

TECHNICAL INFORMATION

Description

Sure Grip "LU" Series Control Grip is our large handle commonly found on forestry, mining and construction machinery. It is designed to offer up to 8 switches in the faceplate as well as the option for up to 2 trigger switches or operator presence switch. An expansion pod can be installed that will be mounted on either side of the handle, for an additional 2 buttons, 1 Slider or 1 Rocker module. A keypad can also be installed on the left or right of the handle for an additional 10 buttons.

The "LU" Series Control Grip can be customized with all the Sure Grip Handle Options such as; Slider modules, Rocker modules, Microjoystick, LED's, toggle switches and maintained switches. Accessories such as bushing adapters, studs and sealed connectors are also available (Please refer to Handle Accessories on website).

The cases are molded from a high impact plastic polymer into a comfortable shape for a rugged and lightweight control handle for extreme duty applications. The standard Sure Grip switches are covered with our patented overlay design.

Standard configurations are available for next day shipping (please contact factory).



Features

- ▶ Sealing up to IP67
- ▶ Rugged design
- ▶ Overlay customizable
- ▶ Switches tested to 10 million operations
- ▶ Multiple trigger options available
- ▶ Supports up to 2 Microjoysticks
- ▶ Supports up to 4 Sliders or Rocker Modules
- ▶ Supports a 10 button keypad
- ▶ Supports up to 8 faceplate switches
- ▶ Supports Expansion Pod, i.e. - Forward/Neutral/Reverse functions

TECHNICAL INFORMATION

MOMENTARY SWITCH SPECIFICATIONS

Switch Options:	Load	Voltage	Operating Temp
Unsealed Standard - IP40	3 A	30 Vdc	-25°C to +85°C
Sealed Switch - IP67	1A	30 Vdc	-40°C to +85°C
Unsealed Gold contact - IP40	100 mA	30 Vdc	-25°C to +85°C
Sealed Gold Switch - IP67	100 mA	30 Vdc	-40°C to +85°C

MAINTAINED SWITCH SPECIFICATIONS

Switch Options:	Load	Voltage	Operating Temp
Push Button	3 A	30 Vdc	-30°C to +85°C

TOGGLE SWITCH SPECIFICATIONS

Switch Options:	Load	Voltage	Operating Temp
Toggle Switches	3 A	30 Vdc	-30°C to +85°C
Functions	On-On / On-Off-On / Mom-Off-Mom / On-Off-Mom		

LED SPECIFICATIONS

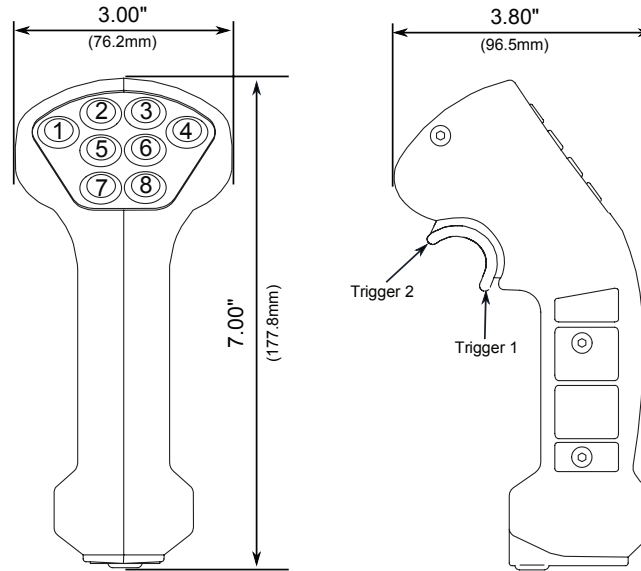
LED Options:	Load	Voltage	Operating Temp
LED	20 mA	5, 12, 24 Vdc	-40°C to +85°C
Colours Available	Red / Green / Tri-colour (R/Y/G)		

CABLE SPECIFICATIONS

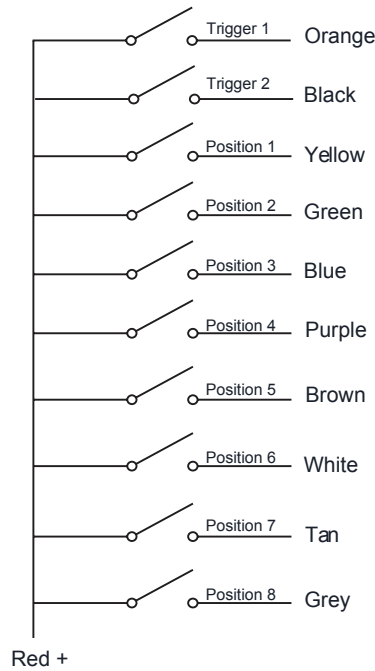
Cable Options:	WR-09B	WR-10B	WR-13B	WR-15B
Conductor	9	10	13	15
Material	Tinned Copper	Tinned Copper	Tinned Copper	Tinned Copper
Strand	19 Twisted	7 Twisted	19 Twisted	7 Twisted
AWG	20	22	22	22
Insulation	SR-PVC	SR-PVC	SR-PVC	SR-PVC
Outer Jacket	PVC FT4	PVC FT4	PVC FT4	PVC FT4
Operating Temperature	-40°C to +105°C	-40°C to +105°C	-40°C to +105°C	-40°C to +105°C

TECHNICAL INFORMATION

Dimensions



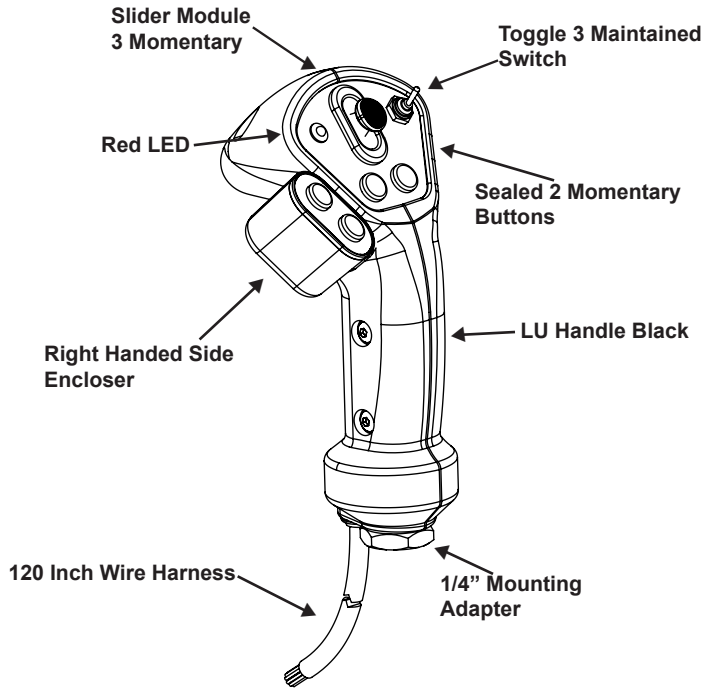
Typical Wiring



EXAMPLE GUIDE

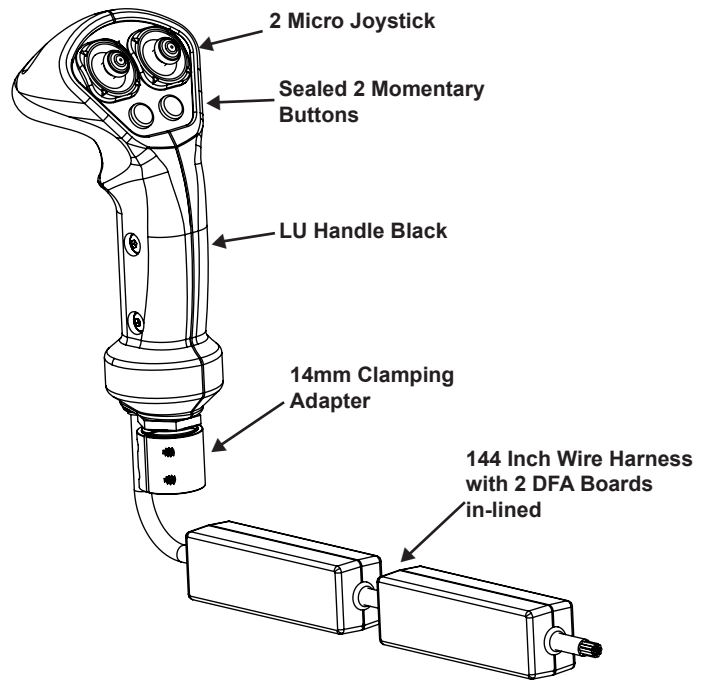
LU Example 1

LU-B-B-NN-FJNDNZAAAA-A-N-N-120-N-N



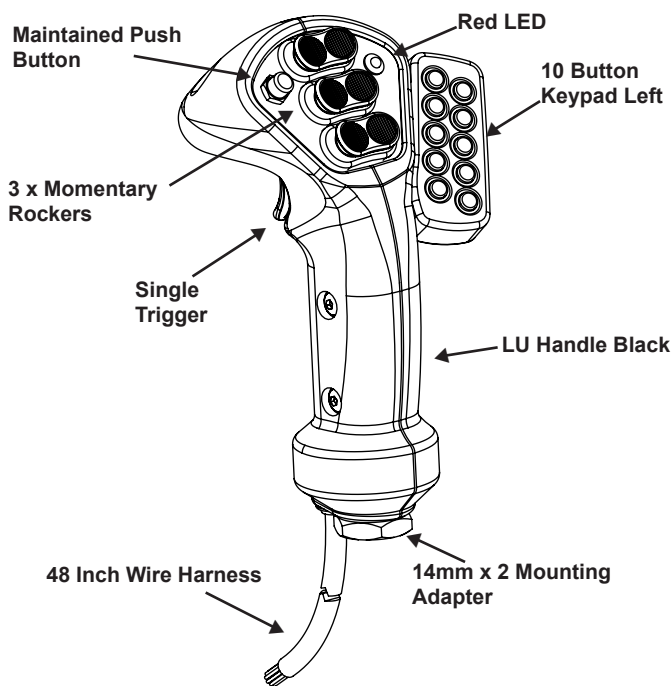
LU Example 2

LU-B-B-NN-VZVZZZAANN-N-Q-N-N-144-A-A



LU Example 3

LU-B-B-SN-BMZFMZMZN-L-G-N-N-048-N-N



LU Example 4

LU-G-A-DN-AAAAAAAAANN-N-B-N-N-120-N-N

