

IZ series

Rear mounted sealed pushbutton switches •
bushing Ø 16 mm • metal • latching



DISTINCTIVE FEATURES

- Rear mounting for easier installation
- Fixed or variable panel thickness
- Sealed to IP67
- Illuminated or non-illuminated
- Flat actuator for optional marking



ENVIRONMENTAL SPECIFICATIONS

- Front panel sealing : IP67 according to IEC 60529
- Shock resistance : 100 g according to IEC 512-4, test 6c
- Vibration resistance : 10-500Hz - 10 g according to IEC 512-4, test 6d
- Salt spray : IEC 512-6, test 11f
- Robustness (non-illuminated) : IK06 according to EN 50102 (1 joule)
- Operating temperature : -40 °C to +85 °C (-40 °F to +185 °F)



ELECTRICAL SPECIFICATIONS

- Max. current/voltage rating with resistive load :
100 mA 48 VDC - 200,000 cycles
- Initial contact resistance : 100 mΩ max.
- Insulation resistance : 1 GΩ min. at 500 VDC
- Dielectric strength : 1,500 Vrms between terminals
1,000 Vrms between terminals and frame



LED COMPONENT SPECIFICATIONS

LED color	Forward current	Typ. forward voltage	Max. forward voltage
Super red (LOS)	20 mA	1.95 V	1.95 V
Yellow (LOY)	20 mA	2 V	2.05 V
Green (LOG)	20 mA	2.1 V	2.5 V
Blue (LOB)	20 mA	3.2 V	4 V

A resistor must be series-connected by the user.
Resistor value = $\frac{\text{supply voltage} - \text{LED forward voltage}}{\text{LED forward current}}$

On flying lead versions, the LED resistor can be integrated by APEM on request.

IZ series

Rear mounted sealed pushbutton switches •
bushing Ø 16 mm • metal • latching

GENERAL SPECIFICATIONS

- Panel thickness :
 - IZM : 3 mm (.118) max.
 - IZN : 4 mm (.157) max.
- Total travel : 2.5 mm (.098) ± 0.3 mm
- Typical operating force : 5 N ± 2 N
- Low level or mechanical life : 200,000 cycles
- Torque : IZN : 1 Nm max.
IZM : 0.7 Nm max. applied to nut
- Soldering : 320 °C (608 °F) max. for 3 sec.

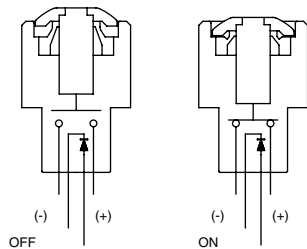
MATERIALS

- Case : thermoplastic UL94-V0
- Plunger : polyamide
- Bushing/bezel : brass, nickel plated
- Contacts : silver, gold plated
- Multi-wire leads AWG20, section 0.6 mm²
- LED wire : AWG26, section 0.12 mm²
- Lens : polycarbonate
- Terminal seal : epoxy

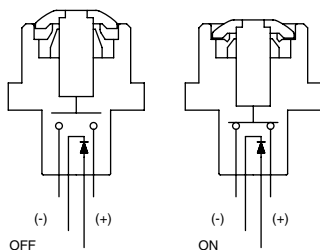
APEM products may be recycled at end-of-life for the re-claiming of valuable metal components.

ELECTRICAL FUNCTIONS

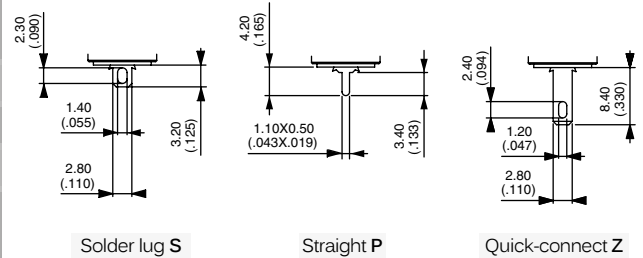
MODELS FOR VARIABLE PANEL THICKNESS (IZM)



MODELS FOR FIXED PANEL THICKNESS (IZN)

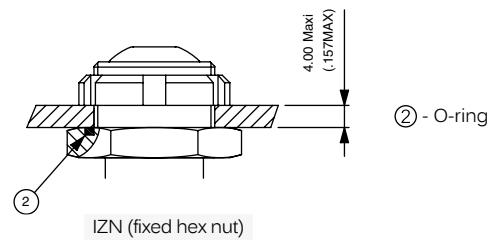
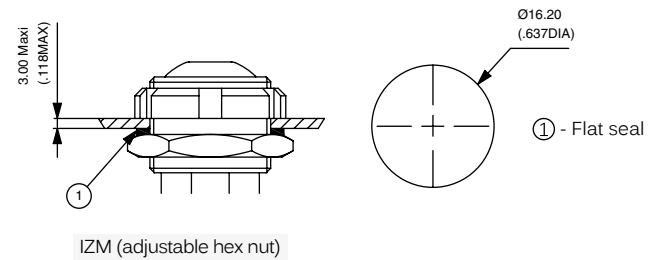


TERMINALS

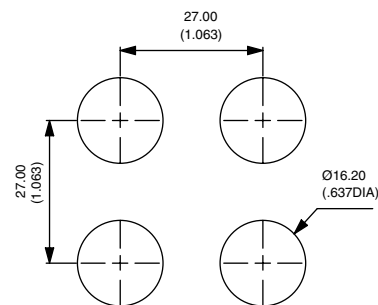


MOUNTING

PANEL CUT-OUT



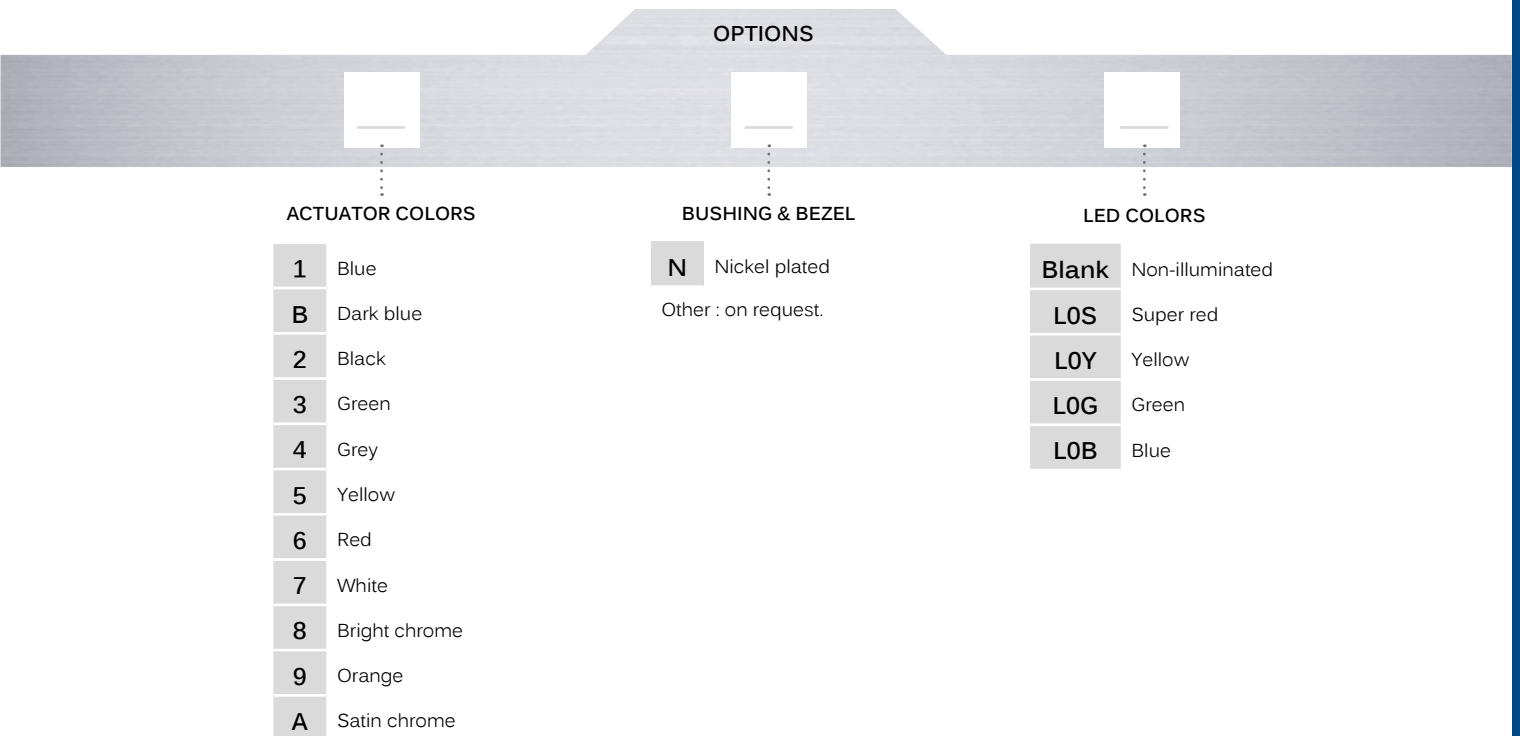
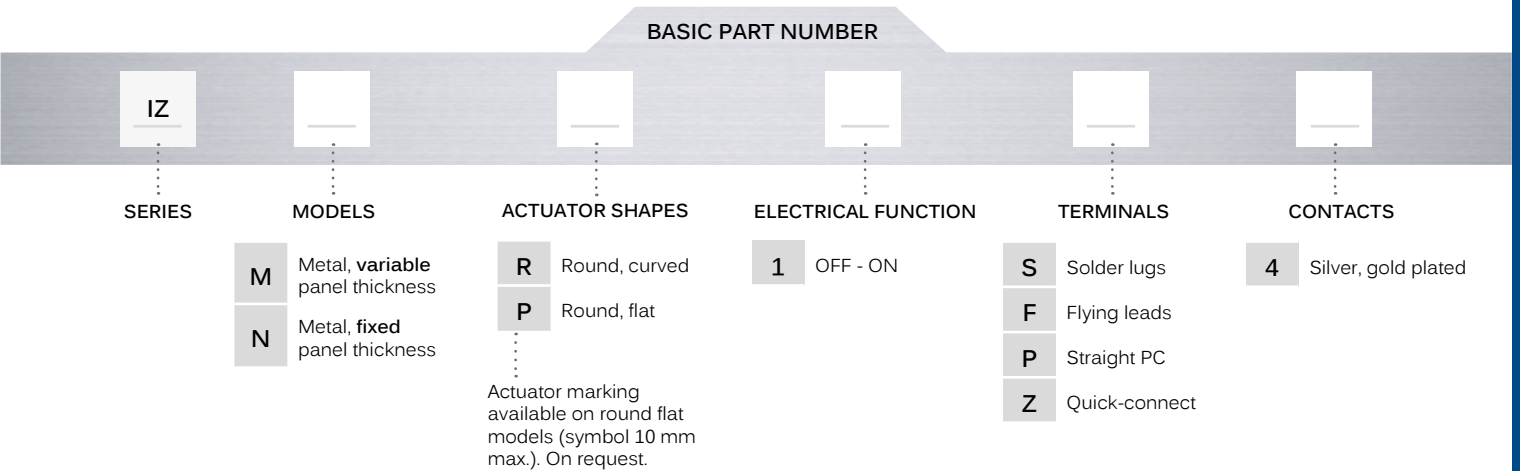
MATRIX MOUNTING



Rear mounted sealed pushbutton switches •
bushing Ø 16 mm • metal • latching



BUILD YOUR PART NUMBER



ABOUT THIS SERIES

On the following pages, you will find successively basic part numbers of switches and options in the same order as in above chart.

- Notice** : please note that not all combinations of above numbers are available. Refer to the following pages for further information.
- A sealing boot** is available to protect the switches against frost and sand. See "Sealing Boots" section of website.
- Mounting accessories** : Standard hardware supplied :
 - IZM : 1 castellated nickel plated brass nut U6915 + 1 silicone flat seal + 1 hex nut 19 mm (.748) across flats 10-621.
 - IZN : 1 castellated nickel plated brass nut U6915 + 1 O-ring
 Wrench tool available under P/N U4028. Order separately.

IZ series

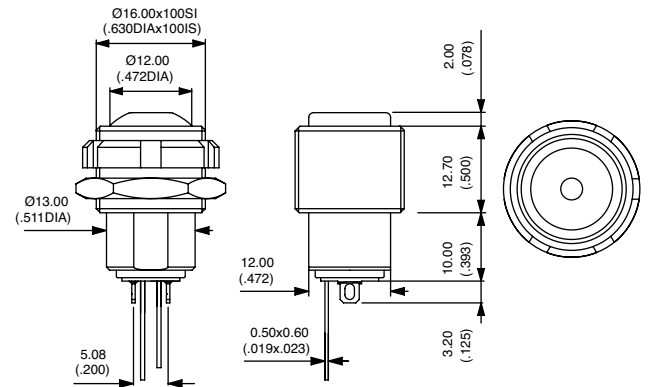
Rear mounted sealed pushbutton switches •
bushing Ø 16 mm • metal • latching

VARIABLE PANEL THICKNESS ILLUMINATED - SOLDER LUG TERMINALS



- Curved actuator
IZMR1S4 OFF - ON
- Flat actuator
IZMP1S4 OFF - ON

Also available with straight PC terminals : **IZM•1P4**
& quick-connect terminals : **IZM•1Z4**.

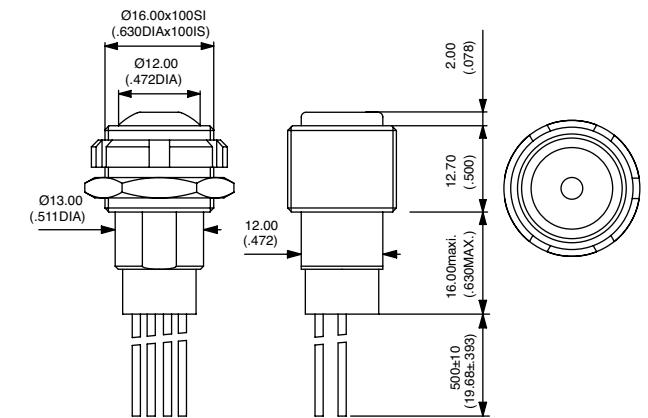


VARIABLE PANEL THICKNESS ILLUMINATED - FLYING LEAD TERMINALS



- Curved actuator
IZMR1F4 OFF - ON
- Flat actuator
IZMP1F4 OFF - ON

Wire colors : black : contact, red : LED anode (+), blue : LED cathode (-)

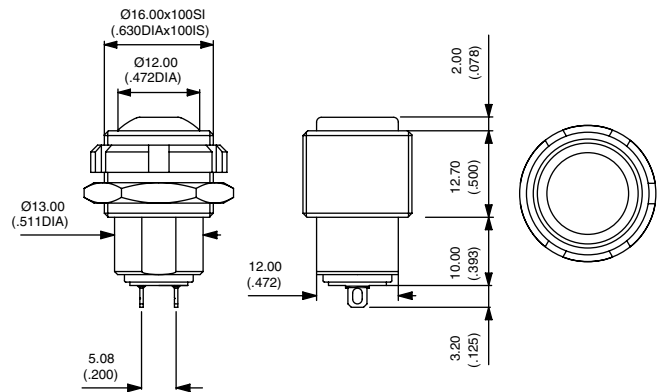


VARIABLE PANEL THICKNESS NON-ILLUMINATED - SOLDER LUG TERMINALS



- Curved actuator
IZMR1S4 OFF - ON
- Flat actuator
IZMP1S4 OFF - ON

Also available with straight PC terminals : **IZM•1P4**
and quick-connect terminals : **IZM•1Z4**.

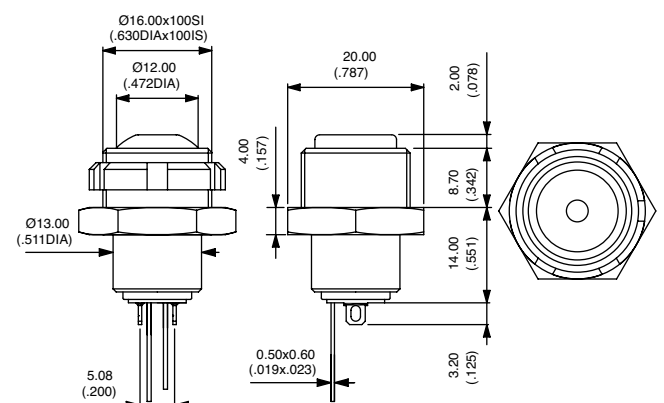


FIXED PANEL THICKNESS ILLUMINATED - SOLDER LUG TERMINALS



- Curved actuator
IZNR1S4 OFF - ON
- Flat actuator
IZNP1S4 OFF - ON

Also available with straight PC terminals : **IZN•1P4**
& quick-connect terminals : **IZN•1Z4**.



Rear mounted sealed pushbutton switches •
bushing Ø 16 mm • metal • latching

FIXED PANEL THICKNESS ILLUMINATED - FLYING LEAD TERMINALS



Curved actuator	IZNR1F4	OFF - ON
Flat actuator	IZNP1F4	OFF - ON

Wire colors : black : contact, red : LED anode (+), blue : LED cathode (-)

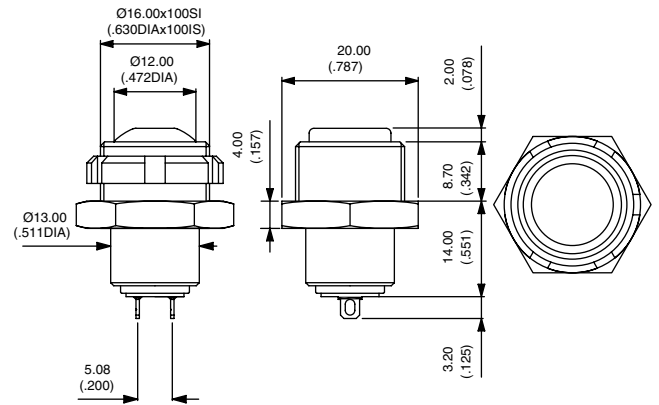
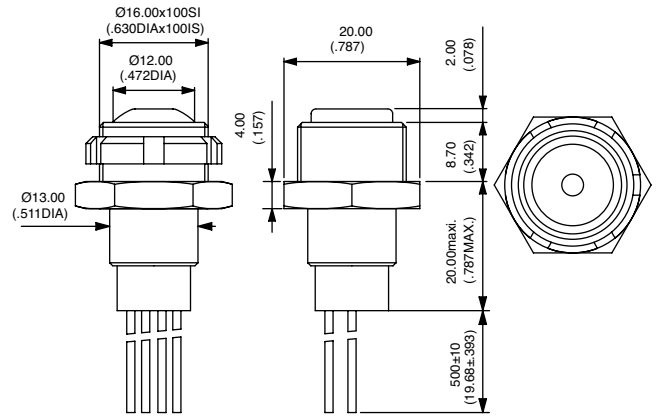
FIXED PANEL THICKNESS NON-ILLUMINATED - SOLDER LUG TERMINALS



Curved actuator	IZNR1S4	OFF - ON
Flat actuator	IZNP1S4	OFF - ON

Also available with straight PC terminals : **IZN•1P4**
and quick-connect terminals : **IZN•314**.

For non-illuminated FLYING LEAD versions, refer to illuminated models
Non-illuminated have 2 wires only.

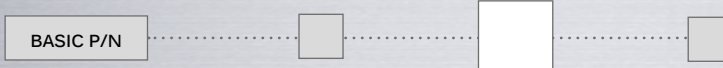


ACTUATOR COLORS



- 1 Blue
- B Dark blue
- 2 Black
- 3 Green
- 4 Grey
- 5 Yellow
- 6 Red
- 7 White
- 8 Bright chrome
- 9 Orange
- A Satin chrome

BUSHING AND BEZEL



N Nickel plated (standard)
Other : on request.

IZ series

Rear mounted sealed pushbutton switches •
bushing Ø 16 mm • metal • latching

LED COLORS



- Blank** Non-illuminated
- LOS** Super Red
- LOY** Yellow
- LOG** Green
- LOB** Blue