

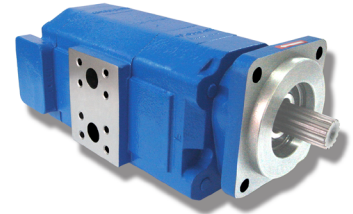


TECHNICAL SPECIFICATIONS



360/460 SERIES

Large displacement sleeve bushing pump and motor



360 PUMP PERFORMANCE CHART

[gpm]

GEAR WIDTH [in]

SPEED [rpm]	GEAR WIDTH [in]											
	1/2	3/4	1	1 1/4	1 1/2	1 3/4	2	2 1/4	2 1/2	2 3/4	3	
900	8.0	10.0	16.0	18.0	21.0	25.0	30.0	35.0	36.0	—	—	
1200	10.0	15.0	19.0	23.0	30.0	35.0	38.0	42.0	45.0	—	—	
1500	12.0	18.0	24.0	30.0	36.0	41.0	45.0	54.0	59.0	—	—	
1800	14.0	21.0	30.0	36.0	42.0	50.0	57.0	63.0	70.0	—	—	
2100	16.0	23.0	36.0	41.0	50.0	58.0	65.0	76.0	82.0	—	—	
2400	19.0	25.0	38.0	48.0	58.0	64.0	74.0	84.0	95.0	—	—	
Max RPM	2400									—	—	
Displacement (in ³)	1.80	2.70	3.60	4.50	5.40	6.30	7.20	8.10	9.00	—	—	
Displacement (cc)	29.50	44.20	59.00	73.70	88.50	103.20	118.00	132.70	147.50	—	—	
Max Operating PSI	3500							3250	3000	—	—	

460 PUMP PERFORMANCE CHART

[gpm]

GEAR WIDTH [in]

SPEED [rpm]	GEAR WIDTH [in]											
	1/2	3/4	1	1 1/4	1 1/2	1 3/4	2	2 1/4	2 1/2	2 3/4	3	
900	—	10.0	16.0	18.0	21.0	—	—	—	—	—	—	
1200	—	15.0	19.0	23.0	30.0	—	—	—	—	—	—	
1500	—	18.0	24.0	30.0	36.0	—	—	—	—	—	—	
1800	—	21.0	30.0	36.0	42.0	—	—	—	—	—	—	
2100	—	23.0	36.0	41.0	50.0	—	—	—	—	—	—	
2400	—	25.0	38.0	48.0	58.0	—	—	—	—	—	—	
Max RPM	—	2400				—	—	—	—	—	—	
Displacement (in ³)	—	2.70	3.60	4.5	5.4	—	—	—	—	—	—	
Displacement (cc)	—	44.20	59.00	73.7	88.5	—	—	—	—	—	—	
Max Operating PSI	—	4500				—	—	—	—	—	—	

SPECIFICATIONS

Series	Type	Frame Size	Displacement	Max RPM	GPM @ 1000RPM	Max PSI
360 / 460	Bushing	Large	1.80-9.00	2400	8-39	3500

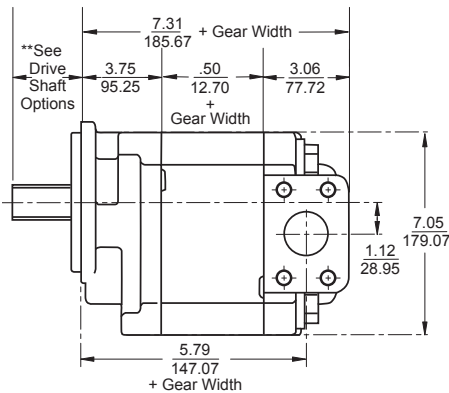
360/460 SERIES

MOTOR PERFORMANCE CHART

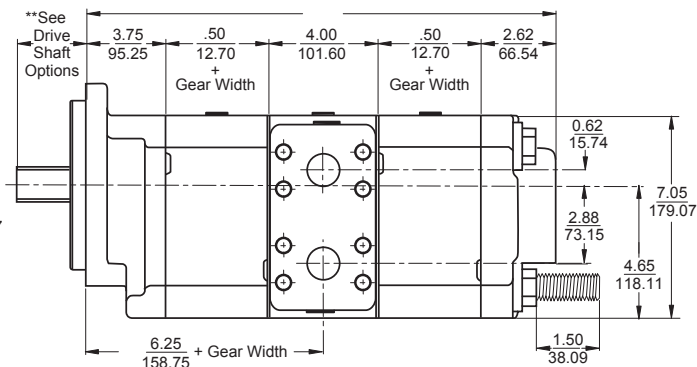
GEAR WIDTH [in]

SPEED [rpm]	1		1 1/4		1 1/2		1 3/4		2		2 1/4		2 1/2	
	Flow (GPM)	Torque (in-lb)	Flow (GPM)	Torque (in-lb)	Flow (GPM)	Torque (in-lb)	Flow (GPM)	Torque (in-lb)	Flow (GPM)	Torque (in-lb)	Flow (GPM)	Torque (in-lb)	Flow (GPM)	Torque (in-lb)
900	18.5	1907	22.2	2393	26	2879	30.2	3365	34.4	3850	37.7	3982	40.9	4114
1200	23.3	1918	28.1	2398	33	2879	38.5	3361	44.1	3843	48.4	3970	52.7	4097
1500	27.9	1910	34.1	2385	40.2	2861	46.9	3339	53.6	3817	59.1	3935	64.5	4053
1800	32.7	1901	40.1	2377	47.5	2853	55.4	3321	63.3	3789	70	3900	76.8	4011
2100	37.6	1890	46.1	2362	54.6	2834	63.6	3294	72.6	3753	80.7	3867	88.8	3981
2400	42.5	1881	52.3	2349	62	2817	72.2	3274	82.3	3731	91.7	3848	101.1	3964
PSI	3500						3250						3000	

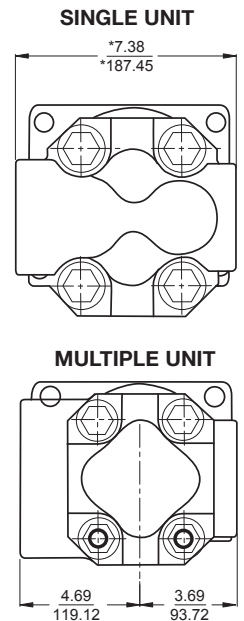
DIMENSIONAL DATA



SINGLE UNIT



MULTIPLE UNIT



SINGLE UNIT

MULTIPLE UNIT

DISCLAIMER Consult your Permco Representative or the factory for operation below 600 or above 2400 RPM and temperatures above 180° F. Oil Viscosity: 150 SUS (32.1 cSt.) at 100° F (37.8° C) | Oil Temperature: 150° F (65.5° C)



1500 Frost Road P.O. Box 2068
 Streetsboro, Ohio 44241
 Phone 330.626.2801 • Fax 330.626.2805

support@permco.com • www.permco.com
 twitter: @permco
 facebook: www.facebook.com/permco