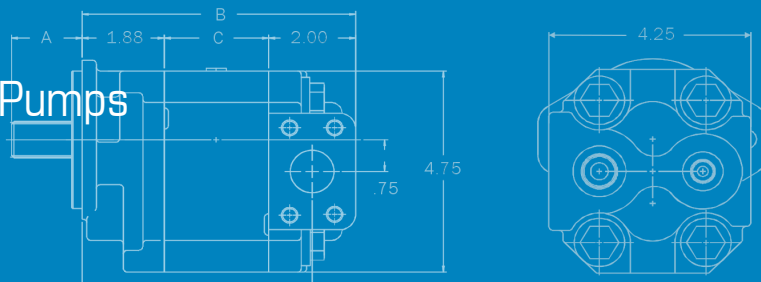


Medium Displacement Sleeve Bushing Pumps

257 SERIES

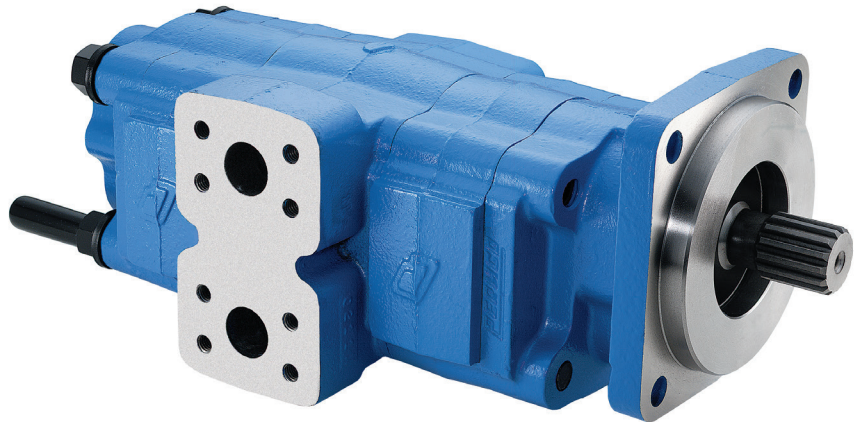


Precision-Engineered Fluid Power Products

The Sensible Choice for Pumps & Motors

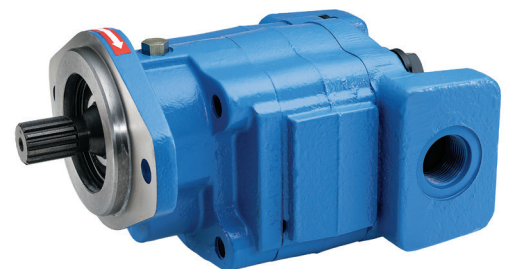


Big Winches
Cranes
Mobile Crushers &
Screens



Features

- Heavy duty sleeve bushing design in a medium frame size
- Working pressure up to 4500 PSI
- Cubic inch displacements from 1.29 through 6.43
- Speeds up to 2400 RPM
- Flows up to 65 GPM
- Doweled and high strength cast iron construction
- High strength alloy steel gear and shaft sets
- NPT & SAE ports are available
- Pressure balanced wear plates maintain high pump efficiency throughout all operating ranges
- Both single inlet/single outlets and single inlet/dual outlet bearing carriers
- 100% factory tested

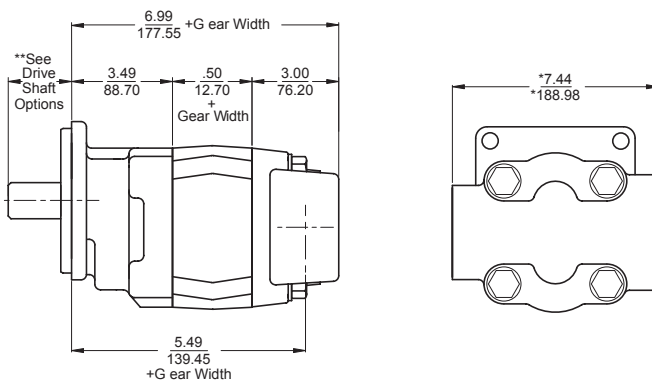




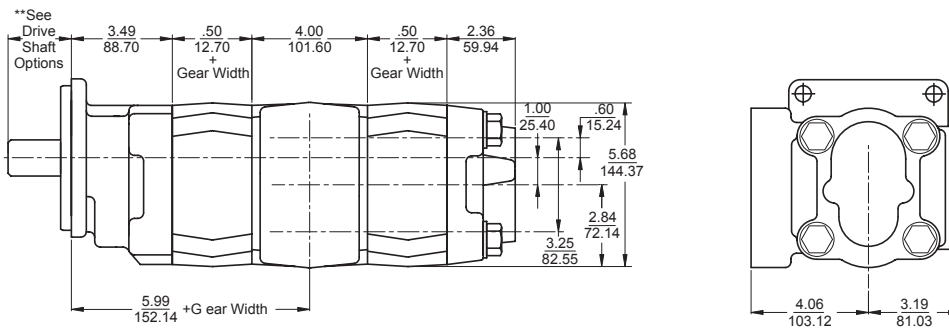
Pumps & Motors

Dimensional Data (inches)

SINGLE UNIT



MULTIPLE UNIT



Permco is a leading manufacturer of high-pressure hydraulic gear/vane pumps and motors, flow dividers, intensifiers, and accessories. Available in a wide variety of sizes and configurations to suit your application needs.

Product Information

Pump / Motor

Gear Size	Displ Cu.In	Theo. GPM 1000 RPM	Max RPM	Max PSI
0.50	1.28	5.5	2400	4500
0.75	1.92	8.3	2400	4500
1.00	2.56	11.1	2400	4500
1.25	3.20	13.9	2400	4500
1.50	3.84	16.6	2400	3500
1.75	4.48	19.4	2400	3250
2.00	5.12	22.2	2400	3000
2.25	5.76	24.9	2400	2750
2.50	6.40	27.7	2400	2500

Our Online Support is available 24/7/365 for your needs!

Email: support@permco.com

Call: (800) 626.2801



www.permco.com



Permco USA | 1500 Frost Road | P. O. Box 2068 | Streetsboro, Ohio 44241

