

REV	ECR#	DESCRIPTION	DATE	BY	APP'D
A	E	DRAWN	2-19-2013	WGS	—

NOTES:

- SUPPLY VOLTAGE: (Vs) 5-30 VDC  
OPERATIONAL VOLTAGE: 5-27 VDC  
SUPPLY CURRENT: (Is) 13.5 mA MAX  
REVERSE POLARITY PROTECTION
- SWITCHING FREQUENCY: 0 TO 15 KHZ  
OUTPUT: OPEN COLLECTOR (NO INTERNAL PULL-UP RESISTOR,  
470 ohm SERIES OUTPUT RESISTOR)

NOMINAL AIR GAP: 3mm (VARIES WITH TARGET AND SPEED)

- OPERATING TEMPERATURE: -40° TO 85°C

- 18 AWG, GXL WIRE

BLACK: GROUND

RED: V+

WHITE: OUTPUT

CONVOLUTED TUBE USE TO PROTECT WIRES

- DEUTSCH DT SERIES CONNECTOR

CONNECTOR: DT04-3P

WEDGE: W3P

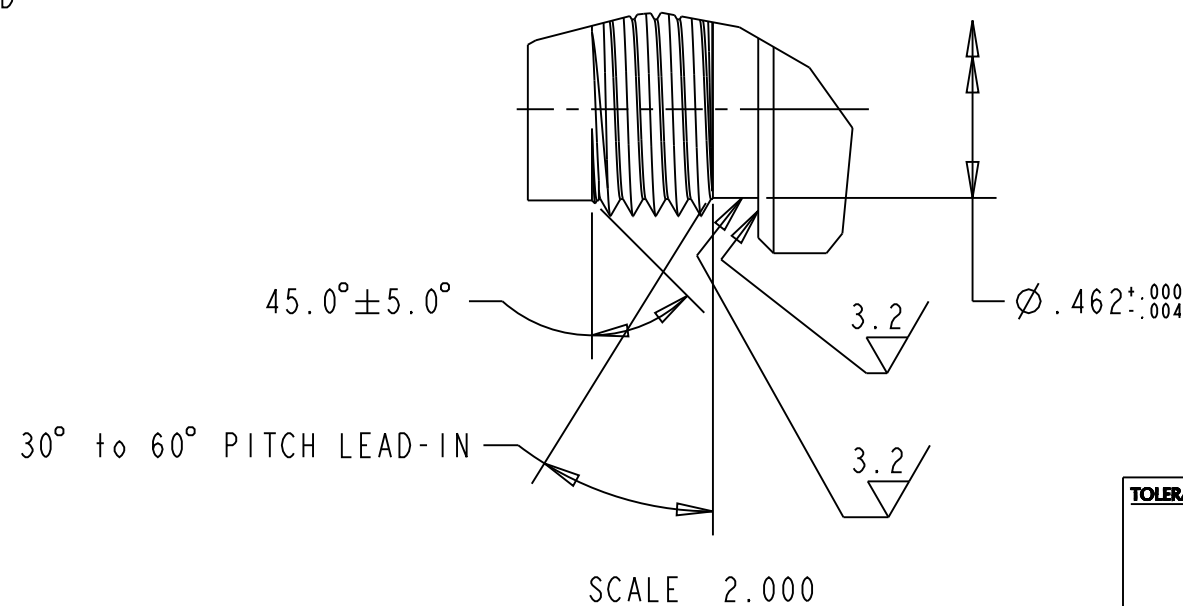
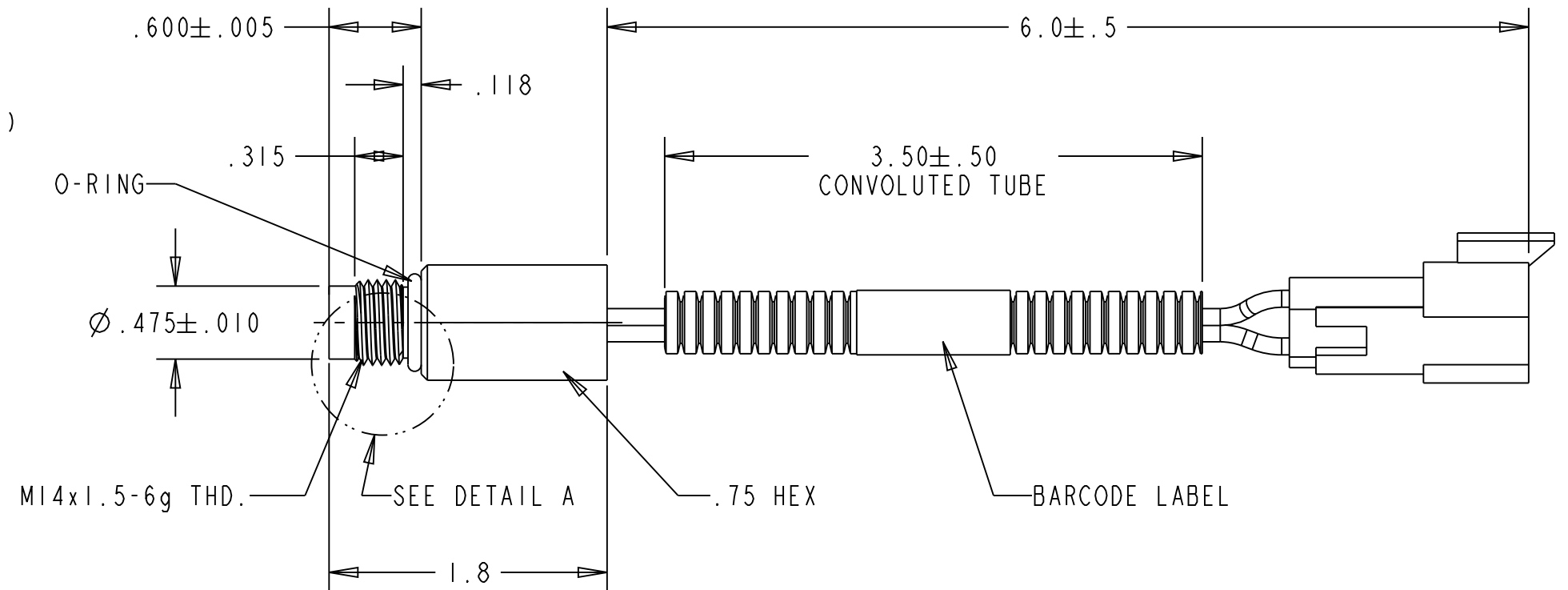
PIN (X3): 0460-202-16141

- HOUSING MATERIAL SHALL BE 303 STAINLESS STEEL.

- ELECTRONIC COMPONENTS ENCAPSULATED IN EPOXY.

- ASSEMBLY TO BE SUPPLIED WITH BUNA O-RING

- SENSORS TO BE IDENTIFIED WITH PARKER P/N AND DATE CODE, FORMAT TO BE: "YYWW".



\*\*\* Approved for Release \*\*\*

TOLERANCES UNLESS OTHERWISE SPECIFIED

0 ± .25"
.0 ± .05"
.00 ± .02"
.000 ± .010"
ANG ± 1°

**Parker** Electronic Controls Division  
Sensor Business Unit

DATE: 2-19-2013	BY: WGS	CH: DEP
TOOLING REV: N/A	MATERIAL: SEE NOTES	
TITLE: VA HS 46MM LG .75 HEX M14 SP SEN GS70		
PROJ. NO: 1416	SIZE: B	DWG NO: 154877-CL
REV: A	SHEET: 1 OF 1	

- ⊗ - CRITICAL SYMBOL
- △ - LATEST REVISION SYMBOL
- ⊕ - INSPECTION SYMBOL

FORM NO. OC 188 7/24/09