



aerospace
climate control
electromechanical
filtration
fluid & gas handling
hydraulics
pneumatics
process control
sealing & shielding



IQAN-TOC8 I/O Modules

Electronic Control Systems



ENGINEERING YOUR SUCCESS.

GS Global Resources • 1-800-261-8735 • gsglobalresources.com
926 Perkins Drive, Mukwonago, WI 53149

© GS GLOBAL RESOURCES, INC. ALL RIGHTS RESERVED.

Application

IQAN-TOC8 is from the same family as the "rugged" generation of expansion modules in the IQAN product group. These modules focus on flexibility, weather resistance and safety.

IQAN-TOC8 is a general purpose controller and communicates with a variety of input and output devices. It connects to a laptop PC and is programmed with IQANdevelop software. No Master module is required. It has proportional current outputs for valve control, digital/PWM outputs for auxiliary functions and analog/digital inputs for signals like pressure, RPM or temperature. The unit has a CAN hub designed to interface with a SAE J1939 network.

Properties

Flexibility

The IQAN-TOC8 has a flexible I/O interface. The same physical pin can be used for different types of I/O. Various types of I/O such as digital and PWM outputs increase the flexibility of the controller. The digital outputs have useful features such as softstart and peak & hold.

Weather resistance

The aluminum housing is designed to be rugged, but light. The IQAN-TOC8 has a membrane to prevent condensation inside the housing. This control is designed for the outdoor environment.

Safety

The unit executes a self-test during start up and cyclic operation. An internal watch dog checks for software errors and will interrupt outputs if errors are detected. Error conditions are displayed by coded flashes of the status LED. All inputs are protected against EMI and voltage transients. Automotive connectors are used that fulfill mobile equipment mechanical and electrical demands.

General

Weight	0.7 Kg
Operating temperature	-40 to +70 °C
Protection	outdoor use
Voltage supply	9 - 34 Vdc
Current consumption (idle)	180 mA (28 Vdc) 170 mA (14 Vdc)
Data interface	RS232 using IQANdevelop
CAN hub	J1939 or other byte-aligned CAN protocol

Outputs

Proportional current outputs	
Number	2 double
Signal range	60 - 1800 mA
Dither frequency	25 - 150 Hz
Dither amplitude	0 - 500 mA
Resolution	0.7 mA
Digital/ PWM (no current feedback) outputs ¹⁾	
Number	6 / 3 double PWM
Type	high side switch
Max load	3 A
PWM frequency	25 - 2000 Hz

Inputs

Voltage/ Frequency inputs ²⁾	
Number	10 / 4
Signal range	0 - 5 Vdc
Resolution	5 mV
Frequency range	2-10000 Hz

1) *The Digital and PWM outputs share the same physical pins. By configuring the channels with IQANdevelop, the user defines the pins as (6) Digital outputs or as (3) double PWM outputs.*

2) *The voltage and frequency inputs share the same physical pins. By configuring the channels with IQANdevelop, the user defines the pins as voltage in or frequency.*

Ordering part number

IQAN-TOC8	5010024
-----------	---------

Environmental Protection

EMI

ISO 11452-2 (immunity vs EM field)
ISO 14982 (radiated emission)
ISO 11452-4 (immunity vs injected RF)
ISO 7637-2 (immunity vs supply transients)

ESD

EN 61000-4-2 (external)

Mechanical environment

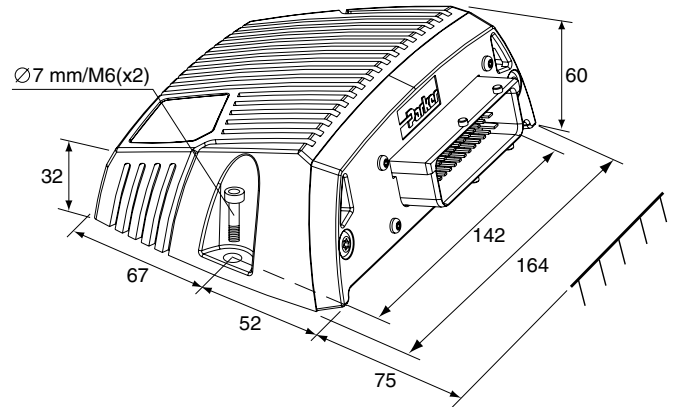
IEC 68-2-64 Fh (random, 10- 250 Hz)
IEC 68-2-27 Es (shock, 11ms)
IEC 68-2-29 Eb (bump, 6ms)

Climate environment

IEC 68-2-18 Rb3 (water)
IEC 68-2-30 Db (var1, damp, cyclic)
IEC 68-2-3 Ca (damp, heat steady state)
IEC 68-2-2 Bb (heat)
IEC 68-2-1 Ab (cold)
IEC 68-2-14 Nb (change of temperature)

Chemical environment

IEC 68-2-52 Kb (salt mist, cyclic)



unit = mm

WARNING

FAILURE OR IMPROPER SELECTION OR IMPROPER USE OF THE PRODUCTS AND/OR SYSTEMS DESCRIBED HEREIN OR RELATED ITEMS CAN CAUSE DEATH, PERSONAL INJURY AND PROPERTY DAMAGE.

This document and other information from Parker Hannifin Corporation, its subsidiaries and authorized distributors provide product and/or system options for further investigation by users having technical expertise. It is important that you analyze all aspects of your application, including consequences of any failure, and review the information concerning the product or system in the current product catalogue. Due to the variety of operating conditions and applications for these products or systems, the user, through its own analysis and testing, is solely responsible for making the final selection of the products and systems and assuring that all performance, safety and warning requirements of the application are met.

The products described herein, including without limitation, product features, specifications, designs, availability and pricing, are subject to change by Parker Hannifin Corporation and its subsidiaries at any time without notice.

Offer of Sale

Please contact your Parker representation for a detailed "Offer of Sale".

Parker Worldwide

Europe, Middle East, Africa

AE – United Arab Emirates, Dubai

Tel: +971 4 8127100
parker.me@parker.com

AT – Austria, Wiener Neustadt

Tel: +43 (0)2622 23501-0
parker.austria@parker.com

AT – Eastern Europe, Wiener Neustadt

Tel: +43 (0)2622 23501 900
parker.easteurope@parker.com

AZ – Azerbaijan, Baku

Tel: +994 50 2233 458
parker.azerbaijan@parker.com

BE/LU – Belgium, Nivelles

Tel: +32 (0)67 280 900
parker.belgium@parker.com

BY – Belarus, Minsk

Tel: +375 17 209 9399
parker.belarus@parker.com

CH – Switzerland, Etoy

Tel: +41 (0)21 821 87 00
parker.switzerland@parker.com

CZ – Czech Republic, Klecany

Tel: +420 284 083 111
parker.czechrepublic@parker.com

DE – Germany, Kaarst

Tel: +49 (0)2131 4016 0
parker.germany@parker.com

DK – Denmark, Ballerup

Tel: +45 43 56 04 00
parker.denmark@parker.com

ES – Spain, Madrid

Tel: +34 902 330 001
parker.spain@parker.com

FI – Finland, Vantaa

Tel: +358 (0)20 753 2500
parker.finland@parker.com

FR – France, Contamine s/Arve

Tel: +33 (0)4 50 25 80 25
parker.france@parker.com

GR – Greece, Athens

Tel: +30 210 933 6450
parker.greece@parker.com

HU – Hungary, Budapest

Tel: +36 1 220 4155
parker.hungary@parker.com

IE – Ireland, Dublin

Tel: +353 (0)1 466 6370
parker.ireland@parker.com

IT – Italy, Corsico (MI)

Tel: +39 02 45 19 21
parker.italy@parker.com

KZ – Kazakhstan, Almaty

Tel: +7 7272 505 800
parker.easteurope@parker.com

NL – The Netherlands, Oldenzaal

Tel: +31 (0)541 585 000
parker.nl@parker.com

NO – Norway, Asker

Tel: +47 66 75 34 00
parker.norway@parker.com

PL – Poland, Warsaw

Tel: +48 (0)22 573 24 00
parker.poland@parker.com

PT – Portugal, Leca da Palmeira

Tel: +351 22 999 7360
parker.portugal@parker.com

RO – Romania, Bucharest

Tel: +40 21 252 1382
parker.romania@parker.com

RU – Russia, Moscow

Tel: +7 495 645-2156
parker.russia@parker.com

SE – Sweden, Spånga

Tel: +46 (0)8 59 79 50 00
parker.sweden@parker.com

SK – Slovakia, Banská Bystrica

Tel: +421 484 162 252
parker.slovakia@parker.com

SL – Slovenia, Novo Mesto

Tel: +386 7 337 6650
parker.slovenia@parker.com

TR – Turkey, Istanbul

Tel: +90 216 4997081
parker.turkey@parker.com

UA – Ukraine, Kiev

Tel: +380 44 494 2731
parker.ukraine@parker.com

UK – United Kingdom, Warwick

Tel: +44 (0)1926 317 878
parker.uk@parker.com

ZA – South Africa, Kempton Park

Tel: +27 (0)11 961 0700
parker.southafrica@parker.com

North America

CA – Canada, Milton, Ontario

Tel: +1 905 693 3000

US – USA, Cleveland

(industrial)
Tel: +1 216 896 3000

US – USA, Elk Grove Village

(mobile)
Tel: +1 847 258 6200

Asia Pacific

AU – Australia, Castle Hill

Tel: +61 (0)2-9634 7777

CN – China, Shanghai

Tel: +86 21 2899 5000

HK – Hong Kong

Tel: +852 2428 8008

IN – India, Mumbai

Tel: +91 22 6513 7081-85

JP – Japan, Fujisawa

Tel: +81 (0)4 6635 3050

KR – South Korea, Seoul

Tel: +82 2 559 0400

MY – Malaysia, Shah Alam

Tel: +60 3 7849 0800

NZ – New Zealand, Mt Wellington

Tel: +64 9 574 1744

SG – Singapore

Tel: +65 6887 6300

TH – Thailand, Bangkok

Tel: +662 717 8140

TW – Taiwan, Taipei

Tel: +886 2 2298 8987

South America

AR – Argentina, Buenos Aires

Tel: +54 3327 44 4129

BR – Brazil, Sao Jose dos

Campos
Tel: +55 12 4009 3500

CL – Chile, Santiago

Tel: +56 2 623 1216

MX – Mexico, Apodaca

Tel: +52 81 8156 6000

VE – Venezuela, Caracas

Tel: +58 212 238 5422

Ed. 2010-11-30

EMEA Product Information Centre

Free phone: 00 800 27 27 5374

(from AT, BE, CH, CZ, DE, DK, EE, ES, FI, FR, IE, IL, IS, IT, LU, MT, NL, NO, PL, PT, RU, SE, SK, UK, ZA)

US Product Information Centre

Toll-free number: 1-800-27 27 537

www.parker.com

Your local authorized Parker distributor

