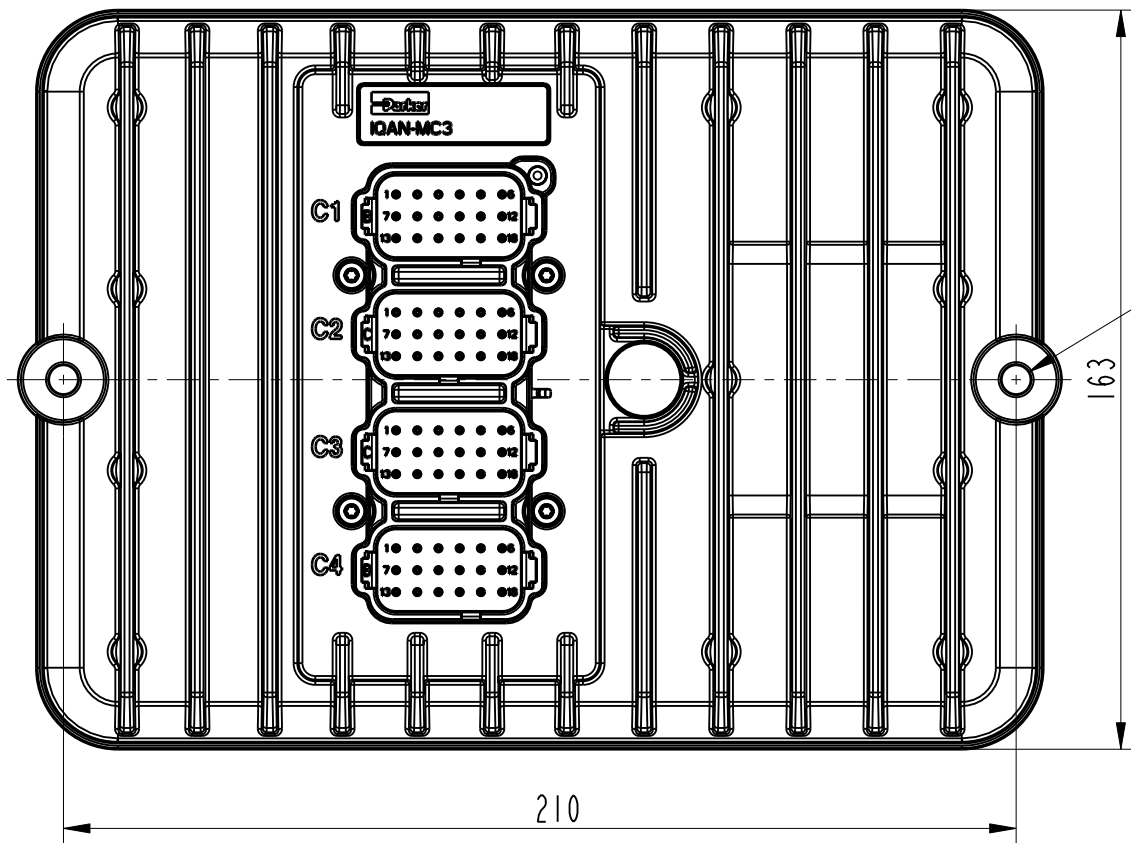
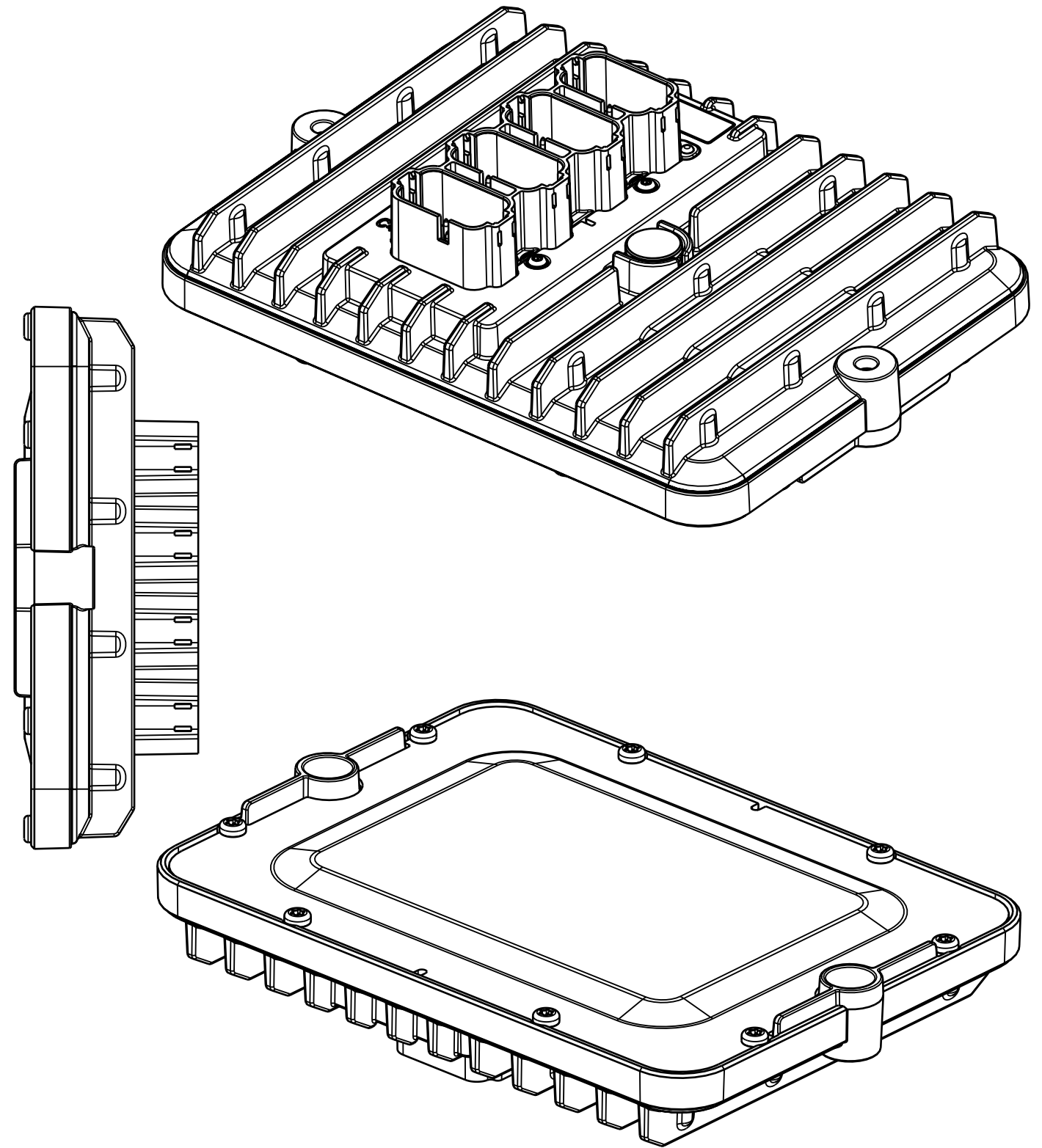
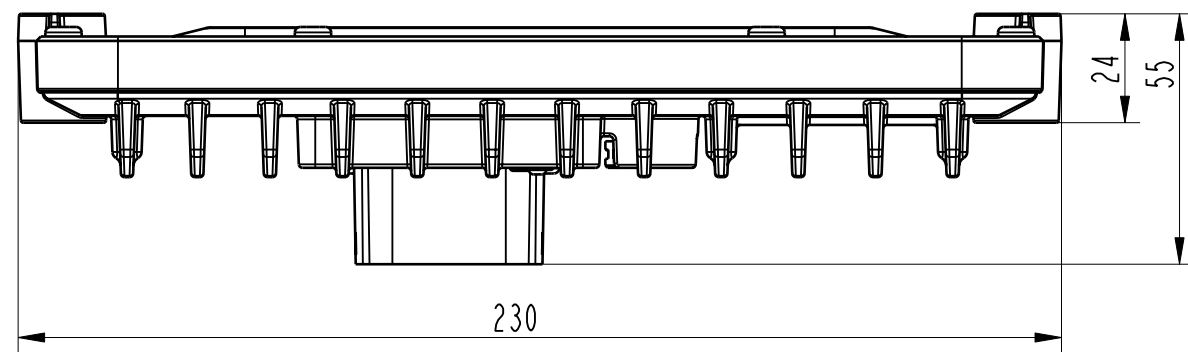


NOTICE. THIS DOCUMENT CONTAINS PROPRIETARY INFORMATION AND SHALL NOT BE USED OR ITS CONTENTS DISCLOSED, IN WHOLE OR IN PART, WITHOUT THE PRIOR WRITTEN CONSENT OF PARKER HANNIFIN AB.



Ø 6,5 (2x)



Skala/Scale 3:5 Projection	Artikelnamn IQAN-MC3	Ritad för/Drawn for IQAN-MC3
0 10 20 30 40 50 Symboler, beteckningar och allmänt ritsätt Symbols, designations and general dwg methods Volvo STD 101-0005 and 5023,503	Part Title IQAN-MC3	Utförd av/Issued by 3310B/SJ
Ägare prod-enh/ Owner, prod unit Parker Hannifin AB MCD Mle	Dokumenttyp/Document Type Smst/Assy	Giltighet/Validity In Design -
Ritning nummer/Drawing number (Art-nr/Part no) IQAN-MC3		Utg/Issue Blad/Sht D 1 (1) 20090901