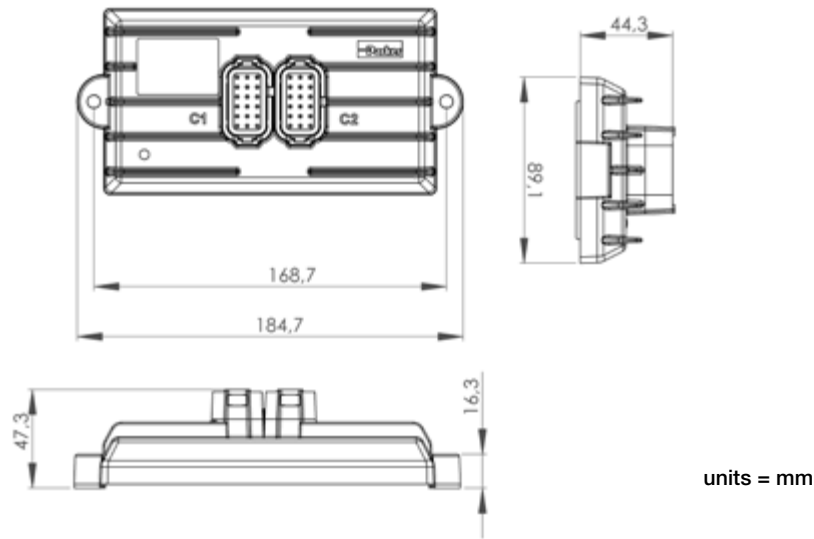


Mounting dimensions



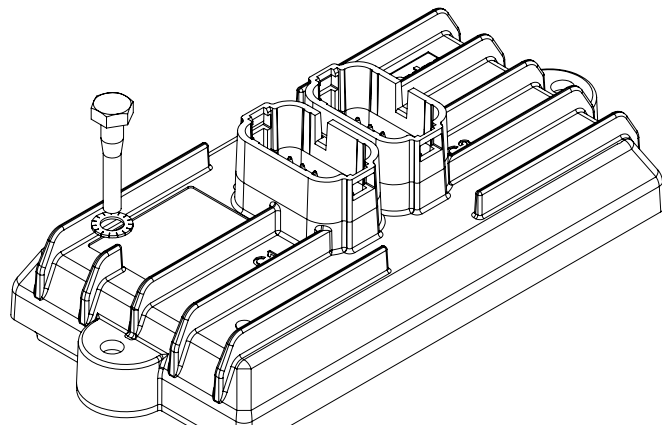
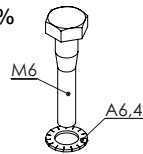
units = mm

NOTICE

The torque recommendation is for information only. The exact value for the installation must be determined by customer tests.

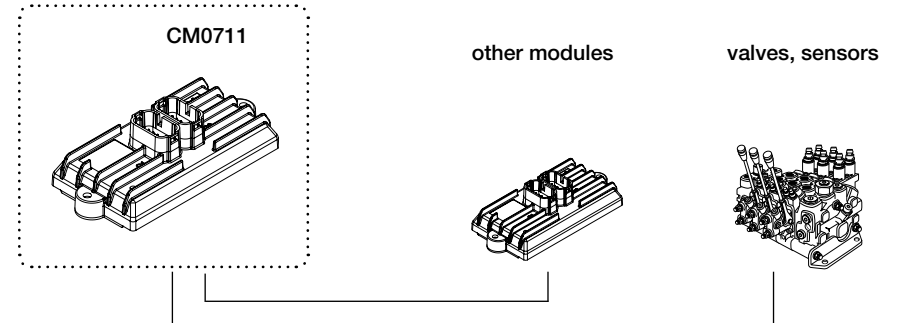
- Screws and washers are to be supplied by the customer.

Tt = 9 Nm ±10%



Installation CM0711

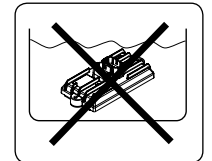
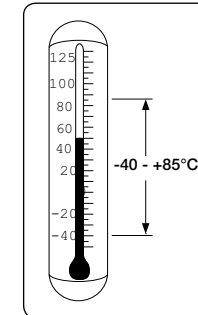
Publ.no: HY33-4201-IS/UK
Ed. 08/2017



NOTICE

Connectors must be properly installed to meet environmental specification.

- Sealing plugs must be inserted in all unused pin positions.
- All connectors must be installed.



WARNING

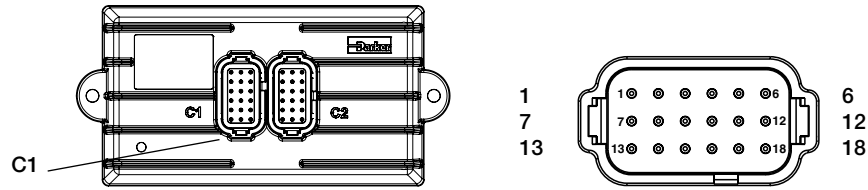
FAILURE OR IMPROPER SELECTION OR IMPROPER USE OF THE PRODUCTS AND/OR SYSTEMS DESCRIBED HEREIN OR RELATED ITEMS CAN CAUSE DEATH, PERSONAL INJURY AND PROPERTY DAMAGE.

This document and other information from Parker Hannifin Corporation, its subsidiaries and authorized distributors provide product and/or system options for further investigation by users having technical expertise. It is important that you analyze all aspects of your application, including consequences of any failure, and review the information concerning the product or system in the current product catalogue. Due to the variety of operating conditions and applications for these products or systems, the user, through its own analysis and testing, is solely responsible for making the final selection of the products and systems and assuring that all performance, safety and warning requirements of the application are met.

The products described herein, including without limitation, product features, specifications, designs, availability and pricing, are subject to change by Parker Hannifin Corporation and its subsidiaries at any time without notice.

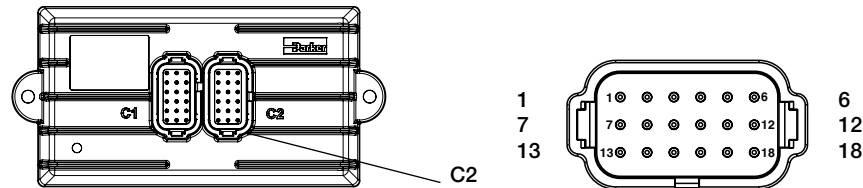


Eng.no:



Pin	Signal/Function	Pin	Signal/Function	Pin	Signal/Function
1	IGNITION_INPUT	7	BOOTMODE	13	ADDR_H
2	CAN2_SHLD	8	NO_CONNECT	14	ADDR_L
3	CAN2_HI	9	CAN2_LO	15	-VBATT (GND)
4	CAN1_LO	10	CAN1_HI	16	-VBATT (LSO ground)
5	CAN1_SHLD	11	SENSOR_GND	17	+VBATT (HSO supply)
6	SENSOR_SUPPLY (+5V)	12	+VBATT (SUPPLY)	18	+VBATT (HSO supply)

Mating connector: Housing, Deutsch DT16-18SB;
 Terminals, Deutsch 1062-16-0122 (dependent on wire size);
 Sealing plugs, 114017



Pin	Signal/Function	Pin	Signal/Function	Pin	Signal/Function
1	LS_OUTPUT1	7	LS_OUTPUT4	13	LS_OUTPUT3
2	LS_OUTPUT2	8	ANALOG_INPUT1	14	HS_OUTPUT7
3	ANALOG_INPUT2	9	FREQ_INPUT1	15	HS_OUTPUT5
4	ANALOG_INPUT5	10	FREQ_INPUT2	16	HS_OUTPUT6
5	HS_OUTPUT2	11	ANALOG_INPUT3	17	HS_OUTPUT3
6	HS_OUTPUT1	12	ANALOG_INPUT4	18	HS_OUTPUT4

Mating connector: Housing, Deutsch DT16-18SC;
 Terminals, Deutsch 1062-16-0122 (dependent on wire size);
 Sealing plugs, 114017

Connector kit: Parker ordering no.: CM Controllers Accessories (Catalogue HY33-4910/UK)

Address (IDtag) input: 1
 Input voltage range: 0 - 3.3 V

The address IDtag shall be connected to addressing IDtag supply pin and address input pin. Do not use any external sensors or external voltage on these pins.

Id-Tag (Address units) Deutch terminals

Address	Parker ordering number ¹	Resistance (ohms)
0	20085050	294
1	20085051	590
2	20085052	976
3	20085053	1.5K
4	20085054	2.23K
5	20085055	3.36K
6	20085056	5.3K
7	20085057	9.53K

¹ Ordered in 10-pack only, use Parker ordering number.
 Check the latest order information from IQAN Accessories (Catalogue HY33-8319/UK) always before placing an order.

Prototype installation cables

	Description	Parker ordering number ¹
C1	Cable 2,5 meters, black, key B	5030217
C2	Cable 2,5 meters, black, key C	5030218

¹ Check the latest order information from IQAN Accessories (Catalogue HY33-8319/UK) always before placing an order.

