



CONTROLS INC.

CERTIFIED ISO 9001

CERT # US - 1892a



MG Multi-Grip Handles

- **Feature Packed**
- **Customized Configurations**
- **Ergonomic Designs**
- **Easy Installation**
- **Rugged, Weatherproof Construction**
- **Highly Serviceable**

The **MG Multi-Grip Handles** from OEM Controls are universal “grip” handles that can be customized with combinations of potentiometers, rocker switches and push buttons. These rugged handles are built to withstand exposure to harsh environmental conditions and to meet the exacting requirements of a wide variety of applications. OEM Controls emphasizes ergonomic factors in the MG Multi-Grip Handles, optimizing comfort, convenience, performance and serviceability features.

Typical Contact Ratings and Specifications:

Contact Ratings: 5A 250 VAC or 2A 30 VDC

Push Buttons: SPST

Rocker Switch: SPST N.O. (Maintained or momentary)

Potentiometers: 10K Ohm (CT) or 5K Ohm (non-CT); 5 watt, max current 1mA

Available With Hall Effect Micro-Controllers (For more information, contact OEM Controls)

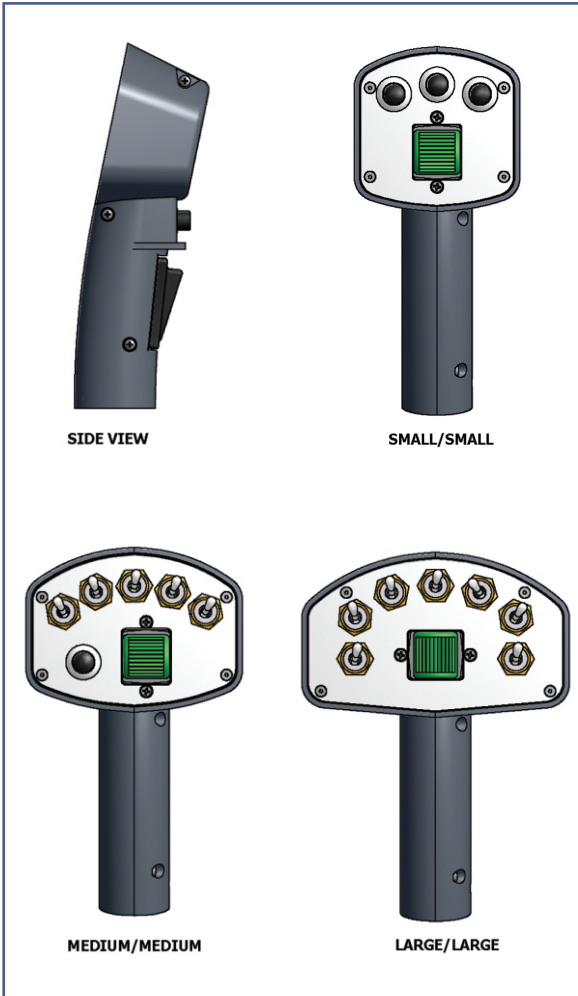
Note: Ratings and specifications listed are for general information only. For information on specific handle and component configuration, contact OEM Controls.

⚠ WARNING: It is the purchaser's responsibility to determine the suitability of any OEM Controls product for an intended application, and to insure that it is installed and guarded in accordance with all federal, state, local and private safety and health regulations, codes and standards.

Due to the unlimited variety of machines, vehicles and equipment on which our controls are used, and the numerous standards which are frequently the subject of varying interpretation, it is impossible for OEM Controls personnel to provide expert advice regarding the suitability of a given controller for a specific application. The flexibility of our products allows us to offer thousands of custom configurations. We can advise you of the various features that are available and you can examine models to see what meets your needs. We believe our customers' engineering departments should be the qualified experts in their own product field. If the product will be used in a safety critical application, the customer must undertake appropriate testing and evaluation to prevent injury to the ultimate user.

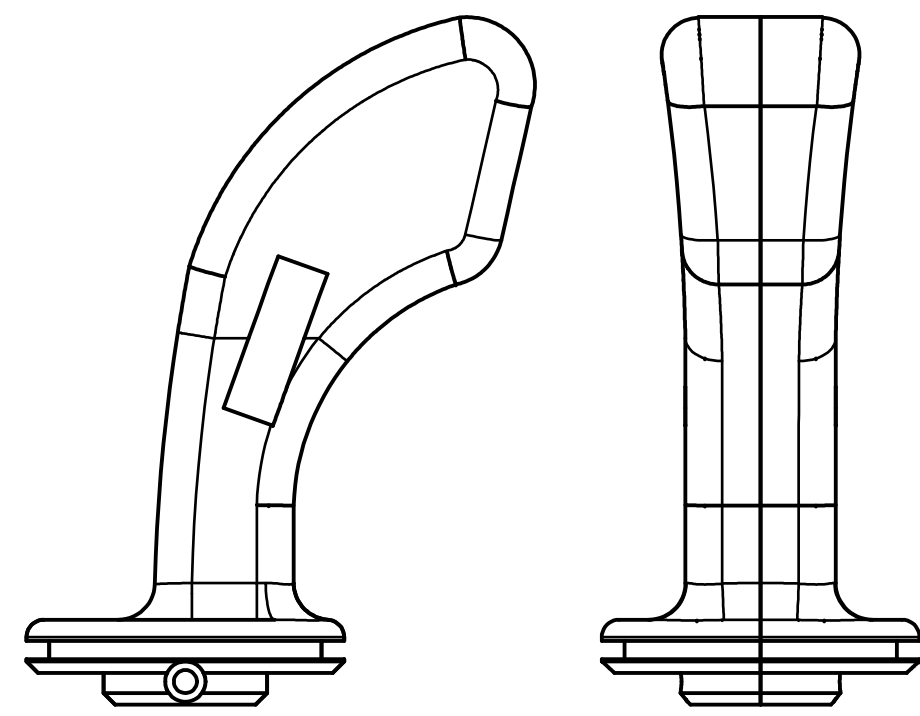
Should you have any questions or if any of the above warning is unclear, please contact OEM Controls at 10 Controls Drive, Shelton, CT 06484, FAX: 203.929.3867, TEL: 203.929.8431.

MG6 Customizable Multi-Grip Handle

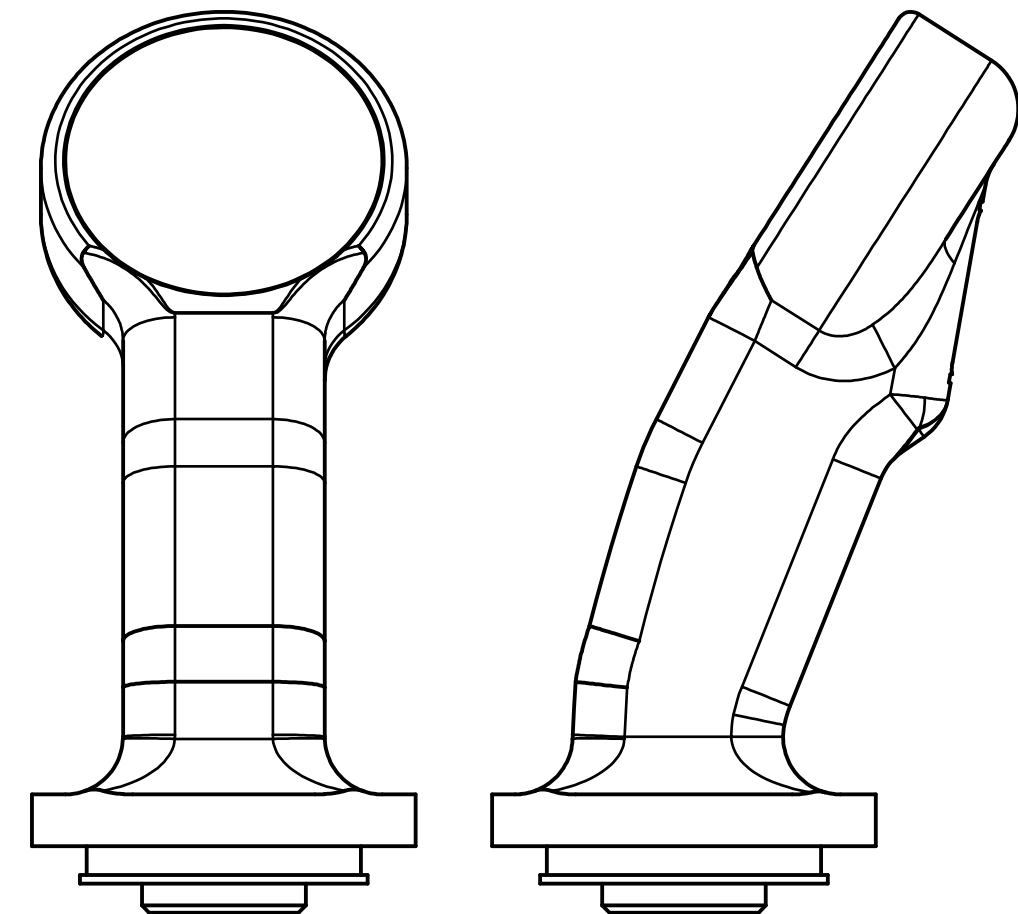


THIS DRAWING IS THE SOLE PROPERTY OF OEM CONTROLS INC., 10 CONTROLS DRIVE, SHELTON, CT 06484, USA. THIS DOCUMENT CONTAINS OEM PROPRIETARY INFORMATION. WRITTEN PERMISSION TO USE OR DISCLOSE ANY INFORMATION HEREIN MUST BE OBTAINED FROM OEM.

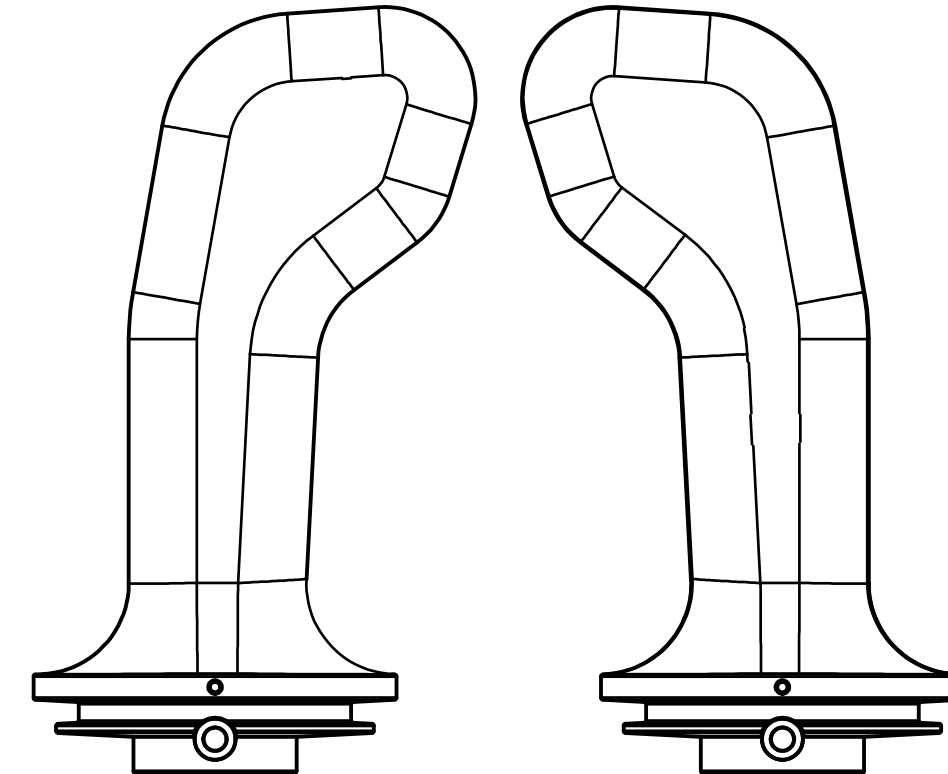
REVISIONS				
ZONE	REV	DESCRIPTION	DATE	APPROVED
	A	ORIGINAL	DOC 3/9/09	DDO 3/9/09
	B	ADDED HANDLES PER ENC#21545	WAR 11/8/10	DDO*11/11/10
	C	ADDED HANDLES PER ECN# 26349	RHJ*5/5/14	



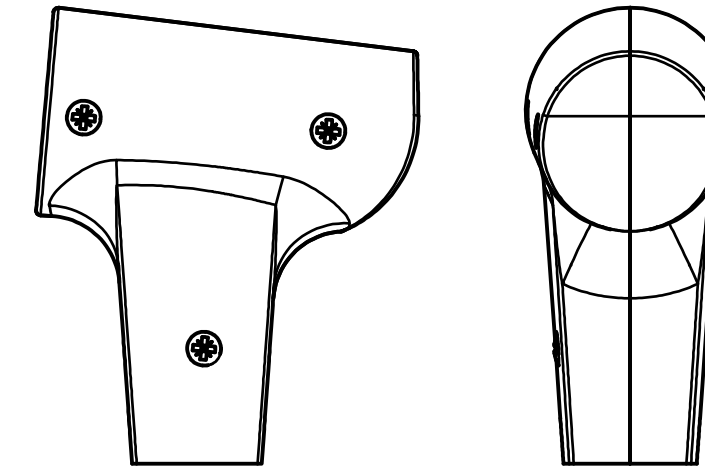
MG1 HANDLE



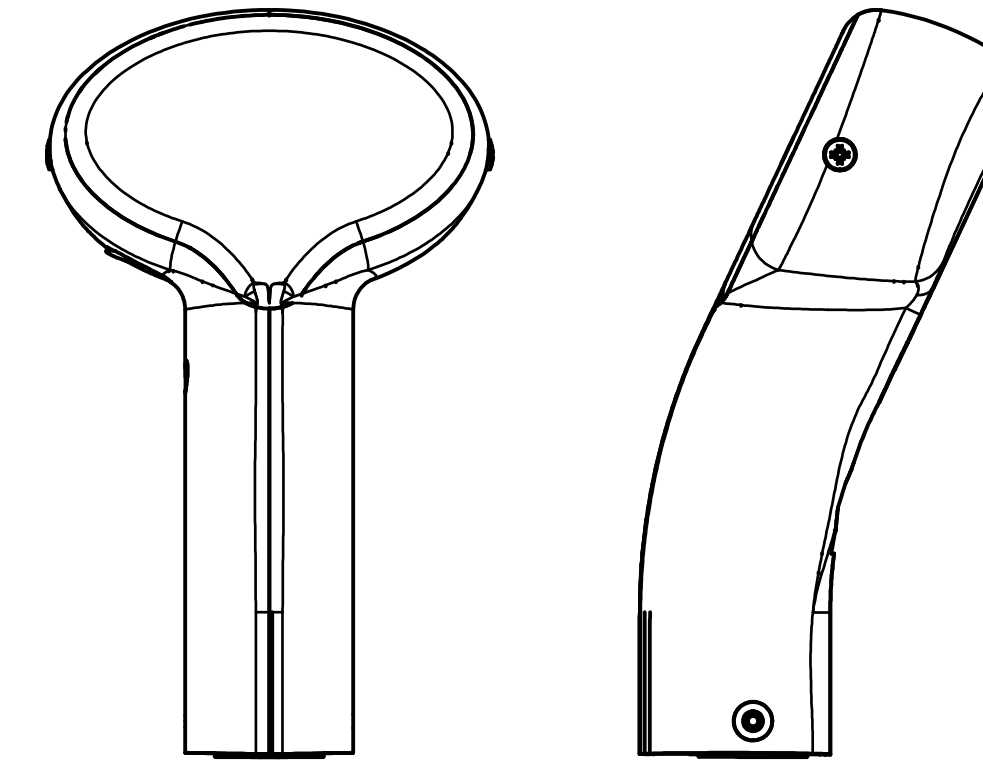
MG2 HANDLE



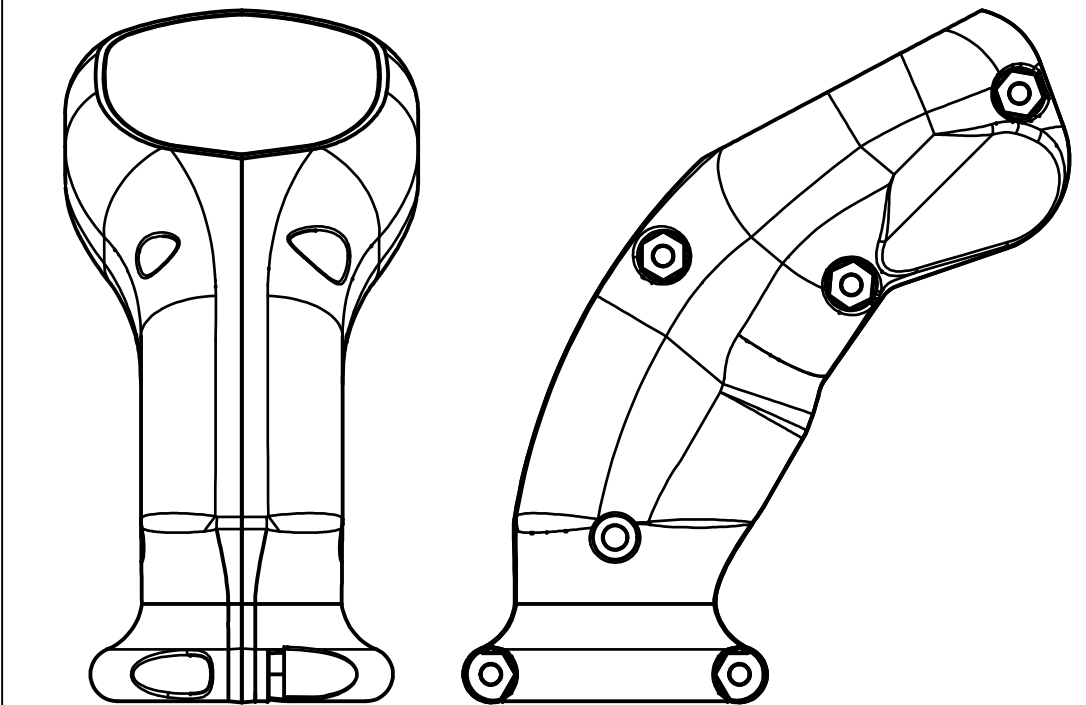
MG3 HANDLE



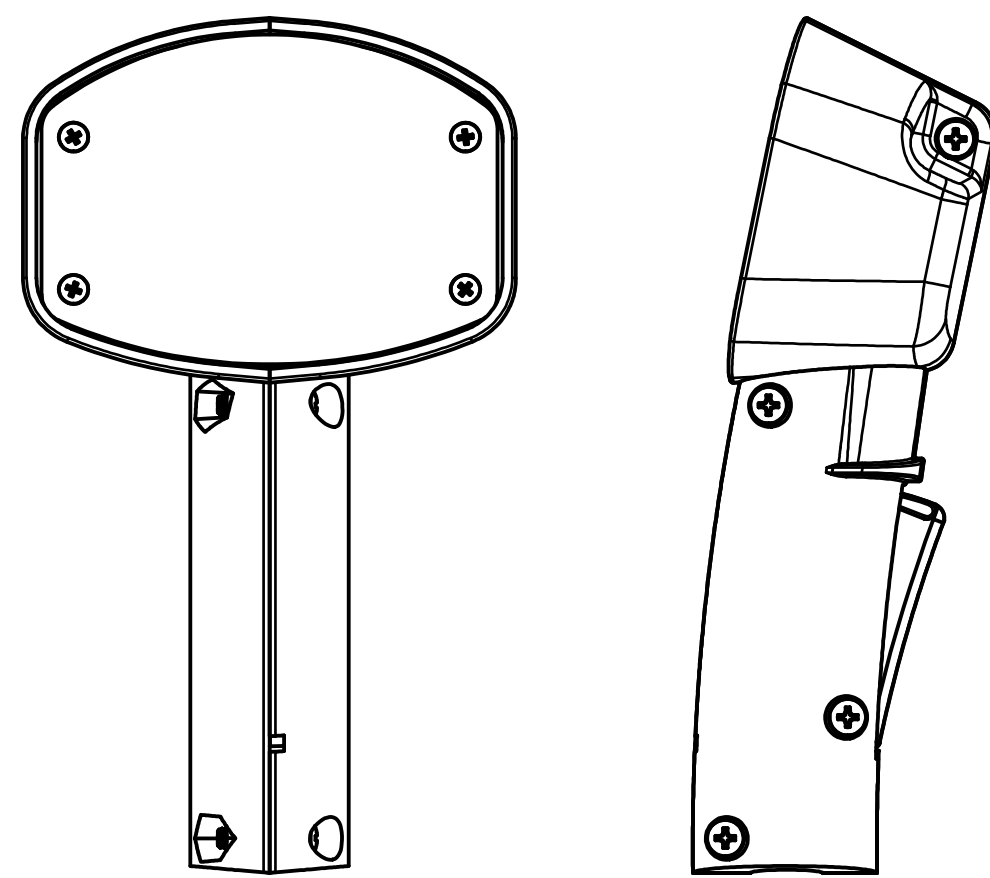
MG4 HANDLE



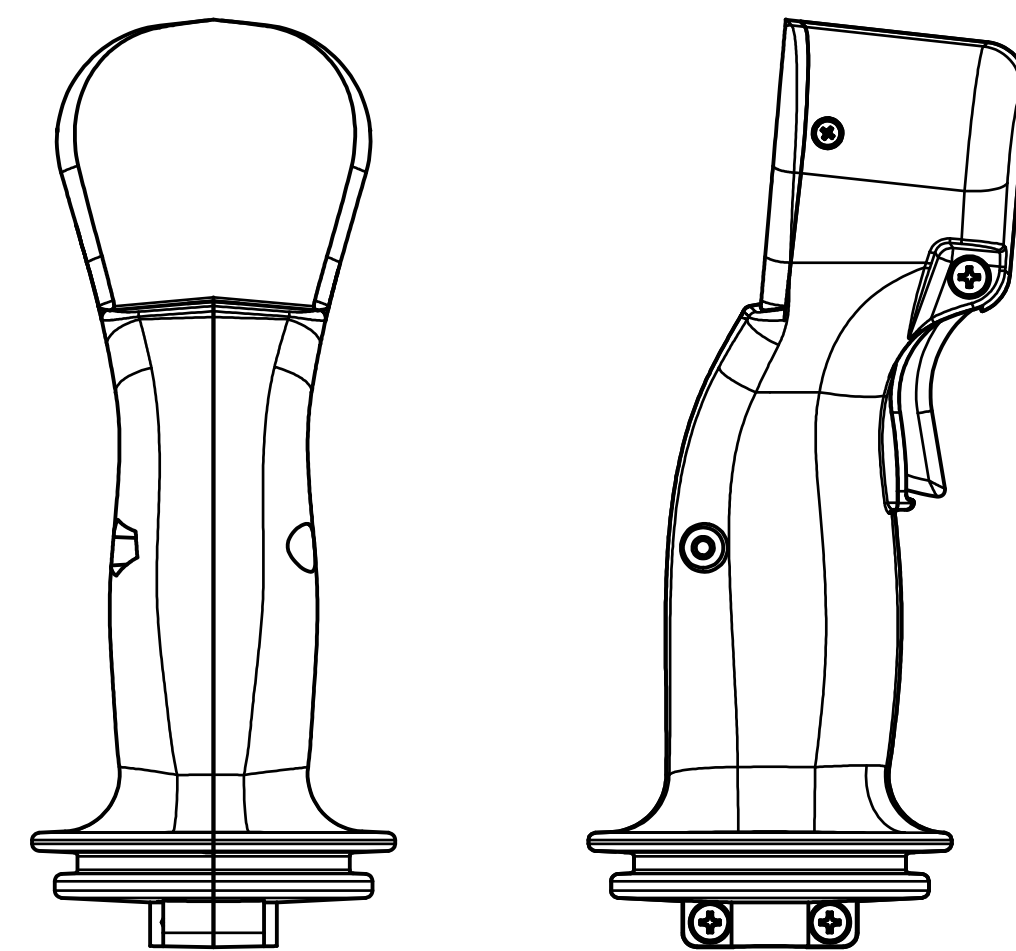
MG5 HANDLE



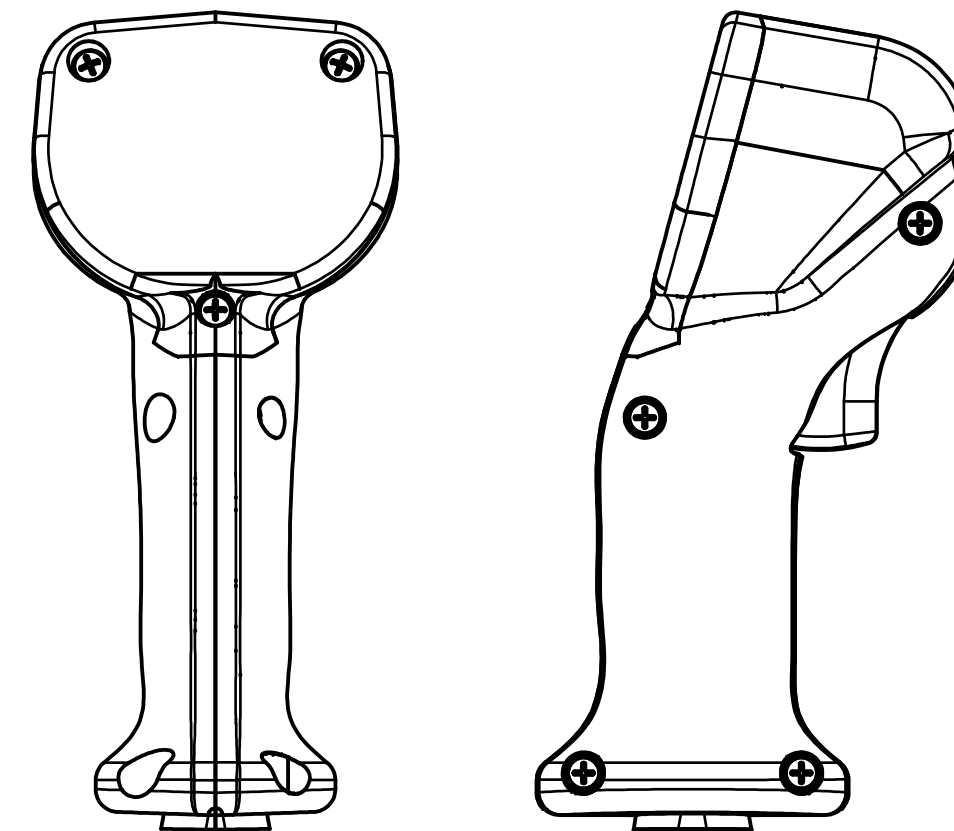
MG6 HANDLE



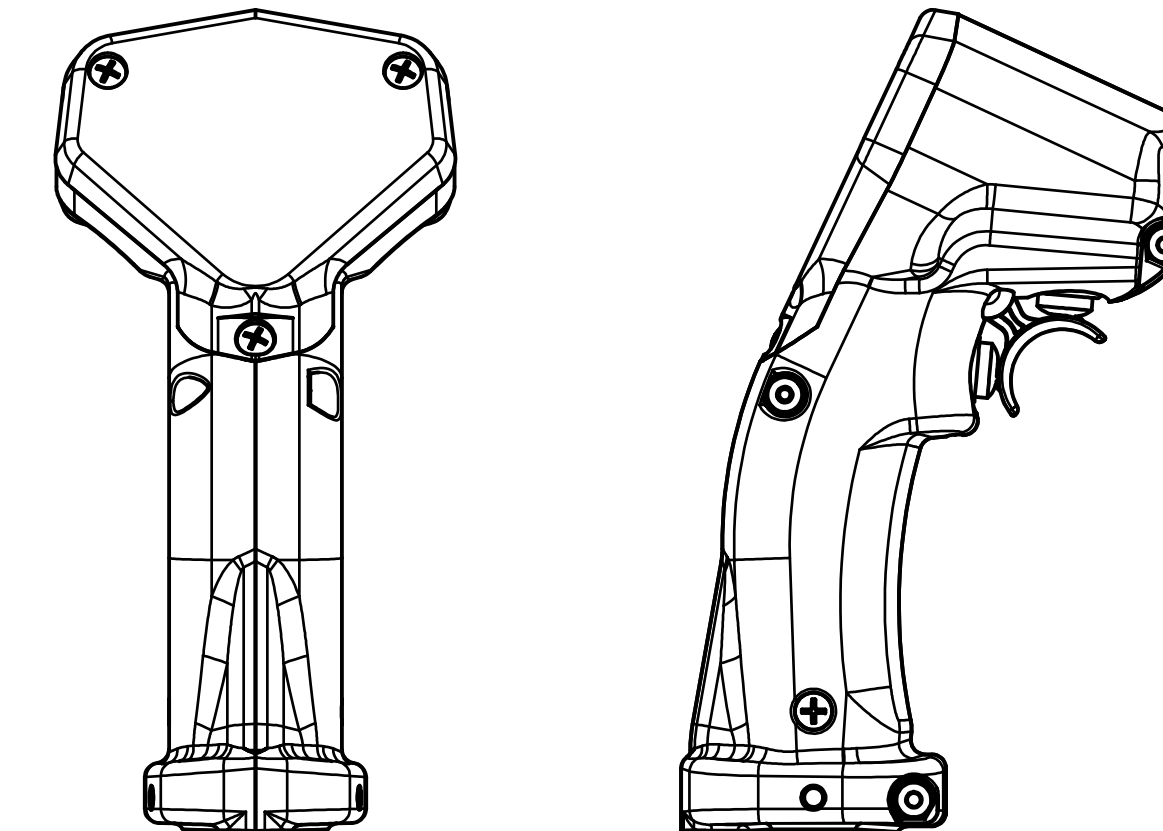
MG7 HANDLE



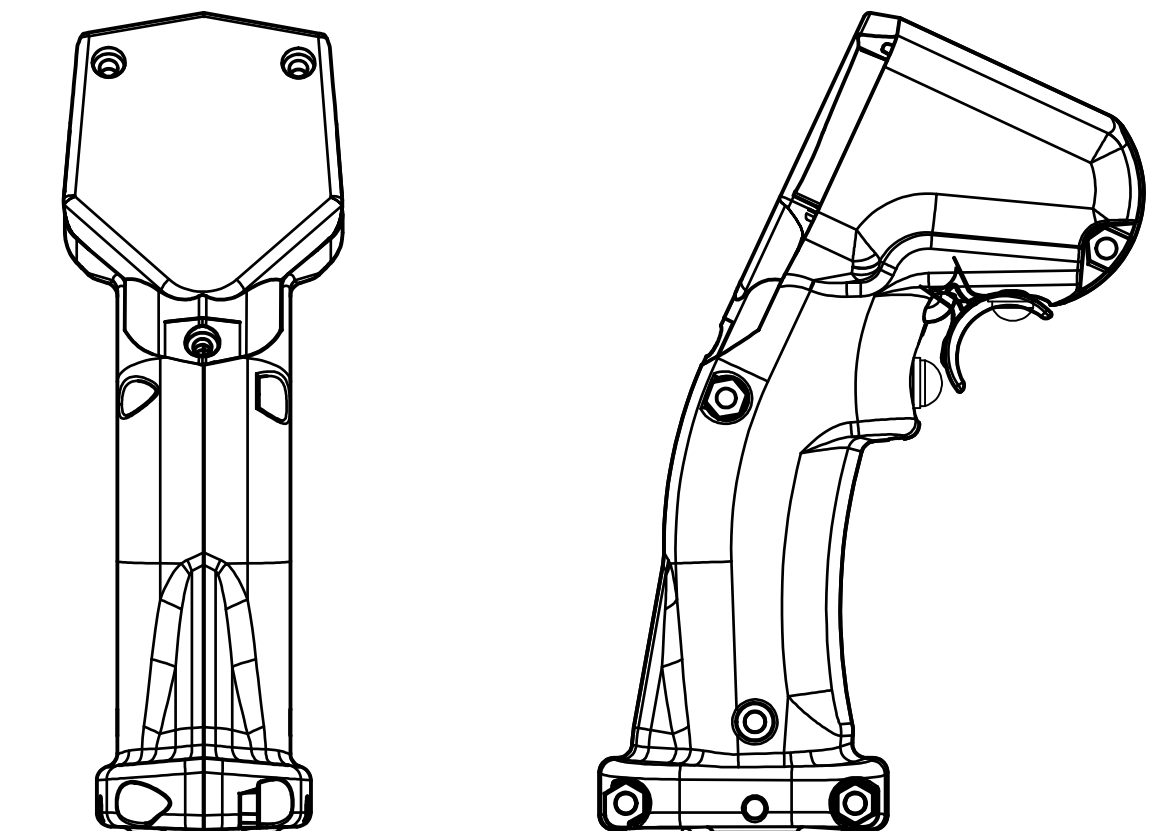
MG8 HANDLE



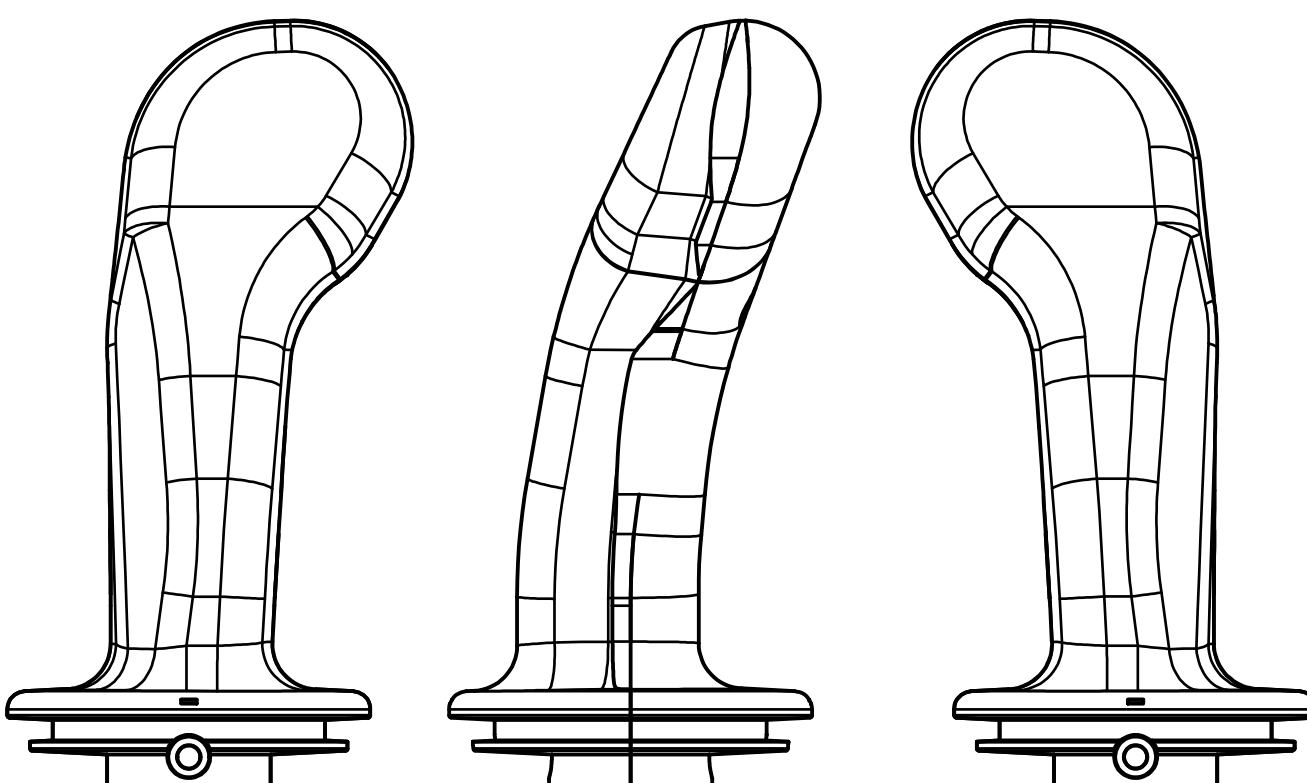
MG9 HANDLE



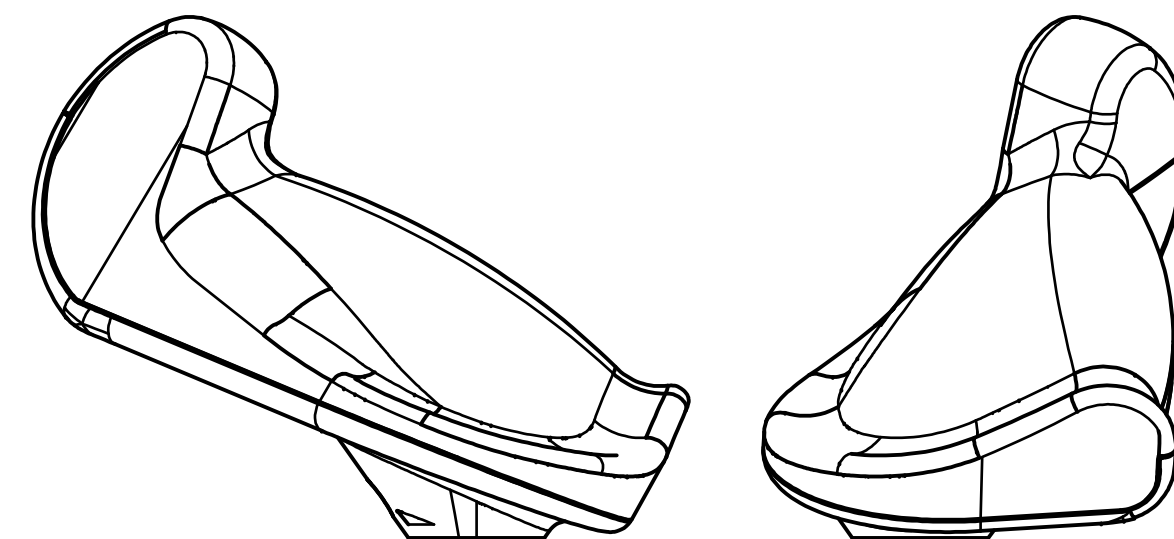
MG10 HANDLE



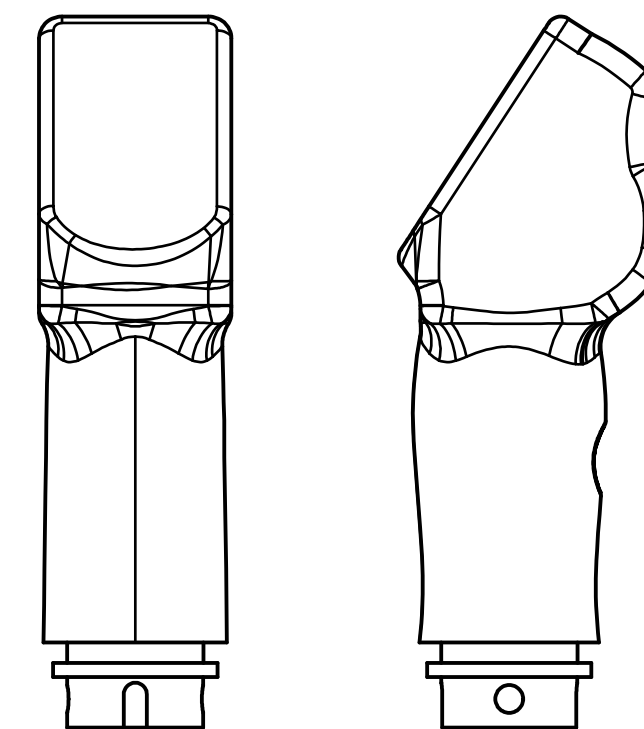
MG11 HANDLE



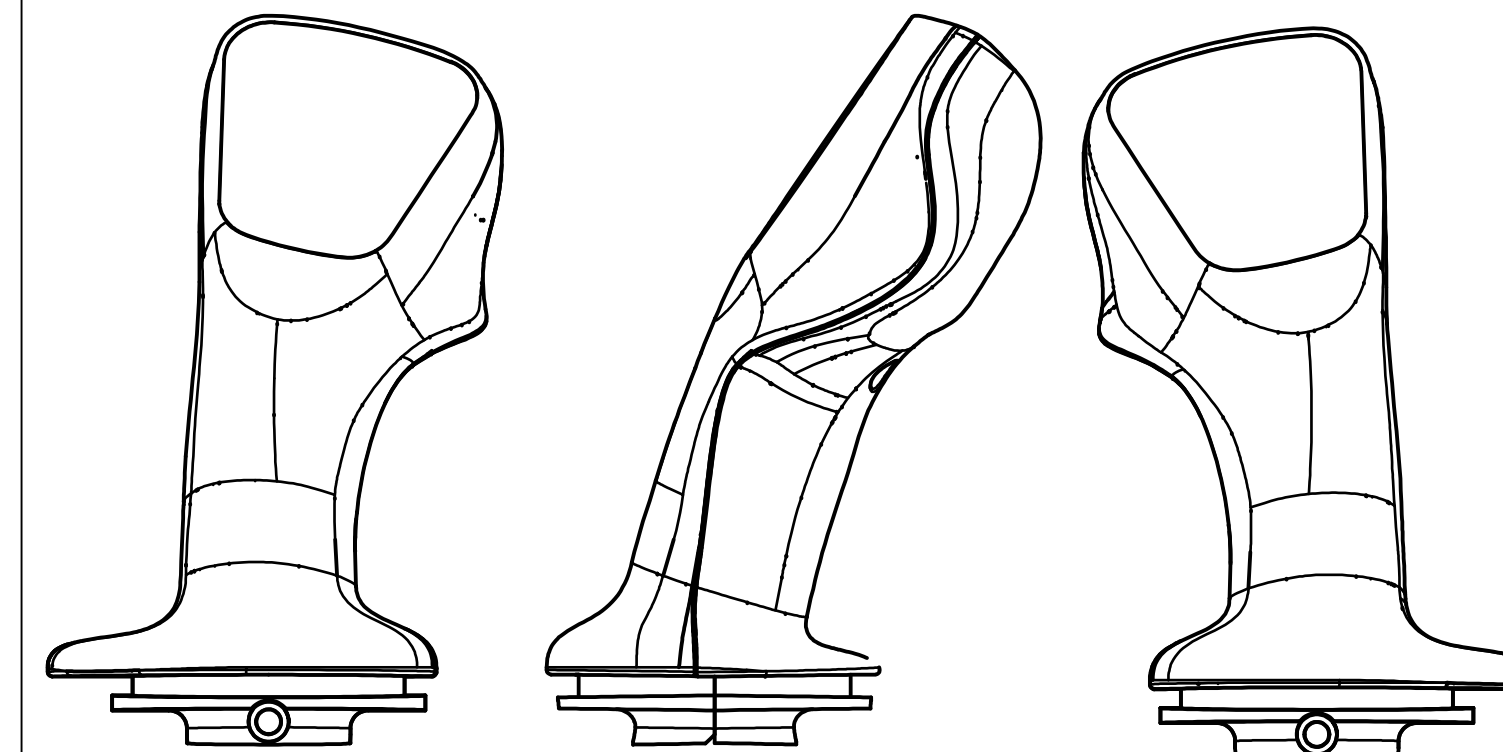
MG12 HANDLE



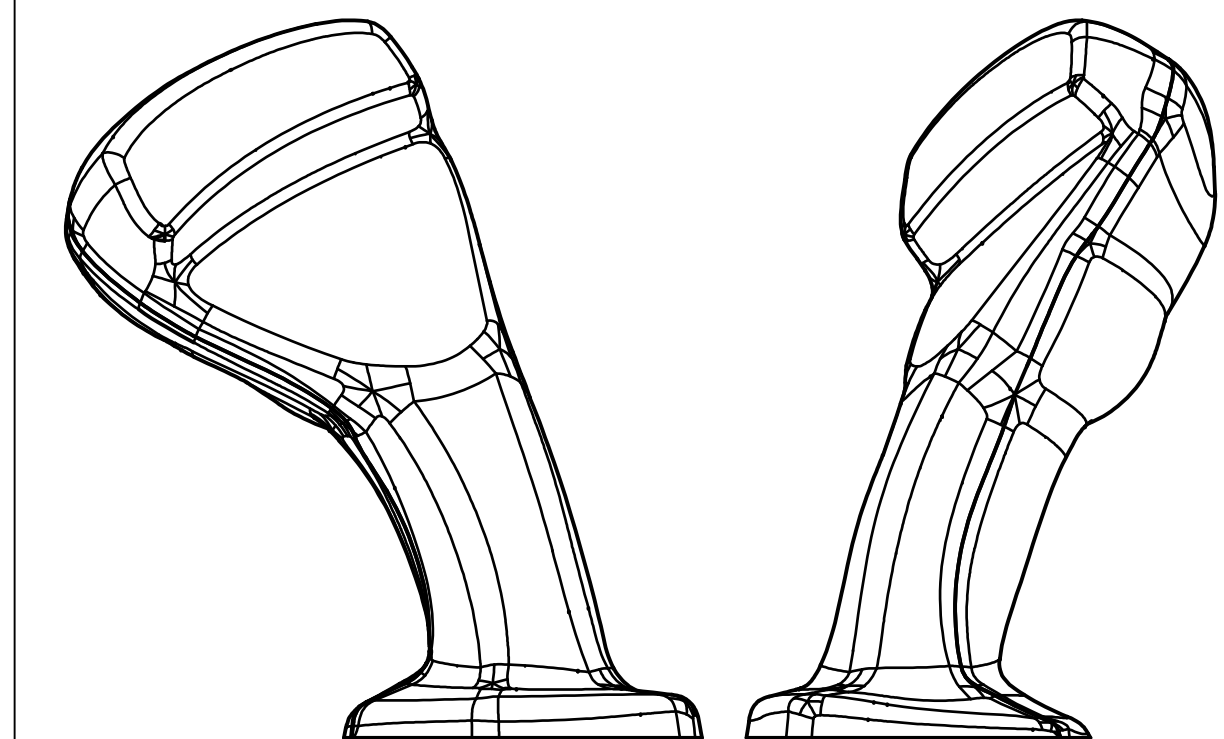
MG23 HANDLE



MG24 HANDLE



MG25 HANDLE



MG26 HANDLE

MATERIAL:	UNLESS OTHERWISE SPECIFIED	DRAWN BY	DOC	DATE	3/9/09
	TOLERANCE	CHECKED	DDO		3/9/09
	ANGLES	APVD	ENG.		
	.X ±.1	APVD	DES		
	.XX ±.01	APVD	SALES		
	.XXX ±.005	DIMENSIONAL UNITS: INCHES			
	.XXX ±.0010	UNDIMENSIONED RADII:			
FINISH:	BREAK ALL SHARP CORNERS, EDGES & BURRS.				
	PROJECTION:				

		10 Controls Drive - Shelton, CT 06484 Phone: (203) 929-8431 Fax: (203) 929-7546	
MG HANDLE CONFIGURATIONS			
PART NO.	DWG. NO. D20683	REV. C	
SCALE NTS	SHEET 1 of 1	SIZE D	