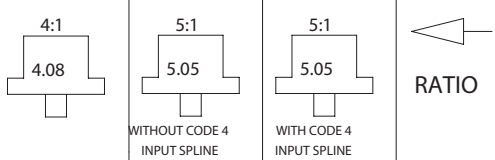


# ESKRIDGE MODEL 50L

## SINGLE PLANETARY

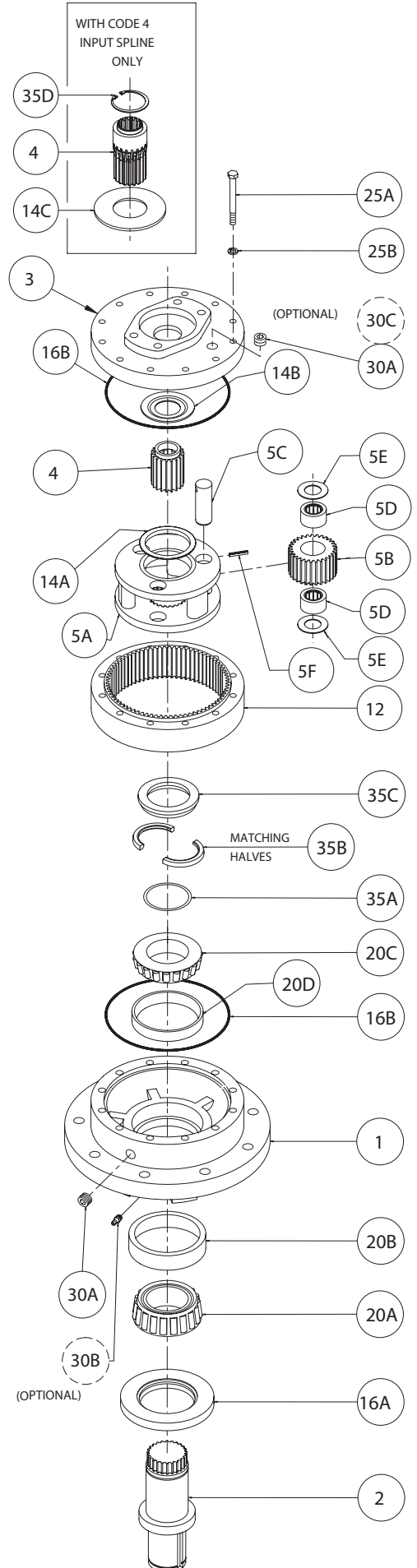


EFFECTIVE  
FROM: S/N 16130 07-01-93  
TO: (CURRENT)

BASES  
SHAFTS  
COVERS  
INPUT GEARS

PART NUMBER	PART NUMBER	PART NUMBER	QTY.	ITEM
	50-004-3003		1	1
	50-004-3013			
	50-004-3193			
	50-004-4012L		1	2
	50-004-4022L			
	50-004-4032L			
	50-004-4052L			
	50-004-4212L			
	50-004-4082L			
	50-004-4502L			
	50-004-4092L			
	50-004-4312L			
	50-004-4292L			
	50-004-1173		1	3
	50-004-1183			
	50-004-1233			
	50-004-1333			
85-004-1382	85-004-1392		1	4
85-004-1272	85-004-1262			
85-004-1292		50-004-1112		
85-004-1562	85-004-1572			
85-004-1592				
50-005-2041	50-005-2031		1	5
50-004-1062	50-004-1052		1	5A
85-004-1051	85-004-1041		3	5B
71-004-0121	71-004-0121		3	5C
01-105-0010	01-105-0010		6	5D
85-004-1181	85-004-1181		6	5E
01-153-0210	01-153-0210		3	5F
			-	6
	50-004-1033	50-004-1023	1	12
50-004-1011	50-004-1011		1	14A
50-004-1091	50-004-1091		1	14B
		81-004-2883	1	14C
	85-016-0601		-	16
	01-405-0530		1	16A
	01-402-0560		2	16B
	01-102-0140		1	20A
	01-103-0130		1	20B
	01-102-0150		1	20C
	01-103-0140		1	20D
	01-150-1540	01-150-1550	12	25A
	01-166-0340		12	25B
	01-207-0070		2	30A
	01-215-0010		(1)	30B
	01-216-0070		(1)	30C
	01-207-0030		(1)	30D
	50-004-1521		*	35A
	50-004-1452		1	35B
	50-004-1462		1	35C
		01-160-0350	1	35D

C O D E	DESCRIPTION
A	ROUND FLANGE (NO ZERK)
E	RECTANGULAR FLANGE (NO ZERK)
F	FLANGLESS (NO ZERK)
C	CUSTOM
D1	2"DIA SHAFT-3/8" KEYWAY
D2	23T 12/24 D.P. SPLINE
D3	2-1/8"DIA SHAFT-1/2" KEYWAY
D4	2"DIA SHAFT-1/2" KEYWAY
F2	2"DIA X .50" KEY (INTERNAL)
H2	2"HEX SHAFT-13/16 DIA.HOLE
H3	2-5/8"HEX SHAFT-13/16 DIA.HOLE
R2	2"DIA AUGER-.562"HOLE
S1	7" SPINDLE 50L (5) X 1/2-13
S2	7" SPINDLE 50L (5) X .610 DIA THRU HOLES
C1	SHAFT-CUSTOM
A	COVER-SAE 'A'
B	COVER-SAE 'B' 2-BOLT
C	COVER-SAE 'C' 4-BOLT
K	COVER-SAE 'C' 2-BOLT
2	INPUT GEAR 13T 16/32 DP SPLINE
3	INPUT GEAR SAE 1"-6B SPLINE
4	INPUT GEAR 14T 12/24 DP SPLINE
5	INPUT GEAR 15T 16/32 DP SPLINE
6	INPUT GEAR 1" DIA X .25 KEY
	CARRIER ASSEMBLY
	CARRIER
	PLANET GEAR
	PLANET SHAFT
	PLANET BEARING
	PLANET THRUST WASHER
	ROLL PIN 3/16 X 7/8
	SUN GEAR
	RING GEAR
	CARRIER THRUST WASHER
	INPUT THRUST WASHER
	THRUST WASHER
	SEAL KIT (1 SEAL, 2 O-RINGS)
	SEAL-SHAFT
	O-RING
	BEARING CONE (OUTER)
	BEARING CUP (OUTER)
	BEARING CONE (INNER)
	BEARING CUP (INNER)
	HEX CAPSCREW 7/16-20 GR8
	LOCKWASHER 7/16 MED
	PIPE PLUG-MAGNETIC 3/8 NPT-SOC HD
	GREASE FITTING (OPTIONAL) STR. 1/8 NPT
	AIR VENT 3/8 NPT (OPTIONAL)
	PIPE PLUG (C & K COVER ONLY) 1/8 NPT
	SHIM(S)
	SPLIT RING (MATCHING HALVES)
	LOCK RING
	RETAINING RING



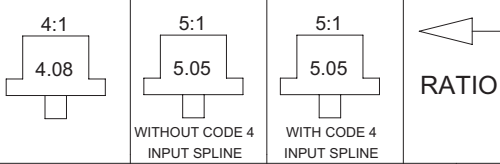
FOR GREASE ZERK OPTION, ADD 'Z' SUFFIX TO BASE P/N

NOTES:  
\*BEARING PRELOAD DETERMINES QUANTITY OF SHIMS.  
S2 - SHAFT REQUIRES STUDS (QTY 5) PART NO. 01-164-0040.

E.C.N. # 2791  
X50LD1-AF 01/15/08

# ESKRIDGE MODEL 50LG

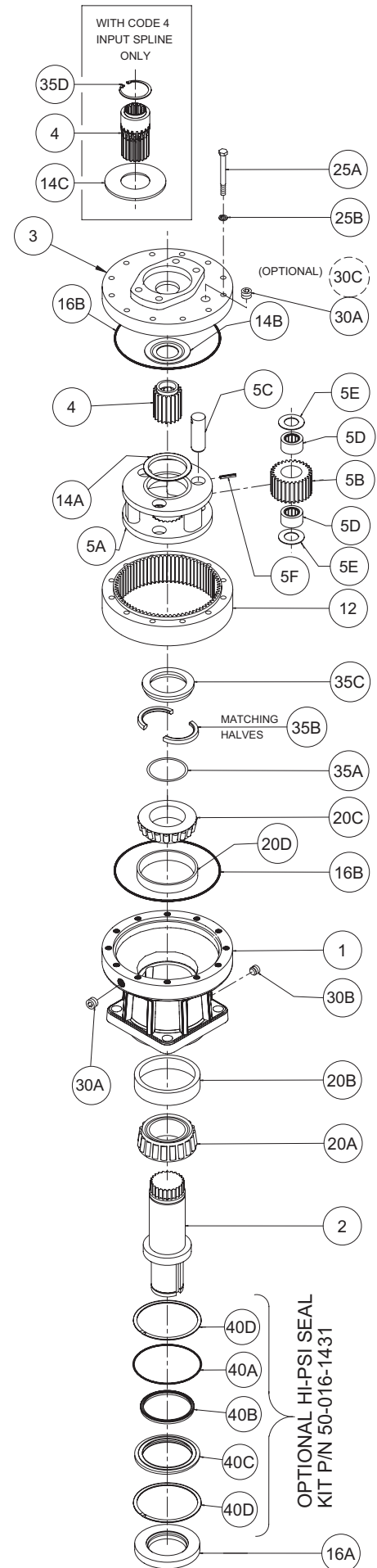
## SINGLE PLANETARY



EFFECTIVE  
FROM: S/N 16130 07-01-93  
TO: (CURRENT)

### DESCRIPTION

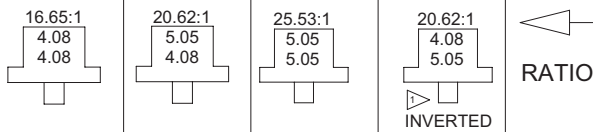
CODE	DESCRIPTION
	"G" BASE- SAE 'C' MNT CUSTOM
D1	2"DIA SHAFT-3/8" KEYWAY
D2	23T 12/24 D.P. SPLINE
D3	2-1/4"DIA SHAFT-1/2" KEYWAY
D4	16T 8/16 D.P. SPLINE
D5	17T 12/24 D.P. SPLINE
D6	17T 12/24 D.P. SPLINE- LONG DROP (3")
D7	2" DIA SHAFT-1/2" KEYWAY
D8	16T 8/16 D.P. SPLINE
C1	CUSTOM
A	COVER-SAE 'A'
B	COVER-SAE 'B' 2-BOLT
C	COVER-SAE 'C' 4-BOLT
K	COVER-SAE 'C' 2-BOLT
2	INPUT GEAR 13T 16/32 DP SPLINE
3	INPUT GEAR SAE 1"-6B SPLINE
4	INPUT GEAR 14T 12/24 DP SPLINE
5	INPUT GEAR 15T 16/32 DP SPLINE
6	INPUT GEAR 1" DIA X .25 KEY
	CARRIER ASSEMBLY
	PLANET THRUST WASHER
	PLANET GEAR
	PLANET SHAFT
	PLANET BEARING
	PLANET THRUST WASHER
	ROLL PIN 3/16 X 7/8
	RING GEAR
	CARRIER THRUST WASHER
	INPUT THRUST WASHER
	THRUST WASHER
	SEAL KIT (1 SEAL, 2 O-RINGS)
	SEAL
	O-RING
	BEARING CONE (OUTER)
	BEARING CUP (OUTER)
	BEARING CONE (INNER)
	BEARING CUP (INNER)
	HEX CAPSCREW 7/16-20 GR8
	LOCKWASHER 7/16 MED
	PIPE PLUG-MAGNETIC 3/8 NPT-SOC HD
	PIPE PLUG 1/4 NPT-SOC HD
	GREASE FITTING (OPTIONAL)
	AIR VENT 3/8 NPT (OPTIONAL)
	PIPE PLUG (C AND K COVER ONLY) 1/8 NPT
	SHIM(S)
	SPLIT RING (MATCHING HALVES)
	LOCK RING
	RETAINING RING (5:1 W/ CODE 4 INPUT)
	HIGH PSI SEAL KIT (INCLUDES 40A, B, C, D)
	O-RING
	SEAL - HIGH PRESSURE
	CARRIER - HIGH PRESSURE SEAL
	HELICAL RETAINING RING



NOTES:  
\* BEARING PRELOAD DETERMINES QUANTITY OF SHIMS.

X50LGD1-AE 01/16/08  
E.C.N. # 2791

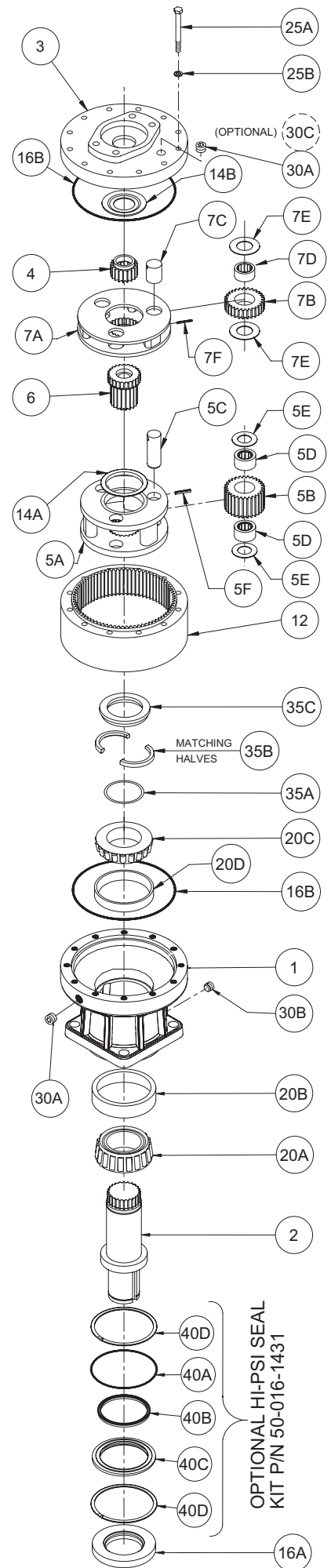
# DOUBLE PLANETARY



**EFFECTIVE**  
**FROM: S/N 38000 11-01-98**  
**TO: (CURRENT)**

PART NUMBER	PART NUMBER	PART NUMBER	PART NUMBER	QTY.	ITEM					
						RATIO				
50-004-3213				1	1					
SHAFTS						50-004-4272L	1	2		
						50-004-4282L				
						50-004-4242L				
						50-004-4252L				
						50-004-4262L				
						50-004-4302L				
						50-004-4322L				
50-004-4512L										
COVERS						50-004-1173	1	3		
						50-004-1183				
						50-004-1233				
						50-004-1333				
INPUT GEARS						85-004-1102	85-004-1062	-	1	4
						85-004-1122	85-004-1112	-		
						85-004-1533		85-004-1533		
						85-004-1542	85-004-1422	-		
						85-004-1582		85-004-1582		
50-005-2041		50-005-2031	1	5						
50-004-1062		50-004-1052	1	5A						
85-004-1051		85-004-1041	3	5B						
	71-004-0121		3	5C						
	01-105-0010		6	5D						
	85-004-1181		6	5E						
	01-153-0210		3	5F						
85-004-1412	85-004-1092	85-004-1072	1	6						
50-005-2011	50-005-2021	50-005-2011	1	7						
50-004-1082	50-004-1072	50-004-1082	1	7A						
85-004-1031	85-004-1021	85-004-1031	3	7B						
	81-004-0071		3	7C						
	01-105-0410		3	7D						
	81-004-1561		6	7E						
	01-153-0080		3	7F						
	50-004-1023		1	12						
	50-004-1011		1	14A						
	50-004-1091		1	14B						
	85-016-0601		-	16						
	01-405-0530		1	16A						
	01-402-0560		2	16B						
	01-102-0140		1	20A						
	01-103-0130		1	20B						
	01-102-0150		1	20C						
	01-103-0140		1	20D						
	01-150-1550		12	25A						
	01-166-0340		12	25B						
	01-207-0070		2	30A						
	01-207-0020		1	30B						
	01-215-0040		(1)	30B						
	01-216-0070		(1)	30C						
	01-207-0030		(1)	30D						
	50-004-1521		*	35A						
	50-004-1452		1	35B						
	50-004-1462		1	35C						
	50-016-1431		-	40						
	01-402-0720		(1)	40A						
	01-412-0050		(1)	40B						
	50-004-1422		(1)	40C						
	01-160-0630		(2)	40D						

CODE	DESCRIPTION
A	"G" BASE- SAE 'C' MNT
C	CUSTOM
D1	2"DIA SHAFT-3/8" KEYWAY
D2	23T 12/24 D.P. SPLINE
D3	2-1/4"DIA SHAFT-1/2" KEYWAY
D4	16T 8/16 D.P. SPLINE
D5	17T 12/24 D.P. SPLINE
D6	17T 12/24 D.P. SPLINE- LONG DROP (3")
D7	2" DIA SHAFT-1/2" KEYWAY
D8	16T 8/16 D.P. SPLINE
C1	SHAFT-CUSTOM
A	COVER-SAE 'A'
B	COVER-SAE 'B' 2-BOLT
C	COVER-SAE 'C' 4-BOLT
K	COVER-SAE 'C' 2-BOLT
2	INPUT GEAR 13T 16/32 DP SPLINE
3	INPUT GEAR SAE 1"-6B SPLINE
4	INPUT GEAR 14T 12/24 DP SPLINE
5	INPUT GEAR 15T 16/32 DP SPLINE
6	INPUT GEAR 1" DIA X .25 KEY
CARRIER ASSEMBLY	
	CARRIER
	PLANET GEAR
	PLANET SHAFT
	PLANET BEARING
	PLANET THRUST WASHER
	ROLL PIN 3/16 X 7/8
	SUN GEAR
CARRIER ASSEMBLY	
	CARRIER
	PLANET GEAR
	PLANET SHAFT
	PLANET BEARING
	PLANET THRUST WASHER
	ROLL PIN 1/8 X 1
	RING GEAR
	CARRIER THRUST WASHER
	INPUT THRUST WASHER
	SEAL KIT (1 SEAL, 2 O-RINGS)
	SEAL-SHAFT
	O-RING
	BEARING CONE (OUTER)
	BEARING CUP (OUTER)
	BEARING CONE (INNER)
	BEARING CUP (INNER)
	HEX CAPSCREW 7/16-20 GR8
	LOCKWASHER 7/16 MED
	PIPE PLUG-MAGNETIC 3/8 NPT-SOC HD
	PIPE PLUG 1/4 NPT-SOC HD
	GREASE FITTING (OPTIONAL)
	AIR VENT 3/8 NPT (OPTIONAL)
	PIPE PLUG (C AND K COVER ONLY) 1/8 NPT
	SHIM(S)
	SPLIT RING (MATCHING HALVES)
	LOCK RING
	HIGH PSI SEAL KIT (INCLUDES 40A, B, C, D)
	O-RING
	SEAL - HIGH PRESSURE
	CARRIER - HIGH PRESSURE SEAL
	HELICAL RETAINING RING



NOTES:  
 1 INVERTED RATIO SUNGEAR IS NOT COUNTERBORED FOR CODE 4 INPUT. MOTOR COMPATIBILITY MUST BE VERIFIED.  
 \* BEARING PRELOAD DETERMINES QUANTITY OF SHIMS.