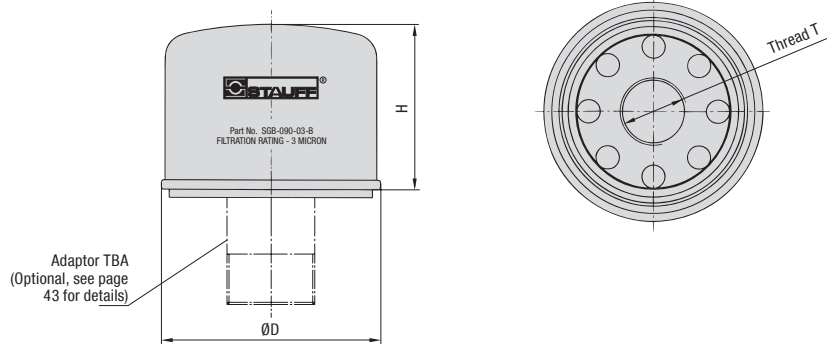


Giant Air Breather Type SGB



Characteristics

Originally designed to be used as replaceable air filter elements for STAUFF Desiccant Breathers, they can also be used as separate air filters for hydraulic reservoirs

Features

- Diameter of Ø68 mm / Ø2.68 in (SGB-060), Ø100 mm / Ø3.94 in (SGB-090) or Ø130 mm / Ø5.12 in (SGB-120)
- Equipped with female BSP thread (ISO 228)
- Including sealing made of NBR (Buna-N®)
- Operating temperature range: -32 °C ... +100 °C / -25 °F ... +212 °F

Accessories / Options

- Adaptors (for direct installation on top of hydraulic reservoirs)

Please see page 43 for a selection of adaptors available, and contact STAUFF for further information.

Air Flow

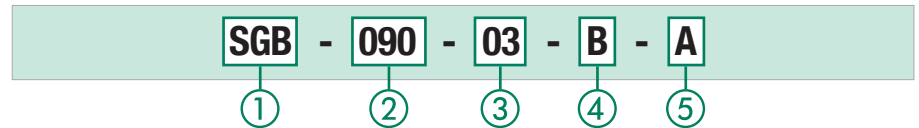
- Maximum air flow rates:
0,05 m³/min / 1.77 cfm for SGB-060,
0,70 m³/min / 24.71 cfm for SGB-090, and
1,50 m³/min / 52.97 cfm for SGB-120

Dimensions and Filter Specifications

Type	Thread T*	Dimensions (mm/in)		Filter Material	Micron Rating	Filter Surface	Max. Air Flow Rate
		ØD	H				
SGB-060-03-B	Female M20 x 1,5 (ISO 13-2)	68	60	Synthetic Fibre	3 µm	415 cm ²	0,05 m ³ /min
		2.68	2.36			63 in ²	1.77 cfm
SGB-090-03-B	Female G3/4 BSP (ISO 228)	100	64	Synthetic Fibre	3 µm	752 cm ²	0,70 m ³ /min
		3.94	2.52			115 in ²	24.71 cfm
SGB-120-03-B	Female G1-1/4 BSP (ISO 228)	130	100	Synthetic Fibre	3 µm	2095 cm ²	1,50 m ³ /min
		5.12	3.94			320 in ²	52.97 cfm

* Use adaptors TBA to change female BSP thread into male BSP or male NPT thread. Please see page 43 for details.

Order Codes



① Type

Giant Air Breather **SGB**

② Size

Diameter of Ø68 mm (Ø2.68 in) **060**
 Diameter of Ø100 mm (Ø3.94 in) **090**
 Diameter of Ø130 mm (Ø5.12 in) **120**

③ Filter Material / Micron Rating

3 µm Synthetic Fibre **03**

Contact STAUFF for alternative materials / micron ratings.

④ Connection Thread

Female BSP thread (according to dimension table) **B**

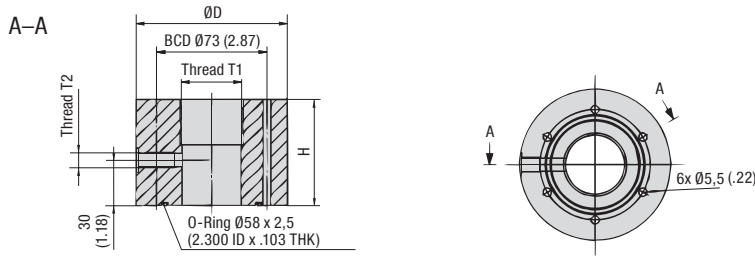
⑤ Adaptor Option

Without adaptor **-**
 With adaptor TBA-075-B (for SGB-090-03-B) or TBA-125-B (for SGB-120-03-B) **A**

Option A is only available for type SGB-090 and SGB-120.

If required, Giant Air Breathers SGB can also be supplied in combination with a wide range of further adaptors. Please see page 43 for a selection of adaptors available, and contact STAUFF for further information.





Adaptor Plate Type AP



Desiccant Air Breather SDB with Adaptor Plate AP

Order Code and Dimensions

Thread T1 (Breather Port)	Thread T2 (Indicator Port)	Dimensions (mm/in)		Socket Cap Screws included	For Use with Desiccant Air Breathers	Order Code
		H	ØD			
Female G3/4 BSP (ISO 228)	Female G1/8 BSP (ISO 228)	50	88	M5 x 60 - 8.8 (Steel, zinc-plated)	SDB-096/2 SDB-093/2 SVDB-096 SVDB-093 SDB-096-CV	AP-1
		1.98	3.46			
Female G1-1/4 BSP (ISO 228)	Female G1/8 BSP (ISO 228)	70	100	M5 x 80 - 8.8 (Steel, zinc-plated)	SDB-121/2 SDB-122/2 SDB-121-CV SDB-122-CV	AP-2
		2.76	3.94			

Characteristics

Designed to simplify the installation of Desiccant Air Breathers and enable the use of a visual contamination indicator

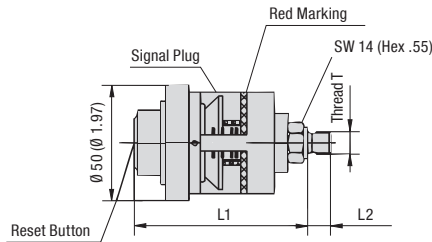
With Adaptor Plates AP, desiccant air breathers can be directly mounted to existing connections with a six-hole bolt pattern for flange interfaces similar to DIN 24557, part 2.

They are also equipped with a female G1/8 BSP thread (ISO 228) to connect with the Visual Contamination Indicator FM.

Adaptor Plates AP are made of Polyamide (PA). A blind plug, O-ring made of NBR (Buna-N®) and 6 socket cap screws (ISO 4762) are supplied with AP as a standard.

Contact STAUFF for other Adaptor Plates.

Visual Contamination Indicator Type FM



Desiccant Air Breather SDB with Adaptor Plate AP and Visual Contamination Indicator FM



Order Code and Dimensions

Thread T	Dimensions (mm/in)		Order Code
	L1	L2	
Male G1/8 BSP (ISO 228)	75	10	FM
	2.54	.39	

Materials

- Housing made of Polycarbonate

Technical Data

- Operating temperature range: -40 °C ... +121 °C (-40 °F ... +250 °F)
- Accuracy: ±10% at red marking

Characteristics

Designed to indicate the status of air filter elements

Visual Contamination Indicators FM – the so-called Filter Minders® – are connected to the female G1/8 BSP thread (ISO 228) of the Adaptor Plate AP and give a visual indication of the contamination level of the air filter element SGB. A red marking indicates when the air filter element has to be replaced.

Visual Contamination Indicators FM can be reset afterwards.

Order Code and Dimensions

Dimensions (mm/in)		Order Code
Length	Diameter	
140	60	TBA-075-B-OD140
5.51	2.36	
210	60	TBA-075-B-OD210
8.27	2.36	

Dimensional drawings: All dimensions in mm (in).

Characteristics

Designed to prevent oil mist from leaving the hydraulic reservoir through air breathers

Features

- Available in 2 different sizes with lengths of 140 mm / 5.51 in or 210 mm / 8.27 in
- Suitable for use with various types of Desiccant Air Breathers including SDB-096/2, SDB-093/2, SVDB-096, SVDB-093 and SDB-096-CV as well as Tank Filler Breathers including SPB-2, SPB-3, SMTB-80 and SPBN

Materials

- Housing with cooling ribs made of Aluminum housing with cooling ribs
- Threaded adaptors made of Steel

Oil Demister Type TBA-OD

