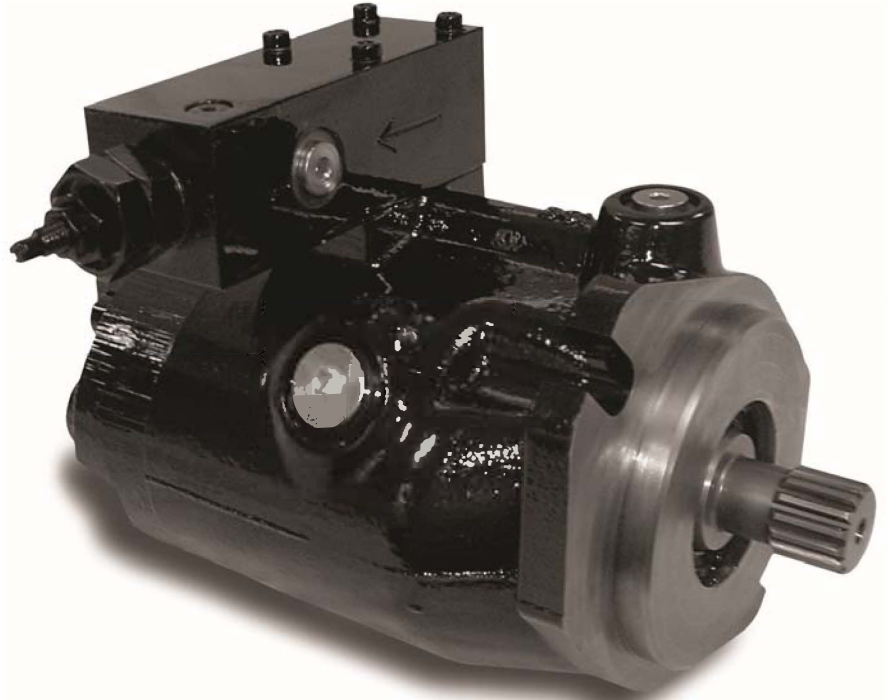




aerospace  
 climate control  
 electromechanical  
 filtration  
 fluid & gas handling  
 hydraulics  
 pneumatics  
 process control  
 sealing & shielding



# P1/PD Series: 18cc to 140cc Medium Pressure Axial Piston Pumps

Variable Displacement – Service Information  
 Bulletin HY28-2665-02/SVC/EN  
 Effective: February 19, 2015



The product information, specifications, and descriptions contained in this publication have been compiled for the use and convenience of our customers from information furnished by the manufacturer; and we can not, and do not, accept any responsibility for the accuracy or correctness of any description, calculation, specification, or information contained herein. No such description, calculation, specification, or information regarding the products being sold has been made part of the basis of the bargain, nor has same created or amounted to an express warranty that the products would conform thereto. We are selling the goods and merchandise illustrated and described on this publication on an "as is" basis, and disclaim any implied warranty, including any warranty of merchantability or warranty of fitness for any particular purpose whatsoever, with respect to the goods and merchandise sold. All manufacturer warranties shall be passed on to our customers, but we shall not be responsible for special, indirect, incidental, or consequential damages resulting from the use of any of the products or information contained or described on this publication. Further, we reserve the right to revise or otherwise make product improvements at any time without notification.



### **WARNING - USER RESPONSIBILITY**

**FAILURE OR IMPROPER SELECTION OR IMPROPER USE OF THE PRODUCTS DESCRIBED HEREIN OR RELATED ITEMS CAN CAUSE DEATH, PERSONAL INJURY AND PROPERTY DAMAGE.**

This document and other information from Parker-Hannifin Corporation, its subsidiaries and authorized distributors provide product or system options for further investigation by users having technical expertise.

The user, through its own analysis and testing, is solely responsible for making the final selection of the system and components and assuring that all performance, endurance, maintenance, safety and warning requirements of the application are met. The user must analyze all aspects of the application, follow applicable industry standards, and follow the information concerning the product in the current product catalog and in any other materials provided from Parker or its subsidiaries or authorized distributors.

To the extent that Parker or its subsidiaries or authorized distributors provide component or system options based upon data or specifications provided by the user, the user is responsible for determining that such data and specifications are suitable and sufficient for all applications and reasonably foreseeable uses of the components or systems.

### **OFFER OF SALE**

The items described in this document are hereby offered for sale by Parker-Hannifin Corporation, its subsidiaries or its authorized distributor. This offer and its acceptance are governed by the provisions stated in the detailed "Offer of Sale" elsewhere in this document.

# Contents

General Information.....	4
Start up procedure.....	5
Troubleshooting.....	6
18cc, Model Ordering Code.....	8
28cc, Model Ordering Code.....	9
45cc, Model Ordering Code.....	10
60cc, Model Ordering Code.....	11
75cc, Model Ordering Code.....	12
100cc, Model Ordering Code.....	13
140cc, Model Ordering Code.....	14
Technical data.....	15
<b>Parts Data</b>	
018 & 028 pump exploded view.....	16
045 pump exploded view.....	17
Parts list for 018, 028, 045.....	18
060, 075, 100 & 140 pump exploded view.....	20
Parts list for 060, 075, 100, 140.....	21
Electronic Control Exploded View.....	22
Parts list for Electronic Control.....	23
Case to inlet check valves.....	24
Volume stop.....	25
Seal and parts kits.....	26-27
L-compensator.....	28-29
C-compensator.....	30
AE, AF, AL, AM,AN compensator.....	31
<b>Assembly/Disassembly information</b>	
Compensator disassembly/inspection.....	32
Compensator assembly.....	33
018, 028, 045 disassembly.....	34
018, 028, 045 Inspection.....	37
018, 028, 045 rework limits.....	38
018, 028, 045 assembly.....	39
018, 028, 045 assembly tools.....	42
018, 028, 045 test procedure.....	44
060, 075, 100, 140 disassembly.....	46
060, 075, 100, 140 inspection.....	48
060, 075, 100, 140 rework limits.....	49
060, 075, 100, 140 assembly.....	50
060, 075, 100, 140 assembly tools.....	54
060, 075, 100, 140 test procedure.....	56
Conversions and formulas.....	59
Offer of sale.....	63

## MOUNTING

These pumps are designed to operate in any position. The pump shaft must be in alignment with the shaft of the source driver and should be checked with a dial indicator. The mating pilot bore and coupling must be concentric. This concentricity is particularly important if the shaft is rigidly connected to the driven load without a flexible coupling.

## SHAFT INFORMATION

**Splined:** The shafts will accept a maximum misalignment of 0.15mm, 0.005 inch, total indicator reading. Angular misalignment at the external and internal spline axis must be less than  $\pm 0,002$  mm per mm of shaft radius,  $\pm 0.002$  inches per inch of shaft radius. The coupling interface must be lubricated. PARKER recommends lithium molydisulfide or similar grease. The internal coupling should be hardened to Rc 27-34 and must conform to SAE-J498c, class 5 flat root side fit.

**Keyed:** High strength heat treated keys must be used. Replacement keys must be hardened to 27-34 Rc. The key corners must be chamfered 0.81-1.0 mm, 0.032"-0.040", at 45° to clear radii that exist in the keyway.

## SIDE LOAD CAPABILITY

The P1/PD series is designed for inline-drive. Side loading on the shaft is not recommended. If this is unavoidable consult your nearest PARKER representative.

## FLUID CONNECTIONS

Connect inlet and outlet lines to the port block of the pump. The maximum case pressure is 2 bar (30 psi) continuous, 4 bar (60 psi) intermittent. The case pressure must never exceed inlet pressure by more than .5 bar (7 psi). When connecting case drain line make certain that drain plumbing passes above highest point of the pump before passing to the reservoir. The case leakage line must be of sufficient size to prevent back pressure in excess of 2 bar (30 psi) and returned to the reservoir below the surface of the oil as far from the supply inlet as possible. All fluid lines, whether pipe, tubing, or hose must be adequate size and strength to assure free flow through the pump. An undersize inlet line will prevent the pump from operating properly at full rated speed. An undersize outlet line will cause back pressure and cause heat generation and increased noise. Flexible hose lines are recommended. If rigid piping is used, the workmanship must be accurate to eliminate strain on the pump port block or to the fluid connections. Sharp bends in the lines must be eliminated wherever possible. All system piping must be cleaned and flushed before installing pump. Make sure the entire hydraulic system is free of dirt, lint, scale, or other foreign material.

**Caution:** Do not use galvanized pipe. Galvanized coating can flake off with continued use.

## SYSTEM RELIEF VALVES

Although the P1/PD series pumps have very fast off-stroke compensator response, system relief valves are recommended in all cases for safety considerations.

## RECOMMENDED FLUIDS

The fluid recommended for use in these pumps has a petroleum base and contains agents which provide oxidation inhibition and anti-rust, anti-foam and de-aerating properties as described in PARKER standard HF-1. Where anti-wear additive fluids are specified, see PARKER standard HF-0.

## VISCOSITY INDEX

90 V. I. minimum. Higher values extend the range of operating temperature but may reduce the service life of the fluid.

## TEMPERATURE

Determined by the viscosity characteristics of the fluid used. Because high temperatures degrade seals, reduce the service life of the fluid and create hazards, fluid temperature should not exceed 110°C (230°F) at the case drain.

## MAINTENANCE

The pump is self-lubricating and preventative maintenance is limited to keeping system fluid clean by changing filters frequently. Keep all fittings and screws tight. Do not operate at pressures and speeds in excess of the recommended limit. If the pump does not operate properly, check the troubleshooting chart before attempting to overhaul the unit. Overhauling may be accomplished by referring to the disassembly, rework limits of wear parts, and assembly procedures as provided in this service manual.

## FLUID CLEANLINESS

Fluid must be cleaned before and continuously during operation, by filters that maintain a cleanliness level of ISO 20/18/14. Better cleanliness levels will significantly extend the life of the components. As contaminant generation may vary with each application, each must be analyzed to determine proper filtration to maintain the required cleanliness level.

**STARTUP PROCEDURE FOR  
NEW INSTALLATIONS**

- Read and understand the instruction manual.
- Identify components and their function.
- Visually inspect components and lines for possible damage.
- Insure that all necessary ports are properly connected.
- Check reservoir for cleanliness. Drain and clean as required.
- Check fluid level and fill as required with filtered fluid to a minimum ISO cleanliness level of 20/18/14.
- Fill pump case with clean oil prior to starting.
- If pump is mounted vertically with the shaft up, bleed the air out the D1 drain port located near the mounting flange.
- Check alignment of drive.
- Check oil cooler and activate it, if included in circuit. Check fluid temperature.
- Reduce pressure settings of compensator and relief valve. Make sure accurate pressure readings can be made at appropriate places.
- If solenoids in system, check for actuation.
- Jog the pump drive. Check for proper shaft rotation. Make sure pump fills properly.
- Start the pump drive.
- Bleed system of air. Recheck fluid level.
- Cycle unloaded machine at low pressure and observe actuation (at low speed, if possible).
- Increase pressure settings gradually in steps. Check for leaks in all lines especially in pump and motor inlet lines.
- Make correct pressure adjustments.
- Gradually increase speed. Be alert for trouble as indicated by changes in sounds, system shocks, and air in fluid.
- Equipment is operational.

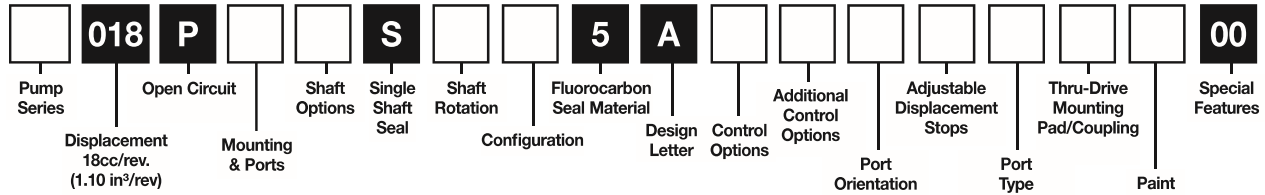
**Typical Adjustment Ranges and Initial Settings (unless customer specified at time of order)**

Function	Adjustment range	Adjustment value	Recommended or Initial Setting
Pressure compensators			
"C0"	80-280 bar (1160-4060 PSI)	40 bar/turn (580 PSI/turn)	Factory supplied at minimum
"C1"	20-80 bar (290-1160 PSI)	18.6 bar/turn (260PSI/turn)	Factory supplied at minimum
"AM"	80-280 bar (1160-4060 PSI)	40 bar/turn (580 PSI/turn)	Factory supplied at minimum
Load sense pressure			
"L0"	8-35 bar (116-500 PSI)	28 bar/turn (410 PSI/turn)	24 bar (350 PSI)
Differential pressure			
"AM"	37 bar (540 PSI)	Adjustment not recommended	Factory Set do not adjust
Maximum Volume stop			
018	100-40%	9% per turn (1.6 cc/turn)	100%
028	100-40%	8.2% per turn (2.3 cc/turn)	100%
045	100-20%	7.5% per turn (3.4 cc/turn)	100%
060	100-30%	6.8% per turn (4.1 cc/turn)	100%
075	100-35%	6.2% per turn (4.65 cc/turn)	100%
100	100-50%	5.5% per turn (5.5 cc/turn)	100%
140	100-50%	4.8% per turn (6.72 cc/turn)	100%
Minimum Volume stop			
018	0-68%	10% per turn (1.8 cc/turn)	0%
028	0-40%	9% per turn (2.6 cc/turn)	0%
045	0-40%	8.2% per turn (3.7 cc/turn)	0%
060	0-50%	4.6% per turn (2.76 cc/turn)	0%
075	0-45%	4.3% per turn (3.23 cc/turn)	0%
100	0-45%	3.9% per turn (3.9 cc/turn)	0%
140	0-25%	3.3% per turn (4.62 cc/turn)	0%

Component problems and circuit problems are often interrelated. An improper circuit may operate with apparent success but will cause failure of a particular component within it. The component failure can be the effect, not the cause of the problem. This general guide is offered to help in locating and eliminating the cause of problems by studying their effects.

Effect of Trouble	Possible Cause	Fault Which Needs Remedy
noisy pump	air in fluid	leak in inlet line
		low fluid level
		turbulent fluid
		return lines above fluid level
		gas leak from accumulator
		excessive pressure drop in the inlet line from a pressurized reservoir
		inlet line strainer acting as air trap
	cavitation in rotating group	fluid too cold
		fluid too viscous
		fluid too heavy
		shaft speed too high
		inlet line too small
		inlet strainer too small
		inlet strainer too dirty
	misaligned shaft	operating altitude too high
		inlet pressure too low
		faulty installation
		distortion in mounting
	mechanical fault in pump	axial interference
faulty coupling		
excessive overhung loads		
piston and shoe looseness or failure		
bearing failure		
erosion on barrel ports and port plate	incorrect port plate rotation	
	eroded or worn parts in the displacement control	
erosion on barrel ports and port plate	air in fluid	see noisy pump above
	cavitation	see noisy pump above
pressure shocks	cogging load	mechanical considerations
	worn relief valve	needed repairs
	worn compensator	replace
	slow response in check valves	replace or relocate
	excessive decompression energy rates	improve decompression control
barrel blow-off	rotating group worn, excessive case pressure	
compensator instability	excessive line capacitance (line volume, line stretch, accumulator effects)	reduce line size or lengths
		eliminate hose

Effect of Trouble	Possible Cause	Fault Which Needs Remedy
high wear in pump	excessive loads	reduce pressure settings
		reduce speeds
	contaminant particles in fluid	improper filter maintenance
		filters too coarse
		introduction of dirty fluid to system
		reservoir openings
		improper reservoir breather
	improper fluid	improper line replacement
		fluid too thin or thick for operating temperature range
		breakdown of fluid with time/temperature/heating effects
		incorrect additives in new fluid
	improper repair	destruction of additive effectiveness with chemical aging
		incorrect parts
	unwanted water in fluid	incorrect procedures, dimensions, finishes
		condensation
faulty breather/strainer		
heat exchanger leakage		
heating of fluid	excessive pump leakage	faulty clean-up practice
		water in makeup fluid
		recheck case drain flow and repair as required
	relief valve	fluid too thin
		improper assembly, port timing
	compensator	set too low (compared to load or to compensator)
		instability caused by back pressure, worn parts
	pump too large for fluid needs	set too high (compared to relief)
		worn parts
	heat exchanger	select smaller pump displacement
		water turned off or too little flow
		water too hot
		fan clogged or restricted
		efficiency reduced by mud or scale deposits
	reservoir	intermittent hydraulic fluid flow
too little fluid		
improper baffles		
insulating air blanket that prevents heat rejection		
	heat pickup from adjacent equipment	



Pump Series	
P1	Mobile
PD	Industrial

Mounting & Ports	
S	SAE A Pilot SAE Threaded Work Ports with SAE Aux Ports
A	SAE A Pilot Metric Work Ports with BSPP Aux Ports
M	ISO - 80mm Pilot Metric Work Ports with Metric Aux Ports
B	ISO - 80mm Pilot Metric Work Ports with BSPP Aux Ports

Shaft Options	
01	Spined shaft - SAE 19-4 11T
02	Keyed shaft - SAE 19-1 .75" Dia.
04	ISO keyed 20MM Dia.
06	Spined shaft - SAE A 9T*

\*Not available with Thru-Drive

Shaft Rotation	
R	Clockwise
L	Counterclockwise

Configuration	
M	Mobile (P1)
S	Industrial (PD)

Control Options	
C0	Pressure limiter 1160.30 - 4061.05 PSI (80 - 280 bar)
C1	Pressure limiter 290.08 - 1160.30 PSI (20 - 80 bar)
L0	Load sensing 145.04 - 435.11 PSI ΔP (10 - 30 bar ΔP) with pressure limiter 1160.30 - 4061.05 PSI (80 - 280 bar)
L1	Load sensing 145 - 435 PSI ΔP (10 - 30 bar ΔP) with pressure limiter 290 - 1450 PSI (20 - 100 bar)
L2	Load sensing 145.04 - 435.11 PSI ΔP (10 - 30 bar ΔP) with bleed & pressure limiter 1160.30 - 4061.05 PSI (80 - 280 bar)
AN*	Pilot operated pressure limiter with ISO4401 interface & SAE 4 Vent Port
AM	Pilot operated pressure limiter with mechanical adjustment and SAE 4 Vent Port
AE	Pilot operated pressure limiter with mechanical and electrical adjustment 12 VDC
AF	Pilot operated pressure limiter with mechanical and electrical adjustment 24 VDC
##	See chart below for electronic control options

\*Not functional control as such

Additional Control Options	
0	No other options
2	Displacement sensor **

\*\*Mandatory with "W\*\*", "X\*\*", "Y\*\*", "Z\*\*", "D\*" and "Y\*\*"

Port Orientation	
E	End Ports
R	Side ported with ripple chamber
T	Side ported with Thru-Drive

Adjustable Displacement Stops	
0	None
1	Adjustable maximum displacement stop
2	Adjustable minimum displacement stop
3	Adjustable maximum and minimum displacement stop

Port Type	
0	Flange Ports*
2	Threaded Ports

\*With Thru-Drive Only

Thru-Drive Mounting Pad/Coupling	
0	No Thru-Drive
A	SAE 82-2(A), 16(A), 9T coupling
H	SAE 82-2(A), 19(-), 11T coupling

Paint	
00	No Paint
PB	Black Paint

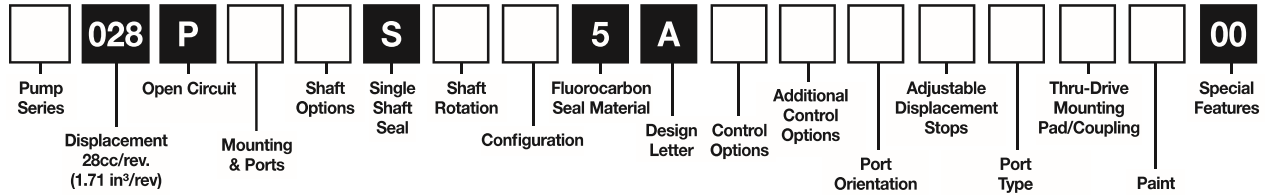
Electronic Control Options	
#	#

0	No ECU
D	Proportional displacement control
Y	Proportional pressure control

P	Electronic valve with zero displacement default
T	Electronic valve with max displacement default
S	Electronic valve with zero displacement default and hydromechanical Pmax
U	Electronic valve with max displacement default and hydromechanical Pmax
W	Electronic valve with zero displacement default (CANBUS compatible)
X	Electronic valve with max displacement default (CANBUS compatible)
Y	Electronic valve with zero displacement default and hydromechanical Pmax (CANBUS compatible)
Z	Electronic valve with max displacement default and hydromechanical Pmax (CANBUS compatible)

\*\*\* W, X, Y and Z only available with "D\*" and "Y\*\*"





Pump Series	
P1	Mobile
PD	Industrial

Mounting & Ports	
S	SAE B Pilot SAE Work Ports with SAE Aux Ports
A	SAE B Pilot Metric Work Ports with BSPP Aux Ports
M	ISO - 100MM Pilot Metric Work Ports with Aux Ports
B	ISO - 100MM Pilot Metric Work Ports with BSPP Aux Ports

Shaft Options	
01	Splined shaft - SAE B-B 15T
02	Keyed shaft - SAE B-B 1" Dia.
04	ISO keyed 25MM Dia.
08	Splined shaft - SAE B 13T

Shaft Rotation	
R	Clockwise
L	Counterclockwise

Configuration	
M	Mobile (P1)
S	Industrial (PD)

Control Options	
C0	Pressure limiter 1160.30 - 4061.05 PSI (80 - 280 bar)
C1	Pressure limiter 290.08 - 1160.30 PSI (20 - 80 bar)
L0	Load sensing 145.04 - 435.11 PSI ΔP (10 - 30 bar ΔP) with pressure limiter 1160.30 - 4061.05 PSI (80 - 280 bar)
L1	Load sensing 145 - 435 PSI ΔP (10 - 30 bar ΔP) with pressure limiter 290 - 1450 PSI (20 - 100 bar)
L2	Load sensing 145.04 - 435.11 PSI ΔP (10 - 30 bar ΔP) with bleed & pressure limiter 1160.30 - 4061.05 PSI (80 - 280 bar)
AN*	Pilot operated pressure limiter with ISO4401 interface & SAE 4 Vent Port
AM	Pilot operated pressure limiter with mechanical adjustment and SAE 4 Vent Port
AE	Pilot operated pressure limiter with mechanical and electrical adjustment 12 VDC
AF	Pilot operated pressure limiter with mechanical and electrical adjustment 24 VDC
##	See chart below for electronic control options

\*Not functional control as such

Additional Control Options	
0	No other options
2	Displacement sensor **

\*\*Mandatory with "W\*\*", "X\*\*", "Y\*\*", "Z\*\*", "D\*\*" and "Y\*\*"

Port Orientation	
E	End Ports
R	Side ported with ripple chamber
T	Side ported with through drive

Adjustable Displacement Stops* (For E & R Port Orientation Only)	
0	None
1	Adjustable maximum displacement stop
2	Adjustable minimum displacement stop
3	Adjustable maximum and minimum displacement stop

\*Not available with Thru-Drive

Port Type	
0	Flange Ports
2	Threaded Ports

Thru-Drive Mounting Pad/Coupling	
0	No Thru-Drive
A	SAE 82-2 (A), 16 (A), 9T coupling
H	SAE 82-2 (A), 19 (--), 11T coupling
B	SAE 101-2 (B), 22 (B), 13T coupling
Q	SAE 101-2 (B), 25 (B-B), 15T coupling

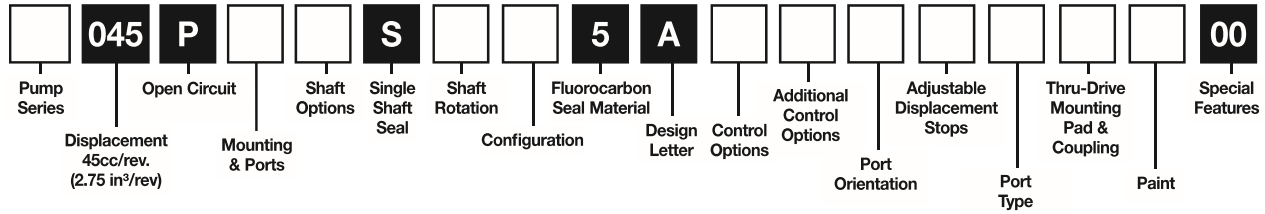
Paint	
00	No Paint
PB	Black Paint

Electronic Control Options	
#	#

0	No ECU
D	Proportional displacement control
Y	Proportional pressure control

P	Electronic valve with zero displacement default
T	Electronic valve with max displacement default
S	Electronic valve with zero displacement default and hydromechanical Pmax
U	Electronic valve with max displacement default and hydromechanical Pmax
W	Electronic valve with zero displacement default (CANBUS compatible)
X	Electronic valve with max displacement default (CANBUS compatible)
Y	Electronic valve with zero displacement default and hydromechanical Pmax (CANBUS compatible)
Z	Electronic valve with max displacement default and hydromechanical Pmax (CANBUS compatible)

\*\*\* W, X, Y and Z only available with "D" and "Y"



Pump Series	
P1	Mobile
PD	Industrial

Mounting & Ports	
S	SAE B Pilot with SAE Threaded or Flange Work Ports with SAE Aux Ports
A	SAE B Pilot with Metric Threaded or Metric Flange Work Ports with BSPP Aux Ports
M	ISO - 100MM Pilot Metric Threaded or Metric Flange Work Ports with Aux Ports
B	ISO - 100MM Pilot Metric Threaded or Metric Flange Work Ports with Aux Ports

Shaft Options	
01	Spined shaft - SAE B-B 15T
02	Keyed shaft - SAE B-B 1" Dia.
04	ISO keyed 25MM Dia.
08	Spined shaft - SAE B 13T

Shaft Rotation	
R	Clockwise
L	Counterclockwise

Configuration	
M	Mobile (P1)
S	Industrial (PD)
U	Universal (SAE Mounting Option, S, Only)

Control Options	
C0	Pressure limiter 1160.30 - 4061.05 PSI (80 - 280 bar)
C1	Pressure limiter 290.08 - 1160.30 PSI (20 - 80 bar)
L0	Load sensing 145.04 - 435.11 PSI ΔP (10 - 30 bar ΔP) with pressure limiter 1160.30 - 4061.05 PSI (80 - 280 bar)
L1	Load sensing 145 - 435 PSI ΔP (10 - 30 bar ΔP) with pressure limiter 290 - 1450 PSI (20 - 100 bar)
L2	Load sensing 145.04 - 435.11 PSI ΔP (10 - 30 bar ΔP) with bleed & pressure limiter 1160.30 - 4061.05 PSI (80 - 280 bar)
AN*	Pilot operated pressure limiter with ISO4401 interface & SAE 4 Vent Port
AL	Pilot operated pressure limiter with Load sensing (only available with "T" Torque Limiter option, i.e. "ALT")
AM	Pilot operated pressure limiter with mechanical adjustment and SAE 4 Vent Port
AE	Pilot operated pressure limiter with mechanical and electrical adjustment 12 VDC
AF	Pilot operated pressure limiter with mechanical and electrical adjustment 24 VDC
##	See chart below for electronic control options

\*Not functional control as such

Additional Control Options	
0	No other options
2	Displacement sensor **
T	Torque Limiter Control (Used with AM, AN or AL control options)

\*\*Mandatory with "W\*\*", "X\*\*",  
"Y\*\*", "Z\*\*" "D" and "Y"

Port Orientation	
E	End Ports
R	Side ported with ripple chamber
T	Side ported with through drive

Adjustable Displacement Stops* (For E & R Port Orientation Only)	
0	None
1	Adjustable maximum displacement stop
2	Adjustable minimum displacement stop
3	Adjustable maximum and minimum displacement stop

\*Not available with Thru-Drive

Port Type	
0	Flange Ports
2	Threaded Ports

Thru-Drive Mounting Pad/Coupling	
0	No Thru-Drive
A	SAE 82-2 (A), 16 (A), 9T coupling
H	SAE 82-2 (A), 19 (--), 11T coupling
B	SAE 101-2 (B), 22 (B), 13T coupling
Q	SAE 101-2 (B), 25 (B-B), 15T coupling

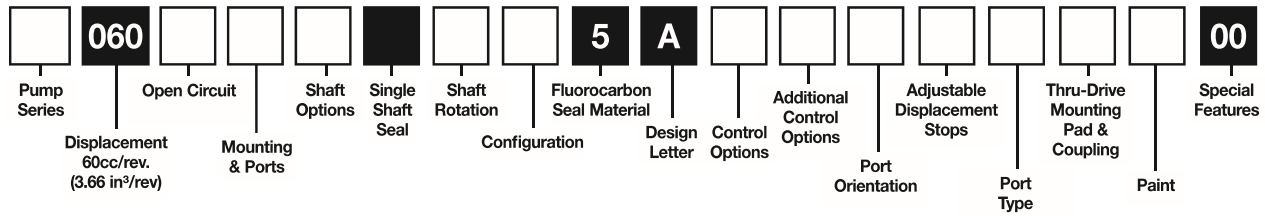
Paint	
00	No Paint
PB	Black Paint

Electronic Control Options	
#	#

0	No ECU
D	Proportional displacement control
Y	Proportional pressure control

P	Electronic valve with zero displacement default
T	Electronic valve with max displacement default
S	Electronic valve with zero displacement default and hydromechanical Pmax
U	Electronic valve with max displacement default and hydromechanical Pmax
W	Electronic valve with zero displacement default (CANBUS compatible)
X	Electronic valve with max displacement default (CANBUS compatible)
Y	Electronic valve with zero displacement default and hydromechanical Pmax (CANBUS compatible)
Z	Electronic valve with max displacement default and hydromechanical Pmax (CANBUS compatible)

\*\*\* W, X, Y and Z only available with "D" and "Y"



Pump Series	
P1	Mobile
PD	Industrial

Open Circuit	
P	Open Circuit (One Side of Center)
X	Open Circuit (100% over Center)

Mounting & Ports	
S	SAE C Pilot SAE Flange Connection Ports with SAE Aux Ports
A	SAE C Pilot Metric Flange Connection Ports with BSPP Aux Ports
M	ISO - 125MM Pilot Metric Flange Connection Ports with Metric Aux Ports
B	ISO - 125MM Pilot, Metric Flange Connection Ports with BSPP Aux Ports
C	SAE C 2-Bolt Pilot SAE Flange Connection Ports with SAE Aux Ports
D	SAE C 2-Bolt Pilot SAE Flange Connection Ports with BSPP Aux Ports

Shaft Options	
01	Splined shaft - SAE C 14T
02	Keyed shaft - SAE C 32-1 KEY
04	Keyed shaft - ISO / DIN KEY 32MM Dia.

Shaft Rotation	
R	Clockwise
L	Counterclockwise

Configuration	
M	Mobile (P1)
S	Industrial (PD)
U	Universal

Control Options	
C0	Pressure limiter 1160.30 - 4061.05 PSI (80 - 280 bar)
C1	Pressure limiter 290.08 - 1160.30 PSI (20 - 80 bar)
L0	Load sensing 145.04 - 435.11 PSI ΔP (10 - 30 bar ΔP) with pressure limiter 1160.30 - 4061.05 PSI (80 - 280 bar)
L1	Load sensing 145 - 435 PSI ΔP (10 - 30 bar ΔP) with pressure limiter 290 - 1450 PSI (20 - 100 bar)
L2	Load sensing 145.04 - 435.11 PSI ΔP (10 - 30 bar ΔP) with bleed & pressure limiter 1160.30 - 4061.05 PSI (80 - 280 bar)
AN*	Pilot operated pressure limiter with ISO4401 interface & SAE 4 Vent Port
AL	Pilot operated pressure limiter with Load sensing ( only available with "T" Torque Limiter option, i.e. "ALT")
AM	Pilot operated pressure limiter with mechanical adjustment and SAE 4 Vent Port
AE	Pilot operated pressure limiter with mechanical and electrical adjustment 12 VDC
AF	Pilot operated pressure limiter with mechanical and electrical adjustment 24 VDC
##	See chart below for electronic control options

\*Not functional control as such

Additional Control Options	
0	No other options
2	Displacement sensor **
T	Torque Limiter Control (Used with AM, AN or AL control options)

\*\*Mandatory with "W\*\*", "X\*\*",  
"Y\*\*", "Z\*\*" "D\*" and "Y"

Port Orientation	
E	End Ports
S	Side Ports
T	Side Ports with Thru-Drive

Adjustable Displacement Stops* (For E & S Port Orientation Only)	
0	None
1	Adjustable maximum displacement stop
2	Adjustable minimum displacement stop
3	Adjustable maximum and minimum displacement stop

\*Not available with Thru-Drive

Port Type	
0	Flange Ports
2	SAE Threaded Ports (Available only on "E" port and "S" or "C" mount)
4	BSPP Threaded Ports (Available only on "E" port and "D" mount)

Thru-Drive Mounting Pad/Coupling	
0	No Thru-Drive
A	SAE 82-2 (A), 16 (A), 9T coupling
H	SAE 82-2 (A), 19 (-), 11T coupling
B	SAE 101-2 (B), 22 (B), 13T coupling
Q	SAE 101-2 (B), 25 (B-B), 15T coupling
J	SAE 101-2 (B), rotated 45 degrees, 22 (B), 13T coupling
K	SAE 101-2 (B), rotated 45 degrees, 25 (B-B), 15T coupling
C	SAE 127-4 (C), 32 (C), 14T coupling

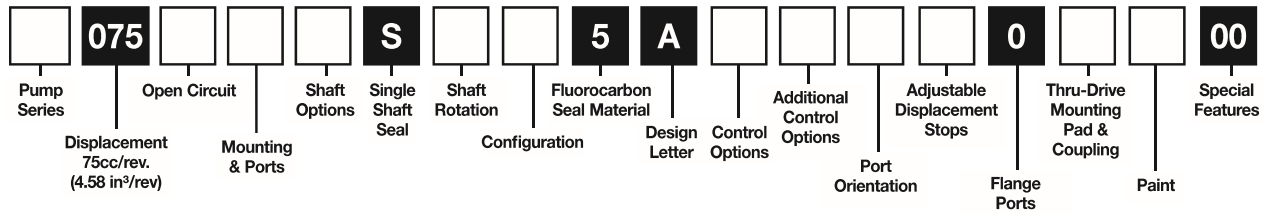
Paint	
00	No Paint
PB	Black Paint

Electronic Control Options	
#	#

0	No ECU
D	Proportional displacement control
Y	Proportional pressure control

P	Electronic valve with zero displacement default
T	Electronic valve with max displacement default
S	Electronic valve with zero displacement default and hydromechanical Pmax
U	Electronic valve with max displacement default and hydromechanical Pmax
W	Electronic valve with zero displacement default (CANBUS compatible)
X	Electronic valve with max displacement default (CANBUS compatible)
Y	Electronic valve with zero displacement default and hydromechanical Pmax (CANBUS compatible)
Z	Electronic valve with max displacement default and hydromechanical Pmax (CANBUS compatible)

\*\*\* W, X, Y and Z only available with "D\*" and "Y"



Pump Series	
P1	Mobile
PD	Industrial

Open Circuit	
P	Open Circuit (One Side of Center)
X	Open Circuit (100% over Center)

Mounting & Ports	
S	SAE C Pilot SAE Flange Connection Ports with SAE Aux Ports
A	SAE C Pilot Metric Flange Connection Ports with BSPP Aux Ports
M	ISO - 125MM Pilot Metric Flange Connection Ports with Metric Aux Ports
B	ISO - 125MM Pilot, Metric Flange Connection Ports with BSPP Aux Ports
C	SAE C 2-Bolt Pilot SAE Flange Connection Ports with SAE Aux Ports
D	SAE C 2-Bolt Pilot SAE Flange Connection Ports with BSPP Aux Ports

Shaft Options	
01	Splined shaft - SAE C 14T
02	Keyed shaft - SAE C 32-1 KEY
04	Keyed shaft - ISO / DIN KEY 32MM Dia.

Shaft Rotation	
R	Clockwise
L	Counterclockwise

Configuration	
M	Mobile (P1)
S	Industrial (PD)
U	Universal

Control Options	
C0	Pressure limiter 1160.30 - 4061.05 PSI (80 - 280 bar)
C1	Pressure limiter 290.08 - 1160.30 PSI (20 - 80 bar)
L0	Load sensing 145.04 - 435.11 PSI ΔP (10 - 30 bar ΔP) with pressure limiter 1160.30 - 4061.05 PSI (80 - 280 bar)
L1	Load sensing 145-435 PSI ΔP (10 - 30 bar ΔP) with pressure limiter 290 - 1450 PSI (20 - 100 bar)
L2	Load sensing 145.04-435.11 PSI ΔP (10 - 30 bar ΔP) with bleed & pressure limiter 1160.30 - 4061.05 PSI (80 - 280 bar)
AN*	Pilot operated pressure limiter with ISO4401 interface & SAE 4 Vent Port
AM	Pilot operated pressure limiter with mechanical adjustment and SAE 4 Vent Port
AE	Pilot operated pressure limiter with mechanical and electrical adjustment 12 VDC
AF	Pilot operated pressure limiter with mechanical and electrical adjustment 24 VDC
##	See chart below for electronic control options

\*Not functional control as such

Additional Control Options	
0	No other options
2	Displacement sensor **
T	Torque Limiter Control (Used with AM, AN or L0 control options)

\*\*Mandatory with "W\*\*", "X\*\*",  
"Y\*\*", "Z\*\*" "D\*" and "Y\*\*"

Electronic Control Options	
#	#

0	No ECU
D	Proportional displacement control
Y	Proportional pressure control

P	Electronic valve with zero displacement default
T	Electronic valve with max displacement default
S	Electronic valve with zero displacement default and hydromechanical Pmax
U	Electronic valve with max displacement default and hydromechanical Pmax
W	Electronic valve with zero displacement default (CANBUS compatible)
Y	Electronic valve with max displacement default (CANBUS compatible)
X	Electronic valve with zero displacement default and hydromechanical Pmax (CANBUS compatible)
Z	Electronic valve with max displacement default and hydromechanical Pmax (CANBUS compatible)

\*\*\* W, X, Y and Z only available with "D\*" and "Y\*\*"

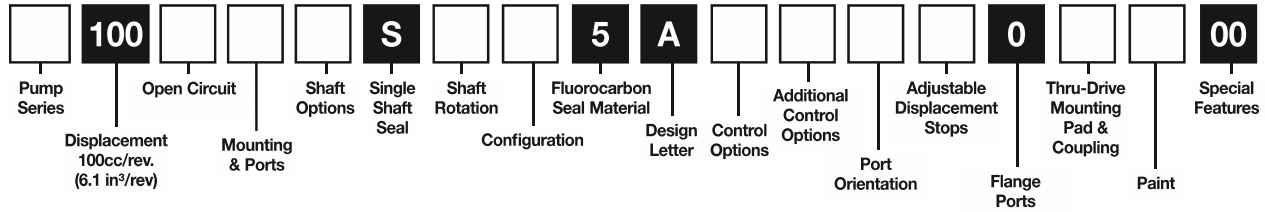
Port Orientation	
E	End Ports
S	Side Ports
T	Side Ports with Thru-Drive

Adjustable Displacement Stops* (For E & S Port Orientation Only)	
0	None
1	Adjustable maximum displacement stop
2	Adjustable minimum displacement stop
3	Adjustable maximum and minimum displacement stop

\*Not available with Thru-Drive

Thru-Drive Mounting Pad/Coupling	
0	No Thru-Drive
A	SAE 82-2 (A), 16 (A), 9T coupling
H	SAE 82-2 (A), 19 (-), 11T coupling
B	SAE 101-2 (B), 22 (B), 13T coupling
Q	SAE 101-2 (B), 25 (B-B), 15T coupling
J	SAE 101-2 (B), rotated 45 degrees, 22 (B), 13T coupling
K	SAE 101-2 (B), rotated 45 degrees, 25 (B-B), 15T coupling
C	SAE 127-4 (C), 32 (C), 14T coupling

Paint	
00	No Paint
PB	Black Paint



Pump Series	
P1	Mobile
PD	Industrial

Open Circuit	
P	Open Circuit (One Side of Center)
X	Open Circuit (100% over Center)

Mounting & Ports	
S	SAE C Pilot SAE Flange Connection Ports with SAE Aux Ports
A	SAE C Pilot Metric Flange Connection Ports with BSPP Aux Ports
M	ISO - 125MM Pilot Metric Flange Connection Ports with Metric Aux Ports
B	ISO - 125MM Pilot, Metric Flange Connection Ports with BSPP Aux Ports

Shaft Options	
01	Splined shaft - SAE C-C 17T
02	Keyed shaft - SAE C-C 38-1
04	Keyed shaft - ISO / DIN 40MM Dia.
06	Splined shaft - SAE C 14T

Shaft Rotation	
R	Clockwise
L	Counterclockwise

Configuration	
M	Mobile (P1)
S	Industrial (PD)
U	Universal

Control Options	
C0	Pressure limiter 1160.30 - 4061.05 PSI (80 - 280 bar)
C1	Pressure limiter 290.08 - 1160.30 PSI (20 - 80 bar)
L0	Load sensing 145.04 - 435.11 PSI ΔP (10 - 30 bar ΔP) with pressure limiter 1160.30 - 4061.05 PSI (80 - 280 bar)
L1	Load sensing 145 - 435 PSI ΔP (10 - 30 bar ΔP) with pressure limiter 290 - 1450 PSI (20 - 100 bar)
L2	Load sensing 145.04 - 435.11 PSI ΔP (10 - 30 bar ΔP) with bleed & pressure limiter 1160.30 - 4061.05 PSI (80 - 280 bar)
AN*	Pilot operated pressure limiter with ISO4401 interface & SAE 4 Vent Port
AM	Pilot operated pressure limiter with mechanical adjustment and SAE 4 Vent Port
AE	Pilot operated pressure limiter with mechanical and electrical adjustment 12 VDC
AF	Pilot operated pressure limiter with mechanical and electrical adjustment 24 VDC
##	See chart below for electronic control options

\*Not functional control as such

Additional Control Options	
0	No other options
2	Displacement sensor **
T	Torque Limiter Control (Used with AM, AN or L0 control options)

\*\*Mandatory with "W\*\*", "X\*\*", "Y\*\*", "Z\*\*", "D\*\*" and "Y\*\*"

Electronic Control Options	
#	#

0	No ECU
D	Proportional displacement control
Y	Proportional pressure control

P	Electronic valve with zero displacement default
T	Electronic valve with max displacement default
S	Electronic valve with zero displacement default and hydromechanical Pmax
U	Electronic valve with max displacement default and hydromechanical Pmax
W	Electronic valve with zero displacement default (CANBUS compatible)
Y	Electronic valve with max displacement default (CANBUS compatible)
X	Electronic valve with zero displacement default and hydromechanical Pmax (CANBUS compatible)
Z	Electronic valve with max displacement default and hydromechanical Pmax (CANBUS compatible)

\*\*\* W, X, Y and Z only available with "D\*" and "Y\*\*"

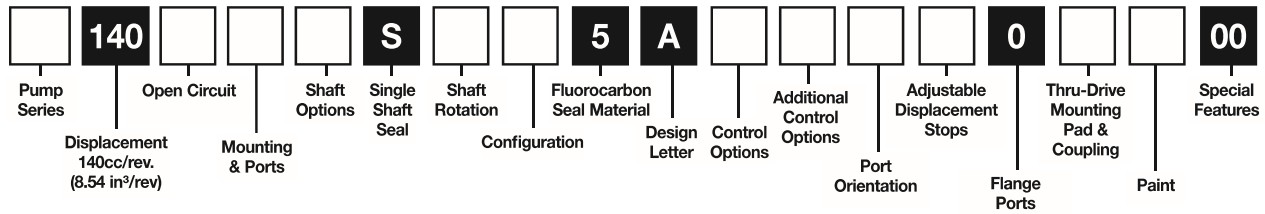
Port Orientation	
E	End Ports
S	Side Ports
T	Side Ports with Thru-Drive

Adjustable Displacement Stops* (For E & S Port Orientation Only)	
0	None
1	Adjustable maximum displacement stop
2	Adjustable minimum displacement stop
3	Adjustable maximum and minimum displacement stop

\*Not available with Thru-Drive

Thru-Drive Mounting Pad/Coupling	
0	No Thru-Drive
A	SAE 82-2 (A), 16 (A), 9T coupling
H	SAE 82-2 (A), 19 (-), 11T coupling
B	SAE 101-2 (B), 22 (B), 13T coupling
Q	SAE 101-2 (B), 25 (B-B), 15T coupling
J	SAE 101-2 (B), rotated 45 degrees, 22 (B), 13T coupling
K	SAE 101-2 (B), rotated 45 degrees, 25 (B-B), 15T coupling
C	SAE 127-4 (C), 32 (C), 14T coupling
N	SAE 127-4 (C), 38 (C-C), 17T coupling

Paint	
00	No Paint
PB	Black Paint



Pump Series	
P1	Mobile
PD	Industrial

Open Circuit	
P	Open Circuit (One Side of Center)
X	Open Circuit (100% over Center)

Mounting & Ports	
S	SAE D Pilot SAE Flange Connection Ports with SAE Aux Ports
A	SAE D Pilot BSPP Flange Connection Ports with BSPP Aux Ports
M	ISO - 180MM Pilot Metric Flange Connection Ports with Metric Aux Ports
B	ISO - 180MM Pilot Metric Flange Connection Ports with BSPP Aux Ports

Shaft Options	
01	Splined shaft - SAE D 13T
02	Keyed shaft - SAE D 44-1
04	Keyed shaft - ISO / DIN 50MM Dia.

Shaft Rotation	
R	Clockwise
L	Counterclockwise

Configuration	
M	Mobile (P1)
S	Industrial (PD)
U	Universal

Control Options	
C0	Pressure limiter 1160.30 - 4061.05 PSI (80 - 280 bar)
C1	Pressure limiter 290.08 - 1160.30 PSI (20 - 80 bar)
L0	Load sensing 145.04 - 435.11 PSI ΔP (10 - 30 bar ΔP) with pressure limiter 1160.30 - 4061.05 PSI (80 - 280 bar)
L1	Load sensing 145 - 435 PSI ΔP (10 - 30 bar ΔP) with pressure limiter 290 - 1450 PSI (20 - 100 bar)
L2	Load sensing 145.04 - 435.11 PSI ΔP (10 - 30 bar ΔP) with bleed & pressure limiter 1160.30 - 4061.05 PSI (80 - 280 bar)
AN*	Pilot operated pressure limiter with ISO4401 interface & SAE 4 Vent Port
AM	Pilot operated pressure limiter with mechanical adjustment and SAE 4 Vent Port
AE	Pilot operated pressure limiter with mechanical and electrical adjustment 12 VDC
AF	Pilot operated pressure limiter with mechanical and electrical adjustment 24 VDC
##	See chart below for electronic control options

Port Orientation	
E	End Ports
S	Side Ports
T	Side Ports with Thru-Drive

Adjustable Displacement Stops* (For E & S Port Orientation Only)	
0	None
1	Adjustable maximum displacement stop
2	Adjustable minimum displacement stop
3	Adjustable maximum and minimum displacement stop

\*Not available with Thru-Drive

Thru-Drive Mounting Pad/Coupling	
0	No Thru-Drive
A	SAE 82-2 (A), 16 (A), 9T coupling
B	SAE 101-2 (B), 22 (B), 13T coupling
Q	SAE 101-2 (B), 25 (B-B), 15T coupling
J	SAE 101-2 (B), rotated 45 degrees, 22 (B), 13T coupling
K	SAE 101-2 (B), rotated 45 degrees, 25 (B-B), 15T coupling
C	SAE 127-4 (C), 32 (C), 14T coupling
N	SAE 127-4 (C), 38 (C-C), 17T coupling
D	SAE 152-4 (D), 44 (D), 13T coupling

Paint	
00	No Paint
PB	Black Paint

\*Not functional control as such

Additional Control Options	
0	No other options
2	Displacement sensor **
T	Torque Limiter Control (Used with AM, AN or L0 control options)

\*\*Mandatory with "W\*\*", "X\*\*", "Y\*\*", "Z\*\*" "D\*" and "Y\*\*"

Electronic Control Options	
#	#

0	No ECU
D	Proportional displacement control
Y	Proportional pressure control

P	Electronic valve with zero displacement default
T	Electronic valve with max displacement default
S	Electronic valve with zero displacement default and hydromechanical Pmax
U	Electronic valve with max displacement default and hydromechanical Pmax
W	Electronic valve with zero displacement default (CANBUS compatible)
Y	Electronic valve with max displacement default (CANBUS compatible)
X	Electronic valve with zero displacement default and hydromechanical Pmax (CANBUS compatible)
Z	Electronic valve with max displacement default and hydromechanical Pmax (CANBUS compatible)

\*\*\* W, X, Y and Z only available with "D\*" and "Y\*\*"



**Technical Data**

Model	P1/PD 018	P1/PD 028	P1/PD 045	P1/PD 060	P1/PD 075	P1/PD 100	P1/PD 140
Maximum Displacement, cm <sup>3</sup> /rev cu.in./rev	18 1.10	28 1.71	45 2.75	60 3.66	75 4.58	100 6.01	140 8.54
Outlet Pressure – Continuous, bar psi	280 4000						
Intermittent*, bar psi	320 4500						
Peak, bar psi	350 5000						
P1 Maximum Speed (1.3 bar abs inlet), rpm	3600	3400	3100	2800	2700	2500	2400
P1 (1.0 bar abs inlet), rpm	3300	3200	2800	2500	2400	2100	2100
P1 (0.8 bar abs inlet), rpm	2900	2900	2400	2200	2100	1900	1800
PD Maximum Speed (1.0 bar abs inlet), rpm	1800						
PD (0.8 bar abs inlet), rpm	1800						
Minimum Speed, rpm	600						
Inlet Pressure – Maximum, bar psi	10 (gage) 145						
Rated, bar psia	1.0 absolute (0.0 gage) 14.5						
Minimum, bar psia	0.8 absolute (-0.2 gage) 11.6						
Case Pressure – Peak, bar	4.0 absolute (3.0 gage) and less than 0.5 bar above inlet pressure						
Rated, bar	2.0 absolute (1.0 gage) and less than 0.5 bar above inlet pressure						
Fluid Temperature Range, °C °F	-40 to +95 -40 to +203						
Fluid Viscosity – Rated, cSt	6 to 160						
Max. Intermittent, cSt	5000 (for cold starting)						
Min. Intermittent, cSt	5						
Fluid Contamination – Rated, ISO	20/18/14						
Maximum, ISO	21/19/16						
SAE Mounting – Flange	82-2 (A)	101-2 (B)	101-2 (B)	127-2 (C) or 127-4 (C)	127-4 (C)	152-4 (D)	
ISO Mounting - Flange	80 mm	100 mm	100 mm	125 mm	125 mm	125 mm	180 mm
SAE Keyed Shafts	19-1, A	25-1, BB	25-1, BB	32-1, C	32-1, C	38-1, CC	44-1, D
ISO Keyed Shafts	20 mm	25 mm	25 mm	32 mm	32 mm	40 mm	50 mm
SAE Spline Shafts	9T, A 11T, A	13T, B 15T, BB	13T, B 15T, BB	14T, C	14T, C	17T, CC	13T, D
Weight – End Port, kg (lb)	13.4 (29.5)	17.7 (39.0)	23 (50)	29 (64)	30 (66)	51 (112)	66 (145)
Side Port, kg (lb)	14.2 (31.3)	18.1 (40.0)	24 (52)	30 (67)	31 (68)	53 (117)	67 (147)
Thru-Drive, kg (lb)	—	22 (48)	27 (59)	34 (75)	35 (77)	55 (121)	82 (180)
Moment of Inertia kg·mm <sup>2</sup>	760	1555	3208	4548	5041	12027	21400
Moment of Inertia Thru-Drive kg·mm <sup>2</sup>	793	1618	3268	4687	5207	12402	22343

\*Intermittent pressure is defined as less than 10% of operation time, not exceeding 6 successive seconds.

**Typical Control Reponse Times\***

Control Description	Pump Operating Condition	Typical Control Response Time (ms)						
		018	028	045	060	075	100	140
"C" Pressure Limiter	Maximum Displacement to Zero	25	25	25	37	21	26	30
	Zero Displacement to Maximum	80	80	106	119	89	108	125
"L" Load Sensing	Maximum Displacement to Zero	40	40	30	54	40	43	45
	Zero Displacement to Maximum	70	70	120	186	97	189	280
"A" Pilot Operated Control	Maximum Displacement to Zero	25	25	46	43	37	39	40
	Zero Displacement to Maximum	80	80	131	125	115	123	130

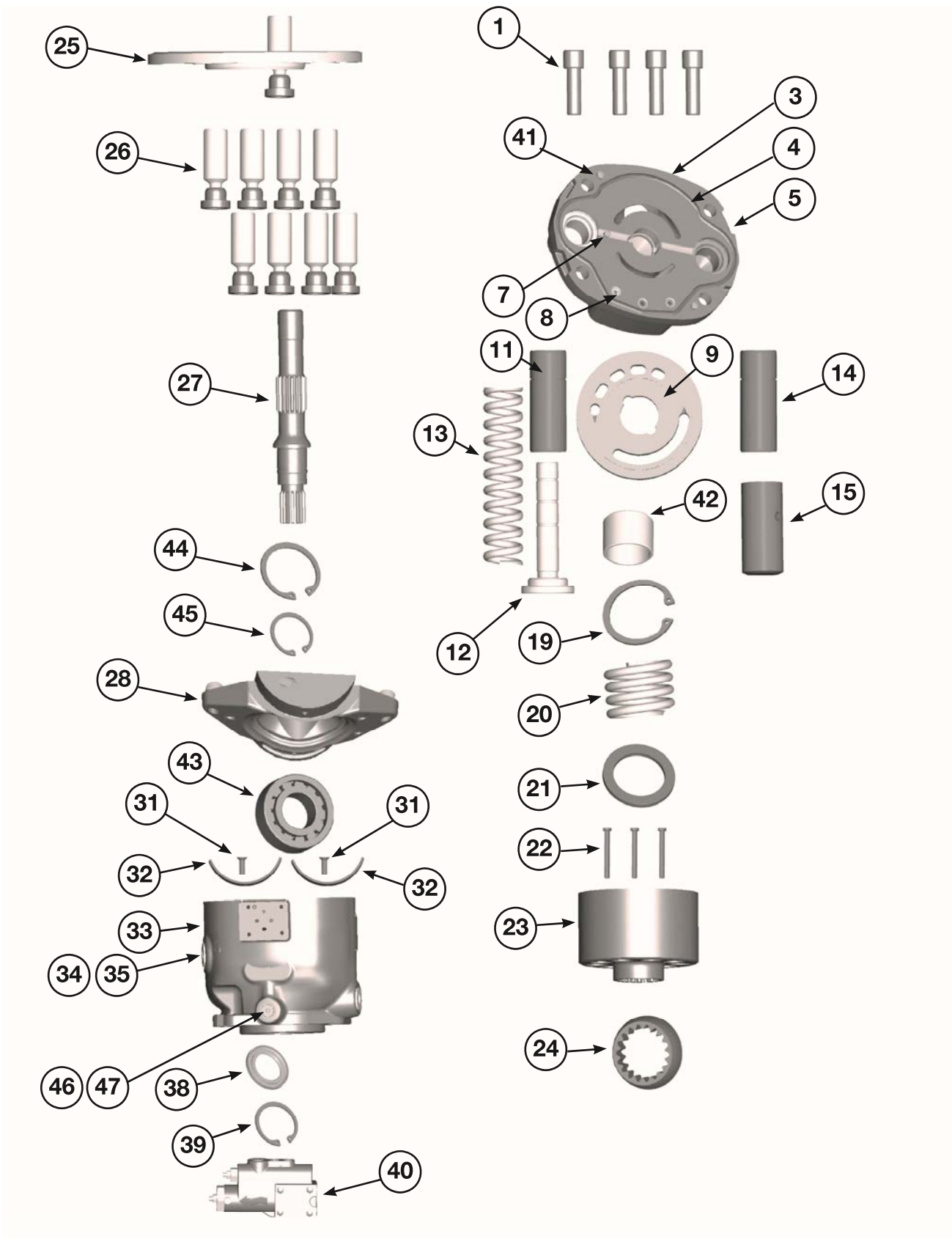
\* Based on NFPA testing standards

**For max volume stops:**

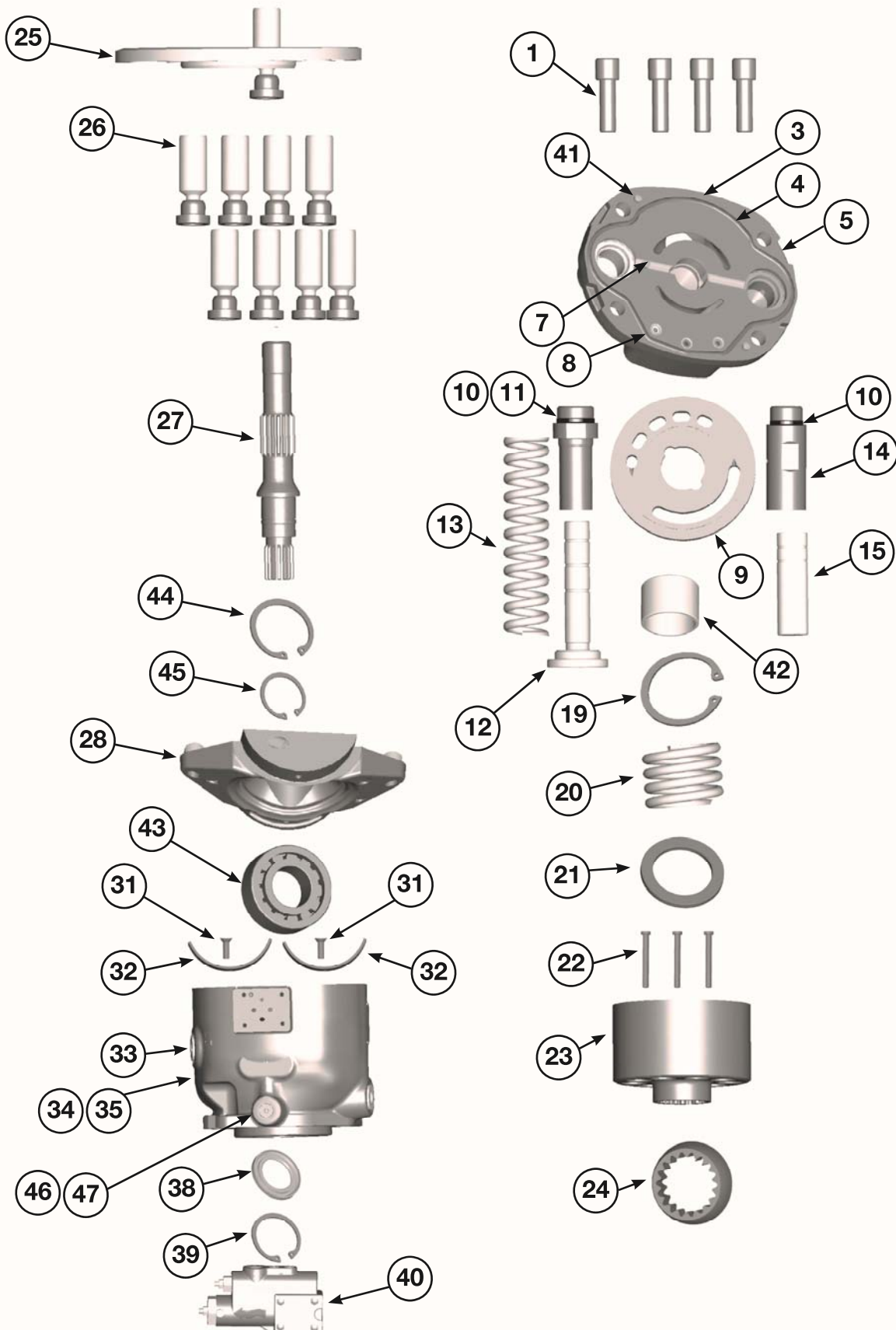
Pump Size	% Stroke reduction per turn
P*060	6.76
P*075	6.2
P*100	5.5
P*140	4.8

**Control Adjustment Sensitivity:**

- Load Sense 28 Bar/Turn
- Pressure Compensator 80 to 280 bar range (C0) = 40 Bar/Turn
- Pressure Compensator 20 to 80 bar range (C1) = 18.6 Bar/Turn
- Pressure compensator (AM) 10 to 40 bar range = 20 Bar/Turn





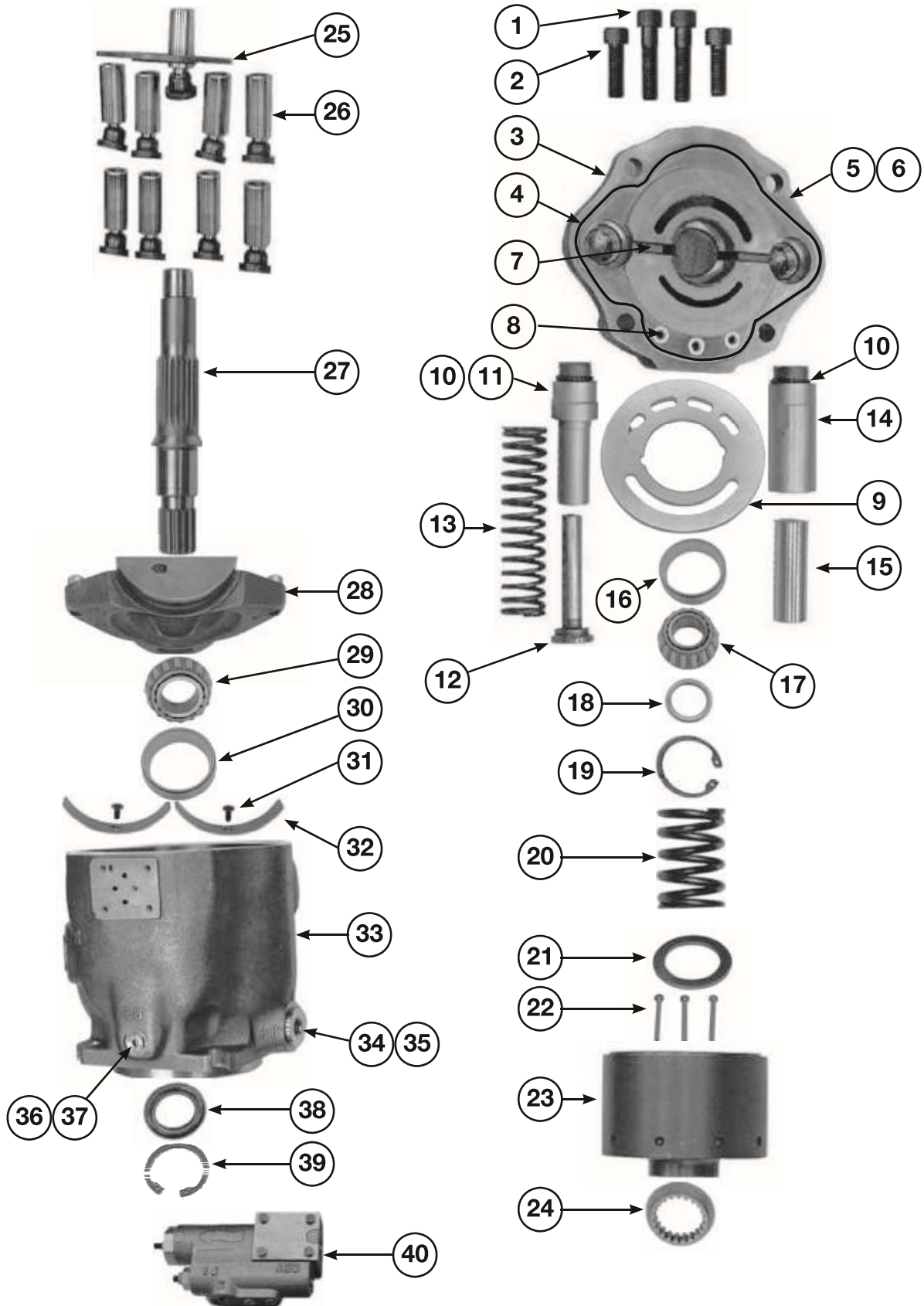


ITEM #	QTY	018 PART #	028 PART #	045 PART #	DESCRIPTION
1	4	210 x209	210 x 211	361-12229-0	Socket head cap screw
3	1	Contact Factory for port block ordering information			Port Block
4*	1	2050V-7	2160V-7	675-00162-0	Port block O-Ring
5	2	108X2V	108X2V	108X2V	Boss Plug (not shown)
7	1	299X67	324-30014-0	324-30014-0	Port Plate Pin
8*	3	605-10077-0	605-10077-0	605-10077-0	O-Ring
9	1	03E-94415-0	03E-94969-0	03E-94339-0	Port plate, clockwise, industrial (PD)
		03E-94414-0	03E-94970-0	03E-94340-0	Port plate, counter clockwise, industrial (PD)
		03E-94413-0	03E-94969-0	03E-94341-0	Port plate, clockwise, mobile (P1)
		03E-94416-0	03E-94970-0	03E-94342-0	Port plate, counter clockwise, mobile (P1)
		03E-94963-0	03E-94376-0	03E-95374-0	Port plate, CW, industrial (PD), ripple chamber
		03E-94964-0	03E-94377-0	03E-95080-0	Port plate, CCW, industrial (PD), ripple chamber
		03E-94965-0	03E-94378-0	03E-95374-0	Port plate, clockwise, mobile (P1), ripple chamber
		03E-94966-0	03E-94379-0	03E-95375-0	Port plate, CCW, mobile (P1), ripple chamber
10*	2	**	**	695-00912-0	Bias and control rod O-ring
11	1	03E-94427-0	03E-94390-0	03E-94355-0	Bias Guide
12	1	03E-94428-0	03E-94391-0	03E-94354-0	Bias Piston
13	1	03E-94430-0	03E-94393-0	03E-94356-0	Bias Spring
14	1	03E-94427-0	03E-94390-0	03E-94353-0	Control guide
15	1	03E-94426-0	03E-94389-0	03E-94352-0	Control piston
19	1	256X521	256X525	356-65144-0	Retaining ring, internal
20	1	787635	03E-94387-0	03E-94350-0	Barrel hold down spring
21	2	786996	03E-94388-0	03E-94351-0	Barrel hold down washer
22	3	787000	03E-94386-0	03E-95903-0	Barrel hold down pin
23	1	03E-94717-0	03E-94375-0	03E-94338-0	Barrel
24	1	787002	03E-94385-0	03E-94348-0	Spherical washer
25	1	786994	03E-94384-0	03E-94347-0	Retainer plate
26	9	789641	S2E-18415-0	S2E-18413-0	Piston and shoe assembly
27	1	03E-94409-0	03E-94372-0	03E-94335-0	01 shaft option, no thru drive
		03E-94411-0	03E-94374-0	03E-94337-0	01 shaft option with thru drive
		03E-94410-0	03E-94373-0	03E-94948-0	02 shaft option, no thru drive
		03E-94806-0	03E-94900-0	03E-94908-0	02 shaft option with thru drive
		03E-94800-0	03E-94903-0	03E-94923-0	04 shaft option, no thru drive
		03E-94801-0	03E-94904-0	03E-94922-0	04 shaft option with thru drive
		03E-94718-0	**	**	06 shaft option, no thru drive
		**	**	**	06 shaft option with thru drive
		03E-94804-0	03E-95166-0	03E-94990-0	08 shaft option, no thru drive
03E-94762-0	03E-95492-0	03E-95197-0	08 shaft option with thru drive		
28	1	S2E-19079-0	S2E-18414-0	S2E-18412-0	Cam
31	2	03E-94359-0	03E-94359-0	03E-94359-0	Bearing retainer Orifice
32	2	03E-94432-0	03E-94395-0	03E-94358-0	Cam bearing
33	1	**	**	**	Housing (not sold seperatley)
34	2	108X6	108X8	488-35055-0	Plug, SAE ORB
		Consult Parker Rep.			Plug, BSPP
		Consult Parker Rep.			Plug, ISO
35*	2	695-00908-0	695-00908-0	695-00910-0	SAE O-ring
38*	1	787140	P2-060-3304	620-82125-5	Shaft Seal
39	1	256X535	256X544	356-65158-0	Seal Retainer
40	1	see separate compensator ordering information			Compensator
41	2	324-30024-0	324-30024-0	324-30014-0	Cover dowel pin
42	1	216-10013-0	789814	230-82227-0	Port block bushing
43	1	230-82514-0	789815	230-82516-0	Cylindrical roller bearing
44	1	256X222	256X222	356-65159-0	External retaining ring (shaft)
45	1	256X544	256X544	356-65144-0	Internal retaining ring (housing)
46	1	108X4	108X4	108X4	Boss plug
47*	1	695-00904-0	695-00904-0	695-00904-0	O-ring

\* Denotes item is included in the seal kit

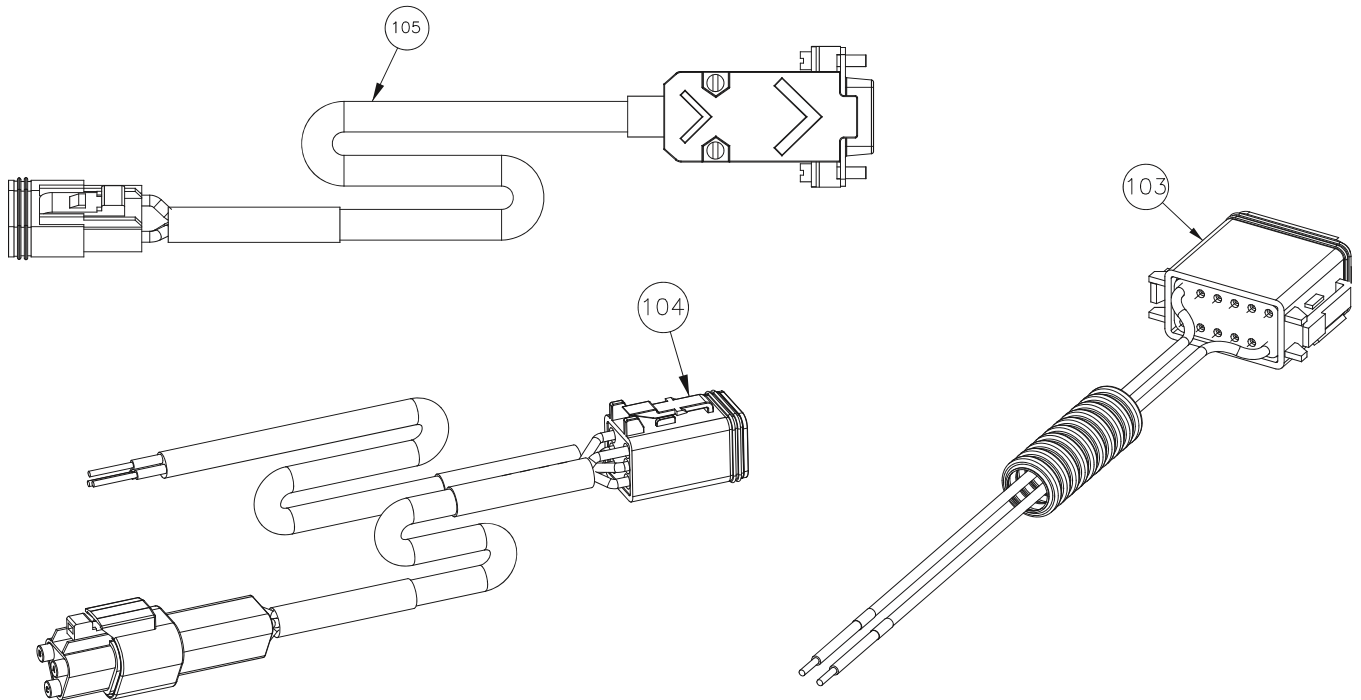
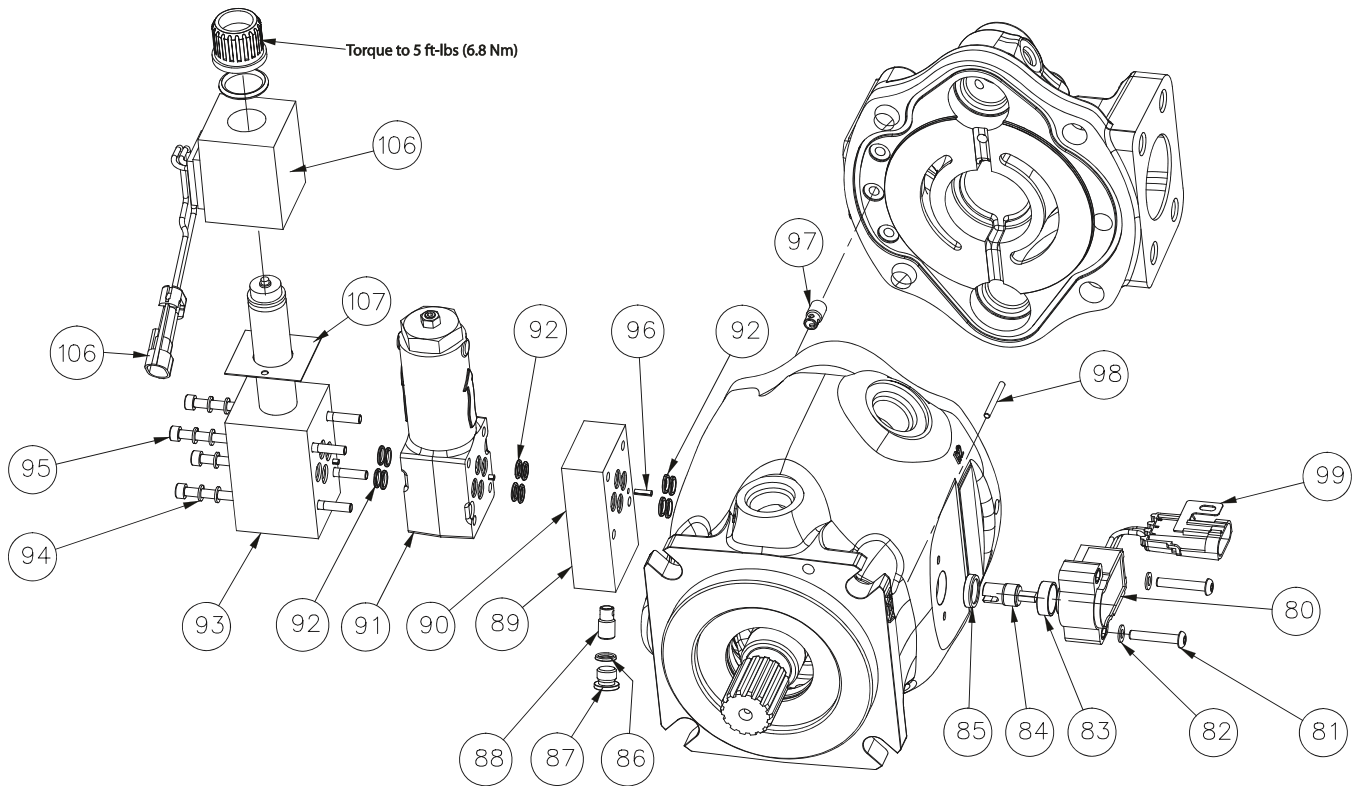






ITEM #	QTY	060 PART #	075 PART #	100 PART #	140 PART #	DESCRIPTION
1	4 (2:075)	361-13250-0	361-13270-0	361-14290-0	361-15270-0	Socket head cap screw
2	0 (2:075)	**	361-13250-0	**	**	Socket head cap screw (075 only)
3	1	Contact factory for port block ordering information.				Port Block
4*	1	675-00164-0	675-00165-0	675-00169-0	675-00173-0	Port block O-Ring
5	2	488-35001-0	488-35001-0	488-35001-0	488-35001-0	Boss Plug (not shown)
6*	2	695-00904-0	695-00904-0	695-00904-0	695-00904-0	O-ring boss plug
7	1	324-30014-0	324-30014-0	324-30014-0	324-30014-0	Port Plate Pin
8*	3	605-10077-0	605-10077-0	605-10070-0	605-10070-0	O-Ring
9	1	03E-94038-0	03E-93169-0	03E-95605-0	03E-93252-0	Port plate, clockwise, industrial (PD)
		03E-94039-0	03E-93170-0	03E-95606-0	03E-93253-0	Port plate, counter clockwise, industrial (PD)
		03E-94040-0	03E-93171-0	03E-95607-0	03E-93254-0	Port plate, clockwise, mobile (P1)
		03E-94041-0	03E-93172-0	03E-95608-0	03E-93255-0	Port plate, counter clockwise, mobile (P1)
10*	2	695-00912-0	695-00912-0	695-00914-0	695-00916-0	Bias and control rod O-ring
11	1	03E-94054-0	03E-93150-0	03E-93800-0	03E-93248-0	Bias Guide
		**	03E-94498-0	03E-94827-0	03E-94743-0	Bias Guide, Overcenter Order Code Option "X"
12	1	03E-94053-0	03E-93149-0	03E-93799-0	03E-94658-0	Bias Piston
		**	**	**	—	—
		**	**	**	—	—
13	1	03E-94055-0	03E-93151-0	03E-93801-0	03E-93963-0	Bias Spring
		**	03E-94499-0	03E-94829-0	03E-94752-0	Bias Spring, Overcenter Order Code Option "X"
14	1	03E-94052-0	03E-93148-0	03E-93798-0	03E-93246-0	Control guide
		**	03E-94608-0	03E-94828-0	03E-93246-0	Control guide, Overcenter Order Code Option "X"
15	1	03E-94051-0	03E-93147-0	03E-93797-0	03E-94252-0	Control piston
		**	03E-93147-0	03E-93797-0	03E-94751-0	Control piston, Overcenter Order Code Option "X"
16	1	230-82237-0	230-82237-0	230-82244-0	230-82239-0	Tapered roller bearing cup
17	1	INCLUDED IN ITEM 16		230-82518-0	INCLUDED IN ITEM 16	Tapered roller bearing cone
18	1	S2E-18591-0K	S2E-18591-0K	S2E-18640-OK	S2E-18527-0K	Bearing Shim Kit (includes all standard shim sizes)
19	1	356-65152-0	356-65144-0	356-65146-0	356-65147-0	Retaining ring, internal
20	1	03E-94049-0	03E-93145-0	03E-93795-0	03E-93959-0	Barrel hold down spring
21	1	03E-94050-0	03E-93146-0	03E-93796-0	03E-93244-0	Barrel hold down washer
22	3	03E-95904-0	03E-95905-0	03E-95906-0	03E-95907-0	Barrel hold down pin
23	1	03E-94036-0	03E-93129-0	03E-95603-0	03E-93242-0	Barrel
24	1	03E-94047-0	03E-93142-0	03E-93794-0	03E-93241-0	Spherical washer
25	1	03E-94046-0	03E-93139-0	03E-93793-0	03E-93240-0	Retainer plate
26	9	S2E-18296-0	S2E-17003-0	S2E-17912-0	S2E-17323-0	Piston and shoe assembly
27	1	03E-94032-0	03E-93999-0	03E-93779-0	03E-93227-0	01 shaft option, no thru drive
		03E-94033-0	03E-94000-0	03E-93780-0	03E-93228-0	01 shaft option with thru drive
		03E-94034-0	03E-94001-0	03E-93781-0	03E-93231-0	02 shaft option, no thru drive
		03E-94035-0	03E-94002-0	03E-93782-0	03E-93232-0	02 shaft option with thru drive
		03E-94768-0	03E-94003-0	03E-94006-0	03E-93233-0	04 shaft option, no thru drive
		03E-94767-0	03E-93127-0	03E-94007-0	03E-93234-0	04 shaft option with thru drive
		**	**	03E-94500-0	03E-95070-0	06 shaft option, no thru drive
28	1	S2E-18411-0	S2E-17443-0	S2E-17961-0	S2E-17957-0	Cam
29	1	230-82236-0	230-82236-0	230-82519-0	230-82241-0	Tapered roller bearing cone (and cup 140)
30	1	230-82235-0	230-82235-0	230-82245-0	**	Tapered roller bearing cup
31	2	03E-93763-0	03E-93763-0	03E-93763-0	03E-93763-0	Bearing retainer Orifice
32	2	03E-94057-0	03E-93950-0	03E-93952-0	03E-93953-0	Cam bearing
33	1	**	**	**	**	Housing (not sold separately)
34	2	488-35014-0	488-35014-0	488-35014-0	488-35024-0	Plug, SAE ORB
		447-01056-2	447-01056-2	447-01056-2	477-01068-2	Plug, BSPP
		447-01065-5	447-01065-5	447-01065-5	477-01066-5	Plug, ISO
35*	2	695-00910-0	695-00910-0	695-0912-0	695-0916-0	SAE O-ring
36	1	488-35061-0	488-35061-0	488-35061-0	488-35061-0	Plug, SAE ORB
		447-01053-2	447-01053-2	447-01053-2	447-01053-2	Plug, BSPP
		447-01061-5	447-01061-5	447-01061-5	447-01061-5	Plug, ISO
37*	1	695-00904-0	695-00904-0	695-00904-0	695-00904-0	SAE O-ring
		605-10064-5	605-10061-5	605-10061-5	605-10061-5	BSPP O-ring
38*	1	620-82118-5	620-82118-5	620-82121-5	620-82120-5	Shaft Seal
39	1	356-65146-0	356-65146-0	356-65147-0	356-65148-0	Seal Retainer
40	1	See separate compensator ordering information.				Compensator

\* Denotes item is included in the seal kit

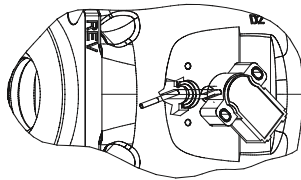


RDEC Parts list			
ITEM #	QTY	Part #	DESCRIPTION
80	1	03E-95420-0	Rotary Position sensor
81	2	210X73	Socket head cap screw
82	2	234X7	Washer
83	1	03E-95249-0	Position sensor spacer
84	1	03E-95201-0	Shaft position connector 18 and 45 thru 75
		03E-95545-0	Shaft position connector 28
		03E-95205-0	Shaft position connector 100 and 140
85	1	789764	Seal
86	1	675-00904-0	O-Ring Seal
87	1	108X4V	O-Ring boss plug
88	1	S13-40266-0	Check Valve
89	1	S2E-19182-5	External Servo Assembly*
90	1	03E-95347-0	External servo manifold
91	1	S2E-19174-5	Maximum pressure valve CCW
		S2E-19173-5	Maximum pressure valve CW
92	12	605-10069-0	O-Ring Seal
93	1	517-00178-5	Proportional valve 0 disp default CW
		517-00180-5	Proportional valve max disp default CW
		517-00179-5	Proportional valve 0 disp default CCW
		517-00181-5	Proportional valve max disp default CCW
94	8	350-10167-0	Lock Washer
95	4	361-07360-8	Socket head cap screw**
		210x105	Socket head cap screw***
		210x110	Socket head cap screw****
96	1	325-36002-0	Roll Pin
97	1	S13-40266-0	Check Valve
98	1	03E-94859-0	Cam pin
99	1	S2E-19190-0K	Position sensor mating connector
100	1	S2E-19254-0	Electronic control unit (not shown)
101	1	S2E-19192-5K	Pressure sensor kit UNC threads(not shown)
		S2E-19523-5K	Pressure sensor kit BSPP threads (not shown)
102	1	S2E-19191-0K	Pressure sensor mating connector (not shown)
103	1	S2E-19179-0	12 Pin cable assembly
104	1	S2E-19259-0	CAN communication cable
105	1	S2E-19180-0	Control communication cable
106	1	1210694	Standard Coil
107	1	121459	Gasket

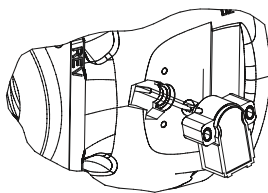
\* Item 89 includes items 86, 87, 88, 90, 92 and 96  
\*\* Used on control options S/X/U/Z  
\*\*\* Used on pumps without overcenter capability (P) and control options P/W/T/Y  
\*\*\*\* Used on pumps with over center capability (X) and control options P/W/T/Y

### Displacement Sensor Installation

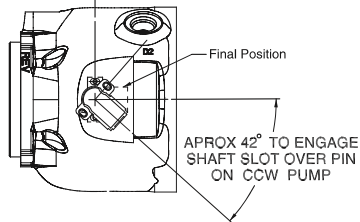
CCW PUMPS



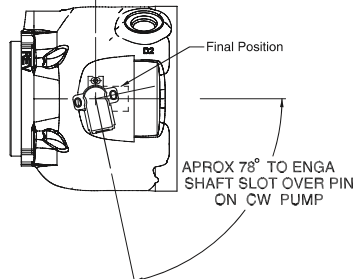
CW PUMPS

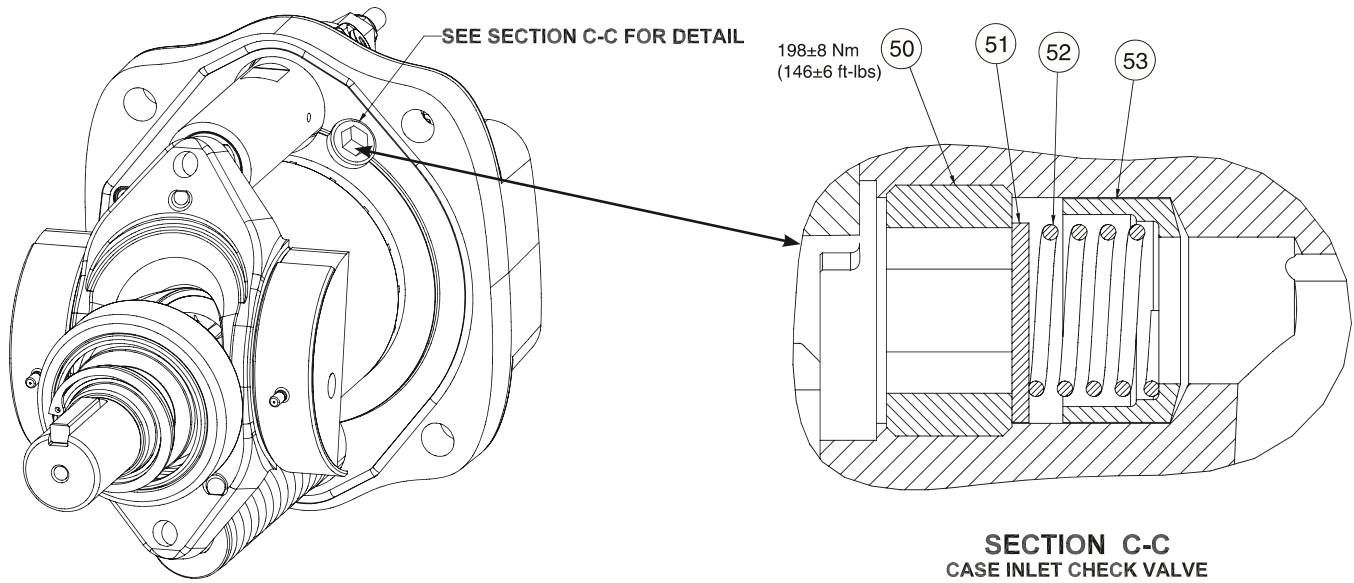


After engaging shaft slot to pin, hold sensor flush to pump pad and rotate to align screw slots to screw holes. Secure with screws & washers, 2 places.



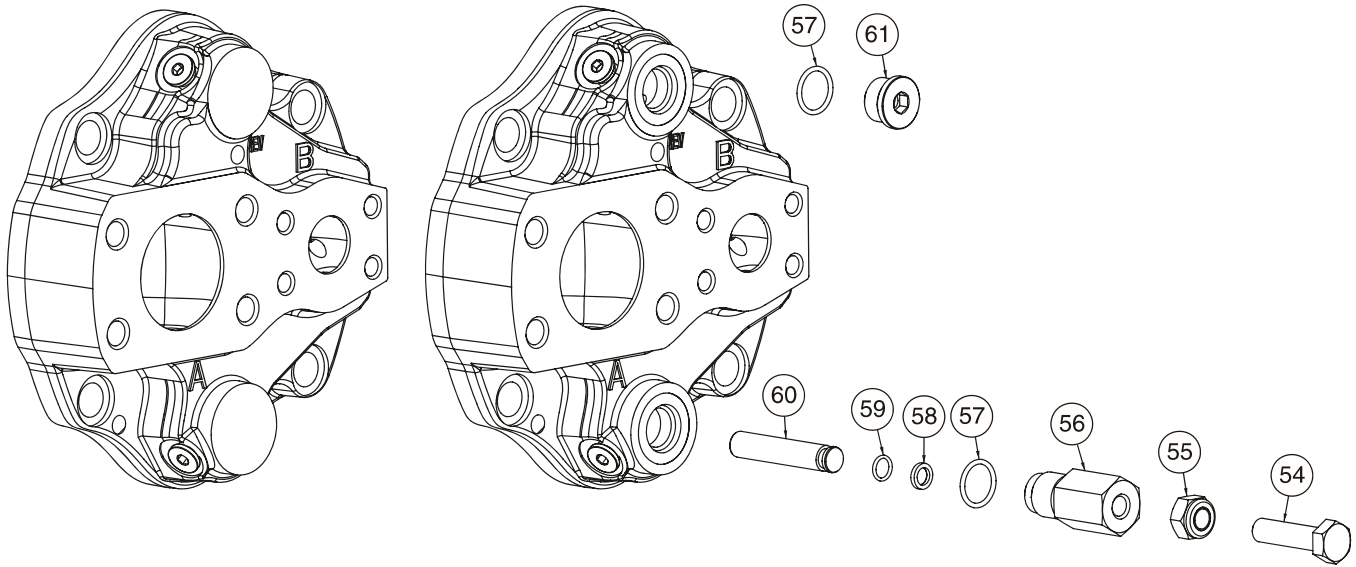
After engaging shaft slot to pin, hold sensor flush to pump pad and rotate to align screw slots to screw holes. Secure with screws & washers, 2 places.





CASE TO INLET CHECK VALVE				
Item No	Qty	018, 028, 045	060, 075, 100, 140	Description
50	1	314-10002-0	314-10000-0	Hollow Set Screw
51	1	03E-94720-0	03E-93931-0	Check Valve Poppet
52	1	03E-94721-0	03E-93987-0	Spring
53	1	03E-94722-0	03E-93988-0	Check Valve Stop

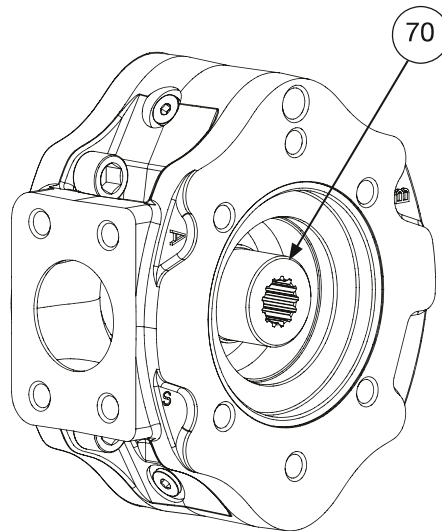




Volume Stop Kits									
Item #	Qty	018	028	045	060	075	100	140	Description
54	1			Order Kit					Adjusting Screw
55	1			Order Kit					Adjusting Screw Lock Nut
56	1			Order Kit					Volume Stop Plug
57	1			Order Kit					Volume Stop Plug O-ring
58	1			Order Kit					Backup Ring
59	1			Order Kit					Volume Stop Rod O-ring
60	1			Order Kit					Volume Stop Rod
61	1			Order Kit					Plug (No Volume Stop)
KIT		S2E-19203-5	S2E-19204-5	S2E-19114-5	S2E-18987-5K	S2E-18988-5K			Maximum Volume Stop Kit
KIT		S2E-19208-5	**	S2E-19114-5	Use Above				Minimum Volume Adjustment Kit

\*\* Contact HPD technical support

**Maximum and minimum volume stops use the same components except where noted.**



Thru Drive Pad Coupling #70	Thru Drive Couplings							O-ring
	018	028	045	060	075	100	140	
SAE A, 9 Tooth	S2E-19538-0	S2E-19364-0	03E-94942-0	03E-93278-0	03E-93278-0	03E-94274-0	03E-93947-0	695-00237-0
SAE A, 11 Tooth	S2E-19726-0	S2E-19391-0	03E-94943-0	03E-94724-0	03E-94724-0	03E-94657-0	**	695-00237-0
SAE B, 13 Tooth	**	S2E-19365-0	03E-94945-0	03E-93277-0	03E-93277-0	03E-94273-0	03E-93946-0	695-00243-0
SAE BB, 15 Tooth	**	S2E-19409-0	03E-94361-0	03E-93279-0	03E-93279-0	03E-94272-0	03E-93945-0	695-00243-0
SAE C, 14 Tooth	**	**	**	03E-93276-0	03E-93276-0	03E-94271-0	03E-93944-0	695-00251-0
SAE CC, 17 Tooth	**	**	**	**	**	03E-94270-0	03E-93943-0	695-00251-0
SAE D&E, 13 Tooth	**	**	**	**	**	**	03E-93942-0	695-00259-0

Seal Kits	018	028	045	060	075	100	140
		S2E-18709-5K	S2E-19118-5K	S2E-19066-5K	S2E-18697-5K	S2E-18004-5K	S2E-18460-5K

Note: Seal kits contain all the seals required for any pump configuration.

Rotating Group Kits	018	028	045	060	075	100	140
CW Mobile P1	S2E-18710-0K	S2E-19119-0K	S2E-19067-0K	S2E-18698-0K	S2E-18032-0K	S2E-18485-0K	S2E-18489-0K
CW Mobile P1 with Ripple Chamber	S2E-19205-0K	S2E-19209-0K	S2E-19235-0K	**	**	**	**
CCW Mobile P1	S2E-18711-0K	S2E-19120-0K	S2E-19068-0K	S2E-18699-0K	S2E-18033-0K	S2E-18486-0K	S2E-18490-0K
CCW Mobile P1 w/ Ripple Chamber	S2E-19206-0K	S2E-19210-0K	S2E-19236-0K	**	**	**	**
CW Industrial PD	S2E-18712-0K	S2E-19121-0K	S2E-19069-0K	S2E-18700-0K	S2E-18483-0K	S2E-18487-0K	S2E-18491-0K
CW Industrial PD w/ Ripple Chamber	S2E-19207-0K	S2E-19211-0K	S2E-19126-0K	**	**	**	**
CCW Industrial PD	S2E-18713-0K	S2E-19122-0K	S2E-19070-0K	S2E-18701-0K	S2E-18484-0K	S2E-18488-0K	S2E-18492-0K
CCW Industrial PD w/ Ripple Chamber	S2E-19208-0K	S2E-19212-0K	S2E-19127-0K	**	**	**	**

Rotating Group Kit includes barrel s/a, pistons, retainer, washer, pins, port plate

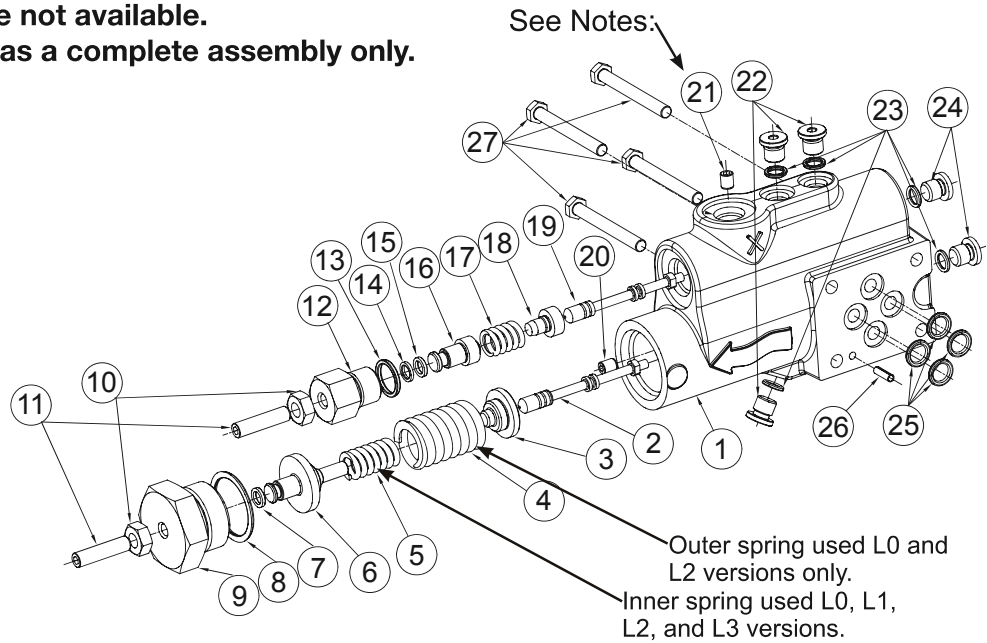
Torque Limiter Control Kits	045	060	075	100	140
Torque Limiter Kit for AMT Control	S2E-19102-5	S2E-19033-5	S2E-18720-5	S2E-18888-5	S2E-18963-5
Torque Limiter Kit for ALT Control	See Note		**	**	**
Torque Limiter Kit for LOT	**	**	S2E-18721-5	S2E-18759-5	S2E-18739-5

Torque Limiter Kits includes cartridge assembly, tubing and fittings.

**Note:** AM control can be converted to an AL control with conversion kit S2E-19117-0.

European customers will receive a solid spool in this kit. US customer will receive a set screw to plug orifice in spool.

**NOTE: Individual parts are not available.  
 The compensator is sold as a complete assembly only.**

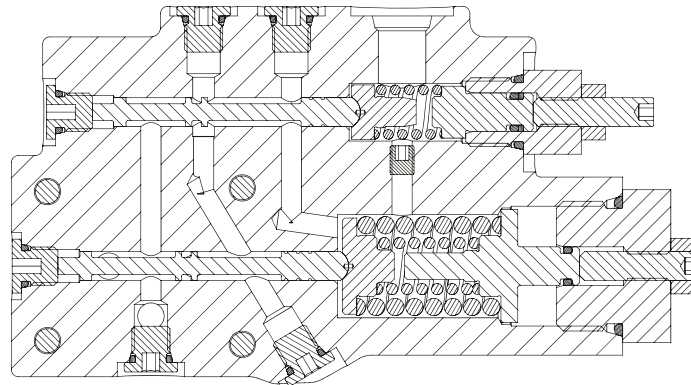


**Compensator Part Number**

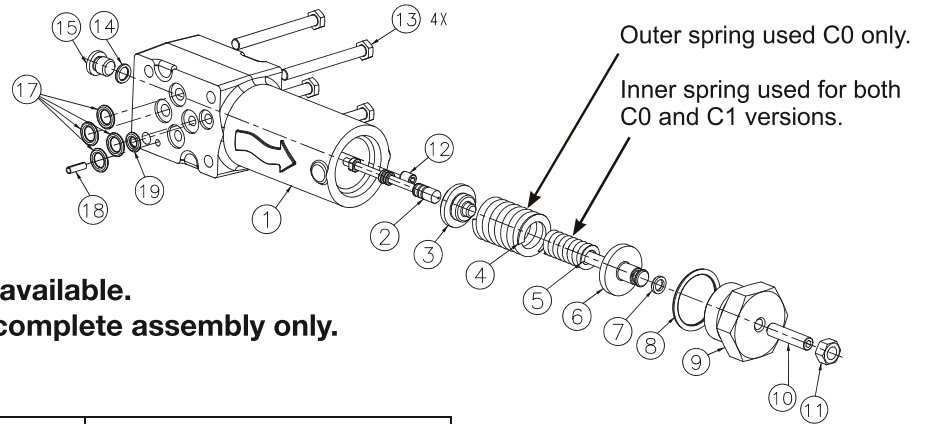
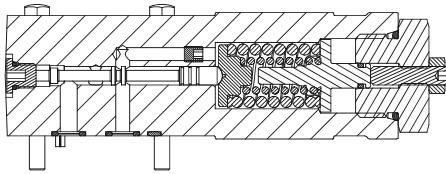
Port	Rotation	L0 80 - 280bar (1150 - 4000 psi)	L1 20 - 100 bar (300 - 1150 psi)	L2 80 - 280bar (1150 - 4000 psi)	L3 20 - 80 bar (300 - 1150 psi)
SAE	CW	S2E-19051-5T	S2E-18245-5T	S2E-18584-5 T	N/A
	CCW	S2E-19053-5T	S2E-18244-5T	S2E-18586-5 T	N/A
ISO	CW	S2E-19467-5T	N/A	N/A	N/A
	CCW	S2E-19245-5T	N/A	N/A	N/A
BSPP	CW	S2E-17937-5T	N/A	N/A	N/A
	CCW	S2E-17936-5T	N/A	N/A	N/A

Item No.	Qty	Description	NOTES / Tightening Torque
1	1	Compensator Body	
2	1	Main Compensator Spool	
3	1	Main Compensator Spring Seat	
4	1	Main Compensator Outer Spring	L0 & L2 versions only
5	1	Main Compensator Inner Spring	
6	1	Main Compensator Spring Seat & Piston	
7	2	Compensator Seal Piston O-ring	

Table CONTINUED on next page.



Item No.	Qty	Description	NOTES / Tightening Torque	
8	1	Main Compensator Spring cap O-ring		
9	1	Main Compensator Spring cap	115 ± 7 N-m (85 ± 5 ft-lbs)	
10	2	Adjusting screw locknut	7.9 ± 0.8 N-m (70 ± 7 in-lbs)	
11	2	Adjusting screw		
12	1	Load Sense Compensator Spring cap	36.5 ± 1.5 N-m (27 ± 1 ft-lbs)	
13	1	Load Sense Compensator Spring cap O-ring		
14	1	Load Sense Compensator Piston backup ring		
15	1	Load Sense Compensator Piston O-ring		
16	1	Load Sense Compensator Seal Piston		
17	1	Load sense compensator spring		
18	1	Load sense compensator spring seat		
19	1	Load sense compensator spool		
20	1	Socket set screw	(Loctite 242) 3.4 ± 0.4 N-m (30 ± 3 in-lbs)	
21	1	Socket set screw	L0 & L1 versions	(Loctite 242) 3.4 ± 0.4 N-m (30 ± 3 in-lbs)
		Orifice	L2 & L3 versions	
22	3	SAE #2 O-ring boss plug	4.0 ± 0.6 N-m (35 ± 5 in-lbs)	
23	5	SAE #2 O-ring		
24	2	Hardened SAE #2 O-ring boss plug	4.0 ± 0.6 N-m (35 ± 5 in-lbs)	
25	4	Teflon O-ring		
26	1	Roll pin		
27	4	Hex mounting screw	5.0 ± 0.3 N-m (45 ± 3 in-lbs)	



**NOTE: Individual parts are not available.  
The compensator is sold as a complete assembly only.**

**Compensator Part Number**

Rotation	C0 80 - 280 bar (1150 - 4000 psi)	C1 20 - 80 bar (300 - 1150 psi)
CW	S2E-19419-5T	S2E-18285-5T
CCW	S2E-19249-5T	S2E-18286-5T

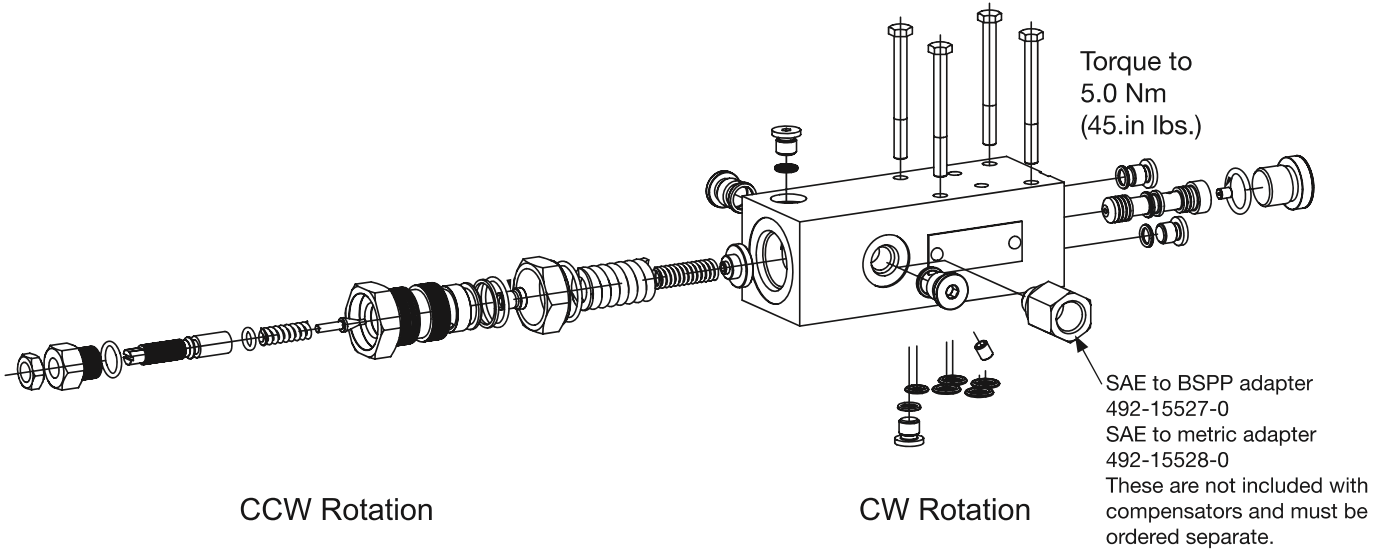
Item no.	Quantity	Description	NOTES / Tightening Torque
1	1	Compensator body CW rotation	
		Compensator body CCW rotation	
2	1	Spool	
3	1	Spring seat	
4	1	Outer spring	C0 versions only
5	1	Inner spring	
6	1	Spring seat & piston	
7	1	Seal piston O-ring	
8	1	Spring cap O-ring	
9	1	Spring cap	115 ± 7 N-m (85 ± 5 ft-lbs)
10	1	Adjusting screw	
11	1	Adjusting screw Lock Nut	7.9 ± 0.8 N-m (70 ± 7 in-lbs)
12	1	Socket set screw	(Loctite 242) 3.4 ± 0.4 N-m (30 ± 3 in-lbs)
13	4	Hex mounting screw	5.0 ± 0.3 N-m (45 ± 3 in-lbs)
14	1	SAE #2 O-ring	
15	1	Hardened SAE #2 O-ring boss plug	4.0 ± 0.6 N-m (35 ± 5 in-lbs)
17	4	Teflon O-ring	
18	1	Roll pin	
19	1	Teflon O-ring	

**NOTE: Individual parts are not available.  
The compensator is sold as a complete assembly only.**

**Compensator Part Number**

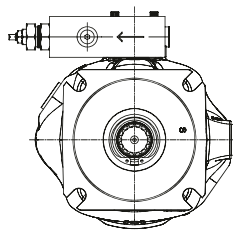
Rotation	AM*	AN*	AL*	AE*	AF*
CW	S2E-18745-5T	S2E-18743-5T	S2E-19107-5T	S2E-18747-5T	S2E-18749-5T
CCW	S2E-18746-5T	S2E-18744-5T	S2E-19106-5T	S2E-18748-5T	S2E-18750-5T

Note: To convert “AM\*” to “AL\*”, use conversion kit S2E-19117-0

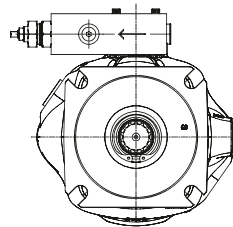
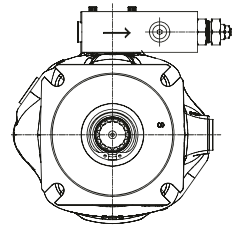
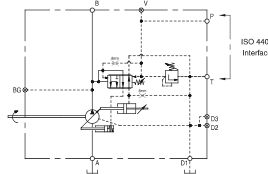


CCW Rotation

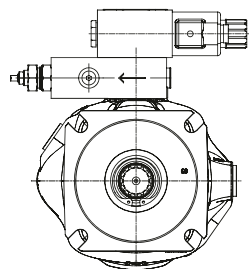
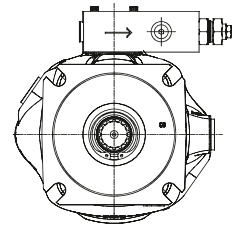
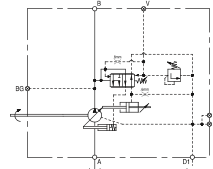
CW Rotation



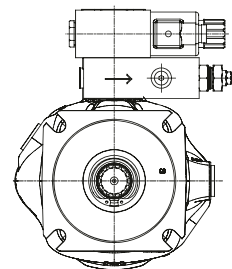
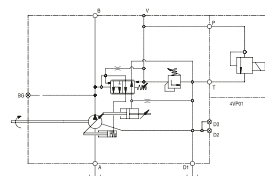
AN Control



AM Control



AE & AF Control



**COMPENSATOR DISASSEMBLY**

**NOTES:**

Access plugs on end of compensator spool bores are hardened plugs. Do not interchange with other plugs in the control.

For rotation change, the complete compensator assembly will need to be replaced.

**Compensator Disassembly:**

1. Measure and record the extension of the two pressure adjusting screws.
2. Carefully remove the main compensator spring cap. Remove the two springs. Remove the seal piston and spring seat. Remove the o-ring boss access plug on the opposite side of the compensator. Remove the compensator spool. NOTE: the compensator spool and inner spring are not interchangeable with the load sense compensator spool and spring.
3. For "L" series compensators: Carefully remove the load sense compensator spring cap with spring seat/seal piston. Remove the spring. Remove the spring seat. Remove the o-ring boss access plug on the opposite side of the compensator. Remove the load sense compensator spool. NOTE: the load sense compensator spool and spring are not interchangeable with the main compensator spool and inner spring of the main compensator.
4. Remove all SAE o-ring boss access plugs.

**COMPENSATOR INSPECTION**

**NOTE:** The compensator is supplied as an assembly. Individual parts are not available. If there is significant damage to any of the parts, the complete compensator will need to be replaced.

1. Inspect the main compensator spool and the load sense spool for scratches or other damage.
2. Inspect the springs for proper free extension length (see chart below).
3. Inspect the spool bores for damage. Apply a light oil film on the appropriate spool and check its fit in the bore. The spool should fit snugly in housing and not have any radial play.

<b>COMPENSATOR SPRING FREE LENGTH</b>			
<b>Type</b>	<b>Item Number</b>	<b>Component</b>	<b>Tolerances</b>
C*/L*	5	Main compensator spring - inner	Free height: 25.9±0.5mm (1.020±0.020 in.)
C0/L0/L2	4	Main compensator spring - outer	Free height: 39±0.7mm (1.535±0.028 in.)
L*	17	Load Sense spring	Free height: 14±0.4mm (0.551±0.016 in.)
R*	6	Bias spring	

Reference item numbers on page 26.

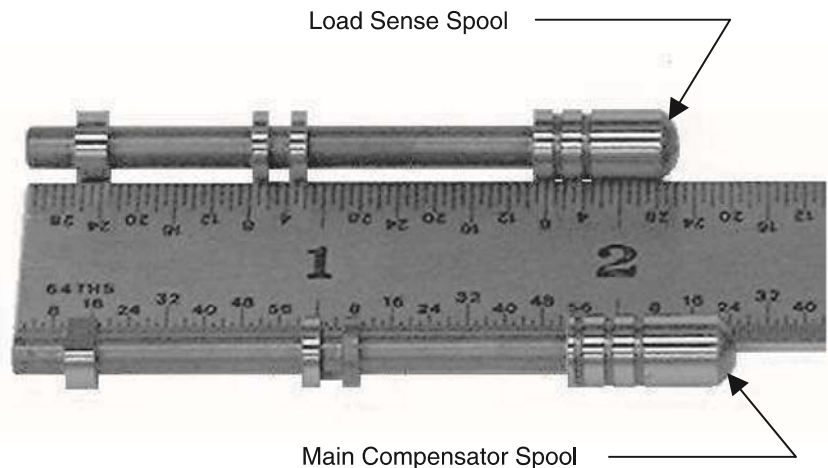


**COMPENSATOR ASSEMBLY**

**NOTE: instructions are for load sense compensator. For other compensator types disregard steps related to extra spool assembly.**

Carefully clean and dry all parts prior to assembly. Use caution to insure that spools and other parts are not damaged during cleaning process. Use clean oil to lubricate seals and spools for easier assembly.

1. Remove and discard all o-rings. Install new o-rings on SAE boss plugs and seal pistons.
2. Apply a light film of oil to the o-ring on the main compensator seal piston. Install the main compensator seal piston in the main compensator spring cap.
3. Place inner compensator spring on seal piston. Install the outer compensator spring over the inner spring on the seal piston. Position the spring seat over the springs. Insert this assembly into the main compensator housing bore. Torque the main compensator spring cap to 169-183 Nm (125-135 ft.-lb.).
4. Apply a light film of oil on the main compensator spool (the longer of the 2 spools). Insert the spool into the spool bore opposite the main compensator spring assembly in the compensator body. The rounded end of the spool should be installed first so it will contact the spring seat. Install a new o-ring on the hardened SAE boss fitting and place it into the port. Torque fitting to  $4 \pm 0.5$  Nm ( $37 \pm 5$  in-lb.).
5. Apply a light film of oil to the o-ring on the load sense seal piston. Install the load sense compensator seal piston seat in the load sense spring cap. Install the load sense spring over the seal piston. Position the spring seat over the spring. Install this assembly into the load sense bore of the compensator housing. Torque the load sense spring cap to 35-38 Nm (26-28 ft. lb.).
6. Apply a light film of oil to the load sense compensator spool (the shorter of the 2 spools). Insert the spool into the spool bore opposite the load sense spring assembly. The spool should be installed with the rounded end in first so it will contact the load sense spring seat. Install a new o-ring on the hardened SAE boss fitting and place it into the port. Torque fitting to  $4 \pm 0.5$  Nm ( $37 \pm 5$  in-lb.).
7. Install o-rings on remaining SAE boss fittings and install into housing. Torque SAE-2 fittings to  $4 \pm 0.5$  Nm ( $37 \pm 5$  in-lb.).



## PUMP DISASSEMBLY

Pump disassembly for inspection should be limited to the following cases:  
a) Malfunction or oil leakage resulting from damage or wear and tear.  
b) Trouble-shooting procedures previously listed do not solve the problem.

For rotation change or shaft conversion, disassembly should be done only as far as necessary to complete conversion.

Disassembly and reassembly should be performed in a clean environment.

**Caution:** Spring assemblies in the pump are normally set under high compression and bodily injury may occur if caution is not taken during disassembly.

It is usually not necessary to replace spring (20) fitted in cylinder barrel. Do not replace the spring unless absolutely necessary.

After disassembly, the internal parts should be coated with a film of clean oil and protected from dirt and moisture.

It is recommended that the length of the protruding portion of the compensator adjusting screws, on the control 40 be measured and noted as this information will prove useful during assembly.

Care must be taken to avoid dropping, damaging or contaminating the machined parts and the control valve.

For complete overhaul, all o-rings and seals should be discarded and replaced.

1. Identify the pump from information on the data tag. Figure 1



Figure 1

**PUMP DISASSEMBLY**  
Continued

2. Drain fluid from housing. Fluid drained from pump should be disposed of properly.
3. Mount pump in fixture to prevent movement while removing main housing bolts
4. Remove bolts holding the compensator assembly on the pump housing. Additional fluid may drain out of the passages when the compensator is removed. Set compensator aside for later disassembly and inspection
5. Remove the bolts attaching the port block to the main housing.
6. Carefully remove the port block. Use caution to avoid dropping the port plate. Note the location of the bias spring - piston assembly and the control piston assembly. The control piston, bias piston and bias spring may remain in pump when port block is removed. Remove and discard the three white Teflon seals on the port block. These seals should be replaced each time the pump is disassembled.
7. Remove the control piston and the bias piston - spring assembly.  
**NOTE:** For rotation change only, do not disassemble further, proceed to step 14.
8. Position the pump horizontally and remove the rotating group. Avoid separating the pistons from the barrel if possible. This will assist in identifying damage between an individual piston and bore during component inspection.
- 8a. If completing a seal change or complete overhaul on a 045 pump turn housing over and remove the snap ring and shaft seal from the housing before moving on to step 9.
9. Remove cam from housing. See Figure 2

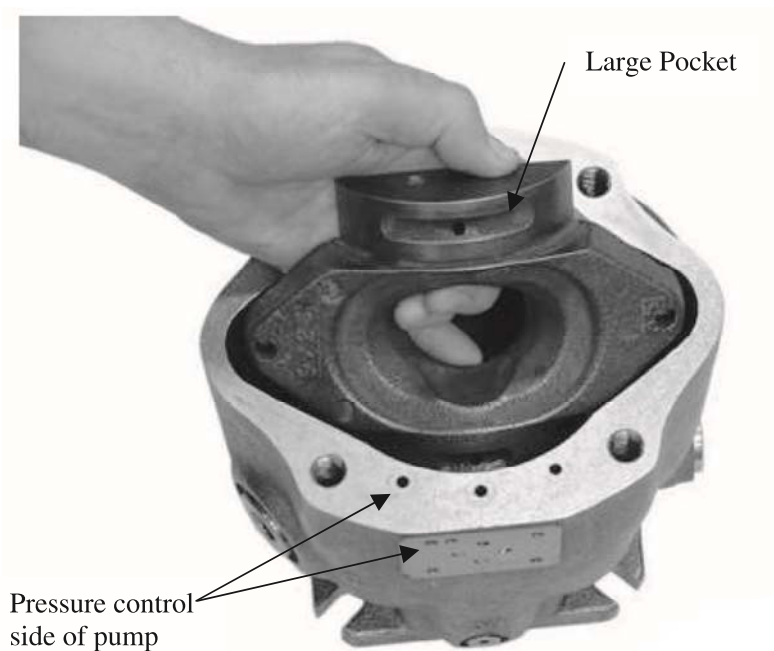


Figure 2

**PUMP DISASSEMBLY****Continued**

10. Remove cam bushing screws and cam bushings from pump.
11. Remove snap ring in housing and shaft bearing assembly.
12. If completing a seal change or a complete overhaul turn the housing over and remove the snap ring and shaft seal from the housing.
  - 12a. If you are working on an 045 pump please omit this step as this has already been completed in step 8a.
  - 12b. Always use a new shaft seal. Do not reuse old shaft seal.
13. If there is excessive wear on the port block bushing; remove the bushing from the port block.
14. If complete overhaul or rotation change, remove control piston and bias piston guides. The Control piston and bias piston guides are installed with Anaerobic thread lock. Place the port block in an oven at 163°C (325°F).  
**NOTE:** to prevent annealing of heat treated surfaces DO NOT USE A TORCH TO HEAT PISTON GUIDES. (45 Size only)

**COMPENSATOR DISASSEMBLY**

**NOTES:** Access plugs on end of compensator spool bores are hardened plugs. Do not interchange with other plugs in the control. For rotation change, the complete compensator assembly will need to be replaced.

1. Measure and record the extension of the two pressure adjusting screws.
2. Carefully remove the main compensator spring cap. Remove the two springs. Remove the seal piston and spring seat. Remove the o-ring boss access plug on the opposite side of the compensator. Remove the compensator spool. NOTE: the compensator spool and inner spring are not interchangeable with the load sense compensator spool and spring.
3. Load sense compensator: Carefully remove the load sense compensator spring cap with spring seat/seal piston. Remove the spring. Remove the spring seat. Remove the o-ring boss access plug on the opposite side of the compensator. Remove the load sense compensator spool. NOTE: the load sense compensator spool and spring are not interchangeable with the main compensator spool and inner spring of the main compensator.
4. Remove all SAE o-ring boss access plugs.

Proceed to inspection section of this manual.

## PUMP INSPECTION PROCEDURES

Carefully clean and dry all parts prior to inspection. Refer to chart 1 for dimensional information regarding allowable tolerances.

1. Examine piston diameters for scratches or gouges. If any piston is severely-damaged, note which piston bore it came out of. Extra attention should be given to that bore in step 2. Check end play of piston shoe assembly. Check the bottom surface of the shoes for damage. The shoe surface should be square and flat. Measure the depth of the pocket of the shoe. Shoes may be lapped as a set if the pocket depth is within allowable limits. Confirm pocket depth after lapping to insure it is still within limits.
2. Examine bores in cylinder for scratches. Check diameter of bores in 4 different locations, including near the bottom of the barrel where the piston does not travel. If the dimensions vary by more than 0.0102 mm (0.0004 in.) or any dimension exceeds the allowable limit, the barrel needs to be replaced. Examine the barrel face for scratches and gouges. The barrel can be reworked if dimensions are within specifications listed in chart 1.
3. The port plate can be lapped lightly if the face is only lightly scratched, otherwise it should be replaced.
4. Examine the retainer plate in the area of contact with the piston shoes. Any marks beyond light polishing indicate that replacement is necessary. Check the surface of the spherical area of the retainer plate and the spherical guide ball. Inspect the back surface of the spherical guide ball where the load pins make contact. If indentations are present replace the guide ball.
5. Examine cam on top and bottom surface. If scratches or gouges appear to penetrate the surface treatment, the cam must be replaced.
6. The cam bearings cannot be reworked and should be replaced if worn through the Teflon surface.
7. Both the bias piston and the compensator piston should move freely in their respective bores. The pistons and bores should be free of scratches or gouges.
8. The seal area of the drive shaft should be smooth and not have marks due to seal wear. Keyed shafts should be inspected for signs of brinelling and damage to the key area. Splined shafts may have a contact wear pattern but should not show excessive wear on the spline area.  
**NOTE:** Spinning on shaft for P1/PD-018, 028 and 045 the cylindrical bearing should not have any signs of roller spalling, brinelling or discoloration. The bearing should be free to rotate without bind or rough feel.

## COMPENSATOR INSPECTION

**NOTE:** The compensator is supplied as an assembly. Individual parts are not available. If there is significant damage to any of the parts, the complete compensator will need to be replaced.

1. Inspect the main compensator spool and the load sense spool for scratches or other damage.
2. Inspect the springs for proper free extension length (see chart on page 30).
3. Inspect the spool bores for damage. Apply a light oil film on the appropriate spool and check its fit in the bore. The spool should fit snugly in housing and not have any radial play.

**Chart 1  
Rework Limits**

Item Number	Component	018 Part No	028 Part No	045 Part No	Tolerances
13 Page 16 & 17	Bias Spring	03E-94430-0 78.3 mm	03E-94393-0 87.5 mm	03E-94356-0 116.4 mm	Free Height +/- 0.2mm
20 Page 16 & 17	Barrel Spring	787635 41.4 mm	03E-94387-0 39.5 mm	03E-94350-0 48.3 mm	Free Height +/- 0.2mm
26 Page 16 & 17	Piston	789519 Max End Play 0.10 mm  Min Shoe Flange Thickness 2.97 mm	S2E-18415-0 Max End Play 0.07 mm  Min Shoe Flange Thickness 3.98 mm	S2E-184130-0 Max End Play 0.10 mm  Min Shoe Flange Thickness 4.98 mm	Measure OD in 3 places, top, middle and bottom. Measurement should not vary by more than 0.01 mm  End Play between piston and shoe should not exceed value shown
23 Page 16 & 17	Barrel	03E-94717-0	03E-94375-0	03E-94338-0	Measure piston bore ID in 3 places , top, middle, bottom. Measurement should not vary by more than 0.01 mm.  Max material to be removed by lapping is .0051 mm
4 Page 28 & 30	P Max Compensator Spring-Outer	03E-93158-0 39 mm			Free Height : +/- 0.7mm
5 Page 28 & 30	P Max Compensator Spring- Inner	03E-93159-0 26 mm			Free Height : +/- 0.5mm
17 Page 28	Load Sense Spring	03E-93825-0 14 mm			Free Height : +/- 0.4mm

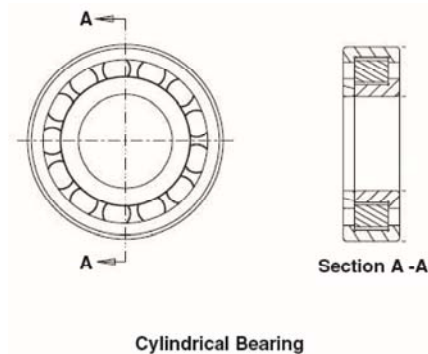
### PUMP ASSEMBLY PROCEDURES

For major overhauls, all plugs should be removed, and the seals replaced. Prior to assembly, all parts should be thoroughly cleaned. Assembly should be performed in a clean work environment.

Do not use bearing grease during installation. Grease does not dissolve in hydraulic oil and may plug orifices or filters in the system. Clean petroleum jelly is preferred to lubricate o-rings and seals, and to adhere parts for assembly.

**NOTE:** For fluids other than petroleum based hydraulic oil, insure that petroleum jelly is compatible with the fluid. If not compatible, another product should be used instead.

Inspect all bearing surfaces and seal areas to insure that they are free from nicks, dings, scratches, and rust.



1. Turn housing over. Using installation tool T1, press the shaft seal in the seal bore. Install the snap ring into the groove in the seal housing bore.  
**NOTE:** Install shaft and bearing on 45 unit before installing shaft seal. T1 tool not used on 45 unit, use T3 tool to insert shaft seal over input shaft.
2. Install cylindrical bearing on pump shaft (slip fit). Install external retaining ring to hold bearing in place on the shaft. Insert shaft assembly into the pump housing with the bearing sliding into the bearing diameter in the housing. Install internal retaining ring into the housing. (See drawing)
3. If barrel hold down spring was removed during disassembly process, install three pins to slots in barrel spline (45 Size only). Petroleum jelly can be used to hold pins in place while installing remaining parts. (Figure 4) Place barrel on fixture with pin side down. Install backup washer and hold down spring and second back up washer. Compress spring in press and install snap ring. Caution: Make sure snap ring is properly seated in groove prior to removing barrel from press.



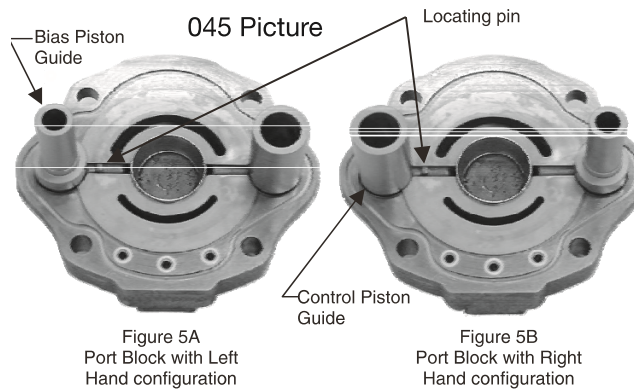
Figure 4

4. Apply a light film of oil into the piston bores. Lightly lubricate the spherical surface of the guide ball. Install the nine pistons into the bores in the hold down plate. Install the spherical guide ball into the hold down plate. While holding the guide ball against the hold down plate, install the pistons into the barrel.

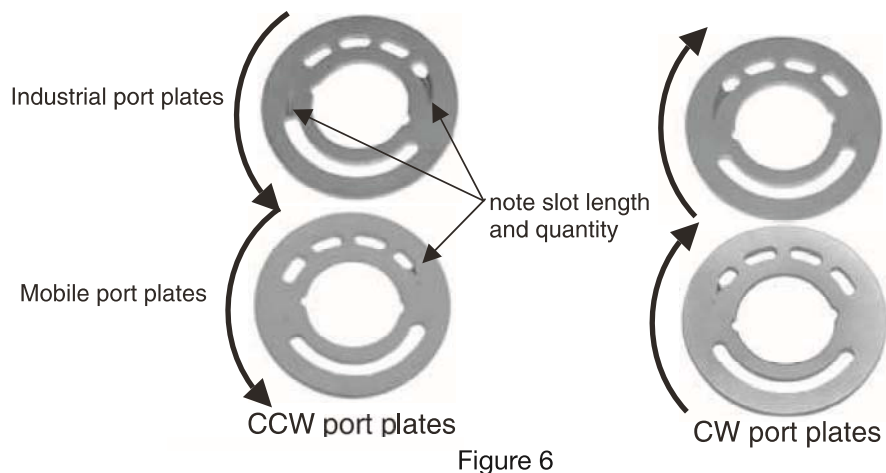
**PUMP ASSEMBLY PROCEDURES  
Continued**

Chart 2	
Pump	Control and bias guide torque
018	Press Fit
028	Press Fit
045	142 Nm (105 ft lbs)

5. Install the locating pin on the port block face.
6. For 045: Apply Loctite Primer Grade T to guide threads and allow to dry. Install unlubricated o-rings on the control guide and bias guide. Apply Loctite 271 to guide threads. For left hand rotation the bias guide is installed nearest to the dowel pin (figure 5A.) For right hand rotation the control guide is installed nearest to the dowel pin (figure 5B.) Torque the control and bias guides as specified in Chart 2. For 018, 028: The guides are identical and press fit into the holes. (Not shown in picture below)



7. Apply light oil film to control piston and install it in the control guide bore.
8. Apply light oil film to the bias piston. Install the bias spring and the bias piston in the bias piston guide bore.
9. Apply a light layer of petroleum jelly to the back surface of the port plate. Install the port plate on the port block, lining up the slot on the port plate with the locating pin. (Refer to Figure 6)



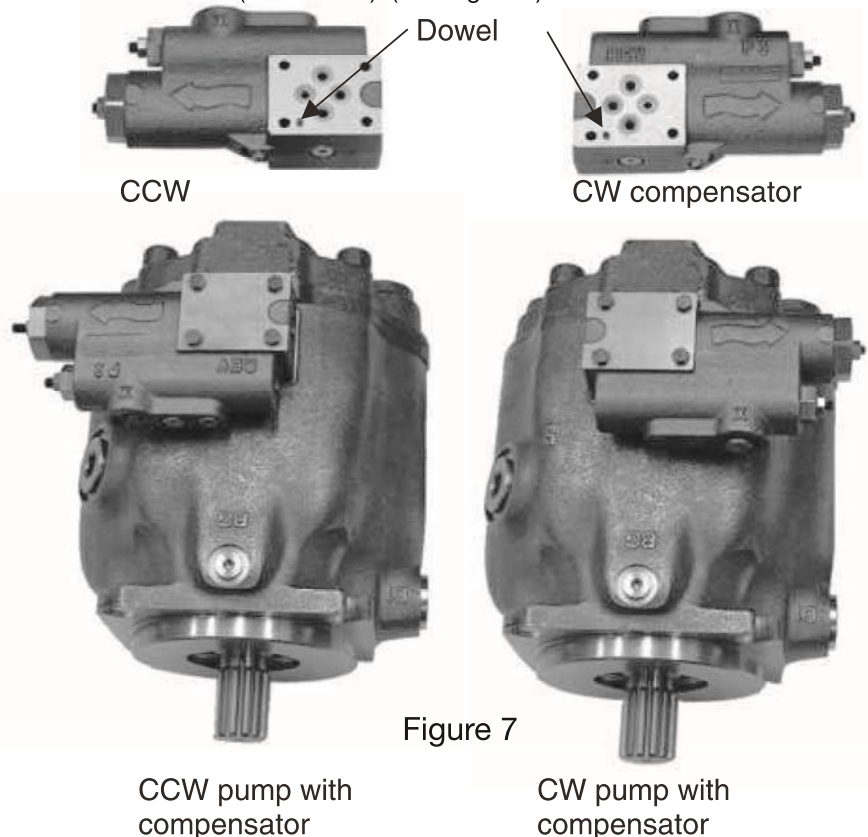
10. Install the large o-ring in the groove on the port block. Install the three teflon o-rings on the pressure communication ports of the port block.



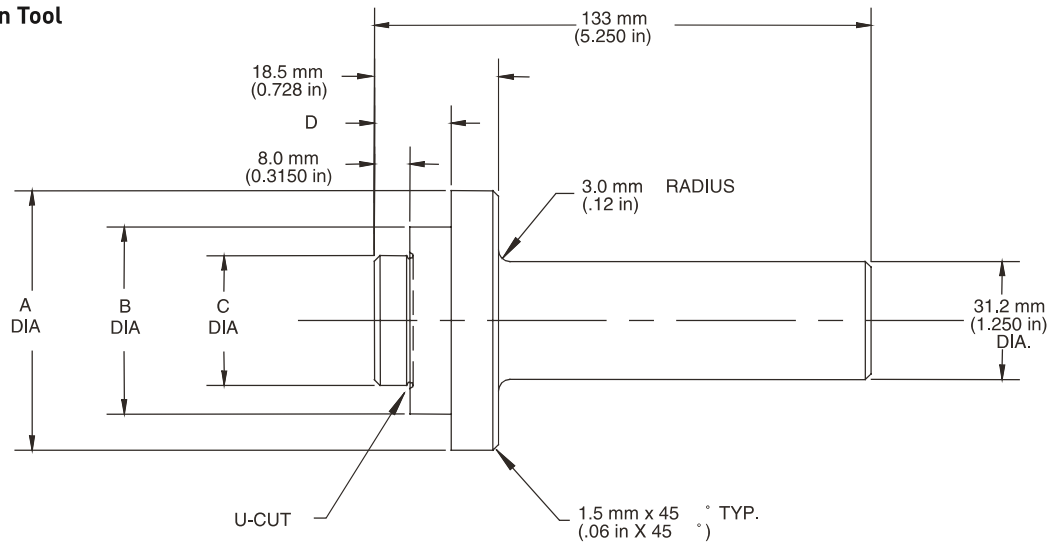
**PUMP ASSEMBLY PROCEDURES  
 Continued**

11. Install the cam bearings in the cradle area of the housing. The chamfer on the back of the bearing must face the outer wall of the housing. Use Loctite Primer Grade "T" or other suitable primer on screws and mating threads in housing. Apply Loctite #242 (use sparingly) to screw threads and install orifice screws to hold bearings in place. Torque screws to  $3.4 \pm 0.25$  Nm ( $33 \pm 3$  in-lb).
12. Place thin film of clean oil on cam bearing surfaces. Install cam in housing. For 045, the cam must be tilted to permit entry into the housing. (Figure 2)  
**NOTE:** The large pocket on the bottom surface of the cam must be on the same side as the three pressure communication holes on the main housing. Pump rotation does not affect the assembly of the cam.
13. Install the drive shaft into the pump housing. Position pump horizontally. Install the rotating group over the pump shaft. Rotate the barrel to insure that it is seated against the cam. Insure that the pump shaft is seated properly in the front bearing.
14. Confirm that compensator rotation, port plate rotation, control and bias piston location indicate same direction of rotation.
15. Carefully install the assembled port block on the pump housing. Press the port block to compress the bias spring and install housing bolts. Tighten the bolts in a cross pattern to insure the port block does not get cocked on the housing. When port block is seated on the housing, torque bolts in a cross pattern as specified in chart 3.
16. Install o-ring seals and assembled compensator on side of pump housing. Pump rotation is indicated by arrow on compensator housing. Torque bolts to  $5 \pm 0.25$  Nm ( $45 \pm 3$  in-lb). (See Figure 7)

Chart 3	
Pump	Housing bolt torque
018	51 Nm (38 ft lbs)
028	70 Nm (52 ft lbs)
045	85 Nm (63 ft lbs)

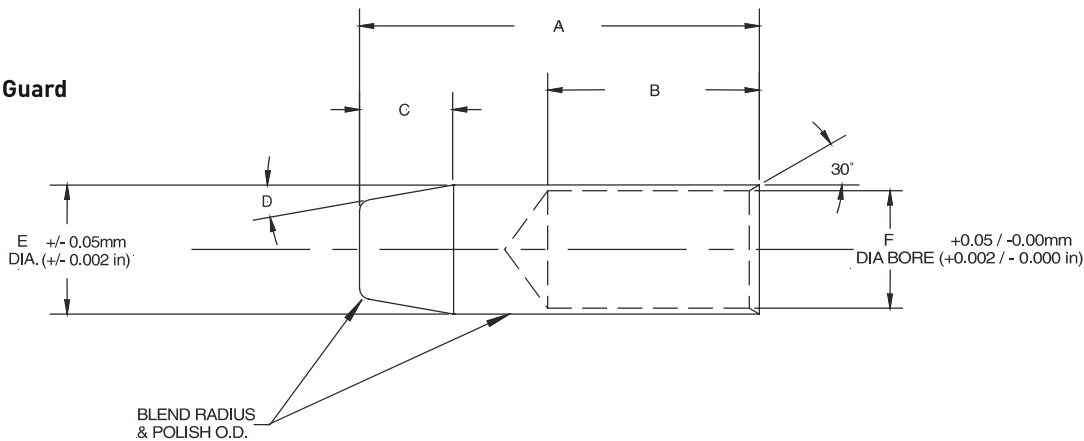


**T1 Seal Installation Tool**



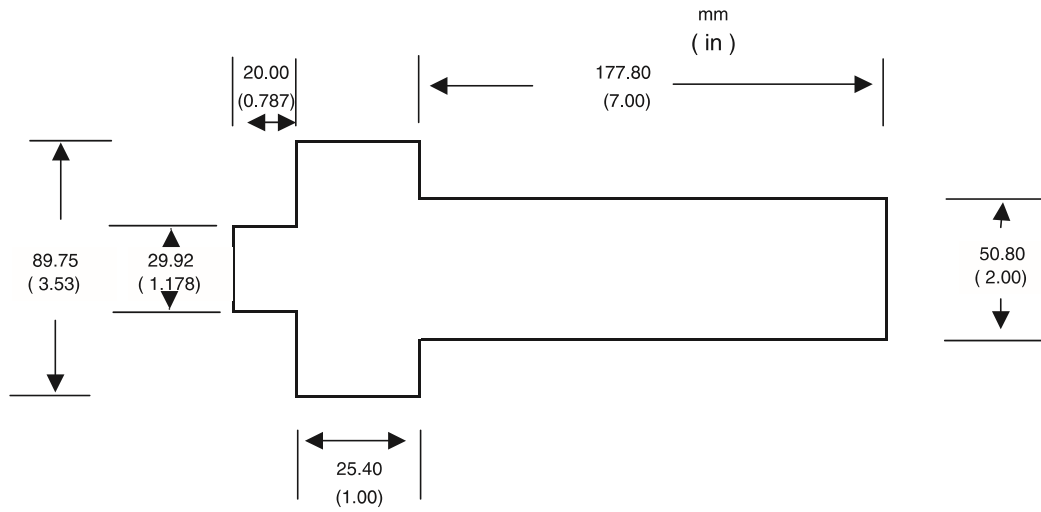
T1 Seal installation tool	A	B	C	D
(018)	2.250	1.62	1.18	0.406
(028)	2.250	2.00	1.378	0.447

**T3 Seal Guard**

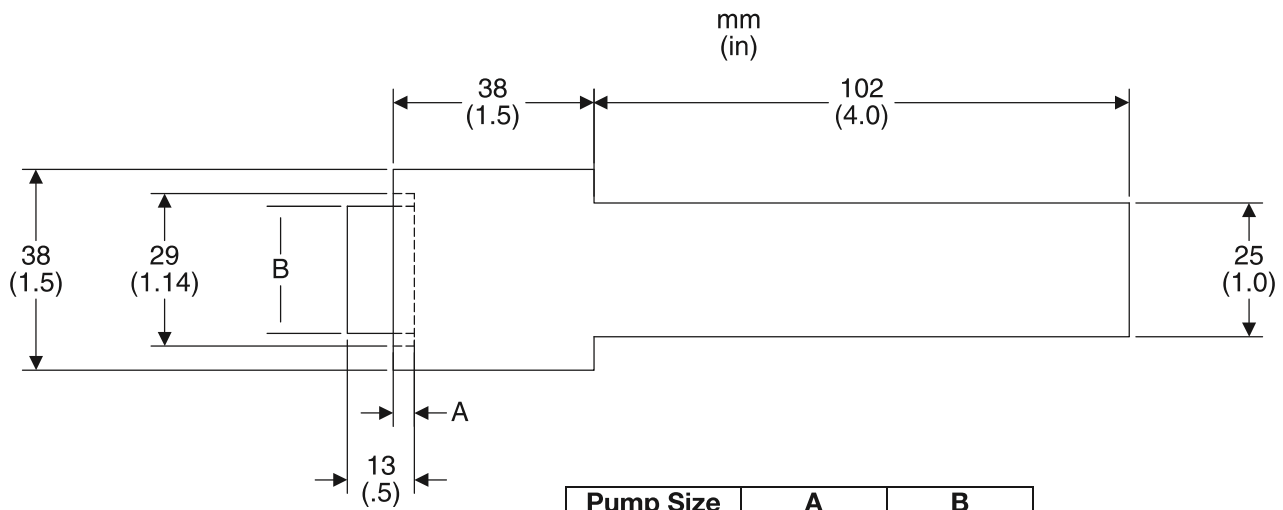


Pump Model	A	B	C	D	E	F
018 "01", "02", "04" Shafts	76.20 mm 3.00 in.	50.80 mm 2.00 in.	19.05 mm 0.75 in.	15°	28.82 mm 1.135 in.	20.45 mm 0.805 in.
018 "06" Shaft	76.20 mm 3.00 in.	50.80 mm 2.00 in.	19.05 mm 0.75 in.	15°	28.82 mm 1.135 in.	16.76 mm 0.66 in.
028 / 045 "01", "02", "04" Shafts	76.20 mm 3.00 in.	50.80 mm 2.00 in.	19.05 mm 0.75 in.	15°	38.10 mm 1.50 in.	26.00 mm 1.024 in.
018/028/045 "08" Shaft	76.20 mm 3.00 in.	50.80 mm 2.00 in.	19.05 mm 0.75 in.	15°	28.82 mm 1.135 in.	22.50 mm 0.885 in.

**T2 Front Bearing P1/PD045 Installation Tool**



**T5 Rear Bushing Installation Tool**



Pump Size	A	B
018	3.71 mm 0.146 in.	19.9 mm 0.772 in.
028	4.00 mm 0.157 in.	21.6 mm 0.85 in.
045	4.00 mm 0.157 in.	24.1 mm 0.95 in.

**PUMP TEST PROCEDURE**

Test criteria based on hydraulic oil ISO 32 per Parker HF-0 specifications.  
 Oil temperature: 50°C ± 2°C (120°F ± 10°F). **NOTE:** insure that the hydraulic system does not overheat during this test procedure.  
 Operating speed: 0 - 2300 rpm ± 30 rpm.  
 Case pressure: Maximum 14.5 psi (1 bar)

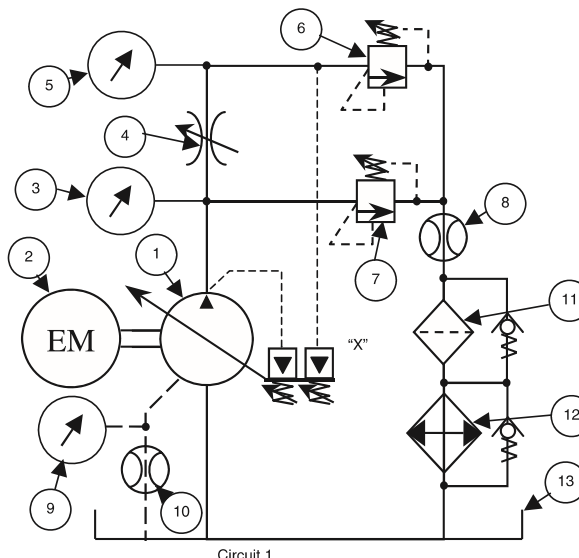
1. Mount pump on test fixture. Insure that shaft alignment is within specified tolerances.
2. Fill case with clean oil. Connect upper drain port to reservoir with no restrictions. Insure other drain ports are properly plugged.
3. Connect inlet and pressure lines. Insure that lines are filled with oil. Refer to circuit below. For units with "L" compensators, connect a suitable pilot line from port "X" to the pump discharge pressure line, down stream of the non-compensating flow valve.
4. Confirm direction of rotation for pump and drive are correct.
5. Reduce the main compensator setting to minimum. For units with "L" compensators, advance the load sense compensator adjustment until it bottoms out, and lock into position.
6. Set maximum volume stop (if included) to full displacement. If minimum volume stop is included, back adjustment all of the way out.
7. If possible, gradually increase pump speed to 1800 ± 30 rpm with no load.
8. Screw in compensator adjusting screw until it bottoms out, with no pressure on system load-relief valve.
9. Break-in pump at times and pressures listed below. Adjust the load-relief valve to the pressure listed for the times indicated. After break-in, reduce compensator setting to 280 bar (4060 psi), and adjust system load relief to cause pump to compensate three times to verify that pump compensates on and off stroke properly.

Time	30 seconds	30 seconds	30 seconds
Pressure	62-69 Bar 900-1000 psi	200-207 Bar 2900-3000 psi	269-276 Bar. 3900-4000 psi

**TEST CIRCUIT**

1. Test pump
2. Test stand prime mover
3. Pump pressure gauge
4. Non-compensating flow control
5. Load pressure gauge
6. Load relief valve
7. Safety bypass relief valve
8. Main flow meter
9. Case drain pressure gauge
10. Case drain flow meter
11. Filter assembly with bypass
12. Cooler assembly with bypass
13. Reservoir

NOTE: Items 4 and 5 are required for load sense pump test.



PERFORMANCE SPECIFICATIONS PUMP WITH PRESSURE COMPENSATOR				
STEP REFERENCE	CONDITION	018	028	045
1	Rated Speed	1800	1800	1800
4	Output Flow at minimum pressure	32 lpm minimum	49 lpm minimum	80 lpm minimum
5	Output Flow at rated pressure of 280 bar	30 lpm minimum	47 lpm minimum	77 lpm minimum
6	Case leakage at rated pressure of 280 bar	1.6 lpm	2.3 lpm	5.3 lpm
9*	Case leakage when compensated at 280 bar	5.7 lpm	5.7 lpm	9.5 lpm
10	Input Torque when compensated at 280 bar	17.5 Nm	21.2 Nm	42 Nm
11	Output Flow when pressure reduced to 273 bar with compensator set at 280 bar	30 lpm minimum	47 lpm minimum	77 lpm minimum

\* When using the A series compensators increase compensated case leakage by 2.3 lpm

TEST PROCEDURE PUMP WITH PRESSURE COMPENSATOR			
STEP REFERENCE	CONDITION	REQUIRED VALUE	MEASURED VALUE
1	Set the pump speed to 1800 RPM	1800 rpm	
2	Increase pump pressure compensator adjustment to maximum.	n/a	
3	Record input oil temperature	43-54 ° C (110 – 130 °F)	
4	Set output load pressure to minimum. Record output flow	see performance chart	
5	Set output load pressure to 280 ± 2 bar (4060 ± 30 psi). Record output flow	see performance chart	
6	Record case leakage	see performance chart	
7	Set output pressure to 290 ± 2 bar (4200 ± 30 psi)	n/a	
8	Set pressure compensator to 280 ± 2 bar (4060 ± 30 psi)	n/a	
9	Record case leakage	see performance chart	
10	Record input torque	see performance chart	
11	Reduce output pressure to 273 ± 2 bar (3960 ± 30 psi). Record output flow	see performance chart	
12	Verify no external leaks	No leakage permitted	

## PUMP DISASSEMBLY NOTES

- A. Pump disassembly for inspection should be limited to the following cases:
  - a) Malfunction or oil leakage resulting from damage or wear and tear.
  - b) Trouble-shooting procedures previously listed do not solve the problem.

**Caution: Spring assemblies in the pump are normally set under high compression and bodily injury may occur if caution is not taken during disassembly.**

- B. For rotation change or shaft conversion, disassembly should be done only as far as necessary to complete conversion.
- C. Disassembly and reassembly should be performed in a clean environment.
- D. It is usually not necessary to replace spring (20) fitted in cylinder barrel. Do not replace the spring unless absolutely necessary.
- E. After disassembly, the internal parts should be coated with a film of clean oil and protected from dirt and moisture.
- F. It is recommended that the length of the protruding portion of the compensator adjusting screws, be measured and noted, as this information will prove useful during assembly.
- G. Care must be taken to avoid dropping, damaging or contaminating the machined parts and the control valve.
- H. For complete overhaul, all o-rings and seals should be discarded and replaced.

## PUMP DISASSEMBLY PROCEDURE

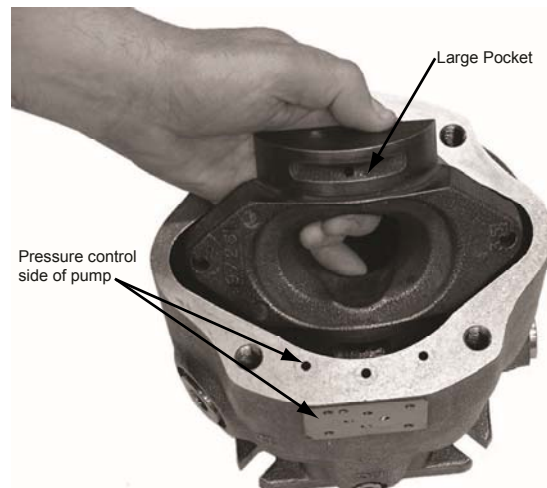
1. Identify the pump from information on the data tag. Figure 1
2. Drain fluid from housing. Fluid drained from pump should be disposed of properly.
3. Mount pump in fixture to prevent movement while removing main housing bolts
4. Remove bolts holding the compensator assembly on the pump housing. Additional fluid may drain out of the passages when the compensator is removed. Set compensator aside for later disassembly and inspection
5. Remove the bolts attaching the port block to the main housing.



Figure 1 Pump Data Tag

**PUMP DISASSEMBLY PROCEDURE**  
(continued)

6. Carefully remove the port block. Use caution to avoid dropping the port plate. Note the location of the bias spring - piston assembly and the control piston assembly. The control piston, bias piston and bias spring may remain in pump when port block is removed. Remove and discard the three white Teflon seals on the port block. These seals should be replaced each time the pump is disassembled.
7. Remove the control piston and the bias piston - spring assembly.  
**NOTE:**  
For rotation change only do not disassemble further, proceed to step 16.
8. Remove the tapered roller bearing cone and shim from the end of the shaft.
9. Position the pump horizontally and remove the rotating group. Avoid separating the pistons from the barrel if possible. This will assist in identifying damage between an individual piston and bore during component inspection.
10. Remove the drive shaft.  
**NOTE : For shaft change only, no further disassembly is required. Proceed to assembly procedure step 5.**
11. Remove the cam by rotating it 90 degrees and carefully extracting it from the pump housing. Note the large pocket under the cam fits on the pressure control side of the pump housing (same side as the three seals on the housing flange). Figure 2
12. Remove the front tapered roller bearing cone.
13. If there is excessive wear or damage, remove the tapered roller bearing cup from the bottom of the housing.
14. If completing a seal change or complete overhaul, turn the housing over and remove the snap ring and shaft seal from the housing. Note: do not reuse the shaft seal.
15. If there is excessive wear on the port block bearing cup, cone, or both; remove the tapered roller bearing cup from the port block.
16. If complete overhaul or rotation change, remove control piston and bias piston guides. The control piston and bias piston guides are installed with anerobic thread lock. Place the port block with piston guides in oven at 163° C (325° F)  
**NOTE: To prevent annealing of heat treated surfaces: DO NOT USE A TORCH TO HEAT PISTON GUIDES.**



## PUMP INSPECTION PROCEDURE

Carefully clean and dry all parts prior to inspection.

Refer to chart 1 for dimensional information regarding allowable tolerances.

1. Examine piston diameters for scratches or gouges. If any piston is severely damaged, note which piston bore it came out of. Extra attention should be given to that bore in step 2. Check end play of piston shoe assembly. Check the bottom surface of the shoes for damage. The shoe surface should be square and flat. Measure the thickness of the shoe. Shoes may be lapped as a set if the thickness is within allowable limits. Confirm shoe thickness after lapping to insure it is still within limits.
2. Examine bores in cylinder for scratches. Check diameter of bores in 4 different locations, including near the bottom of the barrel where the piston does not travel. If the dimensions vary by more than 0.0102 mm (0.0004 in.) or any dimension exceeds the allowable limit, the barrel needs to be replaced. Examine the barrel face for scratches and gouges. The barrel can be reworked if dimensions are within specifications listed in chart 1.
3. The port plate can be lapped lightly if the face is only lightly scratched, otherwise it should be replaced.
4. Examine the retainer plate in the area of contact with the piston shoes. Any marks beyond light polishing indicate that replacement is necessary. Check the surface of the spherical area of the retainer plate and the spherical guide ball. Inspect the back surface of the spherical guide ball where the load pins make contact. If indentations are present replace the guide ball.
5. Examine cam on top and bottom surface. If scratches or gouges appear to penetrate the surface treatment, the cam must be replaced.
6. The cam bearings cannot be reworked and should be replaced if worn through the Teflon surface.
7. Both the bias piston and the compensator piston should move freely in their respective bores. The pistons and bores should be free of scratches or gouges.
8. The seal area of the drive shaft should be smooth and not have marks due to seal wear. The bearing surfaces should not have any indication of the bearing cone spinning on the shaft. Keyed shafts should be inspected for signs of brinelling and damage to the key area. Splined shafts may have a contact wear pattern but should not show excessive wear on the spline area.



CHART 1 REWORK LIMITS						
Item Number	Component	Part number				Tolerances
		060	075	100	140	
13 Page 20	Bias spring	03E-94055-0	03E-93151-0 141.5 mm (5.57 in.)	03E-93801-0 174.6 mm (6.87 in.)	03E-93963-0 212.3 mm (8.36 in.)	Free height: ± 0.51mm (± 0.020 in.)
20 Page 20	Barrel hold down spring	03E-94049-0	03E-93145-0 63.7 mm ( 2.50 in.)	03E-93795-0 72.2 mm (2.84 in.)	03E-93959-0 68.6 mm (2.70 in.)	Free height: ± 0.51 mm (± 0.020 in.)
23 Page 20	Barrel	03E-94036-0	03E-93129-0	03E-93783-0	03E-93242-0	Measure piston bore diameters in 3 places at the top, middle, and bottom. The measurements should not vary by not more than 0.010 mm (0.0004 in.)  Maximum material to be removed when lapping is 0.0051 mm (0.0002 in.)
26 Page 20	Piston and shoe assembly  Sold in sets only	03E-94036-0  Maximum end play 0.10 mm (0.004 in.)  Minimum shoe flange thickness 5.91 mm (0.233 in.)	S2E-17003-0  Maximum end play 0.10 mm (0.004 in.)  Minimum shoe flange thickness 5.91 mm (0.233 in.)	S2E-17912-0  Maximum end play 0.13 mm (0.005 in.)  Minimum shoe flange thickness 6.41 mm (0.252 in.)	S2E-17323-0  Maximum end play 0.13 mm (0.005 in.)  Minimum shoe flange thickness 6.41 mm (0.252 in.)	Measure piston outside diameter in 3 places at the top, middle, and bottom. The measurements should not vary by more than 0.0102 mm (0.0004 in)  End play between piston and shoe should not exceed values shown.  Total material allowed to be removed from shoe face when lapping is 0.076mm (0.003 in)

## PUMP ASSEMBLY PROCEDURE

For major overhauls, all plugs should be removed, and the seals replaced. Prior to assembly, all parts should be thoroughly cleaned. Assembly should be performed in a clean work environment.

Do not use bearing grease during installation. Grease does not dissolve in hydraulic oil and may plug orifices or filters in the system. Clean petroleum jelly is preferred to lubricate o-rings and seals, and to adhere parts for assembly.

**NOTE: For fluids other than petroleum based hydraulic oil, insure that petroleum jelly is compatible with the fluid. If not compatible, another product should be used instead.**

Inspect all bearing surfaces and seal areas to insure that they are free from nicks, dings, scratches, and rust.

1. Using installation tool T2, press the front bearing cup into the bottom of the housing. Make sure the cup is seated firmly against the bottom of the housing.
2. Turn housing over. Using installation tool T1, press the shaft seal in the seal bore. Install the snap ring into the groove in the seal housing bore.
3. Using installation tool T5, press the rear bearing cup into the port block. Insure that the cup is seated firmly against the bottom of the housing.
4. Install the front bearing cone and shaft into the housing.
5. Install the rear bearing cone on the shaft.
6. Install the port block onto the housing using housing bolts and tighten to  $27 \pm 1.3 \text{ Nm}$  ( $20 \pm 1 \text{ ft. lb.}$ ).
7. Position the pump so shaft end is up.
8. Lay a parallel bar on the pump pilot.
9. Press down on the shaft and rotate it 3-5 times then measure the height of the shaft end to the parallel bar using dial calipers or a dial indicator.
10. Grasp the shaft and pull it up and rotate it 3-5 times. Measure the height of the shaft end to the parallel bar. Note: if the shaft slips or falls, the steps must be repeated to get an accurate measurement. Figure 3
11. Subtract the larger from the smaller to get the differential gap.
12. Repeat the procedure three times. Once recorded, take the average of the three measurements.
13. With the average, use chart 2 to determine the correct shim to install in the pump.
14. Rebuild the pump with the shaft bearings, and selected shim. Check end play, then disassemble port block and continue with pump assembly.

**PUMP ASSEMBLY PROCEDURE  
Continued**

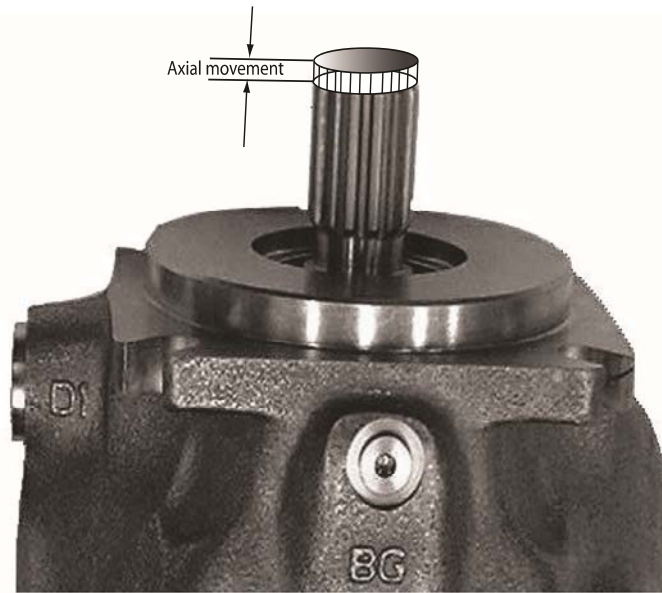


Figure 3

Chart 2: Shim Thickness Selection					
Measured Differential		Shim Thickness	Displacement		
Minimum	Maximum		060/075	100	140
3.07 mm (.121 in)	3.12 mm (.123 in)	3.04 mm (.1196 in)	03E-95262-0	03E-95268-0	03E-95265-0
3.15 mm (.124 in)	3.22 mm (.126 in)	3.12 mm (.1228 in)	03E-95263-0	03E-95269-0	03E-95266-0
3.23 mm (.127 in)	3.29 mm (.129 in)	3.20 mm (.1259 in)	03E-95264-0	03E-95270-0	03E-95267-0
3.30 mm (.130 in)	3.36 mm (.132 in)	3.28 mm (.1291 in)	03E-93180-0	03E-94148-0	03E-93260-0
3.37 mm (.133 in)	3.44 mm (.135 in)	3.36 mm (.1323 in)	03E-93566-0	03E-94149-0	03E-93970-0
3.45 mm (.136 in)	3.51 mm (.138 in)	3.44 mm (.1354 in)	03E-93567-0	03E-94150-0	03E-93971-0
3.52 mm (.139 in)	3.62 mm (.142 in)	3.52 mm (.1386 in)	03E-93568-0	03E-94151-0	03E-93972-0
3.63 mm (.143 in)	3.70 mm (.145 in)	3.60 mm (.1417 in)	03E-93569-0	03E-94152-0	03E-93973-0
3.71 mm (.146 in)	3.77 mm (.148 in)	3.68 mm (.1449 in)	03E-93570-0	03E-94153-0	03E-93974-0
3.78 mm (.149 in)	3.85 mm (.151 in)	3.76 mm (.1480 in)	03E-93571-0	03E-94154-0	03E-93975-0
3.86 mm (.152 in)	3.92 mm (.154 in)	3.84 mm (.1512 in)	03E-93572-0	03E-94155-0	03E-93976-0
3.93 mm (.155 in)	4.00 mm (.157 in)	3.92 mm (.1539 in)	03E-93573-0	03E-94156-0	03E-93977-0
4.01 mm (.158 in)	4.10 mm (.161 in)	4.00 mm (.1575 in)	03E-93574-0	03E-94157-0	03E-93978-0
4.11 mm (.162 in)	4.18 mm (.164 in)	4.08 mm (.1606 in)	03E-93575-0	03E-94158-0	03E-93979-0
4.19 mm (.165 in)	4.25 mm (.167 in)	4.16 mm (.1638 in)	03E-93576-0	03E-93864-0	03E-93980-0
Shim Kits:			S2E-18591-0K	S2E-18640-0K	S2E-18527-0K

**PUMP ASSEMBLY PROCEDURE  
Continued**

Chart 3	
Pump	Control and Bias Guide Torque
060	142 ± 6.5 Nm (105 ± 5 ft-lbs)
075	142 ± 6.5 Nm (105 ± 5 ft-lbs)
100	184 ± 8 Nm (136 ± 6 ft-lbs)
140	203 ± 8 Nm (170 ± 6 ft-lbs)

- If barrel hold down spring was removed during disassembly process, install three pins to slots in barrel spline. Petroleum jelly can be used to hold pins in place while installing remaining parts. Place barrel on fixture with pin side down. Install backup washer and hold down spring. Compress spring in press and install snap ring.

**Caution: Make sure snap ring is properly seated in the groove prior to removing the barrel from the press.**

- Apply a light film of oil into the piston bores. Lightly lubricate the spherical surface of the guide ball. Install the nine pistons into the bores in the hold down plate. Install the spherical guide ball into the hold down plate. While holding the guide ball against the hold down plate, install the pistons into the barrel.

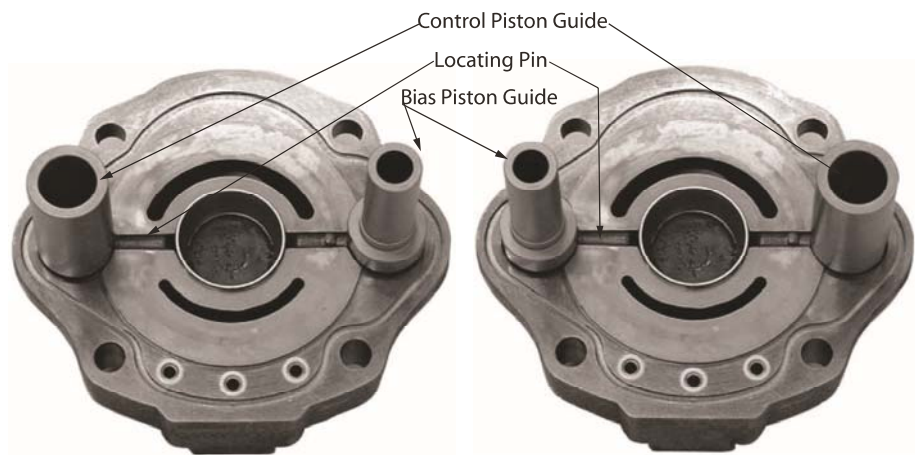


Figure 4A  
Port block with  
Right Hand configuration

Figure 4B  
Port Block with  
Left Hand configuration

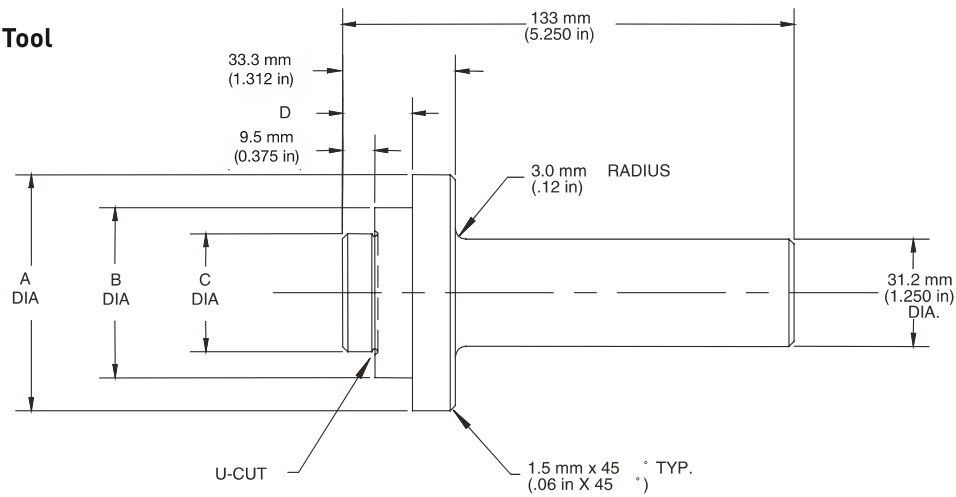
- Install the locating pin on the port block face.
- Apply Loctite Primer 7469 to the guide threads and allow to dry. Install unlubricated o-rings on the control guide and bias guide. Apply Loctite 272 to the guide threads. For right hand rotation the control guide is installed nearest to the dowel pin (figure 4A). For left hand rotation the bias guide is installed nearest to the dowel pin (figure 4B). Torque the control and bias guides as specified in Chart 3

**PUMP ASSEMBLY PROCEDURE  
Continued**

<b>Chart 4</b>	
<b>Pump</b>	<b>Housing Bolt Torque</b>
060	135.6 ± 5 Nm (100 ± 4 ft-lbs)
075	135.6 ± 5 Nm (100 ± 4 ft-lbs)
100	229 ± 7 Nm (170 ± 5 ft-lbs)
140	278 ± 7 Nm (205 ± 5 ft-lbs)

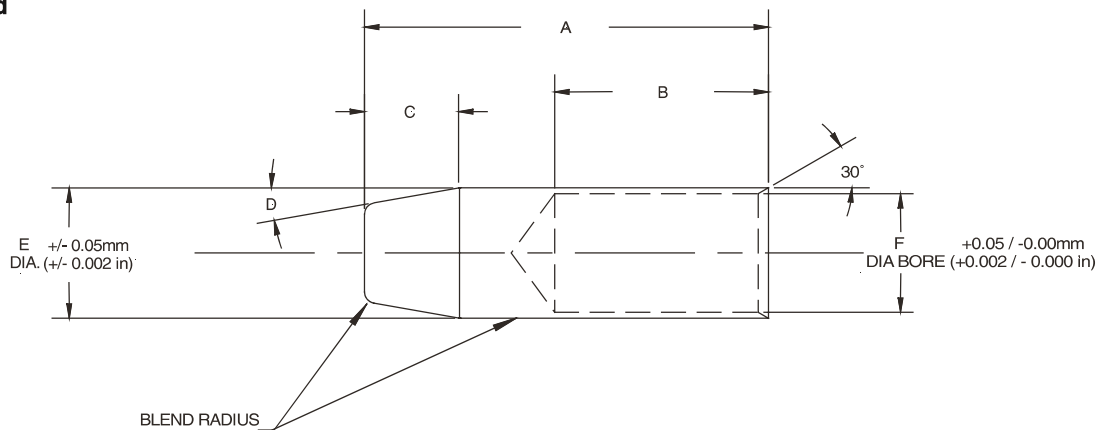
19. Apply light oil film to control piston and install it in the control guide bore.  
**NOTE:** The 140 size has a lubrication hole in the piston. Confirm that the hole is facing the port block. The control piston has nonsymmetrical lubrication grooves. The end with the closest grooves must be installed towards the port block.
20. Apply light oil film to the bias piston. Install the bias spring and the bias piston in the bias piston guide bore.
21. Apply a light layer of petroleum jelly to the back surface of the port plate. Install the port plate on the port block, lining up the slot on the port plate with the locating pin.
22. Install the large o-ring in the groove on the pump port block. Install the three white Teflon o-rings in the pressure communication ports on the pump housing.
23. Install the cam bearings in the cradle area of the housing. The chamfer on the back of the bearing must face the outer wall of the housing. Use Loctite Primer Grade "T" or other suitable primer on screws and mating threads in housing. Apply Loctite #242 (use sparingly) to screw threads and install orifice screws to hold bearings in place. Torque screws to 3.4 ± 0.25 Nm (33 ± 3 in-lb).
24. Place thin film of clean oil on cam bearing surfaces. Install cam in housing. The cam must be tilted to permit entry into the housing. (Figure 2) **NOTE:** The large pocket on the bottom surface of the cam must be on the same side as the three pressure communication holes on the main housing. Pump rotation does not affect the assembly of the cam.
25. Install the drive shaft into the pump housing. Position pump horizontally. Install the rotating group over the pump shaft. Rotate the barrel to insure that it is seated against the cam. Insure that the pump shaft is seated properly in the front bearing.
26. Install bearing spacer as determined from the chart (see step 11.) Install the rear bearing on the drive shaft.
27. Confirm that compensator rotation, port plate rotation, control and bias piston location indicate same direction of rotation.
28. Carefully install the assembled port block on the pump housing. Press the port block to compress the bias spring and install housing bolts. Tighten the bolts in a cross pattern to insure the port block does not get cocked on the housing. When port block is seated on the housing, torque bolts in a cross pattern as specified in chart 4.
29. Install o-ring seals and assembled compensator on side of pump housing. Pump rotation is indicated by arrow on compensator housing. Torque bolts to 5 ± 0.25 Nm (45 ± 3 in-lb).

**T1 Seal Installation Tool**



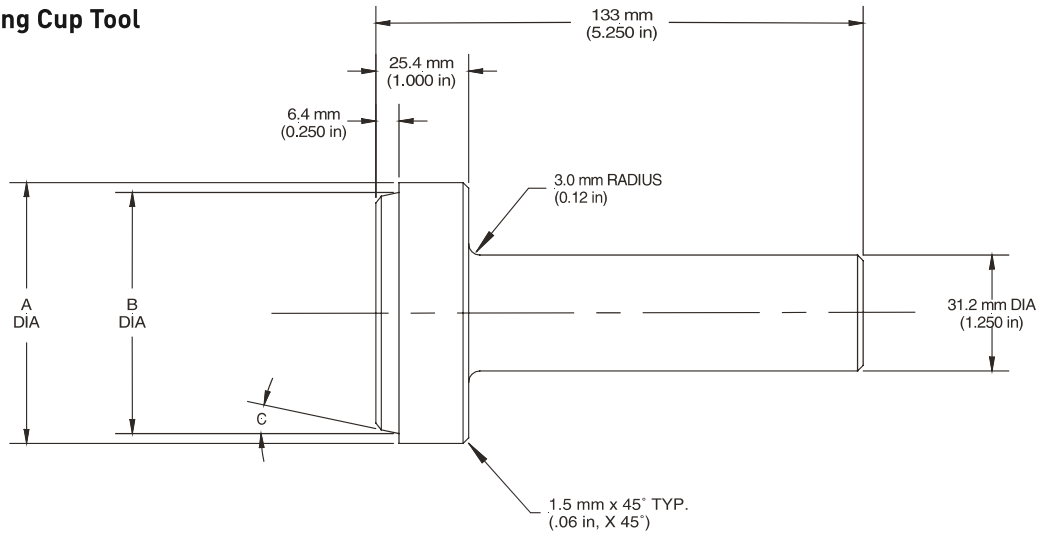
Pump Model	Part Number	A	B	C	D
060 & 075	213-0-004194	69.9 mm (2.750 in)	50.3 mm (1.980 in)	34.9 mm (1.375 in)	20.3 mm (0.800 in)
100	213-0-004208	63.5 mm (2.50 in)	56.6 mm (2.230 in)	43.3 mm (1.703 in)	14.0 mm (0.550 in)
140	213-0-004199	85.7 mm (3.375 in)	70.6 mm (2.780 in)	53.4 mm (2.10 in)	19.1 mm (0.750 in)

**T3 Seal Guard**



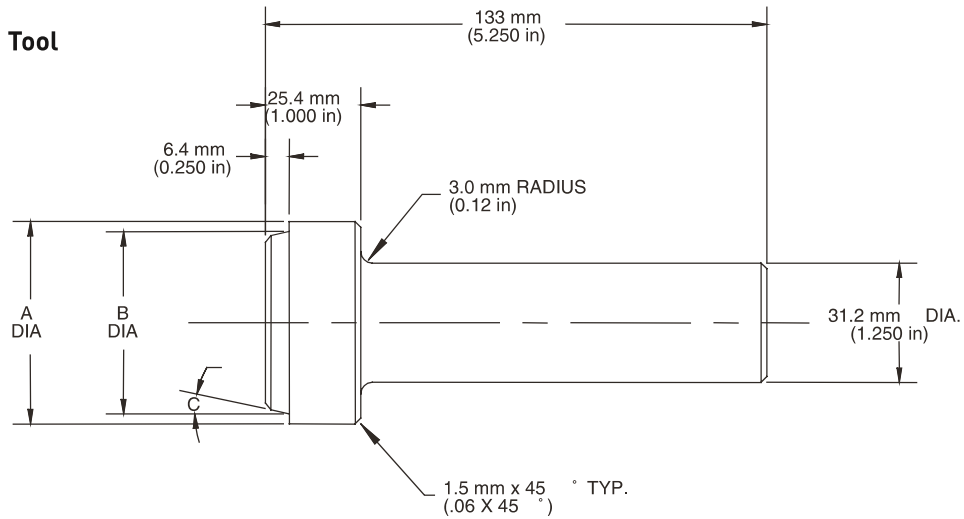
Pump Model	Part Number	A	B	C	D	E	F
060 & 075	213-0-004195	108 mm (4.25 in)	57.1 mm (2.25 in)	25.4 mm (1.00 in)	10°	34.90 mm (1.373 in)	31.75 mm (1.250 in)
100 SAE	213-0-004206	108 mm (4.25 in)	70.6 mm (2.78 in)	25.4 mm (1.00 in)	10°	43.26 mm (1.703 in)	38.1 mm (1.500 in)
100 ISO	213-0-004207	114 mm (4.50 in)	76.2 mm (3.00 in)	22.4 mm (0.88 in)	15°	43.26 mm (1.703 in)	40.06 mm (1.577 in)
140 SAE	213-0-004200	108 mm (4.25 in)	70.6 mm (2.78 in)	25.4 mm (1.00 in)	10°	53.04 mm (2.088 in)	44.48 mm (1.751 in)
140 ISO	213-0-004201	114 mm (4.50 in)	76.2 mm (3.00 in)	22.4 mm (0.88 in)	15°	53.04 mm (2.088 in)	50.04 mm (1.970 in)

**T2 Front Bearing Cup Tool**



Pump Model	Part Number	A	B	C
060 & 075	213-0-004192	71.4 mm (2.812 in)	66.0 mm (2.60 in)	12°
100	213-0-004204	92.1 mm (3.623 in)	86.1 mm (3.390 in)	15°
140	213-0-004197	93.7 mm (3.687 in)	89.3 mm (3.515 in)	15°

**T5 Rear Bearing Cup Tool**



Pump Model	Part Number	A	B	C
060 & 075	213-0-004193	53.8 mm (2.120 in)	48.7 mm (1.918 in)	12°
100	213-0-004205	65.1 mm (2.562 in)	59.3 mm (2.335 in)	15°
140	213-0-004198	71.1 mm (2.80 in)	65.1 mm (2.562 in)	15°

**PUMP TEST PROCEDURE**

Test criteria based on hydraulic oil ISO 32 per Parker HF-0 specifications.  
Oil temperature: 50°C ± 2°C (120°F ± 10°F). **NOTE:** insure that the hydraulic system does not overheat during this test procedure.

Operating speed: 0 - 2300 rpm ± 30 rpm.  
Case pressure: Maximum 14.5 psi (1 bar)

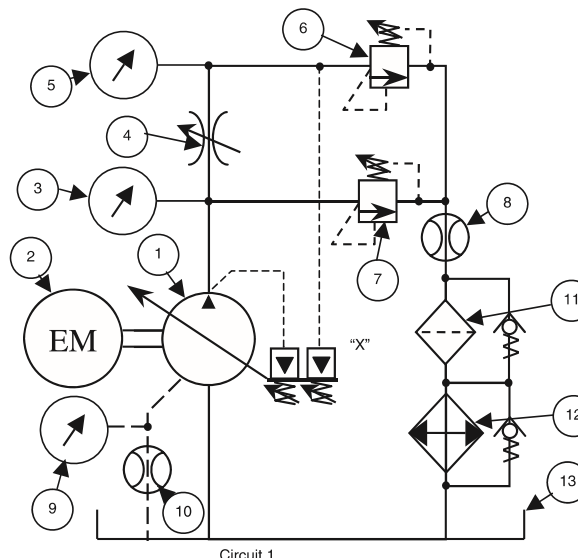
1. Mount pump on test fixture. Insure that shaft alignment is within specified tolerances.
2. Fill case with clean oil. Connect upper drain port to reservoir with no restrictions. Insure other drain ports are properly plugged.
3. Connect inlet and pressure lines. Insure that lines are filled with oil. Refer to circuit below. For units with "L" compensators, connect a suitable pilot line from port "X" to the pump discharge pressure line, down stream of the non-compensating flow valve.
4. Confirm direction of rotation for pump and drive are correct.
5. Reduce the main compensator setting to minimum. For units with "L" compensators, advance the load sense compensator adjustment until it bottoms out, and lock into position.
6. Set maximum volume stop (if included) to full displacement. If minimum volume stop is included, back adjustment all of the way out.
7. If possible, gradually increase pump speed to 1800 ± 30 rpm with no load.
8. Screw in compensator adjusting screw until it bottoms out, with no pressure on system load-relief valve.
9. Break-in pump at times and pressures listed below. Adjust the load-relief valve to the pressure listed for the times indicated. After break-in, reduce compensator setting to 280 bar (4060 psi), and adjust system load relief to cause pump to compensate three times to verify that pump compensates on and off stroke properly.

Time	30 seconds	30 seconds	30 seconds
Pressure	62-69 Bar 900-1000 psi	200-207 Bar 2900-3000 psi	269-276 Bar 3900-4000 psi

**TEST CIRCUIT**

1. Test pump
2. Test stand prime mover
3. Pump pressure gauge
4. Non-compensating flow control
5. Load pressure gauge
6. Load relief valve
7. Safety bypass relief valve
8. Main flow meter
9. Case drain pressure gauge
10. Case drain flow meter
11. Filter assembly with bypass
12. Cooler assembly with bypass
13. Reservoir

NOTE: Items 4 and 5 are required for load sense pump test.





PERFORMANCE SPECIFICATIONS PUMP WITH PRESSURE COMPENSATOR					
STEP REFERENCE	CONDITION	060	075	100	140
1	Rated Speed (RPMK)	1800	1800	1800	1800
4	Output Flow at minimum pressure	102 - 108 lpm	132 - 135 lpm	174 - 182 lpm	243 - 257 lpm
5	Output Flow at rated pressure of 280 bar	95 lpm min.	126 lpm min.	165 lpm min.	233 lpm min.
6	Case leakage at rated pressure of 280 bar	4.5 lpm min.	7.5 lpm min.	9 lpm min.	14 lpm min.
9*	Case leakage when compensated at 280 bar	11 lpm max.	15.1 lpm max.	15.9 lpm max.	16.7 lpm max.
10	Input Torque when compensated at 280 bar	38.9 Nm max.	49.6 Nm max.	67 Nm max.	96.6 Nm max.
11	Output Flow when pressure reduced to 273 bar with compensator set at 280 bar	99 lpm min.	126 lpm min.	165 lpm min.	233 lpm min.

\* When using the A series compensators increase compensated case leakage by 2.3 lpm

TEST PROCEDURE PUMP WITH PRESSURE COMPENSATOR			
STEP REFERENCE	CONDITION	REQUIRED VALUE	MEASURED VALUE
1	Set the pump speed to 1800 RPM	1800 rpm	
2	Increase pump pressure compensator adjustment to maximum.	n/a	
3	Record input oil temperature	43-54 ° C (110 – 130 °F)	
4	Set output load pressure to minimum. Record output flow	see performance chart	
5	Set output load pressure to 280 ± 2 bar (4060 ± 30 psi). Record output flow	see performance chart	
6	Record case leakage	see performance chart	
7	Set output pressure to 290 ± 2 bar (4200 ± 30 psi)	n/a	
8	Set pressure compensator to 280 ± 2 bar (4060 ± 30 psi)	n/a	
9	Record case leakage	see performance chart	
10	Record input torque	see performance chart	
11	Reduce output pressure to 273 ± 2 bar (3960 ± 30 psi). Record output flow	see performance chart	
12	Verify no external leaks	No leakage permitted	

PERFORMANCE SPECIFICATIONS PUMP WITH LOAD SENSE COMPENSATOR					
STEP REFERENCE	CONDITION	060	075	100	140
1	Rated Speed (RPM)	1800	1800	1800	1800
4	Load sense output flow setting at $50 \pm 2$ bar ( $725 \pm 30$ psi)	60-63 lpm	77-79 lpm	103 - 105 lpm	145-147 lpm
5	Allowable flow variation from 50 to $260 \pm 2$ bar ( $725$ to $3770 \pm 30$ psi)	56-66 lpm	73-83 lpm	99-109 lpm	136-156 lpm

TEST PROCEDURE PUMP WITH LOAD SENSE COMPENSATOR			
STEP REFERENCE	CONDITION	REQUIRED VALUE	MEASURED VALUE
1	Set the pump speed to 1800 RPM	1800 rpm	
2	Record input oil temperature	43-54 ° C (110 – 130 °F)	
3A	Set output load pressure to $50 \pm 2$ bar ( $725 \pm 30$ psi)	n/a	n/a
3B	Adjust throttle valve and adjust differential setting until pressure at pump outlet is $20 \pm 2$ bar ( $290 \pm 30$ psi) higher than the load pressure gage	n/a	n/a
4	Adjust throttle valve to required flow rate. Adjust output load pressure valve if necessary to maintain $50 \pm 2$ bar ( $725 \pm 30$ psi)	See performance chart	
5	Increase the output pressure to $260 \pm 2$ bar ( $3770 \pm 30$ psi). Verify that the flow remains within specified limits.	See performance chart	
6	Lock the load sense adjustment screw. Confirm differential pressure at $20 \pm 2$ bar ( $290 \pm 30$ psi).	n/a	n/a
7	Verify no external leaks	No leakage permitted	

**CONVERSION FACTORS**

**DEFINITION & UNIT**

displacement	$\text{in}^3/\text{rev} \times 16.387 = \text{cm}^3/\text{rev}$	$\text{cm}^3/\text{rev} \times 0.06102 = \text{in}^3/\text{rev}$
flow	$\text{gpm} \times 3.78 = \text{L}/\text{min}$	$\text{L}/\text{min} \times 0.2642 = \text{gpm}$
power	$\text{hp} \times 0.7457 = \text{kW}$	$\text{kW} \times 1.341 = \text{hp}$
torque	$\text{lb-ft} \times 1.3567 = \text{Nm}$	$\text{Nm} \times 0.7376 = \text{lb-ft}$
pressure	$\text{lbs}/\text{in}^2 \text{ (psi)} \times 0.06895 = \text{bar}$ $\text{lbs}/\text{in}^2 \text{ (psi)} \times 6.895 = \text{kPa}$	$\text{bar} \times 14.50 = \text{lbs}/\text{in}^2 \text{ (psi)}$ $\text{kPa} \times 0.1450 = \text{lbs}/\text{in}^2 \text{ (psi)}$
weight	$\text{lb} \times 0.4536 = \text{kg}$	$\text{kg} \times 2.205 = \text{lbs}$
force	$\text{lb} \times 4.448 = \text{N}$	$\text{N} \times 0.2248 = \text{lbs}$
volume	$\text{in}^3 \times 16.387 = \text{cm}^3$	$\text{cm}^3 \times 0.06102 = \text{in}^3$
area	$\text{in}^2 \times 6.452 = \text{cm}^2$	$\text{cm}^2 \times 0.1550 = \text{in}^2$
length	$\text{in} \times 25.4 = \text{mm}$	$\text{mm} \times 0.03937 = \text{in}$
temperature	$\frac{\text{degree F}-32}{1.8} = \text{°C}$	$1.8 \times \text{C}+32 = \text{°F}$
viscosity	$\text{cSt} \times 1.0 = \text{mm}^2/\text{sec}$ $\text{SSU} = \text{cSt} \times 4.25 + 14$	$\text{mm}^2/\text{sec} \times 1.0 = \text{cSt}$ $20 \text{ cSt} = 99 \text{ SSU}$

**FLUID POWER FORMULAS**

Pump input torque	lbs. in.	$\frac{\text{pressure(psi)} \times \text{displacement (in}^3/\text{rev)}}{2\pi \times \text{mech. eff.}}$
Pump input power	hp	$\frac{\text{rpm} \times (\text{in}^3/\text{rev}) \times (\text{psi})}{395934 \times \text{overall eff.}}$
Pump output flow	U.S. gpm	$\frac{\text{rpm} \times (\text{in}^3/\text{rev}) \times \text{volumetric eff.}}{231}$
Fluid motor speed	rpm	$\frac{231 \times \text{flow rate(U.S. gpm)} \times \text{volumetric eff.}}{\text{displacement (in}^3/\text{rev)}}$
Fluid motor torque	lbs. in.	$\frac{\text{pressure(psi)} \times \text{displacement (in}^3/\text{rev)} \times \text{mech. eff.}}{2\pi}$
Fluid motor power	hp	$\frac{\text{rpm} \times (\text{in}^3/\text{rev}) \times (\text{psi}) \times \text{overall eff.}}{395934}$
<b>(metric)</b>		
Pump input torque	Nm	$\frac{\text{pressure(bar)} \times \text{displacement (cm}^3/\text{rev)}}{20\pi \times \text{mech. eff.}}$
Pump input power	kW	$\frac{\text{rpm} \times (\text{cm}^3/\text{rev}) \times (\text{bar})}{600000 \times \text{overall eff.}}$
Pump output flow	Lpm	$\frac{\text{rpm} \times (\text{cm}^3/\text{rev}) \times \text{volumetric eff.}}{1000}$
Fluid motor speed	rpm(min <sup>-1</sup> ) (tr/mn)	$\frac{1000 \times \text{flow rate (Lpm)} \times \text{volumetric eff.}}{\text{displacement (cm}^3/\text{rev)}}$
Fluid motor torque	Nm	$\frac{\text{pressure(bar)} \times \text{displacement (cm}^3/\text{rev)} \times \text{mech. eff.}}{20\pi}$
Fluid motor power	kW	$\frac{\text{rpm} \times (\text{cm}^3/\text{rev}) \times (\text{bar}) \times \text{overall eff.}}{600000}$



- Jan 1st, 2014 - October 2013 service manual update log:  
Update item #9 and 44 on 028 parts list  
Updated item #22 on 045 parts list  
Update item #22, 35 and 37 on 060,075,100,140 parts list  
Added part # 106 and 107 to RDEC parts list  
Added 018 through drive couplings  
Added 028 BB through drive coupling  
For L0, L1, L2 and L3 compensator moved note from item number 6 to item number 4  
Updated exploded view on C0 and C1 compensator  
Updated part number on CCW AL control  
Added additional information to port adapters on A series compensators  
Updated case flow readings when compensated on all pumps.  
Added note on case flow readings when using A series compensators.
- Feb 19th, 2015 - P1-PD140 model code through drive coupling descriptions corrected  
Updated moment of inertia data for through drive on 18cc unit  
Port plates for P1/PD 100 unit have been updated  
Volume stop kit numbers have been updated. New table layout.  
Load sense controller part numbers updated.  
Pressure compensator part numbers updated.



The items described in this document and other documents and descriptions provided by Parker Hannifin Corporation, Hydraulics Group, and its authorized distributors ("Seller") are hereby offered for sale at prices to be established by Seller. This offer and its acceptance by any customer ("Buyer") shall be governed by all of the following Terms and Conditions. Buyer's order for any item described in its document, when communicated to Seller verbally, or in writing, shall constitute acceptance of this offer. All goods or work described will be referred to as "Products".

**1. Terms and Conditions.** Seller's willingness to offer Products, or accept an order for Products, to or from Buyer is expressly conditioned on Buyer's assent to these Terms and Conditions and to the terms and conditions found on-line at [www.parker.com/saleterms/](http://www.parker.com/saleterms/). Seller objects to any contrary or additional term or condition of Buyer's order or any other document issued by Buyer.

**2. Price Adjustments; Payments.** Prices stated on the reverse side or preceding pages of this document are valid for 30 days. After 30 days, Seller may change prices to reflect any increase in its costs resulting from state, federal or local legislation, price increases from its suppliers, or any change in the rate, charge, or classification of any carrier. The prices stated on the reverse or preceding pages of this document do not include any sales, use, or other taxes unless so stated specifically. Unless otherwise specified by Seller, all prices are F.O.B. Seller's facility, and payment is due 30 days from the date of invoice. After 30 days, Buyer shall pay interest on any unpaid invoices at the rate of 1.5% per month or the maximum allowable rate under applicable law.

**3. Delivery Dates; Title and Risk; Shipment.** All delivery dates are approximate and Seller shall not be responsible for any damages resulting from any delay. Regardless of the manner of shipment, title to any products and risk of loss or damage shall pass to Buyer upon tender to the carrier at Seller's facility (i.e., when it's on the truck, it's yours). Unless otherwise stated, Seller may exercise its judgment in choosing the carrier and means of delivery. No deferment of shipment at Buyers' request beyond the respective dates indicated will be made except on terms that will indemnify, defend and hold Seller harmless against all loss and additional expense. Buyer shall be responsible for any additional shipping charges incurred by Seller due to Buyer's changes in shipping, product specifications or in accordance with Section 13, herein.

**4. Warranty.** Seller warrants that the Products sold hereunder shall be free from defects in material or workmanship for a period of eighteen months from the date of delivery to Buyer. The prices charged for Seller's products are based upon the exclusive limited warranty stated above, and upon the following disclaimer: **DISCLAIMER OF WARRANTY: THIS WARRANTY COMPRISES THE SOLE AND ENTIRE WARRANTY PERTAINING TO PRODUCTS PROVIDED HEREUNDER. SELLER DISCLAIMS ALL OTHER WARRANTIES, EXPRESS AND IMPLIED, INCLUDING MERCHANTABILITY AND FITNESS FOR A PARTICULAR PURPOSE.**

**5. Claims; Commencement of Actions.** Buyer shall promptly inspect all Products upon delivery. No claims for shortages will be allowed unless reported to the Seller within 10 days of delivery. No other claims against Seller will be allowed unless asserted in writing within 60 days after delivery or, in the case of an alleged breach of warranty, within 30 days after the date within the warranty period on which the defect is or should have been discovered by Buyer. Any action based upon breach of this agreement or upon any other claim arising out of this sale (other than an action by Seller for any amount due to Seller from Buyer) must be commenced within thirteen months from the date of tender of delivery by Seller or, for a cause of action based upon an alleged breach of warranty, within thirteen months from the date within the warranty period on which the defect is or should have been discovered by Buyer.

**6. LIMITATION OF LIABILITY.** UPON NOTIFICATION, SELLER WILL, AT ITS OPTION, REPAIR OR REPLACE A DEFECTIVE PRODUCT, OR REFUND THE PURCHASE PRICE. IN NO EVENT SHALL SELLER BE LIABLE TO BUYER FOR ANY SPECIAL, INDIRECT, INCIDENTAL OR CONSEQUENTIAL DAMAGES ARISING OUT OF, OR AS THE RESULT OF, THE SALE, DELIVERY, NON-DELIVERY, SERVICING, USE OR LOSS OF USE OF THE PRODUCTS OR ANY PART THEREOF, OR FOR ANY CHARGES OR EXPENSES OF ANY NATURE INCURRED WITHOUT SELLER'S WRITTEN CONSENT, EVEN IF SELLER HAS BEEN NEGLIGENT, WHETHER IN CONTRACT, TORT OR OTHER LEGAL THEORY. IN NO EVENT SHALL SELLER'S LIABILITY UNDER ANY CLAIM MADE BY BUYER EXCEED THE PURCHASE PRICE OF THE PRODUCTS.

**7. Contingencies.** Seller shall not be liable for any default or delay in performance if caused by circumstances beyond the reasonable control of Seller.

**8. User Responsibility.** The user, through its own analysis and testing, is solely responsible for making the final selection of the system and Product and assuring that all performance, endurance, maintenance, safety and warning requirements of the application are met. The user must analyze all aspects of the application and follow applicable industry standards and Product information. If Seller provides Product or system options, the user is responsible for determining that such data and specifications are suitable and sufficient for all applications and reasonably foreseeable uses of the Products or systems.

**9. Loss to Buyer's Property.** Any designs, tools, patterns, materials, drawings, confidential information or equipment furnished by Buyer or any other items which become Buyer's property, may be considered obsolete and may be destroyed by Seller after two consecutive years have elapsed without Buyer placing an order for the items which are manufactured using such property. Seller shall not be responsible for any loss or damage to such property while it is in Seller's possession or control.

**10. Special Tooling.** A tooling charge may be imposed for any special tooling, including without limitation, dies, fixtures, molds and patterns, acquired to manufacture Products. Such special tooling shall be and remain Seller's property notwithstanding payment of any charges by Buyer. In no event will Buyer acquire any interest in apparatus belonging to Seller which is utilized in the manufacture of the Products, even if such apparatus has been specially converted or adapted for such manufacture and notwithstanding any charges paid by Buyer. Unless otherwise agreed, Seller shall have the right to alter, discard or

otherwise dispose of any special tooling or other property in its sole discretion at any time.

**11. Buyer's Obligation; Rights of Seller.** To secure payment of all sums due or otherwise, Seller shall retain a security interest in the goods delivered and this agreement shall be deemed a Security Agreement under the Uniform Commercial Code. Buyer authorizes Seller as its attorney to execute and file on Buyer's behalf all documents Seller deems necessary to perfect its security interest. Seller shall have a security interest in, and lien upon, any property of Buyer in Seller's possession as security for the payment of any amounts owed to Seller by Buyer.

**12. Improper Use and Indemnity.** Buyer shall indemnify, defend, and hold Seller harmless from any claim, liability, damages, lawsuits, and costs (including attorney fees), whether for personal injury, property damage, patent, trademark or copyright infringement or any other claim, brought by or incurred by Buyer, Buyer's employees, or any other person, arising out of: (a) improper selection, improper application or other misuse of Products purchased by Buyer from Seller; (b) any act or omission, negligent or otherwise, of Buyer; (c) Seller's use of patterns, plans, drawings, or specifications furnished by Buyer to manufacture Product; or (d) Buyer's failure to comply with these terms and conditions. Seller shall not indemnify Buyer under any circumstance except as otherwise provided.

**13. Cancellations and Changes.** Orders shall not be subject to cancellation or change by Buyer for any reason, except with Seller's written consent and upon terms that will indemnify, defend and hold Seller harmless against all direct, incidental and consequential loss or damage. Seller may change product features, specifications, designs and availability with notice to Buyer.

**14. Limitation on Assignment.** Buyer may not assign its rights or obligations under this agreement without the prior written consent of Seller.

**15. Entire Agreement.** This agreement contains the entire agreement between the Buyer and Seller and constitutes the final, complete and exclusive expression of the terms of the agreement. All prior or contemporaneous written or oral agreements or negotiations with respect to the subject matter are herein merged.

**16. Waiver and Severability.** Failure to enforce any provision of this agreement will not waive that provision nor will any such failure prejudice Seller's right to enforce that provision in the future. Invalidation of any provision of this agreement by legislation or other rule of law shall not invalidate any other provision herein. The remaining provisions of this agreement will remain in full force and effect.

**17. Termination.** This agreement may be terminated by Seller for any reason and at any time by giving Buyer thirty (30) days written notice of termination. In addition, Seller may by written notice immediately terminate this agreement for the following: (a) Buyer commits a breach of any provision of this agreement (b) the appointment of a trustee, receiver or custodian for all or any part of Buyer's property (c) the filing of a petition for relief in bankruptcy of the other Party on its own behalf, or by a third party (d) an assignment for the benefit of creditors, or (e) the dissolution or liquidation of the Buyer.

**18. Governing Law.** This agreement and the sale and delivery of all Products hereunder shall be deemed to have taken place in and shall be governed and construed in accordance with the laws of the State of Ohio, as applicable to contracts executed and wholly performed therein and without regard to conflicts of laws principles. Buyer irrevocably agrees and consents to the exclusive jurisdiction and venue of the courts of Cuyahoga County, Ohio with respect to any dispute, controversy or claim arising out of or relating to this agreement. Disputes between the parties shall not be settled by arbitration unless, after a dispute has arisen, both parties expressly agree in writing to arbitrate the dispute.

**19. Indemnity for Infringement of Intellectual Property Rights.** Seller shall have no liability for infringement of any patents, trademarks, copyrights, trade dress, trade secrets or similar rights except as provided in this Section. Seller will defend and indemnify Buyer against allegations of infringement of U.S. patents, U.S. trademarks, copyrights, trade dress and trade secrets ("Intellectual Property Rights"). Seller will defend at its expense and will pay the cost of any settlement or damages awarded in an action brought against Buyer based on an allegation that a Product sold pursuant to this Agreement infringes the Intellectual Property Rights of a third party. Seller's obligation to defend and indemnify Buyer is contingent on Buyer notifying Seller within ten (10) days after Buyer becomes aware of such allegations of infringement, and Seller having sole control over the defense of any allegations or actions including all negotiations for settlement or compromise. If a Product is subject to a claim that it infringes the Intellectual Property Rights of a third party, Seller may, at its sole expense and option, procure for Buyer the right to continue using the Product, replace or modify the Product so as to make it noninfringing, or offer to accept return of the Product and return the purchase price less a reasonable allowance for depreciation. Notwithstanding the foregoing, Seller shall have no liability for claims of infringement based on information provided by Buyer, or directed to Products delivered hereunder for which the designs are specified in whole or part by Buyer, or infringements resulting from the modification, combination or use in a system of any Product sold hereunder. The foregoing provisions of this Section shall constitute Seller's sole and exclusive liability and Buyer's sole and exclusive remedy for infringement of Intellectual Property Rights.

**20. Taxes.** Unless otherwise indicated, all prices and charges are exclusive of excise, sales, use, property, occupational or like taxes which may be imposed by any taxing authority upon the manufacture, sale or delivery of Products.

**21. Equal Opportunity Clause.** For the performance of government contracts and where dollar value of the Products exceed \$10,000, the equal employment opportunity clauses in Executive Order 11246, VEVRAA, and 41 C.F.R. §§ 60-1.4(a), 60-741.5(a), and 60-250.4, are hereby incorporated.

Parker Hannifin Corporation  
**Hydraulic Pump and Power Systems Division**  
14249 Industrial Parkway  
Marysville, OH 43040 USA  
phone 937 644 4435  
fax 937 642 3639  
[www.parker.com/hps](http://www.parker.com/hps)

