

OTTO[®]

Expect Excellence.



Switches, Grips, Joysticks and Operator Control Modules



TABLE OF CONTENTS

BASIC SWITCHES

Basic Switch Selection Guide	4
B1 Ultra Small Subminiature	5
B1-5 Basics with Integral Levers	5-6
B2 Sub-Subminiature Single Break	7-9
B2-5 Sub-Subminiature with Integral Levers	10-13
B3 Sub-Subminiature Double Break Snap-Action	14-15
B5 Subminiature Double Break Snap-Action	16-17
B5-7 Subminiature Double Pole, 4 Circuit	18

GRIPS

G2 Aerospace and Military Control Grips	20-21
G2 Flight Control Grips	22-23
G2 Commander Grips	24-28
G3 Universal Grips	29-34
G3 Dual Grip Remote	35
G3 Commercial Grips	36

HALL EFFECT TECHNOLOGY

HFNR Forward/Neutral/Reverse Rocker	38-39
HJFC Foot Pedal	40-42
HP7 Pushbutton Switches	43
HP7C Lower Cost Pushbutton Switches	44
HPL Linear Output Pushbuttons	45-47
HPW Single Axis Paddle	48-52
HTL Finger Joystick	53-58
HTLT Finger Joystick with Pushbutton Option.	59-63
HTW Output Thumbwheel	64-66
HTWE Return to End Standard Thumbwheel	67-69
HTWF Output Thumbwheel	70-72
HTWM Mini Proportional Output Thumbwheel	73-75
HTWME Return to End Mini Thumbwheel	76-78
JH Joysticks	79-80
JHM Medium Joystick	81-82
JHS-F Single Axis Joystick with Friction Hold	83-84
JHS-RC Single Axis Return to Center Joystick	85-86
JHT Miniature Joystick	87-90
JHT Z-Axis Miniature Joystick	91-93
CP Communication Protocols	94

LIMIT SWITCHES

Limit Switch Selection Guide	95
P6 Sealed	96-98
P6 Noteworthy Designs	99
P6-3 Subminiature Watertight Sealed	100-102

PENDANT SWITCHES

U7 Sealed & Unsealed	103
U2 Noteworthy Designs	104

PUSHBUTTON SWITCHES

Pushbutton Switch Selection Guide	105
LP3 Illuminated Sealed Momentary Action	106-108
LP3-V Illuminated Sealed Vandal Resistant	109-110
LP5 Illuminated Sealed Alternate Action	111-113
LP5-V Illuminated Sealed Vandal Resistant	114-115
LP7 Illuminated Sealed Momentary Action	116-117
LP7-D Extra Durable Illuminated Sealed Dome	118-120
LP9 Illuminated Sealed Momentary Action Dome	121-122
LP9L Illuminated Sealed Low Level Dome	123-124
LPL Indicator Lights	125-127
P1 Sealed Military Momentary Snap-Action	128-130
P1 Noteworthy Designs	131
P2 Sealed Two-Step Momentary Action	132-133
P3 Sealed Commercial Momentary Snap-Action	134-135
P3 Noteworthy Designs	136
P3-D Sealed Momentary Action Dome	137
P4 Pushbuttons for Basic Switches & Special Actuators	138-140
P5 Sealed Alternate Action	141-142
P5-D Alternate Action Dome	143



TABLE OF CONTENTS

PUSHBUTTON SWITCHES (CONTINUED)

P5-V Sealed Vandal Resistant Alternate Action	144-145
P7 Sealed Subminiature Momentary Action	146-147
P7 Noteworthy Designs	148
P7-D Sealed Subminiature Momentary Action Dome	149-150
P8 Sealed Subminiature Momentary or Push-Pull Double Break	151-152
P8-V Compact Vandal Resistant Momentary Snap-Action	153-154
P9 Sealed Momentary Action Dome	155-156
P9C Low Level Sealed Momentary Action Dome	157
P9M Sealed Latching Action Dome	158
PE Compact MIL-PRF-8805/96 Approved Momentary Snap-Action	159
PE2 Sealed MIL-PRF-8805/99 Approved Momentary Snap-Action	160
FG Flip Guards	161
Accessories & Hardware	162-163



ROCKER SWITCHES

Rocker Switch Selection Guide	164
K1 Sealed Snap-In Illuminated and Non-illuminated Single Pole	165-168
K2 Sealed Snap-In Illuminated and Non-illuminated Single and Double Pole	165, 169-171
K3 Sealed Snap-In Illuminated and Non-illuminated	172-174
K3P Panel Plugs with Indicator Lights	175-176
K4 Sealed Illuminated and Non-illuminated Snap-In Toggles	177-179
K5 Sealed Illuminated and Non-illuminated	180-182
Standard Legends per SAE.	183
U2 Million Cycle Sealed Momentary Action	184



ROTARY SWITCHES

R2 Sealed Illuminated Snap-In	185-187
---	---------

PANEL PLUGS FOR ROCKER AND ROTARY SWITCHES

SLIDE SWITCHES

SL Military and Commercial with Momentary and/or Maintained Action	189-190
--	---------



TRIM SWITCHES

Trim Switch Selection Guide	191
MT T1 Sealed Mini Trim 2-Way Toggle	192
MT T1-T Latching Mini Trim 2-Way Toggle	193
MT T4 Mini Trim 4-Way Toggle	194
MT T4-T Mini Trim 4-Way Toggle with Tactile Feel	195-197
MT T5 Mini Trim 4-Way Plus Center Pushbutton	198
MT T8 Mini Trim 8-Way Toggle	199
MT T4, T5 and T8 Mini Trim Button Styles	200
MT T8-T Mini Trim 8-Way Toggle with Tactile Feel	201-202
SPT Two 2-Way Momentary Toggles	203-204
T2 Large Trim 2-Way Toggle Plus Pushbutton	205
T4/T5 Large Trim Toggles	206



TOGGLE SWITCHES

Toggle Switch Selection Guide	207
T1 Sealed	208
T1 Unsealed	209
T3 Miniature with Maintained/Momentary Action.	210-211
T7 Lower Cost Sealed with Maintained/Momentary Action	212
T9 Environmentally Sealed with Maintained/Momentary Action	213-216
TE Positive Action Miniature with Maintained/Momentary Action	217-219
TG Toggle Guards	220



TRANSDUCERS

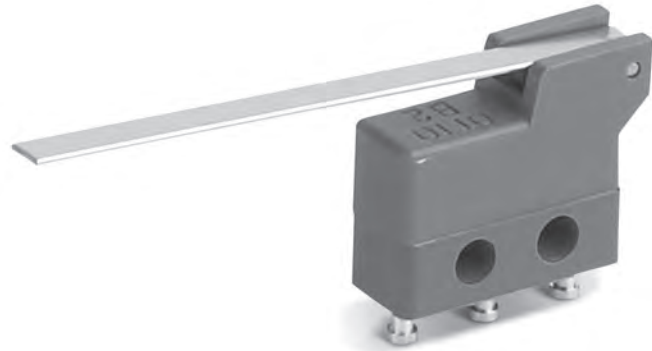
J2 Short Travel	222-224
---------------------------	---------

APPENDIX

Standard Legends per SAE	225
Noteworthy Designs	226-227
T4, T5 and T8 Mini Trim Button Styles	228
T4-T Mini Trim Button Styles	229
LED Voltage/Current Ratings Tables	230-231
Toggle Hardware Assembly Configuration	232
Military Part Number to OTTO Part Number Cross Reference	233-248
Glossary of Terms	249-252



Basic Switches



SERIES	FEATURE	MAX RATING (Resistive)	MECHANICAL LIFE	APPROVALS	CIRCUITRY
B1	Ultra Small Subminiature	2A	100,000	N/A	SPST, SPDT
B1-5	Ultra Small Subminiature with Integral Levers	2A	1,000,000	N/A	SPST, SPDT
B2	Subminiature	7A	50,000-250,000 (varies by part number)	UL (E61705), CSA (LR43865), DSCC (QPL8805)	SPST, SPDT
B2-5	Subminiature with Integral Levers	7A	100,000	UL (E61705), CSA (LR43865), DSCC (QPL8805)	SPST, SPDT
B3	Double Break Subminiature	8A	1,000,000	UL (E61705), CSA (LR43865), DSCC (QPL8805)	SPST-DB, SPDT-DB
B5	Double Break Miniature	10A	1,000,000	UL (E61705), CSA (LR43865), DSCC (QPL8805)	SPST-DB, SPDT-DB
B5-7	Double Break Miniature, Two Pole	10A	100,000	UL (E61705), CSA (LR43865), DSCC (QPL8805)	DPDT-DB

ULTRA SMALL SUBMINIATURE BASICS

B1
BASIC
SWITCHES

SINGLE BREAK, SNAP-ACTION, COMMERCIAL & MILITARY GRADES, ULTRA SMALL SUBMINIATURE

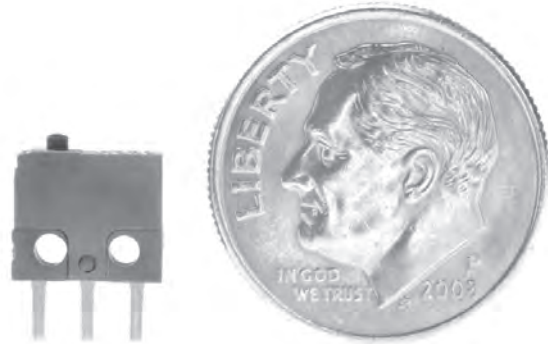
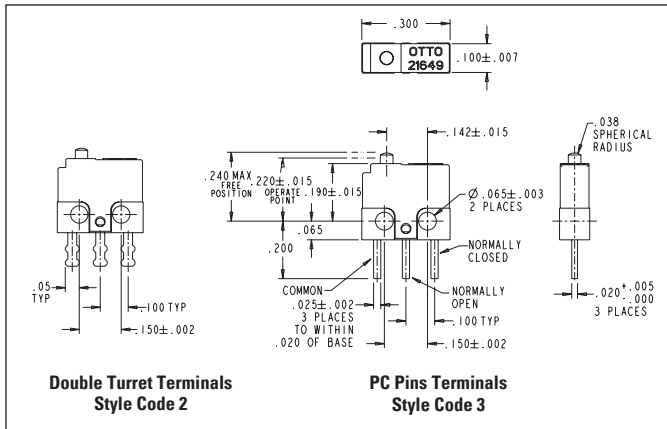
The B1 series basic switches are ultra-subminiature in size, designed to reliably switch low level signals as well as up to 2 amps switching capacity for a minimum of 25,000 cycles. Mechanical life expectancy is in excess of one million cycles.

The molded housing is rugged and structurally stable. The terminals are molded-in and sealed against solder flux entering the switch. The terminals are available in a choice of double turret solder style and 0.020" x 0.025" PC pins.

The B1 series is also available with integral lever actuators as B1-5 series.

Features:

- **Ultra-compact: only 0.300" w x 0.255" h x 0.100" thick**
- **1 million cycle life, B1-5 Series**
- **Low level or logic level switching capability**
- **Designed in accordance with MIL-PRF-8805/94**
- **Available in Commercial & Military grades**
- **Choice of solder or PC molded-in terminals**
- **Precision operating points**
- **RoHS/WEEE/Reach compliant**



Standard Characteristics/Ratings:

ELECTRICAL RATINGS:

Load	Sea Level @ 28VDC or 115VAC, 60Hz	50,000 feet @ 28VDC
Resistive	2A	2A
Inductive*	0.5A	0.2A
DWV	1000Vrms	400Vrms
Low Level	30mVDC max and 10mA max	30mVDC and 10mA max

*L/R = 0.026

Electrical Life:	25,000 cycles
Mechanical Life:	B1 Series is 100,000 cycles (B1-5 Series is 1,000,000 cycles)
Seal:	Unsealed
Operating Temp Range:	-55°C to +125°C
Operating Force:	6 oz max
Release Force:	0.7 oz min
Operate Point:	0.220 +/- 0.015 inches from mounting holes
Overtravel:	0.003 inches min
Movement Differential:	0.002 inches nominal, 0.005 inches max
Pretravel:	0.015 inches max

MATERIALS:

Case:	Thermoset, blue
Cover:	Thermoplastic, blue
Button:	Thermoplastic, black
Terminals:	Brass, gold over nickel
Contacts:	Stationary: Silver with gold Moveable: Silver with gold
Terminal Hardware:	None provided
Mounting Hardware:	None provided

ORDERING INFORMATION:

B1 Basic

Select the OTTO B1 basic switch to match your specific circuit and mechanical requirements. To order, specify your requirement using the OTTO Part Number Code shown below.

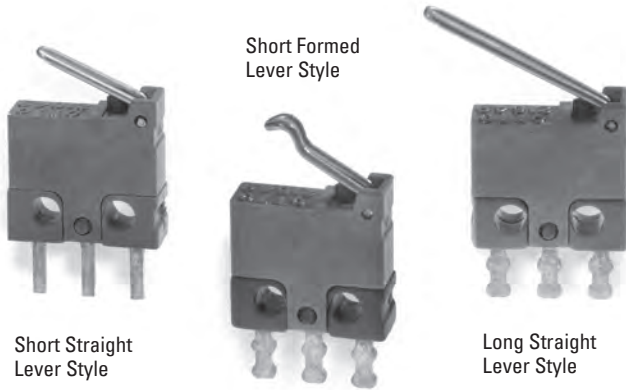
Example: B1-12111 specifies Military grade construction, double turret terminals, 6 oz max operating force and silver/gold high current contacts.

B1 PART NUMBER CODE

B1	-	X	X	X	X	X
Construction Grade		Terminal Style*	Operating Force	Movement Differential	Contact Material	
1. Military		2. Double Turret	1. 6 oz max	1. 0.005" max	1. Silver/Gold – High Current	
2. Commercial		3. PC Pins		3. Silver/Gold – Low Current		

* Wire leads available, contact factory.

SINGLE BREAK, SNAP-ACTION, COMMERCIAL & MILITARY GRADES, ULTRA SMALL SUBMINIATURE WITH INTEGRAL LEVERS



B1-5 Integral Lever Basic Switches

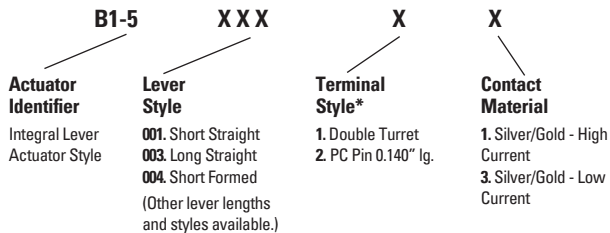
B1-5 series basic switches feature integral actuating levers. The lever is built-in so that the switch and actuator are one assembly.

Making the lever actuator an integral part of the basic switch case makes sense and saves money, too. Better precision, no parts to assemble and more variety add up to a cost saving proposition.

Lever Style	STANDARD OPERATIONAL CHARACTERISTICS						
	Catalog Number	Operating Force (max ounces)	Release Force (min ounces)	Pretravel (max inches)	Overtravel (min inches)	Movement Differential (max inches)	Operating Point (inches)
Short Straight Lever	B1-500111	1.8	0.11	0.054	0.015	0.016	0.250 +/- 0.025
Long Straight Lever	B1-500311	1.0	0.09	0.185	0.023	0.032	0.293 +/- 0.070
Short Formed Lever	B1-500411	2.0	0.15	0.030	0.015	0.020	0.293 +/- 0.025

(Other lever lengths and styles available.)

B1-5 PART NUMBER CODE



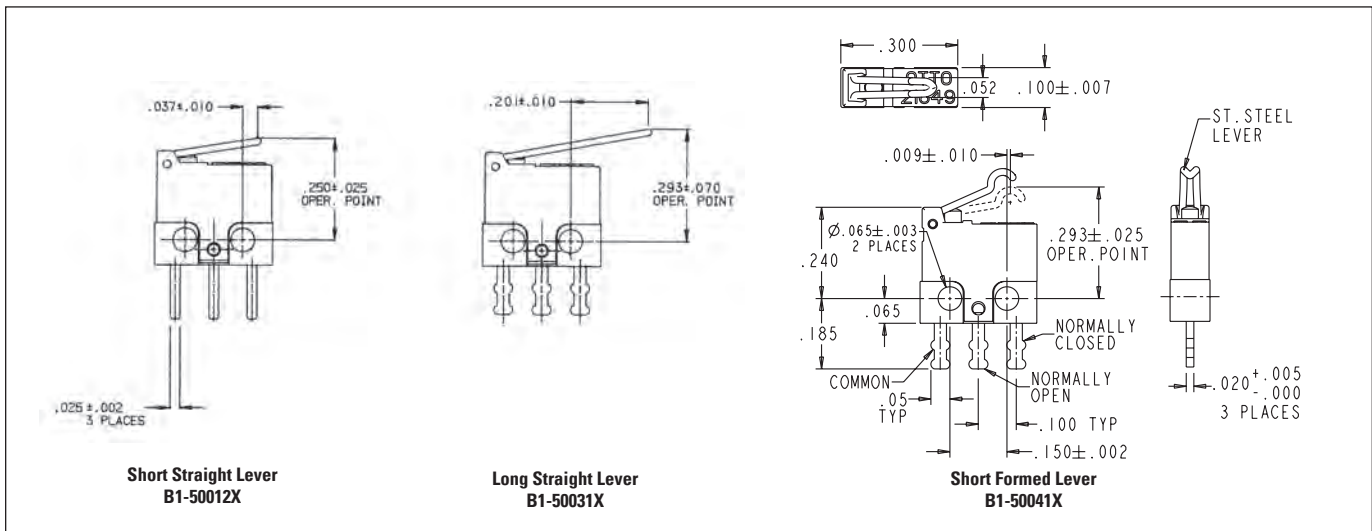
* Wire leads available, contact factory.

ORDERING INFORMATION:

B1-5 Series, Basic Switch with Integral Lever Actuator

Select the OTTO B1-5 basic switch to match your specific circuit and mechanical requirements. To order, specify your requirement using the OTTO Part Number Code shown at left.

Example: B1-500111 specifies short straight integral lever, double turret terminals and silver/gold high current contacts.



SUBMINIATURE BASIC SWITCHES

B2
BASIC SWITCHES

SINGLE BREAK, SNAP-ACTION, COMMERCIAL & MILITARY GRADES, SUBMINIATURE, TWO WIDTHS

Available in two widths, the B2 series can be specified to fit your application exactly.

In addition to being available with integral actuating levers as in the B2-5 series, the B2 series is also available with the A1 series auxiliary lever actuators as shown in the B3 section.

While the B2 series conforms to and is qualified to various military specifications, the same switch can be specified for commercial use at a cost savings.

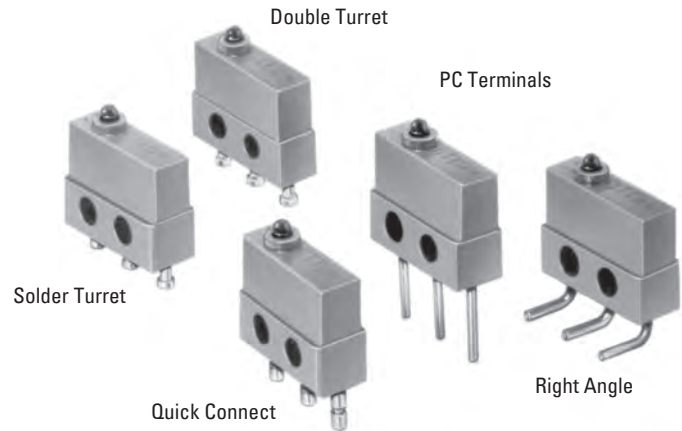
A choice of turret, quick connect and three lengths of printed circuit board style terminals are available for both the 0.156" and 0.200" wide models.

Whether it be military or commercial applications, OTTO can provide features you select for your application. You can specify the features you require without paying for ones you don't need.

The OTTO B2 subminiature switches conform to and are qualified under MIL-PRF-8805/4, MIL-PRF-8805/106 (high temp -55°C to +205°C) and MIL-PRF-8805/109. Basic switches are designed for miniature spaces where cam or other limit actuators are used on the button. In addition, a full range of toggle, pushbutton and lever actuators are available.

Features:

- Choice of 0.156" & 0.200" wide models
- Up to 7 amps switching
- Sensitive movement differentials
- Low operating forces
- Choice of 8 terminal styles or wire leads
- Long operating life
- Qualified under MIL-PRF-8805/4, MIL-PRF-8805/106 & MIL-PRF-8805/109
- UL recognized & CSA certified
- RoHS/WEEE/Reach compliant



Standard Characteristics/Ratings:

ELECTRICAL RATINGS:

High Level Switch Ratings		
Load	Rating – Sea Level	Rating – 50,000 feet
115VAC, 60Hz silver contacts with gold plate		
Resistive	7A	N/A
Inductive	7A	N/A
Lamp	2A	N/A
28VDC, silver contacts with gold plate		
Resistive	7A	4A
Inductive	4A	2.5A
Lamp	2.5A	2.5A

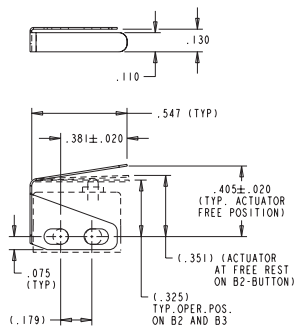
Low Level Switch Ratings		
28VDC, gold plate contacts		
Resistive	1A	1A
Inductive	0.5A	0.5A
Lamp	N/A	N/A
DWV:	1000Vrms	400Vrms

Electrical Life:	25,000 to 100,000 cycles (dependent on part number)
Mechanical Life:	50,000 to 250,000 cycles (dependent on part number)
Seal:	Unsealed
Operating Temp Range:	-55°C to +85°C, high temp rating -55°C to +205°C
Operating Force:	5 oz or 6 oz
Release Force:	1 oz min
Operate Point:	0.320 +/- 0.015 inches from mounting holes
Overtravel:	0.004 inches min
Movement Differential:	0.006 inches max
Pretravel:	0.020 inches max

MATERIALS:

Case:	Thermoset, blue
Cover:	Thermoplastic, blue
Button:	Thermoplastic, black
Terminals:	Brass, gold over nickel
Contacts:	Stationary: Silver with gold Moveable: Silver or gold
Terminal Hardware:	None provided
Optional Wires:	24 AWG blue, red, yellow
Mounting Hardware:	None provided

Auxiliary Lever Actuators for B2



A1-101-02 Shown

Catalog Number	Number of Poles
A1-115-01	1
A2-109	2

Supplied with two 2-56 panhead screws, hex nuts and lockwashers.

For additional options, contact factory.

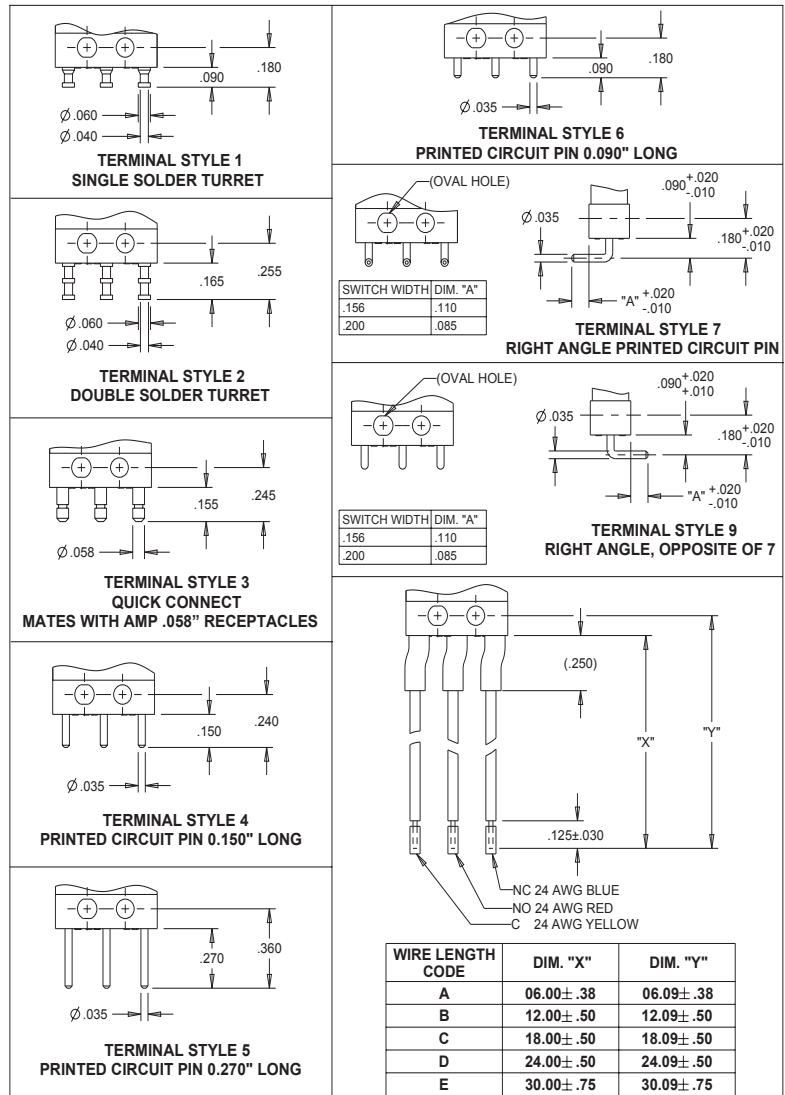
SINGLE BREAK, SNAP-ACTION, COMMERCIAL & MILITARY GRADES, SUBMINIATURE, TWO WIDTHS

MILITARY APPROVALS

(MIL-PRF-8805/4, MIL-PRF-8805/106 & MIL-PRF-8805/109)

Certain OTTO B2 models have been qualified to the military specification for these parts. The following is the latest listing.

MILITARY NO.	OTTO P/N
M8805/106-01	B2-200031
M8805/106-02	B2-200032
M8805/109-01	B2-111351
M8805/109-02	B2-112351
M8805/109-03	B2-111353
M8805/109-04	B2-112353
MS24547-1 (M8805/4)	B2-211351
MS24547-2 (M8805/4)	B2-211353
MS24547-4 (M8805/4)	B2-212351
MS24547-5 (M8805/4)	B2-212353
MS24547-6 (M8805/4)	B2-200029
MS24547-7 (M8805/4)	B2-200030



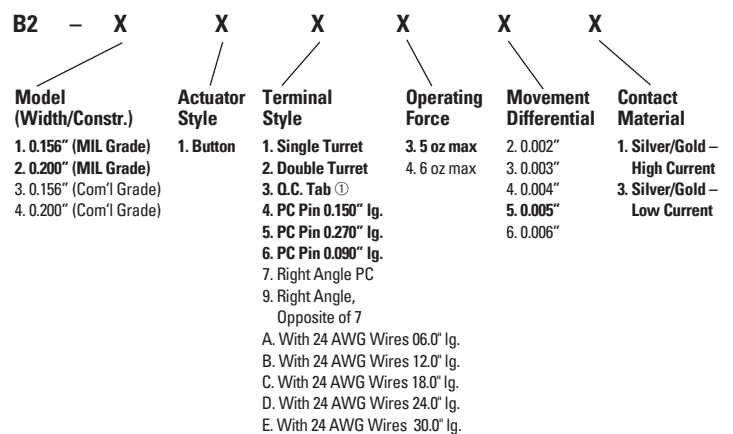
ORDERING INFORMATION:

Select the OTTO B2 basic switch to match your specific circuit and mechanical requirements. To order, specify your requirement using the OTTO Part Number Code shown to the right.

Example: B2-112351 specifies Military grade construction on a 0.156" wide base, double turret terminals, 5 oz operating force, 0.005" movement differential and silver/gold high current contacts.

B2 PART NUMBER CODE

Bold Code numbers signify standard features with best availability.

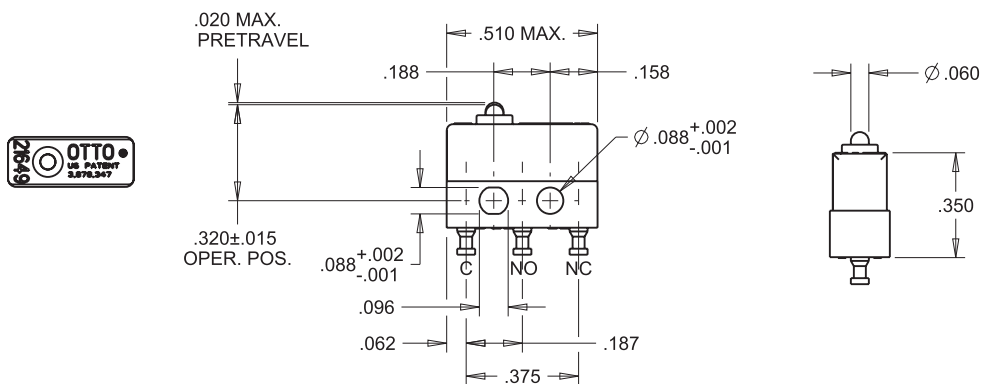


① Mates with AMP 0.058" receptacles.

SUBMINIATURE BASIC SWITCHES

SINGLE BREAK, SNAP-ACTION, COMMERCIAL & MILITARY GRADES, SUBMINIATURE, TWO WIDTHS

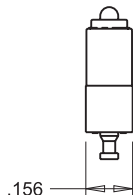
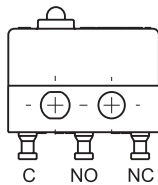
BASIC SWITCH
APPLIES TO ALL SWITCHES ON THIS PAGE



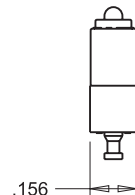
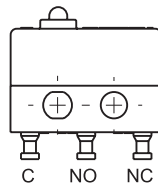
MODEL (WIDTH/CONSTRUCTION) 1
0.156" (MILITARY GRADE)

MILITARY NO. OTTO P/N

M8805/109-01	B2-111351
M8805/109-02	B2-112351
M8805/109-03	B2-111353
M8805/109-04	B2-112353



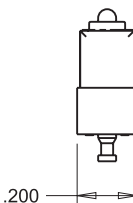
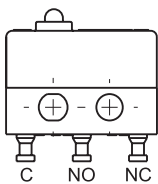
MODEL (WIDTH/CONSTRUCTION) 3
0.156" (COMMERCIAL GRADE)



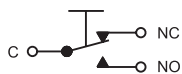
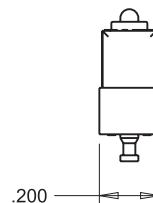
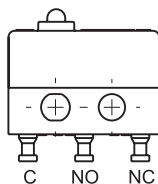
MODEL (WIDTH/CONSTRUCTION) 2
0.200" (MILITARY GRADE)

MILITARY NO. OTTO P/N

MS24547-1 (M8805/4)	B2-211351
MS24547-4 (M8805/4)	B2-212351
MS24547-2 (M8805/4)	B2-211353
MS24547-5 (M8805/4)	B2-212353

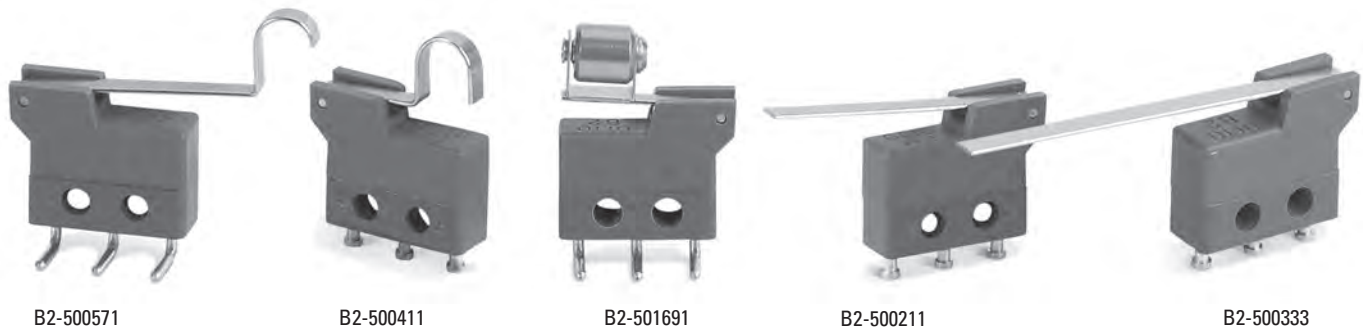


MODEL (WIDTH/CONSTRUCTION) 4
0.200" (COMMERCIAL GRADE)



SPDT-FORM C
SCHEMATIC

SINGLE BREAK, SNAP-ACTION, COMMERCIAL & MILITARY GRADES, SUBMINIATURE, TWO WIDTHS, INTEGRAL LEVERS



Shown are examples of available lever styles.

B2-5 Integral Lever Basic Switches

B2-5 series basic switches feature integral actuating levers. The lever is built-in so that the switch and actuator are one assembly.

Making the lever actuator an integral part of the basic switch case makes sense and saves money, too. Better precision, no auxiliary parts for you to assemble, and more variety add up to a cost saving proposition.

Lever Style	Catalog Number	STANDARD OPERATIONAL CHARACTERISTICS					
		Operating Force (max ounces)	Release Force (min ounces)	Pretravel (max inches)	Overtravel (min inches)	Move't Differ'l (max inches)	Operating Point (inches)
Short Lever	B2-500111	1.76	0.32	0.065	0.014	0.020	0.330 +/- 0.045
Medium Lever	B2-500211	1.10	0.18	0.115	0.025	0.035	0.330 +/- 0.045
Long Lever	B2-500311	0.71	0.11	0.185	0.046	0.060	0.330 +/- 0.045
Short Formed "U" Lever	B2-500411	2.10	0.39	0.050	0.010	0.015	0.553 +/- 0.035
Long Formed "U" Lever	B2-500511	1.10	0.18	0.105	0.022	0.035	0.572 +/- 0.070
Lever Style with Hole	B2-500611	1.10	0.18	0.115	0.025	0.035	0.330 +/- 0.045
Short "V" Lever	B2-501211	3.00	0.57	0.042	0.010	0.010	0.419 +/- 0.030
Roller Sleeve Sideways	B2-501611	2.29	0.43	0.065	0.008	0.020	0.560 +/- 0.045
Short "L" Lever	B2-501711	3.00	0.57	0.036	0.008	0.009	0.411 +/- 0.028
Short Flat "V" Lever	B2-501811	2.20	0.40	0.049	0.010	0.015	0.421 +/- 0.037
Roller Lever in Line	B2-501911	2.29	0.43	0.070	0.008	0.020	0.559 +/- 0.050
Long Roller Lever in Line	B2-502011	1.00	0.17	0.125	0.020	0.040	0.552 +/- 0.100

B2-5 PART NUMBER CODE

B2-5 **X X X**

Lever Style

- 001. Short Straight
- 002. Medium Straight
- 003. Long Straight
- 004. Short Formed "U"
- 005. Long Formed "U"
- 006. With Hole
- 012. Short "V"
- 016. Roller Sleeve Sideways
- 017. Short "L"
- 018. Short Flat "V"
- 019. Roller Lever in Line
- 020. Long Roller Lever in Line

X

Terminal Style or Wire Length

- 1. Single Solder Turret
- 2. Double Solder Turret
- 3. Quick Connect*
- 4. PC Pin 0.150" lg.
- 5. PC Pin 0.270" lg.
- 6. PC Pin 0.090" lg.
- 7. Right Angle PC Pin
- 9. Right Angle**
- A. With Wires 06.0" lg.
- B. With Wires 12.0" lg.
- C. With Wires 18.0" lg.
- D. With Wires 24.0" lg.
- E. With Wires 30.0" lg.

X

Contact Material

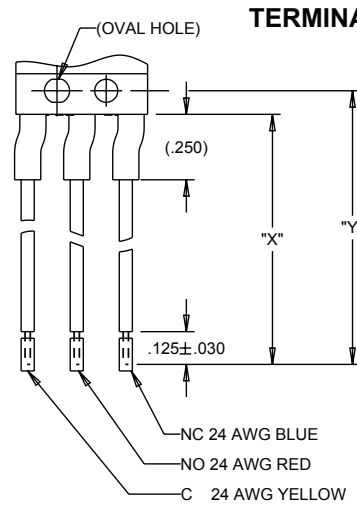
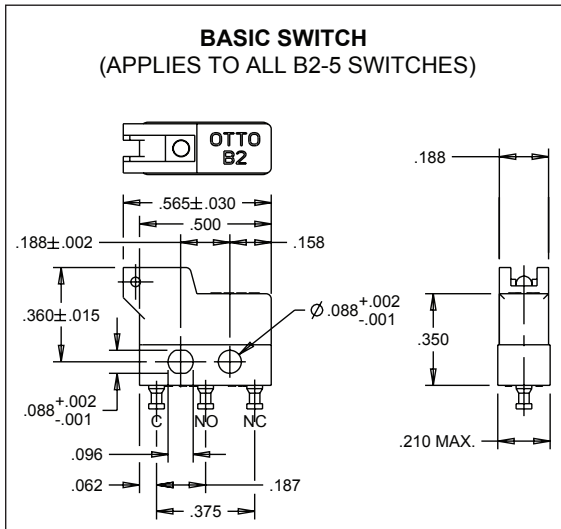
- 1. Silver/Gold - High Current
- 3. Silver/Gold - Low Current

* Mates with AMP .058" receptacles
** Opposite of 7

B2 BASICS WITH INTEGRAL LEVERS

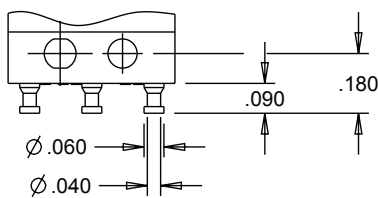
B2-5
BASIC SWITCHES

SINGLE BREAK, SNAP-ACTION, COMMERCIAL & MILITARY GRADES, SUBMINIATURE, TWO WIDTHS, INTEGRAL LEVERS

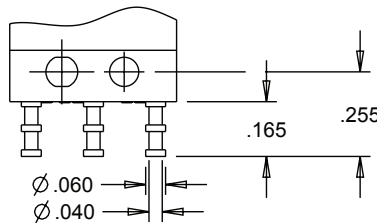


WIRE LENGTH FOR A, B, C, D & E

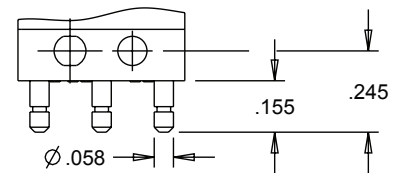
WIRE LENGTH CODE	DIM. "X"	DIM. "Y"
A	06.00±.38	06.09±.38
B	12.00±.50	12.09±.50
C	18.00±.50	18.09±.50
D	24.00±.50	24.09±.50
E	30.00±.75	30.09±.75



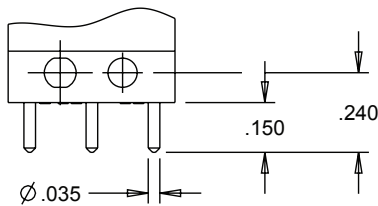
TERMINAL STYLE 1
SINGLE SOLDER TURRET



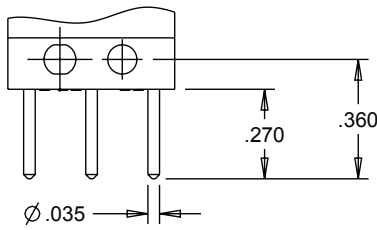
TERMINAL STYLE 2
DOUBLE SOLDER TURRET



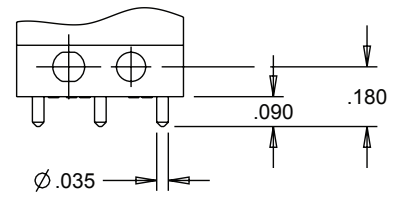
TERMINAL STYLE 3
QUICK CONNECT
MATES WITH AMP .058 INCH RECEPTACLES



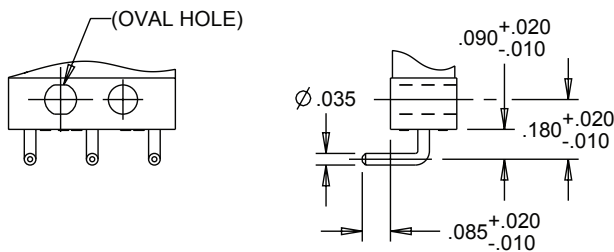
TERMINAL STYLE 4
PRINTED CIRCUIT PIN 0.150" LONG



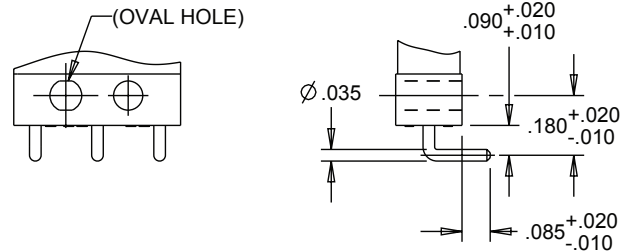
TERMINAL STYLE 5
PRINTED CIRCUIT PIN 0.270" LONG



TERMINAL STYLE 6
PRINTED CIRCUIT PIN 0.090" LONG



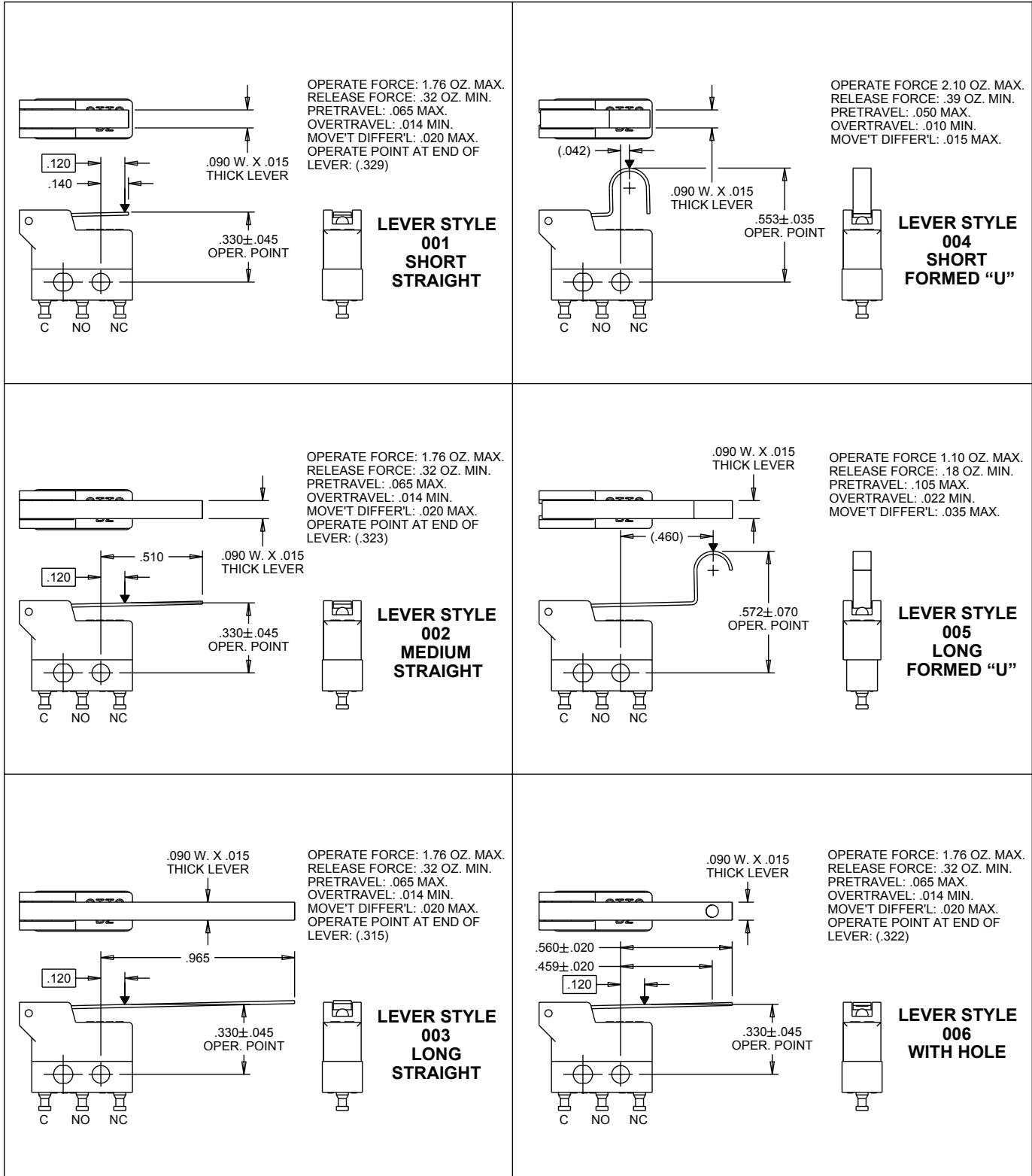
TERMINAL STYLE 7
RIGHT ANGLE PRINTED CIRCUIT PIN



TERMINAL STYLE 9
RIGHT ANGLE, OPPOSITE OF 7

SINGLE BREAK, SNAP-ACTION, COMMERCIAL & MILITARY GRADES, SUBMINIATURE, TWO WIDTHS, INTEGRAL LEVERS

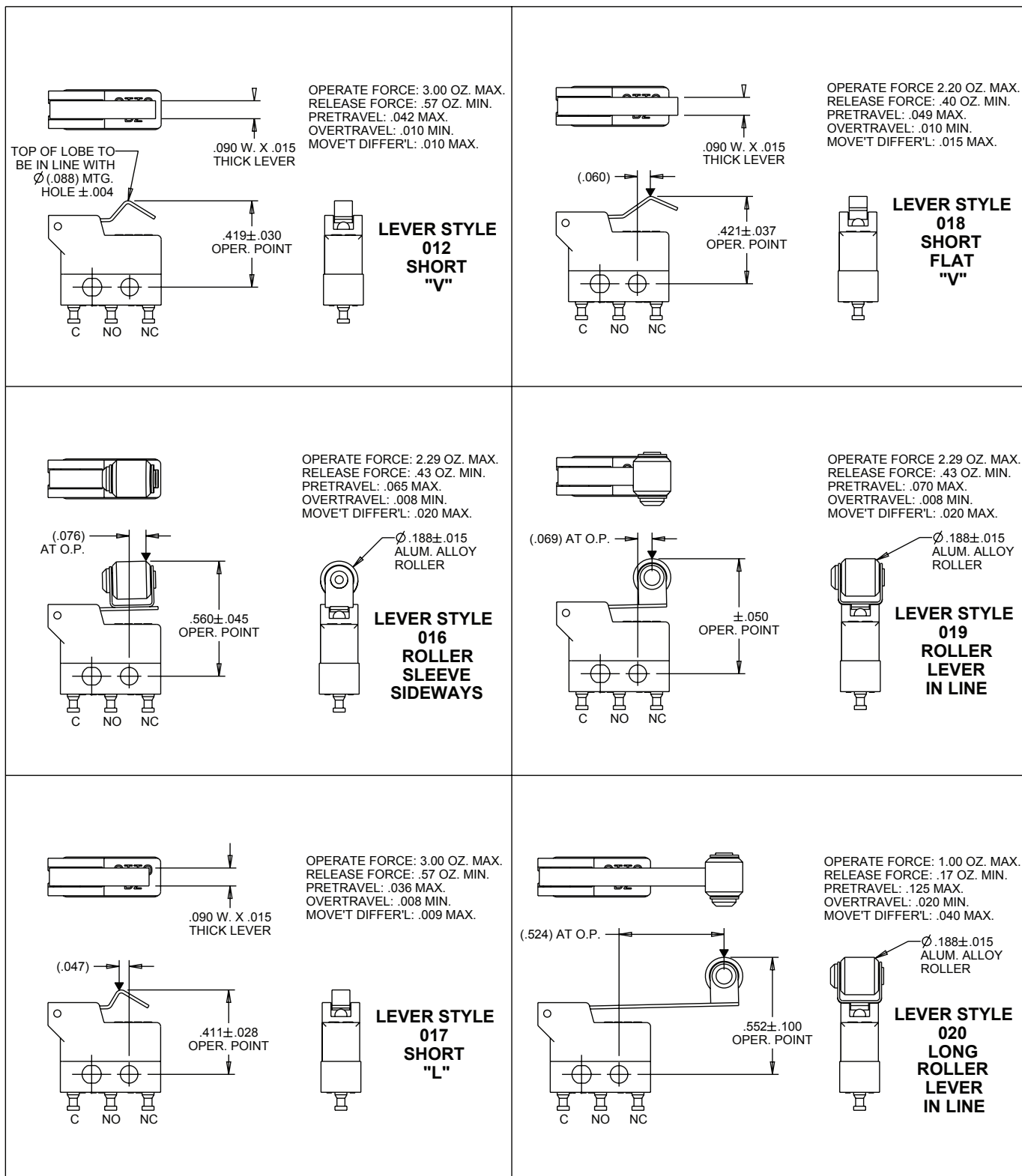
B2-5 LEVER STYLES



B2 BASICS WITH INTEGRAL LEVERS

SINGLE BREAK, SNAP-ACTION, COMMERCIAL & MILITARY GRADES, SUBMINIATURE, TWO WIDTHS, INTEGRAL LEVERS

B2-5 LEVER STYLES



DOUBLE BREAK, SNAP-ACTION, COMMERCIAL & MILITARY GRADES, SUBMINIATURE

MIL-PRF-8805/76 (0.200 inches wide)

OTTO's B3-2XXXX series is a subminiature switch that is qualified to MIL-PRF-8805/76. Designed to switch at least one million mechanical cycles, the B3 surpasses the requirements of the military in these categories: contact resistance less than 25mΩ, contact bounce and overall cycle life. For MIL-PRF-8805/76 requirements, B3-22141 has standard silver with gold contacts, SPDT double break two circuit (Form Z), solder terminals in thermoset case material. Gold plated contacts are available for non-military applications. UL recognized and CSA certified models available.

MIL-PRF-8805/101 (0.156 inches wide)

For your really difficult projects, try OTTO'S B3 series. They are qualified to the OTTO inspired MIL-PRF-8805/101 specification. Only 0.156" thick, think of all those extra 0.044" you can use in those tight ganged jobs. With the B3 series, you can get an extra pole in where only four MIL-PRF-8805/76's fit, with room to spare. Examine the characteristics. With the MIL-PRF-8805/101, the only thing you give up is the extra space the MIL-PRF-8805/76 takes. Cycle life, very low contact resistance, minimal contact bounce... everything is exactly as provided by the MIL-PRF-8805/76 specification.

For MIL-PRF-8805/101 requirements, B3-11141 (PC pin) and B3-12141 (turret) have silver with gold contacts and SPDT double break (Form Z) contact. For commercial applications, a variety of contact forms, special forces and gold plate contacts are available. Most versions are also UL recognized and CSA certified.

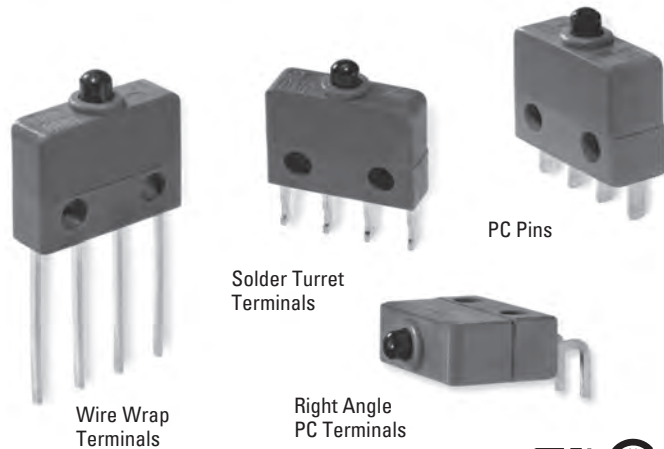
Great circuit versatility is available with either switch style. You have your choice of normally open (Form X) or closed (Form Y), 3 terminal (Form C) and 4 terminal (Form Z) SPDT double break.

Features:

- Low level switching capability
- Less than 25mΩ contact resistance
- Up to 8 amps switching capability
- Button accepts actuation directly from a cam
- Choice of 0.156" & 0.200" wide models
- Choice of 6 standard terminal styles or wire leads
- Available in Commercial & Military grades
- Qualified to MIL-PRF-8805/76 & MIL-PRF-8805/101
- UL recognized & CSA certified
- RoHS/WEEE/Reach compliant

APPLICATIONS

OTTO subminiature switches are designed to meet all applications requiring MIL-PRF-8805/76 or MIL-PRF-8805/101 switches. Basic switches are designed for miniature spaces where cam or other limit actuators are used. In addition, toggle, pushbutton and lever actuators are available.



Standard Characteristics/Ratings:

ELECTRICAL RATINGS:

Circuitry	Load	Sea Level @ 28VDC	70,000 feet @ 28VDC	Sea Level @ 115VAC, 60/400Hz*
SPST-NO or NC	Resistive	8A	8A	8A
Form Z		5A	5A	5A
Form C		5A	5A	5A
Gold Contacts		5A	5A	N/A
SPST-NO or NC	Inductive**	5A	3A	5A
Form Z		3A	2A	3A
Form C		2.5A	1.5A	2.5A
Gold Contacts		3A	2A	3A
*Applies to commercial grade switches				
**L/R = 0.026				
Lamp		1A	N/A	1A
Motor		5A	N/A	
DWV		1000Vrms	400Vrms	

Low Level: Gold contacts 10mA @ 30mV

Electrical Life: 50,000 cycles at full load

Mechanical Life: 1,000,000 cycles

Seal: Unsealed

Operating Temp Range: -65°C to +125°C

Operating Force: 5 oz +/- 2 oz typical, 6 oz max, or 5 oz min options

Release Force: 1.5 oz min

Operate Point: 0.320 +/- 0.015 inches from mounting holes

Overtravel: 0.004 inches min

Movement Differential: 0.018 +/- 0.008 inches

MATERIALS:

Case: Thermoset, blue

Cover: Thermoplastic, blue

Button: Thermoplastic, black

Terminals: Brass with gold

Contacts: Stationary: Silver with gold plate
Moveable: Silver with gold plate

Terminal Hardware: None provided, optional wires

Mounting Hardware: None provided

SUBMINIATURE BASIC SWITCHES

DOUBLE BREAK, SNAP-ACTION, COMMERCIAL & MILITARY GRADES, SUBMINIATURE

CONTACT CONFIGURATIONS:

MIL-PRF-8805/76 and MIL-PRF-8805/101 specify single pole, double throw, double break (Form Z) contact configuration. Available and included in the military specifications are SPNO and SPNC double break, (Form X and Y). The MIL-PRF-8805/101 also specifies SPDT Form C.

MILITARY APPROVALS

(MIL-PRF-8805/76 & MIL-PRF-8805/101)

Certain OTTO B3 models have been qualified to the military specification for these parts. The following is a partial listing. Consult the Cross Reference that appears at the back of this catalog for the latest, complete listings.

MILITARY NO.	OTTO P/N	MILITARY NO.	OTTO P/N
MS27257-1	B3-26141	M8805/101-011	B3-15141
MS27257-2	B3-22141	M8805/101-012	B3-15142
M8805/101-001	B3-10064	M8805/101-013	B3-13141
M8805/101-002	B3-10065	M8805/101-014	B3-13142
M8805/101-003	B3-10066	M8805/101-015	B3-11131
M8805/101-004	B3-10067	M8805/101-016	B3-11132
M8805/101-005	B3-10063	M8805/101-017	B3-12131
M8805/101-006	B3-10072	M8805/101-018	B3-12132
M8805/101-007	B3-11141	M8805/101-019	B3-15131
M8805/101-008	B3-11142	M8805/101-020	B3-15132
M8805/101-009	B3-12141	M8805/101-021	B3-13131
M8805/101-010	B3-12142	M8805/101-022	B3-13132

ORDERING INFORMATION:

B3 Basic

Select the OTTO B3 basic switch to match your specific circuit and mechanical requirements. To order, specify your requirement using the OTTO Part Number Code shown below.

Example: B3-12141 is 0.156" wide, has 1/8" long turret terminals, 5 oz operating force, SPDT double break and silver/gold contacts (MIL-PRF-8805/101).

B3 PART NUMBER CODE

Bold Code items signify conformance to MIL-PRF-8805 specifications.

B3	-	X	X	X	X
Model		Terminal Style or Wire Length	Operating Force	Circuitry	Contact Material
1. 0.156" (MIL Grade)		1. PC Pins	1. 5 ⁺³ / ₋₂ oz	1. SPNO-DB, Form X	1. Silver/Gold – High Current
2. 0.200" (MIL Grade)		2. Turret, 1/8" lg.	2. 5 oz min	2. SPNC-DB, Form Y	2. Silver/Gold – Low Current
3. 0.156" (Com'l Grade)		3. Turret, 3/16" lg.	3. 6 oz max	3. SPDT, Form C	
4. 0.200" (Com'l Grade)		4. Wire Wrap		4. SPDT-DB, Form Z	
		5. Right Angle PC Pins			
		6. Solder ①			
		A. With Wires 06.0" lg.			
		B. With Wires 12.0" lg.			
		C. With Wires 18.0" lg.			
		D. With Wires 24.0" lg.			
		E. With Wires 30.0" lg.			

① Available on 0.200" wide models only.

Basic Switch shown with Solder Turret Terminals

Terminal Style	Dim. "A" Length
2	0.125"
3	0.187"

Printed Circuit Pin Terminal Style 1

.053±.003

.125

Wire Wrap Terminal Style 4

.502

.030

Right Angle Printed Circuit Terminal Style 5

90°±3°

.125

"A"

SWITCH WIDTH	DIM. "A"
.156	.092
.200	.070

Solder Terminal Style 6

(.200)

.115

.092

Available on the 0.200" model only.

Auxiliary Lever Actuators for B3

Catalog Number	Number of Poles
A1-101-02	1
A3-102	2

Supplied with two 2-56 panhead screws, hex nuts and lockwashers.

For additional options, contact factory.

DOUBLE BREAK, SNAP-ACTION COMMERCIAL & MILITARY GRADES, MINIATURE

B5 series basic switches are miniature in size and feature up to 10 amps switching capability of 100,000 cycles. Mechanical life is one million cycles.

The molded housing is rugged and structurally stable. The terminals are sealed against solder flux entering the switch and are bright acid tin plated for excellent solderability.



Solder
Terminal Style



Features:

- Up to 10 amps switching capability
- High contact pressure
- Precision operating points
- Button accepts actuation directly from cam
- Constructed in accordance with MIL-PRF-8805/7
- Available in Commercial & Military grades
- Choice of four standard terminal styles or wire leads
- UL recognized & CSA certified
- B5-21141 qualified to MS27217-1
- RoHS/WEEE/Reach compliant

Standard Characteristics/Ratings:

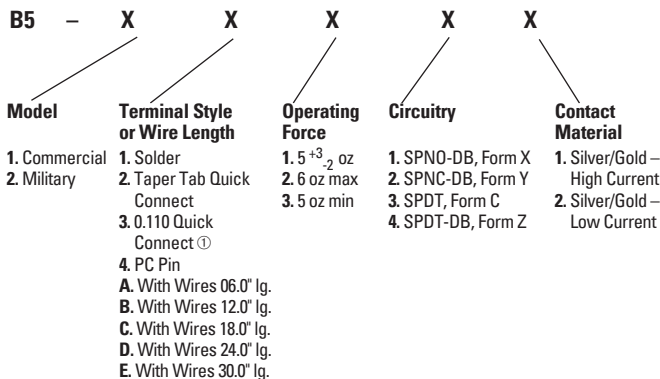
ELECTRICAL RATINGS:

Circuitry	Load	Sea Level @ 28VDC	70,000 feet @ 28VDC	Sea Level @ 115VAC, 60Hz
SPNO-DB & SPNC-DB	Resistive	10A	10A	10.1A
	Inductive*	7.5A	3.5A	5A
	Lamp	1A	N/A	3A
SPDT-DB	Resistive	10A	10A	10.1A
2 Circuit	Inductive*	5A	2A	5A
	Lamp	3A	N/A	1.5A
SPDT	Resistive	10A	10A	10.1A
	Inductive*	3A	1.5A	N/A
	Lamp	3A	N/A	N/A

*L/R = 0.026

DVV	1000Vrms	400Vrms
Electrical Life:	100,000 cycles	
Mechanical Life:	1,000,000 cycles	
Seal:	Unsealed	
Operating Temp Range:	-65°C to +125°C	
Operating Force:	5 oz, +3/-2 oz or 6 oz max or 3 oz min	
Release Force:	2 oz min	
Operate Point:	0.406 +/- 0.010 inches from mounting holes	
Overtravel:	0.012 inches min	
Movement Differential:	0.020 +/- 0.005 inches	
Pretravel:	0.050 inches max	
MATERIALS:		
Case:	Thermoset, blue	
Cover:	Thermoset, blue	
Button:	Thermoplastic, black	
Terminals:	Brass with bright acid tin plating	
Contacts:	Stationary: Silver with gold Moveable: Silver with gold	
Terminal Hardware:	None provided, optional wires	
Mounting Hardware:	None provided	

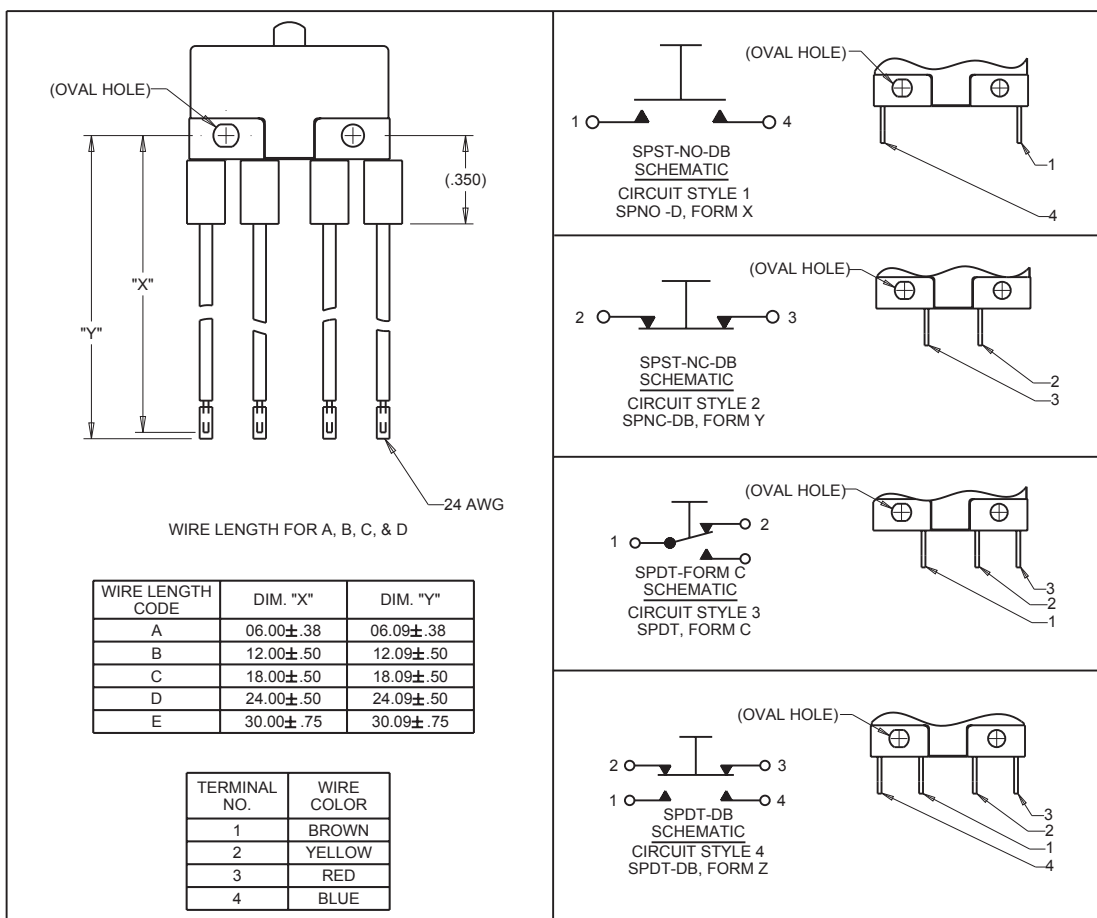
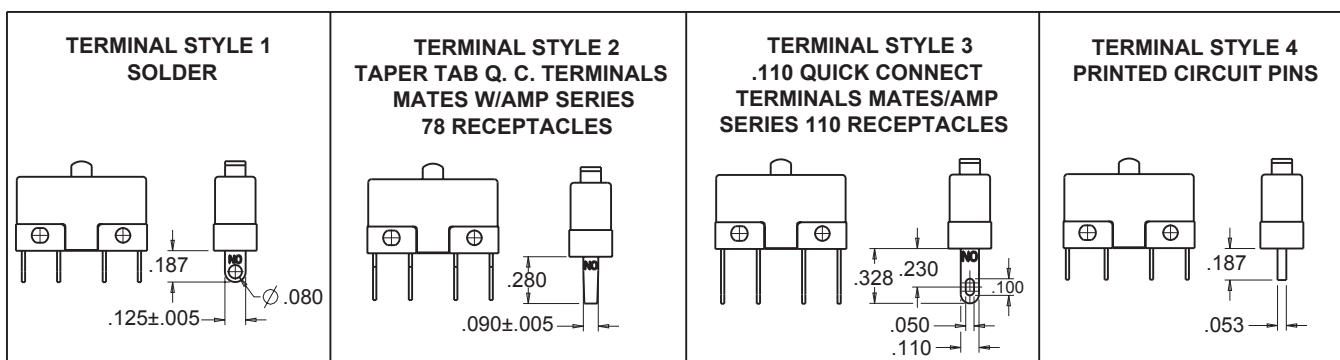
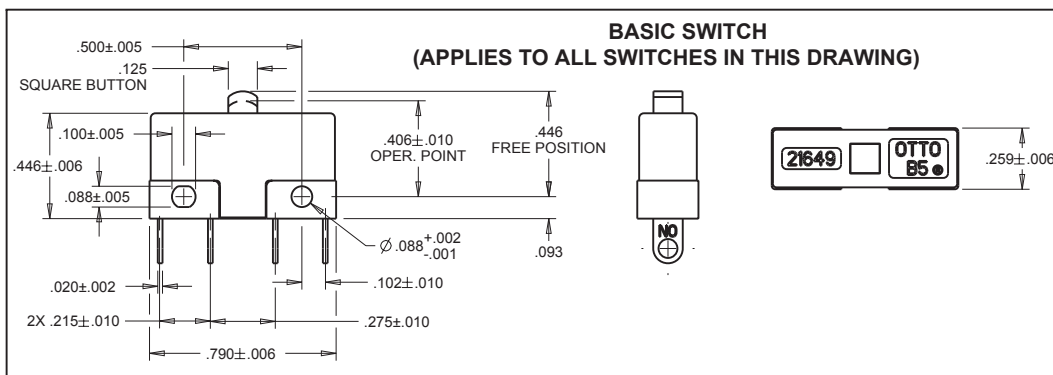
B5 PART NUMBER CODE



① Mates with AMP Series 110 receptacles.

MINIATURE BASIC SWITCHES

DOUBLE BREAK, SNAP-ACTION COMMERCIAL & MILITARY GRADES, MINIATURE



DOUBLE BREAK, SNAP-ACTION, MINIATURE, FRONT OR END TERMINALS



End Terminal Style



Front Terminal Style

Two switches in one case! The B5-7 series basic switches are miniature in size but feature up to 10 amps switching capability of 100,000 cycles.

The molded housing is rugged and structurally stable. The terminals are sealed against solder flux entering the switch and are bright acid tin plate brass for excellent solderability. B5-71 has end terminals; B5-72 has front terminals.

Features:

- Double pole, 4-circuit
- Up to 10 amps switching capability
- Simultaneity of both poles to within 0.004"
- Button accepts actuation directly from cam
- Choice of end or front terminals
- RoHS/WEEE/Reach compliant

Standard Characteristics/Ratings:

ELECTRICAL RATINGS: See chart below

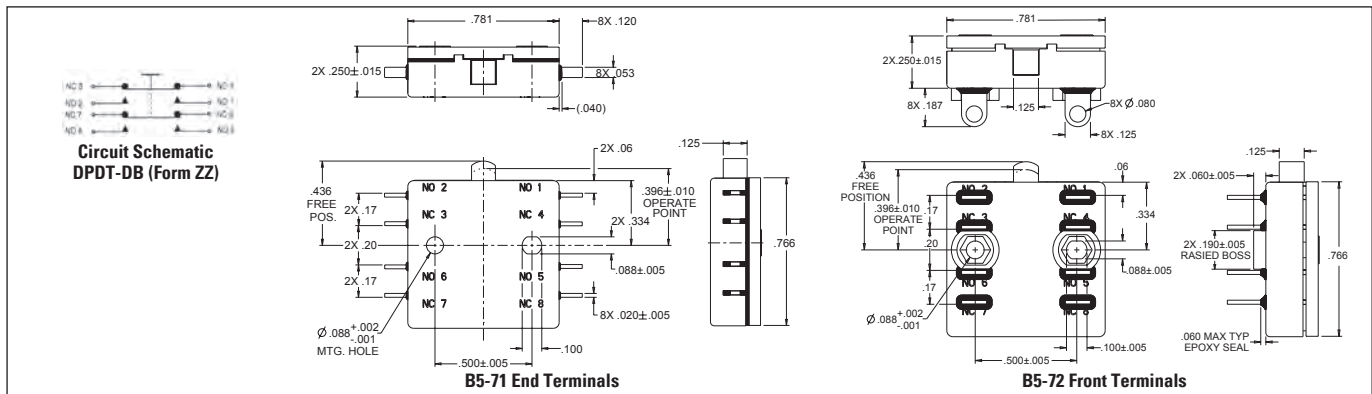
Electrical Life:	50,000 cycles
Mechanical Life:	100,000 cycles
Seal:	Unsealed
Operating Temp Range:	-65°C to +125°C
Operating Force:	12 +/- 4 oz
Release Force:	5 oz min
Operate Point:	0.396 +/- 0.010 inches from mounting holes
Overtravel:	0.012 inches min
Simultaneity:	Within 0.004 inches
Movement Differential:	0.020 +/- 0.010 inches
Pretravel:	0.050 inches max

MATERIALS:

Case:	Thermoset, blue
Cover:	Thermoset, blue
Button:	Thermoplastic, black
Terminals:	End or front solder type brass with bright acid tin plating
Contacts:	Silver with gold
Terminal Hardware:	None provided
Mounting Hardware:	None provided

Catalog Number	Type of Load	Sea Level @ 28VDC DPST	Sea Level @ 28VDC 4 Circuit	Sea Level @ 115VAC, 60Hz DPST	Sea Level @ 115VAC, 60Hz 4 Circuit	70,000 feet @ 28VDC DPST	70,000 feet @ 28VDC 4 Circuit	Contact Plating Over Silver
B5-71001 & B5-72001	Resistive	10A	10A	7.5A	5A	10A	10A	Gold
B5-71001	Inductive*	7.5A	5A	5A	5A	3.5A	2A	Gold
B5-72001	Inductive	5A	2A	5A	5A	3.5A	2A	Gold
B5-71001 & B5-72001	Lamp	2A	2A	N/A	N/A	N/A	N/A	Gold
B5-71004 & B5-72004	Resistive	5A	5A	N/A	N/A	5A	5A	Gold
B5-71004 & B5-72004	Inductive*	3A	3A	N/A	N/A	3A	3A	Gold
B5-71002 Low Level	Resistive	1A	1A	N/A	N/A	1A	1A	Gold
B5-72002 Low Level	Inductive*	0.5A	0.5A	N/A	N/A	0.5A	0.5A	Gold
Dielectric Withstand:		1000Vrms	1000Vrms	1000Vrms	1000Vrms	400Vrms	400Vrms	

*L/R = 0.026



G2 and G3 Grips



MILITARY GROUND SUPPORT & FLIGHT CONTROL GRIPS

For over 50 years, OTTO has built a reputation for innovative engineering capabilities and adherence to the highest quality standards. Our switches and controls perform every day in some of the toughest applications in the world, from Military Ground Support Grips, Throttle Quadrant and Control Grips for fixed-wing aircraft, to Helicopter Cyclic and Collective Grips. OTTO houses a complete MIL-I-45208, as well as ISO 17025 (A2LA), onsite test lab facility with environmental, mechanical, electrical and audio test capabilities. Registration to ISO 9001:2008, AS9100C and FAA Part 145 Repair Station. Our experience and know-how in the design and manufacturing of precision switches and grips have made us a supplier to all flight control manufacturers. With an emphasis on sealed-switch technology and custom electromechanical switch design and development, OTTO has a solution to meet the most demanding applications.

Military Ground Support Grips

- Custom machined heads available to fit standard handles
- Backlighting options
- Custom head can be outfitted with a variety of OTTO switches

Military Flight Control Grips

- B8 & Cobra style grips are made in accordance with MIL-DTL-25561
- Most ergonomic version on the market
- Non-reflecting, non-hygroscopic, rugged injection molded grip
- Choice of termination styles—from integral connectors to wire harnesses
- Threaded disconnect or tube mounting
- Can be populated with MIL qualified switches, standard or custom configurations

Throttle Control Grips

- Control for fixed-wing aircraft
- Custom toggle & rocker switches can be used to meet high cycle requirements



Collective Grips



Military Ground Support Grips



Cyclic Grips



Cobra Style Grips



B8 Style Grips



Throttle Grips

HELICOPTER CYCLIC & COLLECTIVE GRIPS



Exploded View

Helicopter Cyclic & Collective Grips

- Grips have thin-wall, investment cast aluminum construction for high strength & low weight
- Modular construction
- Custom heads & switch mounting plates can be fabricated to fit standard handles
- Available with switch access panel for easy repair & maintenance
- A variety of button colors & style options available
- Transducer & electromechanical trim switch options



Collective Grip with
Thumbwheel Switch
and NVG Backlighting



Helicopter
Cyclic Grips



Cyclic Grip with
Custom Switch
Guards

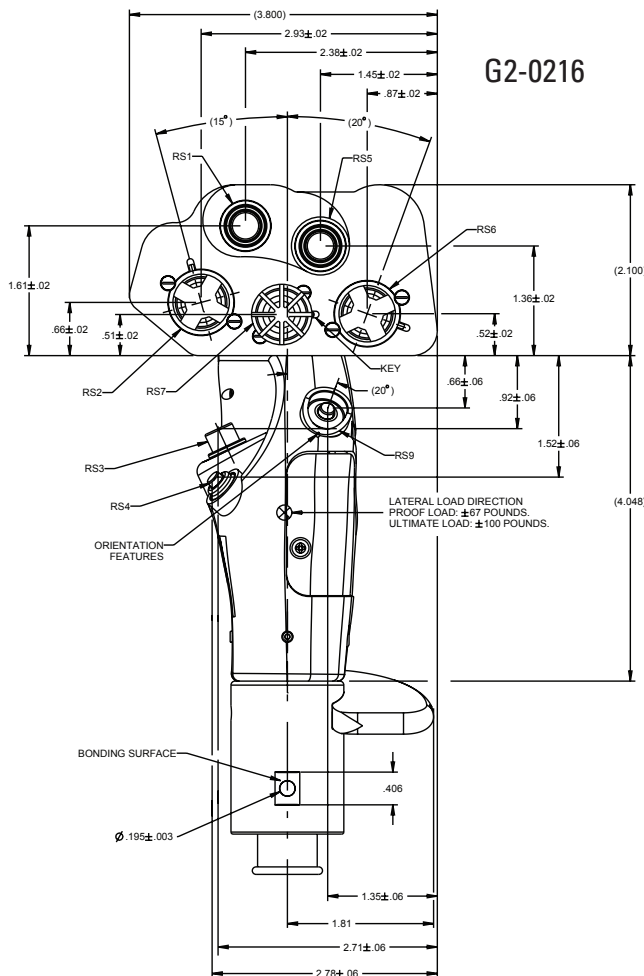


Systems Grip

RUGGED DESIGN

For over 50 years, OTTO has built a reputation for innovative engineering capabilities and adherence to the highest quality standards. Our switches and controls perform every day in some of the toughest applications in the world, from Military Ground Support Grips, Throttle Quadrant and Control Grips for fixed-wing aircraft, to Helicopter Cyclic and Collective Grips. OTTO houses a complete MIL-I-45208, as well as ISO 17025 (A2LA), onsite test lab facility with environmental, mechanical, electrical and audio test capabilities. Registration to ISO 9001:2008, AS9100C and FAA Part 145 Repair Station.

Using OTTO's extensive experience in designing and manufacturing flight grips combined with OTTO's high quality, high performance switches, OTTO has created standard flight grips for use in a variety of flight control applications. The G2-0216, G2-0217 and G2-0218 grips are cast aluminum for strength and include a multitude of switches to control a myriad of functions. Standard cable length is 8' min. The grips are designed to be dropped in to almost any flight control application.



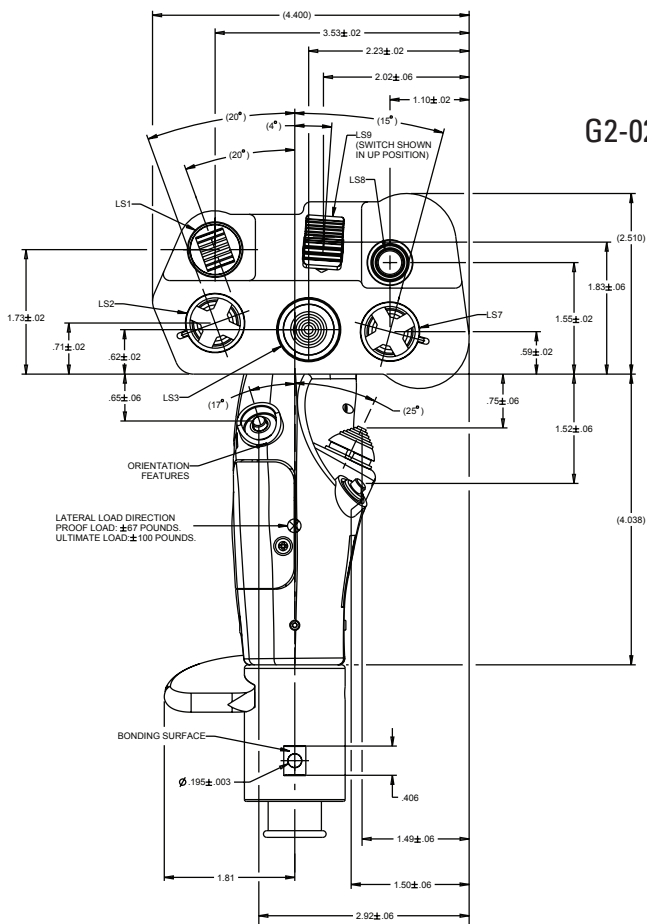
Features:

- **Flight control grips now offered as a standard part - Ready to use right out of the box**
- **Available in three versions - left hand with hand rest, right hand with hand rest and right hand with no hand rest**
- **Grips have thin-wall, investment cast aluminum construction for high strength & low weight**
- **Modular construction**
- **Incorporates switch access panel for easy repair & maintenance**

Our experience and know how in the design and manufacturing of precision switches and grips have made us a supplier to all major flight control manufacturers. With an emphasis on sealed-switch technology and custom electromechanical switch design and development, OTTO has a solution to meet the most demanding applications.

G2 FLIGHT CONTROL GRIPS

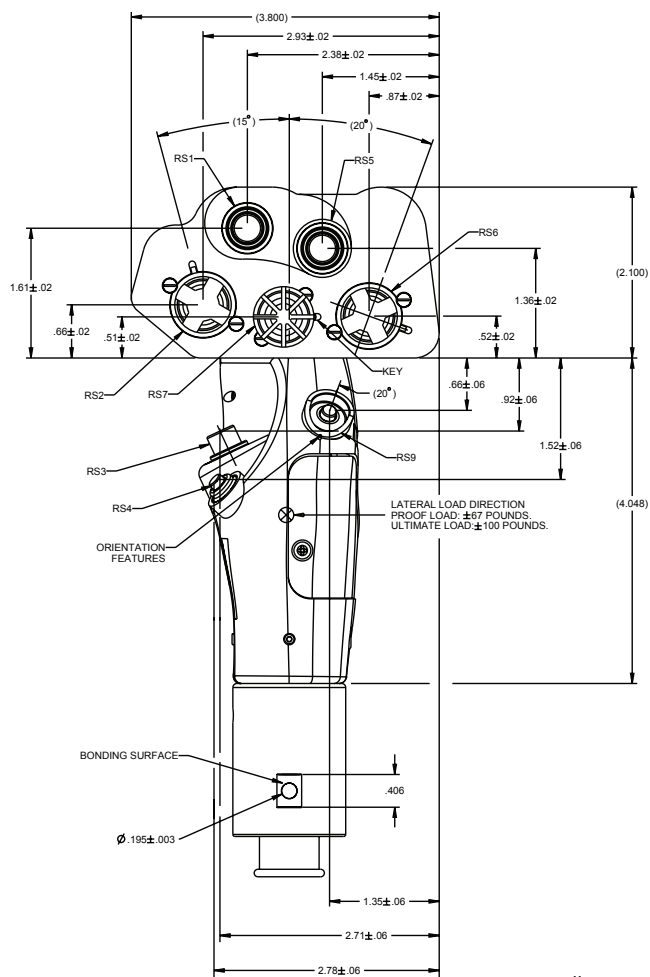
RUGGED DESIGN



G2-0217



G2-0218



RUGGED DESIGN

Cast from aluminum alloy, the G2 Commander Grip is a rugged industrial control grip suitable for demanding applications. The standard G2 Commander Grip offers nine different faceplate configurations that include pushbutton, toggle, transducer, split trim and Hall effect switches. Thousands of custom faceplate configurations are possible. The grip body has 10 possible switch location options.

The G2 Commander Grip is suitable for use in military, aerospace and industrial applications, and is the ideal solution where durability and dependability are required.

- **Standard design eliminates the need for tooling charges**
- **Available as a fixed grip or can be mounted on an OTTO JH or JHM series Hall effect joystick**
- **Various mounting & termination options available**
- **Nine standard faceplate configurations that collectively include OTTO's T3, T4 and T5 toggle switches, P4, P7 and P9 pushbutton switches, K1 rocker switches, SPT split trim switches, J2 transducer switches, FG flip guards, and HTWM, HTL and HTLT Hall effect switches.**
- **Thousands of custom faceplate configurations possible that can accommodate virtually all OTTO pushbutton, rocker, toggle, trim, transducer and thumbwheel switches**
- **Operator presence and trigger options**
- **USB output option**
- **Tested to withstand a 265 lb. load**
- **Grip sealed to IP68S (subject to change based on switch choice)**



Commander Grip with Brow Shown

Standard Physical Characteristics:

MATERIALS:

Handle:	Aluminum, investment cast, A356-T6
Faceplate:	Aluminum, wrought, 6061-T6
Wires:	22 AWG per M22759/11-22

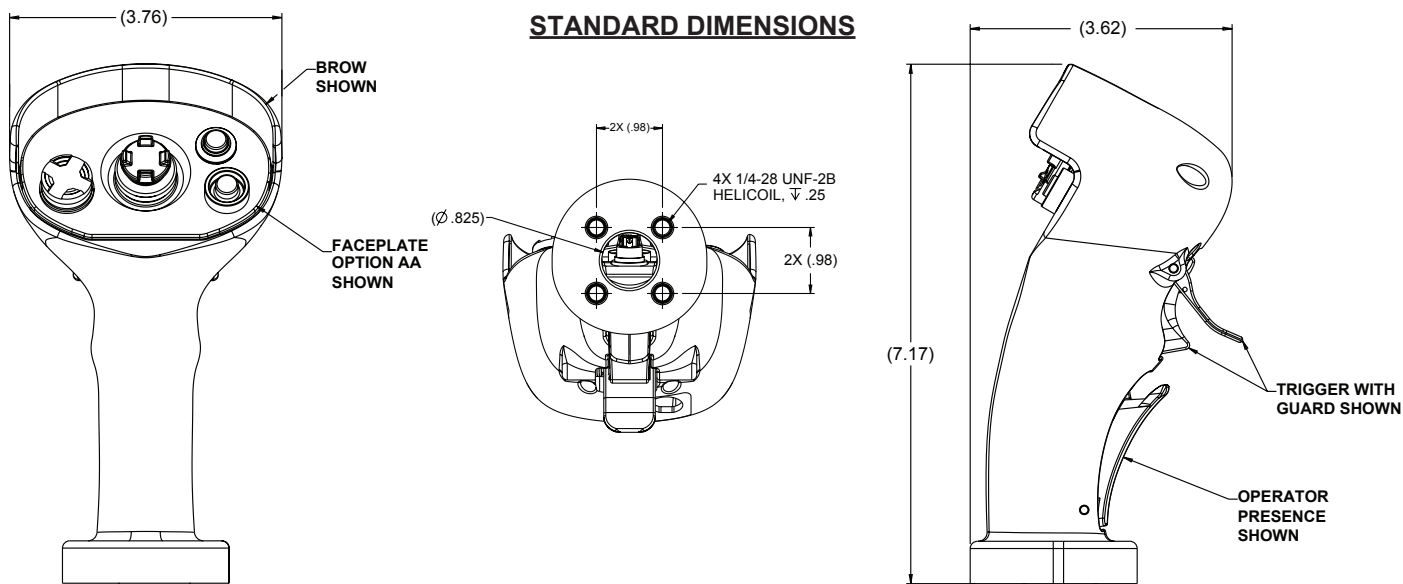
G2 COMMANDER GRIP PART NUMBER CODE

G2	-	X	X	XX	X	X	X	X	X	X	X
Trigger With Guard	Operator Presence	Faceplate Option*	Grip Head Brow	Grip Head Switches Back	Grip Head Switches Top	Grip Head Switches Side*	Handle Switches	Cable Output	Paint		
1. None 2. Yes	1. None 2. Yes	AA AB AC AD AE AF AG AH AJ	1. None 2. Yes	1. None 2. One P7 Back Left 3. One P7 Back Right 4. Two P7's - Back Left & Right	1. None 2. One P7 Top Left 3. One P7 Top Right 4. Two P7's - Top Left & Right	1. None 2. One P7 Side Left 3. One P7 Side Right 4. Two P7's - Side Left & Right	1. None 2. One P7 Side Left 3. One P7 Side Right	1. Flying Leads 3' 2. USB**	1. Polyurethane Per MIL-DTL-53039, Color Black #37038 Per FED-STD-595 2. Powder Coat, Color Black #37038 Per FED-STD-595		

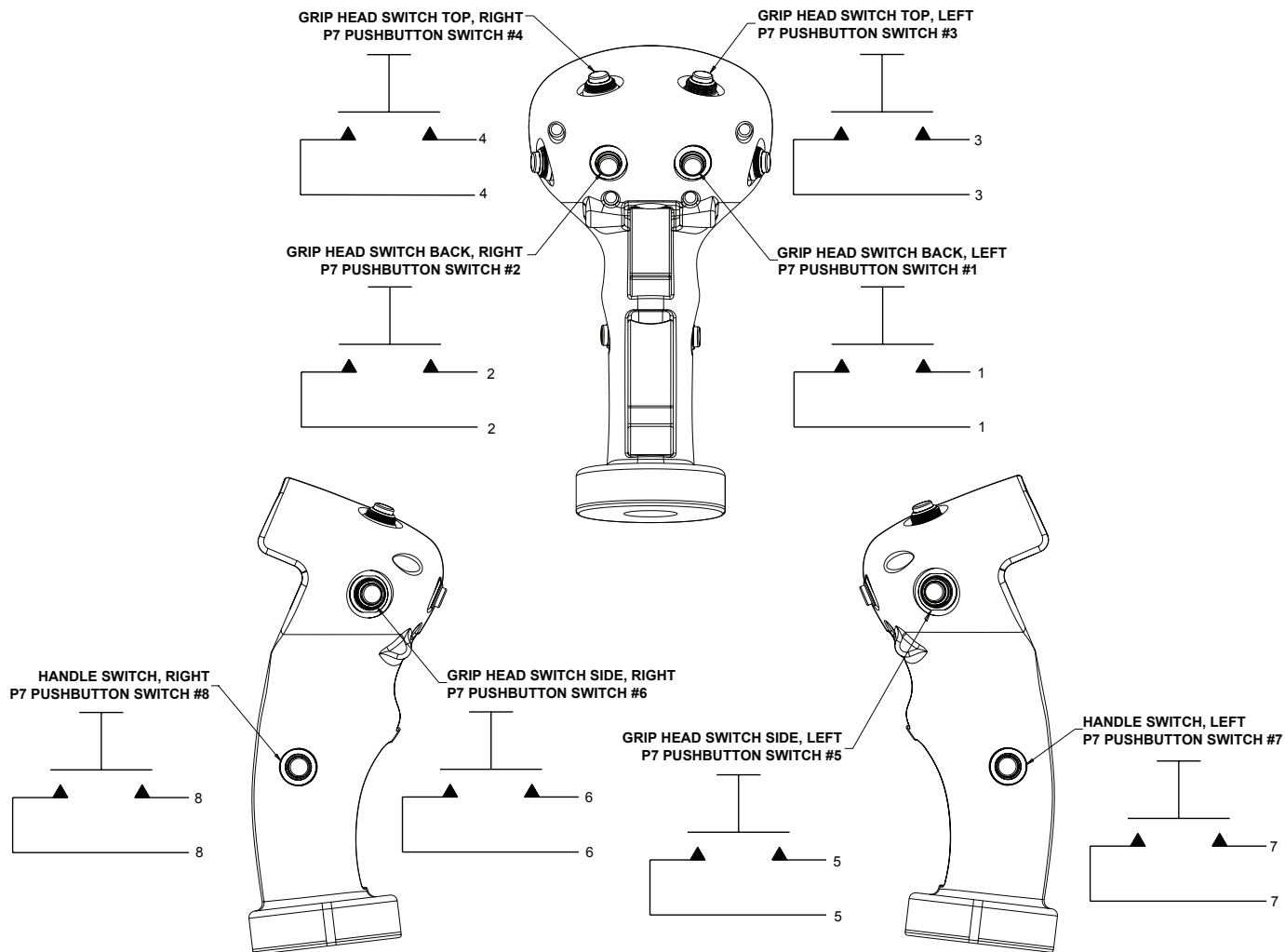
* See Faceplate Configurations on Page 27-28.
Faceplate options AB, AD and AH not available with grip head switches side, option 2 & 4.
Faceplate options AE and AF not available with grip head switches side, option 3 & 4.
**Faceplate options AC and AF not available with USB Cable Output option.

RUGGED DESIGN

STANDARD DIMENSIONS

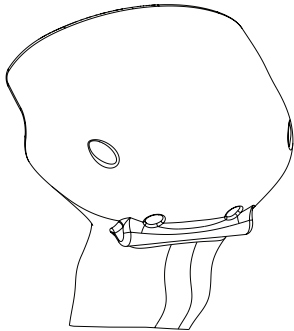


GRIP HEAD AND HANDLE SWITCH OPTIONS

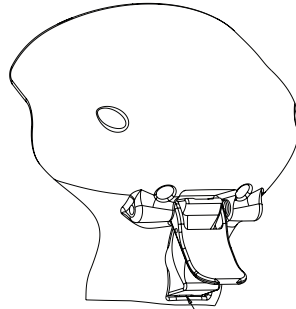


TRIGGER, BROW AND OPERATOR PRESENCE OPTIONS

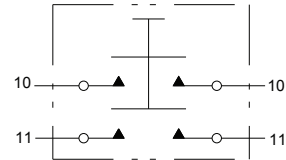
TRIGGER OPTIONS



NO TRIGGER

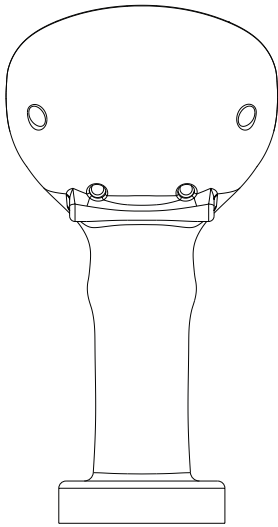


P4 PUSHBUTTON SWITCH

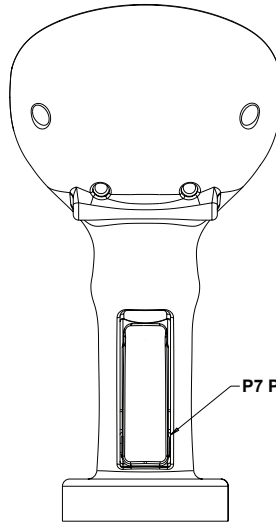


TRIGGER WITH GUARD

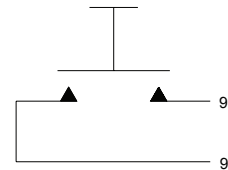
OPERATOR PRESENCE OPTIONS



NO OPERATOR PRESENCE

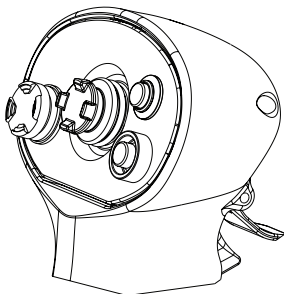


P7 PUSHBUTTON SWITCH #9

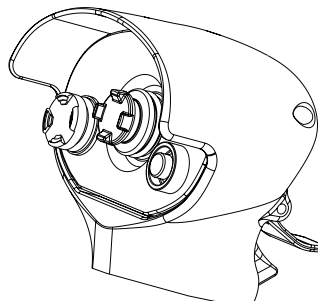


OPERATOR PRESENCE

BROW OPTIONS



NO BROW

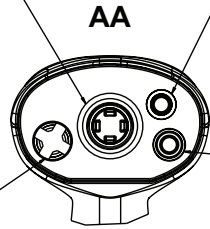
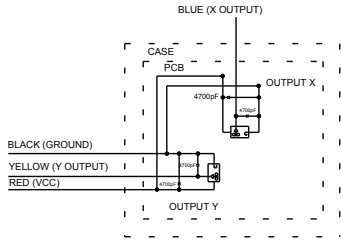


WITH BROW

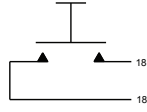
STANDARD CONFIGURABLE FACEPLATE OPTIONS

FACEPLATE OPTIONS

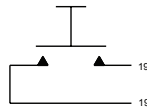
HTL4 HALL EFFECT SWITCH



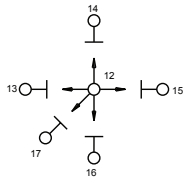
P7 PUSHBUTTON SWITCH



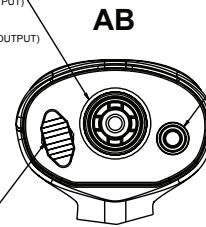
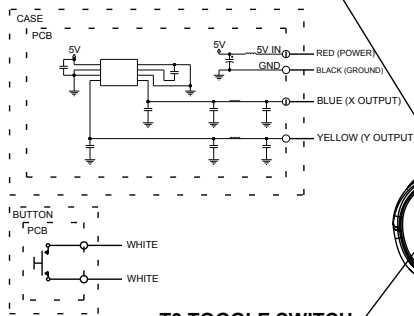
P7 PUSHBUTTON SWITCH



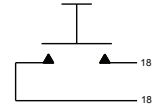
T5 TOGGLE SWITCH



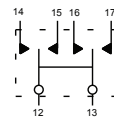
HTL4 HALL EFFECT SWITCH



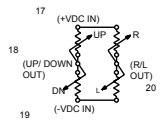
P7 PUSHBUTTON SWITCH



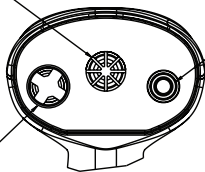
T3 TOGGLE SWITCH



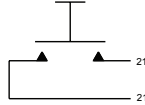
J2 TRANSDUCER SWITCH



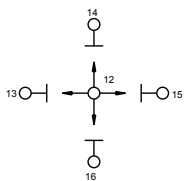
AC



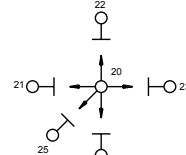
P7 PUSHBUTTON SWITCH



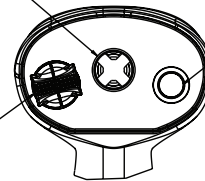
T4 TOGGLE SWITCH



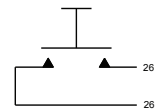
T5 TOGGLE SWITCH



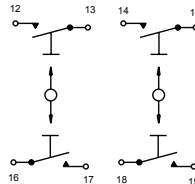
AD



P7 PUSHBUTTON SWITCH

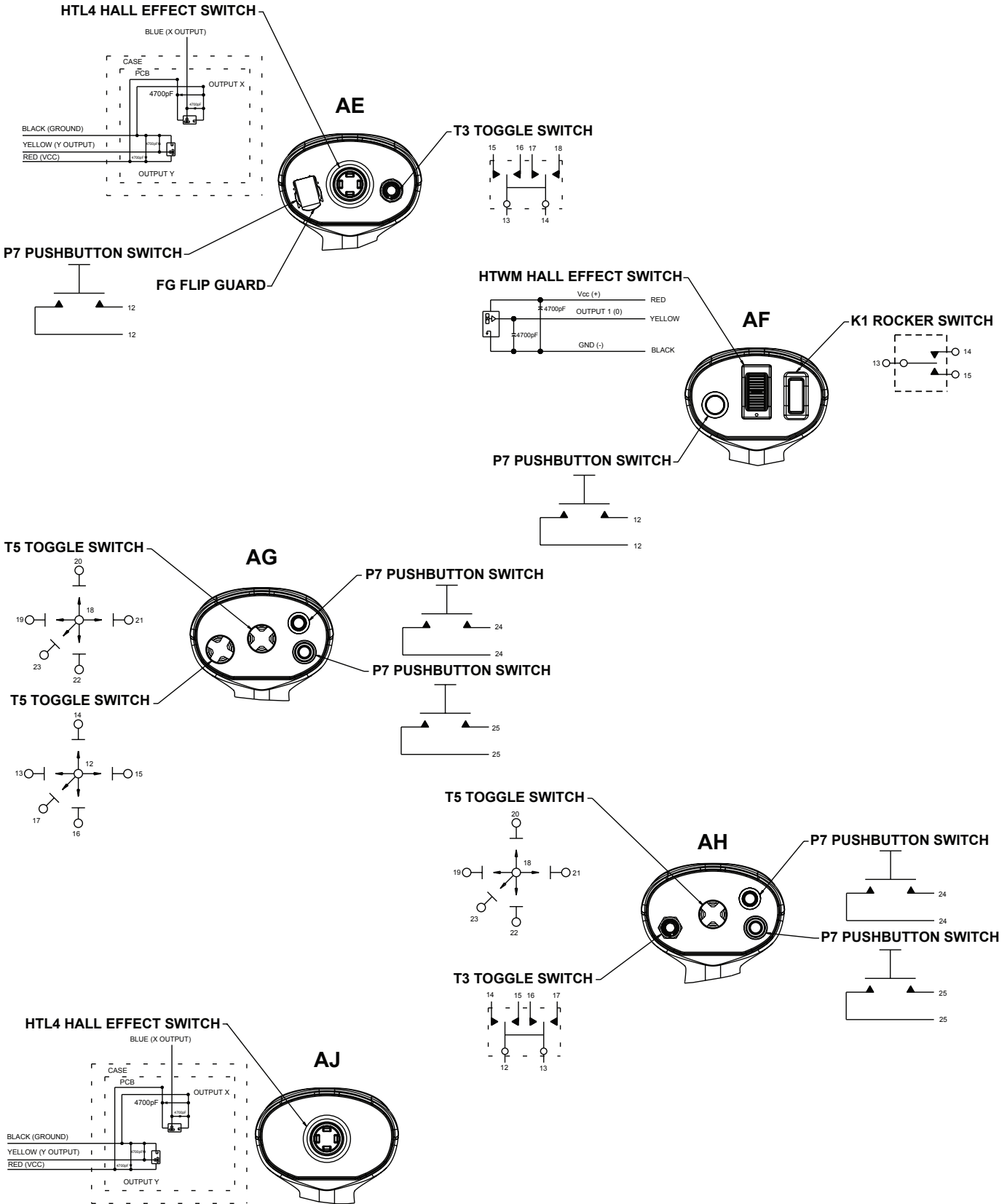


SPT SPLIT TRIM SWITCH



STANDARD CONFIGURABLE FACEPLATE OPTIONS

FACEPLATE OPTIONS



HEAVY EQUIPMENT & MATERIAL HANDLING GRIPS

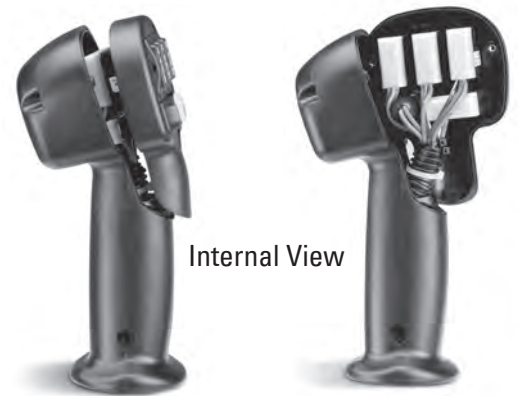
The G3 Universal Grips can be customized for top-of-the-line machines requiring high switch content, or to provide only basic control functions on lower tier units. The OTTO G3 Universal Grips have a modular design and were developed for use with OTTO's standard pushbuttons, rockers, toggles, Hall effect switches and the JH and JHM series Hall effect joystick. Both the Small Universal Grip and the Medium Universal Grip are easily customized with multiple switch configurations, quickly and without tooling charges.

- **Modular design eliminates the need for tooling charges**
- **Compatible with the OTTO JH and JHM series Hall effect Joysticks**
- **Small & medium sizes available**
- **Accommodates a full line of pushbutton, rocker, toggle, HP Hall effect & HPL proportional output series of switches**
- **Various mounting & termination options available**
- **Includes mounting adapter with boot ring**

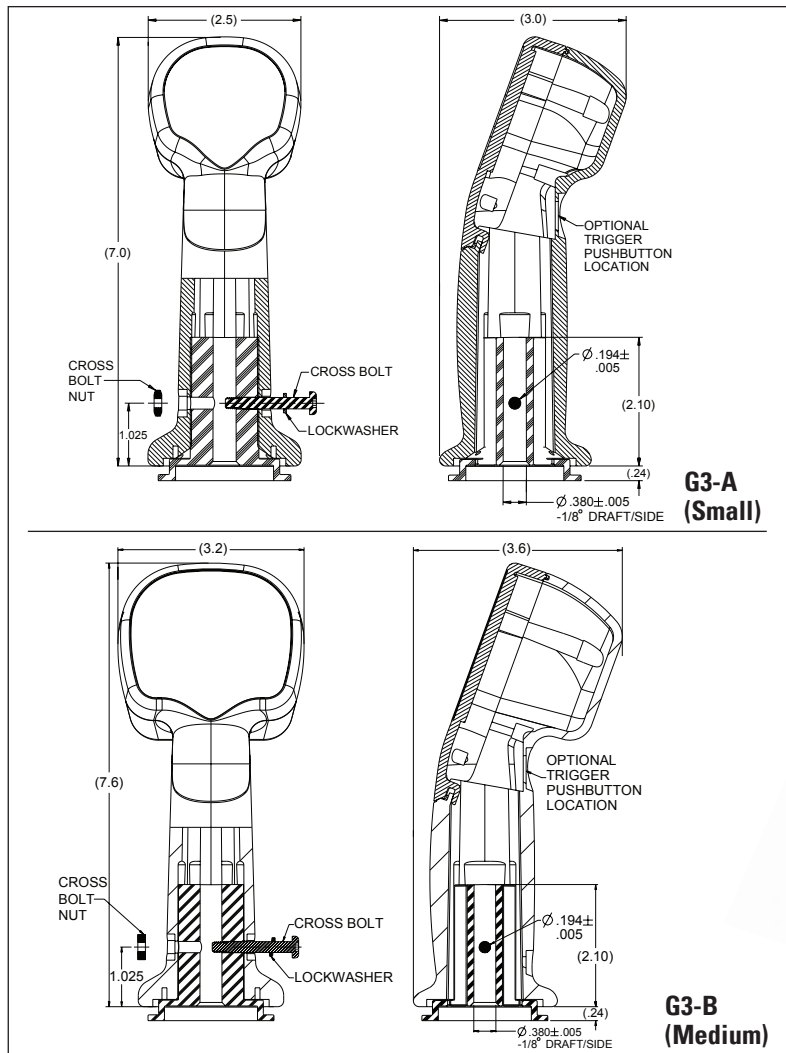


Small Universal Grip Shown Unpopulated and with Pushbutton and Rocker Switches

Medium Universal Grip Shown with Pushbutton and Rocker Switches



Internal View



G3-A (Small)

G3-B (Medium)



Custom Mounting Adapters Available

Custom Terminations Available

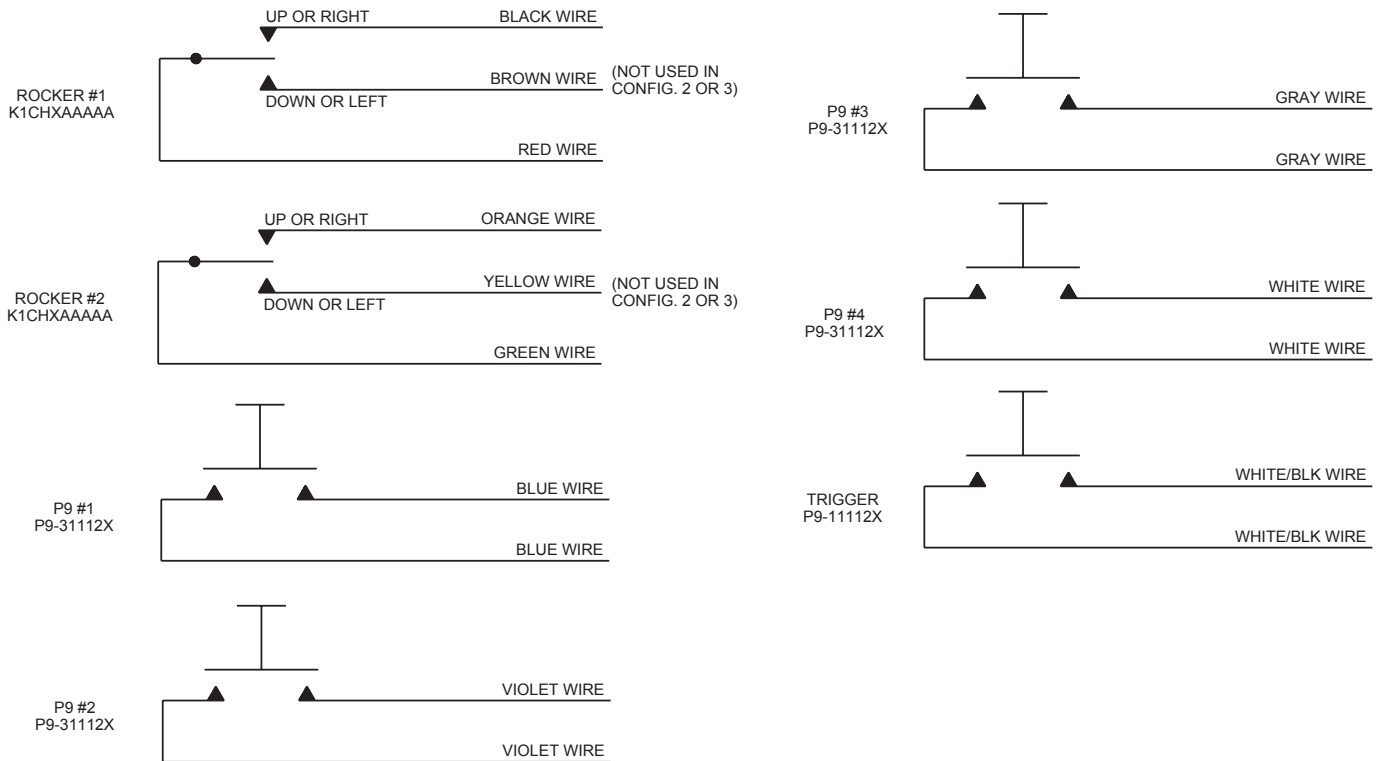
HEAVY EQUIPMENT & MATERIAL HANDLING GRIPS

SMALL UNIVERSAL GRIPS

G3-A PART NUMBER CODE									
G3-A	X	XX	X	X	X	X	X	X	X
Configuration	Switches	Trigger Pushbutton in Handle	K1 Rocker #1 Style - Black *	K1 Rocker #2 Style - Black *	P9 Button #1 Color	P9 Button #2 Color	P9 Button #3 Color	P9 Button #4 Color	P9 Button #4 Color
1. Grip Only	See Configuration Sheet on page 31	1. None 2. Black 3. Red	1. None 2. On-Off 3. (On)-Off 4. On-Off-On 5. (On)-Off-(On)	1. None 2. On-Off 3. (On)-Off 4. On-Off-On 5. (On)-Off-(On)	N. None 1. Red 2. Black 3. Orange 4. Yellow 5. Green 6. Blue 7. Violet 8. Gray 9. White	N. None 1. Red 2. Black 3. Orange 4. Yellow 5. Green 6. Blue 7. Violet 8. Gray 9. White	N. None 1. Red 2. Black 3. Orange 4. Yellow 5. Green 6. Blue 7. Violet 8. Gray 9. White	N. None 1. Red 2. Black 3. Orange 4. Yellow 5. Green 6. Blue 7. Violet 8. Gray 9. White	N. None 1. Red 2. Black 3. Orange 4. Yellow 5. Green 6. Blue 7. Violet 8. Gray 9. White

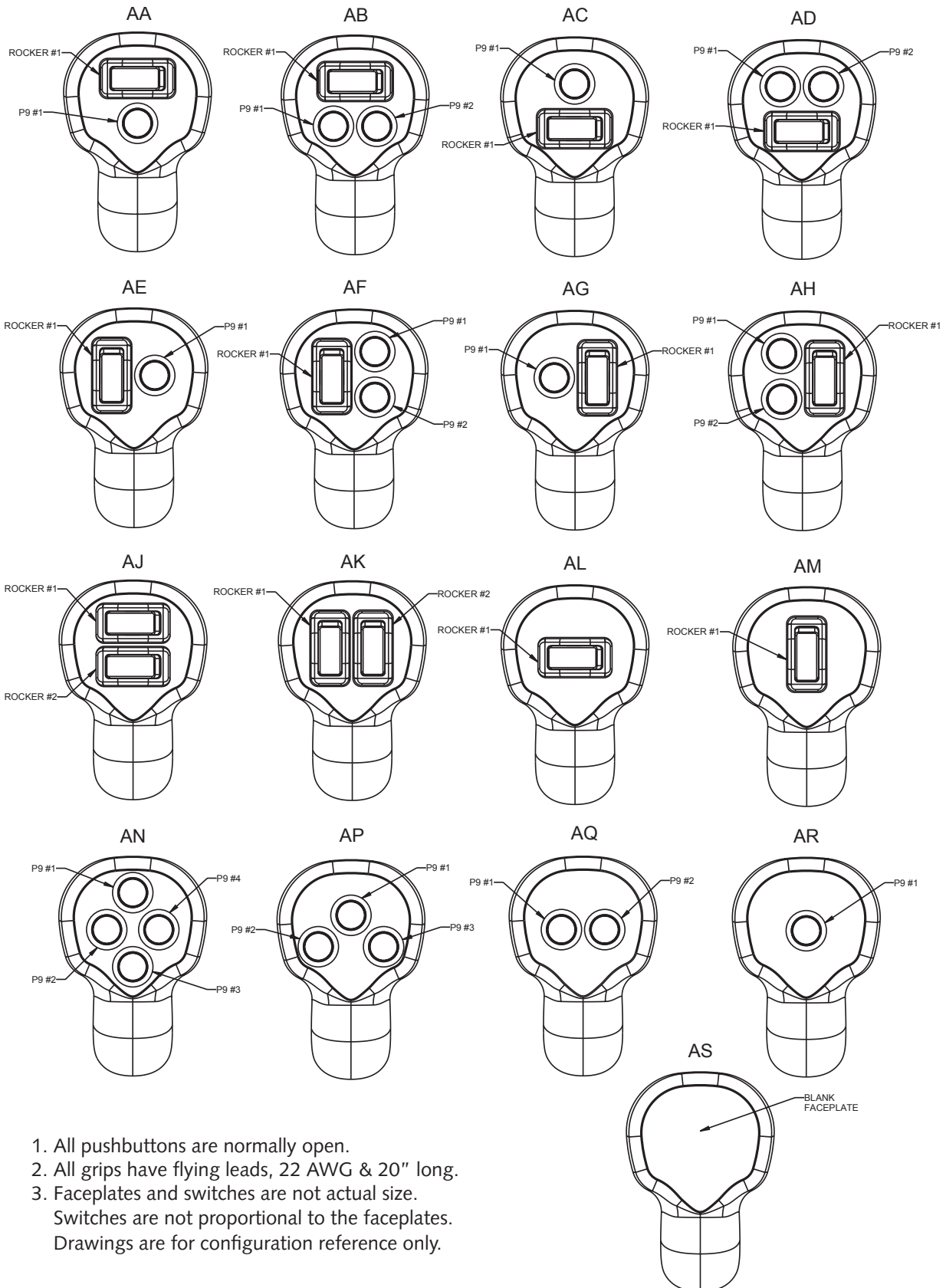
* () denotes momentary. On position or momentary position is up or to the right. Contact factory for rocker legends and additional color options.

G3-A SMALL UNIVERSAL GRIPS SCHEMATICS



HEAVY EQUIPMENT AND MATERIAL HANDLING GRIPS

SMALL UNIVERSAL GRIPS SWITCH CONFIGURATIONS



1. All pushbuttons are normally open.
2. All grips have flying leads, 22 AWG & 20" long.
3. Faceplates and switches are not actual size.
Switches are not proportional to the faceplates.
Drawings are for configuration reference only.

MEDIUM UNIVERSAL GRIPS

G3-B PART NUMBER CODE								Part Number Code Continued Below
G3-B	X	XX	X	X	X	X	X	
Configuration	Switches	Trigger Pushbutton in Handle	K1 Rocker #1 Style - Black *	K1 Rocker #2 Style - Black *	K1 Rocker #3 Style - Black *	K1 Rocker #4 Style - Black *		
1. Grip Only	See Configuration Sheet on page 33	1. None 2. Black 3. Red	1. None 2. On-Off 3. (On)-Off 4. On-Off-On 5. (On)-Off-(On)	1. None 2. On-Off 3. (On)-Off 4. On-Off-On 5. (On)-Off-(On)	1. None 2. On-Off 3. (On)-Off 4. On-Off-On 5. (On)-Off-(On)	1. None 2. On-Off 3. (On)-Off 4. On-Off-On 5. (On)-Off-(On)	1. None 2. On-Off 3. (On)-Off 4. On-Off-On 5. (On)-Off-(On)	

* () denotes momentary. On position or momentary position is up or to the right. Contact factory for rocker legends and additional color options.

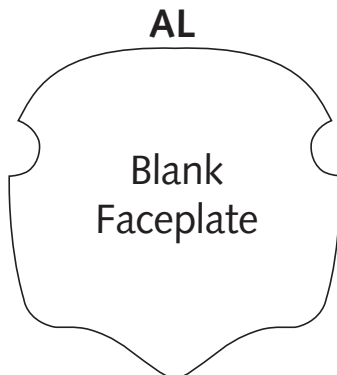
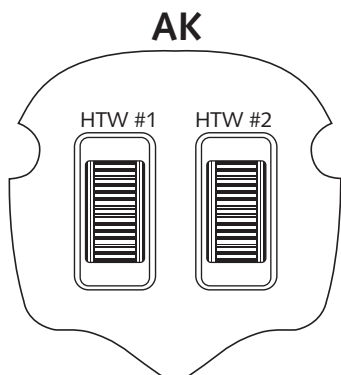
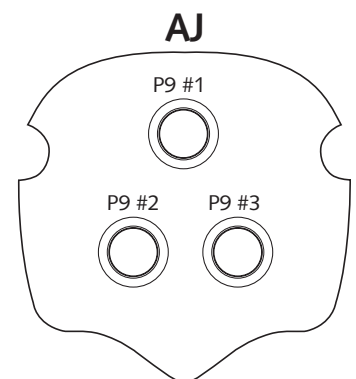
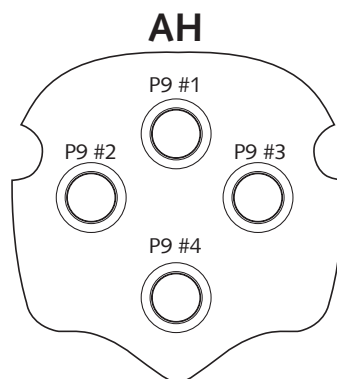
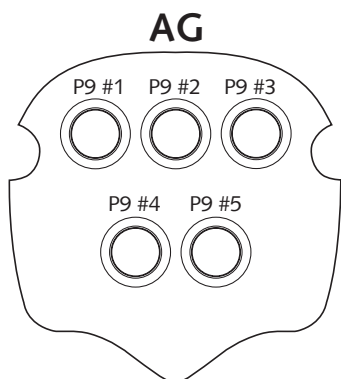
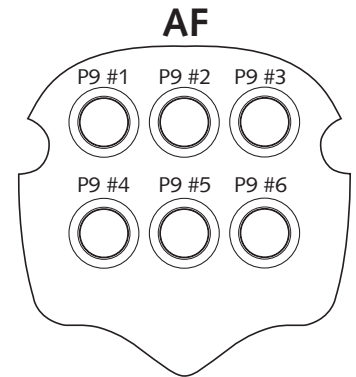
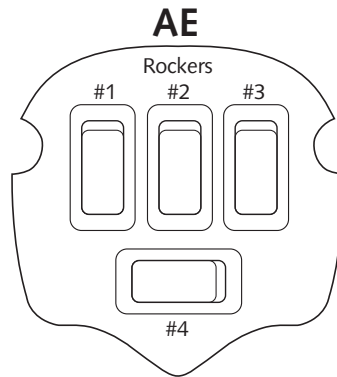
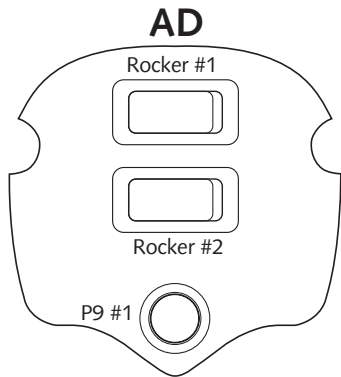
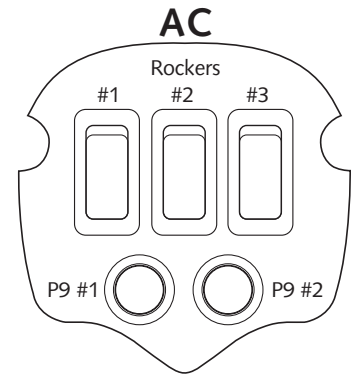
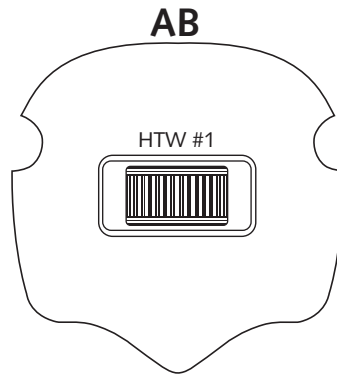
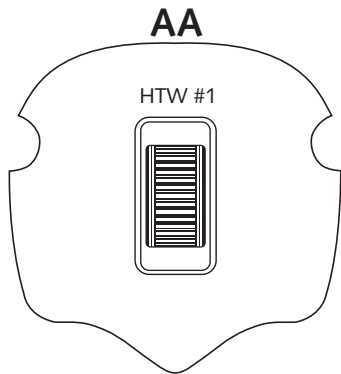
G3-B PART NUMBER CODE CONTINUED							
Cont.	X	X	X	X	X	X	X
HTW #1**	HTW #2**	P9 Button #1 Color	P9 Button #2 Color	P9 Button #3 Color	P9 Button #4 Color	P9 Button #5 Color	P9 Button #6 Color
1. None 2. Return to Center ¹ 3. Friction ² 4. Return to End ³	1. None 2. Return to Center ¹ 3. Friction ² 4. Return to End ³	N. None 1. Red 2. Black 3. Orange 4. Yellow 5. Green 6. Blue 7. Violet 8. Gray 9. White	N. None 1. Red 2. Black 3. Orange 4. Yellow 5. Green 6. Blue 7. Violet 8. Gray 9. White	N. None 1. Red 2. Black 3. Orange 4. Yellow 5. Green 6. Blue 7. Violet 8. Gray 9. White	N. None 1. Red 2. Black 3. Orange 4. Yellow 5. Green 6. Blue 7. Violet 8. Gray 9. White	N. None 1. Red 2. Black 3. Orange 4. Yellow 5. Green 6. Blue 7. Violet 8. Gray 9. White	N. None 1. Red 2. Black 3. Orange 4. Yellow 5. Green 6. Blue 7. Violet 8. Gray 9. White

1 = HTW-1A12X22***
2 = HTWF-1A12X22***
3 = HTWE-1A12X22***

** Positive travel is up or to the right. Contact factory for additional options.
***Contact factory for additional options.

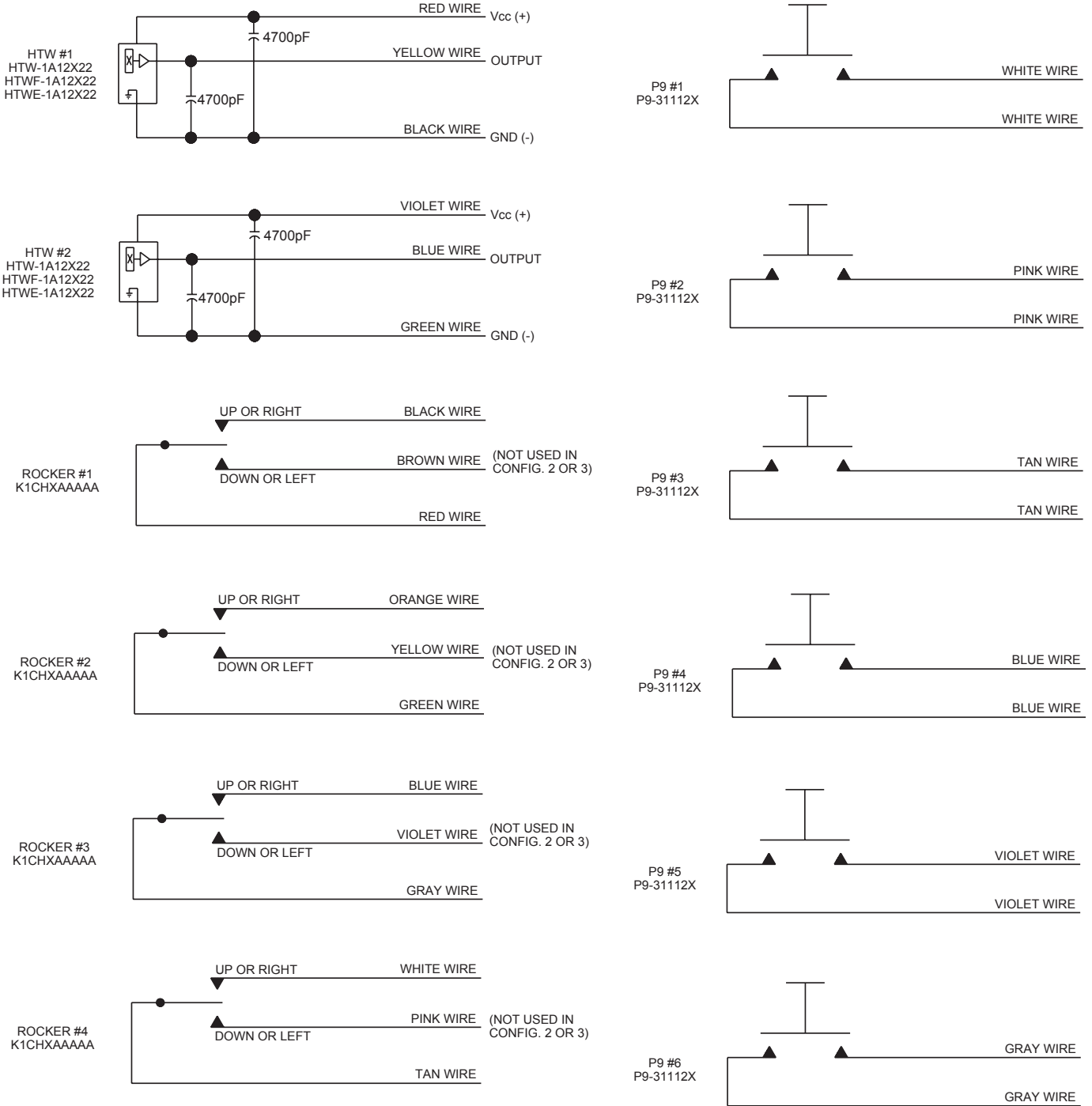
STANDARD FACEPLATES

MEDIUM UNIVERSAL GRIPS SWITCH CONFIGURATIONS



Note: Faceplates and switches are not actual size. Switches are not proportional to the faceplates. Drawings are for configuration reference only.

MEDIUM UNIVERSAL GRIPS SCHEMATICS



TWO-HANDED GAME STYLE GRIP, ERGONOMIC DESIGN

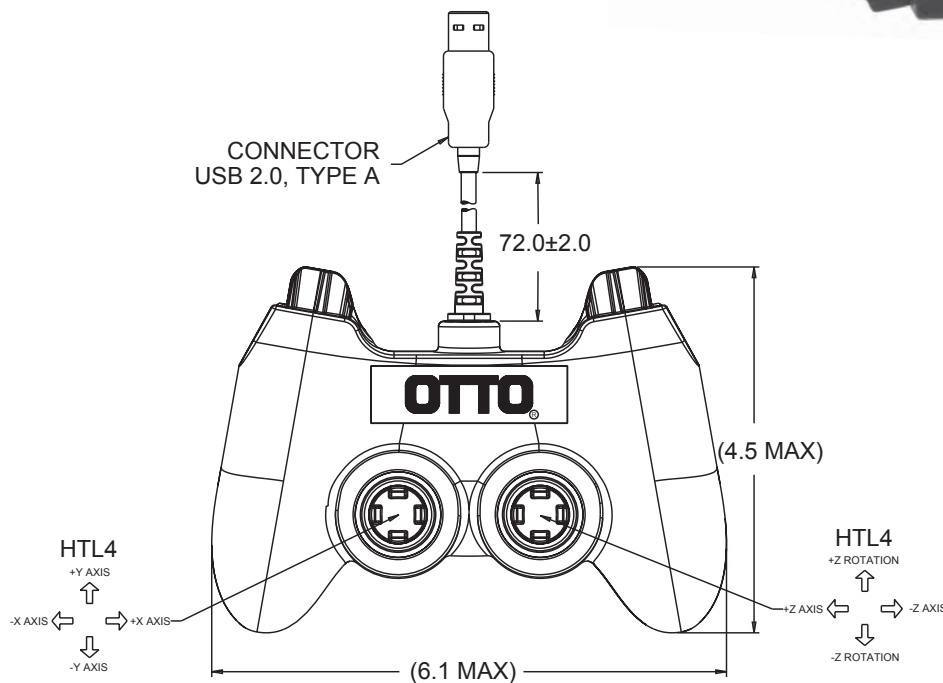
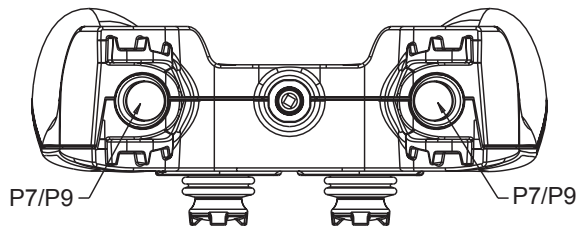
The G3 Dual Grip remote is a durable, lightweight, two-handed game style grip. Its ergonomic design allows for comfortable extended use and its molded body eliminates the need for tooling charges. The G3 dual grip remote accommodates OTTO's standard HTL and P7 series switches, with your choice of button styles and colors. Ideal for controlling unmanned vehicles, unattended ground sensors and other remote controlled applications.

Features:

- **Standard USB interface**
- **Readily available options include HTL series and P7/P9 switches**
- **Lightweight, ergonomic design for comfortable use**
- **Excellent proportional control**
- **Switches sealed to IP68S**
- **Switches have excellent EMI/RFI immunity**
- **RoHS/WEEE/ Reach compliant**



Standard Configuration Shown (G3-0360)



GRIPS

HEAVY EQUIPMENT & MATERIAL HANDLING GRIPS

OTTO serves agriculture, off-highway, material handling and specialized industrial equipment markets. If your application cannot be met with one of our standard grips, OTTO can help design and build a truly custom made solution, utilizing state-of-the-art 3D solid modeling work stations. Our grips can be manufactured with an almost unlimited variety of switches, custom termination and custom mounting options. OTTO is a vertically integrated facility offering SLS and SLA compatible outputs for in-house rapid 3D prototyping using FDM (fused deposition model); in-house precision machining; progressive die stamping; injection, insert and compression molding; and cable over-molding assembly capabilities. All OTTO products are manufactured under an ISO 9001:2008 approved quality system, ensuring the greatest value and the highest performance for our customers.

Heavy Equipment & Material Handling Grips

- Rugged injection molded grip can be outfitted with a variety of OTTO switches
- Ergonomic design for extended use
- Custom designs
- Left or right hand orientation available
- Comfortable Soft Touch Grip available

Tractor Grips

- Rugged thermoplastic
- Can be outfitted with a variety of OTTO switches

Agricultural Grips

- Powder-coat, cast aluminum grip & steel mounting bracket
- Can be outfitted with a variety of OTTO switches



The ergonomically designed Contour Grip reduces muscle strain allowing for extended use with minimal fatigue and is available in both left-handed and right-handed versions.



Tractor Grips

G3 Soft Touch Grips



Palm Grips



Hall Effect Switches



3-POSITION ANALOG OUTPUT SNAP-IN ROCKER WITH BACKLIGHTING



The HFNR is compact, robust and reliable, ideal for grip or panel mount applications. This 3-position switch provides operator comfort by reducing the movement required to change direction or switch gears. Backlighting provides enhanced visibility; making them easy to see in poor lighting or nighttime operation. The electronics are sealed to IP68S, the switch has excellent EMI/RFI immunity, and a mechanical life of three million cycles.

Features:

- **3 million cycle life, full forward to full backward**
- **Hall effect contactless sensing technology**
- **Choice of bezel and button colors**
- **2V to 24V LED backlighting options**
- **Electronics sealed to IP68S**
- **Outstanding EMI/RFI immunity**
- **Snap-in panel mounting—accepts multiple panel thicknesses**
- **RoHS/WEEE/Reach compliant**

Standard Characteristics/Ratings:

MECHANICAL:

Mechanical Life: 3,000,000 full forward to full back

Angle of Throw Between Adjacent Positions: 10 degrees typical

Max Allowable Radial Load: 30.0 lbs.

ELECTRICAL RATINGS:

Electrical	Units	Min	Typ	Max
Supply Voltage	VDC	4.5	5	5.5
Output Voltage, Tolerance at Center	VDC @ 5V Vcc	-0.35	N/A	+0.35
Output Voltage, Tolerance at Full Travel	VDC @ 5V Vcc	-0.35	N/A	+0.35
Supply Current Per Sensor	mA	N/A	N/A	10

ELECTRONICS:

Seal: Electronics sealed to IP68S

ENVIRONMENTAL:

Operating Temp Range: -40°C to +85°C

Humidity: 96% RH, 70°C, 96 hours

Vibration: Per MIL-810F minimum integrity

EMI: Withstand per SAE J1113 (contact factory for details)

RFI: Withstand per SAE J1113 (contact factory for details)

MATERIALS:

Button: Thermoplastic

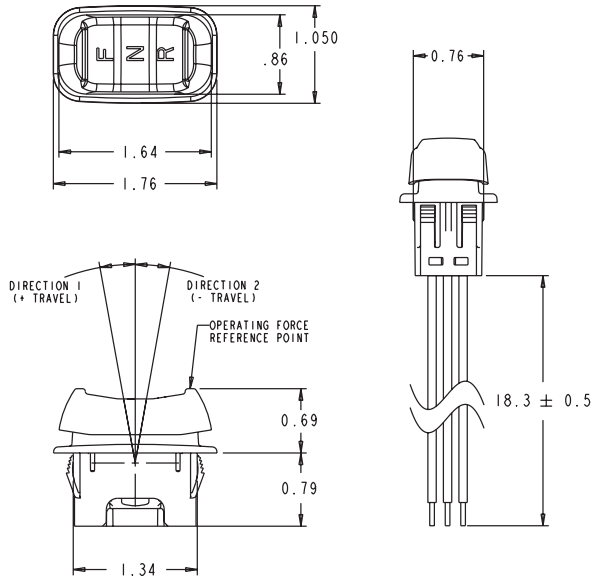
Bezel: Thermoplastic

Mounting Hardware: None provided

HALL EFFECT FORWARD/NEUTRAL/REVERSE ROCKER

HFNR
HALL EFFECT
ROCKER

3-POSITION ANALOG OUTPUT SNAP-IN ROCKER WITH BACKLIGHTING

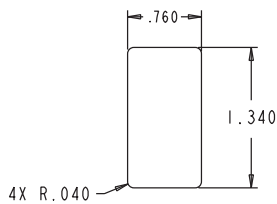


MOUNTING :

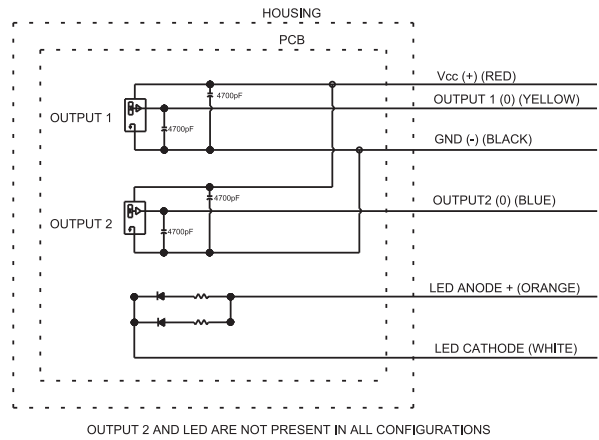
RECOMMENDED PANEL THICKNESS: 0.112 OPTIMUM THICKNESS
(0.040 MIN. - 0.205 MAX.)

RECOMMENDED PANEL OPENING: 0.760 X 1.340 OPTIMUM
(0.760/0.770 X 1.335/1.345)

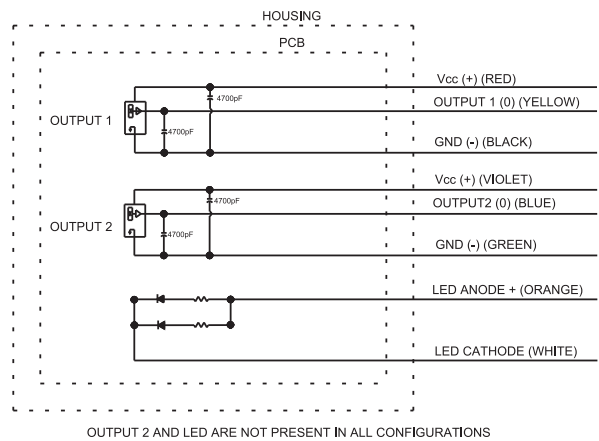
RECOMMENDED PANEL RADIUS: 0.040 OPTIMUM
(0.070 MAX.)



WIRING OPTION 1 COMMON POWER AND GROUND



WIRING OPTION 2 SEPARATE POWER AND GROUND



HFNR PART NUMBER CODE

Light Source ①	Output 1 ②	Output 2	Wiring Option	Operating Force Direction 1 & 2 to Center/ Center to Direction 1 & 2	Button Style	Termination	Bezel Color ③	Button Color ③	FNR Legend
A. NONE	A. 4.5/2.5/0.5VDC	NONE ④	1. Common Power and Ground ④	1. 2.6/3.6 lbs.	1. Rocker	A. 20 AWG Wires 18.3" Long, Stripped and Tinned Ends	1. Red 2. Black 4. Yellow 6. Blue 8. Gray	1. Red 2. Black ① 3. Orange 4. Yellow 5. Green 6. Blue 7. Violet 8. Gray 9. White	A. NONE B. FNR/White ①
B. 2V Green LED	B. 4.5/2.5/0.5VDC	4.5/2.5/0.5VDC	2. Separate Power and Ground						
C. 2V Amber LED	C. 4.5/2.5/0.5VDC	0.5/2.5/4.5VDC							
D. 5V Green LED	D. 4.0/2.5/1.0VDC	NONE ④							
E. 5V Amber LED	E. 4.0/2.5/1.0VDC	4.0/2.5/1.0VDC							
F. 12V Green LED	F. 4.0/2.5/1.0VDC	1.0/2.5/4.0VDC							
G. 12V Amber LED	G. 1.0/2.5/4.0VDC	4.0/2.5/1.0VDC							
H. 24V Green LED	H. 1.0/1.0/4.0VDC	4.0/1.0/1.0VDC							
J. 24V Amber LED									

① Only button color black is available on backlit version; only legend color translucent white is available on backlit version.

② Outputs are when switch is in detented position.

③ Minimum lot charges may apply for certain color options.

④ For single output switches, wiring option 1 should be selected.

9 MILLION LIFE CYCLE

The HJFC Hall Effect Foot Pedal is built to perform under the worst possible conditions. The unique design places Hall effect sensors and electronics behind a solid plastic diaphragm that separates the top and bottom halves of the front pedal, sealing the electronics in an IP68S rated enclosure. The bottom half of the pedal utilizes the same proven contactless analog output Hall effect technology used in OTTO joysticks and is available in J1939 and CANopen[®] formats. The CAN interface provides three analog input channels, 12 digital input channels and two digital output channels. It will withstand operating temperature extremes of -40°C to +85°C, is sealed to IP68S immersion requirements and passes EMI/RFI immunity testing to 100V/M.

The HJFC Hall Effect Foot Pedal provides a life of nine million cycles. The pedal's pivot point itself is also sealed against large debris. Customer specified features such as pretravel (dead band) and overtravel, along with a minimum and maximum output, are programmable. The sensor programming is completed in automated fixtures during assembly ensuring tight output tolerances. The HJFC Hall Effect Foot Pedal offers more performance features and a higher cycle and seal rating than any other foot pedal on the market.

Features:

- Outstanding EMI/RFI immunity
- Heavy gauge, corrosion-resistant metal
- Proven contactless analog output Hall effect technology
- J1939, CANopen[®] formats available
- Life expectancy of 9 million cycles
- Hall sensors & electronics are sealed against the elements, behind a solid plastic diaphragm that separates the top & bottom halves of the foot pedal
- Electronics are sealed to IP68S
- Pedal pivot point sealed against large debris
- Programmable pretravel (dead band) & overtravel along with minimum & maximum output
- Sensor programming is completed in automated fixtures during assembly ensuring tight output tolerances
- Reverse polarity protection available
- RoHS/WEEE/Reach compliant



Bidirectional
(Dual Direction)
Foot Pedal

Standard Characteristics/Ratings:				
MECHANICAL:				
Mechanical Life:	9,000,000 cycles			
Vibration:	10g 10Hz to 2KHz swept sinusoidal			
TRAVEL ANGLE:				
Degrees:	13° nominal dual direction, 15° nominal single direction			
Operating Force (lbs.):	14.0 lbs. typical -40°C to +85°C at load reference point			
Electrical Life:	9,000,000 cycles			
ELECTRICAL RATINGS:				
Electrical	Units	Min	Typ	Max
Supply Current Per Sensor	mA	N/A	N/A	10
Output Resistance (I _o ≤ -2mA)	Ω	N/A	100	N/A
Analog Supply Voltage (Option 1)	VDC	4.5	5	5.5
Analog Supply Voltage (Option 2)	VDC	8	12	18
Analog Output Voltage Tolerance at Center (see graph for output values)	VDC @ 5V V _{cc}	-0.15	N/A	+0.15
Analog Output Voltage Tolerance at Full Travel (see graph for output values)	VDC	-0.15	N/A	+0.15
Limit Switch Supply Voltage (if applicable)	V	5	N/A	30
Limit Switch Actuation (if applicable)	Degrees	1°	2°	3°
Analog Output Pretravel	Degrees	1°	2°	3°
Analog Output Overtravel	Degrees	1°	2°	3°
<i>Note: Limit switch outputs will source limit switch supply voltage when actuated.</i>				
ELECTRONICS:				
Seal:	Electronics IP68S			
RFI:	Withstand 100V/M, 14KHz to 1GHz (excludes output options 3 & 5)			
EMI:	Withstand per MIL-STD-46 ID/SAE J1113-22			
ENVIRONMENTAL:				
Operating Temp Range:	-40°C to +85°C			
Humidity:	96% RH, 70°C, 96 hours			
Sand/Dust:	Withstand per SAE J1455			
MATERIALS:				
Foot Pedal Plate:	Zinc and high corrosion trivalent chromate			
Housing:	PPE/PA			
Cable:	22 AWG (19 strands of 34 AWG TSC) PVC/Polyurethane blend outer jacket			
Mounting Hardware:	None provided			

HALL EFFECT FOOT PEDAL

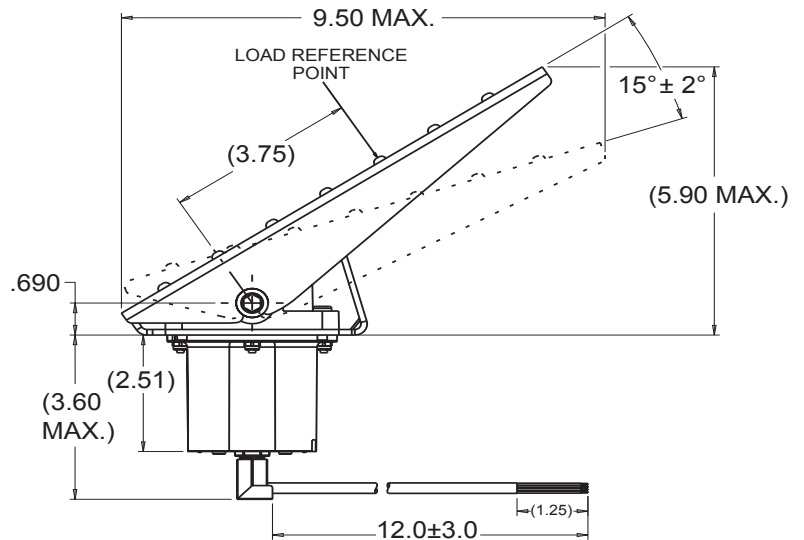
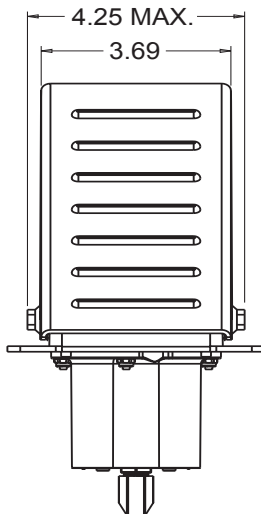
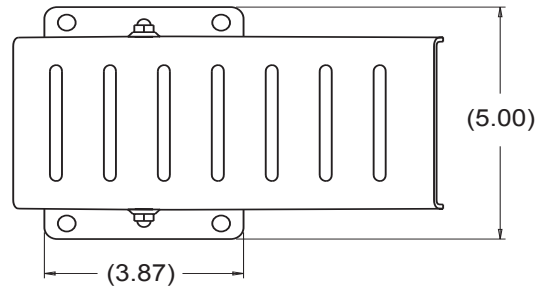
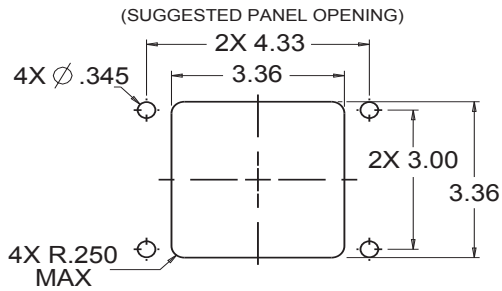
SINGLE DIRECTION & DUAL DIRECTION

HJFC PART NUMBER CODE

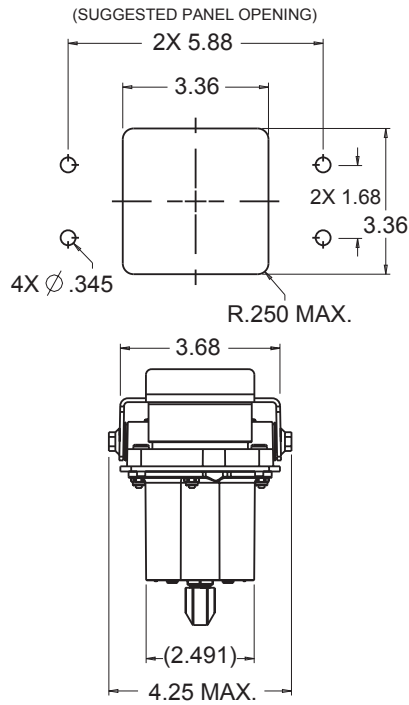
HJFC - X X X			X	X	X	X
Direction	Travel	Output*	Sealing	Power	Termination	Pedal
1. Single	1. 15 Degrees	1. Single Direction Analog Output: (Rest/Full) 0.5/4.5VDC	1. Fully Sealed	1. Regulated 5VDC Clean Supply, No Reverse Polarity Protection	1. 0.225" Dia., 12" Cable, Untermated	1. Narrow Mounting**
2. Dual	2. 13 Degrees	2. Dual Direction Analog Output: (REV/CTR/FWD) 0.5/2.5/4.5VDC	2. Unsealed	2. 12VDC Power Supply with Reverse Polarity Protection		2. Wide Mounting
	Dual Direction	3. Dual Direction Analog Output: (REV/CTR/FWD) 0.5/2.5/4.5VDC & Dual Direction Position Indication		3. 24VDC Power Supply with Reverse Polarity Protection		
		4. Dual Direction Dual Analog Output 1: (CTR/FWD) 0.5/4.5VDC Output 2: (REV/CTR) 4.5/0.5VDC				
		5. Single Direction Analog Output: (Rest/Full) 0.5/4.5VDC & Single Direction Position Indication				
		6. Single Direction Dual Analog Output 1: (Rest/Full) 0.5/4.5VDC Output 2: (Rest/Full) 4.5/0.5VDC				
		7. Dual Direction Dual Analog Output 1: (REV/CTR/FWD) 0.5/2.5/4.5VDC Output 2: (REV/CTR/FWD) 0.5/2.5/4.5VDC				
		8. Dual Direction Dual Analog Output 1: (REV/CTR/FWD) 0.5/2.5/4.5VDC Output 2: (REV/CTR/FWD) 4.5/2.5/0.5VDC				

* Additional configurations are available. Contact factory.
** Single direction not available in narrow mounting.

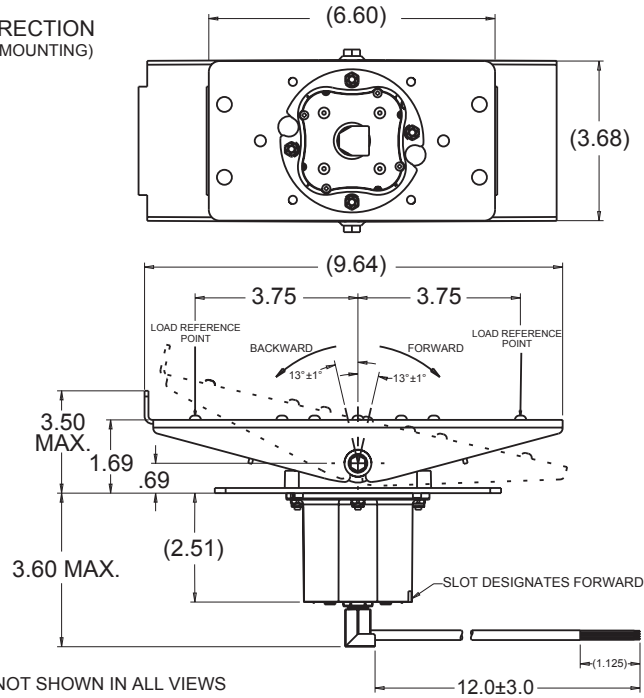
SINGLE DIRECTION WIDE MOUNTING



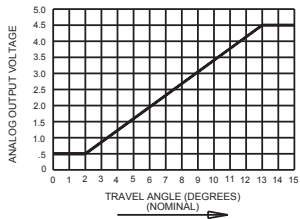
SINGLE DIRECTION & DUAL DIRECTION



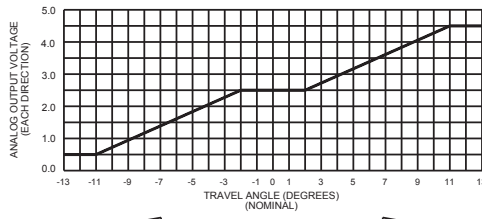
DUAL DIRECTION
(NARROW MOUNTING)



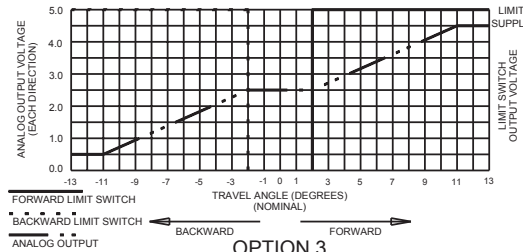
OUTPUT OPTIONS



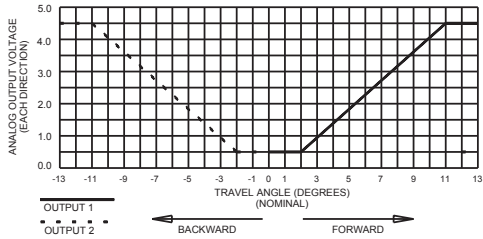
OPTION 1



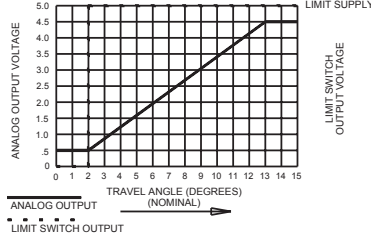
OPTION 2



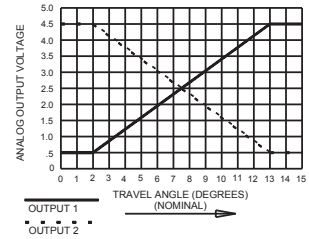
OPTION 3



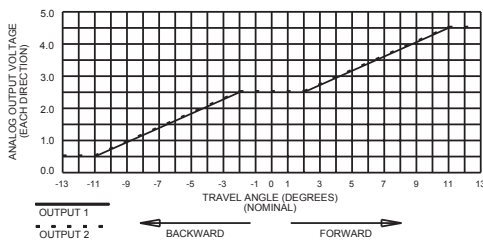
OPTION 4



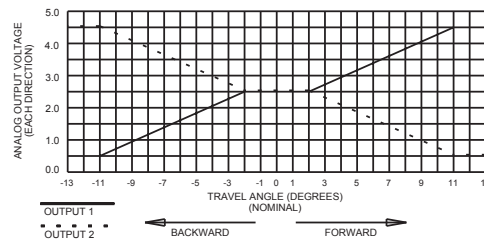
OPTION 5



OPTION 6



OPTION 7



OPTION 8

HALL EFFECT PUSHBUTTON SWITCHES

HP7
HALL EFFECT
PUSHBUTTONS

10 MILLION CYCLES, CONTACTLESS HALL EFFECT TECHNOLOGY

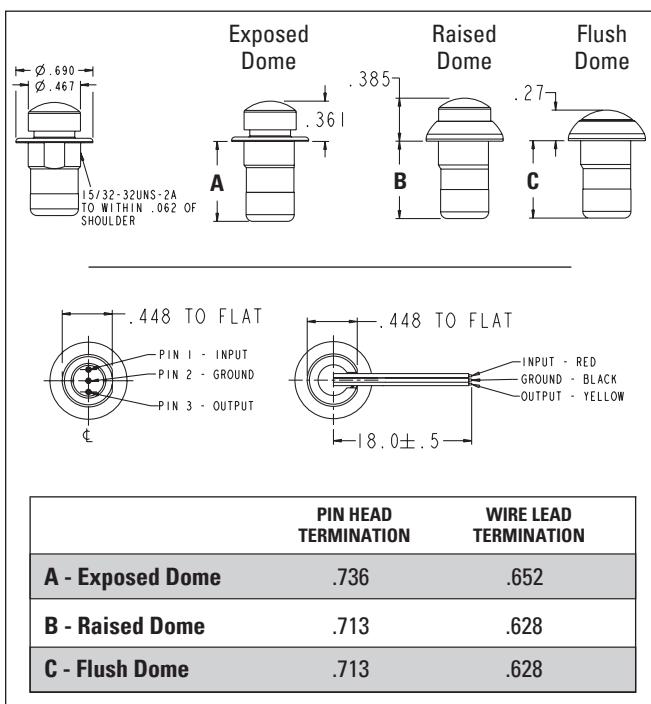
Designated the HP7 series, these momentary pushbutton switches utilize Hall effect sensor technology for long life contactless switching, with 10 million cycles. Available in dusttight and moistureproof sealed configurations, these switches can also be watertight sealed to IP68S. The stylish dome-shaped pushbuttons are available in nine colors.

Case and bezel are precision-machined aluminum alloy, available with either a black or clear coat anodized finish. Three case and button styles are offered in raised dome, flush dome and exposed dome styles. PC pins or wire leads are standard, with value-added connectors available to specification.

This rugged switch is designed to withstand harsh environments while being subjected to high rates of actuation. Applications that require repeated "jogging" and other continuous operations are prime applications for the HP7 Hall Effect Switch. Examples of such can be found in material handling equipment such as loaders, lift trucks, bucket and shovel, and other applications where positioning of the load is critical.

Features:

- 10 million cycles
- Hall effect technology for long life
- Electronics sealed to IP64 or watertight to IP68S
- Stylish dome-shaped buttons in 9 colors
- Momentary action
- Choice of termination styles
- Mechanical detent available for tactile feedback
- RoHS/WEEE/Reach compliant



Standard Characteristics/Ratings:

MECHANICAL:

Mechanical Life: 10,000,000 cycles without detent

Button Travel: 0.080 inches max

Overtravel: 0.010 inches min

Operating Force: Without detent: 16 oz +/- 8 oz
With detent: 28 oz +/- 8 oz

Operating Point: 0.040 inches +/- 0.010

Electrical Life: 10,000,000 cycles

ELECTRICAL RATINGS: Rated at Vcc = 5V @ 25°C Load = 1mA (4.7KΩ)

Electrical	Units	Min	Max
Supply Voltage	VDC	3.0	24
Reverse Output Voltage	VDC	N/A	0.5
Supply Current	mA	N/A	9
Continuous Output Current	mA	N/A	18
Reverse Battery Protection	VDC	N/A	-15

ELECTRONICS:

Seal: IP64 or IP68S

ENVIRONMENTAL:

Operating Temp Range: -40°C to +85°C

Storage Temp Range: -60°C to +105°C

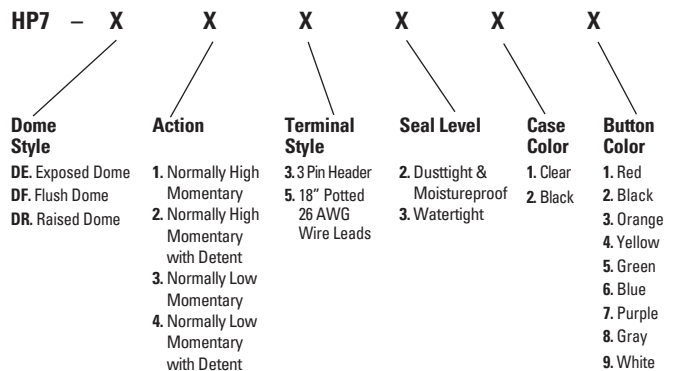
MATERIALS:

Button: Thermoplastic

Case: Aluminum alloy

Mounting Hardware: Hex nut & lockwasher

HP7 PART NUMBER CODE

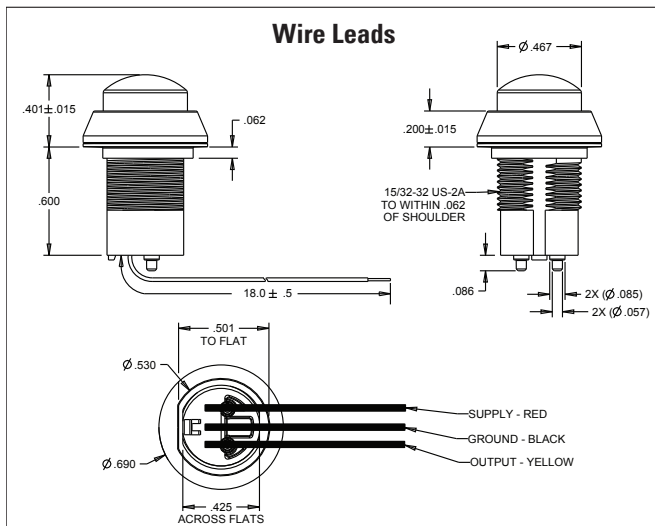
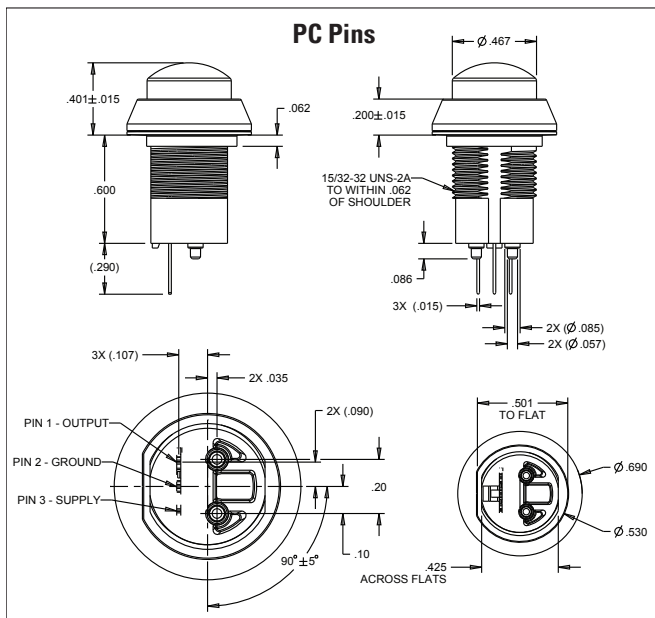


10 MILLION CYCLES, CONTACTLESS HALL EFFECT TECHNOLOGY

The HP7C Hall effect momentary action pushbutton series shares similar characteristics to the HP7 series but is a lower cost version made with a thermoplastic case and a nylon button. With a 10 million cycle life, the HP7C works well in industrial joystick controls, remote controls and other applications requiring high reliability and high rates of actuation. PC pins or wire leads are standard with value-added connectors available to specification.

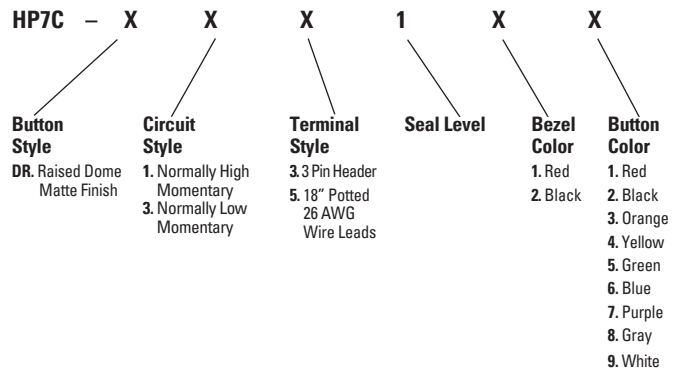
Features:

- 10 million cycles
- Hall effect technology for long life
- Stylish dome-shaped buttons in 9 colors
- Momentary action
- PC pin or wire lead termination styles
- RoHS/WEEE/Reach compliant



Standard Characteristics/Ratings:			
MECHANICAL:			
Mechanical Life:	10,000,000 cycles		
Button Travel:	0.080 inches max		
Overtravel:	0.010 inches min		
Operating Force:	12 oz +/- 4 oz		
Operating Point:	0.040 inches +/- 0.012		
Electrical Life:	10,000,000 cycles		
ELECTRICAL RATINGS: Rated at Vcc = 5V @ 25°C Load = 1mA (4.7KΩ)			
Electrical	Units	Min	Max
Supply Voltage	VDC	4.5	24.0
Reverse Output Voltage	VDC	N/A	0.5
Supply Current (B=0, Vcc=5V, I _o =0)	mA	2.3	4.2
Continuous Output Current	mA	N/A	20.0
Reverse Battery Protection	VDC		-15.0
ENVIRONMENTAL:			
Operating Temp Range:	-40°C to +85°C		
Storage Temp Range:	-40°C to +105°C		
Electronic Enclosure Design:	IP68S		
MATERIALS:			
Button:	Nylon		
Case & Bezel:	Thermoplastic		
Mounting Hardware:	Hex nut & lockwasher		

HP7C PART NUMBER CODE



HALL EFFECT LINEAR OUTPUT PUSHBUTTONS

HPL
LINEAR OUTPUT
PUSHBUTTONS

10 MILLION LINEAR OUTPUT CYCLES USING CONTACTLESS HALL EFFECT TECHNOLOGY

The HPL Hall Effect Linear Output Pushbutton Switch utilizes Hall effect technology to provide the user an output proportional to the travel of the button. The HPL delivers up to 10 million cycles. This rugged switch is ideal for applications where a simple on/off control is insufficient and a linear output is desired. Using the HPL, an operator can control the motion of a device as well as the speed of the movement. The HPL switch is an ideal control device for valves and variable speed drives, and can be used in industrial control, heavy equipment and material handling applications.

The HPL is offered as a stand-alone switch and in a dual HPL rocker assembly. As with all OTTO switches, a wide variety of case and button styles and colors are offered, along with various termination styles and two levels of sealing. OTTO can provide custom configurations as well as provide the HPL switches installed in a control grip.

Features:

- Programmable outputs of 0.5 to 4.5 volts
- 10 million cycles
- Hall effect for reliable contactless switching
- Watertight per IP68S available
- Front or behind panel mounting
- Choice of termination styles
- Rocker version available
- RoHS/WEEE/Reach compliant



HPL-4 15/32" - 32 Thread Rear Mount Shown with Wire Leads



HPL-R Hall Effect Rocker



HPL-3 - 5/8" Front Mount with Wire Leads

HPL PART NUMBER CODE

HPL	-	X	X	X	X	X	X	X
Case Style		Output	Terminal Style	Seal Level	Case Color	Button Color	Button Style*	
1. Press Fit		1. 1.0 - 4.0VDC	1. 3 Straight Pins, 0.100" Centers	1. IP65 Splashproof	1. Clear Anodized	1. Red	1. 0.375" OD (Case Styles 1, 3, 4 & 6)	
3. Front Mount 5/8" Thread		2. 4.0 - 1.0VDC	2. 18" Potted 22 AWG Wire Leads	2. IP68S Watertight	2. Black Anodized	2. Black	2. 0.500" OD Domed (Case Styles 1, 3 & 6)	
4. Rear Mount 15/32" Thread		3. 0.5 - 4.5VDC				3. Orange		
6. Rear Mount 5/8" Thread		4. 4.5 - 0.5VDC				4. Yellow		
R. Rocker Assembly						5. Green		
						6. Blue		
						7. Purple		
						8. Gray		
						9. White		

* For availability of larger button diameters, contact factory.

10 MILLION LINEAR OUTPUT CYCLES USING CONTACTLESS HALL EFFECT TECHNOLOGY

Standard Characteristics/Ratings:

MECHANICAL:

Mechanical Life:	1,000,000 cycles full stroke per button, IP68S rated 10,000,000 cycles full stroke per button, IP64 rated
Button Travel:	0.135 inches min to 0.160 inches max
Full Travel Force:	0.15 inches, 3.0 lbs. typical to 3.8 lbs. max @ 25°C
Reset Force:	5 oz min @ 25°C
Electrical Life:	10,000,000 cycles

ELECTRICAL RATINGS: Rated at Vcc = 5V @ 25°C Load = 1mA (4.7KΩ)

Electrical	Units	1 - 4 Volts			4 - 1 Volts			0.5 - 4.5 Volts			4.5 - 0.5 Volts		
		Min	Typ	Max	Min	Typ	Max	Min	Typ	Max	Min	Typ	Max
Supply Voltage	VDC	4.5	5	5.5	4.5	5	5.5	4.5	5	5.5	4.5	5	5.5
Output Voltage (Button Up)	VDC @ 5V Vcc	0.85	1	1.15	3.85	4	4.15	0.35	0.5	0.65	4.35	4.5	4.85
Output Voltage (Button Down)	VDC @ 5V Vcc	3.85	4	4.15	0.85	1	1.15	4.35	4.5	4.65	0.35	0.5	0.65
Supply Current	mA	N/A	8	10	N/A	8	10	N/A	8	10	N/A	8	10
Continuous Output Current	mA	-1	N/A	1	-1	N/A	1	-1	N/A	1	-1	N/A	1
Output Resistance (Io ≤ -2mA)	Ω	N/A	1	10	N/A	1	10	N/A	1	10	N/A	1	10

ELECTRONICS:

Seal Integrity: IP65 or IP68S

ENVIRONMENTAL:

Operating Temp Range: -40°C to +85°C

Humidity: 96% RH, 70°C, 96 hours

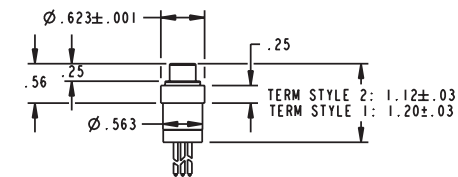
MATERIALS:

Housing: Anodized Aluminum alloy

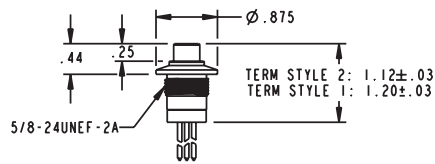
Button Cap: Thermoplastic

Mounting Hardware: Lockwasher, hex nut, washer when applicable

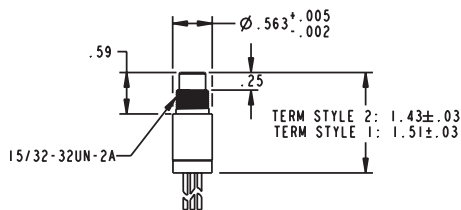
.375" O.D. Button Style



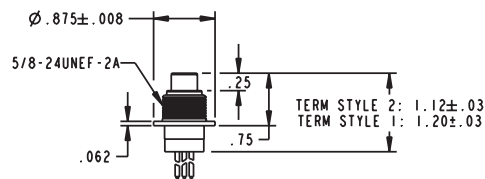
HPL - 1XXXXX I
PRESS FIT



HPL - 3XXXXX I
5/8" THREAD
FRONT MOUNT



HPL - 4XXXXX I
15/32" THREAD
REAR MOUNT



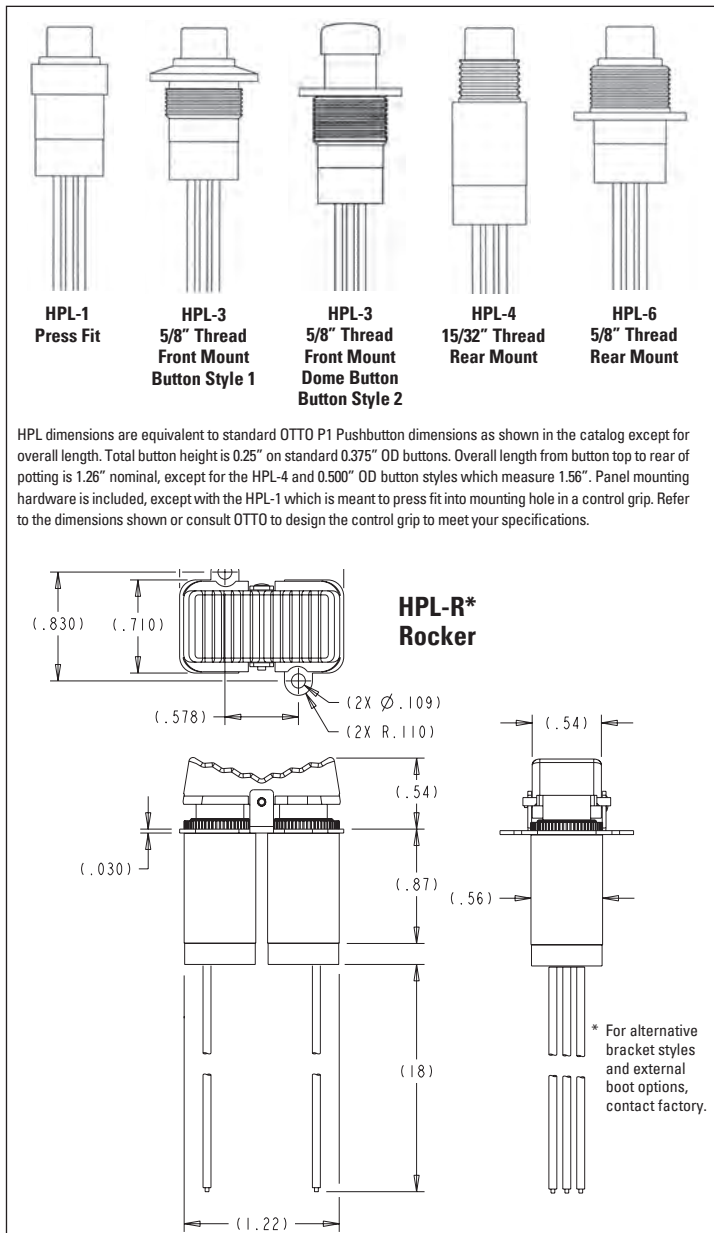
HPL - 6XXXXX I
5/8" THREAD
REAR MOUNT

HALL EFFECT LINEAR OUTPUT PUSHBUTTONS

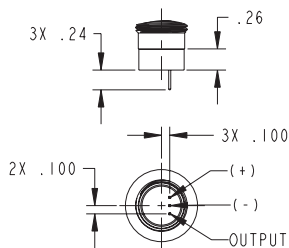
HPL
LINEAR OUTPUT
PUSHBUTTONS

10 MILLION LINEAR OUTPUT CYCLES USING CONTACTLESS HALL EFFECT TECHNOLOGY

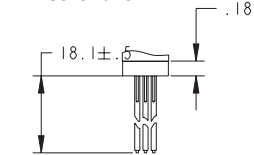
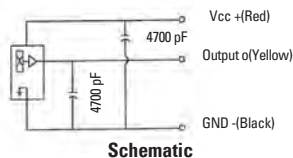
Case Styles



Terminal Styles

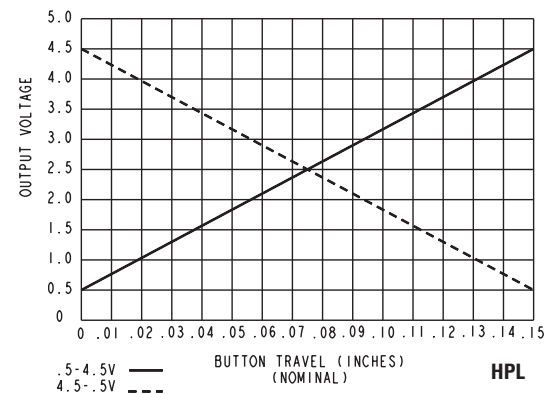
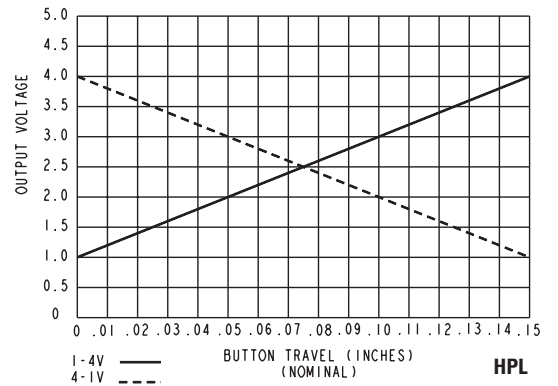
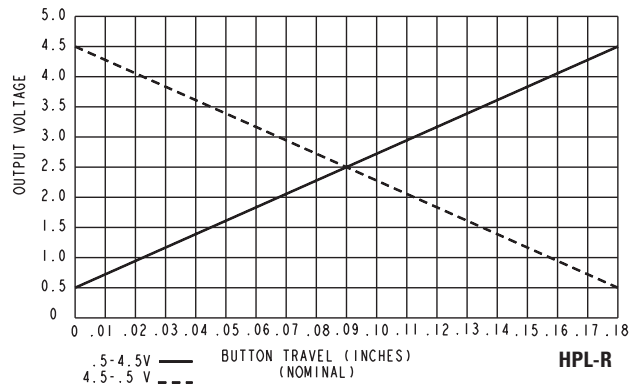
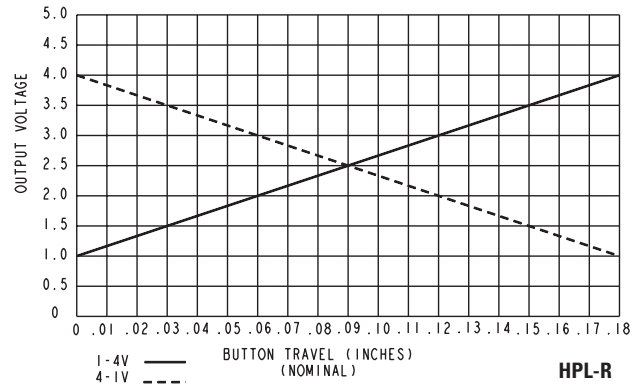


TERMINAL STYLE 1
3 STRAIGHT PINS
.100 CENTERS



TERMINAL STYLE 2
18" POTTED
22 AWG, UL 1569
WIRE LEADS

Linear Output Graphs (Vcc = 5V @ 20°C)



UP TO 5 MILLION CYCLE MECHANICAL LIFE, 14 OUTPUT OPTIONS



The HPW series, available with 14 output options, offers a self-centering single axis actuator that provides linear change in voltage output in either direction from center. Options include increasing or decreasing voltage output in either direction (from center position to the full travel position) with single or dual outputs in either direction. The HPW series without detent provides a five million cycle, full forward to full back life, and with detent (available with HPW-3) provides a two million cycle full forward to full back life. Electronics are sealed to IP68S, while offering outstanding EMI/RFI immunity.

Features:

- Designed for grip, armrest & panel mounting
- Proven contactless analog output Hall effect technology
- 14 output options available
- Self-centering, single axis actuator
- Up to 5,000,000 mechanical life
- Electronics sealed to IP68S
- RoHS/WEEE/Reach compliant
- Optional soft touch coating available

Standard Characteristics/Ratings:

MECHANICAL:

Mechanical Life with Detent:	Up to 2,000,000 cycles full forward to full back
Mechanical Life without Detent:	Up to 5,000,000 cycles full forward to full back
Travel:	Full travel angle each direction from center to 25° typical
Operating Force:	HPW-1 is 4 oz typical @ 25° HPW-2 and HPW-3 are 3 oz typical @ 25°
Max Allowable Radial Load:	30.0 lbs.

ELECTRICAL RATINGS: Vcc = 5V @ 25°C Load = 1mA (4.7KΩ)

Electrical	Units	Min	Typ	Max
Supply Voltage	VDC	4.5	5	5.5
Output Voltage Tolerance at Center (A, B, C, D, E, F, G & H)	VDC @ 5V Vcc	-0.25	N/A	+0.25
Output Voltage Tolerance at Center (J, K, L, M, N & P)	VDC @ 5V Vcc	-0.15	N/A	+0.15
Output Voltage Tolerance at Full Travel (see graph for output values)	VDC @ 5V Vcc	-0.25	N/A	+0.25
Supply Current Options A & D (B = 0, Vcc = 5V, Iout = 0)	mA	N/A	8	10
Supply Current All Other Options (B = 0, Vcc = 5V, Iout = 0)	mA	N/A	16	20

ENVIRONMENTAL:

Operating Temp Range:	-40°C to +85°C
Electronic Enclosure:	IP68S
Mechanical Enclosure:	Unsealed
RFI/EMI:	Withstand per SAE J1113

HPW PART NUMBER CODE

HPW	-	X	X	X	X	X	X	X
Button Style	Output 1*	Output 2**	Operating Force	Termination	Bezel Color	Button Color	Detent	
1. Lever Style #1 (Paddle)	A. 2.5 +/- 2.0VDC	NONE	1.4 oz (HPW-1)	A. 22 AWG 18.3" Long, Stripped Ends	1. Red	1. Red	N. None	STOP HERE for HPW-1 and HPW-2 switches.
2. Lever Style #2 (Standard Lever)	B. 2.5 +/- 2.0VDC	2.5 +/- 2.0VDC	3 oz (HPW-2)	B. 0.025" SQ. Pins, Phosphor Bronze Alloy, Tin Plated	2. Black	2. Black	A. ±18°	
3. Lever Style #3 (Ergonomic Lever)	C. 2.5 +/- 2.0VDC	2.5 +/- 2.0VDC	3 oz (HPW-3)		3. Orange	3. Orange		
	D. 2.5 +/- 1.5VDC	NONE		4. Yellow	4. Yellow			
	E. 2.5 +/- 1.5VDC	2.5 +/- 1.5VDC		5. Green	5. Green			
	F. 2.5 +/- 1.5VDC	2.5 +/- 1.5VDC		6. Blue	6. Blue			
	G. 1.0 - 4.0VDC	1.0 - 4.0VDC		7. Violet	7. Violet			
	H. 0.5 - 4.5VDC	0.5 - 4.5VDC		8. Gray	8. Gray			
	J. 2.5 +/- 2.0VDC	NONE***		9. White	9. White			
	K. 2.5 +/- 2.0VDC	2.5 +/- 2.0VDC***						
	L. 2.5 +/- 2.0VDC	2.5 +/- 2.0VDC***						
	M. 2.5 +/- 1.5VDC	NONE***						
	N. 2.5 +/- 1.5VDC	2.5 +/- 1.5VDC***						
	P. 2.5 +/- 1.5VDC	2.5 +/- 1.5VDC***						

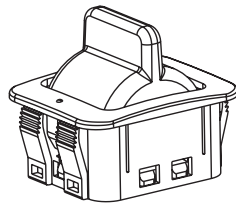
* Outputs are from the center position to the full travel position in each direction. Options A-F provide increasing voltage in Direction 1 and decreasing voltage in Direction 2 from a single output. Options G and H provide increasing voltages in both directions from two separate outputs.

** Options B and E provide redundant output 2 which duplicates output 1. Options C and F provide redundant output 2 which is inverse of output 1.

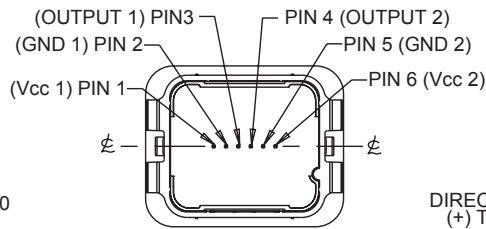
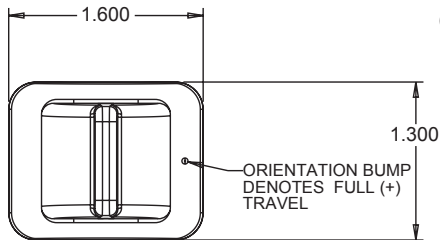
*** Options J, K, L, M, N and P are identical to Options A, B, C, D, E and F respectively, except with a tighter center tolerance.

HALL EFFECT SINGLE AXIS PADDLE

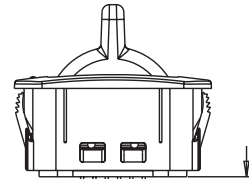
UP TO 5 MILLION CYCLE MECHANICAL LIFE, 14 OUTPUT OPTIONS



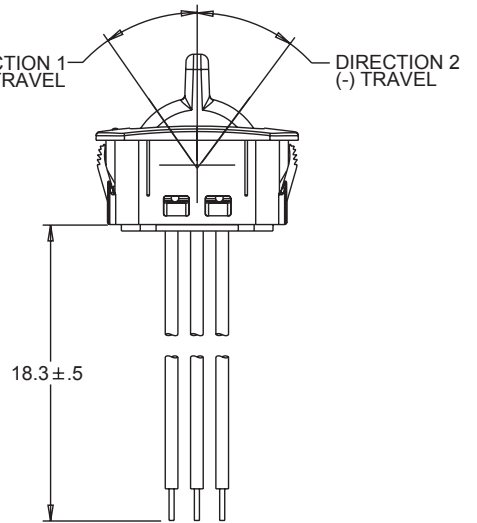
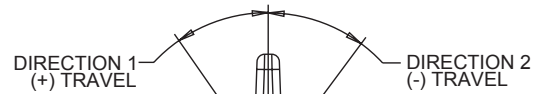
**LEVER STYLE #1
(Paddle)**



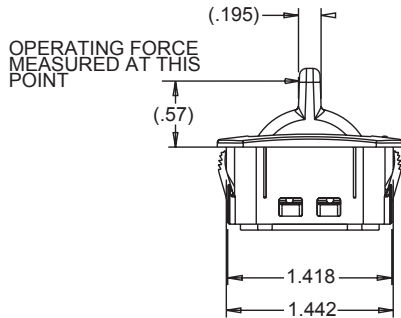
PINNED TERMINATION
NOT ALL PINS ARE PRESENT
IN ALL OUTPUT CONFIGURATIONS



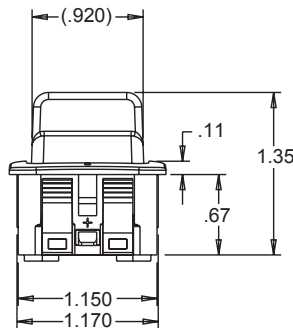
(.100) TYP. →
← (.20) TYP.
.025 ± .002 SQUARE



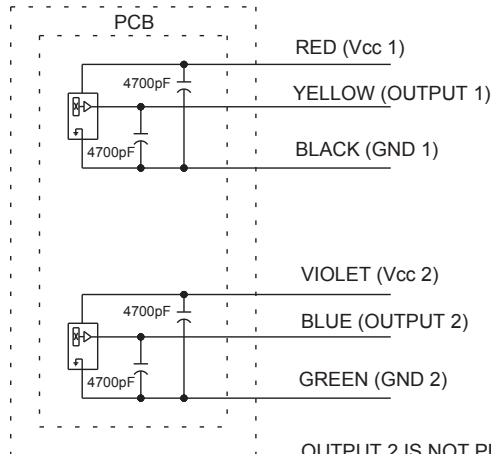
WIRED TERMINATION
NOT ALL WIRES ARE PRESENT
IN ALL OUTPUT CONFIGURATIONS



OPERATING FORCE
MEASURED AT THIS
POINT



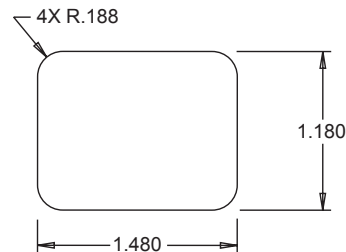
ROCKER SWITCH



OUTPUT 2 IS NOT PRESENT
IN ALL CONFIGURATIONS

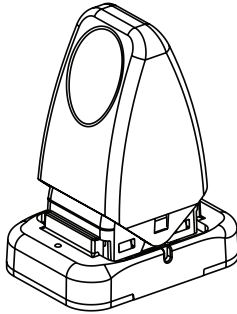
RECOMMENDED PANEL THICKNESS: 0.100 OPTIMUM THICKNESS
(0.065 MIN. - 0.175 MAX.)

RECOMMENDED PANEL OPENING: 1.180 X 1.480 OPTIMUM
(1.175/1.185 X 1.475/1.485)

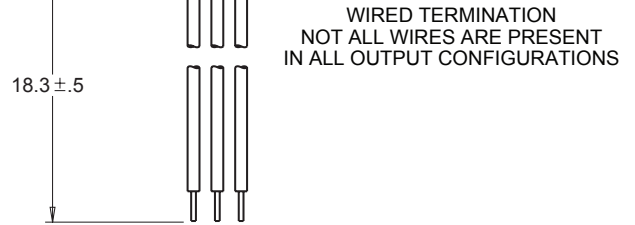
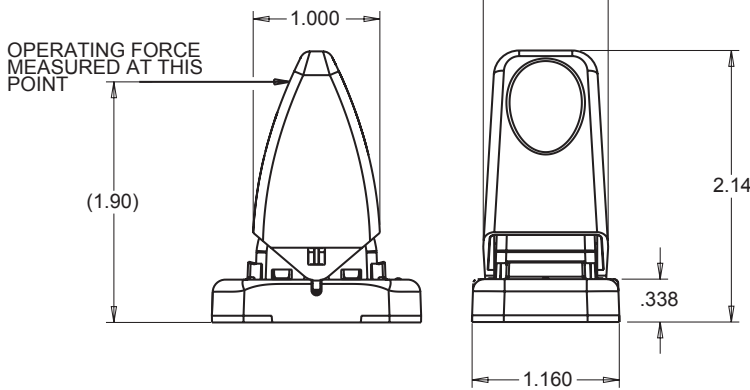
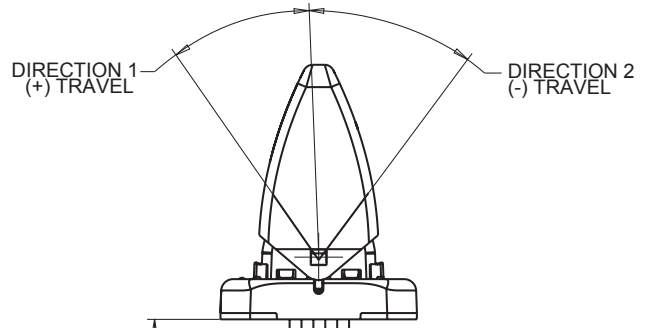
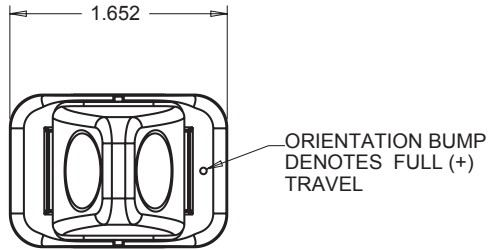
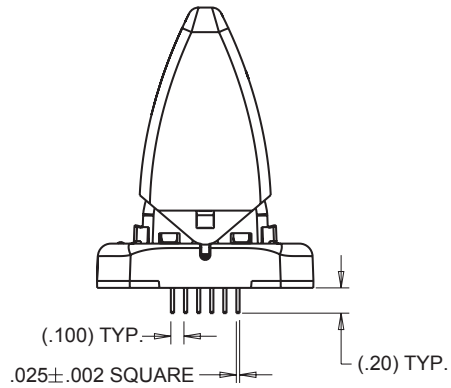


HALL EFFECT SINGLE AXIS PADDLE

UP TO 5 MILLION CYCLE MECHANICAL LIFE, 14 OUTPUT OPTIONS

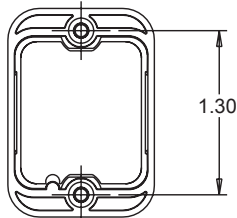
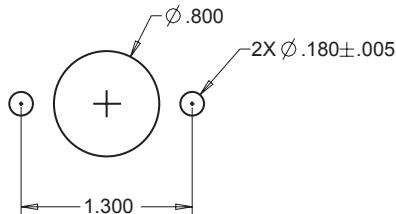
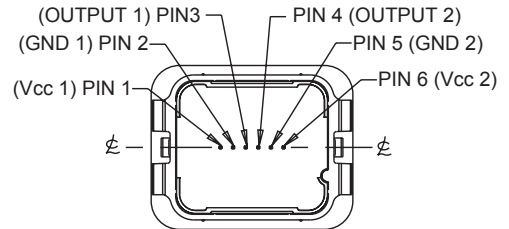


**LEVER STYLE #2
(Standard Lever)**



RECOMMENDED PANEL THICKNESS: 0.130 OPTIMUM THICKNESS
(0.125 MIN. - 0.135 MAX.)

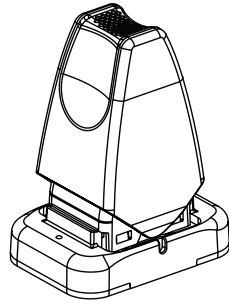
RECOMMENDED PANEL OPENING: \varnothing 0.800 OPTIMUM
(0.750 MIN. - 0.850 MAX)



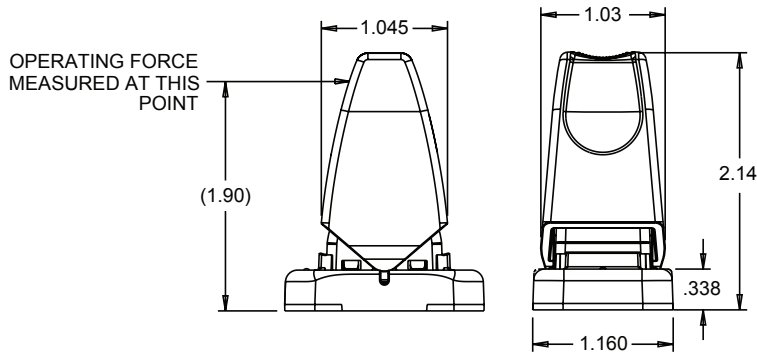
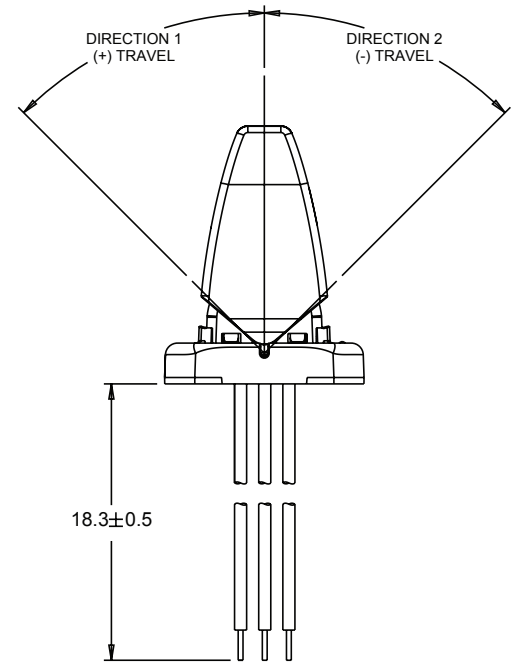
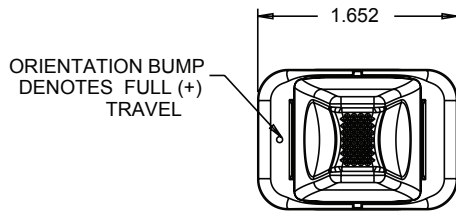
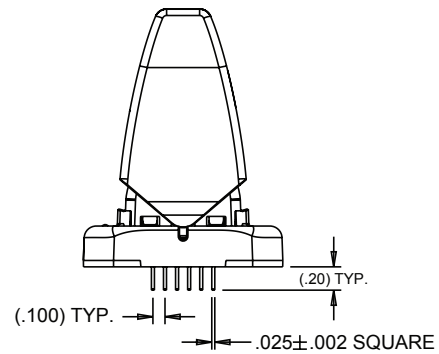
PINNED TERMINATION
NOT ALL PINS ARE PRESENT
IN ALL OUTPUT CONFIGURATIONS

HALL EFFECT SINGLE AXIS PADDLE

UP TO 5 MILLION CYCLE MECHANICAL LIFE, 14 OUTPUT OPTIONS



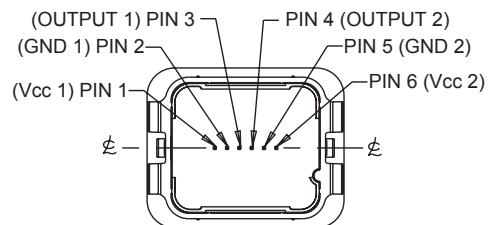
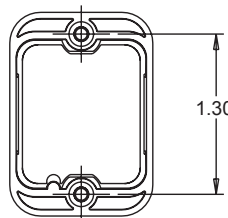
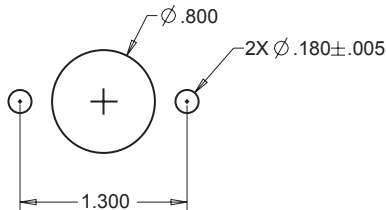
LEVER STYLE #3
(Ergonomic Lever)



WIRED TERMINATION
NOT ALL WIRES ARE PRESENT
IN ALL OUTPUT CONFIGURATIONS

RECOMMENDED PANEL THICKNESS: 0.130 OPTIMUM THICKNESS
(0.125 MIN. - 0.135 MAX.)

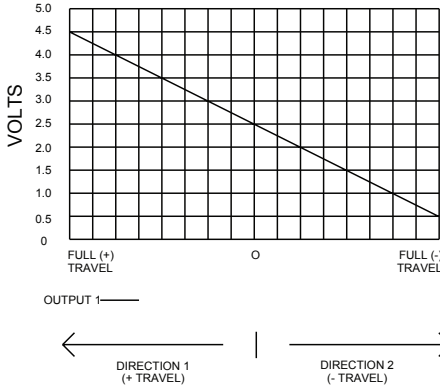
RECOMMENDED PANEL OPENING: \varnothing 0.800 OPTIMUM
(0.750 MIN. - 0.850 MAX)



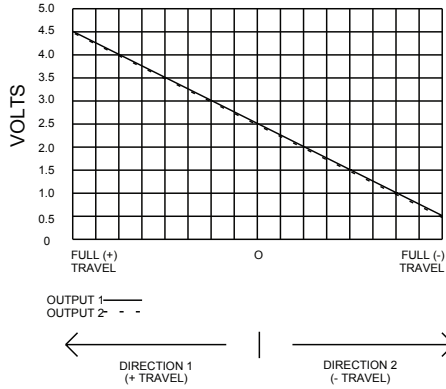
PINNED TERMINATION
NOT ALL PINS ARE PRESENT
IN ALL OUTPUT CONFIGURATIONS

UP TO 5 MILLION CYCLE MECHANICAL LIFE, 14 OUTPUT OPTIONS

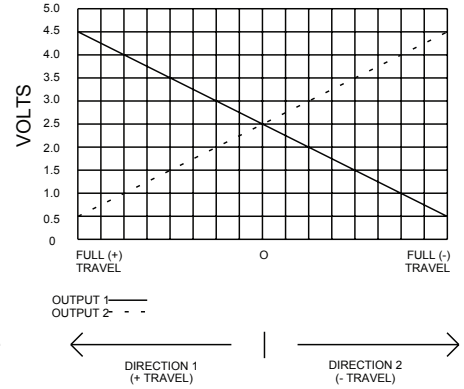
OPTION A & J



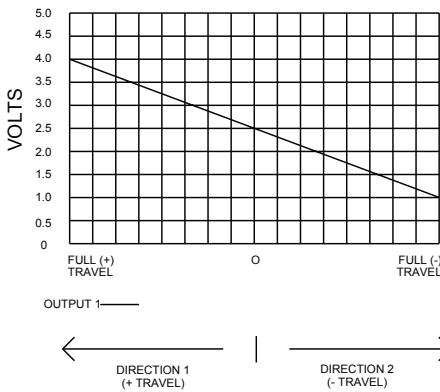
OPTION B & K



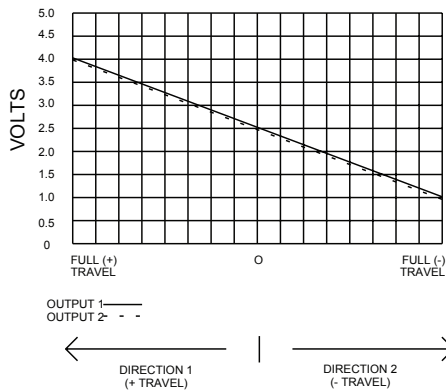
OPTION C & L



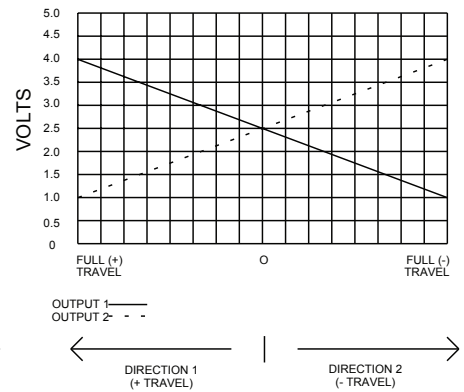
OPTION D & M



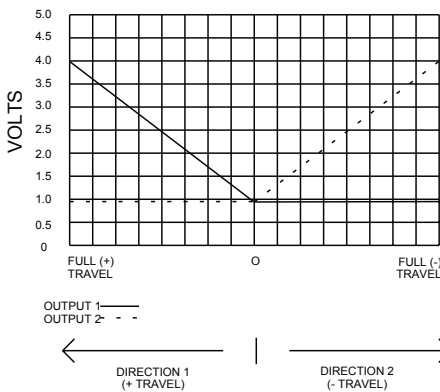
OPTION E & N



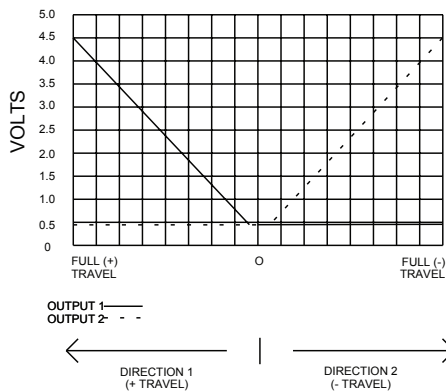
OPTION F & P



OPTION G



OPTION H



LINEAR HALL EFFECT FINGER JOYSTICK

2 & 4-WAY LINEAR HALL EFFECT FINGER JOYSTICK



HTL4 with External Castle Boot Style Button



HTL2 with Tall Concave Stadium Boot Style Button

The HTL series provides all of the performance of a full size, dual axis joystick in a miniature package that can be mounted in control handles, armrests and panels. The Hall effect sensors are immune to electromagnetic and radio frequency interference up to 100V/M. Programmable sensors with built-in temperature compensation ensure consistent and repeatable operation. The HTL series has excellent tactile feel for improved operator control and is available with either dusttight or IP68S watertight seal. A wide variety of output configurations are available to satisfy different applications.

Features:

- Designed for grip, armrest & panel mounting
- Proven contactless analog output Hall effect technology
- Redundant outputs available
- 1 million cycles
- Electronics watertight to IP68S
- Outstanding EMI/RFI immunity
- Variety of button styles
- Tighter center tolerance options
- RoHS/WEEE/Reach compliant

Standard Characteristics/Ratings:

MECHANICAL:

Mechanical Life: 1,000,000 all directions

Travel Angle: 23° min to 27° max, 25° typical

Operating Force with Boot: 16 oz typical to 20 oz max (at top of button) @ 20°C

Max Allowable Vertical & Radial Force on Button: 25.0 lbs.

Max Allowable Torque on Button about Shaft Axis: 5.5 lbs.

ELECTRICAL RATINGS:

HTL2: Rated at Vcc = 5V @ 20°C Load = 1mA (4.7KΩ)

Electrical	Units	Min	Typ	Max
Supply Voltage	VDC	4.50	5.00	5.50
Output Voltage Tolerance at Center AA, BB, CC, DD, EE, FF, GG & HH @ 5V Vcc	VDC	-0.25	N/A	+0.25
Output Voltage Tolerance at Center AT, BT, CT, DT, ET and FT @ 5V Vcc	VDC	-0.15	N/A	+0.15
Output Voltage Tolerance at Full Travel (see graph for output values) @ 5V Vcc	VDC	-0.25	N/A	+0.25
Supply Current per Sensor B=0, Vcc=5V, Iout=0	mA	N/A	N/A	10.00
Output Source Current Limit B=-X*, Vo=0	mA	-1.00	N/A	1.00
Output Resistance (Io ≤ 2mA)	Ω	N/A	1.00	10.00

HTL4: Rated at Vcc = 5V @ 20°C Load = 1mA (4.7KΩ)

Electrical	Units	Min	Typ	Max
Supply Voltage	VDC	4.50	5.00	5.5
Output Voltage Tolerance at Center AA, BB, CC, DD, EE, FF, GG & HH @ 5V Vcc	VDC	-0.25	N/A	+0.25
Output Voltage Tolerance at Center AT, BT, CT, DT, ET and FT @ 5V Vcc	VDC	-0.15	N/A	+0.15
Output Voltage Tolerance at Full Travel (see graph for output values) @ 5V Vcc	VDC	-0.25	N/A	+0.25
Supply Current per Sensor B=0, Vcc=5V, Iout=0	mA	N/A	N/A	10.00
Output Source Current Limit B=-X*, Vo=0	mA	-1.00	N/A	1.00

ELECTRONICS

Seal Integrity: Electronics IP68S

ENVIRONMENTAL:

Operating Temp Range: -40°C to +85°C

Storage Temp Range: -40°C to +85°C

RFI: Withstand per SAE J1113

EMI: Withstand per SAE J1113

MATERIALS:

Boot: Elastomer

Button: Thermoplastic, black

Case: Thermoplastic, black

Flange: Thermoplastic, black

Wires: 22 or 24 AWG

Mounting Hardware: Panel fastener assembly

2 & 4-WAY LINEAR HALL EFFECT TOGGLE

HTL2 PART NUMBER CODE

HTL2	-	X	X	X	X	X	XX	X	X
Button Style	Case Style	Seal	Travel	Detent	Operating Force	Output 1 ①	Output 2 ②	Termination	Button Color
1. Castle	1. 0.970" SQ.	1. Dusttight	1. 25°	1. None	1. 1.6 oz	AA. 2.5 +/- 2.0VDC	NONE	1. Wire Leads	2. Black
2. External Castle Boot		2. Watertight*		2. Detent at 50% travel (not available with button style 7)		BB. 2.5 +/- 2.0VDC	2.5 +/- 2.0VDC	22 AWG, UL 1569	
3. Short Double Stadium						CC. 2.5 +/- 2.0VDC	2.5 +/- 2.0VDC	2. Pins	
4. Tall Concave Stadium						DD. 2.5 +/- 1.5VDC	NONE	3. Wire Leads	
5. External Bat Handle Boot						EE. 2.5 +/- 1.5VDC	2.5 +/- 1.5VDC	24 AWG, SAE AS22759	
6. External Smooth Boot						FF. 2.5 +/- 1.5VDC	2.5 +/- 1.5VDC		
7. Long Concave Y Axis Button						GG. 0.5 - 4.5VDC	0.5 - 4.5VDC		
8. Low Profile Button						HH. 1.0 - 4.0VDC	1.0 - 4.0VDC		
						AT. 2.5 +/- 2.0VDC	NONE**		
						BT. 2.5 +/- 2.0VDC	2.5 +/- 2.0VDC**		
						CT. 2.5 +/- 2.0VDC	2.5 +/- 2.0VDC**		
						DT. 2.5 +/- 1.5VDC	NONE**		
						ET. 2.5 +/- 1.5VDC	2.5 +/- 1.5VDC**		
						FT. 2.5 +/- 1.5VDC	2.5 +/- 1.5VDC**		

HTL4 PART NUMBER CODE

HTL4	-	X	X	X	X	X	XX	X	X
Button Style	Case Style	Seal	Travel	Gating***	Operating Force	Output 1 ①	Output 2 ②	Termination	Button Color
1. Castle	1. 0.970" SQ.	1. Dusttight	1. 25°	1. Omnidirectional; Square; On-Axis and Off-Axis Guided Feel	1. 1.6 oz	AA. 2.5 +/- 2.0VDC	NONE	1. Wire Leads	2. Black
2. External Castle Boot		2. Watertight*		2. Gated; Two Axis Return to Center		BB. 2.5 +/- 2.0VDC	2.5 +/- 2.0VDC	22 AWG, UL 1569	
3. Short Double Stadium				3. Omnidirectional; Round; Smooth Feel		CC. 2.5 +/- 2.0VDC	2.5 +/- 2.0VDC	2. Pins	
4. Tall Concave Stadium				4. Omnidirectional; Round; On-Axis Guided Feel		DD. 2.5 +/- 1.5VDC	NONE	3. Wire Leads	
5. External Bat Handle Boot				5. Omnidirectional; Square; On-Axis and Off-Axis Guided Feel with Detent at 50% Travel		EE. 2.5 +/- 1.5VDC	2.5 +/- 1.5VDC	24 AWG, SAE AS22759	
6. External Smooth Boot				6. Omnidirectional; Round; Smooth Feel with Detent at 50% Travel		FF. 2.5 +/- 1.5VDC	2.5 +/- 1.5VDC	4. Wire Leads	
7. Long Concave Y Axis Button				7. Omnidirectional; Round; On-Axis Guided Feel with Detent at 50% Travel		GG. 0.5 - 4.5VDC	0.5 - 4.5VDC	22 AWG, UL 1569	
						HH. 1.0 - 4.0VDC	1.0 - 4.0VDC	shared powers and grounds (see schematic)	
						AT. 2.5 +/- 2.0VDC	NONE**	5. Wire Leads	
						BT. 2.5 +/- 2.0VDC	2.5 +/- 2.0VDC**	24 AWG, SAE AS22759	
						CT. 2.5 +/- 2.0VDC	2.5 +/- 2.0VDC**	shared powers and grounds (see schematic)	
						DT. 2.5 +/- 1.5VDC	NONE**		
						ET. 2.5 +/- 1.5VDC	2.5 +/- 1.5VDC**		
						FT. 2.5 +/- 1.5VDC	2.5 +/- 1.5VDC**		

* Watertight sealed option available with button styles 2, 5 and 6.

** Options AT, BT, CT, DT, ET and FT are identical to options AA, BB, CC, DD, EE and FF respectively except with a tighter center tolerance.

***Gating options 5, 6 and 7 not available with button style 7.

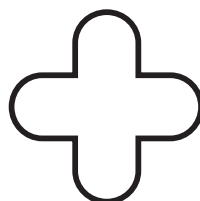
① Outputs are from the center to the full travel position in each direction. Options "AA," "BB," "CC," "DD," "EE," and "FF" provide increased voltage in +Y; and decreasing voltage in -Y direction from one output per axis with the HTL2 and increased voltage in +X, +Y; and decreasing voltage in -X, -Y direction from one output per axis with the HTL4. Options "GG" and "HH" provide increasing voltages in all directions (+Y, -Y with the HTL2 and +X, +Y, -X, -Y with the HTL4) from 2 outputs per axis.

② Options "BB" and "EE" provide redundant output 2 which duplicates output 1. Options "CC" and "FF" provide redundant output 2 which is inverse of output 1.

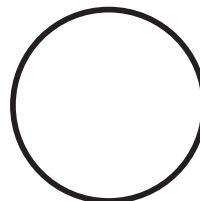
Gating Icons



Omnidirectional Square On-Axis and Off-Axis Guided Feel****



Gated Two Axis Return to Center



Omnidirectional Round On-Axis Smooth Feel



Omnidirectional Round On-Axis Guided Feel****

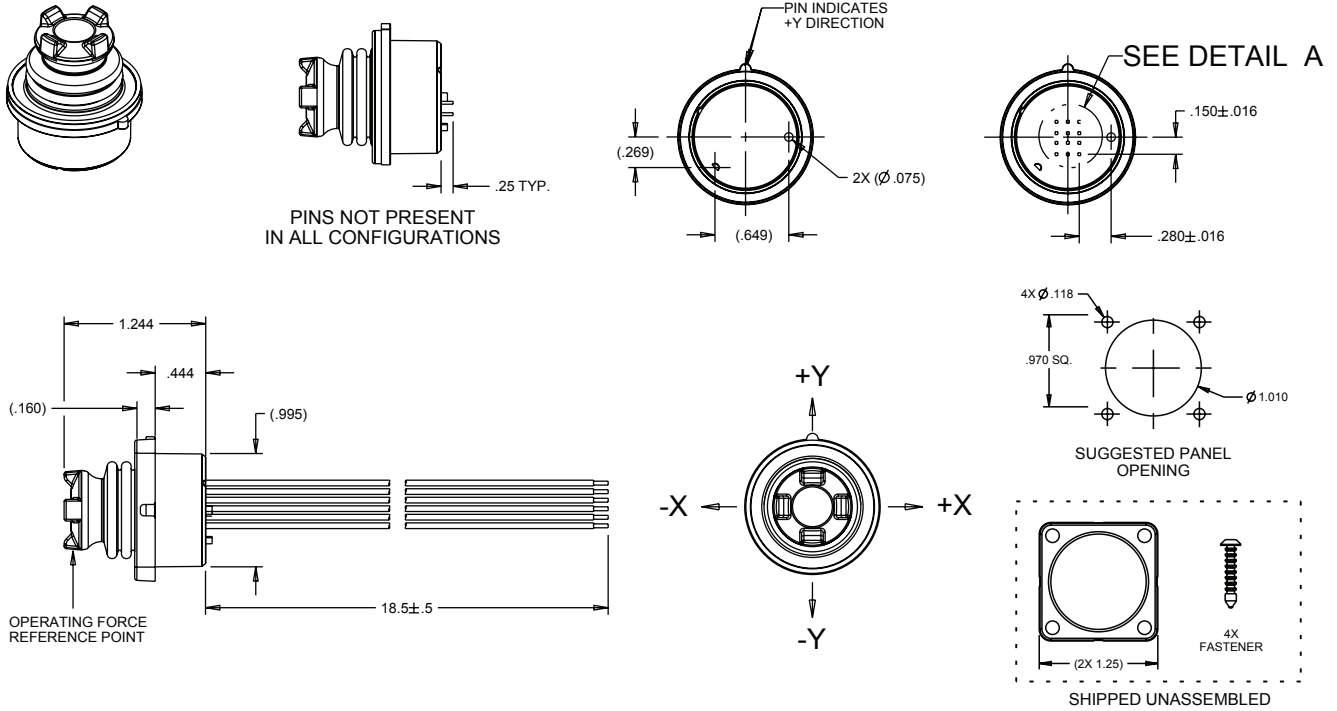


Single Axis (HTL2 version)

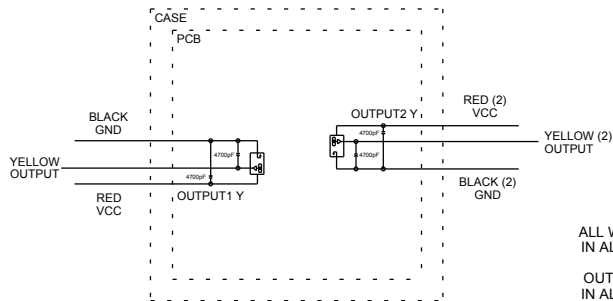
****Feel defined by shading.

LINEAR HALL EFFECT FINGER JOYSTICK

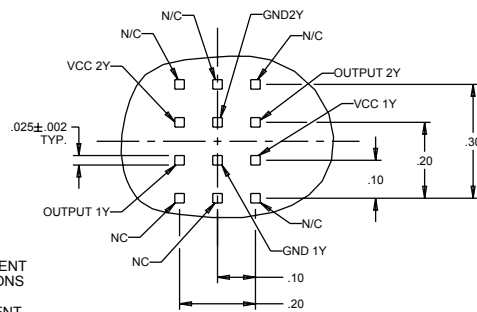
2 & 4-WAY LINEAR HALL EFFECT TOGGLE



HTL2 FOOTPRINT



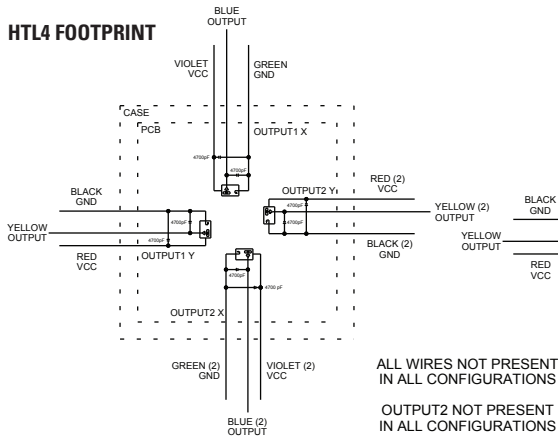
ALL WIRES NOT PRESENT IN ALL CONFIGURATIONS
OUTPUT2 NOT PRESENT IN ALL CONFIGURATIONS



DETAIL A

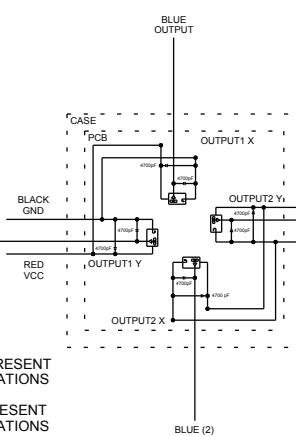
ALL PINS NOT PRESENT IN ALL CONFIGURATIONS

HTL4 FOOTPRINT

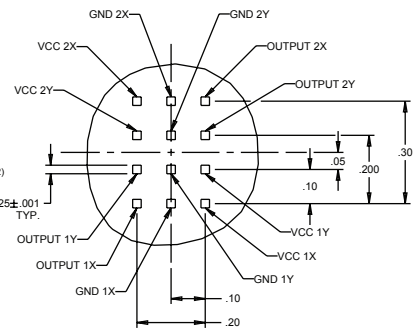


ALL WIRES NOT PRESENT IN ALL CONFIGURATIONS
OUTPUT2 NOT PRESENT IN ALL CONFIGURATIONS

TERMINATION STYLE 1, 2, AND 3



TERMINATION STYLE 4 AND 5



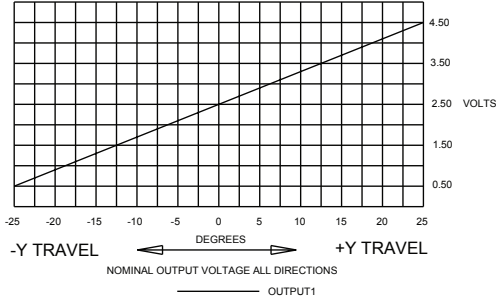
DETAIL A

ALL PINS NOT PRESENT IN ALL CONFIGURATIONS

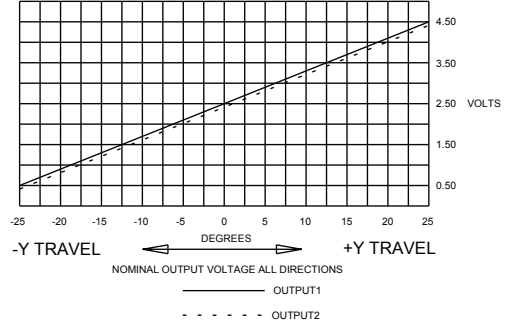
2 & 4-WAY LINEAR HALL EFFECT TOGGLE

HTL2 OUTPUTS

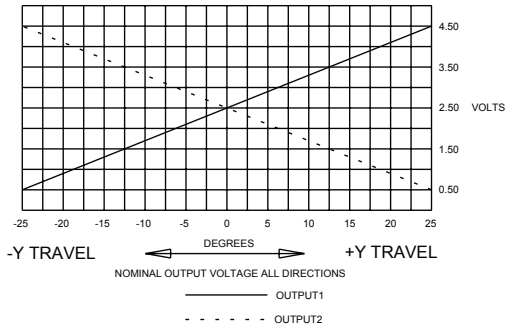
OPTION AA & AT



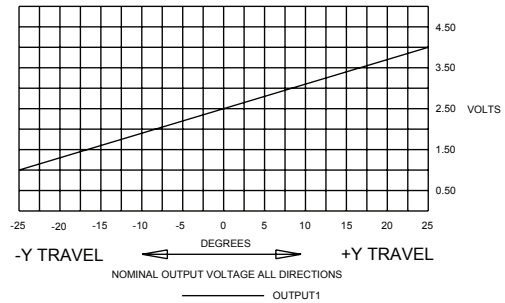
OPTION BB & BT



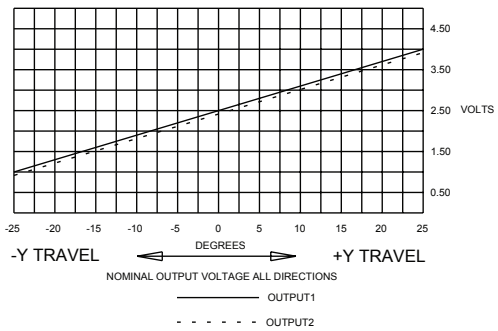
OPTION CC & CT



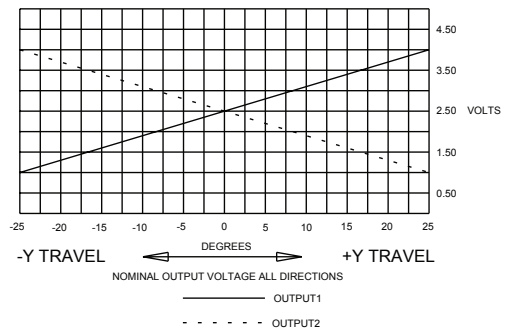
OPTION DD & DT



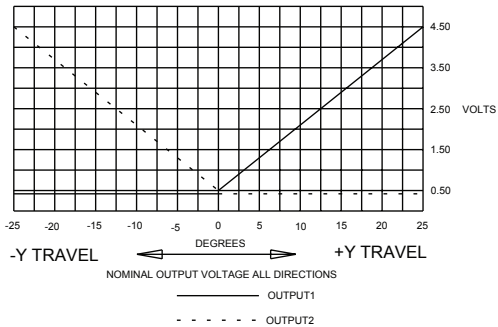
OPTION EE & ET



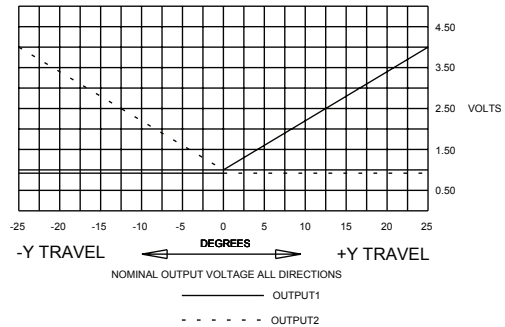
OPTION FF & FT



OPTION GG



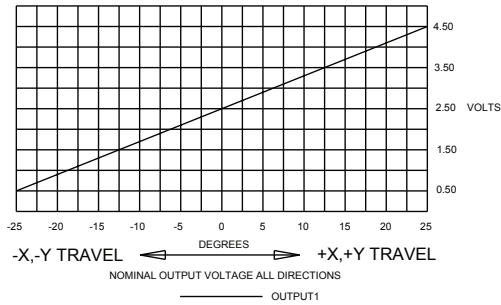
OPTION HH



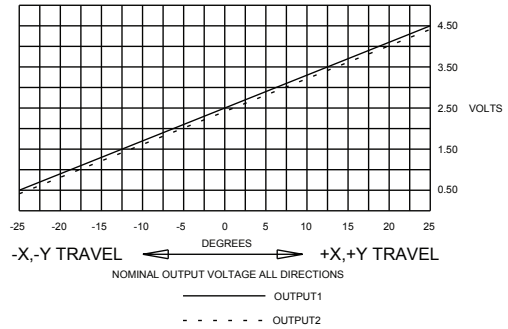
2 & 4-WAY LINEAR HALL EFFECT TOGGLE

HTL4 OUTPUTS

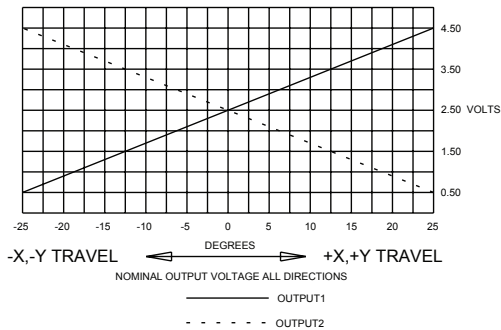
OPTION AA & AT



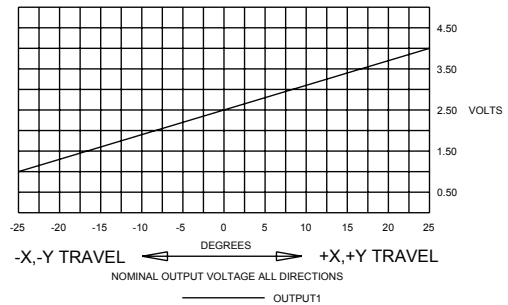
OPTION BB & BT



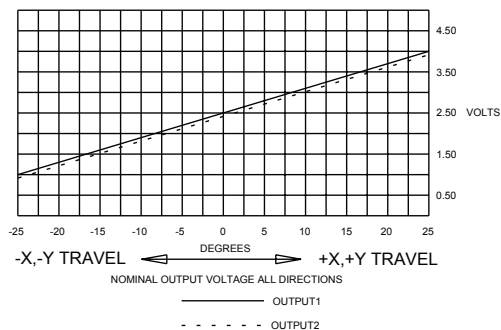
OPTION CC & CT



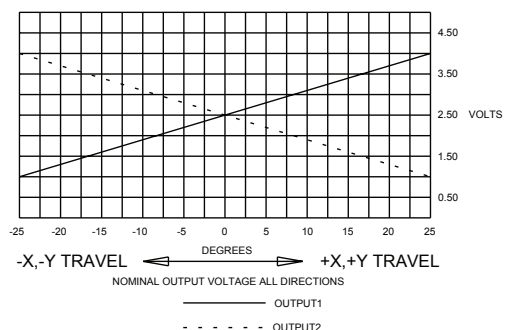
OPTION DD & DT



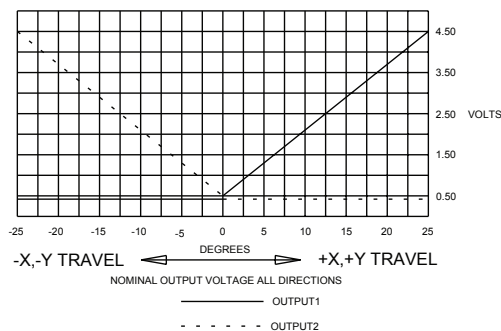
OPTION EE & ET



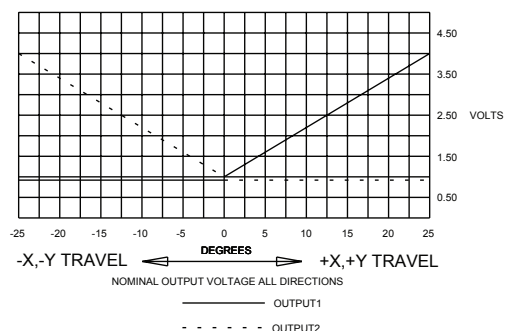
OPTION FF & FT



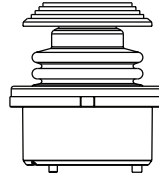
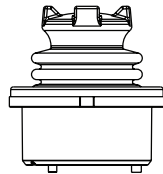
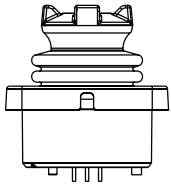
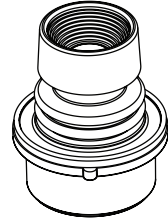
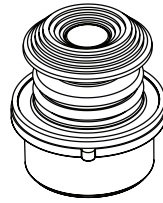
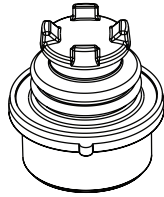
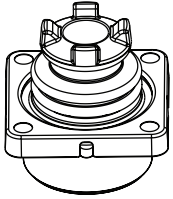
OPTION GG



OPTION HH



BUTTON CONFIGURATIONS

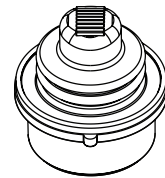
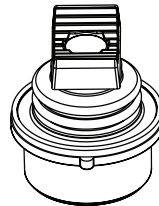
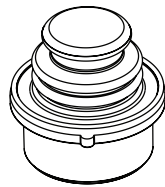
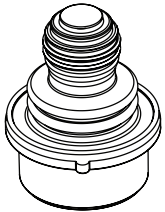


BUTTON STYLE 1
(CASTLE)

BUTTON STYLE 2
(EXTERNAL CASTLE BOOT)

BUTTON STYLE 3
(SHORT DOUBLE STADIUM)

BUTTON STYLE 4
(TALL CONCAVE STADIUM)



BUTTON STYLE 5
(EXTERNAL BAT
HANDLE BOOT)

BUTTON STYLE 6
(EXTERNAL SMOOTH BOOT)

BUTTON STYLE 7
(LONG CONCAVE Y AXIS BUTTON)

BUTTON STYLE 8
(LOW PROFILE BUTTON)
(AVAILABLE FOR HTL2 ONLY)

FINGER JOYSTICK WITH PUSHBUTTON OPTION

HTLT
HALL EFFECT
FINGER JOYSTICK

3 MILLION CYCLE MECHANICAL LIFE, PUSHBUTTON OPTION



HTLT4 with
Center Pushbutton

OTTO's HTLT Series miniature Hall effect joystick is a proportional linear output finger joystick with a pushbutton option. With a lower base price than the HTL, the HTLT features 6 different button styles, multiple output configurations and 3 mounting options including top mount with threaded housing.

Gating options include omnidirectional square on axis guided feel, gated single axis return to center, gated dual axis return to center and omnidirectional round smooth feel. The HTLT offers excellent tactile feedback and is available with a mechanical seal of either dusttight or watertight per IP68S. All electronics are sealed to IP68S.

Featuring contactless Hall effect technology, the HTLT is designed to withstand harsh environments and works well in the industrial, medical, unmanned vehicle and off-highway industries for applications such as remote controls, armrest integration, control panels and belly boxes.

Features:

- One/two axis gated or 360°
- Pushbutton option
- Electronics sealed to IP68S
- Dusttight or Watertight per IP68S
- 3.3V SPI output option
- Single or redundant analog output options
- PWM output option
- 3 million cycle mechanical life
- Tested for harsh environments
- Great for industrial, medical, unmanned vehicle and off-highway industries

Standard Characteristics/Ratings:

ELECTRICAL RATINGS:

Joystick: Rated at Vcc = 5V @ 20°C Load = 1mA (4.7KΩ)

Electrical	Units	Min	Typ	Max
Supply Voltage	VDC	4.50	5.00	5.50
Output Voltage Tolerance at Center	VDC @ 5V Vcc	-.25	N/A	+.25
Output Voltage Tolerance at Full Travel	VDC @ 5V Vcc	-.25	N/A	+.25
Supply Current Outputs "AA" & "DD" B=0, Vcc=5V, Io=0	mA	N/A	10.00	12.00
Supply Current Outputs "BB", "CC", "EE", "FF", "GG" & "HH" B=0, Vcc=5V, Io=0	mA	N/A	20.00	24.00
Output Impedance	kΩ	N/A	1.00	N/A

Pushbutton Circuit: Normally Open Logic Level

MECHANICAL RATINGS

Joystick: Mechanical Life All Directions		3,000,000 Cycles		
Mechanical	Units	Min	Typ	Max
Travel Angle	Degrees	19.0	20.0	21.0
Over Travel Angle	Degrees	0.5	1.0	1.5
Operating Force (w/ Boot) at Top of Button, @ 20° C	OZ	5.0	8.0	16.0
Max Allowable Vertical Force on Button	LBS	N/A	N/A	25.0
Max Allowable Radial Force on Top of Knob	LBS	N/A	N/A	25.0
Max Allowable Torque on Button About Shaft Axis	IN-LBS	N/A	N/A	5.5

Pushbutton:

Mechanical Life	3,000,000 Cycles			
Operating Force @ 20° C	OZ	6.0	8.0	10.0

ENVIRONMENTAL:

Operating Temperature:	° C	-40	20	85
------------------------	-----	-----	----	----

Joystick:

Electronics Seal	ISO 20653, Dusttight or watertight per IP68S		
Drop	1 Meter Max. to Concrete		
EMI/RFI Withstand	Per SAE J1113, Contact Factory for Details		

Pushbutton:

Seal	ISO 20653, Dusttight or watertight per IP68S		
------	--	--	--

ELECTRONICS

Seal Integrity:	Electronics IP68S		
-----------------	-------------------	--	--

MATERIALS:

Housing:	Thermoplastic, black		
Button:	Thermoplastic, black		
Flange:	Thermoplastic, black		
Bellows:	Silicone, black		
Pushbutton Wires:	24 AWG		

Mounting Hardware: 1-27 Hex nut (.09 Thick) included (with threaded base) Recommended max torque = 7 IN-LBS. or 4x #4-40 x .38 screws with square mounting flange

3 MILLION CYCLE MECHANICAL LIFE, PUSHBUTTON OPTION

HTLT2 PART NUMBER CODE

HTLT2 - X	X	X	X	X	X	XX	X	X	
Button Style	Case Style	Seal*	Travel	Gating	Operating Force	Output 1 ①	Output 2 ②	Termination	Button Color
1. Castle	1. 1-27 Thread	1. Dusttight	1. 20°	1. Single Axis	1. 16 oz	AA. 2.5 +/- 2.0VDC	NONE	1. Wire Leads	2. Black
2. External Castle Boot	2. 1" Smooth	2. Watertight**		Return to Center		BB. 2.5 +/- 2.0VDC	2.5 +/- 2.0VDC	22 AWG	
3. Short Double Stadium						CC. 2.5 +/- 2.0VDC	2.5 +/- 2.0VDC	UL 1569***	
4. Tall Concave Stadium						DD. 2.5 +/- 1.5VDC	NONE	2. Wire Leads	
5. External Bat Handle Boot						EE. 2.5 +/- 1.5VDC	2.5 +/- 1.5VDC	24 AWG	
8. External Castle Boot with Pushbutton						FF. 2.5 +/- 1.5VDC	2.5 +/- 1.5VDC	SAE	
						GG. 0.5 - 4.5VDC	0.5 - 4.5VDC	AS22759***	
						HH. 1.0 - 4.0VDC	1.0 - 4.0VDC		
						JJ. SPI, 3.3V Supply	None		
						KK. SPI, 5V Supply	None		

* Electronics sealed to IP68S.

** Watertight panel sealed option available with button styles 2, 5 and 8.

*** Pushbutton wire leads are 24 AWG, SAE AS22759.

① Outputs are from the center to the full travel position in each direction. Options "AA", "BB", "CC", "DD", "EE" and "FF" provide increased voltage in +Y and decreasing voltage in -Y. Direction from one output per axis. Options "GG" and "HH" provide increasing voltages in all directions (+Y -Y) from 2 outputs per axis.

② Options "BB" and "EE" provide redundant output 2 which duplicates output 1. Options "CC" and "FF" provide redundant output 2 which is inverse of output 1.

HTLT4 PART NUMBER CODE

HTLT4 - X	X	X	X	X	X	XX	X	X	
Button Style	Case Style	Seal*	Travel	Gating	Operating Force	Output 1 ①	Output 2 ②	Termination	Button Color
1. Castle	1. 1-27 thread	1. Dusttight	1. 20°	1. Omnidirectional;	1. 16 oz	AA. 2.5 +/- 2.0VDC	NONE	1. Wire Leads	2. Black
2. External Castle Boot	2. 1" smooth	2. Watertight**		Square on Axis		BB. 2.5 +/- 2.0VDC	2.5 +/- 2.0VDC	22 AWG	
3. Short Double Stadium				Guided Feel		CC. 2.5 +/- 2.0VDC	2.5 +/- 2.0VDC	UL 1569***	
4. Tall Concave Stadium				2. Gated; Two Axis		DD. 2.5 +/- 1.5VDC	NONE	2. Wire Leads	
5. External Bat Handle Boot				Return to Center		EE. 2.5 +/- 1.5VDC	2.5 +/- 1.5VDC	24 AWG	
8. External Castle Boot with Pushbutton				3. Omnidirectional;		FF. 2.5 +/- 1.5VDC	2.5 +/- 1.5VDC	SAE AS22759***	
				Square; Smooth		GG. 0.5 - 4.5VDC	0.5 - 4.5VDC		
				Feel		HH. 1.0 - 4.0VDC	1.0 - 4.0VDC		
						JJ. SPI, 3.3V Supply	None		
						KK. SPI, 5V Supply	None		

* Electronics sealed to IP68S.

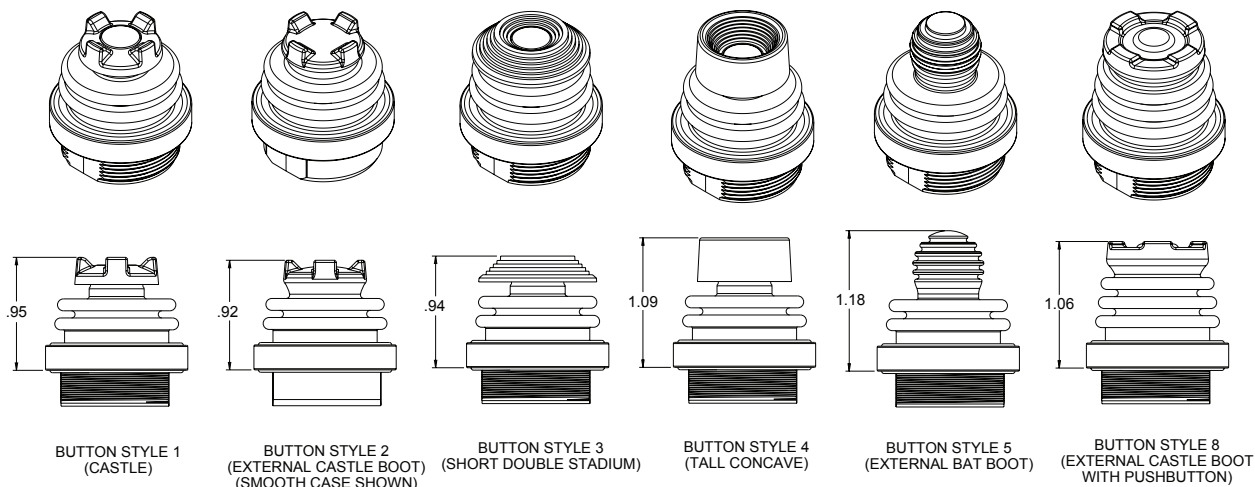
** Watertight panel sealed option available with button styles 2, 5 and 8.

*** Pushbutton wire leads are 24 AWG, SAE AS22759.

① Outputs are from the center to the full travel position in each direction. Options "AA", "BB", "CC", "DD", "EE" and "FF" provide increased voltage in +X, +Y and decreasing voltage in -X, -Y. Direction from one output per axis. Options "GG" and "HH" provide increasing voltages in all directions (+X, +Y, -X, -Y) from 2 outputs per axis.

② Options "BB" and "EE" provide redundant output 2 which duplicates output 1. Options "CC" and "FF" provide redundant output 2 which is inverse of output 1.

Button Style Configurations

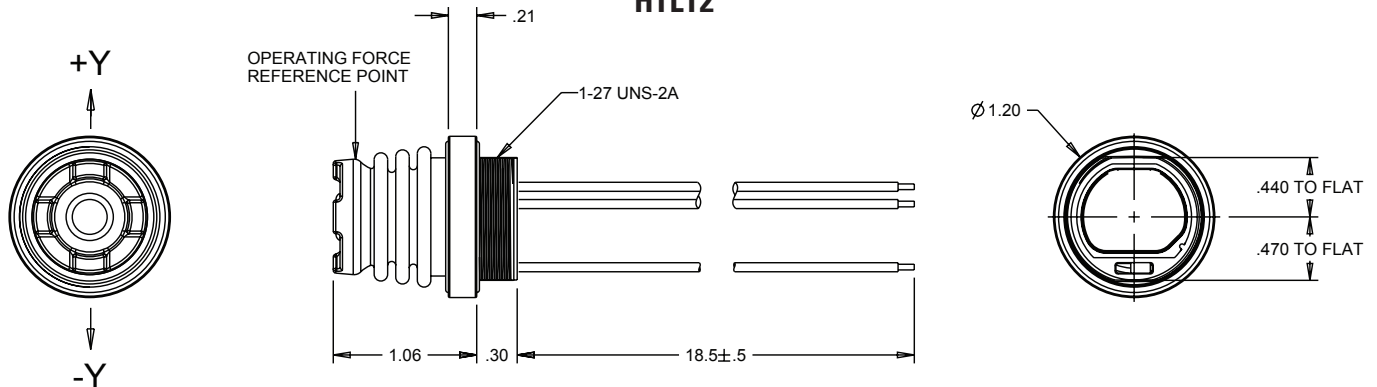


FINGER JOYSTICK WITH PUSHBUTTON OPTION

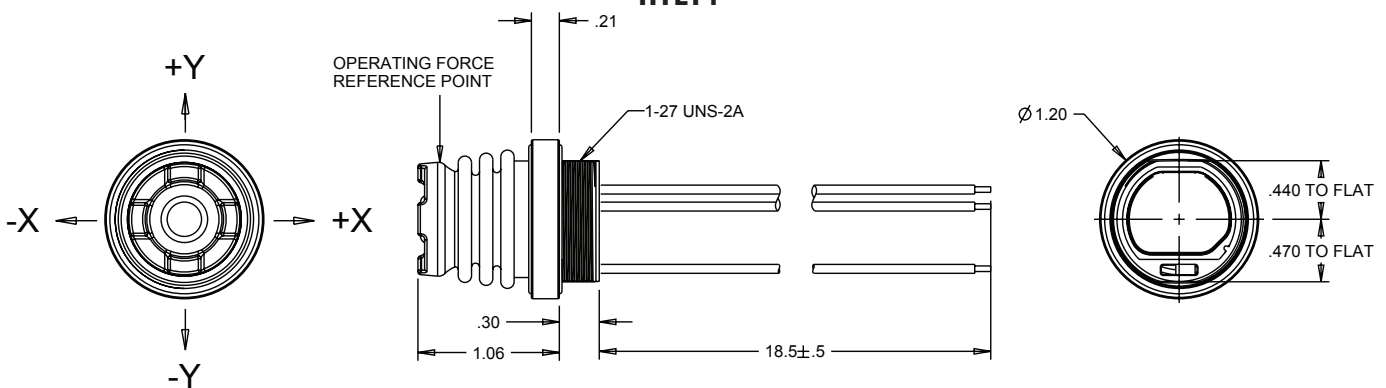
HTLT
HALL EFFECT
FINGER JOYSTICK

3 MILLION CYCLE MECHANICAL LIFE, PUSHBUTTON OPTION

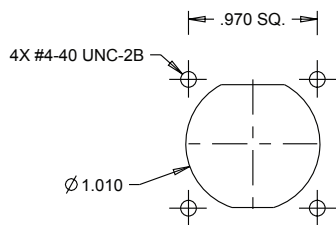
HTLT2



HTLT4



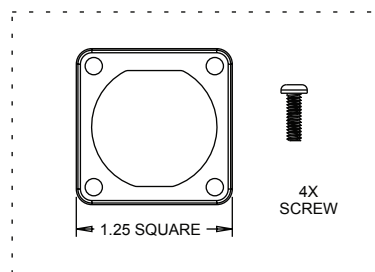
HTLT2 and HTLT4 Panel Footprint



SUGGESTED PANEL OPENING WHEN USING FLANGE AND SCREWS.

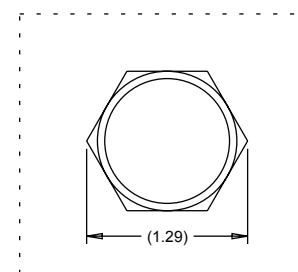
MAX. PANEL THICKNESS OF 0.125 FOR BOTTOM MOUNT

MIN. PANEL THICKNESS OF .100 FOR TOP MOUNT

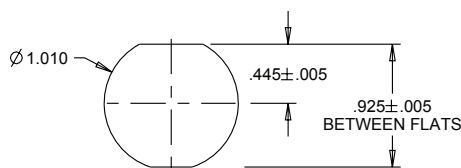


1" SMOOTH CASE STYLE HARDWARE SHIPPED UNASSEMBLED

OR



1-27 THREAD CASE STYLE HARDWARE SHIPPED UNASSEMBLED



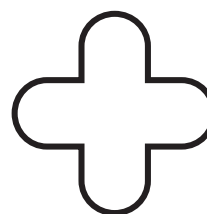
SUGGESTED PANEL OPENING WHEN USING 1-27 NUT.

MAX. PANEL THICKNESS OF 0.125

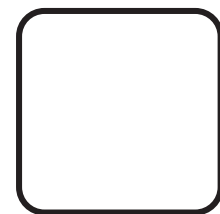
HTLT4 Gating Icons



Omnidirectional;
Square On-Axis
Guided Feel
(defined by shading)



Gated;
Two Axis
Return to Center

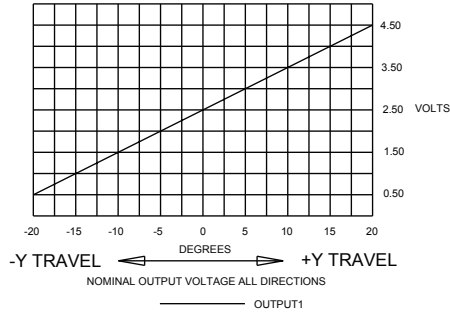


Omnidirectional;
Square;
Smooth Feel

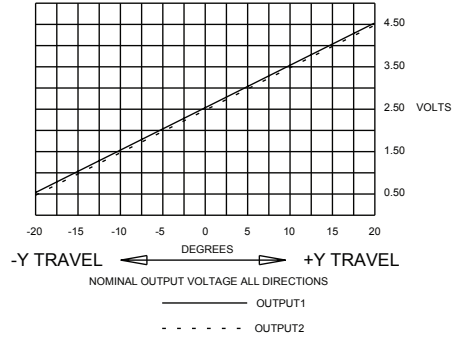
3 MILLION CYCLE MECHANICAL LIFE, PUSHBUTTON OPTION

HTLT2

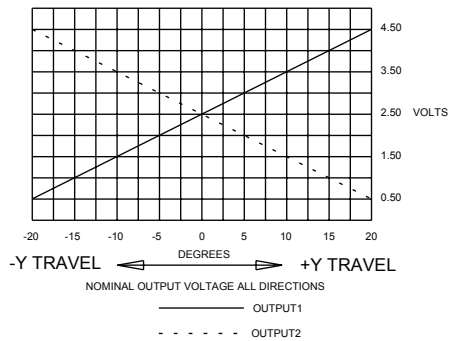
OPTION AA



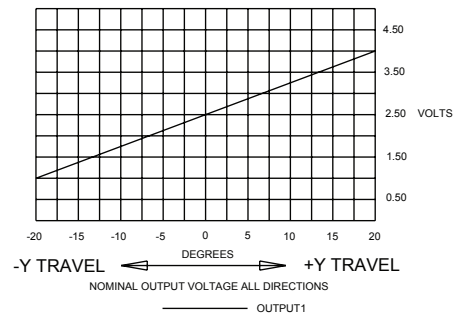
OPTION BB



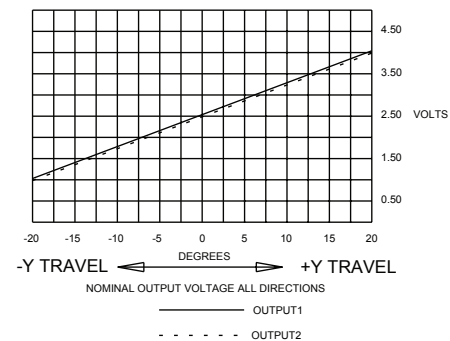
OPTION CC



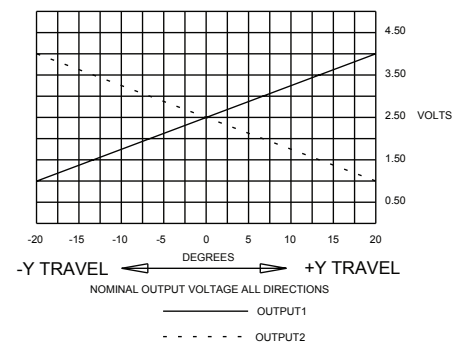
OPTION DD



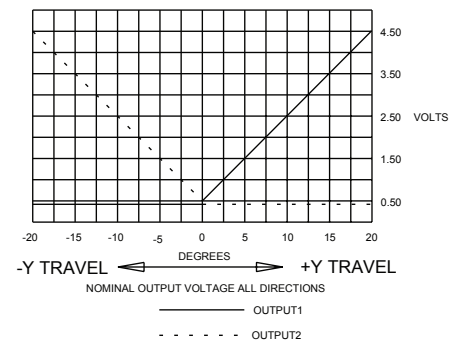
OPTION EE



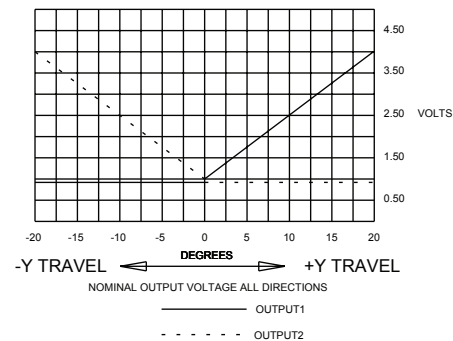
OPTION FF



OPTION GG



OPTION HH



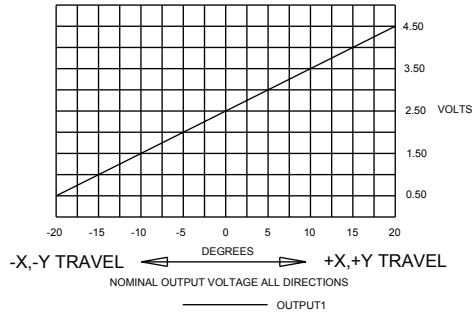
FINGER JOYSTICK WITH PUSHBUTTON OPTION

HTLT
HALL EFFECT
FINGER JOYSTICK

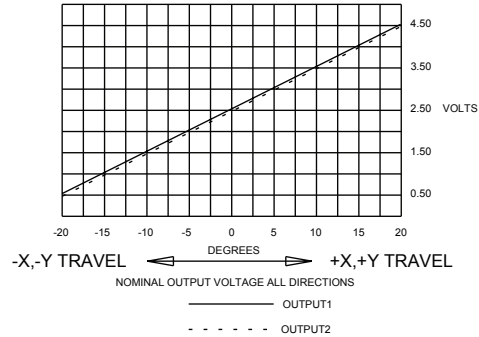
3 MILLION CYCLE MECHANICAL LIFE, PUSHBUTTON OPTION

HTLT4

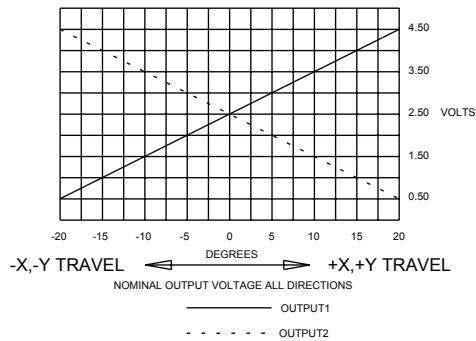
OPTION AA



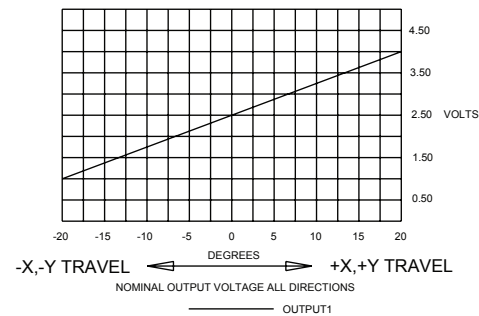
OPTION BB



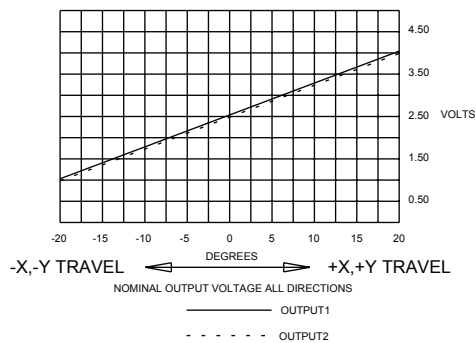
OPTION CC



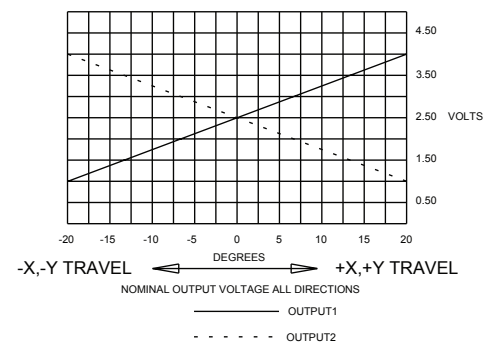
OPTION DD



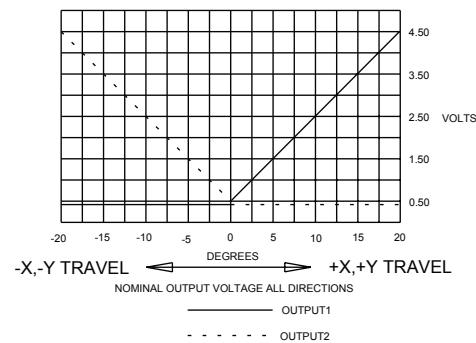
OPTION EE



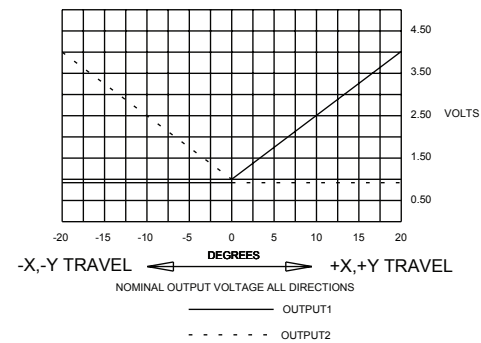
OPTION FF



OPTION GG



OPTION HH



3 MILLION CYCLE ROTATIONAL LIFE



Knurled
Wheel Style
(with Wires)



Paddle
Wheel Style
(with Pins)

The HTW Hall Effect Proportional Output Thumbwheel is a spring-return-to-center, single axis thumbwheel with an actuator that provides linear change in voltage output in either direction from the center. Available with eight output options, including increasing and decreasing voltage output from the center position to the full travel position and single or dual (redundant) outputs. The HTW snaps into a 1.47" x 0.710" panel opening with rocker switch style mounting. A durable switch providing three million cycle rotational life, sealed to IP68S and excellent EMI / RFI immunity.

Features:

- 8 output options
- Spring-return-to-center single axis actuator
- Snaps into 1.47" x 0.710" panel opening
- Rocker switch style mounting
- 3 million cycle rotational life
- Electronics sealed to IP68S
- Excellent EMI/RFI immunity
- Detent options available
- Tighter center tolerance options
- RoHS/WEEE/Reach compliant

Standard Characteristics/Ratings:

MECHANICAL:

Mechanical Life: 3,000,000 full forward to full back

Mechanical Detent Cycle Life Per Detent: 100,000 (detent @ +/- 21°, full travel is +/- 30° max)

Max Allowable Radial Load: 30.0 lbs.

ELECTRICAL RATINGS: Rated at Vcc = 5V @ 25°C Load = 1mA (4.7KΩ)

Electrical	Units	Min	Typ	Max
Supply Voltage	VDC	4.50	5	5.50
Output Voltage Tolerance at Center (A, B, C, D, E, F, G and H)	VDC @ 5V Vcc	-0.15	N/A	+0.15
Output Voltage Tolerance at Center (J, K, L, M, N and P)	VDC @ 5V Vcc	-0.10	N/A	+0.10
Output Voltage Tolerance at Center (for detent version A only)	VDC @ 5V Vcc	-0.25	N/A	+0.25
Output Voltage Tolerance Full Travel	VDC @ 5V Vcc	-0.25	N/A	+0.25
Supply Current Options A & D B=0, Vcc=5V, Iout=0	mA	N/A	N/A	10
Supply Current For all Other Options B=0, Vcc=5V, Iout=0	mA	N/A	N/A	20

Reverse Voltage Protection: -5VDC max

ELECTRONICS:

Seal Integrity: Electronics IP68S

ENVIRONMENTAL:

Operating Temp Range: -40°C to +85°C

Humidity: 96% RH, 70°C, 96 hours

Vibration: Per MIL-810F minimum integrity

EMI: Withstand per SAE J1113

RFI: Withstand per SAE J1113

MATERIALS:

Button: Thermoplastic

Bezel: Thermoplastic

Snap Arms: Stainless steel

Wires: 18 AWG

PROPORTIONAL OUTPUT THUMBWHEEL

3 MILLION CYCLE ROTATIONAL LIFE

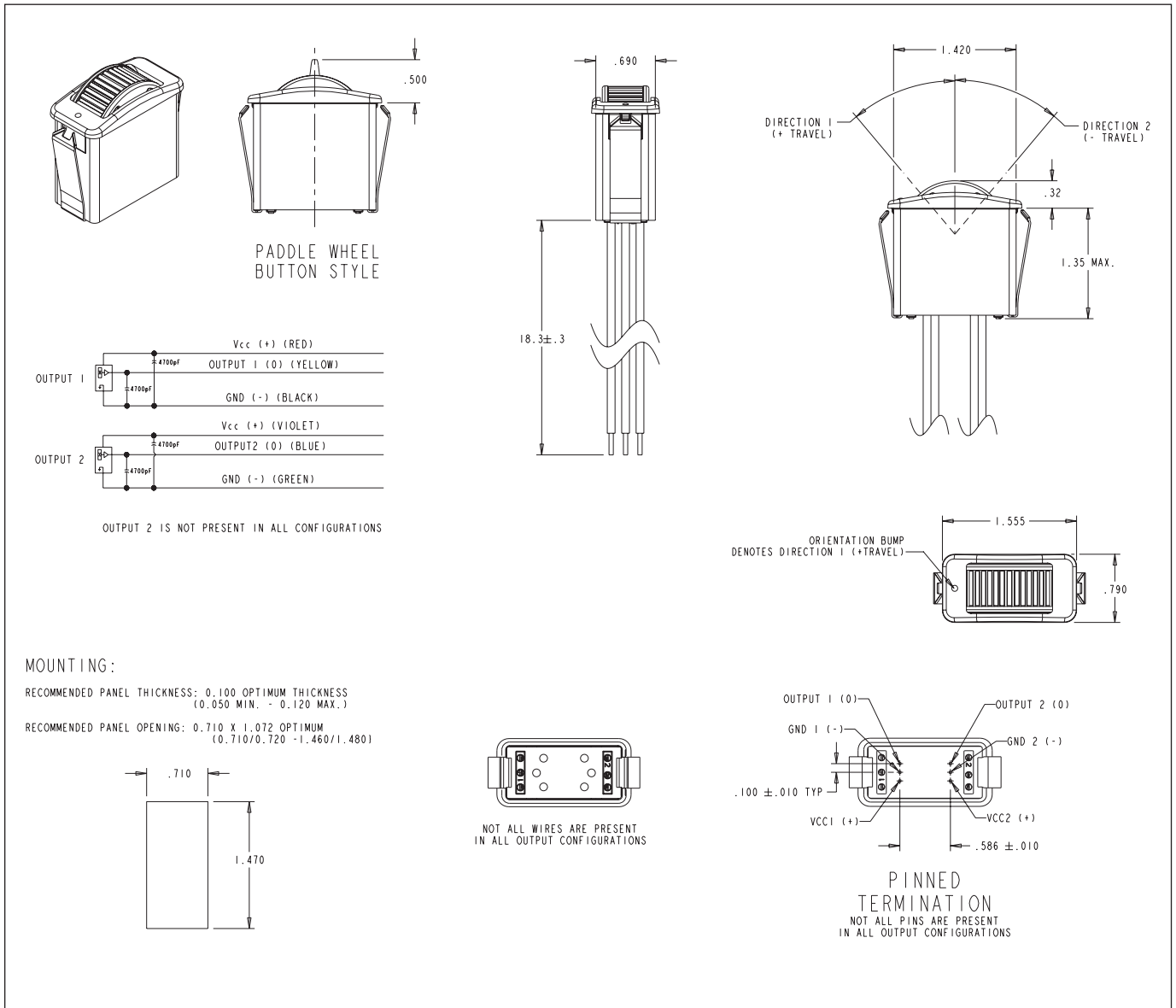
HTW PART NUMBER CODE

HTW	-	X	X	X	X	X	X	X	X
Travel	Output 1	Output 2	Operating Force	Button Style	Termination	Bezel Color	Button Color	Detent (if required)*	
1. +/- 40°	A. 2.5 +/- 2.0VDC	NONE	1. 5.0 oz.	1. Knurled Wheel	A. 18 AWG Wires 18.3" Long, Stripped Ends	1. Red	1. Red	A. Spring return center +/- 21°. 12 oz detent at end of travel, both directions**	
2. +/- 30°	B. 2.5 +/- 2.0VDC	2.5 +/- 2.0VDC		2. Paddle Wheel	B. 0.025" SQ. Pins	2. Black	2. Black		
	C. 2.5 +/- 2.0VDC	2.5 +/- 2.0VDC				3. Orange	3. Orange		
	D. 2.5 +/- 1.5VDC	NONE				4. Yellow	4. Yellow		
	E. 2.5 +/- 1.5VDC	2.5 +/- 1.5VDC				5. Green	5. Green		
	F. 2.5 +/- 1.5VDC	2.5 +/- 1.5VDC				6. Blue	6. Blue		
	G. 1.0 - 4.0VDC	1.0 - 4.0VDC				7. Violet	7. Violet		
	H. 0.5 - 4.5VDC	0.5 - 4.5VDC				8. Gray	8. Gray		
	J. 2.5 +/- 2.0VDC	NONE***				9. White	9. White		
	K. 2.5 +/- 2.0VDC	2.5 +/- 2.0VDC***							
	L. 2.5 +/- 2.0VDC	2.5 +/- 2.0VDC***							
	M. 2.5 +/- 1.5VDC	NONE***							
	N. 2.5 +/- 1.5VDC	2.5 +/- 1.5VDC***							
	P. 2.5 +/- 1.5VDC	2.5 +/- 1.5VDC***							

* Detented switch full travel is ±30° max. Detented switches reach full output before engaging detents.

** Only available with Travel option 2.

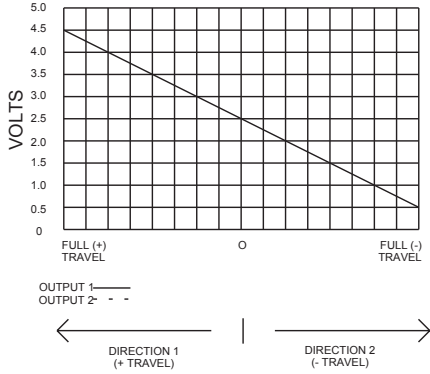
*** Options J, K, L, M, N and P are identical to options A, B, C, D, E and F respectively, except with a tighter center tolerance.



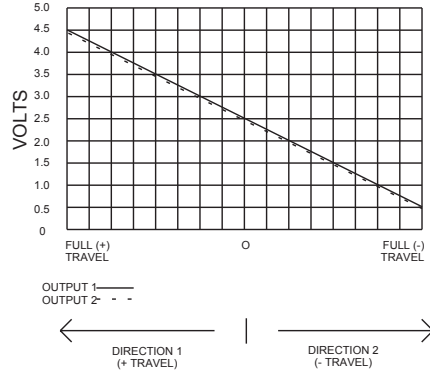
HALL EFFECT

3 MILLION CYCLE ROTATIONAL LIFE

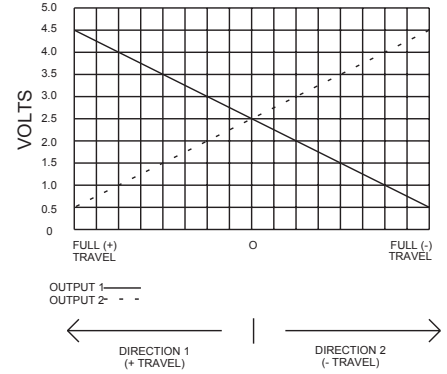
OPTION A & J



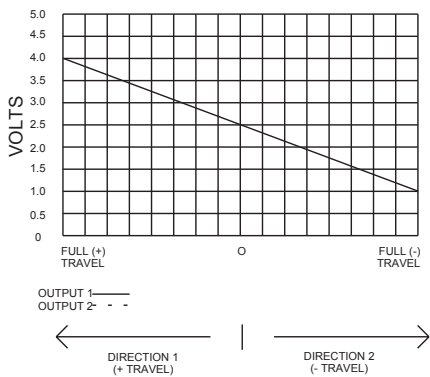
OPTION B & K



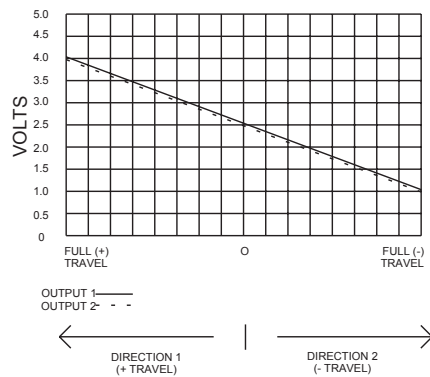
OPTION C & L



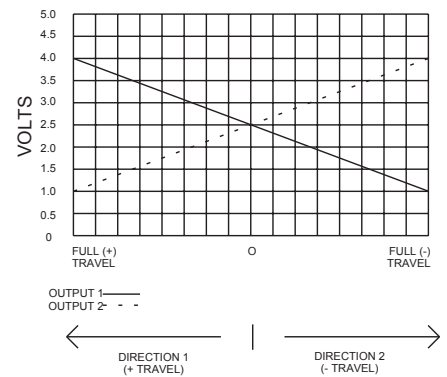
OPTION D & M



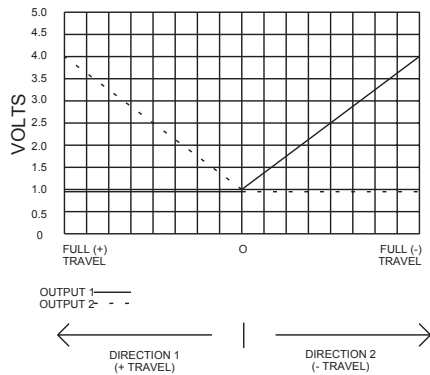
OPTION E & N



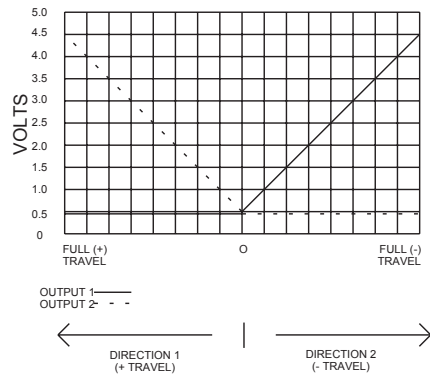
OPTION F & P



OPTION G



OPTION H



RETURN TO END STANDARD THUMBWHEEL

HTWE
HALL EFFECT
THUMBWHEEL

PROPORTIONAL OUTPUT THUMBWHEEL



Paddle Wheel



Knurled Wheel

OTTO's HTWE control is a spring return to end, single axis, proportional output thumbwheel. Utilizing non-contact Hall effect technology, the HTWE delivers one million actuations. Electronics are sealed to IP68S. The HTWE is available as an individual control ideal for panel mountings, or may be incorporated into one of OTTO's joysticks.

Features:

- Spring-return-to-end single axis actuator
- Knurled & Paddle style actuators
- Wire or pinned termination options
- Variety of button & bezel colors
- 8 output options
- Rocker switch style mounting
- Snaps into 1.47" x 0.710" panel opening
- 1 million cycle rotational life
- Electronics sealed to IP68S
- Excellent EMI/RFI immunity
- RoHS/WEEE/Reach compliant

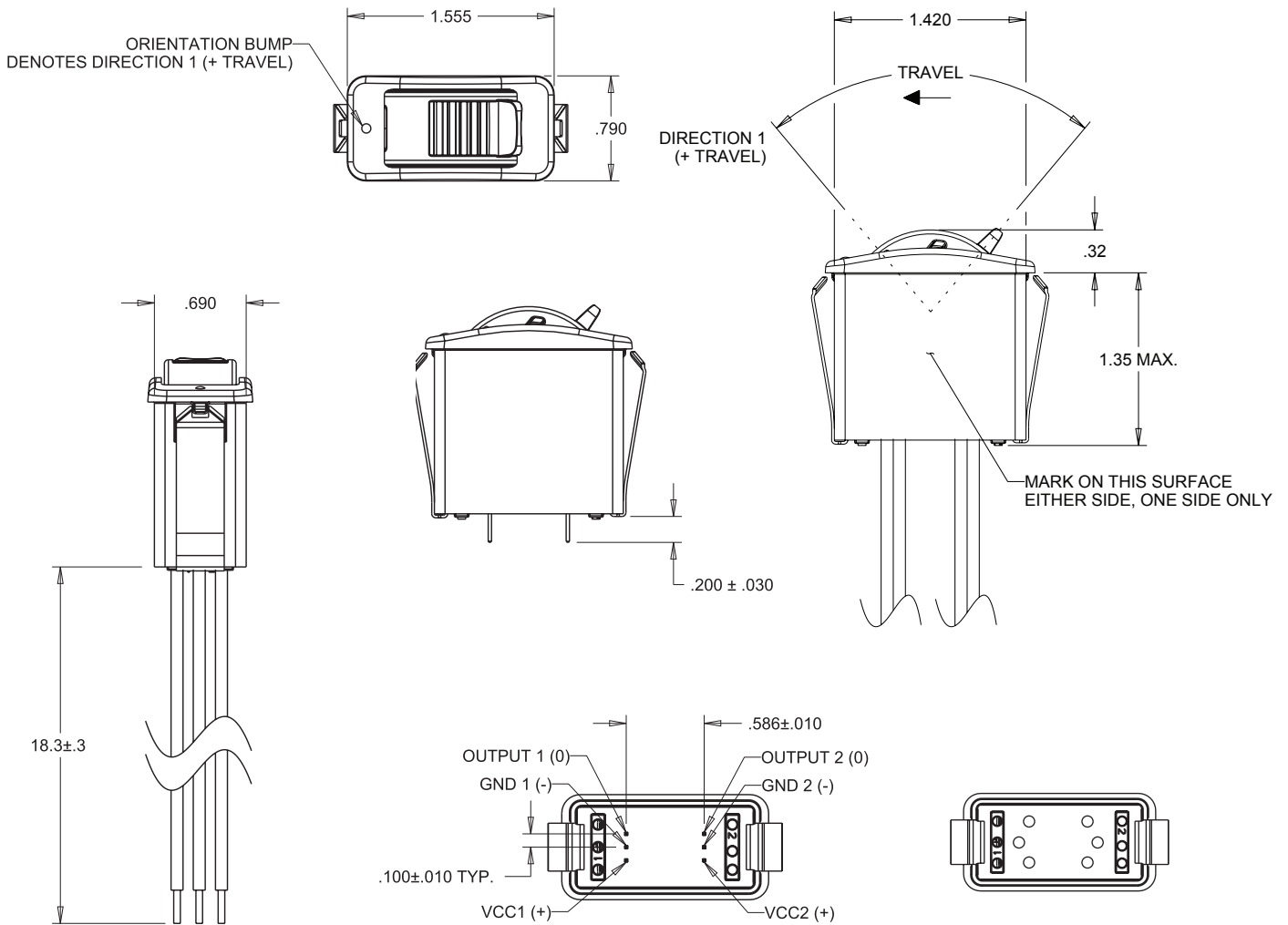
Standard Characteristics/Ratings:				
MECHANICAL:				
Mechanical Life: 1,000,000 full forward to full back				
Max Allowable Radial Load: 30.0 lbs.				
ELECTRICAL RATINGS: Rated 5V @ 25°C Load = 1mA (4.7KΩ)				
Electrical	Units	Min	Typ	Max
Supply Voltage	VDC	4.5	5.0	5.5
Output at Rest	VDC @ 5V Vcc	-0.25	N/A	+0.25
Output at Full Travel	VDC @ 5V Vcc	-0.25	N/A	+0.25
Supply Current Per Sensor	mA	N/A	N/A	10
ELECTRONICS:				
Seal Integrity:		Electronics IP68S		
ENVIRONMENTAL:				
Operating Temp Range: -40°C to +85°C				
Humidity: 96% RH, 70°C, 96 hours				
Vibration: Per MIL-810F minimum integrity				
EMI: Withstand per SAE J1113				
RFI: Withstand per SAE J1113				
MATERIALS:				
Button:		Thermoplastic		
Bezel:		Thermoplastic		
Snap Arms:		Stainless steel		
Wires:		18 AWG		

HTWE RETURN TO END STANDARD THUMBWHEEL

HTWE	-	X	X*	X	X	X	X	X
Travel	Output 1	Output 2	Operating Force	Button Style	Termination	Bezel Color	Button Color	
1. 80°	A. 0.5 - 4.5VDC	NONE	1. 10 oz typ	1. Knurled Wheel	A. 18 AWG Wires, 18.3" Long, Stripped Ends	1. Red	1. Red	
2. 60°	B. 0.5 - 4.5VDC	0.5 - 4.5VDC		2. Paddle Wheel	B. 0.025" SQ. Pins	2. Black	2. Black	
	C. 0.5 - 4.5VDC	4.5 - 0.5VDC				3. Orange	3. Orange	
	D. 1.0 - 4.0VDC	NONE				4. Yellow	4. Yellow	
	E. 1.0 - 4.0VDC	1.0 - 4.0VDC				5. Green	5. Green	
	F. 1.0 - 4.0VDC	4.0 - 1.0VDC				6. Blue	6. Blue	
						7. Violet	7. Violet	
						8. Gray	8. Gray	
						9. White	9. White	

* Output options B and E provide redundant output 2 which duplicates output 1. Output options C and F provide redundant output 2 which is inverse output 1.

PROPORTIONAL OUTPUT THUMBWHEEL



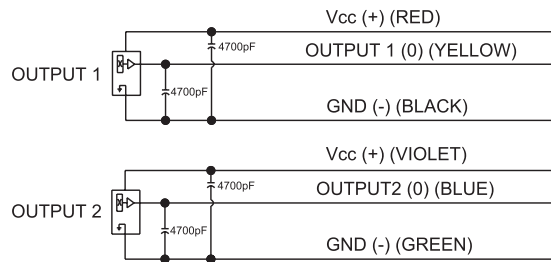
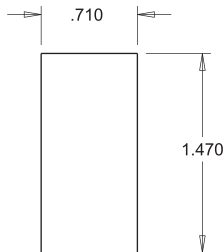
PINNED TERMINATION

NOT ALL PINS ARE PRESENT IN ALL OUTPUT CONFIGURATIONS

MOUNTING:

RECOMMENDED PANEL THICKNESS: 0.100 OPTIMUM THICKNESS
(0.050 MIN. - 0.120 MAX.)

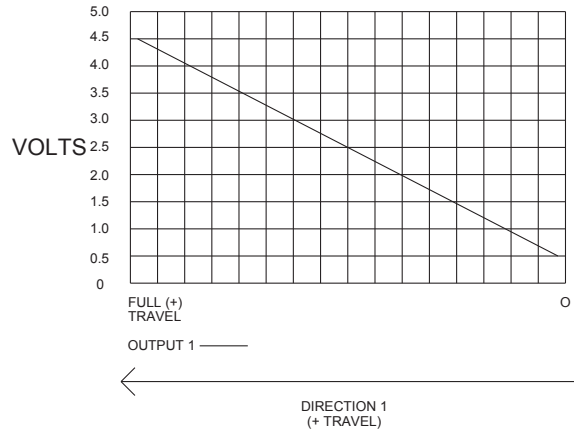
RECOMMENDED PANEL OPENING: 0.710 X 1.470 OPTIMUM
(0.710/0.720 - 1.460/1.480)



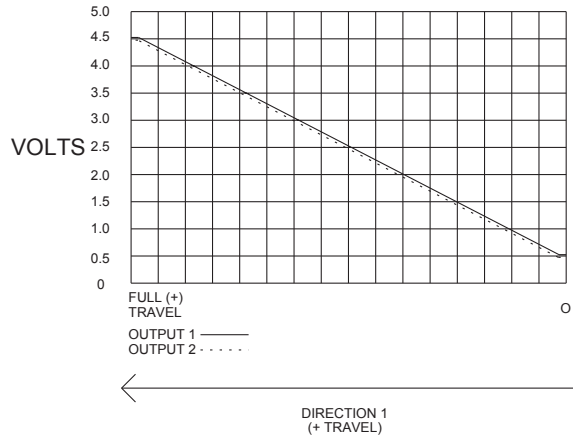
OUTPUT 2 IS NOT PRESENT IN ALL CONFIGURATIONS

PROPORTIONAL OUTPUT THUMBWHEEL

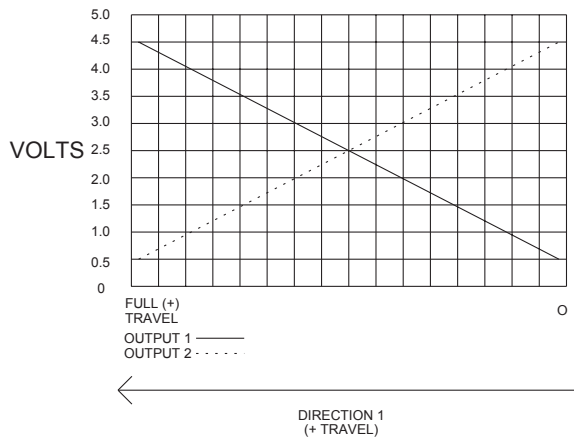
OPTION A



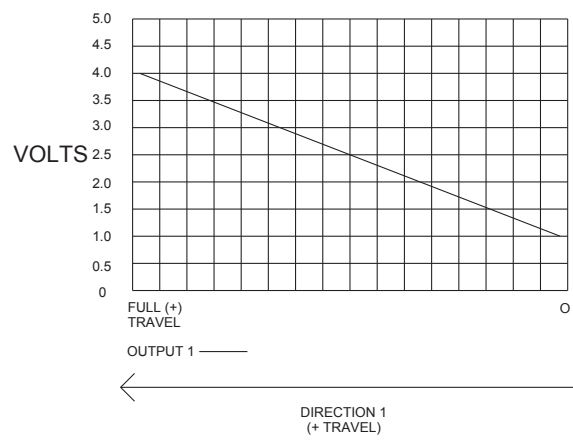
OPTION B



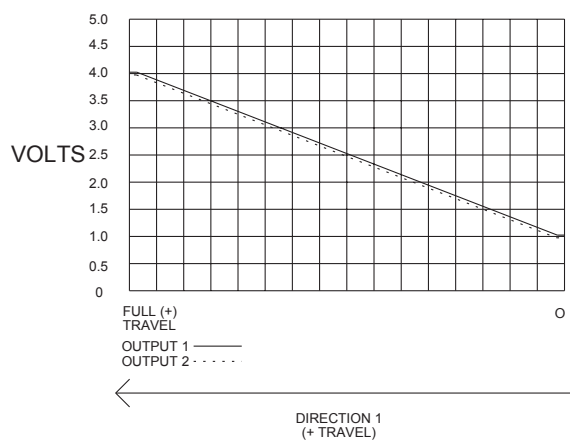
OPTION C



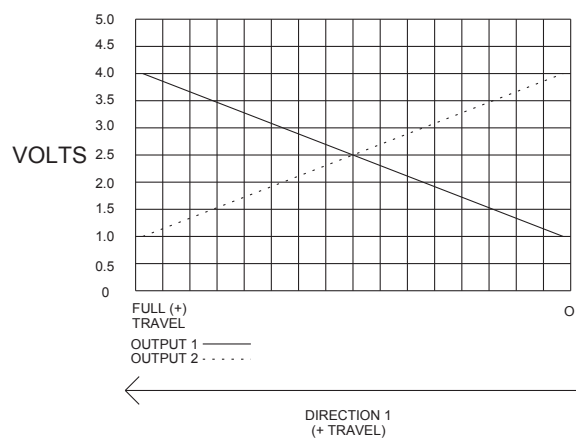
OPTION D



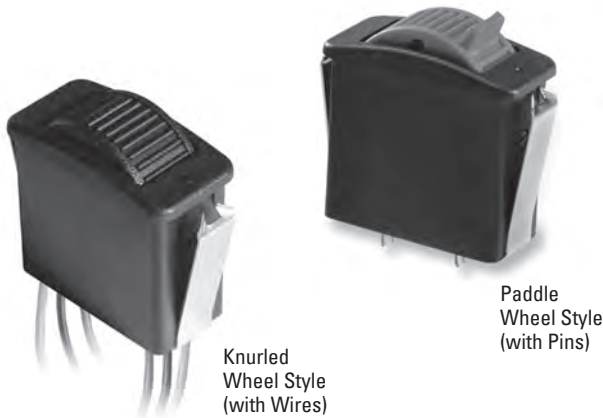
OPTION E



OPTION F



FRICION HOLD ACTUATION STYLE THUMBWHEEL



Knurled Wheel Style (with Wires)

Paddle Wheel Style (with Pins)

The HTWF Friction Hold Thumbwheel offers a maintained position, single axis thumbwheel actuator that provides a linear change in voltage output in either direction from center. Options include increasing or decreasing voltage output from the center position to the full travel position, and single or dual (redundant) outputs per axis. The HTWF Thumbwheel has a rocker style snap-in mounting feature to accommodate a 1.47" x 0.710" panel opening. The HTWF provides 250,000 cycle life, full forward/full backward, is sealed to IP68S and offers excellent EMI/RFI immunity and a flow through design. Ideal for heavy equipment, industrial machines or remote control applications.

Features:

- 250,000 cycle life, full forward/full backward with center detent
- Maintained control positioning, no return to center
- Hall effect contactless sensing technology
- Number of output options
- Choice of bezel & button colors
- Snaps into 1.47" x 0.710" panel opening
- Electronics sealed to IP68S
- Excellent EMI/RFI immunity
- RoHS/WEEE/Reach compliant

Standard Characteristics/Ratings:

MECHANICAL:

Mechanical Life: 250,000 full forward to full back with center detent

Initial Operating Force at Top of Roller: 2 oz min to 6 oz max @ 25°C

Max Allowable Radial Load: 30.0 lbs.

ELECTRICAL RATINGS: Rated at Vcc = 5V @ 25°C Load = 1mA (4.7KΩ)

Electrical	Units	Min	Typ	Max
Supply Voltage	VDC	4.5	5	5.5
Output Voltage Tolerance at Center (see graph for output values)	VDC @ 5V Vcc	-0.15	N/A	+0.15
Output Voltage Tolerance Full Travel (see graph for output values)	VDC @ 5V Vcc	-0.25	N/A	+0.25
Supply Current Per Sensor	mA	N/A	N/A	10

ELECTRONICS:

Seal Integrity: Electronics watertight per IP68S, 1 meter

ENVIRONMENTAL:

Operating Temp Range: -40°C to +85°C

Humidity: 96% RH, 70°C, 96 hours

Vibration: Per MIL-810F minimum integrity

EMI: Withstand per SAE J1113

RFI: Withstand per SAE J1113

MATERIALS:

Button: Thermoplastic

Bezel: Thermoplastic

Snap Arms: Stainless steel

Wires: 18 AWG

HTWF PART NUMBER CODE

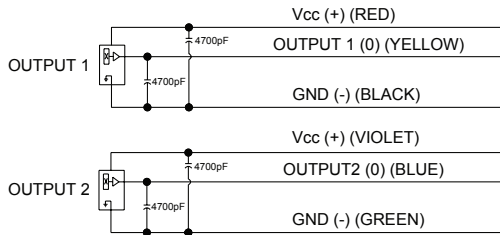
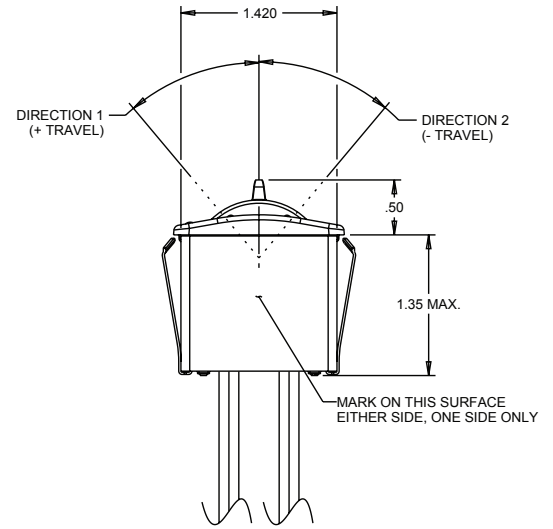
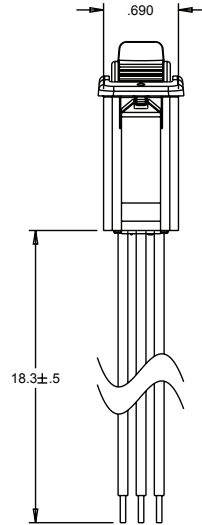
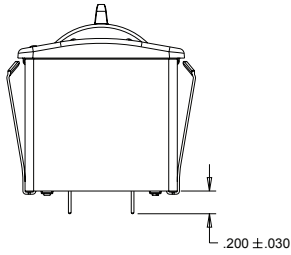
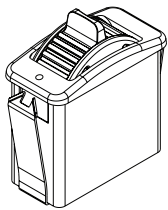
Travel	Output 1	Output 2	Operating Force	Button Style	Termination	Bezel Color	Button Color	Detent (if required)
1. +/- 30°	A. 2.5 +/- 2.0VDC B. 2.5 +/- 2.0VDC C. 2.5 +/- 2.0VDC D. 2.5 +/- 1.5VDC E. 2.5 +/- 1.5VDC F. 2.5 +/- 1.5VDC G. 1.0 - 4.0VDC H. 0.5 - 4.5VDC	NONE 2.5 +/- 2.0VDC 2.5 +/- 2.0VDC NONE 2.5 +/- 1.5VDC 2.5 +/- 1.5VDC 1.0 - 4.0VDC 0.5 - 4.5VDC	1. 4.0 oz.	1. Knurled Wheel 2. Paddle Wheel	A. 18 AWG Wires, 18.3" Long, Stripped Ends B. 0.025" SQ. Pins	1. Red 2. Black 3. Orange 4. Yellow 5. Green 6. Blue 7. Violet 8. Gray 9. White	1. Red 2. Black 3. Orange 4. Yellow 5. Green 6. Blue 7. Violet 8. Gray 9. White	A. Detent 2 oz increase out of center in both directions* * Output options A-F do not have a tolerance on the center outputs unless a center detent is selected. Output options G and H are only available with center detent.

PROPORTIONAL OUTPUT THUMBWHEEL

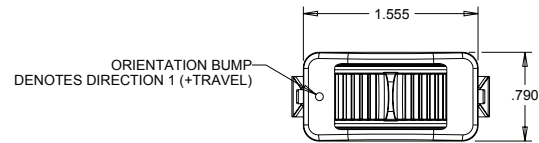
HTWF
HALL EFFECT
THUMBWHEEL

FRICION HOLD ACTUATION STYLE THUMBWHEEL

HTWF - Paddle Wheel Style Thumbwheel Shown



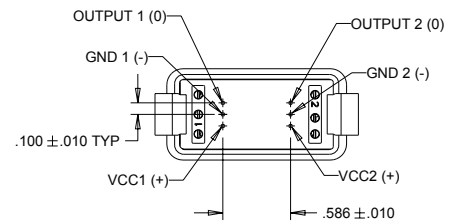
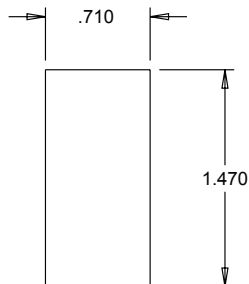
OUTPUT 2 IS NOT PRESENT IN ALL CONFIGURATIONS



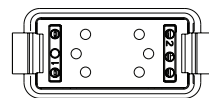
MOUNTING:

RECOMMENDED PANEL THICKNESS: 0.100 OPTIMUM THICKNESS
(0.050 MIN. - 0.120 MAX.)

RECOMMENDED PANEL OPENING: 0.710 X 1.470 OPTIMUM
(0.710/0.720 -1.460/1.480)

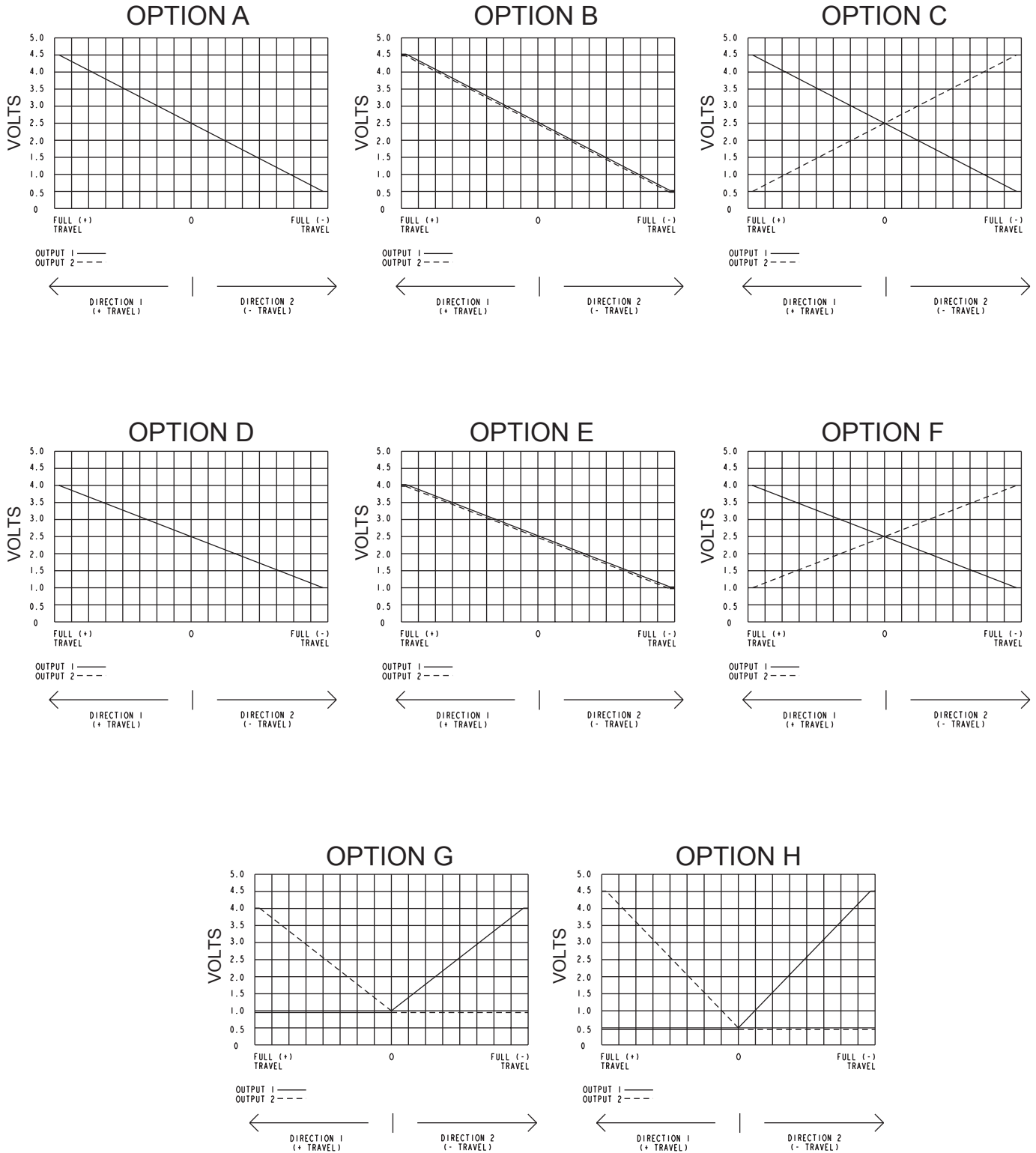


**PINNED
TERMINATION**
NOT ALL PINS ARE PRESENT
IN ALL OUTPUT CONFIGURATIONS



NOT ALL WIRES ARE PRESENT
IN ALL OUTPUT CONFIGURATIONS

FRICION HOLD ACTUATION STYLE THUMBWHEEL



MINI PROPORTIONAL OUTPUT THUMBWHEEL

HTWM
MINIATURE
THUMBWHEEL

SHORTER BEHIND PANEL DEPTH



Knurled
Wheel Style



Paddle
Wheel Style

The HTWM offers the same performance as the standard HTW Proportional Thumbwheel but with a much shorter behind panel depth, ideal for use in grip, armrest and panel applications. Available with eight output options, the HTWM offers a spring-return-to-center, single axis thumbwheel actuator that provides linear change in voltage output in either direction from center. Options include increasing or decreasing voltage output from the center position to the full travel position, and single or dual (redundant) outputs per axis. The HTWM offers snap-in style mounting and a three million cycle rotational life. The HTWM electronics are sealed to IP68S and have excellent EMI/RFI immunity.

Features:

- Shorter behind panel depth: 0.96" max.
- 8 output options
- Spring-return-to-center single axis actuator
- Rocker switch style mounting
- 3 million cycle rotational life
- Electronics sealed to IP68S
- Excellent EMI/RFI immunity
- Tighter center tolerance options
- RoHS/WEEE/Reach compliant

Standard Characteristics/Ratings:				
MECHANICAL:				
Mechanical Life: 3,000,000 full forward to full back				
Max Allowable Radial Load: 30.0 lbs.				
ELECTRICAL RATINGS: Rated at Vcc = 5V @ 25°C Load = 1mA (4.7KΩ)				
Electrical	Units	Min	Typ	Max
Supply Voltage	VDC	4.50	5.00	5.50
Output Voltage Tolerance at Center (A, B, C, D, E, F and G)	VDC @ 5V Vcc	-0.25	N/A	+0.25
Output Voltage Tolerance at Center (J, K, L, M, N and P)	VDC @ 5V Vcc	-0.15	N/A	+0.15
Output Voltage Tolerance at Full Travel	VDC @ 5V Vcc	-0.25	N/A	+0.25
Supply Current Per Sensor	mA	N/A	N/A	10
ELECTRONICS:				
Seal Integrity:	Electronics IP68S			
ENVIRONMENTAL:				
Operating Temp Range:	-40°C to +85°C			
Humidity:	96% RH, 70°C, 96 hours			
Vibration:	Per MIL-810F minimum integrity			
EMI:	Withstand per SAE J1113			
RFI:	Withstand per SAE J1113			
MATERIALS:				
Button:	Thermoplastic			
Bezel:	Thermoplastic			
Wires:	18 AWG			

SHORTER BEHIND PANEL DEPTH

HTWM PART NUMBER CODE

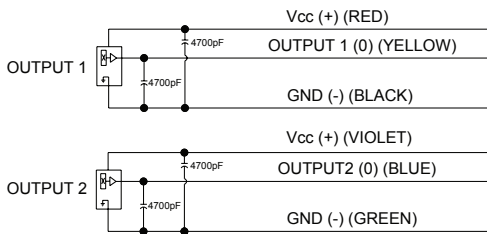
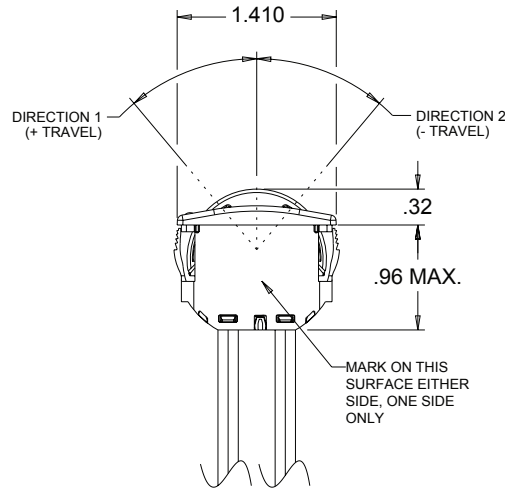
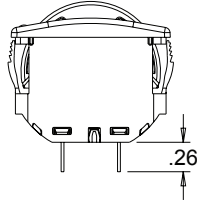
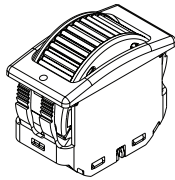
HTWM	-	X	X	X	X	X	X	X
Travel								
1. +/- 40°								
Output 1*			Output 2**		Operating Force		Button Style	
A. 2.5 +/- 2.0VDC			NONE	1. 5.0 oz.	1. Knurled Wheel	Termination	Bezel Color	Button Color
B. 2.5 +/- 2.0VDC			2.5 +/- 2.0VDC		2. Paddle Wheel	A. 18 AWG Wires, 18.3" Long, Stripped Ends	1. Red	1. Red
C. 2.5 +/- 2.0VDC			2.5 +/- 2.0VDC			B. 0.025" SQ. Pins	2. Black	2. Black
D. 2.5 +/- 1.5VDC			NONE				3. Orange	3. Orange
E. 2.5 +/- 1.5VDC			2.5 +/- 1.5VDC				4. Yellow	4. Yellow
F. 2.5 +/- 1.5VDC			2.5 +/- 1.5VDC				5. Green	5. Green
G. 1.0 - 4.0VDC			1.0 - 4.0VDC				6. Blue	6. Blue
H. 0.5 - 4.5VDC			0.5 - 4.5VDC				7. Violet	7. Violet
J. 2.5 +/- 2.0VDC			NONE***				8. Gray	8. Gray
K. 2.5 +/- 2.0VDC			2.5 +/- 2.0VDC***				9. White	9. White
L. 2.5 +/- 2.0VDC			2.5 +/- 2.0VDC***					
M. 2.5 +/- 1.5VDC			NONE***					
N. 2.5 +/- 1.5VDC			2.5 +/- 1.5VDC***					
P. 2.5 +/- 1.5VDC			2.5 +/- 1.5VDC***					

* Outputs are from the center position to the full travel position in each direction. Options A-F provide increasing voltage in Direction 1 and decreasing voltage in Direction 2 from a single output. Options G and H provide increasing voltages in both directions from two separate outputs.

** Options B and E provide redundant output 2 which duplicates output 1. Options C and F provide redundant output 2 which is inverse of output 1.

*** Options J, K, L, M, N and P are identical to options A, B, C, D, E and F respectively, except with a tighter center tolerance.

HTWM Knurled Wheel Style Thumbwheel Shown



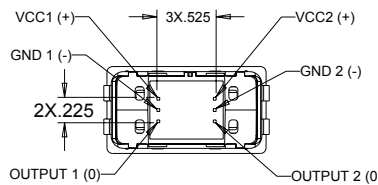
OUTPUT 2 IS NOT PRESENT IN ALL CONFIGURATIONS

MOUNTING:

RECOMMENDED PANEL THICKNESS: 0.150 OPTIMUM THICKNESS
(0.040 MIN. - 0.200 MAX.)

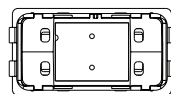
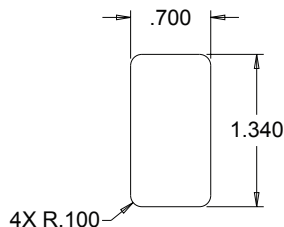
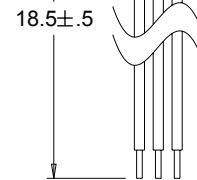
RECOMMENDED PANEL OPENING: 0.700 X 1.340 OPTIMUM
(0.695/0.705 X 1.335/1.345)

RECOMMENDED PANEL RADII: 0.100 OPTIMUM
(0.090 - 0.110 MAX.)

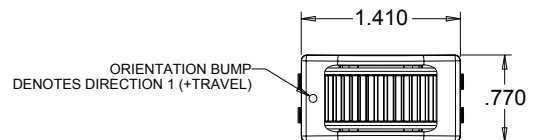


PINNED TERMINATION

NOT ALL PINS ARE PRESENT
IN ALL OUTPUT CONFIGURATIONS



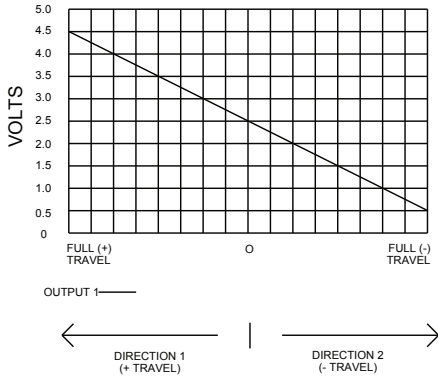
NOT ALL WIRES ARE PRESENT
IN ALL OUTPUT CONFIGURATIONS



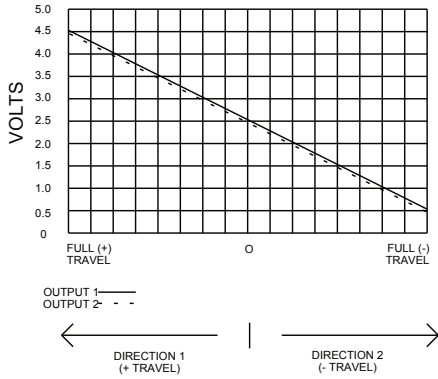
MINI PROPORTIONAL OUTPUT THUMBWHEEL

SHORTER BEHIND PANEL DEPTH

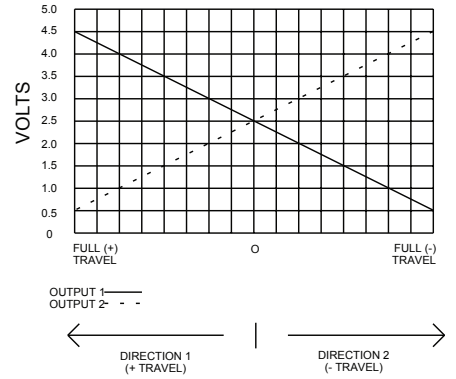
OPTION A & J



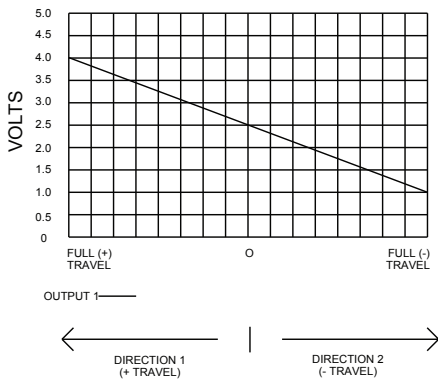
OPTION B & K



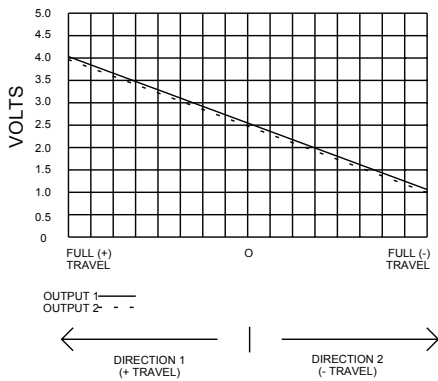
OPTION C & L



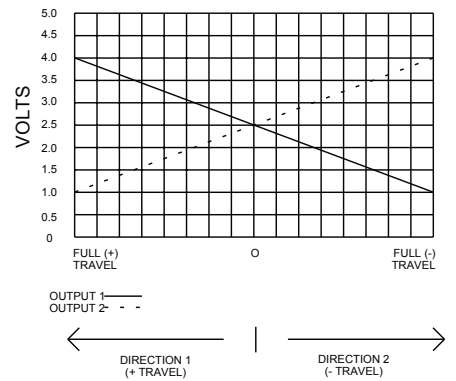
OPTION D & M



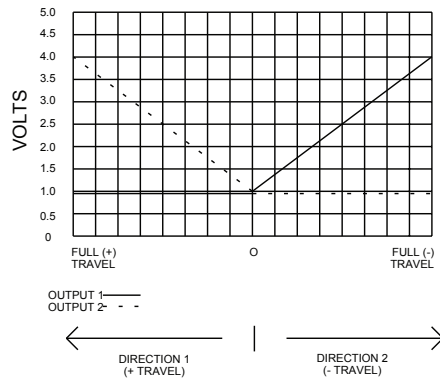
OPTION E & N



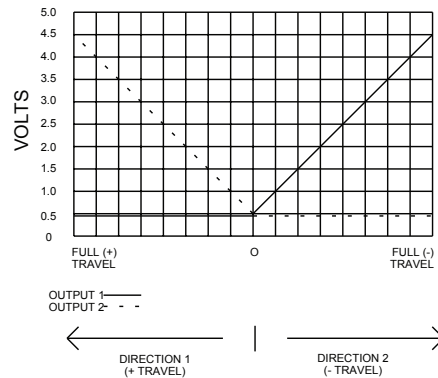
OPTION F & P



OPTION G



OPTION H



PROPORTIONAL OUTPUT HALL EFFECT MINI THUMBWHEEL



Knurled Wheel



Paddle Wheel

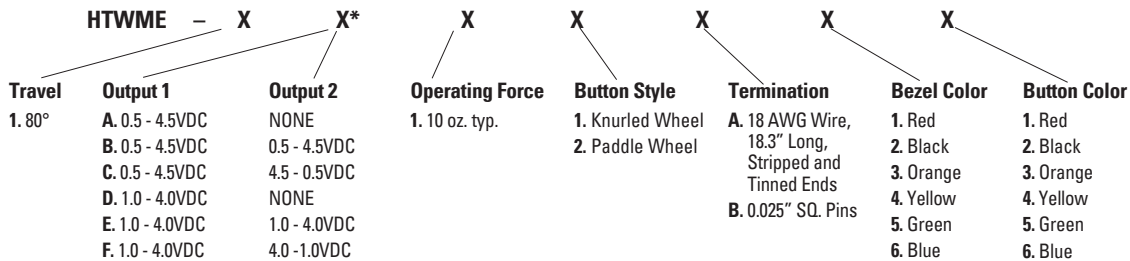
The HTWME offers the same performance as the standard HTWE single axis, proportional output thumbwheel, but has a much shorter behind panel depth. With a panel depth of 0.96" max., the HTWME is ideal for panel or armrest mountings, or can be incorporated into one of OTTO's joysticks. The HTWME provides snap-in style mounting, and also utilizes non-contact Hall effect technology, which accounts for a one million cycle life. It also has excellent EMI/RFI shielding. Configuration options include a choice of six linear voltage outputs.

Features:

- Return to end single axis actuator
- Shorter behind panel depth: 0.96"
- Knurled & Paddle style actuators
- Wire or pinned termination options
- Variety of button & bezel colors
- 6 output options
- Easy snap-in mounting
- 1 million cycle rotational life
- Electronics sealed to IP68S
- Excellent EMI/RFI immunity
- RoHS/WEEE/Reach compliant

Standard Characteristics/Ratings:				
MECHANICAL:				
Mechanical Life: 1,000,000 full forward to full back				
Max Allowable Radial Load: 30.0 lbs.				
ELECTRICAL RATINGS: Rated at 5V @ 25°C Load = 1mA (4.7KΩ)				
Electrical	Units	Min	Typ	Max
Supply Voltage	VDC	4.5	5.0	5.5
Output at Rest	VDC @ 5V Vcc	-.25	N/A	+.25
Output at Full Travel	VDC @ 5V Vcc	-.25	N/A	+.25
Supply Current Per Sensor	mA	N/A	N/A	10
ELECTRONICS:				
Seal Integrity:	Electronics IP68S			
ENVIRONMENTAL:				
Operating Temp Range:	-40°C to +85°C			
Humidity:	96% RH, 70°C, 96 hours			
Vibration:	Per MIL-810F minimum integrity			
EMI:	Withstand per SAE J1113			
RFI:	Withstand per SAE J1113			
MATERIALS:				
Button:	Thermoplastic			
Bezel:	Thermoplastic			
Snap Arms:	Thermoplastic			
Wires:	18 AWG			

HTWME RETURN TO END MINIATURE THUMBWHEEL PART NUMBER CODE



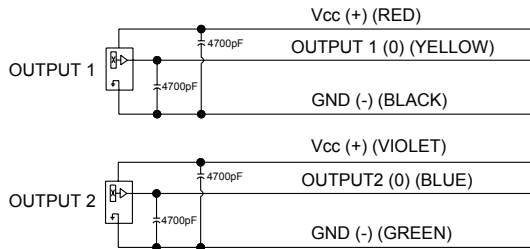
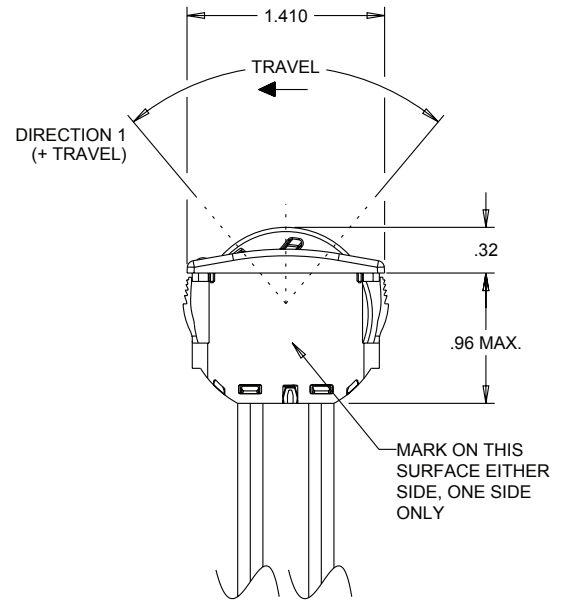
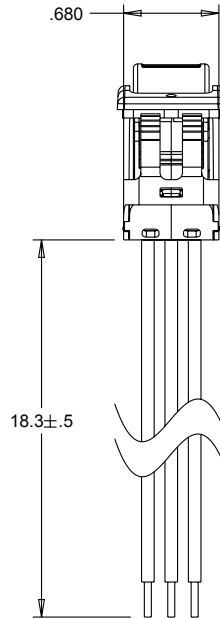
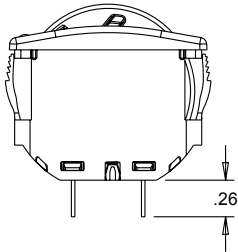
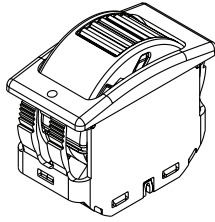
* Output options B and E provide redundant output 2 which duplicates output 1. Output options C and F provide redundant output 2 which is inverse output 1.

RETURN TO END MINI THUMBWHEEL

HTWME
MINIATURE
THUMBWHEEL

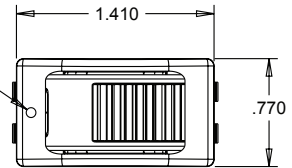
SHORTER BEHIND PANEL DEPTH

HTWM Knurled Wheel Style Thumbwheel Shown



OUTPUT 2 IS NOT PRESENT IN ALL CONFIGURATIONS

ORIENTATION BUMP
DENOTES DIRECTION 1 (+TRAVEL)

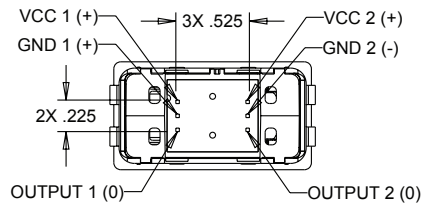
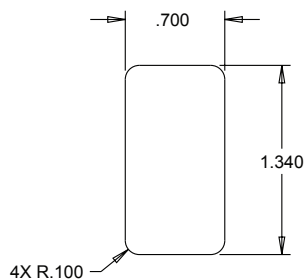


MOUNTING:

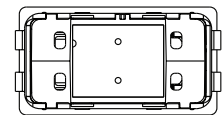
RECOMMENDED PANEL THICKNESS: 0.150 OPTIMUM THICKNESS
(0.040 MIN. - 0.200 MAX.)

RECOMMENDED PANEL OPENING: 0.700 X 1.340 OPTIMUM
(0.695/0.705 X 1.335/1.345)

RECOMMENDED PANEL RADII: 0.100 OPTIMUM
(0.090 - 0.110 MAX.)



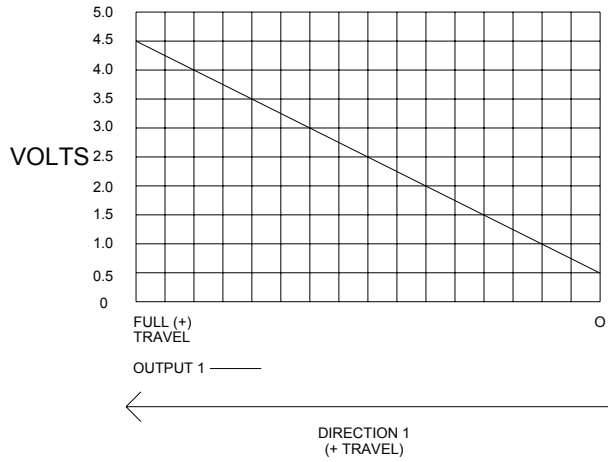
**PINNED
TERMINATION**
NOT ALL PINS ARE PRESENT
IN ALL OUTPUT CONFIGURATIONS



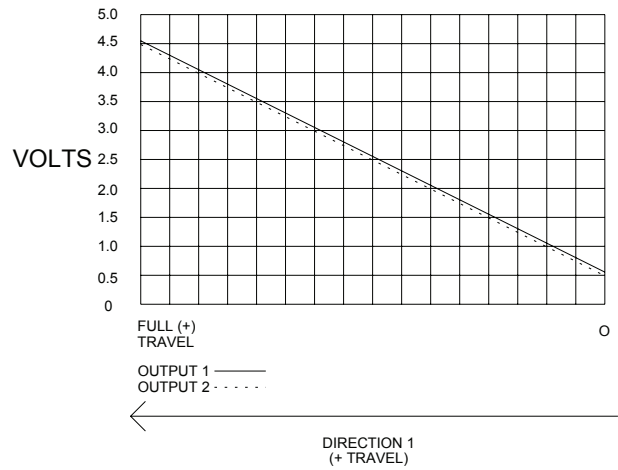
NOT ALL WIRES ARE PRESENT
IN ALL OUTPUT CONFIGURATIONS

SHORTER BEHIND PANEL DEPTH

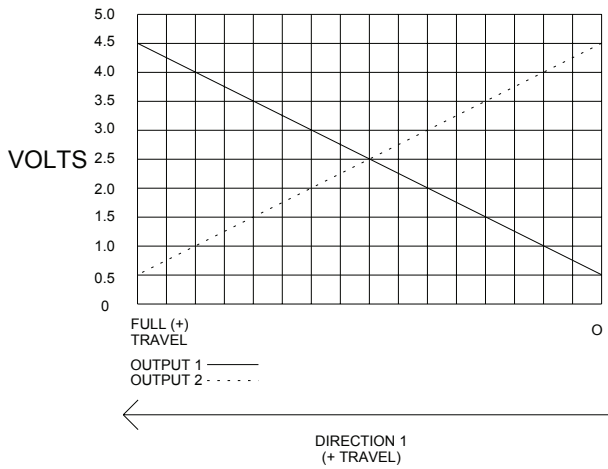
OPTION A



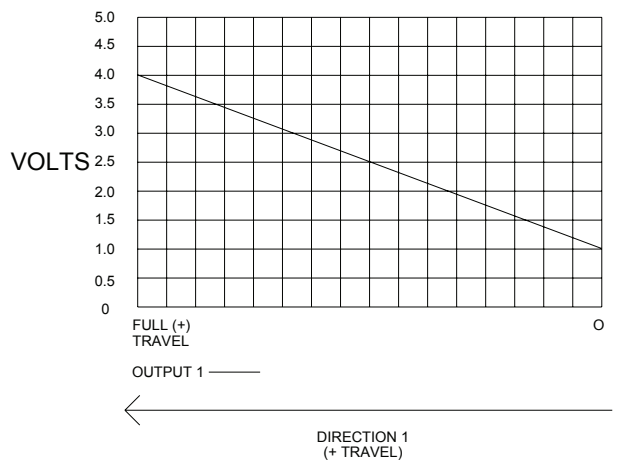
OPTION B



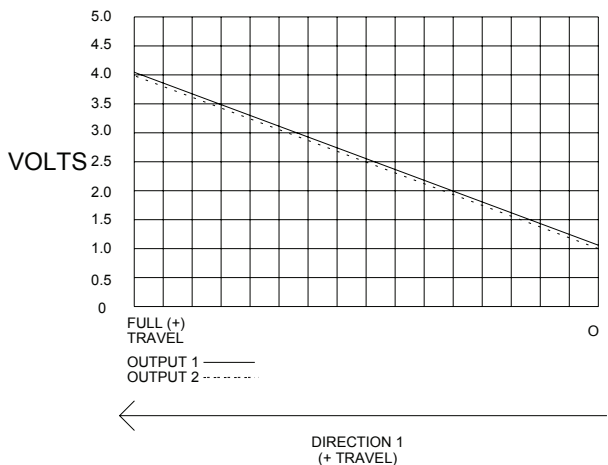
OPTION C



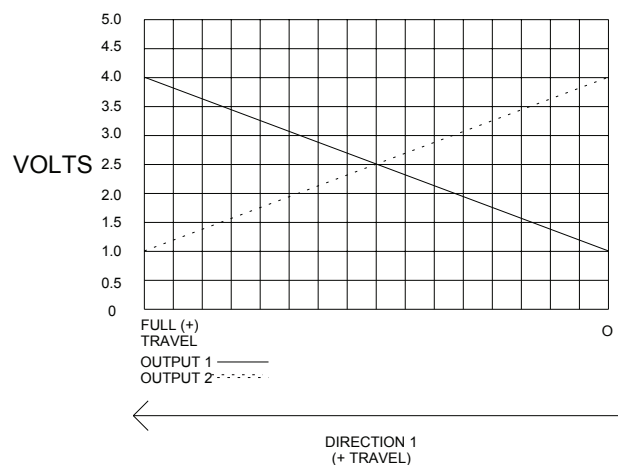
OPTION D



OPTION E



OPTION F



HALL EFFECT TECHNOLOGY JOYSTICK

The JH Series Joystick is designed around the rugged mechanism of a traditional 4-way hydraulic joystick, but it utilizes contactless Hall effect technology for increased life and more dependable performance in the field. This combination provides performance and features never before available in an electronic joystick. The JH series uses OTTO's field-proven dual magnet configuration found in OTTO's HPL Linear Output Hall Effect switches. The Hall effect sensors are fully protected against electromagnetic and radio frequency interference (EMI and RFI) up to 100V/M. Programmable sensors with built-in magnetic temperature compensation logic ensure consistent and repeatable operation. The JH series is designed for maximum flexibility in features and in tactile feel. A wide variety of input and output configurations are available to satisfy different applications. The modular electronic package can be configured for both standard and custom I/O requirements including CANbus and other output options available.

Features:

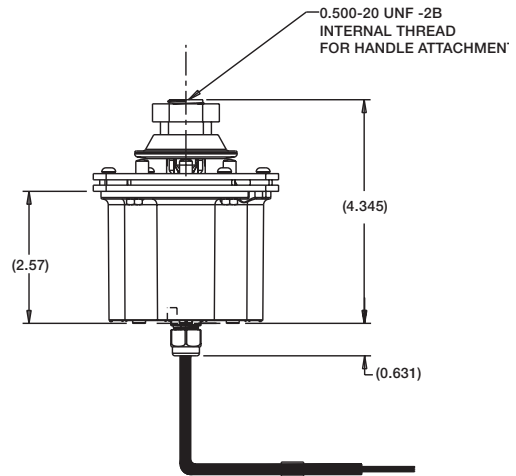
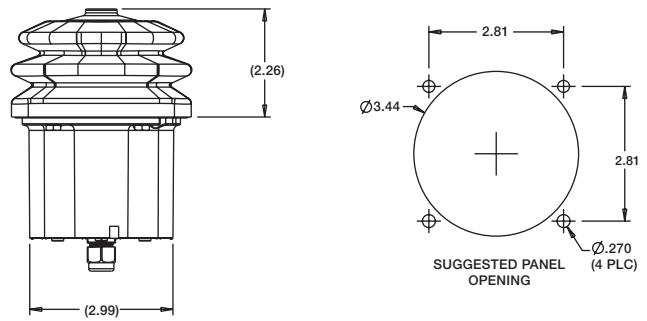
- **Adapts to a wide variety of shaft styles**
- **15 million cycle life in all directions**
- **300 lbs. static load strength at grip reference point (grp)**
- **Electronics sealed to IP68S**
- **Excellent EMI/RFI shielding**
- **Factory programmable pretravel & overtravel**
- **Analog, CANbus, USB & other custom output options available**
- **Redundant outputs available**
- **Fail safe & neutral indicator available**
- **Single and dual axis available**
- **Z axis available with universal grip only**
- **Programmable sensors**
- **5V standard regulator available to accommodate a 9-32VDC power supply**
- **Various output configurations**
- **Available with a variety of grip & switch options**
- **RoHS/WEEE/Reach compliant**



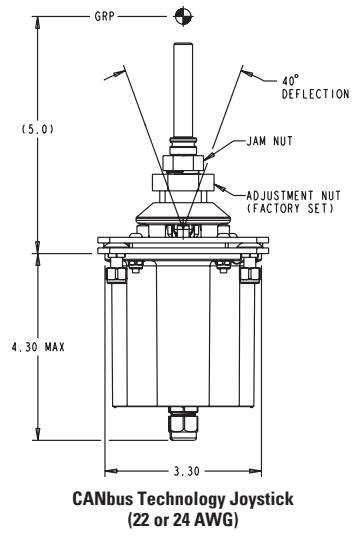
JH Joystick Shown with OTTO Medium Universal Grip, K1 Rockers and P3 Pushbutton Switches

HALL EFFECT TECHNOLOGY JOYSTICK

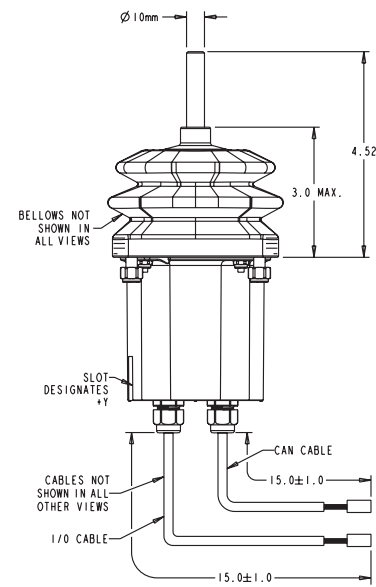
Standard Characteristics/Ratings:					
GENERAL:					
Sensor Type:	Hall effect analog, 1 or 2 outputs per axis				
Design:	Dual magnet				
ELECTRICAL RATINGS: Rated at 5V @ 20°C Load = 1ma (4.7kΩ)					
Electrical	Units	Min	Typ	Max	
Output Voltage 0° to 2° Deflection Tolerance at Center @ 5V Vcc	VDC	-0.15	N/A	+0.15	
Output Voltage 19° to 20° Deflection Tolerance at Full Load @ 5V Vcc	VDC	-0.15	N/A	+0.15	
Supply Current Per Sensor	mA	N/A	N/A	10	
Output Source Current Limit	mA	-1	N/A	1	
MECHANICAL:					
Mechanical Life:	5,000,000 min. up to 15,000,000 in all directions depending on configuration				
Travel Angle:	20° typical				
Operating Force:	With bellows, 20°C to 85°C at grip, 1 lbs. min to 7 lbs. max With bellows, -40°C at grip, 13.0 lbs. min to 18.0 lbs. max				
ENVIRONMENTAL:					
Operating Temp Range:	-40°C to +85°C				
Humidity:	96% RH, 70°C, 96 hours				
Vibration:	10g, 10Hz to 2KHz swept sinusoidal				
Electronics:	Sealed to IP68S				
EMI/RFI:	Withstand per SAE J1113 (typical), contact factory for details				
Sand/Dust:	Without bellows, withstand per SAE J1455				
MATERIALS:					
Housing:	Polyester				
Bellows:	EPDM, black				
Cable:	22 AWG (19 strands of 34 AWG TSC)				
Mounting Hardware:	1/4-20 x 3/4 carriage bolts, self-locking nuts				



Hall Joystick



CANbus Technology Joystick
(22 or 24 AWG)



MEDIUM HALL EFFECT JOYSTICK

UP TO 10 MILLION OPERATIONAL CYCLES IN ALL DIRECTIONS



JHM with Center P9 Switch



JHM with Hall Effect Rocker

The JHM series Medium Hall Effect Joystick is a full function operator control in a package that will fit in an armrest or on a panel. It utilizes OTTO's patented Hall effect technology for unmatched life and reliability. Electronics are sealed and it has an operational life of ten million cycles in all directions. Additional options include CANopen® and CAN J1939 versions, multiple analog and digital auxiliary control outputs, redundant sensors and a variety of output configurations, along with a variety of grip and switch options.

Features:

- **Designed for armrest & panel mounting**
- **Proven contactless analog output Hall effect technology**
- **Electronics sealed to IP68S**
- **Up to 10 million operational cycles in all directions**
- **Available with a variety of grip & switch options**
- **Redundant sensors available**
- **Various output configurations**
 - CANopen®
 - CAN J1939
 - USB
 - Serial
 - Analog
- **5V standard, 12V & 24V available**
- **Also available in gated and frictional travel versions**
- **RoHS/WEEE/Reach compliant**

Standard Characteristics/Ratings:

GENERAL:

Sensor Type: Hall effect analog, factory programmed with temperature compensation, and ground and supply line break detection, over voltage and reverse voltage protection options.

Design: Contactless sensing

Magnet: Dual bar permanent magnet

ELECTRICAL RATINGS: Rated at 5V @ 20°C Load = 1ma (4.7kΩ)

Electrical	Units	Min	Typ	Max
Supply Voltage	VDC	4.5	5	5.5
Output Voltage Tolerance +Y, -Y, +X, -X 0° Deflection	VDC @ 5V Vcc	-0.25	N/A	+0.25
Output Voltage Tolerance at Full Travel +Y, -Y, +X, -X Direction	VDC @ 5V Vcc	-0.25	N/A	+0.25
Supply Current Per Sensor	mA	N/A	N/A	10
Output Source Current Limit	mA	-1	N/A	1

MECHANICAL:

Mechanical Life: In all directions, 1,000,000 cycles min up to 10,000,000 cycles depending on configuration

Travel Angle: 18° min to 22° max

Operating Force: With bellows, 20°C to 85°C at grip 0.5 lb. min to 3.5 lbs. max

ENVIRONMENTAL:

Operating Temp Range: Low force -20°C to +85°C
High force -40°C to +85°C

Electronics: Sealed to IP68S

RFI: Withstand per SAE J1113

EMI: Withstand per SAE J1113

MATERIALS:

Housing: Thermoplastic, black

Bellows: Neoprene or silicone, black

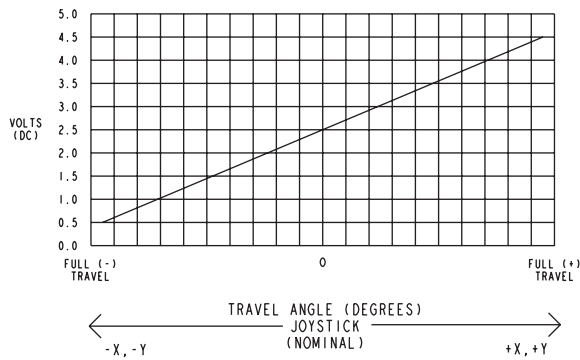
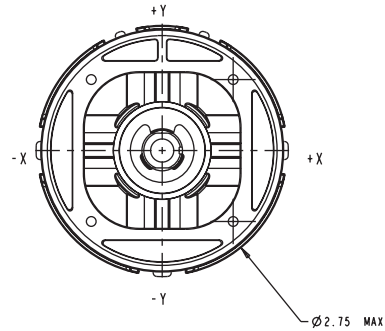
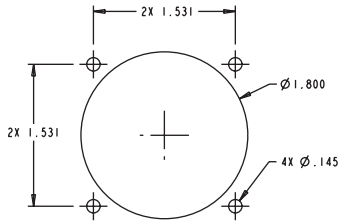
Wires: Per customer application

Mounting Hardware: Panhead screws

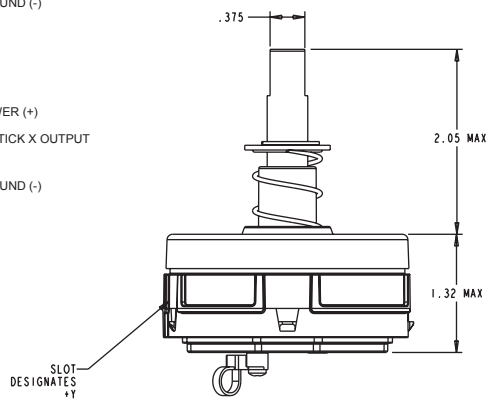
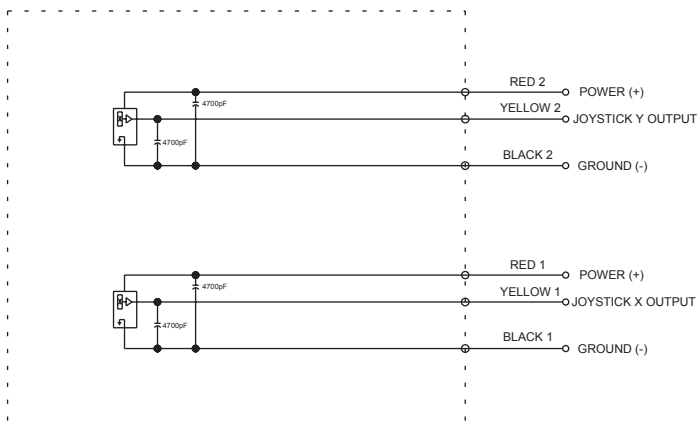
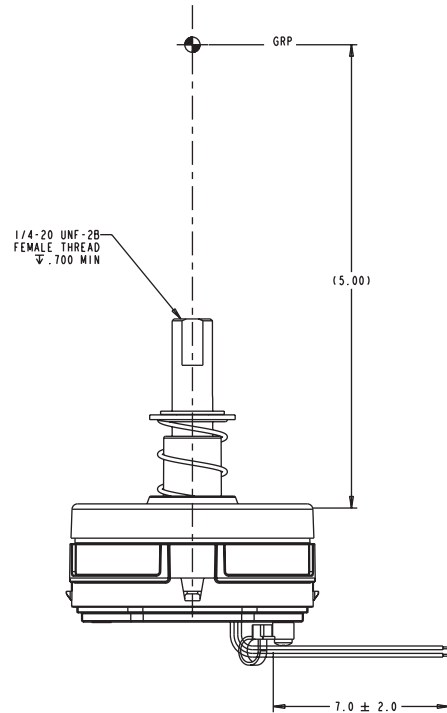
MEDIUM HALL EFFECT JOYSTICK

UP TO 10 MILLION OPERATIONAL CYCLES IN ALL DIRECTIONS

SUGGESTED PANEL OPENING:
RECOMMENDED PANEL THICKNESS: .050 TO .150



Shown is an example of one output per axis configuration. For additional output configurations, contact factory. Redundant sensors are available, please contact factory.



SINGLE AXIS JOYSTICK WITH FRICTION HOLD

SINGLE AXIS HALL EFFECT JOYSTICK WITH FRICTION HOLD



The JHS-F0001 is a single axis, friction hold joystick that was designed for the construction equipment and off-road vehicle market. The key feature of the JHS-F0001 joystick is that the lever does not return to center when released. Designed for use in applications where the output is used to control the speed or direction of the machine or mechanism, allowing the operator to set the speed of movement to focus on steering or other tasks. Favored for its compact size, strength and reliability, the JHS-F0001 is manufactured with non-contacting Hall effect sensors; the electronics are sealed to IP68S. It offers excellent resistance to RFI and EMI per SAE J1113; standard 0.5 to 4.5VDC proportional output and a mechanical life of 500,000 cycles.

Features:

- **Rugged compact design**
- **Hall effect contactless sensing**
- **Electronics sealed to IP68S**
- **Excellent proportional control**
- **Outstanding EMI/RFI immunity**
- **Redundant output available**
- **RoHS/WEEE/Reach compliant**

Standard Characteristics/Ratings:

ELECTRICAL RATINGS: Rated at 5V @ 20°C Load = 1ma (4.7kΩ)

Electrical				
	Units	Min	Typ	Max
Supply Voltage	VDC	4.5	5	5.5
Output Tolerance at Full Travel Direction 1 (+ Travel)	VDC @ 5V Vcc	-.25	N/A	+.25
Output Tolerance at Full Travel Direction 2 (- Travel)	VDC @ 5V Vcc	-.25	N/A	+.25
Supply Current Per Sensor (B = 0, Vcc = 5V, Io = 0)	mA	N/A	N/A	10

ELECTRONICS:

Seal Integrity: Electronics watertight per IP68S

MECHANICAL:

Mechanical Life:	500,000 cycles
Travel Angle:	25° typical, 24° min to 26° max
Operating Force:	3.5 lbs. typical, 2.0 lbs. min to 5.0 lbs. max

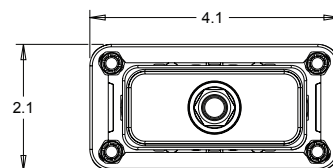
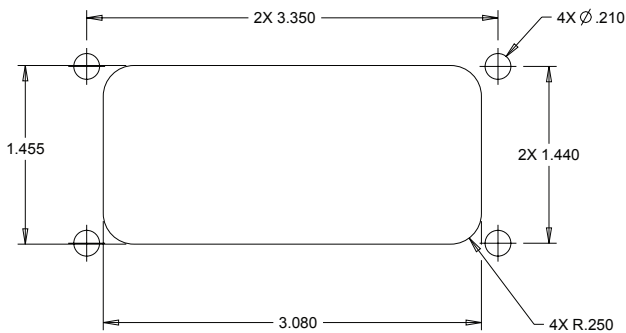
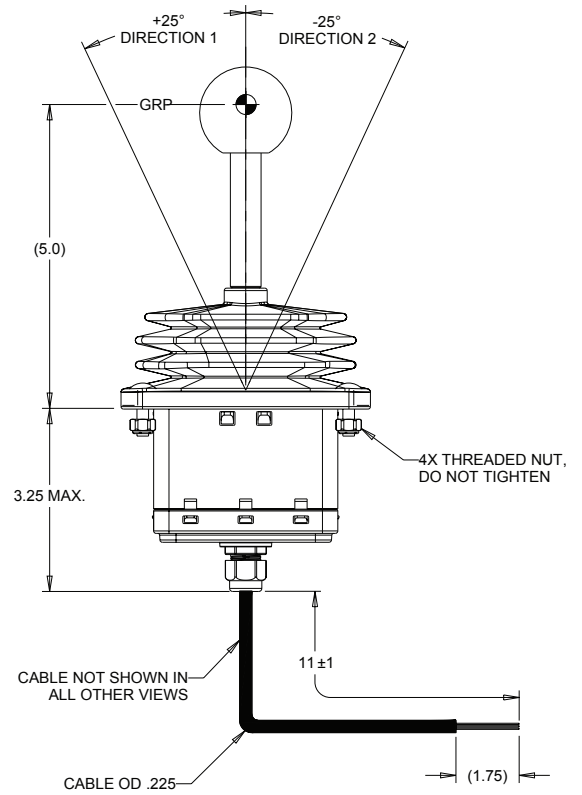
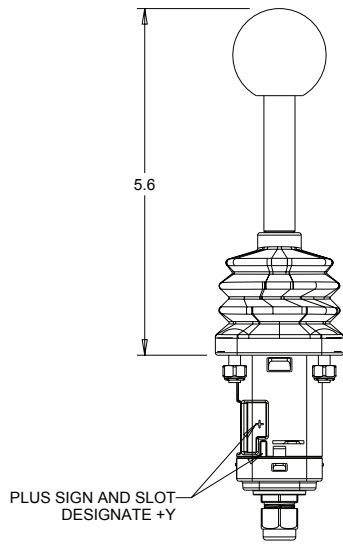
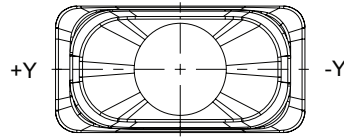
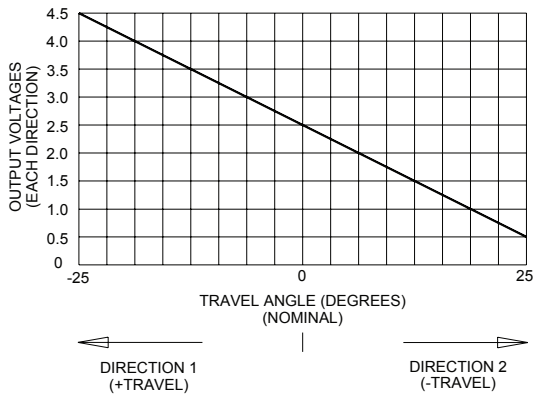
ENVIRONMENTAL:

Operating Temp Range:	-40°C to +85°C
Humidity:	96% RH, 70°C, 96 hours
Vibration:	Per MIL-810F min integrity
RFI:	Withstand per SAE J1113
EMI:	Withstand per SAE J1113

MATERIALS:

Basic Handle:	Polyphenylene Blend
Housing:	Thermoplastic
Bellows:	EPDM, black (typical)
Cable:	3/22 AWG (19 strands of 34 AWG TSC) PVC/Polyurethane blend outer jacket
Mounting Hardware:	10-24 x 3/4 carriage bolts, self-locking nuts

SINGLE AXIS HALL EFFECT JOYSTICK WITH FRICTION HOLD



SINGLE AXIS RETURN TO CENTER JOYSTICK

SINGLE AXIS HALL EFFECT JOYSTICK WITH RETURN TO CENTER FEATURE



The JHS-RC0001 is a high reliability single axis, spring-return-to-center joystick, resistant to the levels of temperature, shock, vibration and EMI/RFI typically found in off-highway construction environments. The contactless Hall effect sensor eliminates many of the failures associated with traditional joystick technology. The JHS-RC has been tested to four million cycles with no sign of boot wear and no degradation of electrical performance. The electronics are sealed to IP68S. It offers resistance to RFI and EMI per SAE J1113; standard 0.5 to 4.5VDC proportional output. The JHS-RC is recommended for the construction and off-road vehicle market.

Features:

- Rugged compact design
- Hall effect contactless sensing
- Tested to 4 million cycles
- Smooth spring return to center
- +/- 25° travel in a rugged housing
- Outstanding EMI/RFI immunity
- Redundant output available
- RoHS/WEEE/Reach compliant

Standard Characteristics/Ratings:

ELECTRICAL RATINGS: Rated at 5V @ 20°C Load = 1ma (4.7kΩ)

Electrical

	Units	Min	Typ	Max
Supply Voltage	VDC	4.5	5	5.5
Output Tolerance at Full Travel Direction 1 (+ Travel)	VDC @ 5V Vcc	-0.25	N/A	+0.25
Output Tolerance at Full Travel Direction 2 (- Travel)	VDC @ 5V Vcc	-0.25	N/A	+0.25
Output Tolerance at Center	VDC @ 5V Vcc	-0.25	N/A	+0.25
Supply Current Per Sensor (B = 0, Vcc = 5V, Io = 0)	mA	N/A	N/A	10

ELECTRONICS:

Seal Integrity: Electronics watertight per IP68S

MECHANICAL:

Mechanical Life:	4 million cycles
Travel Angle:	25° typical, 24° min to 26° max
Operating Force:	2.5 lbs. typical, 1.5 lbs. min to 3.5 lbs. max

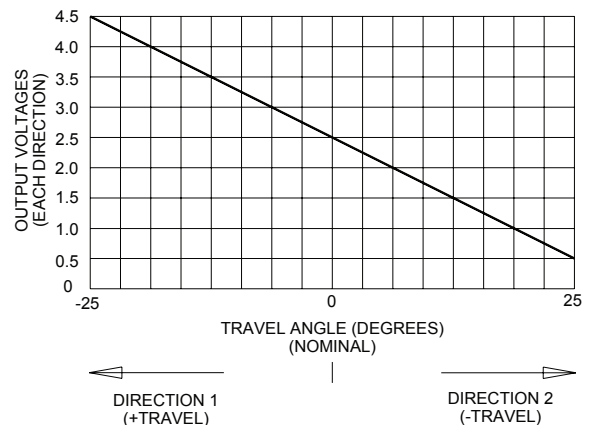
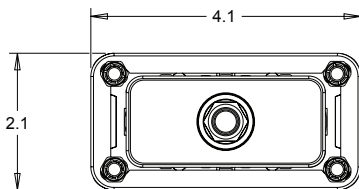
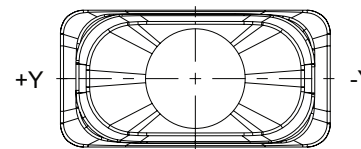
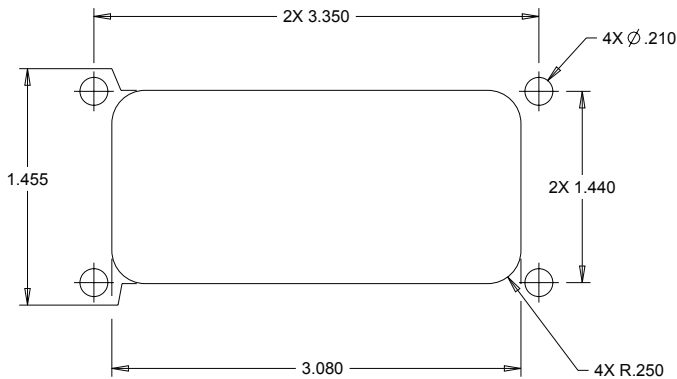
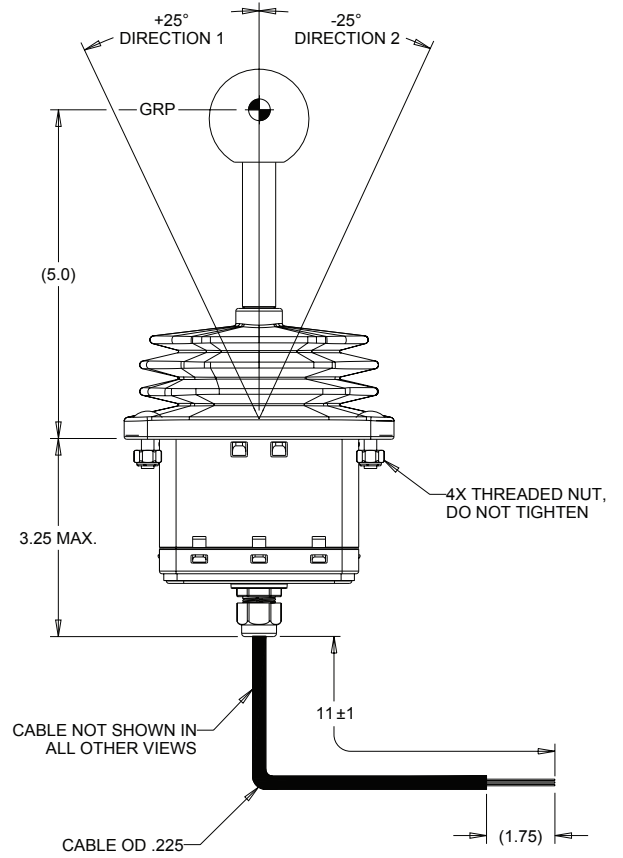
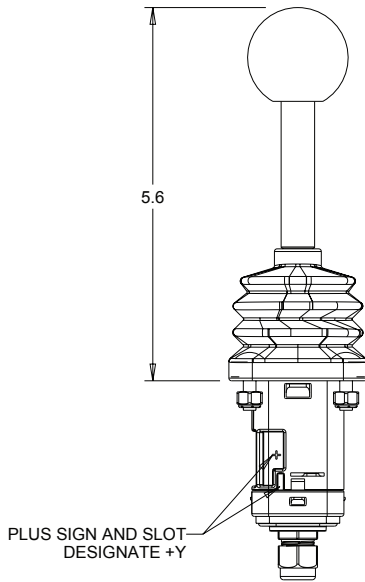
ENVIRONMENTAL:

Operating Temp Range:	-40°C to +85°C
Humidity:	96% RH, 70°C, 96 hours
Vibration:	Per MIL-810F min integrity
RFI:	Withstand per SAE J1113
EMI:	Withstand per SAE J1113

MATERIALS:

Housing:	Thermoplastic
Bellows:	EPDM, black (typical)
Cable:	3/22 AWG (19 strands of 34 AWG TSC) PVC/Polyurethane blend outer jacket
Mounting Hardware:	10-24 x 3/4 carriage bolts, self-locking nuts

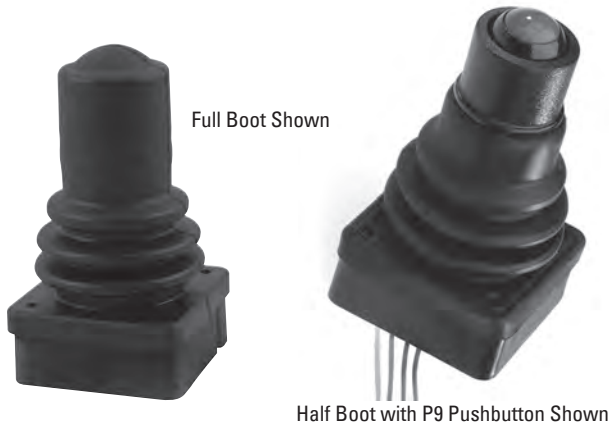
SINGLE AXIS HALL EFFECT JOYSTICK WITH RETURN TO CENTER FEATURE



MINIATURE HALL EFFECT JOYSTICK

JHT
MINI
JOYSTICK

COMPACT DESIGN



Full Boot Shown

Half Boot with P9 Pushbutton Shown

The JHT miniature series Hall Effect joystick's compact design and robust construction is the ideal solution where space is limited and precision control is required. Ideal applications include: robotics, construction equipment, hydraulic controls, medical and surgery equipment, security and surveillance video cameras. The JHT has been tested to five million cycles with no degradation of electrical performance or boot wear. Electronics are sealed to IP68S and the EMI/RFI withstand are per SAE J1113 specifications.

Features:

- Compact design excellent for armrest & panel mounting
- Proven contactless analog output Hall effect technology
- 5 million operational cycles in all directions
- Electronics sealed per IP68S
- Single or omni-directional
- Optional pushbutton switch(es) available
- RoHS/WEEE/Reach compliant

Standard Characteristics/Ratings:

GENERAL:

Sensor Type:	Hall effect analog, factory programmed ground and supply line break detection; over voltage and reverse voltage protection
Design:	Contactless sensing

ELECTRICAL RATINGS: Rated at Vcc = 5V @ 20°C Load = 1ma (4.7KΩ)

Electrical	Units	Min	Typ	Max
Supply Voltage	VDC	4.5	5	5.5
Output Voltage Tolerance at Center	VDC @ 5V Vcc	-0.25	N/A	+0.25
Output Voltage Tolerance Full Travel	VDC @ 5V Vcc	-0.25	N/A	+0.25
Supply Current* (B = 0, Vcc = 5V, Io = 0)	mA	N/A	10	12
Output Impedance	kΩ	N/A	1	N/A

*Single output per axis. Dual output per axis available. Supply current 20mA typical.

MECHANICAL:

Joystick Mechanical Life:	5,000,000 cycles in all directions
P9 Mechanical Life:	1,000,000 cycles
Travel Angle:	18° min to 22° max, 20° typical
Overtravel Angle:	0.5° min to 1.5° max, 1° typical
Joystick Operating Force:	With bellows, at grip 0.5 lb. min to 1.5 lbs. max over temperature range
P9 Operating Force:	@20°C 8 oz min to 16 oz max, 12 oz typical

ENVIRONMENTAL:

Operating Temp Range:	-40°C to +85°C
Seal:	Electronics seal to IP68S
RFI/EMI:	Withstand per SAE J1113

MATERIALS:

Housing:	Thermoplastic, black
Bellows:	Silicone, black. Additional materials available, contact factory.

JHT PART NUMBER CODE

JHT	XX	X	X	XX	X	X	P9 Button Color**
Switch/Boot Style	Gating*	Operating Force	Output 1	Output 2	Termination		
11. With P9 Pushbutton & Full Boot	1. Gated: Single axis – Return to Center	1. 1 lb	AA. 2.5 +/- 2.0VDC	NONE	1. 24 AWG Wire Leads	N. None	
12. With P9 Pushbutton & Half Boot	2. Gated: Two axis – Return to Center		BB. 2.5 +/- 2.0VDC	2.5 +/- 2.0VDC		1. Red	
21. Without Pushbutton & with Full Boot	3. Omni-directional; Round Smooth Feel		CC. 2.5 +/- 2.0VDC	2.5 +/- 2.0VDC		2. Black	
	4. Omni-directional; Round On-Axis and Off-Axis Guided Feel		DD. 2.5 +/- 1.5VDC	NONE		3. Orange	
	5. Omni-directional; Round On-Axis Guided Feel		EE. 2.5 +/- 1.5VDC	2.5 +/- 1.5VDC		4. Yellow	
			FF. 2.5 +/- 1.5VDC	2.5 +/- 1.5VDC		5. Green	
			GG. 0.5 - 4.5VDC	0.5 - 4.5VDC		6. Blue	
			HH. 1.0 - 4.0VDC	1.0 - 4.0VDC		7. Purple	
			JJ. SPI, 3.3V Supply***	NONE		8. Gray	
			KK. SPI, 5V Supply***	NONE		9. White	

*Gated = Restricted movement in XY axis only. Gating icons appear on page 89.

**Applies only to half boot with pushbutton option.

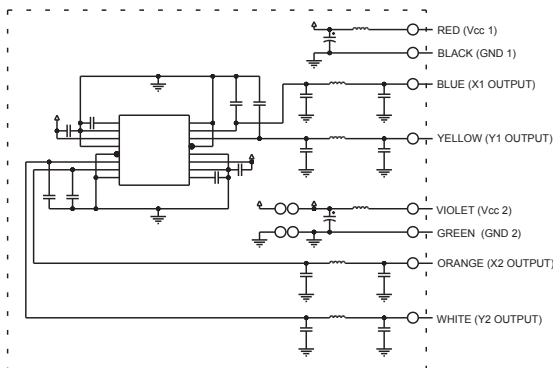
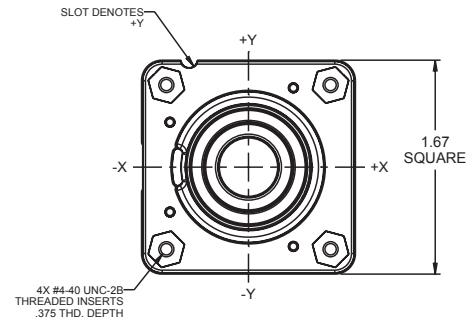
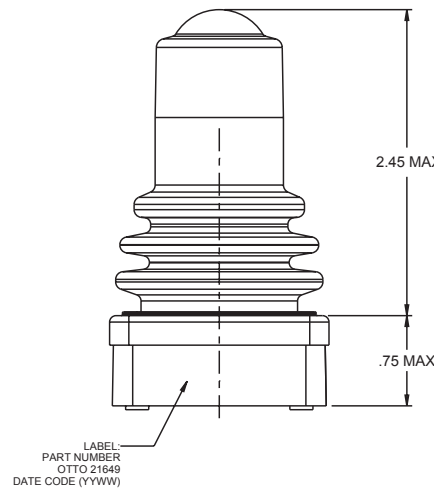
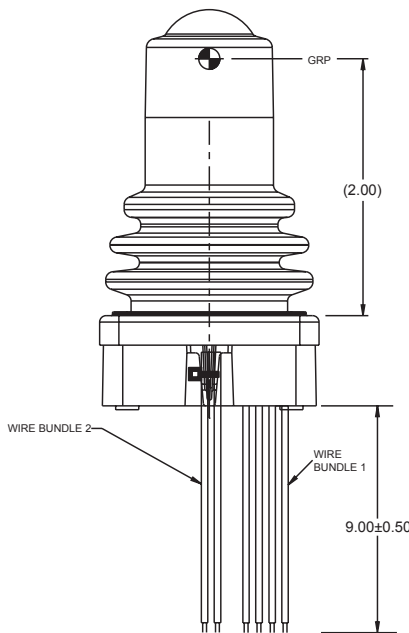
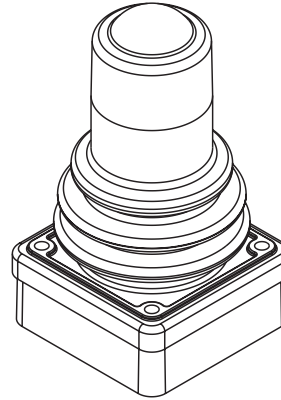
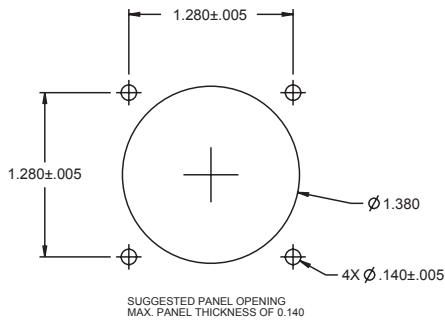
***P9'S are not part of the SPI output.

NOTES:

- Outputs are from the center to the full travel position in each direction.
- Options "AA," "BB," "CC," "DD," "EE" and "FF" provide increased voltage in +X, +Y; and decreasing voltage in -X, -Y direction from one output per axis.
- Options "GG" and "HH" provide increasing voltages in all directions (+X, +Y, -X, -Y) from 2 outputs per axis.
- Options "BB" and "EE" provide redundant output 2 which duplicates output 1. Options "CC" and "FF" provide redundant output 2 which is inverse of output 1.

COMPACT DESIGN

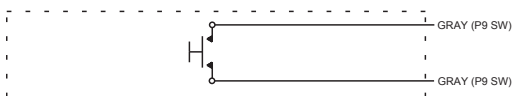
Full Boot Version Shown



GENERAL SCHEMATIC

(WIRE BUNDLE 1)

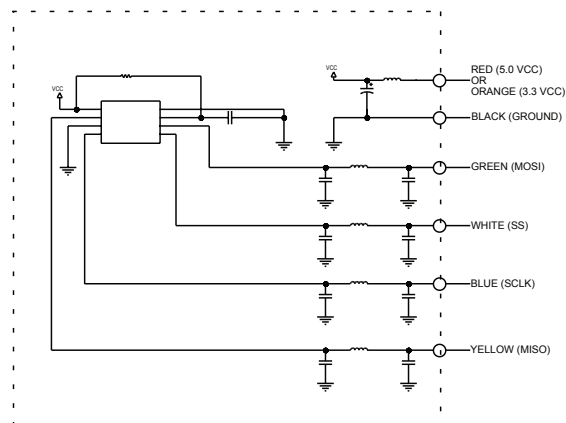
ALL OUTPUTS ARE NOT PRESENT IN ALL CONFIGURATIONS



PUSHBUTTON SCHEMATIC

(WIRE BUNDLE 2)

ALL WIRES ARE NOT PRESENT IN ALL CONFIGURATIONS



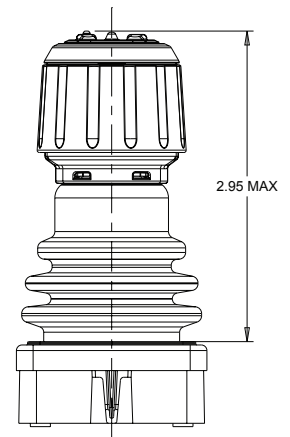
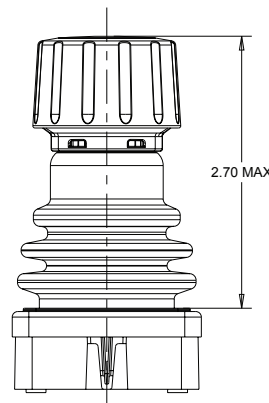
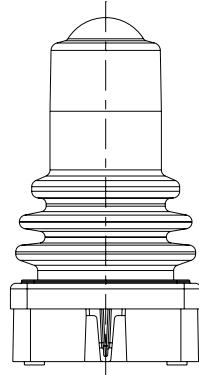
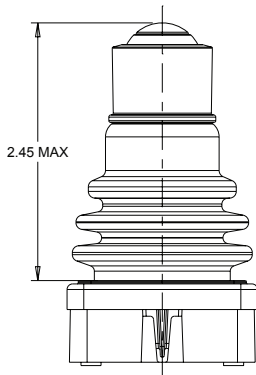
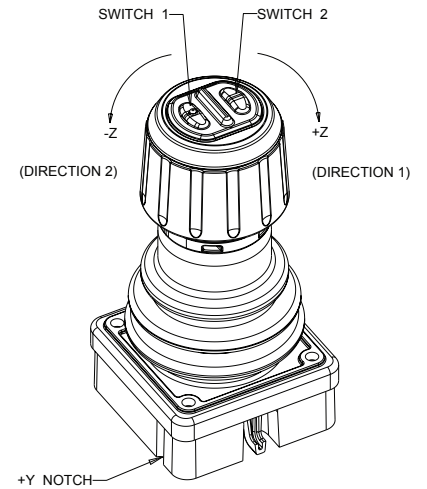
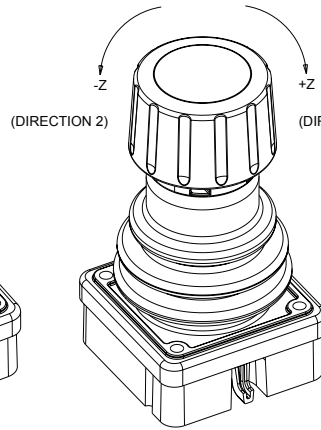
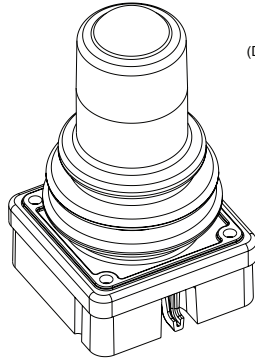
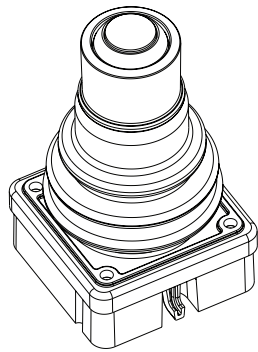
SPI SCHEMATIC

(WIRE BUNDLE 1)

ONLY ONE SUPPLY WIRE IS PRESENT WITH EACH CONFIGURATION

COMPACT DESIGN

JHT Switch/Style Boot Configuration



HALF BOOT

FULL BOOT

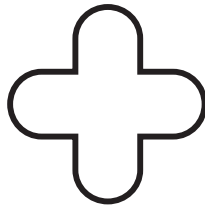
Z AXIS

**Z AXIS WITH
PUSHBUTTONS**

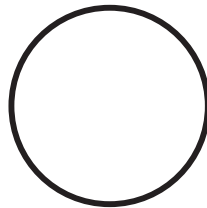
JHT and JHT Z-Axis Icons Demonstrating Feel*



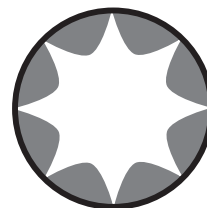
Gated;
Single Axis -
Return to Center



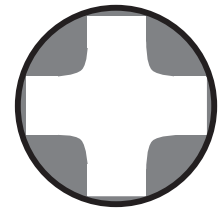
Gated;
Two Axis -
Return to Center



Omnidirectional;
Round Smooth Feel



Omnidirectional;
Round On-Axis and
Off-Axis Guided Feel**



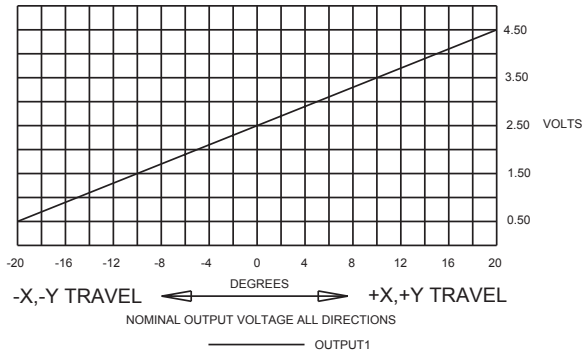
Omnidirectional;
Round On-Axis
Guided Feel

*Feel defined by shading.

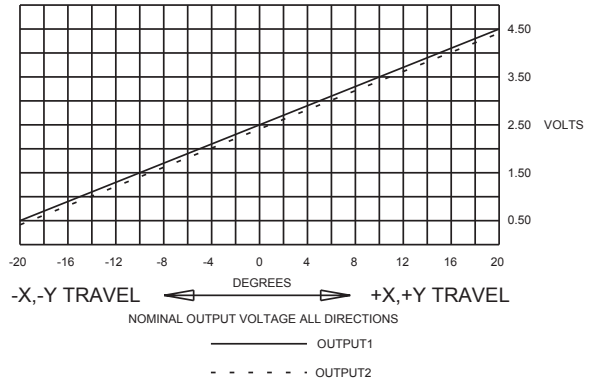
**Full output available in all directions. Contact factory for details.

COMPACT DESIGN

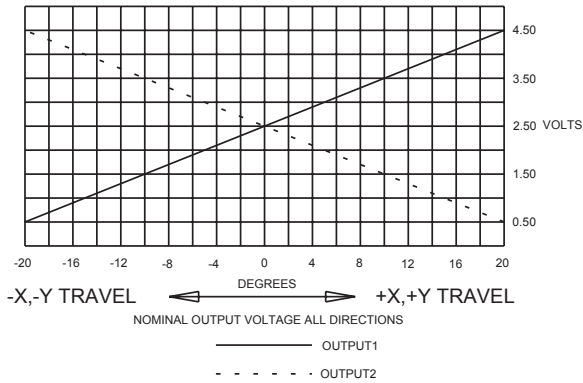
OPTION AA



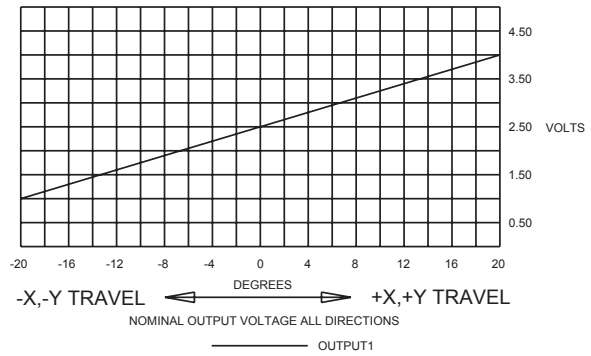
OPTION BB



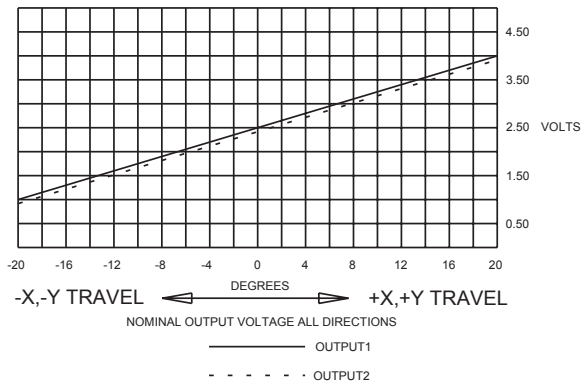
OPTION CC



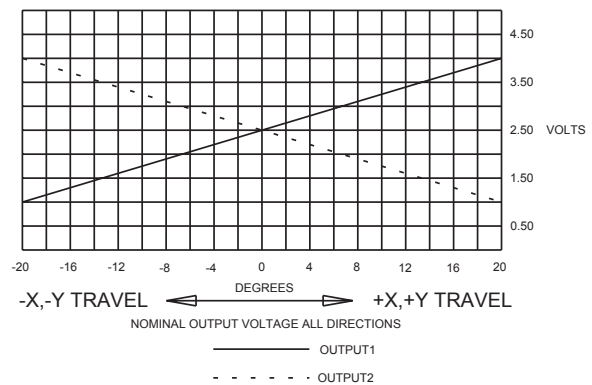
OPTION DD



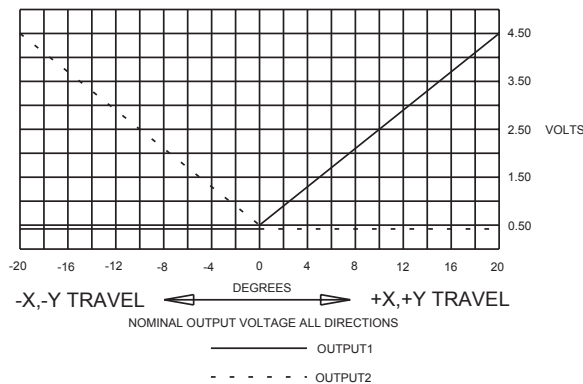
OPTION EE



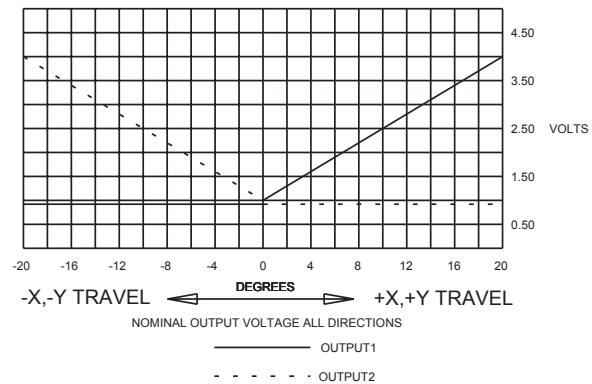
OPTION FF



OPTION GG



OPTION HH



MINIATURE Z-AXIS HALL EFFECT JOYSTICK

COMPACT DESIGN



With Pushbuttons

Without Pushbuttons

The JHT Z-Axis Miniature Series Hall Effect Joystick allows for a 60° rotational movement of the knob at the top of the joystick. Z-Axis options include detent, friction hold or spring return to center. Its compact design is the ideal solution where space is limited and precision control is required, while its robust construction is suited for demanding applications. The JHT joystick has been tested to five million cycles in all directions with no degradation of performance. The Z-Axis and/or pushbuttons have been tested to one million cycles. Various gating options are also available. The JHT Z-Axis electronics are sealed to IP68S and can withstand EMI/RFI per SAE J1113 specifications. The JHT Z-Axis has numerous applications and is ideal for construction equipment, unmanned vehicles, hydraulic controls, industrial vehicle controls, medical and surgery equipment and surveillance video cameras.

Features:

- 60° rotational movement of the knob
- Compact design
- Contactless analog output Hall effect technology
- 5 million operational cycles in all directions (Joystick)
- Joystick electronics sealed per IP68S
- Optional pushbutton switches available
- 3.3V and 5V SPI Output Options
- RoHS/WEEE/Reach compliant

Environmental Ratings and Materials:	
ENVIRONMENTAL:	
Operating Temp Range:	-40°C to +85°C
Seal:	Joystick electronics without pushbutton sealed to IP68S Keypad electronics sealed to IP65S
EMI/RFI:	Withstand per SAE J1113
MATERIALS:	
Housing:	Thermoplastic, black
Bellows:	Silicone, black. Additional materials available, contact factory.

Standard Characteristics/Ratings:

GENERAL:

Sensor Type: Hall effect analog, factory programmed ground and supply line break detection; over voltage and reverse voltage protection

Design: Contactless sensing

ELECTRICAL RATINGS: Rated at Vcc = 5V @ 20°C Load = 1ma (4.7KΩ)

Electrical - Analog Joystick

	Units	Min	Typ	Max
Supply Voltage	VDC	4.5	5	5.5
Output Voltage Tolerance at Center	VDC @ 5V Vcc	-0.25	N/A	+0.25
Output Voltage Tolerance Full Travel	VDC @ 5V Vcc	-0.25	N/A	+0.25
Supply Current* (B = 0, Vcc = 5V, Io = 0)	mA	N/A	10	12
Output Impedance	kΩ	N/A	1	N/A

*Single output per axis. Dual output per axis available. Supply current 20mA typical.

Electrical - Joystick Z-Axis Return to Center

	Units	Min	Typ	Max
Supply Voltage	VDC	4.5	5	5.5
Output 1+2 Voltage, +Z, -Z 0° Deflection	VDC @ 5V Vcc	2.25	2.50	2.75
Output 1+2 at Full Travel +Z Direction	VDC @ 5V Vcc	4.25	4.50	4.55
Output 1+2 at Full Travel -Z Direction	VDC @ 5V Vcc	0.45	0.50	0.75
Supply current (per sensor) B = 0, Vcc = 5V, Io = 0	mA	N/A	N/A	10.0
Output - Source Current Limit B = -X, Vo = 0	mA	-1.0	N/A	1.0

Electrical - Joystick Z-Axis Friction

	Units	Min	Typ	Max
Supply Voltage	VDC	4.5	5	5.5
Output 1+2 at Full Travel +Z Direction	VDC @ 5V Vcc	4.25	4.50	4.55
Output 1+2 at Full Travel -Z Direction	VDC @ 5V Vcc	0.45	0.50	0.75
Supply Current (per sensor) (B = 0, Vcc = 5V, Io = 0)	mA	N/A	N/A	10
Output - Source Current Limit B = -X, Vo = 0	mA	-1.0	N/A	1.0

Electrical - Joystick Z-Axis 3 Detent

	Units	Min	Typ	Max
Supply Voltage	VDC	4.5	5	5.5
Output 1+2 Voltage, +Z, -Z 0° Deflection	VDC @ 5V Vcc	2.25	2.50	2.75
Output 1+2 at Full Travel +Z Direction	VDC @ 5V Vcc	4.25	4.50	4.55
Output 1+2 at Full Travel -Z Direction	VDC @ 5V Vcc	0.45	0.50	0.75
Supply current (per sensor) B = 0, Vcc = 5V, Io = 0	mA	N/A	N/A	10.0
Output - Source Current Limit B = -X, Vo = 0	mA	-1.0	N/A	1.0

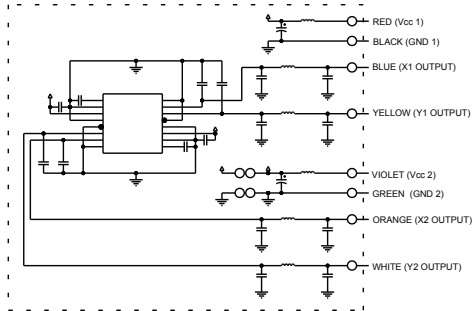
Joystick

Mechanical Life:	5,000,000 cycles in all directions			
Travel Angle	Units	Min	Typ	Max
Over Travel Angle	Degrees	18	20	22
Max Allowable Radial Force (Styles 11, 12 & 21) @ GRP	Degrees	0.5	1.0	1.5
Max Allowable Radial Force (All Other Styles) @ GRP	Lbs.	N/A	N/A	50
	Lbs.	N/A	N/A	15

Z-Axis

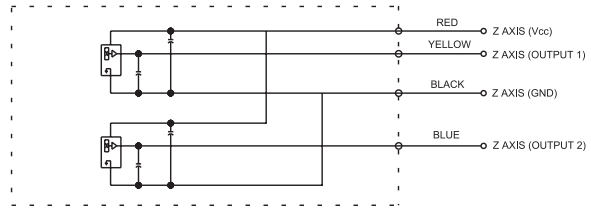
Mechanical Life:	1,000,000 cycles in all directions			
Travel Angle (Total)	Units	Min	Typ	Max
Operational Torque with Detent	Degrees	56	60	64
Operational Torque with Friction Hold	OZ	10	20	30
Operational Torque with Friction Hold	OZ	1.0	4.0	7.0
Operational Torque Return to Center	OZ	8.0	16	24

COMPACT DESIGN



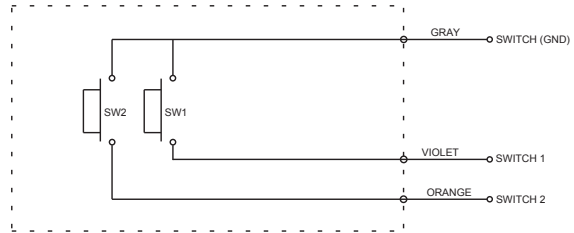
GENERAL SCHEMATIC

(WIRE BUNDLE 1)
ALL OUTPUTS ARE NOT PRESENT IN ALL CONFIGURATIONS

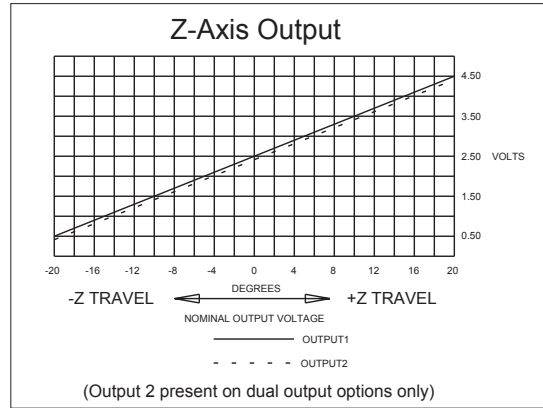
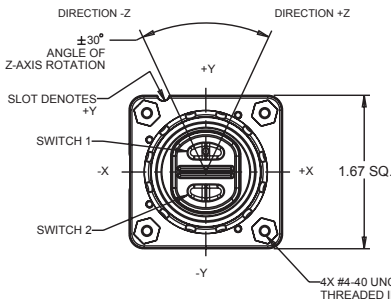
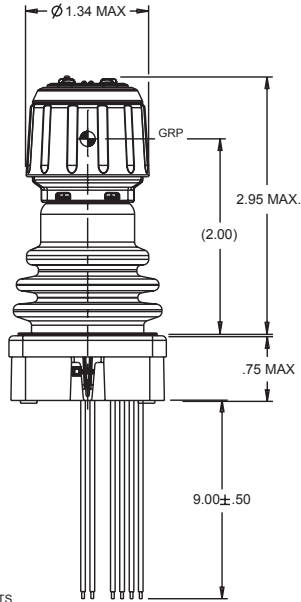
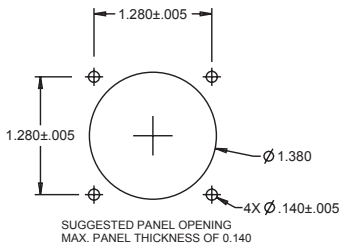


Z AXIS SCHEMATIC

(WIRE BUNDLE 2)
ALL WIRES ARE NOT PRESENT IN ALL CONFIGURATIONS



KEYPAD SCHEMATIC



JHT Z-AXIS PART NUMBER CODE

JHT	XX	X	X	XX	X	N
Switch/Boot Style (All Half Boot)	Gating*	Operating Force	Joystick Output 1	Joystick Output 2	Termination	
32. Z-Axis with Detent, Single Output	1. Gated; Single axis – Return to Center	1.1 lb	AA. 2.5 +/- 2.0VDC	NONE	1.24 AWG Wire Leads	
42. Z-Axis with Friction Hold, Single Output	2. Gated; Two axis – Return to Center		BB. 2.5 +/- 2.0VDC	2.5 +/- 2.0VDC		
52. Z-Axis Return to Center, Single Output	3. Omni-directional; Round Smooth Feel		CC. 2.5 +/- 2.0VDC	2.5 +/- 2.0VDC		
62. Z-Axis with Detent, Dual Output	4. Omni-directional; Round On-Axis and Off-Axis Guided Feel		DD. 2.5 +/- 1.5VDC	NONE		
72. Z-Axis with Friction Hold, Dual Output	5. Omni-directional; Round On-Axis Guided Feel		EE. 2.5 +/- 1.5VDC	2.5 +/- 1.5VDC		
82. Z-Axis Return to Center, Dual Output			FF. 2.5 +/- 1.5VDC	2.5 +/- 1.5VDC		
92. Z-Axis with Detent, Single Output with Two Pushbuttons			GG. 0.5 - 4.5VDC	0.5 - 4.5VDC		
A2. Z-Axis with Friction, Single Output with Two Pushbuttons			HH. 1.0 - 4.0VDC	1.0 - 4.0VDC		
B2. Z-Axis Return to Center, Single Output with Two Pushbuttons			JJ. SPI, 3.3V Supply**	NONE		
C2. Z-Axis with Detent, Dual Output with Two Pushbuttons			KK. SPI, 5V Supply**	NONE		
D2. Z-Axis with Friction, Dual Output with Two Pushbuttons						
E2. Z-Axis Return to Center, Dual Output with Two Pushbuttons						

*Gated = Restricted movement in XY axis only. Gating Icons shown on page 89 in the JHT mini joystick section.

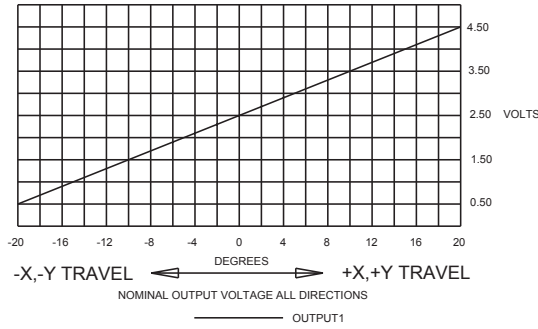
**Z-Axis and Pushbuttons are not part of the SPI message.

NOTES (Applies to Joystick Output Only):

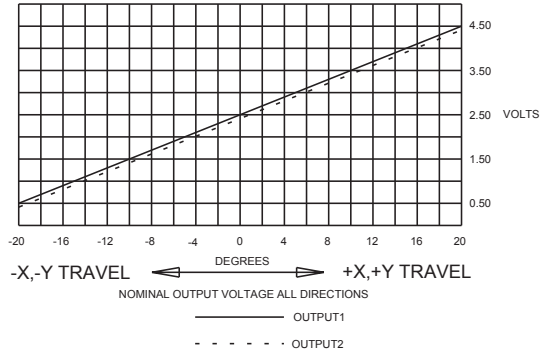
- Outputs are from the center to the full travel position in each direction.
- Options "AA", "BB", "CC", "DD", "EE" and "FF" provide increased voltage in +X, +Y; and decreasing voltage in -X, -Y direction from one output per axis.
- Options "GG" and "HH" provide increasing voltages in all directions (+X, +Y, -X, -Y) from 2 outputs per axis.
- Options "BB" and "EE" provide redundant output 2 which duplicates output 1. Options "CC" and "FF" provide redundant output 2 which is inverse of output 1.

Joystick Output Configuration

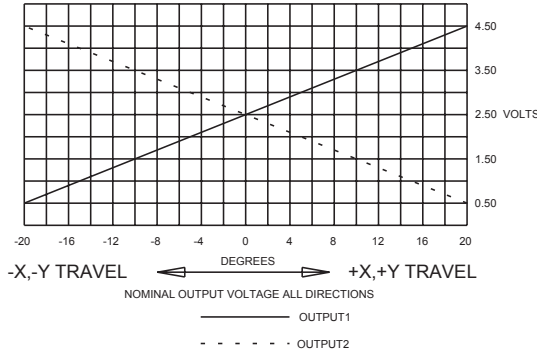
OPTION AA



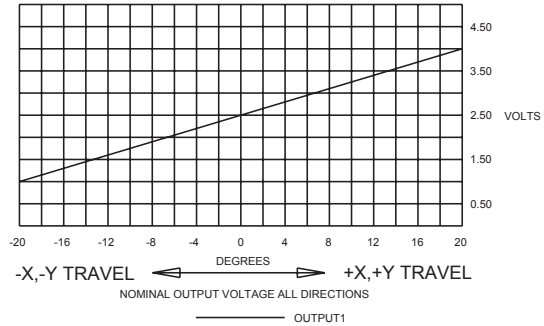
OPTION BB



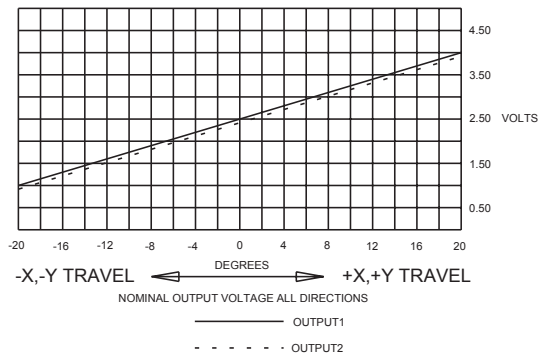
OPTION CC



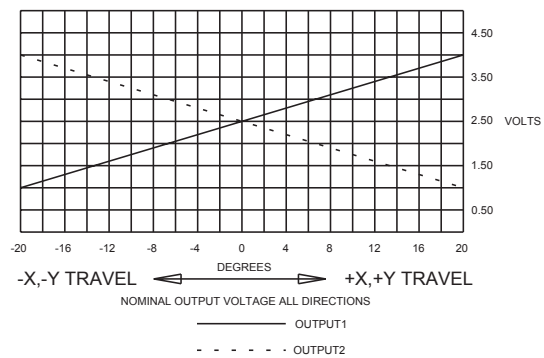
OPTION DD



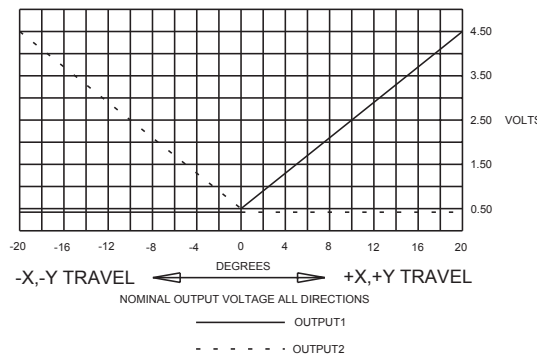
OPTION EE



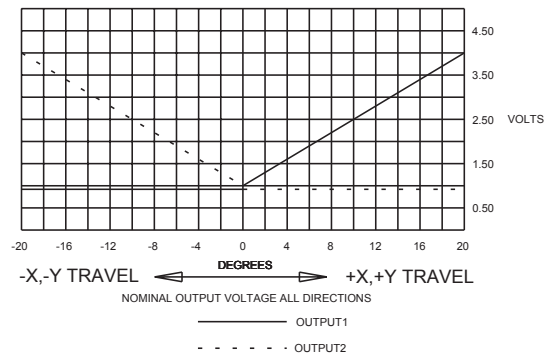
OPTION FF



OPTION GG



OPTION HH



USB, CANOPEN® & J1939 COMMUNICATION PROTOCOLS AVAILABLE

OTTO is an industry leader in the integration of J1939 and CANopen® serial bus communications in on and off-highway operator controls. OTTO has extensive experience implementing CAN operating systems in conjunction with the latest generation of operator controls; replacing traditional electromechanical and hydraulic systems with solid state, digital and analog electro-hydraulic control systems. OTTO's product line of electro-mechanical switches, Hall effect devices, pushbuttons and mini joysticks mated to our Hall effect joysticks and control handles provide a CAN based integrated solution for any application.

J1939 offers an industry standard set of defined codes for consistent system integration.

The OTTO J1939 Joystick will work in systems running with 250Kbit/sec processing a message approximately every 10ms. J1939 can be configured into three variations (50, 51, 52 are the default addresses). An external resistor change at the connector pins allows multiple OTTO joysticks to be used on the same bus. Additional joystick addresses can be added by assigning a unique identification during configuration.

CANopen® provides a greater degree of flexibility in defining device IDs and can be remotely configured. CANopen® can also be configured to run with other system baud rates.

Features:

- **Standard configuration for both is three analog input channels & 12 digital input channels with two digital output channels**
- **CAN power accommodates a 9–32VDC power supply**
- **I/O extension for up to 40 digital inputs, eight analog inputs & multiple digital outputs by I²C interface**
- **Both J1939 & CANopen® versions include a failure monitoring feature**
- **EMI/RFI per ISO 11898 89/336 ECC, tested to 100V/M**
- **Operating temperature -40°C to +85°C**
- **Storage temperature -65°C to +105°C**
- **All designs are RoHS and WEEE compliant**



CANbus Joystick



HJFC Foot Pedal
with CANbus Interface

Limit Switches



SERIES	FEATURE	ACTUATION	MAX RATING (Resistive @ 115VAC, 28VDC)	SEAL RATING	MOUNTING	CIRCUITRY
P6	Limit Switch, Mil Grade	(Pin, Roller) Momentary Action	7A	MIL-PRF 8805 Symbol 3 or Symbol 4	5/8", 15/32" Threaded	1, 2, & 4 Poles
P6-3	Subminiature Limit Switch	(Lever, Plunger, Roller) Momentary Action	10A	MIL-PRF-8805 Symbol 3	3/8", 1/2" dia. Mounting Holes	1, 2 & 3 Poles

SEALED AGAINST IMMERSION & CORROSIVE ATMOSPHERES



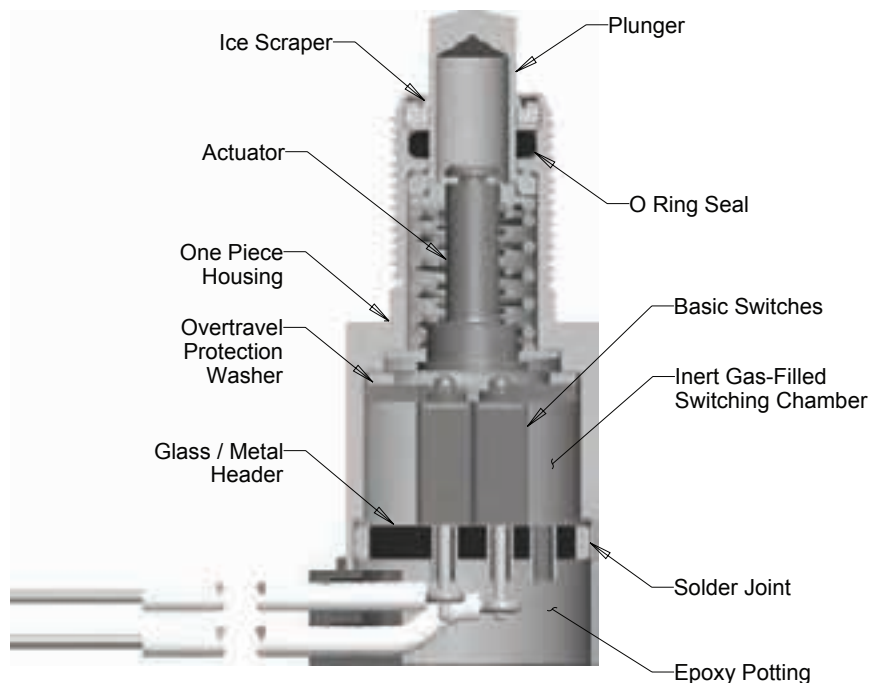
P6 series switches are sealed against immersion and corrosive atmospheres. These switches are designed for rugged duty both mechanically and electrically. A one-piece nickel plated stainless steel or brass housing, sealed at the plunger with an O-ring and at the base with a glass-to-metal header option provides true environment-free sealing to comply with MIL-PRF-8805/39, MIL-PRF-8805/40, MIL-PRF-8805/43, MIL-PRF-8805/100 and MIL-PRF-8805/104. Most case parts are grounded for EMI reduction.

The P6 series is available with roller plunger styles for cam or slide actuation and pin plunger for in-line actuation. Contact factory for additional designs.

P6 series features the OTTO B2, B3 or B5 series snap-action basic switch. High contact pressure and unique contact design provides low contact resistance for low level switching as well as full rated service.

Features:

- **Complies with MIL-PRF-8805 sealing**
- **One-piece housing**
- **Sealed at plunger with O-rings**
- **Sealed at base with a glass seal**
- **EMI reduction construction**
- **Choice of pin or roller plunger**
- **Choice of axial or radial leads**



Cross section example of OTTO P6-24XXX series.

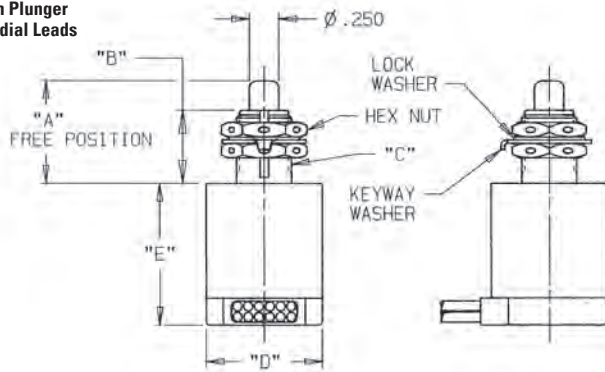
SEALED LIMIT SWITCHES

P6
LIMIT
SWITCHES

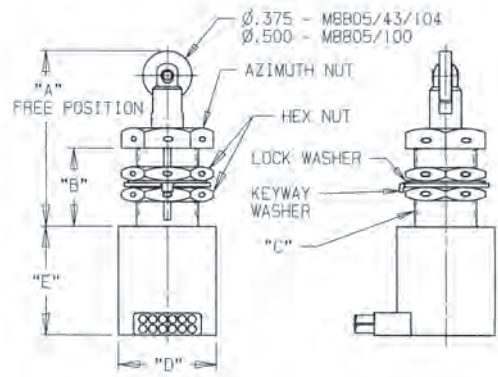
FEATURING OTTO B2 & B3 SERIES BASIC SWITCHES



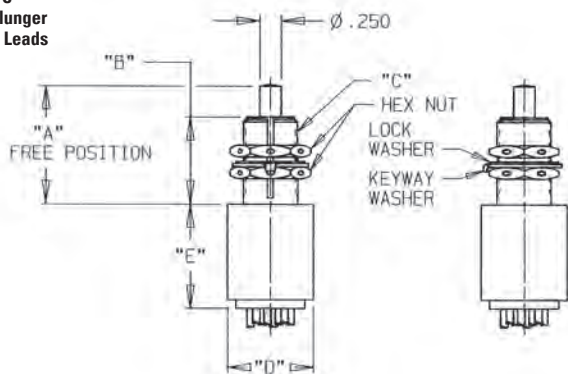
Style A
Pin Plunger
Radial Leads



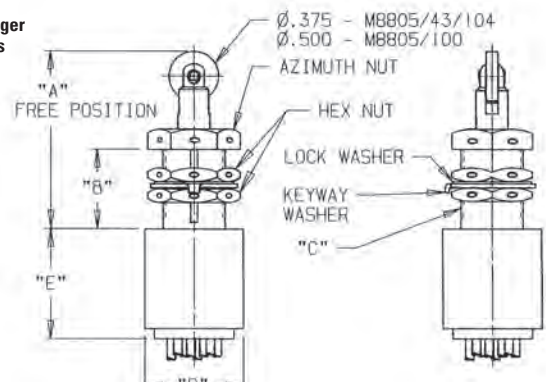
Style B
Roller Plunger
Radial Leads



Style C
Pin Plunger
Axial Leads



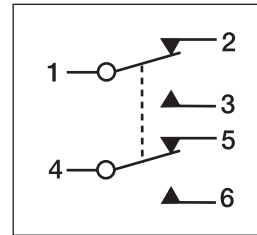
Style D
Roller Plunger
Axial Leads



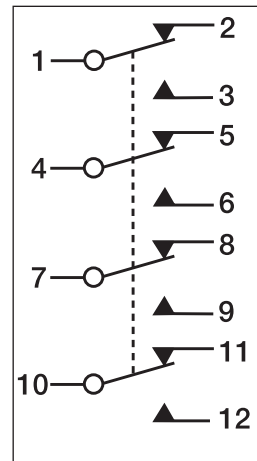
FEATURING OTTO B2 & B3 SERIES BASIC SWITCHES

SPECIFICATIONS: Standard Models					
ELECTRICAL RATINGS:					
Load	Sea Level @ 28VDC	50,000 feet @ 28VDC			
RATING TABLE 1					
Resistive	7A	7A			
Inductive	4A	2.5A			
Motor	4A	(4A)			
DWV	1000Vrms	400Vrms			
RATING TABLE 2					
Resistive	7A	7A			
Inductive	3A	3A			
Motor	4A	4A			
Lamp	2A	1A			
DWV	1250Vrms	600Vrms			
RATING TABLE 3					
Resistive	4A	4A			
Inductive	2A	2A			
Motor	4A	4A			
DWV	1000Vrms	400Vrms			
RATING TABLE 4					
Load Type	Power Circuit	Elex Logic	Low Level	Power Circuit	Elex Logic
Resistive	1A	0.01A	0.01A	1A	0.01A
Inductive	0.5A	N/A	N/A	0.5A	N/A
DWV	1000Vrms			400Vrms	

Electrical Life: 25,000 cycles
Low Level Life: 25,000 cycles
Contact Resistance: Per MIL-PRF-8805
Operating Force: 6.0 lbs. to 12.0 lbs. standard. Other forces available.
Overtravel Force: 30.0 lbs. max
Release Force: 4.0 lbs. min
Pretravel:
MIL-PRF-8805/39, /40, /43: 0.040 inches
MIL-PRF-8805/100: 0.070 inches
MIL-PRF-8805/104: 0.050 inches
Movement Differential:
MIL-PRF-8805/39, /40, /43: 0.020 inches
MIL-PRF-8805/100: 0.035 inches
MIL-PRF-8805/104: 0.030 inches
Overtravel:
MIL-PRF-8805/39, /40, /100: 0.250 inches
MIL-PRF-8805/43, /104: 0.125 inches
Wire Type:
Per MIL-W-22759/7
Marked per MIL-W-5088.
Standard length: 6 feet. Other lengths available.
Operating Temp Range: -55°C to 85°C
Mounting/Termination:
Bushing mounting with positive, non-turn features. Wire leads potted at terminal base for strain relief and added insulation. Each wire is marked with circuit identification.
For specific details not shown above, please consult the appropriate military specification sheet or OTTO's product drawing.



2PDT Schematic



4PDT Schematic

Circuitry	Plunger/Lead Exit Style	Dim. A Free Position (inches +/- 0.030)	Dim. B Bushing Length (inches +/- 0.030)	Dim. C Thread (inches)	Dim. D Body Dia. (max inches)	Dim. E Body Length (max inches)	Electrical Rating Table	Military Number	Catalog Number
MIL-PRF-8805/39									
2PDT	A-Pin/Radial	1.375	1.000	0.625-24	0.720	0.980	1	MS21321-1	P6-24000
4PDT	A-Pin/Radial	1.375	1.000	0.625-24	1.031	1.200	1	MS21321-2	P6-24001
MIL-PRF-8805/40									
2PDT	A-Pin/Radial	1.375	1.000	0.625-24	1.015	0.980	3	MS24331-1	P6-24002
MIL-PRF-8805/43									
2PDT	A-Pin/Radial	0.875	0.625	0.469-32	0.720	1.000	1	MS27240-1	P6-24003
4PDT	A-Pin/Radial	0.875	0.625	0.469-32	1.031	1.200	1	MS27240-2	P6-24004
2PDT	B-Roller/Radial *	1.295	N/A	0.469-32	0.720	1.000	1	MS27240-3	P6-14000
4PDT	B-Roller/Radial *	1.295	N/A	0.469-32	1.031	1.200	1	MS27240-4	P6-14001
2PDT	A-Pin/Radial	0.875	0.625	0.469-32	0.720	1.000	4	MS27240-5	P6-24005
4PDT	A-Pin/Radial	0.875	0.625	0.469-32	1.031	1.200	4	MS27240-6	P6-24006
2PDT	B-Roller/Radial *	1.295	N/A	0.469-32	0.720	1.000	4	MS27240-7	P6-14002
4PDT	B-Roller/Radial *	1.295	N/A	0.469-32	1.031	1.200	4	MS27240-8	P6-14003
MIL-PRF-8805/100									
4PDT	A-Pin/Radial	1.375	1.000	0.625-24	1.030	1.100	2	MIL-PRF-8805/100-007	P6-24043
4PDT	C-Pin/Axial	1.375	1.000	0.625-24	1.030	1.200	2	MIL-PRF-8805/100-008	P6-24044
4PDT	B-Roller/Radial **	1.781	0.794	0.625-24	0.925	1.100	2	MIL-PRF-8805/100-009	P6-14035
4PDT	D-Roller/Axial **	1.781	0.794	0.625-24	1.030	1.200	2	MIL-PRF-8805/100-010	P6-14036
4PDT	A-Pin/Radial	1.375	1.000	0.625-24	1.030	1.100	2	MIL-PRF-8805/100-015	P6-24007
4PDT	C-Pin/Axial	1.375	1.000	0.625-24	1.030	1.200	2	MIL-PRF-8805/100-016	P6-24008
4PDT	B-Roller/Radial **	1.781	0.794	0.625-24	1.030	1.100	2	MIL-PRF-8805/100-017	P6-14005
4PDT	D-Roller/Axial **	1.781	0.794	0.625-24	1.030	1.200	2	MIL-PRF-8805/100-018	P6-14006
MIL-PRF-8805/104									
4PDT	A-Pin/Radial	1.375	1.000	0.469-32	0.850	1.100	2	MIL-PRF-8805/104-001	P6-20001
4PDT	B-Roller/Radial *	1.719	0.895	0.469-32	0.850	1.100	2	MIL-PRF-8805/104-002	P6-10002
4PDT	C-Pin/Axial	1.375	1.000	0.469-32	0.850	1.100	2	MIL-PRF-8805/104-003	P6-20002
4PDT	D-Roller/Axial *	1.719	0.895	0.469-32	0.850	1.200	2	MIL-PRF-8805/104-004	P6-10003

* Roller diameter is 0.375 inches. ** Roller diameter is 0.500 inches.

NOTE: SEE MILITARY QPL CROSS REFERENCE LISTING IN APPENDIX.

APPLICATION-SPECIFIC MODIFIED PRODUCTS

Modified Military Styles



Circuitry	Free Position (inches)	Bushing Length (inches)	Overall Length (inches)	Catalog Number
Pin Plunger, Radial Lead Exit				
2PDT	1.375	1.000	2.375	P6-20077
2PDT	1.575	1.200	2.575	P6-20084
2PDT	0.875	0.625	1.875	P6-20076
4PDT	1.375	1.000	2.475	P6-20115
Pin Plunger, Axial Lead Exit				
2PDT	0.875	0.625	2.250	P6-20003
2PDT	1.575	1.200	2.950	P6-20005
Roller Plunger, Radial Lead Exit				
4PDT	1.781	0.794	2.781	P6-14010
2PDT	1.295	0.630	2.295	P6-14020
2PDT	1.980	1.095	2.980	P6-10060
Roller Plunger, Axial Lead Exit				
2PDT	1.700	0.860	3.200	P6-10057
4PDT	2.150	0.794	3.800	P6-14084

Custom Paint

Design 4 (Resilient) sealed single pole switch features polyurethane paint on the switch body and has a military style connector. Bushing is 15/32-32.

P6-24026

Actuating Force: 9.0 +/- 3.0 lbs.
Release Force: 4.0 lbs. min
Overtravel: 0.125" min
Circuit: SPDT
Rating: 7 amps Resistive
 4 amps Inductive
Contacts: Gold



Flange Mount

Low profile four pole switch features flange mounted stainless steel housing with an 8 pin connector.

P6-20121

Actuating Force: 6.0 +3.0/-2.0 lbs.
Release Force: 2.0 lbs. min
Circuit: 4PST N.C.
Rating: 0.5 amps Resistive for 100,000 cycles
Contacts: Silver/Gold



Longer Bushing

This two pole switch features an extra long mounting bushing. Bushing is 15/32-32.

P6-20005

Overtravel: 0.250" min
Operating Force: 9.0 +/- 3.0 lbs.
Release Force: 4.0 lbs. min
Circuit: 2PDT
Rating: 7 amps Resistive
 3 amps Inductive
Contacts: Gold



Rubber Bonded Leads

Aircraft switch features special 48" leads with a Fluorosilicone rubber bonded to wire leads.

P6-20050

Total Travel: 0.300" min
Operating Force: 11.0 +/- 5.0 lbs.
Release Force: 4.0 lbs. min
Circuit: 4PDT
Rating: 0.04 amps to 0.5 amps Inductive
Contacts: Gold



Sleaved Wires

This two pole switch features a lower spring force and sleeved wires.

P6-24111

Overtravel: 0.500" min
Operating Force: 3.0 to 6.0 lbs.
Release Force: 2.0 lbs. min
Circuit: 2PDT
Rating: 7 amps Resistive
 4 amps Inductive
Contacts: Gold



Adjustable Roller Plunger

Design 4 (Resilient) sealed 2PDT limit switch with adjustable orientation of roller plunger at 45° increments. 72" wire leads included.

P6-14000

Overtravel: 0.125" min
Operating Force: 9.0 +/- 3.0 lbs.
Release Force: 4.0 lbs. min
Circuit: 2PDT
Rating: 7 amps Resistive
 4 amps Inductive
Contacts: Gold



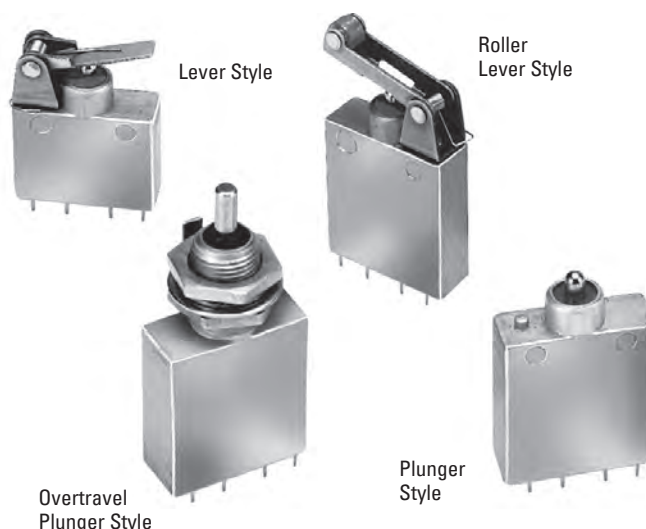
FEATURING OTTO B5 SERIES BASIC SWITCHES

These subminiature sealed switches are contained in a rugged aluminum housing with choice of lever, roller or plunger. Featuring the B5 series basic switch, the P6-3 series is able to switch up to 10 amps. The high contact pressure and superior wiping action of the OTTO design also makes the P6-3 series an excellent choice when switching logic level loads.

Sealing against water and other liquids is per MIL-PRF-8805. Wire leaded models feature potted leads. The solder terminals are epoxy sealed.

Features:

- Compact design
- Watertight to MIL-PRF-8805
- Choice of four actuator styles
- Choice of wire lead or solder termination styles
- Up to 10 amps switching capability
- High contact pressure for low levels
- Precision operating points



Standard Characteristics/Ratings:

ELECTRICAL RATINGS:		Sea Level @ 28VDC			50,000 feet @ 28VDC			
Load	Single Circuit N.O. or N.C.	2 Circuit Per Pole		Single Circuit N.O. or N.C.	2 Circuit Per Pole			
Resistive	10A	10A		10A	10A			
Inductive	7.5A	5A		3.5A	2A			
Motor	4A	2A		N/A	N/A			
DWV	1000Vrms			500Vrms				
Electrical Life:	50,000 cycles							
Mechanical Life:	50,000 cycles							
OPERATIONAL:	P6-31	P6-32	P6-33	P6-34	P6-35	P6-36	P6-37	P6-38
Operating Force:	16 oz max	40 oz max	20 oz max	40 oz max	32 oz max	40 - 60 oz max	20 oz max	48 oz max
Release Force:	4 oz min	8 oz min	4 oz min	8 oz min	4 oz min	24 oz min	4 oz min	8 oz min
Movement Differential:	0.060" max	0.020"±0.010" max	0.060" max	0.020"±0.010" max	0.080" max	0.010" - 0.035" max	0.080" max	0.040" max
Pretravel:	0.125" max	0.050" max	0.125" max	0.070" max	0.125" max	0.050" max	0.125" max	0.070" max
Overtravel:	0.025" min	0.012" min	0.025" min	0.187" min	0.025" min	0.012" min	0.025" min	0.187" min
Strength of Actuator:	10.0 lbs.	25.0 lbs.	10.0 lbs.	25.0 lbs.	10.0 lbs.	25.0 lbs.	10.0 lbs.	25.0 lbs.
Temperature Range:	-55°C to +85°C							
Seal:	Enclosure Design 3, watertight per MIL-PRF-8805							
MATERIALS:								
Plunger:	Corrosion resistant steel							
Lever:	Corrosion resistant steel (where applicable)							
Mounting Hardware:	None provided							

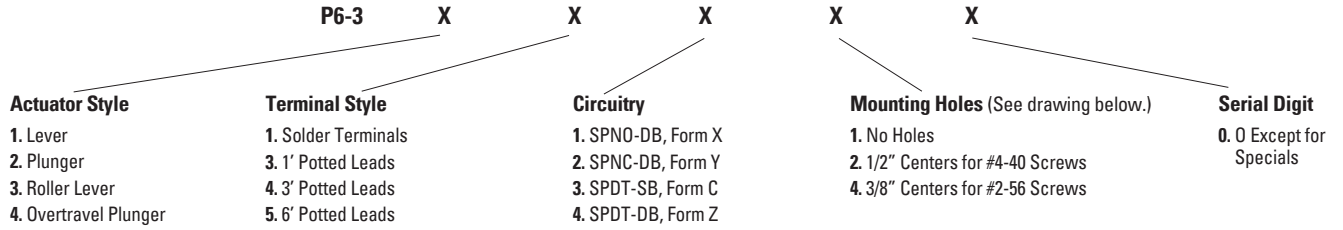
SUBMINIATURE WATERTIGHT SEALED

P6-3
LIMIT SWITCHES

FEATURING OTTO B5 SERIES BASIC SWITCHES

P6-3 PART NUMBER CODE

Single Pole



STYLE P6-31

STYLE P6-32

STYLE P6-33

STYLE P6-34

**SOLDER TERMINAL
(TERM. STYLE 1
EXAMPLE)**

**POTTED WIRE LEADS
(TERM. STYLES 3, 4 & 5
EXAMPLE)**

CIRCUIT SCHEMATIC

<p>SPNO - DB (FORM X)</p>	<p>SPNC - DB (FORM Y)</p>
<p>SPDT (FORM C)</p>	<p>SPDT - DB (FORM Z)</p>

POTTED WIRE LEADS		MOUNTING HOLES:	
STYLE	DIM "A"	CODE 2 FOR 4-40 SCREWS	CODE 4 FOR 2-56 SCREWS
3	12"	.500	Ø.112 ± .003
4	36"	.375	Ø.089 ± .003
5	72"		

FEATURING OTTO B5 SERIES BASIC SWITCHES

P6-3 PART NUMBER CODE

Double Pole

P6-3 X X X X X X

Actuator Style

- 5. Lever
- 6. Plunger
- 7. Roller Lever
- 8. Overtravel Plunger

Terminal Style

- 1. Solder Terminals
- 2. Taper Tab, Quick Disconnect
- 3. 1' Potted Leads
- 4. 3' Potted Leads
- 5. 6' Potted Leads

Circuitry

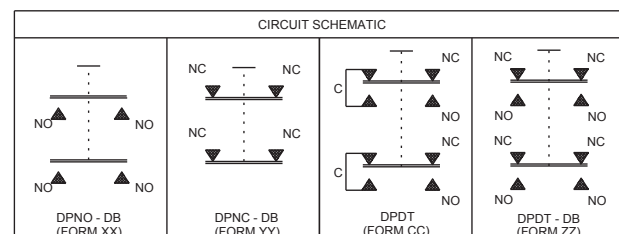
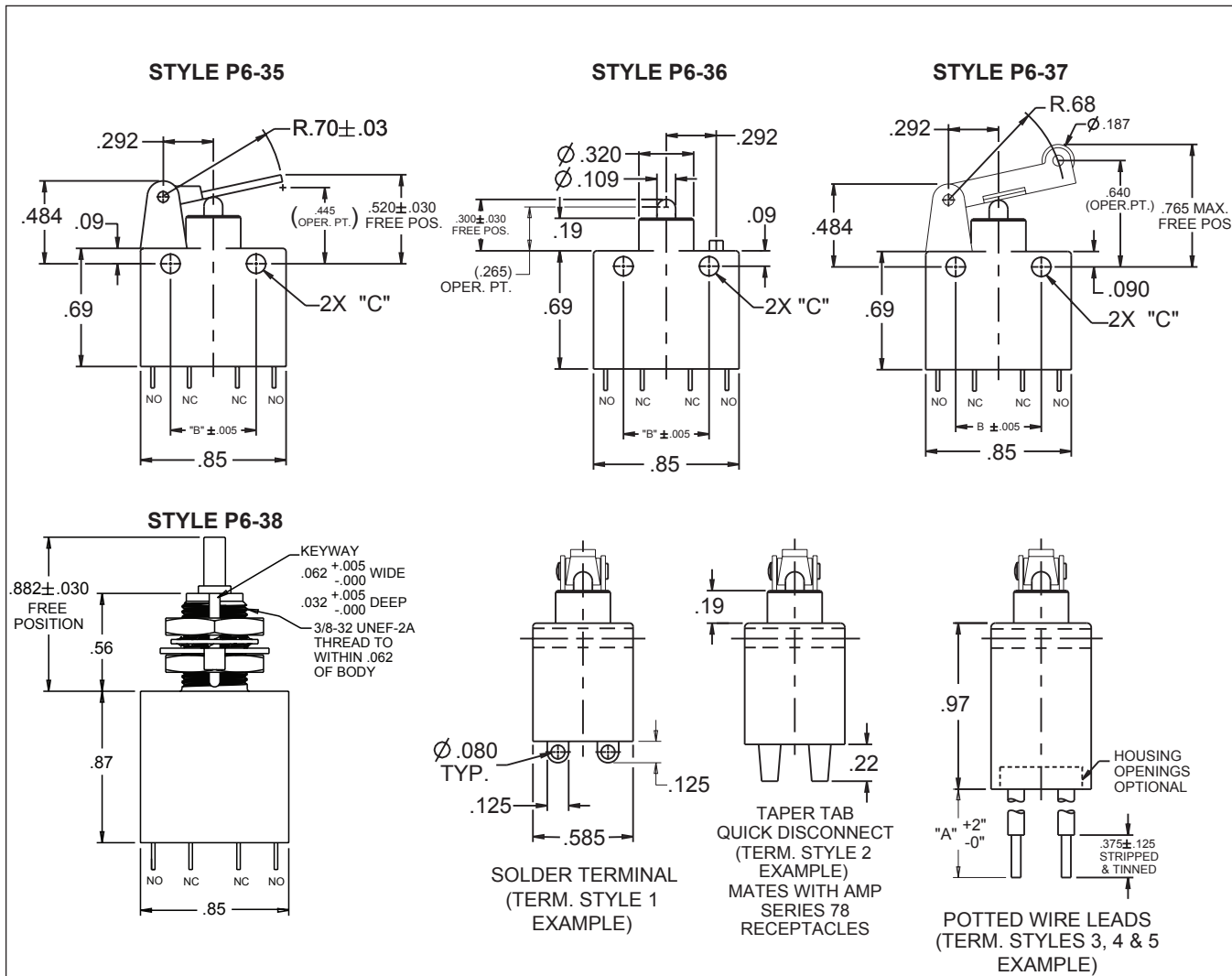
- 1. DPNO-DB, Form XX
- 2. DPNC-DB, Form YY
- 3. DPDT, Form CC
- 4. DPDT-DB, Form ZZ

Mounting Holes (See drawing below.)

- 1. No Holes
- 2. 1/2" Centers for #4-40 Screws
- 4. 3/8" Centers for #2-56 Screws

Serial Digit

- 0. 0 Except for Specials



POTTED WIRE LEADS		DIM "B" CNTRS.	DIM "C" DIA.
STYLE	DIM "A"		
3	12"	.500	Ø.112 ± .003
4	36"		
5	72"	.375	Ø.089 ± .003

MOUNTING HOLES:	
CODE 2 FOR 4-40 SCREWS	
CODE 4 FOR 2-56 SCREWS	

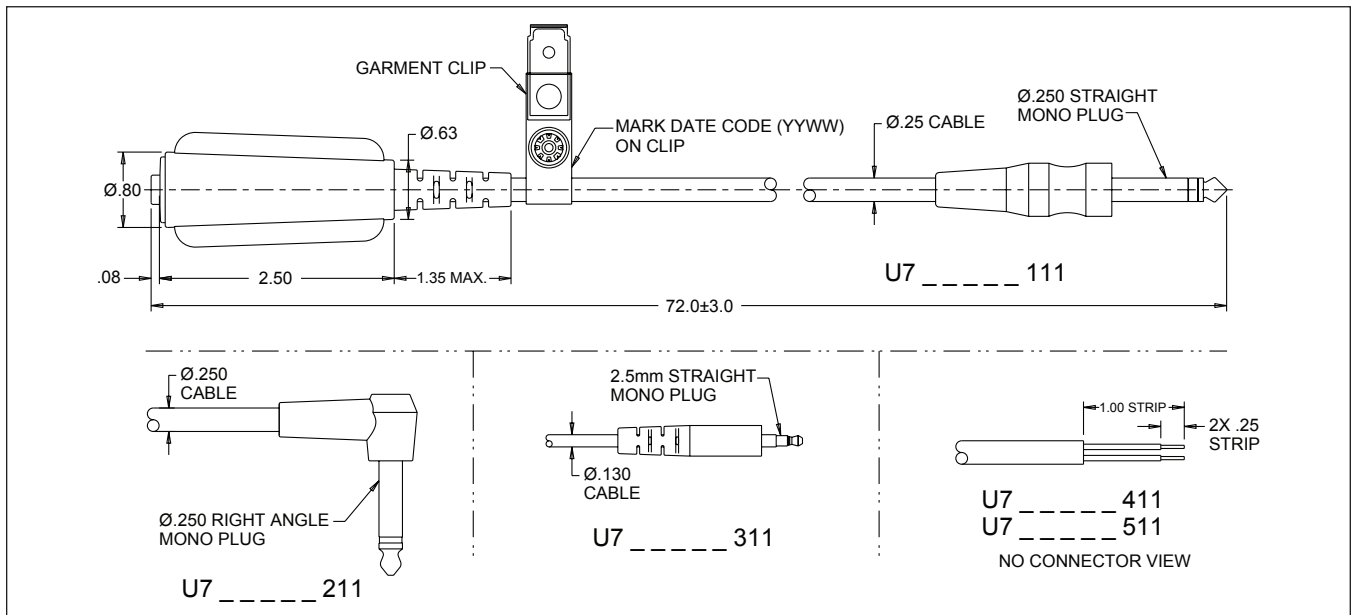
SEALED & UNSEALED

The U7 series pendant switches are rugged, high performance pendant switches designed for use under severe conditions found in medical, appliance, heavy equipment and industrial control applications.

The U7 series is offered in single plug configuration or can be customized to a dual switch configuration. Connector options include straight and right angle 1/4" phone plugs or a straight 2.5mm plug. Cable options include 0.250" diameter for 60.0 lbs. pull strength or 0.130" diameter cable for 25.0 lbs. pull strength.

Features:

- Durable cables
- Switches logic level circuits
- Choice of button, bezel & handle colors
- Withstands extreme shock & vibration
- Available in sealed & unsealed versions
- Reach compliant



U7 PENDANT PART NUMBER CODE

U7	X	X	X	X	X	1	1
Pendant Style	Seal Type	Button Color	Bezel Color	Housing Color	Cable Diameter, Color and Connector		
<ol style="list-style-type: none"> Single Pendant, Single Plug, 6' Length Single Pendant, Single Plug, 10' Length 	<ol style="list-style-type: none"> Unsealed Moistureproof and Dusttight Watertight 	<ol style="list-style-type: none"> Red Black White 	<ol style="list-style-type: none"> Red Black White 	<ol style="list-style-type: none"> Black Blue Gray 	<ol style="list-style-type: none"> 0.250" Diameter, 60.0 lbs. Pull Strength, Gray Color, with 0.250" Straight Mono Plug 0.250" Diameter, 60.0 lbs. Pull Strength, Gray Color, with 0.250" Right Angle Mono Plug 0.130" Diameter, 25.0 lbs. Pull Strength Gray Color, with 2.5mm Straight Mono Plug 0.250" Diameter, 60.0 lbs. Pull Strength Gray Color, Without Connector 0.130" Diameter, 25.0 lbs. Pull Strength Gray Color, Without Connector 		

Note: Please contact factory for other configurations or styles. Minimum order quantities may apply.

EXAMPLES OF APPLICATION-SPECIFIC DESIGNS

Pendant Switch

Remote hand held pushbutton switch with coiled cord that extends to approximately 3'.

Circuit: SPNO-DB
Rating: 10 amps Resistive @ 28VDC
Button: Black nylon
Housing: Black nylon
Cord: Black polyurethane, 28 AWG

U2-098



Coiled Cord Switch

Remote hand held pushbutton switch with a 6' coiled cord. Sealed against dust and moisture.

Rating: 10 amps Resistive @ 28VDC
Button: Green nylon
Housing: Black anodized aluminum
Cord: 6' extended, 18 AWG

P3-80012



Grip Switch Assembly

Switch is built into a grip designed for rugged outdoor use. Automotive type connector.

Circuit: SPNC-DB
Rating: 10 amps Resistive @ 28VDC
Button: Red nylon
Housing: Black nylon
Cord: Black polyurethane, 18 AWG

Left and right hand operation with various connection types available.

U2-076



Pendant Switch

Remote hand held pushbutton switch with 24" coiled cord that extends to approximately 15'. Terminated with a 1/4" right angle molded phone plug (optional).

Circuit: SPNO-DB
Rating: 5 amps Resistive @ 28VDC
Button: Black nylon
Housing: Black nylon
Cord: Black polyurethane, 22 AWG

U2-034



Pendant Switch

Remote hand held pushbutton switch with 7.0" +/- 1.0" wire leads.

Circuit: SPST Alternate Action
Rating: 5 amps Resistive @ 28VDC
Button: Red nylon
Housing: Black nylon
Cord: Black polyurethane, 18 AWG

U2-150



Pendant Switch

Remote hand held pushbutton switch with coiled cord that extends to approximately 20'. Terminated with a connector.

Circuit: SPNO-DB
Rating: 5 amps Resistive @ 28VDC
Button: Red nylon
Housing: Black nylon
Cord: Black neoprene, 18 AWG
Connector: Deutsch

U2-096



Pendant Switch

Remote hand held P8 pushbutton switch with a 3' coiled cord. Switch is dusttight per MIL-PRF-8805, Design 2.

Rating: 10 amps Resistive @ 28VDC
Button: Red thermoplastic
Housing: Black anodized aluminum
Cord: Black polyurethane, 28 AWG

U2-331



For more options contact factory.

ELECTROMECHANICAL SWITCH SELECTION GUIDE

Pushbutton Switches

SERIES	FEATURE	ACTUATION	MAX RATING (Resistive @ 28VDC)	SEAL RATING	APPROVALS	MOUNTING	CIRCUITRY
LP3	LED Lighted	Momentary Action	5A	Unsealed, IP64 or IP68S	UL (E61705)	5/8" or 15/32" Threaded or Press Fit	SPST-DB, SPDT-DB
LP3-V	LED Lighted, Vandal Resistant	Momentary Action	5A	IP64 or IP68S	UL (E61705)	5/8" or 3/4" Threaded	SPST, SPDT-DB
LP5	LED Lighted	Alternate Action	5A	Unsealed, IP64 or IP68S	UL (E61705)	5/8" or 15/32" Threaded or Press Fit	SPST, SPDT
LP5-V	LED Lighted, Vandal Resistant	Alternate Action	5A	IP64 or IP68S	UL Recognized Component, UL1500 Ignition Protected	5/8" or 3/4" Threaded	SPST, SPDT
LP7	Dome Shape, Compact Bezel	Momentary Action	5A	IP68S	N/A	15/32" Threaded	SPST-DB, SPDT-DB
LP7-D	Dome Shape, Anodized Case	Momentary Action	5A	IP64 or IP68S	N/A	15/32" Threaded	SPST-DB, SPDT-DB
LP9	LED Lighted	Momentary Action	5A	IP68S	UL (E61705)	15/32" Threaded Snap-In	SPST-DB, SPDT-DB
LP9L	LED Lighted, Dome Shape, Low Level	Momentary Snap Action	50mA	IP68S	N/A	15/32" Threaded	SPST-DB, SPDT-DB
LPL	Indicator Light	N/A	N/A	Unsealed, IP64 or IP68S	N/A	5/8" or 15/32" Threaded or Press Fit	N/A
P1	Mil Grade	Momentary Action, Push-Pull Option	10A	MIL-PRF-8805 Design 2, 3 or IP68S	UL (E61705), CSA (LR43865)	5/8" or 15/32" Threaded or Press Fit	SPDT-DB, SPST-DB
P2	Commercial	Momentary Action, Two Step	5A	MIL-PRF-8805 Design 2 and Design 3	N/A	5/8" Threaded or Press Fit	DPST, DPDT
P3	Commercial	Momentary Action, Push-Pull Option	10A	IP64 or IP68S & IP69K (except push-pull)	UL (E61705), CSA (LR43865)	5/8" or 15/32" Threaded or Press Fit	SPDT-DB, SPST-DB
P3-D	Dome Shape	Momentary Action	10A	IP64 or IP68S & IP69K	UL (E61705)	5/8" Threaded	SPST-DB, SPDT-DB
P4	1 to 4 Poles, Custom Pushbutton	Momentary Action, Two Step	8A	IP64 or IP68S	N/A	1/4" or 15/32" or 5/8" Threaded or Press Fit	1 to 4 Poles
P5	Commercial & Mil Grades	Alternate Action	10A	IP64 & MIL-PRF-8805 Design 2 or IP68S	UL (E61705)	5/8" or 15/32" Threaded or Press Fit	SPST, SPDT
P5-D	Dome Shape, Commercial & Mil Grades	Alternate Action	10A	IP64 & MIL-PRF-8805 Design 2 or IP68S	UL (E61705)	5/8" Threaded	SPST, SPDT
P5-V	Vandal Resistant	Alternate Action	10A	IP64 or IP68S & IP69K	UL (E61705)	5/8" or 3/4" Threaded	SPST, SPDT
P7	Subminiature, Mil Grade	Momentary Action	5A	IP64 & MIL-PRF-8805 Design 2 or IP68S & MIL-PRF-8805 Design 3	UL (E61705), CSA (LR43865)	1/4" or 15/32" Threaded or Press Fit	SPST-DB, SPDT-DB
P7-D	Dome Shape	Momentary Action	5A	IP64 & MIL-PRF-8805 Design 2 or IP68S	UL (E61705)	15/32" Threaded	SPST-DB, SPDT-DB
P8	Shorter Behind Panel Depth	Momentary Action, Push-Pull Option	10A	IP64 or IP68S	UL (E61705), CSA (LR43865)	5/8" or 15/32" or 1/2" Threaded or Press Fit	SPST-DB, SPDT-DB
P8-V	Vandal Resistant	Momentary Action	10A	IP64 or IP68S & IP69K	UL (E61705)	5/8" or 3/4" Threaded	SPST-DB, SPDT-DB
P9	Dome Shape	Momentary Action	5A	IP64 or IP68S & IP69K	UL (E61705), CSA (LR43865)	15/32" Threaded or Snap-In	SPST-DB, SPDT-DB
P9C	Low Level, Lower Cost	Momentary Action	100mA @1-32VDC	IP68S	N/A	15/32" Threaded	SPST-DB
P9M	Latching	Alternate Action	4A @12VDC	IP68S	N/A	15/32" Threaded	SPST-DB
PE	Mil Grade	Momentary Action	5A	Unsealed or MIL-PRF-8805 Design 2	N/A	1/4" Threaded	SPST-DB, SPST-DB
PE2	Mil Grade	Momentary Action	2A	Splashproof per MIL-PRF-8805 Symbol 6	N/A	15/32" Threaded	2 Circuit, DPDT

MOMENTARY ACTION COMMERCIAL GRADE LED ILLUMINATED & SEALED

Raised Dome



Front Mount



The LP3 offers rugged, sealed construction with the added benefit of reliable LED illumination. This precision snap-action switch is designed for use in off-highway, material handling, industrial controls, marine, medical and demanding commercial applications. Choose from the standard mounting styles and electrical ratings, or contact us for custom configurations.

On sealed models, a silicone boot operating on our patented “rolling sleeve” principle protects the contact area against contamination at the button area. This boot provides long life and smooth operation over a wide temperature range. Sealed terminals protect the contact area from hostile environments and solder flux on both sealed and unsealed models.

High contact pressure, amazingly low contact resistance and extremely low contact bounce are all the result of the OTTO snap-action mechanism. Extra long electrical life and precise trip point offer added value and precision operation.

Features:

- **Watertight to IP68S or moistureproof & dusttight to IP64**
- **LED lighted with the ability to accommodate 2, 6, 12 & 24VDC power & includes reverse voltage protection**
- **Tall & dome style buttons permitting sublimated & pad printed legends**
- **Less than 25mΩ contact resistance, low level option**
- **Quick disconnect terminals**
- **15/32” & 5/8” thread, press fit & dome case options**
- **RoHS/WEEE/Reach compliant**

Standard Characteristics/Ratings:

ELECTRICAL RATINGS:

Load	Sea Level @ 28VDC or 115VAC, 60/400Hz
Resistive	5A
Inductive	3A
Lamp	1A
Motor	3A
DWV	1050Vrms through switch contacts only
Low Level	10mA @ 30mV

Electrical Life: 25,000 cycles

LIGHTING:

Light Source Voltage (DC)	Actual Voltage Nominal (DC)	Voltage Max (DC)
2	2	2.6
6	7	8
12	13.5	14.5
24	28	28.6

Mechanical Life: 250,000 cycles @ +85°C
25,000 cycles @ -55°C

Seal: IP64 or IP68S

Operating Temp Range: -55°C to +85°C

Operating Force: 2.5 +/- .5 lbs. or 5.0 +/- 1.0 lb.

Total Travel: 0.080 inches max

Overtravel: 0.010 inches min

MATERIALS:

Case: Anodized aluminum alloy

Button: Thermoplastic

Terminals: Standard and low level options available

Mounting Hardware: Hex nut, lockwasher and panel gasket when applicable

LP3 PART NUMBER CODE

	LP3	-	X		X		X		X		X		X		X		-	XX
Case Style	Circuit Rating			Light Source Type* w/ Rev. Pol Protection	Seal Level			Operating Force		Case Color	Button Color							Legend Style
E. Exposed Dome F. Flush Dome R. Raised Dome 1. Press Fit Mount 3. 5/8" Thread Front Mount 4. 15/32" Thread Rear Mount 6. 5/8" Thread Rear Mount	1. SPST N.O./Std. 2. SPST N.C./Std. 3. SPDT 2 Circuit/Std. 4. SPST N.O./Low Level 5. SPST N.C./Low Level 6. SPDT 2 Circuit/Low Level			A. 2V Red LED B. 2V Green LED C. 2V Amber LED D. 6V Red LED E. 6V Green LED F. 6V Amber LED G. 12V Red LED H. 12V Green LED J. 12V Amber LED K. 24V Red LED L. 24V Green LED M. 24V Amber LED N. 2V Blue LED P. 6V Blue LED Q. 12V Blue LED R. 24V Blue LED S. 2V Deep Green LED T. 6V Deep Green LED U. 12V Deep Green LED V. 24V Deep Green LED	1. Unsealed 2. Dusttight 3. Watertight			2. 2.5 ± .5 lbs. 5. 5.0 ± 1 lbs.		1. Silver 2. Black	A. Amber, Translucent (use Amber LED) R. Red, Translucent (use Red LED) W. White, Translucent							Refer to Legend Table for SAE legend codes in Appendix. Legends will be printed in white on amber and red buttons and in black on white buttons.

STOP HERE for illuminated switches without legends.

* 2V LED's are intended for use with an external resistor. See appendix for complete voltage/ratings table.
All green and blue LEDs are recommended for use with translucent button color white. For super bright LEDs, contact factory.

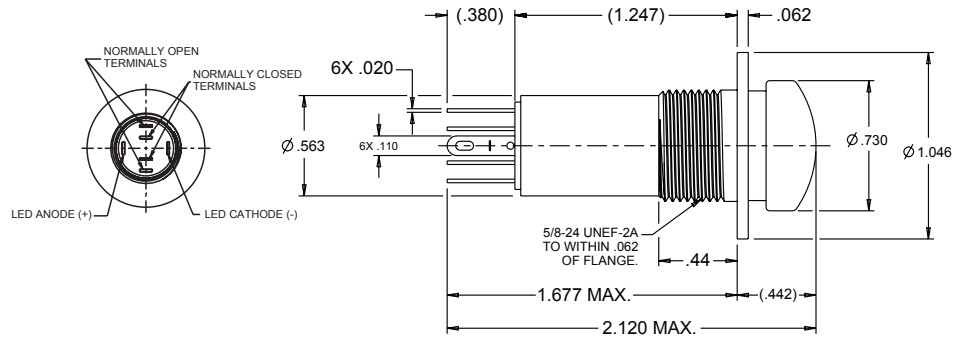
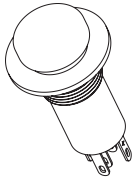
ILLUMINATED & SEALED PUSHBUTTONS

LP3
ILLUMINATED
PUSHBUTTONS

MOMENTARY ACTION COMMERCIAL GRADE LED ILLUMINATED & SEALED

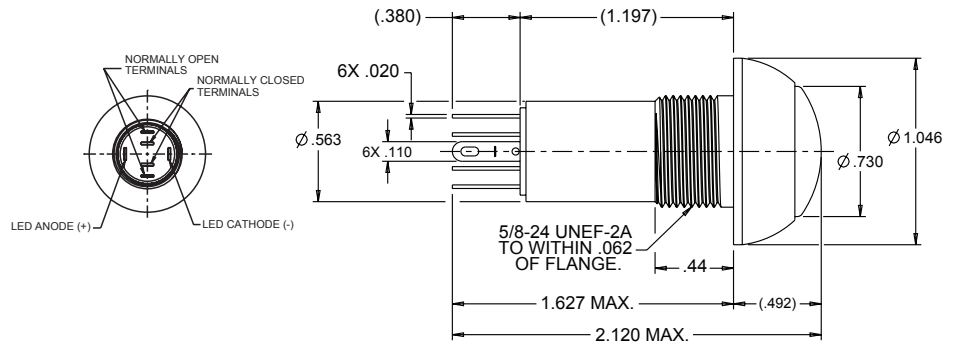
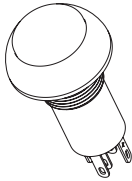
LP3-E

Momentary, Exposed Dome Button



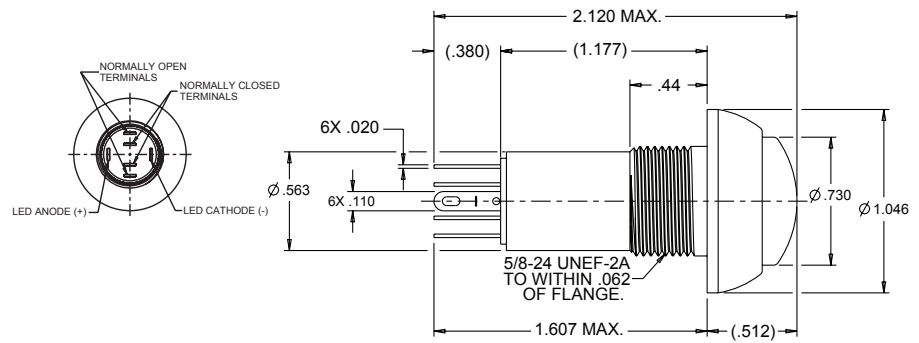
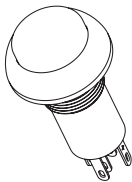
LP3-F

Momentary, Flush Dome Button



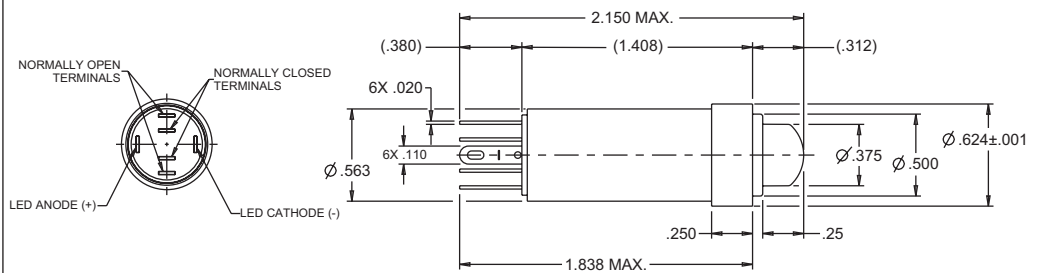
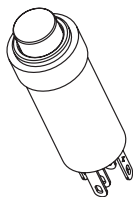
LP3-R

Momentary, Raised Dome Button



LP3-1

Momentary, Press Fit Mount



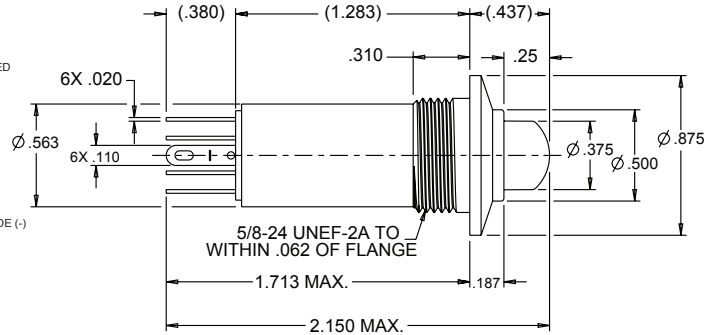
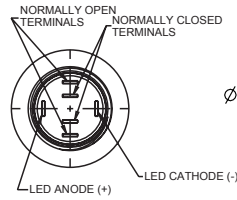
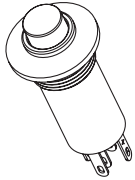
PUSHBUTTONS

ILLUMINATED & SEALED PUSHBUTTONS

MOMENTARY ACTION COMMERCIAL GRADE LED ILLUMINATED & SEALED

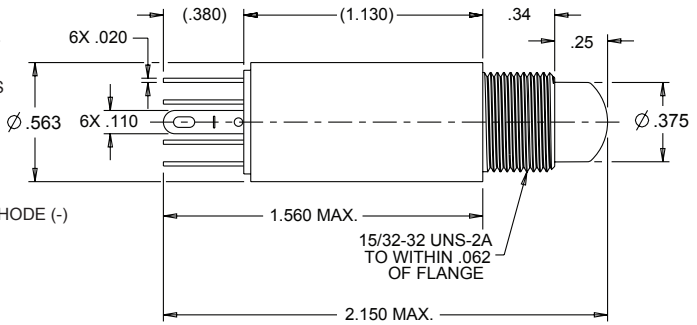
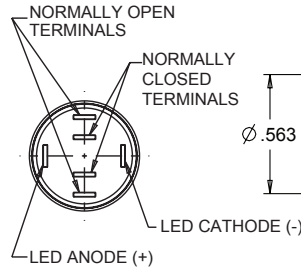
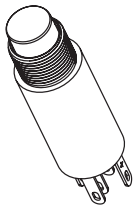
LP3-3

Momentary, 5/8" Threaded Front Mount



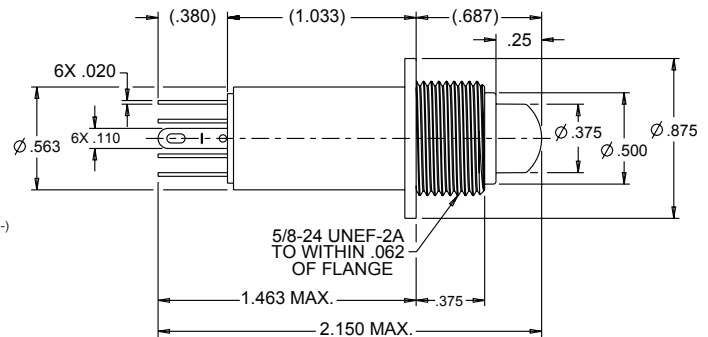
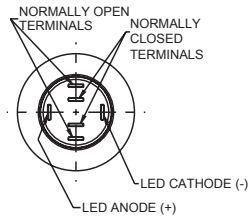
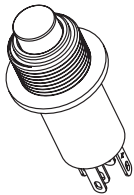
LP3-4

Momentary, 15/32" Threaded Rear Mount



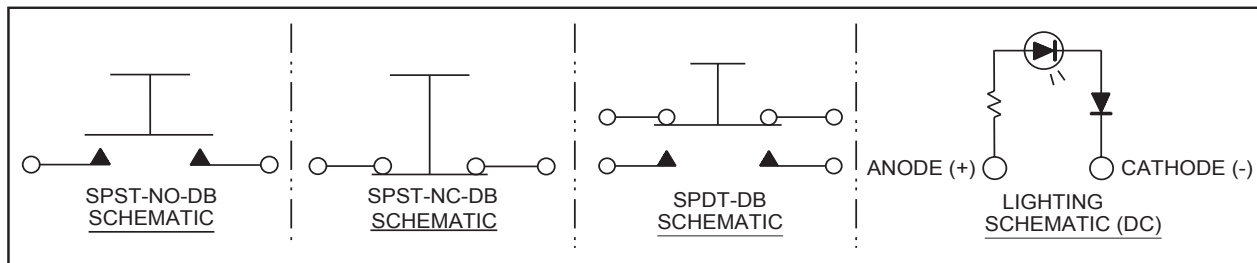
LP3-6

Momentary, 5/8" Threaded Rear Mount



NOTE:

For indicator light only,
see LPL indicator light pages 126-128.



ILLUMINATED VANDAL RESISTANT PUSHBUTTONS

LP3-V
ILLUMINATED
VANDAL RESISTANT
PUSHBUTTONS

MOMENTARY ACTION RING ILLUMINATED, VANDAL RESISTANT CASE & BUTTON



High Profile
Curved Button

The LP3-V is a momentary switch designed to provide attractive, lighted position indication for applications in harsh environments, where security and reliability are paramount. The series features both aluminum and stainless steel cases watertight to IP68S. Alternate action is available in the LP5-V series.

This high reliability switch offers the durability and ruggedness our customers have come to expect with the added benefit of illumination. They are ideal for marine, off-highway and industrial control applications that require an illuminated switch.

This switch offers positive tactile feedback, less than 25mΩ contact resistance, and a variety of LED colors available in both flat and domed actuator bezel shapes.

Features:

- Security (aluminum) or vandal resistant (stainless steel) case & button
- Ring illuminated
- Watertight to IP68S option
- Less than 25mΩ contact resistance
- Variety of button options and LED colors
- Drop in replacement to the P8-V series
- RoHS/WEEE/Reach compliant

Standard Characteristics/Ratings:

ELECTRICAL RATINGS:

Load	Sea Level @ 28VDC or 115VAC, 60/400Hz
Resistive	5A
Inductive	3A
Lamp	1A
Motor	3A
DWV	1050Vrms through switch contacts only
Low Level	10mA @ 30mV

Electrical Life: 25,000 cycles

LIGHTING:

Light Source Voltage (DC)	Actual Voltage Nominal (DC)	Voltage Max (DC)
2	2	2.6
6	7	8
12	13.5	14.5
24	28	28.6

Mechanical Life: 250,000 cycles @ +85°C
25,000 cycles @ -40°C

Seal: IP64 or IP68S

Operating Temp Range: -55°C to +85°C

Operating Force: 2.5 +/- 0.5 lb. or 5.0 +/- 1.0 lb.

Total Travel: 0.080 inches max

Overtravel: 0.010 inches min

MATERIALS:

Case: Stainless steel or anodized aluminum alloy

Button: Thermoplastic

Center Cap: Stainless steel or anodized aluminum alloy

Terminals: Standard silver plate with optional gold plate for low level applications

Mounting Hardware: Hex nut, lockwasher and panel gasket when applicable

LP3-V PART NUMBER CODE

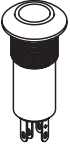
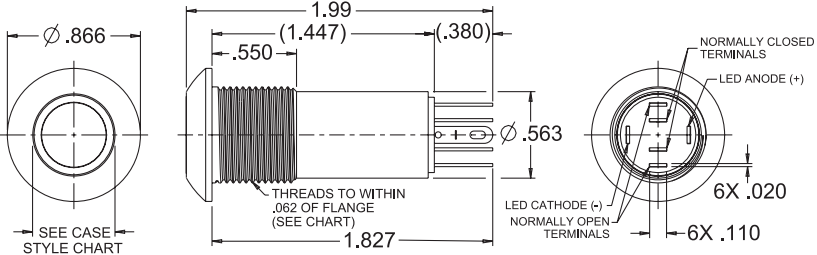
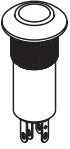
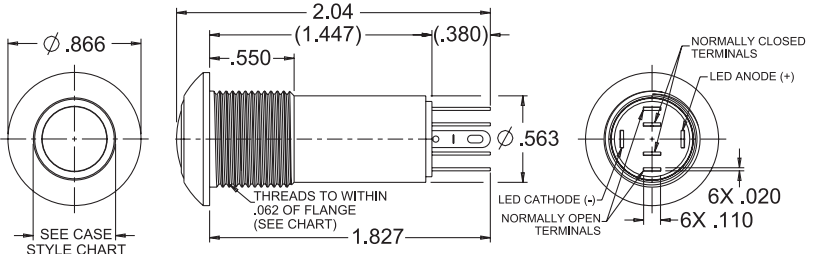
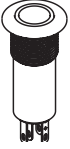
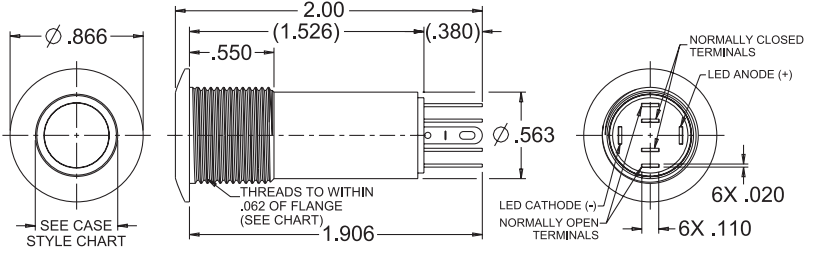
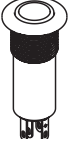
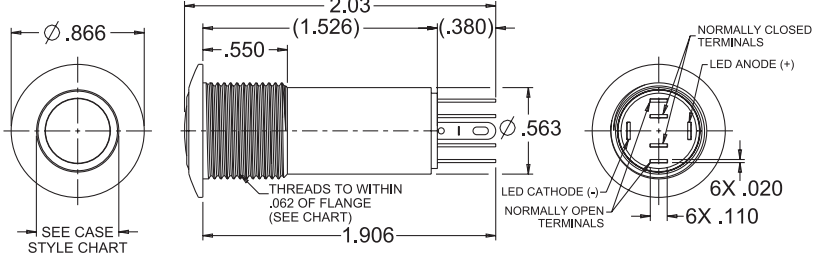
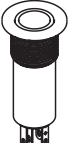
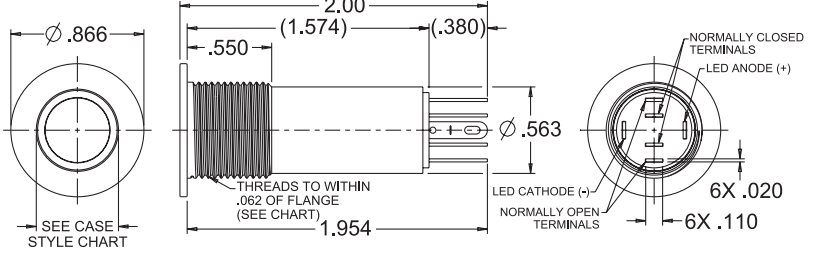
Type	Case Style	Circuit Rating	Light Source Type* w/ Rev. Pol Protection	Seal Level	Operating Force	Case/Center Cap Color	Button Profile
A. Aluminum	1. 5/8-24 & Hex Nut	1. SPST N.O./Std.	A. 2V Red LED	2. Dusttight	2. 2.5 lbs.	1. Silver	1. High Profile Flat Button
V. Stainless	2. 5/8-24 & Knurl Nut	2. SPST N.C./Std.	B. 2V Green LED	3. Watertight	5. 5.0 lbs.	2. Black**	2. High Profile Curved Button
	3. 5/8-24 W/D-Flat & Hex Nut	3. SPDT 2 Circuit/Std.	C. 2V Amber LED				3. Low Profile Flat Button
	4. 5/8-24 W/D-Flat & Knurl Nut	4. SPST N.O./Low Level	D. 6V Red LED				4. Low Profile Curved Button
	5. 3/4-20 & Hex Nut	5. SPST N.C./Low Level	E. 6V Green LED				5. Flush Profile Flat Button
	6. 3/4-20 & Knurl Nut	6. SPDT 2 Circuit/Low Level	F. 6V Amber LED				
	7. 3/4-20 W/D-Flat & Hex Nut		G. 12V Red LED				
	8. 3/4-20 W/D-Flat & Knurl Nut		H. 12V Green LED				
			J. 12V Amber LED				
			K. 24V Red LED				
			L. 24V Green LED				
			M. 24V Amber LED				
			N. 2V Blue LED				
			P. 6V Blue LED				
			Q. 12V Blue LED				
			R. 24V Blue LED				
			S. 2V Deep Green LED				
			T. 6V Deep Green LED				
			U. 12V Deep Green LED				
			V. 24V Deep Green LED				

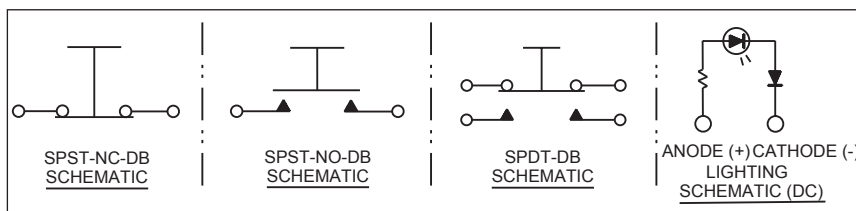
DIMENSION (BUTTON DIA.)	1 - 4	5 - 8
(BUTTON DIA.)	0.525	0.590
(THREAD)	5/8-24 UNEF-2A	3/4-20 UNEF-2A
FLAT	0.594	0.718

*2V LED's are intended for use with an external resistor. See appendix for complete voltage/ratings table. For additional LED lighting options, contact factory.
** Only available on LP3-A styles.

PUSHBUTTONS

MOMENTARY ACTION RING ILLUMINATED, VANDAL RESISTANT CASE & BUTTON

<p>LP3-XXXXXXX1 High Profile Flat Button</p> 	
<p>LP3-XXXXXXX2 High Profile Curved Button</p> 	
<p>LP3-XXXXXXX3 Low Profile Flat Button</p> 	
<p>LP3-XXXXXXX4 Low Profile Curved Button</p> 	
<p>LP3-XXXXXXX5 Flush Profile Flat Button</p> 	



ILLUMINATED ALTERNATE ACTION PUSHBUTTONS

LP5
ILLUMINATED
PUSHBUTTONS

ALTERNATE ACTION, LED ILLUMINATED & SEALED

Front Mount



Raised Dome



The LP5 offers the same rugged, sealed construction as the proven P5 series with the added benefit of reliable LED illumination. It is a precision snap-action switch designed for use in off-highway, material handling, industrial controls, marine, medical and other demanding Commercial applications. Choose from the standard mounting styles and electrical ratings, or contact us for custom configurations.

Now you can design panels with both alternate and momentary action switches and have uniform panel appearance. The OTTO LP5 series features alternate action in the same pushbutton and housing configurations as the OTTO momentary LP3 series.

Push and the LP5 series switch turns "on." Push again and the LP5 switch turns "off." Positive tactile feedback is featured so the operator is clearly aware the switch mode has been actuated. The button returns to the original position after each actuation.

Features:

- **Watertight to IP68S; moistureproof & dusttight to IP64**
- **LED lighted with the ability to accommodate 2, 6, 12 & 24VDC power & includes reverse voltage protection**
- **Tall & dome style buttons in translucent white, red & amber permitting sublimated & pad printed legends**
- **Less than 25mΩ contact resistance**
- **Quick disconnect terminals**
- **15/32" & 5/8" thread, press fit & dome case options**
- **RoHS/WEEE/Reach compliant**

Standard Characteristics/Ratings:		
ELECTRICAL RATINGS:		
Load	Sea Level @ 28VDC or 115VAC, 60/400Hz	
Resistive	5A	
Inductive	3A	
Lamp	1A	
Motor	3A	
DWV	1050Vrms through switch contacts only	
Low Level	10mA @ 30mV	
Electrical Life:	25,000 cycles	
LIGHTING:		
Light Source Voltage (DC)	Actual Voltage Nominal (DC)	Voltage Max (DC)
2	2	2.6
6	7	8
12	13.5	14.5
24	28	28.6
Mechanical Life:	200,000 cycles	
Seal:	IP64 or IP68S	
Operating Temp Range:	-40°C to +85°C	
Operating Force:	3.0 lbs. +1.0/-0.5 lb.	
Total Travel:	0.180 inches max	
Overtravel:	0.012 inches min	
MATERIALS:		
Case:	Anodized aluminum alloy	
Button:	Thermoplastic	
Terminals:	Standard silver plate with optional gold plate for low level applications	
Mounting Hardware:	Hex nut, lockwasher and panel gasket when applicable	

LP5 PART NUMBER CODE

LP5 - X X X X - XX

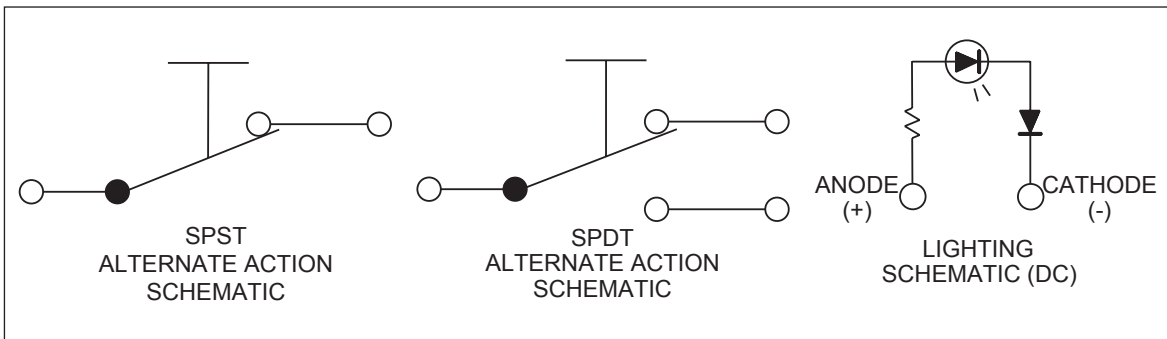
Case Style	Circuit Rating	Light Source Type* w/ Rev. Pol Protection	Seal Level	Case Color	Button Color	Legend Style
E. Exposed Dome	1. SPST/Std.	A. 2V Red LED	1. Unsealed	1. Silver	A. Amber, Translucent (use Amber LED)	Refer to Legend Table for legend codes in Appendix. Legends will be printed in white on amber and red buttons and in black on white buttons.
F. Flush Dome	2. SPDT/Std.	B. 2V Green LED	2. Dusttight	2. Black	R. Red, Translucent (use Red LED)	
R. Raised Dome	3. SPST/Low Level	C. 2V Amber LED	3. Watertight		W. White, Translucent	
1. Press Fit Mount	4. SPDT/Low Level	D. 6V Red LED				
3. 5/8" Thread Front Mount		E. 6V Green LED				
4. 15/32" Thread Rear Mount		F. 6V Amber LED				
6. 5/8" Thread Rear Mount		G. 12V Red LED				
		H. 12V Green LED				
		J. 12V Amber LED				
		K. 24V Red LED				
		L. 24V Green LED				
		M. 24V Amber LED				
		N. 2V Blue LED				
		P. 6V Blue LED				
		Q. 12V Blue LED				
		R. 24V Blue LED				
		S. 2V Deep Green LED				
		T. 6V Deep Green LED				
		U. 12V Deep Green LED				
		V. 24V Deep Green LED				

STOP HERE for illuminated switches without legends.

* 2V LED's are intended for use with an external resistor. See appendix for complete voltage/ratings table. For super bright LEDs, contact factory.

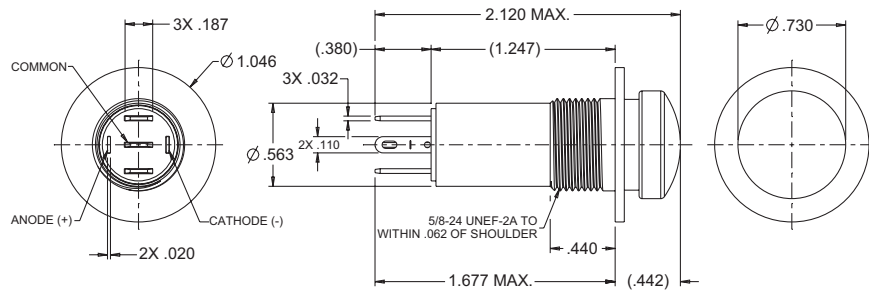
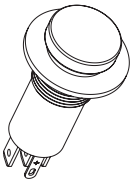
PUSHBUTTONS

ALTERNATE ACTION, LED ILLUMINATED & SEALED



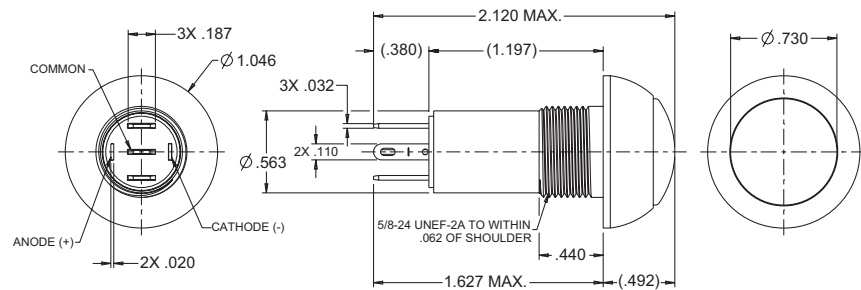
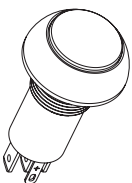
LP5-E

Alternate Action, Exposed Dome Button



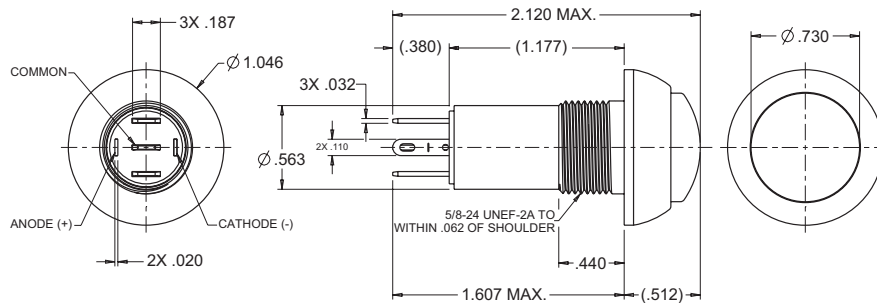
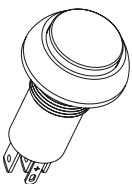
LP5-F

Alternate Action, Flush Dome Button



LP5-R

Alternate Action, Raised Dome Button



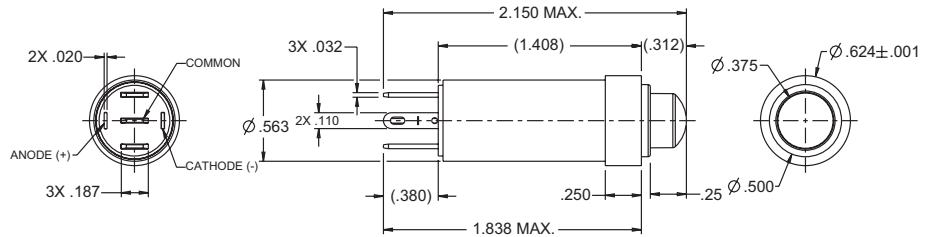
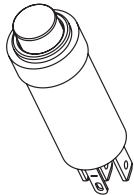
ILLUMINATED ALTERNATE ACTION PUSHBUTTONS

LP5
ILLUMINATED
PUSHBUTTONS

ALTERNATE ACTION, LED ILLUMINATED & SEALED

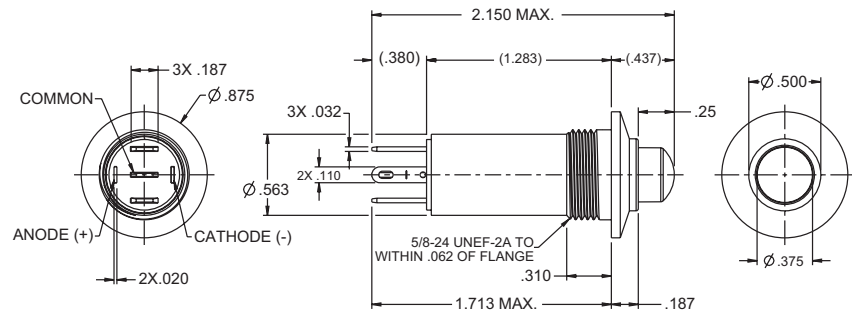
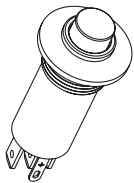
LP5-1

Alternate Action, Press Fit Mount



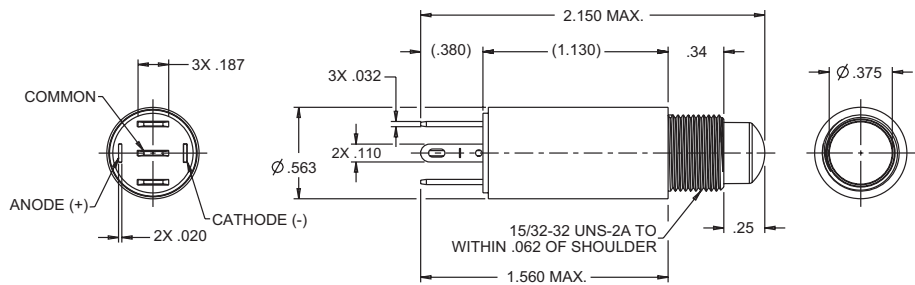
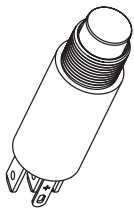
LP5-3

Alternate Action, 5/8" Threaded Front Mount



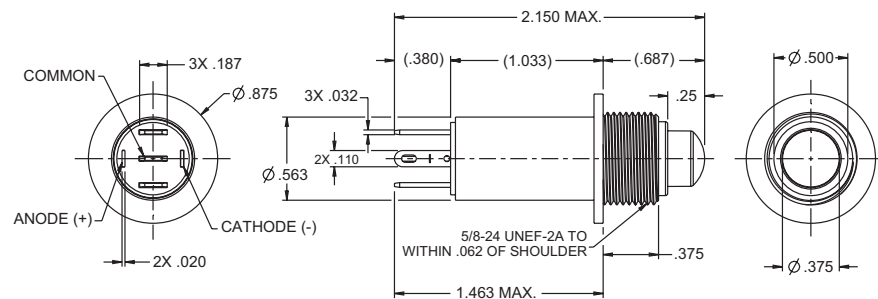
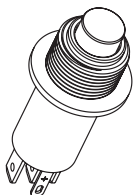
LP5-4

Alternate Action, 15/32" Threaded Rear Mount



LP5-6

Alternate Action, 5/8" Threaded Rear Mount



NOTE:
For indicator light only,
see LPL indicator light pages 125-127.

PUSHBUTTONS

ALTERNATE ACTION RING ILLUMINATED, METAL CASE & BUTTON



High Profile
Curved Button



The LP5-V series is an alternate action switch that has been designed to provide attractive, lighted position indication for applications in harsh environments, where security and reliability are paramount. The series features both aluminum and stainless steel cases watertight to IP68S. UL1500 ignition protected. Momentary action is available in the LP3-V series.

This high reliability switch offers the durability and ruggedness our customers have come to expect with the added benefit of illumination. Ideal for marine, off-highway and industrial control applications that require an illuminated switch.

This switch offers positive tactile feedback, less than 25mΩ contact resistance, and a variety of LED colors available in both flat and domed actuator bezel shapes.

Features:

- Security (aluminum) or vandal resistant (stainless steel) case & button
- Ring illuminated
- Watertight to IP68S
- Less than 25mΩ contact resistance
- Variety of button options and LED colors
- Drop in replacement to the P5-V series
- UL recognized & CSA certified
- RoHS/WEEE/Reach compliant

Standard Characteristics/Ratings:		
ELECTRICAL RATINGS:		
Load	Sea Level @ 28VDC or 115VAC, 60/400Hz	
Resistive	5A	
Inductive	3A	
Lamp	1A	
Motor	3A	
DWV	1050Vrms through switch contacts only	
Low Level	10mA @ 30mV	
Electrical Life:	25,000 cycles	
LIGHTING:		
Light Source Voltage (DC)	Actual Voltage Nominal (DC)	Voltage Max (DC)
2	2	2.6
6	7	8
12	13.5	14.5
24	28	28.6
Mechanical Life:	200,000 cycles	
Seal:	IP64 or IP68S	
Operating Temp Range:	-40°C to +85°C	
Operating Force:	3.0 lbs. +1.0/-0.5 lb.	
Total Travel:	0.180 inches max	
Overtravel:	0.012 inches min	
MATERIALS:		
Case:	Stainless steel or anodized aluminum alloy	
Button:	Thermoplastic	
Center Cap:	Stainless steel or aluminum	
Terminals:	Standard and low level options available	
Mounting Hardware:	Hex nut, lockwasher and panel seal gasket	

LP5-V PART NUMBER CODE

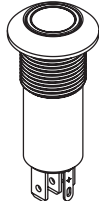
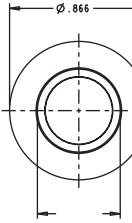
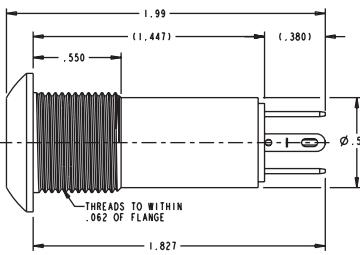
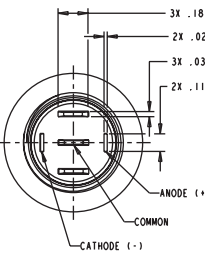
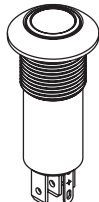
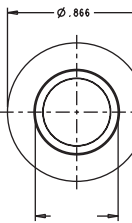
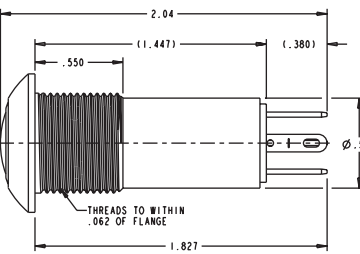
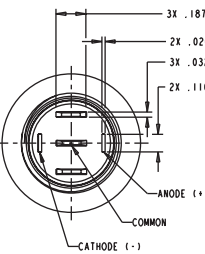
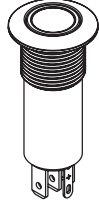
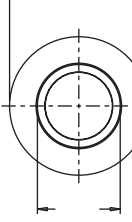
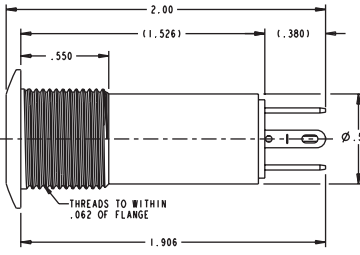
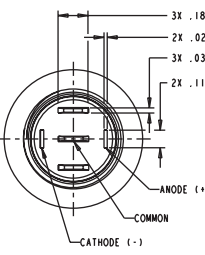
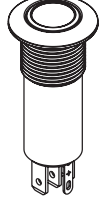
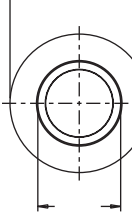
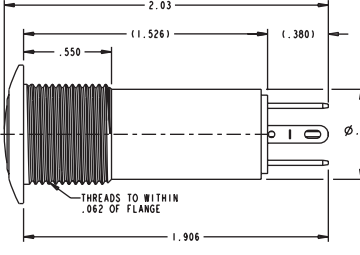
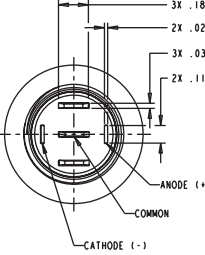
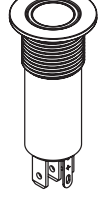
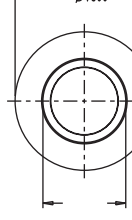
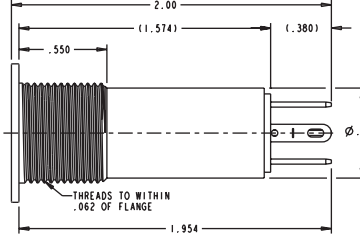
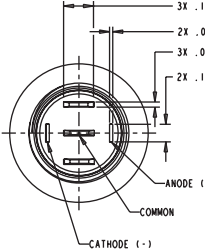
	LP5	-	X	X	X	X	X	X	X					
	Type		Case Style		Circuit Rating		Light Source Type* w/ Rev. Pol Protection		Seal Level		Case/Center Cap Color		Button Profile	
A.	Aluminum	1.	5/8-24 & Hex Nut	0.	Indicator Light	A.	2V Red LED	2.	Dusttight	1.	Silver	1.	High Profile Flat Button	
V.	Stainless	2.	5/8-24 & Knurl Nut	1.	SPST/Std.	B.	2V Green LED	3.	Watertight	2.	Black**	2.	High Profile Curved Button	
		3.	5/8-24 W/D-Flat & Hex Nut	2.	SPDT/Std.	C.	2V Amber LED					3.	Low Profile Flat Button	
		4.	5/8-24 W/D-Flat & Knurl Nut	3.	SPST/Low Level	D.	6V Red LED					4.	Low Profile Curved Button	
		5.	3/4-20 & Hex Nut	4.	SPDT/Low Level	E.	6V Green LED					5.	Flush Profile Flat Button	
		6.	3/4-20 & Knurl Nut			F.	6V Amber LED							
		7.	3/4-20 W/D-Flat & Hex Nut			G.	12V Red LED							
		8.	3/4-20 W/D-Flat & Knurl Nut			H.	12V Green LED							
						J.	12V Amber LED							
						K.	24V Red LED							
						L.	24V Green LED							
						M.	24V Amber LED							
						N.	2V Blue LED							
						P.	6V Blue LED							
						Q.	12V Blue LED							
						R.	24V Blue LED							
						S.	2V Deep Green							
						T.	6V Deep Green							
						U.	12V Deep Green							
						V.	24V Deep Green							

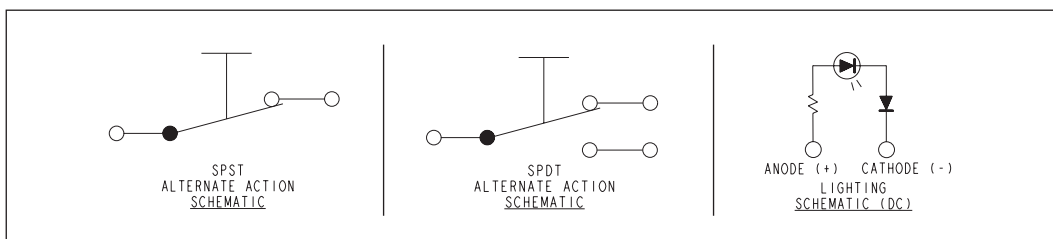
*2V LED's are intended for use with an external resistor. See appendix for complete voltage/ratings table. For additional LED lighting options, contact factory.
** Only available on LP5-A styles.

ILLUMINATED VANDAL RESISTANT PUSHBUTTONS

LP5-V
ILLUMINATED
VANDAL RESISTANT
PUSHBUTTONS

ALTERNATE ACTION RING ILLUMINATED, STAINLESS STEEL CASE & BUTTON

<p>High Profile Flat Button Button Profile Style 1</p> 			
<p>High Profile Curved Button Button Profile Style 2</p> 			
<p>Low Profile Flat Button Button Profile Style 3</p> 			
<p>Low Profile Curved Button Button Profile Style 4</p> 			
<p>Flush Profile Flat Button Button Profile Style 5</p> 			



SEALED ILLUMINATED PUSHBUTTONS

MOMENTARY ACTION, SEALED TO IP68S, COMPACT BEZEL

While sharing similar size and characteristics to the P9 and LP7-D series pushbutton switches, the LP7 series illuminated momentary action pushbutton switches have a compact bezel for a lower above-panel profile.

The LP7 is manufactured to the highest standards and built to withstand harsh environments, offering excellent mechanical and electrical performance while operating under severe conditions found in demanding applications. Built with an anodized aluminum alloy case, the LP7 is tested to one million mechanical operations and has an electrical life of 25,000 cycles.

The LP7 series offers LED lighting in a variety of colors and can accommodate 2 & 12VDC power. Button versions include flush dome and raised dome.

With a watertight to IP68S seal, the LP7 is a quality precision switch designed for use in panels, control grips, computers, instruments, heavy equipment and other demanding applications where attractive, highly ruggedized pushbutton switches are required.

Features:

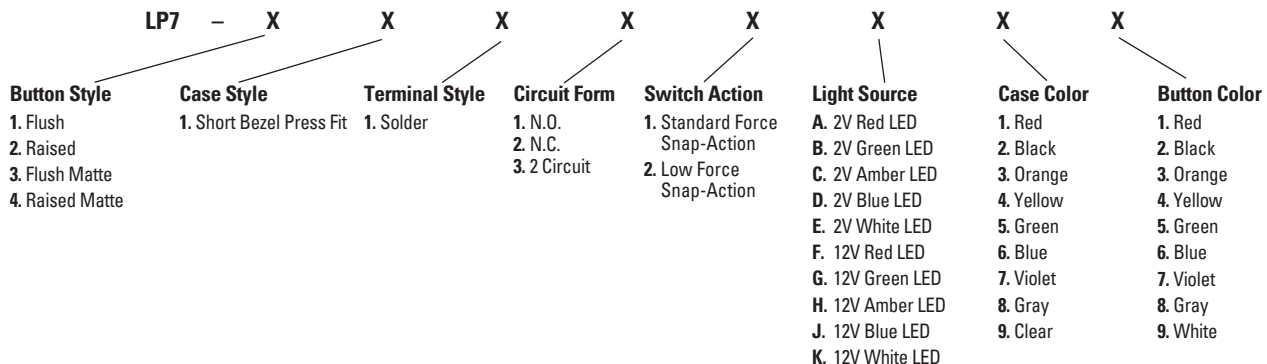
- **Compact bezel**
- **Watertight to IP68S**
- **LED illuminated with the ability to accommodate 2 & 12VDC power**
- **Standard and low level options**
- **Flush and raised buttons in glossy or matte finish available in a variety of colors**
- **15/32" threaded case style**
- **RoHS/WEEE/Reach compliant**



Raised Dome
Also available with
Flush Dome

Standard Characteristics/Ratings:			
ELECTRICAL RATINGS: Sea Level @ 28VDC or 115VAC			
Load	N.O./N.C.	Cycles	Operating Force
Resistive	5A	25,000	Standard Force
Inductive	3A	25,000	Standard Force
Resistive	500mA	500,000	Standard Force
Resistive	200mA	500,000	Low Force
DWV	1050Vrms through switch contacts only		
Low Level	10mA @ 30mV		
Electrical Life:	25,000 cycles		
LIGHTING:			
Light Source Voltage (DC)	Actual Voltage Nominal (DC)	Voltage Max (DC)	
2	2	2.6	
12	13.5	14.5	
Mechanical Life:	1,000,000 cycles		
Seal:	IP68S		
Operating Temp Range:	-55°C to +85°C		
Operating Force:	1.7 lbs. ± 0.5 lbs. Standard Force, 12 oz. ± 4 oz. Low Force		
Total Travel:	.080 inches max		
Overtravel:	.010 inches min		
MATERIALS:			
Case:	Anodized aluminum alloy		
Button:	Thermoplastic		
Terminals:	Gold plate		
Contacts:	Gold plated silver alloy		
Mounting Hardware:	Hex nut, lockwasher and panel seal gasket		

LP7 PART NUMBER CODE

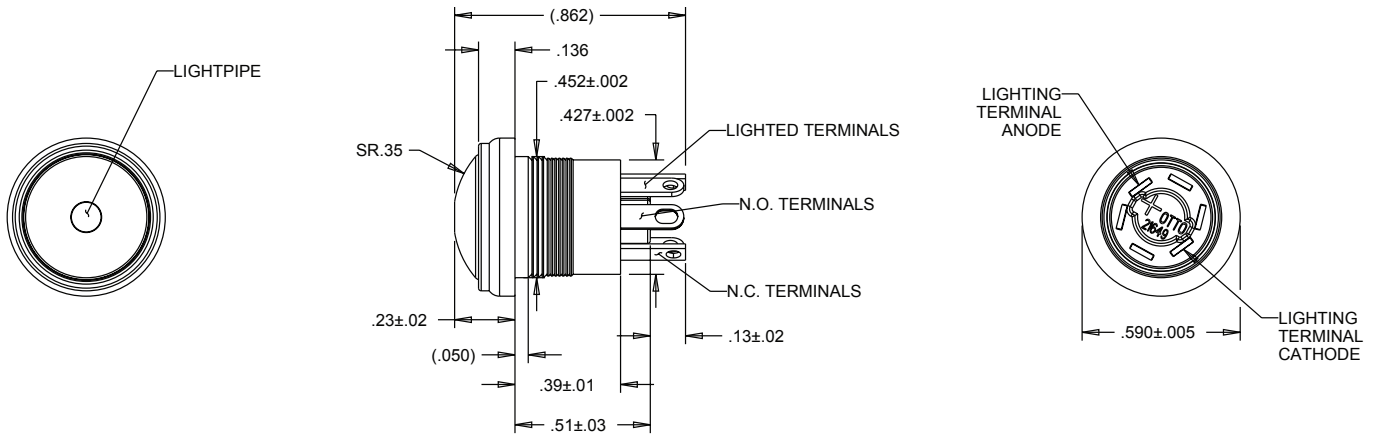


SEALED ILLUMINATED PUSHBUTTONS

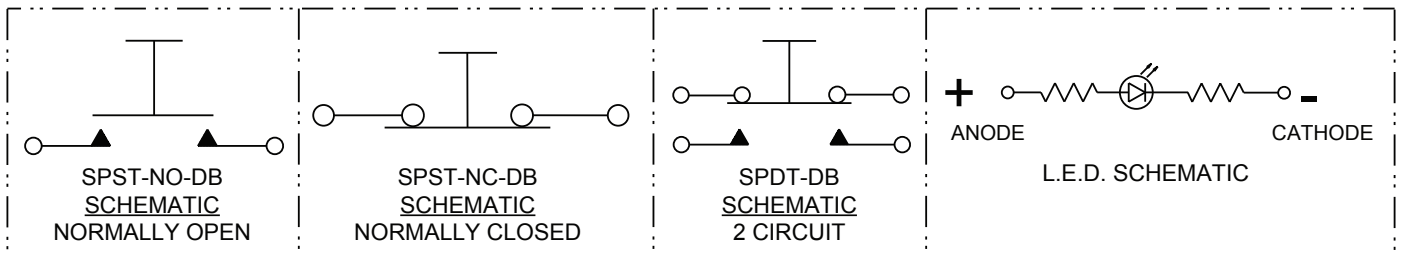
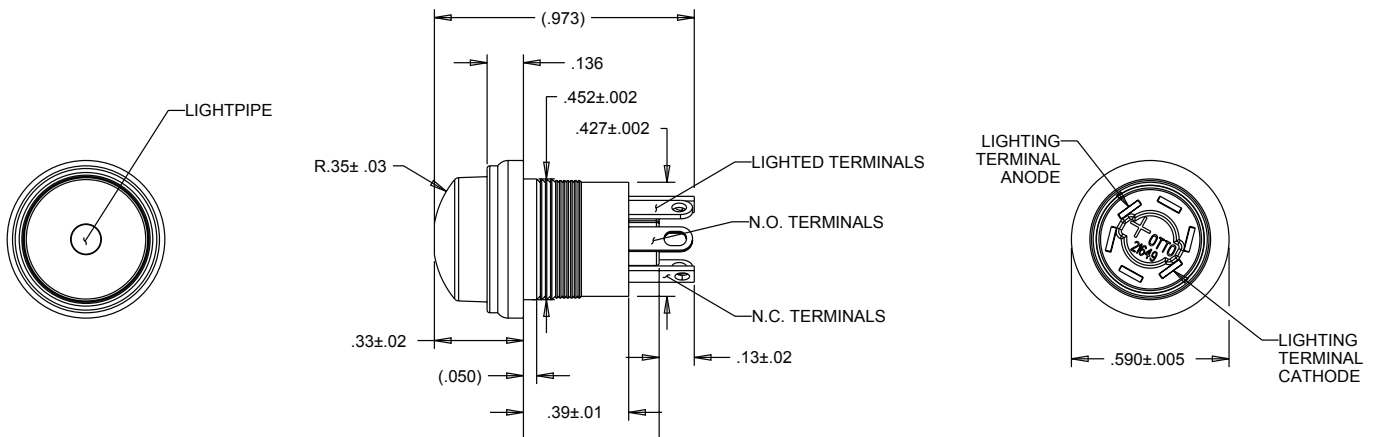
LP7
ILLUMINATED
PUSHBUTTONS

MOMENTARY ACTION, SEALED TO IP68S, COMPACT BEZEL

Flush Button - Short Bezel



Raised Button - Short Bezel



PUSHBUTTONS

MOMENTARY ACTION, ATTRACTIVE & HIGHLY RUGGEDIZED FOR WET & DUSTY ENVIRONMENTS

The LP7-D series pushbutton switches feature a contoured round dome style or square pushbutton. While sharing similar size and characteristics to the P9 series, the LP7-D offers added durability with its anodized aluminum alloy case.

Button versions include flush or raised round dome in glossy or matte finish and raised square in matte finish. The switch series features short behind panel depth. It also offers excellent mechanical and electrical performance while operating under severe conditions found in demanding applications.

The LP7-D Dome series offers one million mechanical operations and an electrical life of 25,000 operations.

The LP7-D series is manufactured to the highest standards and built to withstand harsh environments, offering anodized aluminum alloy cases with seal options of dusttight to IP64 or watertight to IP68S. The LP7-D series offers long life LED lighting in a variety of colors and can accommodate 2 & 12VDC power.

The LP7-D Dome series is a quality precision switch designed for use in panels, control grips, computers, instruments, heavy equipment and other demanding applications where attractive, highly ruggedized pushbutton switches are required.

Features:

- Flush and raised round buttons with glossy or matte finish in a variety of colors
- Raised square button option with matte finish in a variety of colors
- Watertight to IP68S; dusttight to IP64
- LED illuminated with the ability to accommodate 2 & 12VDC power
- 15/32" threaded case style
- RoHS/WEEE/Reach compliant



Flush Dome
Also available with
Raised Dome



Square Dome
with Matte Finish

Standard Characteristics/Ratings:		
ELECTRICAL RATINGS:		Sea Level @ 28VDC or 115VAC
Load	N.O./N.C.	S.P.D.T
Resistive	5A	4A
Inductive	3A	2A
Motor	3A	N/A
DWV	1050Vrms through switch contacts only	
Low Level	10mA @ 30mV	
Electrical Life:	25,000 cycles	
LIGHTING:		
Light Source Voltage (DC)	Actual Voltage Nominal (DC)	Voltage Max (DC)
2	2	2.6
12	13.5	14.5
Mechanical Life:	1,000,000 cycles	
Seal:	IP64 or IP68S	
Operating Temp Range:	-40°C to +85°C	
Operating Force:	1.7 lbs. ± 0.5 lbs.	
Total Travel:	0.080 inches max	
Overtravel:	0.010 inches min	
MATERIALS:		
Case:	Anodized aluminum alloy	
Button:	Thermoplastic	
Terminals:	Silver with gold plate	
Mounting Hardware:	Hex nut, lockwasher and panel seal gasket	

LP7-D PART NUMBER CODE

LP7-D	X	X	X	X	X	X
Button Style	Terminal Style/Seal	Circuit Form	Contact Rating	Light Source**	Case Color	Button Color
<ol style="list-style-type: none"> 1. Flush Round 2. Raised Round 3. Flush Matte Round 4. Raised Matte Round 5. Raised Matte Square 6. Flush Round Fully Illuminated* 7. Raised Round Fully Illuminated* 	<ol style="list-style-type: none"> 1. Standard Solder Terminal Dusttight 2. Standard Solder Terminal Watertight 3. P.C. Pin Terminal Dusttight 4. P.C. Pin Terminal Watertight 	<ol style="list-style-type: none"> 1. N.O. 2. N.C. 3. 2 Circuit 	<ol style="list-style-type: none"> 1. Standard Current 2. Low Level Current 	<ol style="list-style-type: none"> A. 2V Red LED B. 2V Green LED C. 2V Amber LED D. 2V Blue LED E. 2V White LED F. 12V Red LED G. 12V Green LED H. 12V Amber LED J. 12V Blue LED K. 12V White LED L. 2V Deep Green LED M. 12V Deep Green LED 	<ol style="list-style-type: none"> 1. Clear 2. Black 	<ol style="list-style-type: none"> 1. Red 2. Black 3. Orange 4. Yellow 5. Green 6. Blue 7. Violet 8. Gray 9. White A. Translucent White*

* Full illumination button styles available with translucent Button Color selection A only.

** 2V LED's are intended for use with an external resistor. See LED voltage chart in appendix for details on the approximate value of the resistor.

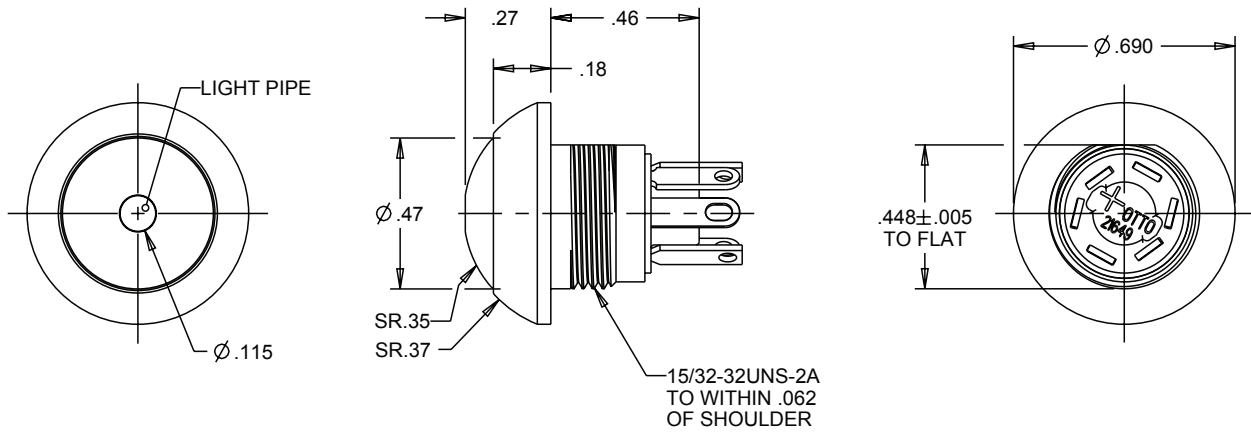
SEALED DOME ILLUMINATED PUSHBUTTONS

LP7-D
ILLUMINATED
PUSHBUTTONS

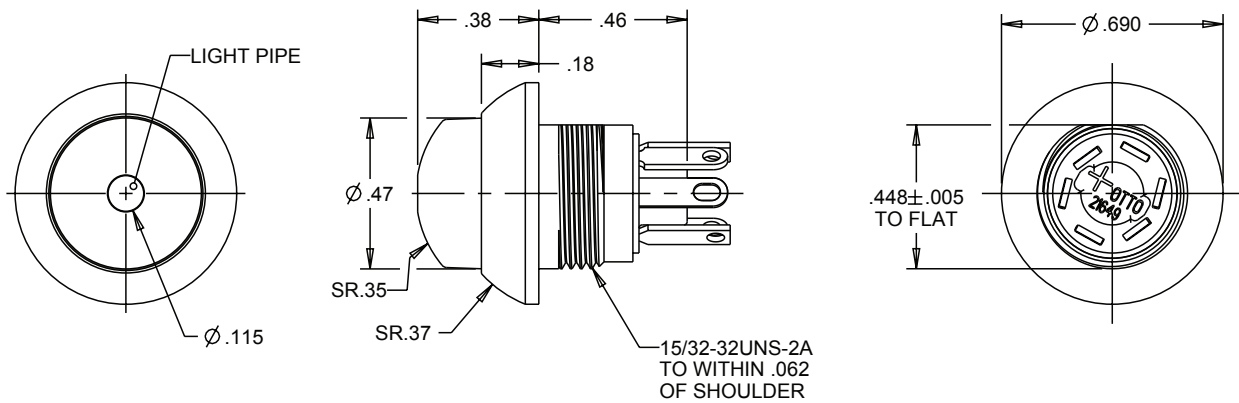
MOMENTARY ACTION, ATTRACTIVE & HIGHLY RUGGEDIZED FOR WET & DUSTY ENVIRONMENTS

Button Options

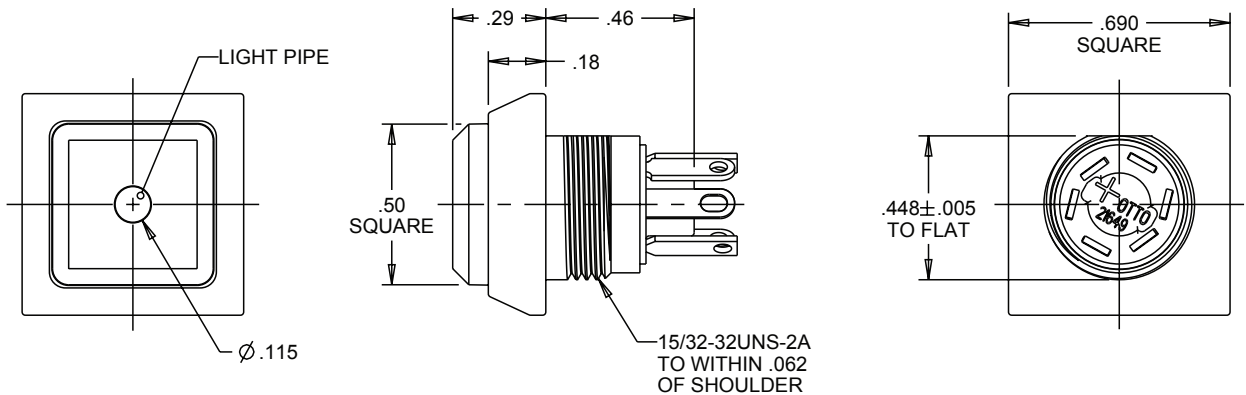
**FLUSH DOME
(STYLE 1 & 3)**



**RAISED DOME
(STYLE 2 & 4)**



**SQUARE DOME
(STYLE 5)**

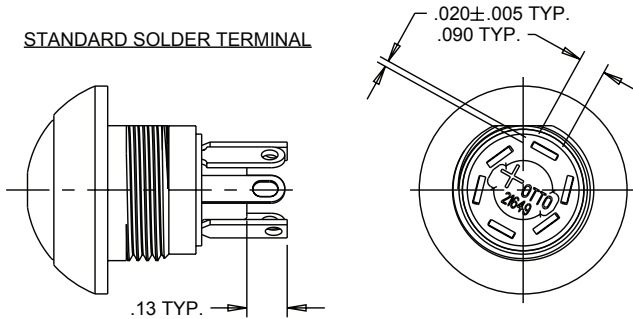


PUSHBUTTONS

MOMENTARY ACTION, ATTRACTIVE & HIGHLY RUGGEDIZED FOR WET & DUSTY ENVIRONMENTS

Terminal Options

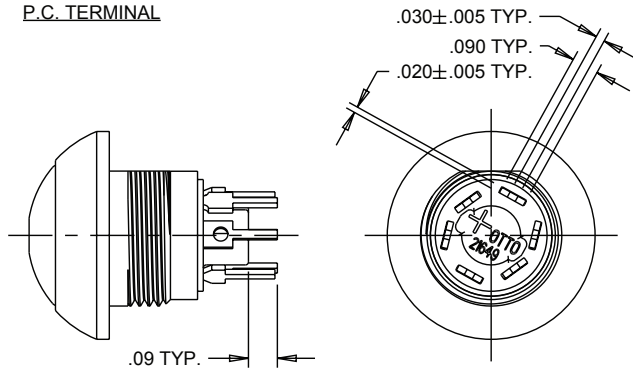
STANDARD SOLDER TERMINAL



N.O. TERMINALS: ROUND END, SLOTTED HOLE (.084 X .055)
N.C. TERMINALS: SQUARE END, ROUND HOLE (Ø .055)
LED TERMINALS: ROUND END, ROUND HOLE (Ø .055)

(PLUS SYMBOL "+" DENOTES LOCATION OF LED TERMINAL ANODE AND LED TERMINAL CATHODE IS 180° OPPOSITE OF ANODE TERMINAL)

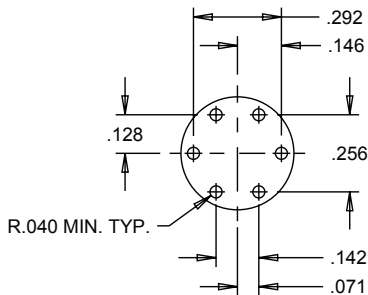
P.C. TERMINAL



N.O. TERMINALS: ROUND HOLE (Ø .048)
N.C. TERMINALS: NO HOLE
LED TERMINALS: ROUND END, ROUND HOLE

(PLUS SYMBOL "+" DENOTES LOCATION OF LED TERMINAL ANODE AND LED TERMINAL CATHODE IS 180° OPPOSITE OF ANODE TERMINAL)

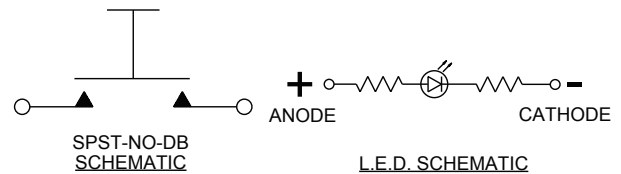
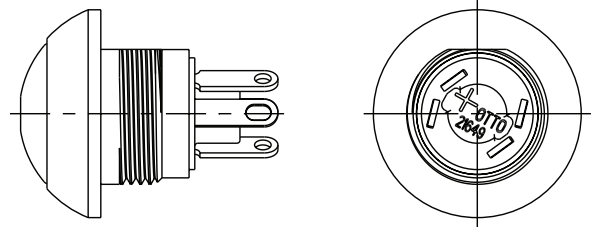
TERMINALS ORIENTED TO CASE FLAT AS SHOWN WITHIN ± 10°
(P.C. TERMINALS ONLY)



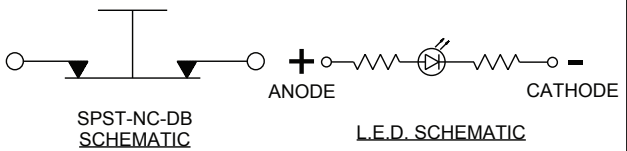
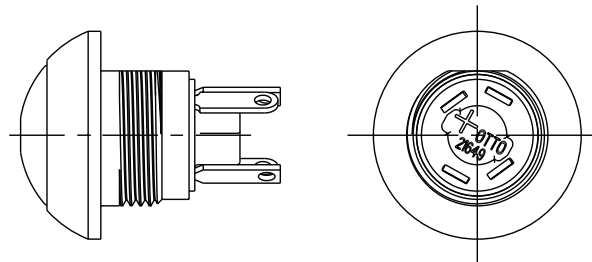
COMPONENT SIDE P.C. MOUNTING
PATTERN, CASE FLAT ON ABOVE
AS DEPICTED IN SWITCH VIEW

Circuit Options

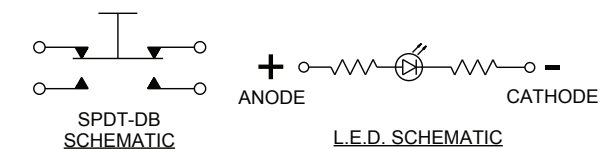
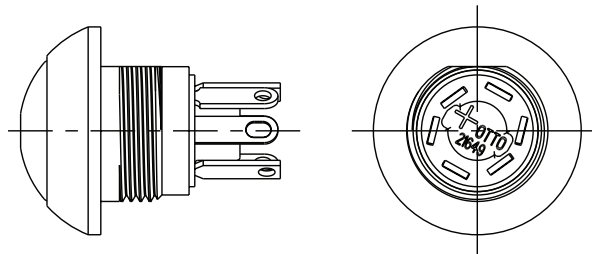
NORMALLY OPEN



NORMALLY CLOSED



2 CIRCUIT



ILLUMINATED SEALED DOME PUSHBUTTONS

LP9
ILLUMINATED
PUSHBUTTONS

MOMENTARY ACTION COMMERCIAL GRADE LED ILLUMINATED & WATERTIGHT SEALED

The OTTO LP9 Lighted Dome series is a quality precision switch designed for use in panels, control grips, instruments, heavy equipment and other demanding applications where attractive, rugged, lighted pushbutton switches are required.

The LP9 series offers a positive tactile feedback, signaling the operator when the switch is operated with the added benefit of reliable LED illumination. The LP9 series offers four button versions; flush and raised profile with either a glossy or matte finish. It also comes with a threaded case for hex nut mounting while providing a short behind panel depth.

The LP9 series is constructed to meet IP68S watertight seal. Expect 25,000 operations at full rated load of 5 amps resistive or 3 amps inductive; 500,000 operations at 500mA/200mA resistive.

These momentary snap-action double break switches are available in standard and low operate forces. The LED is available in six colors and has the ability to accommodate 2 or 12VDC.

Features:

- **Watertight to IP68S**
- **LED lighting available in 6 colors with the ability to accommodate 2 or 12VDC**
- **Flush & raised button style**
- **Matte or glossy button finish**
- **Full button illumination style available with glossy button finish**
- **Positive tactile feedback contact transfer**
- **Withstands extreme shock & vibration**
- **Short behind panel depth**
- **RoHS/WEEE/Reach compliant**



Flush Dome
Also available with
Raised Dome



Raised Dome
Full Illumination Style
Also available with
Flush Dome

Standard Characteristics/Ratings:				
ELECTRICAL RATINGS:		Sea Level @ 28VDC or 115VAC, 60/400Hz		
Load	N.O./N.C.	2 Circuit	Cycles	Operating Force
Resistive	5A	4A	25,000	Standard
Inductive	3A	2A	25,000	Standard
Resistive	500mA		500,000	Standard
Resistive	200mA		500,000	Low
DWV	1000Vrms through switch contacts only			
Low Level	10-100mA @ 3-28V		1,000,000	
Electrical Life:		See Rating Chart		
MECHANICAL:				
Mechanical Life:		1,000,000 cycles		
Seal:		IP68S		
Operating Temp Range:		-40°C to +85°C		
Operating Force:		1.7 +/- 0.5 lb. (standard force) 12 +/- 4 oz (low force)		
Total Travel:		0.080 inches max		
Overtravel:		0.010 inches min		
MATERIALS:				
Case:		Thermoplastic		
Button:		Thermoplastic		
Terminals:		Brass with gold over silver		
Mounting Hardware:		Hex nut, lockwasher and panel gasket for round/threaded style case Panel gasket for snap-in style case only		

LP9 PART NUMBER CODE

LP9	-	X	X	X	X	X	X	X
Button Style*		Case Style*	Terminal Style	Circuit Form	Operating Force	Light Source	Case Color	Button Color
1. Flush		1. Round/Threaded	1. Solder	1. N.O.	1. Standard	A. 2V Red LED ②	1. Red	1. Red
2. Raised		2. Snap-In	2. PC Pin	2. N.C.	2. Low Force	B. 2V Green LED ②	2. Black	2. Black
3. Flush Matte				3. 2 Circuit	Snap-Action	C. 2V Amber LED ②	3. Orange**	3. Orange
4. Raised Matte						D. 2V Blue LED ②	4. Yellow**	4. Yellow
5. Flush - Full Illumination ①						E. 2V White LED ②	5. Green**	5. Green
6. Raised - Full Illumination ①						F. 12V Red LED	6. Blue**	6. Blue
						G. 12V Green LED	7. Violet**	7. Violet
						H. 12V Amber LED	8. Gray**	8. Gray
						J. 12V Blue LED	9. White	9. White
						K. 12V White LED		A. Translucent White ①
						L. 2V Deep Green LED ②		
						M. 12V Deep Green LED		

* Button and case will be of the same texture.
For all mixed gloss/matte combination options, contact factory.

** For minimum requirement, contact factory.

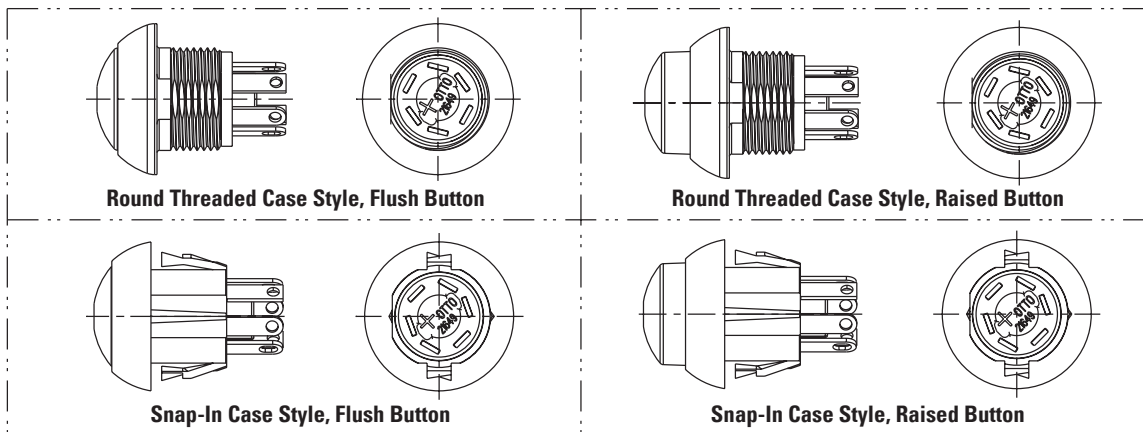
① Full illumination button styles available with translucent Button Color selection A only.

② 2V LED's are intended for use with an external resistor. See LED voltage chart in appendix for details on the approximate value of the resistor.

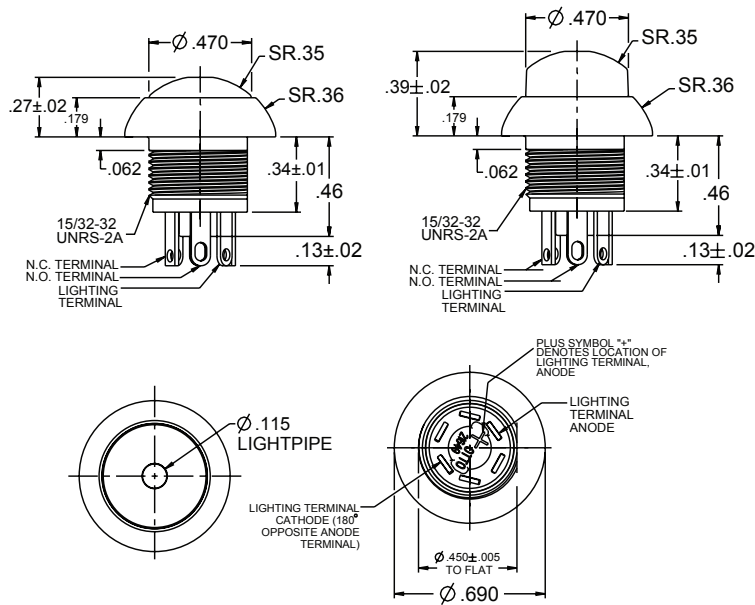
PUSHBUTTONS

ILLUMINATED SEALED DOME PUSHBUTTONS

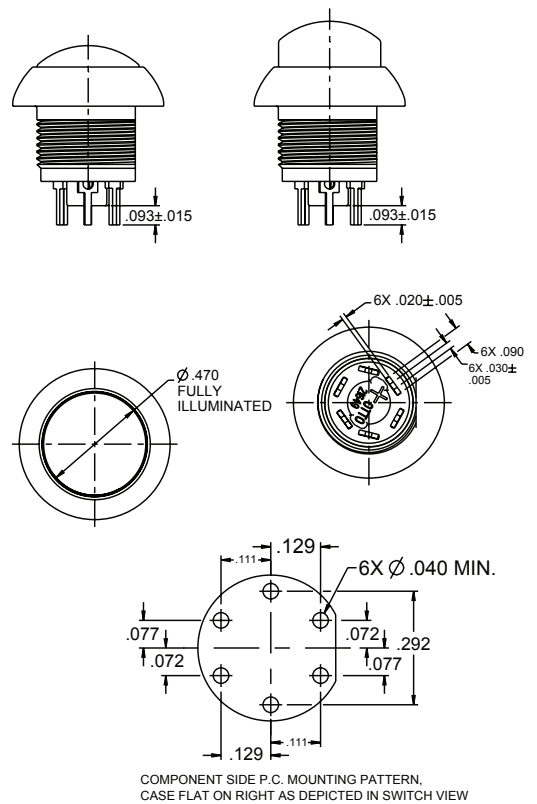
MOMENTARY ACTION COMMERCIAL GRADE LED ILLUMINATED & WATERTIGHT SEALED



Standard Terminals

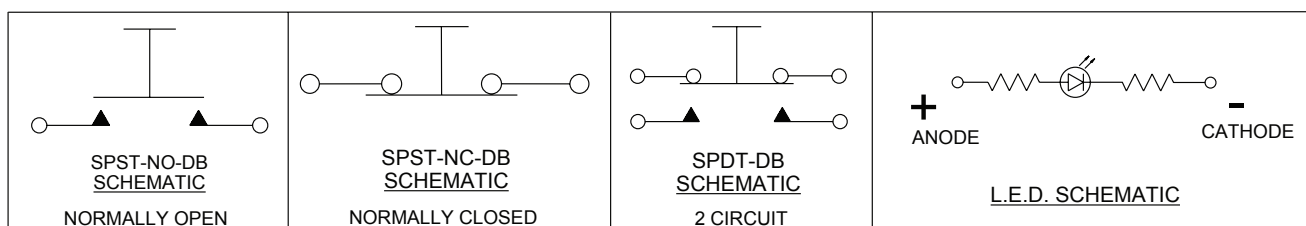


PC Pin Terminals (Full Illumination Option Shown)



RECOMMENDED PANEL OPENINGS FOR SNAP-IN STYLE CASE

PANEL THICKNESS	RECOMMENDED ϕ	DIM. ACROSS D-FLAT
.024	ϕ .505	.460
.118	ϕ .505	.460



ILLUMINATED SEALED DOME PUSHBUTTONS

LP9L
ILLUMINATED
PUSHBUTTONS

LOW LEVEL MOMENTARY ACTION COMMERCIAL GRADE LED ILLUMINATED & WATERTIGHT SEALED

The OTTO LP9L Lighted Dome series is a quality precision switch designed for use in panels, control grips, instruments and other demanding applications where attractive, rugged, lighted low level pushbutton switches are required.

The LP9L series offers a positive tactile feedback, signaling the operator when the switch is operated with the added benefit of reliable LED illumination. The LP9L series offers four button versions; flush and raised profile with either a glossy or matte finish. Featuring short behind panel depth, it comes with either a snap-in case or a threaded case for hex nut mounting.

The LP9L series is constructed to meet IP68S watertight seal. Expect 1,000,000 operations at 50mA resistive.

The LP9L series are momentary snap-action double break switches, available in standard and low operate forces. The LED is available in five colors and has the ability to accommodate 2 or 12VDC.

Features:

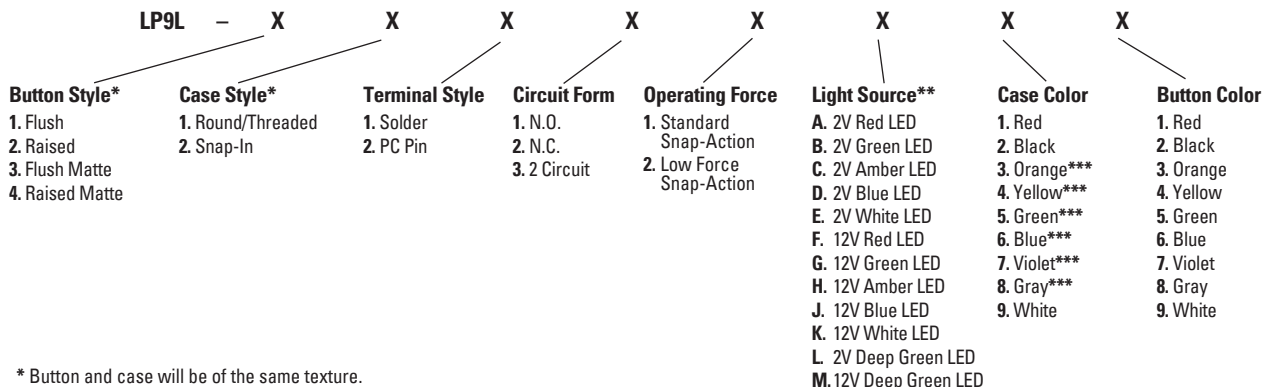
- Low level switch
- Watertight to IP68S
- LED lighted with the ability to accommodate 2 or 12VDC
- LED available in 6 colors
- Flush & raised button style
- Matte or glossy button finish
- Positive tactile feedback contact transfer
- Withstands extreme shock & vibration
- Short behind panel depth
- RoHS/WEEE/Reach compliant



Raised Dome
Also available with
Flush Dome

Standard Characteristics/Ratings:			
ELECTRICAL RATINGS:		Sea Level @ 28VDC or 115VAC, 60/400Hz	
Load			
Resistive:	50mA		
DWV:	1050Vrms through switch contacts only		
Electrical Life:		1,000,000 cycles	
LIGHTING:			
Light Source Voltage (DC)	Actual Voltage	Nominal (DC)	Voltage Max (DC)
2	2		2.6
12	13.5		14.5
Mechanical Life:		1,000,000 cycles	
Seal:		IP68S	
Operating Temp Range: -40°C to +85°C			
Operating Force:		1.7 +/- 0.5 lb. (standard force) .75 +/- .25 lb. (low force)	
Total Travel:		0.080 inches max	
Overtravel:		0.010 inches min	
MATERIALS:			
Case:		Thermoplastic	
Button:		Thermoplastic	
Terminals:		Brass with gold over silver	
Mounting Hardware:		Hex nut, lockwasher and/or panel gasket	

LP9L PART NUMBER CODE



* Button and case will be of the same texture.

For all mixed gloss/matte combination options, contact factory.

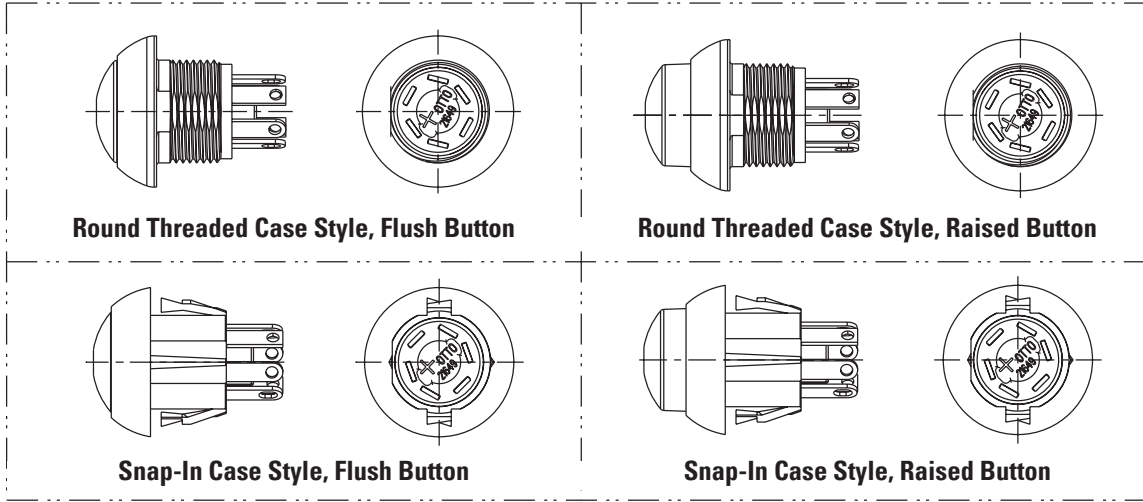
** 2V LED's are intended for use with an external resistor. See LED voltage chart in appendix for details on the approximate value of the resistor.

*** For minimum requirement, contact factory.

PUSHBUTTONS

ILLUMINATED SEALED DOME PUSHBUTTONS

MOMENTARY ACTION COMMERCIAL GRADE LED ILLUMINATED & WATERTIGHT SEALED

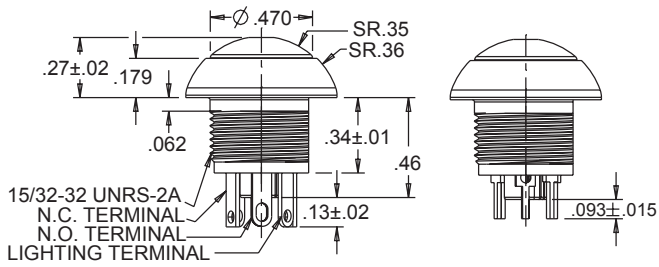


Standard Terminals

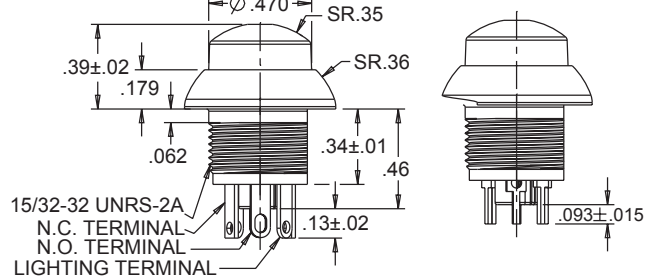
P.C. Terminals

Standard Terminals

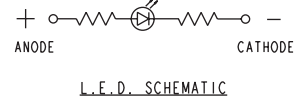
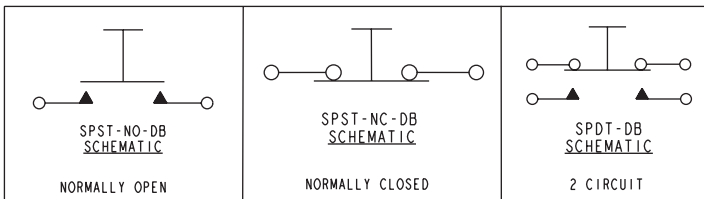
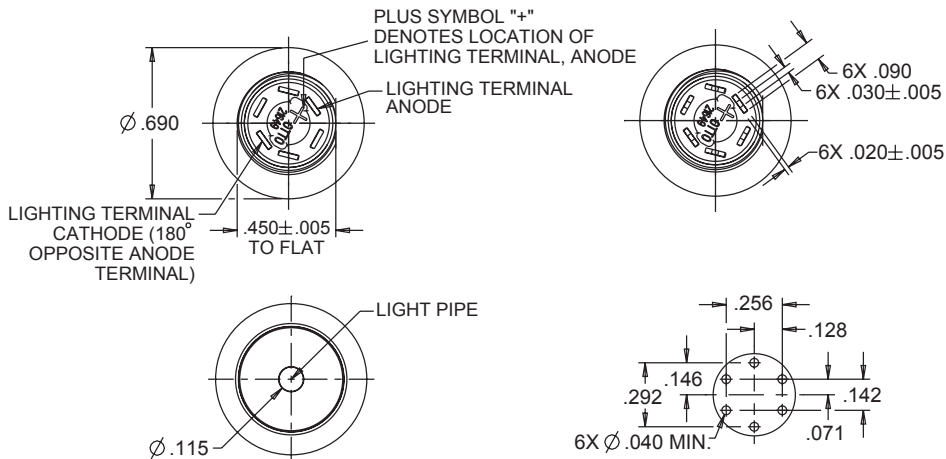
P.C. Terminals



FLUSH BUTTON ROUND THREADED



RAISED BUTTON ROUND THREADED



INDICATOR LIGHTS FOR LP3 & LP5 SERIES

The LPL Indicator Light series offers an excellent means of indicating the activity of a circuit by providing a visual on/off indication of process conditions. The LPL series is ideally suited as part of a panel mounted indicator for control panels, instrumentation and front panel fault indicators.

The LPL series is manufactured to the highest standards and built to withstand harsh environments, offering anodized aluminum alloy cases with seal options of moistureproof and dusttight to IP64 or watertight to IP68S. The LPL series offers long life LED lighting in a variety of colors and can accommodate 2 to 24VDC power.

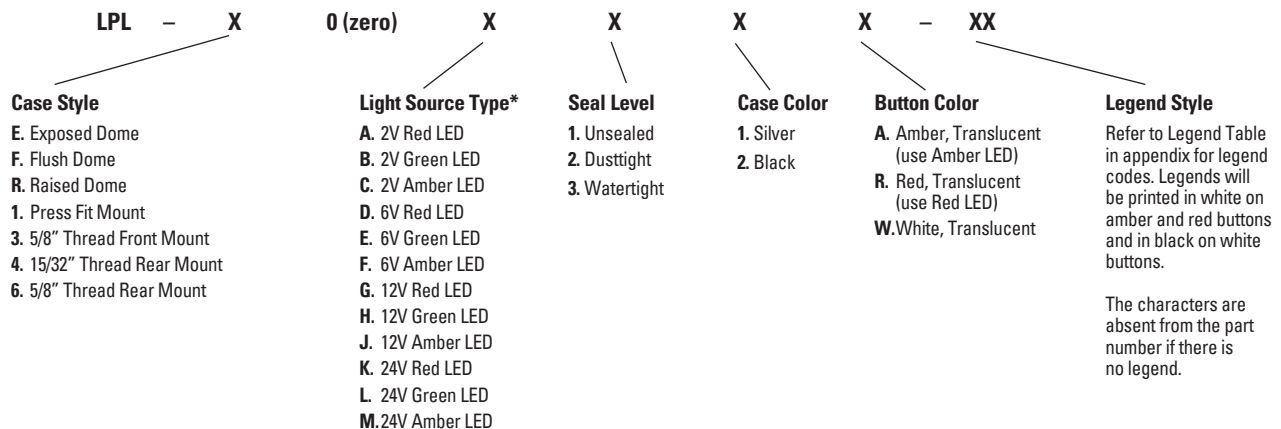


Features:

- **Seal options include:**
 1. **Watertight per MIL-PRF-8805, Design 3 and watertight 1 meter to IP68S**
 2. **Dusttight per MIL-PRF-8805, Design 2 and Dusttight/protected against splashing water per IP64**
 3. **Unsealed**
- **LED lighted with the ability to accommodate 2, 6, 12 & 24VDC power and includes reverse voltage protection**
- **Tall and dome style buttons in translucent white, red & amber permitting sublimated & pad printed legends**
- **15/32" & 5/8" thread, press fit & dome case styles available**
- **Built-in current limiting resistor & reverse polarity protection**
- **Looks identical to the LP3 & LP5 series to provide a cohesive panel look**
- **RoHS/WEEE/Reach compliant**

Standard Characteristics/Ratings:		
LIGHTING:		
Light Source Voltage (DC)	Actual Voltage Nominal (DC)	Voltage Max (DC)
2	2	2.6
6	7	8
12	13.5	14.5
24	28	28.6
Seal:	Options include: <ul style="list-style-type: none"> • Watertight per MIL-PRF-8805, Design 3 and IP68S • Dusttight per MIL-PRF-8805, Design 2 and IP64 • Unsealed 	
Operating Temp Range: -55°C to +85°C		
MATERIALS:		
Case:	Anodized aluminum alloy	
Button:	Thermoplastic	
Terminals:	Brass	
Mounting Hardware:	Hex nut, lockwasher and panel gasket when applicable	

LPL PART NUMBER CODE

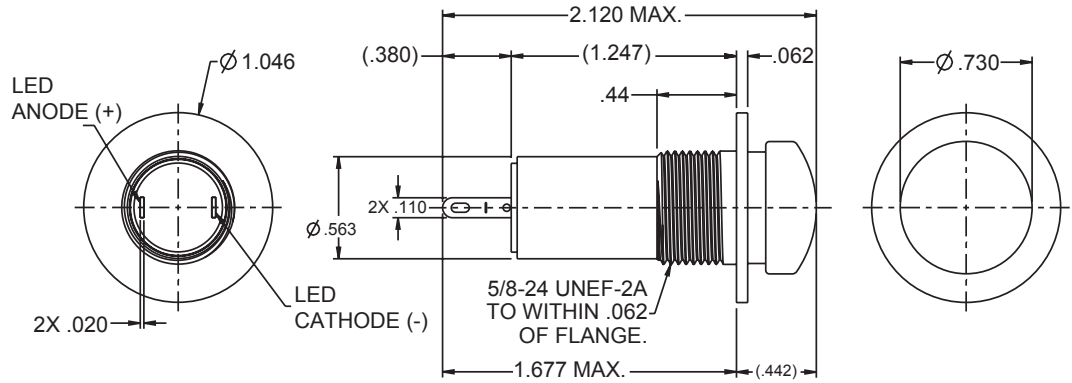
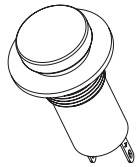


* 2V LED's are intended for use with an external resistor. See LED voltage chart in appendix for details on the approximate value of the resistor.
All green and blue LEDs are recommended for use with translucent button color white only.
For super bright LEDs, contact factory.

LED ILLUMINATED & SEALED

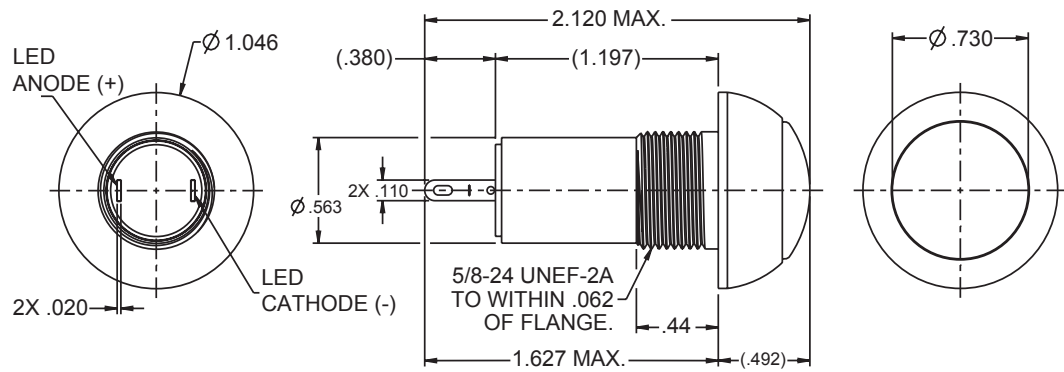
LPL-E0

Exposed Dome Button



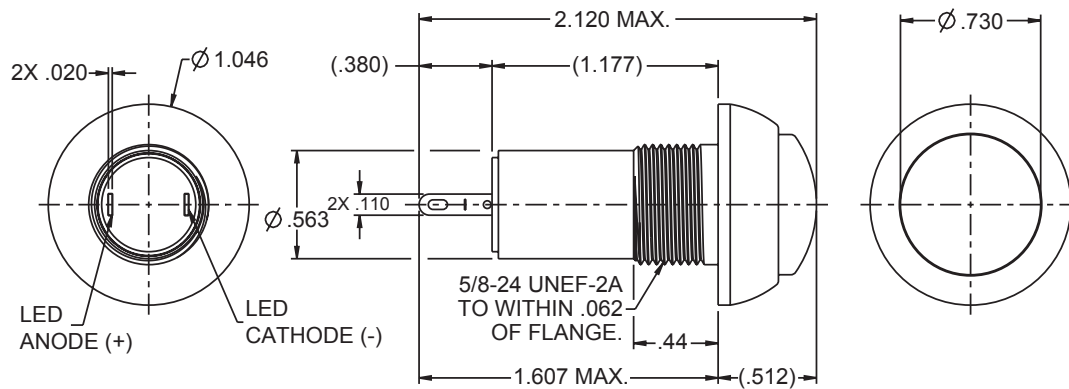
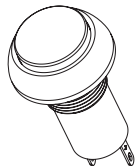
LPL-F0

Flush Dome Button



LPL-R0

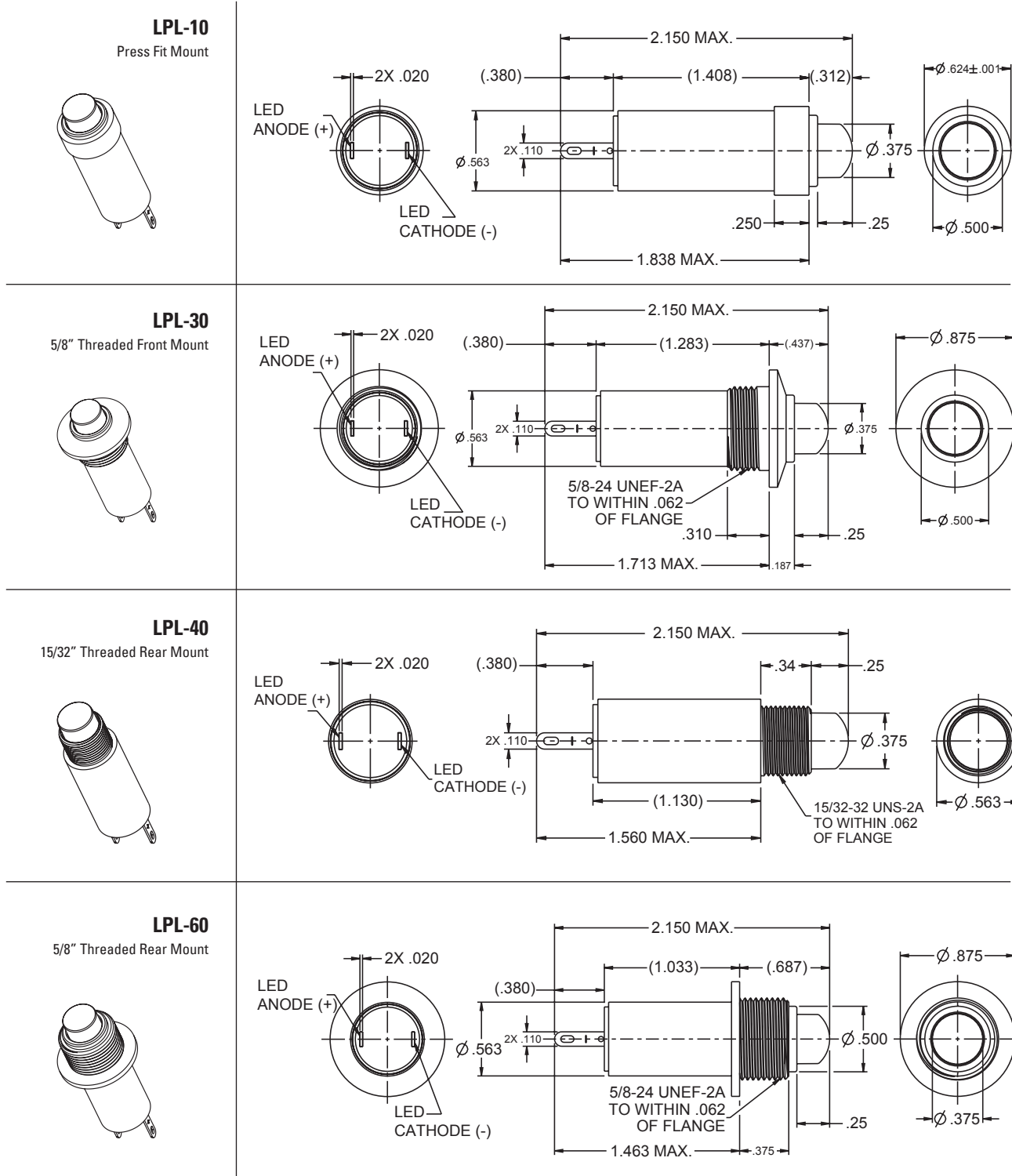
Raised Dome Button



LPL INDICATOR LIGHTS

LPL
INDICATOR
LIGHTS

LED ILLUMINATED & SEALED



PUSHBUTTONS

MOMENTARY ACTION, SEALED, SNAP-ACTION, DOUBLE BREAK

The P1 offers a mechanical life that is well beyond the 50,000 cycles required by MIL-PRF-8805. The double break switching mechanism has an incredibly fast transfer time, reducing arcing and increasing contact life. The inherent wiping action breaks welds and scrubs the contacts clean on every actuation.

The P1 switch offers vastly improved life under extreme conditions found in most military environments. Moistureproofing is accomplished in two ways. The pushbutton is sealed with a silicone boot operating on our patented "rolling sleeve," providing longer life and smoother operation over a wide temperature range. Epoxy seals protect the contacts and terminals from hostile environments and solder flux.

Watertight sealing to Commercial (IP68S) and Military (MIL-PRF-8805 Design 3) standards are available. This watertight design is also available in commercial construction as the P3 series (add "W" to your part number).

High contact force (120g/4.2 oz), low contact resistance (25mΩ max initial) and short contact bounce result from our snap-action mechanism. These characteristics guarantee exceptional current carrying capabilities over the life of the switch. With the optional low level (gold plate) configuration, the P1 is well suited to interface directly to computers and other solid state devices.

The P1 switch is a quality precision snap-action switch designed for use in panel boards, control grips, computers, instruments, pressure switches and other hand or machine operated applications where sealed pushbutton switches are required. Its precision permits the P1 to be used as a limit switch with unique size, high electrical ratings and a wide choice of mounting styles.

Features:

- Button sealed with patented "rolling sleeve" principle
- Contact area sealed at button & terminals
- Less than 25mΩ contact resistance
- Ideal for low level switching as well as up to 10 amp duty
- Positive tactile feedback
- Variety of mounting styles
- Engraved buttons & bezels available
- UL recognized & CSA certified
- Watertight to IP68S available
- RoHS/WEEE/Reach compliant


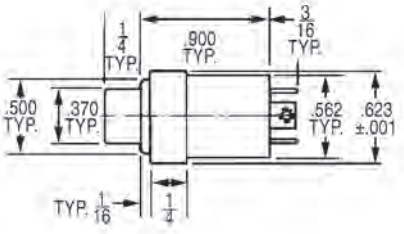

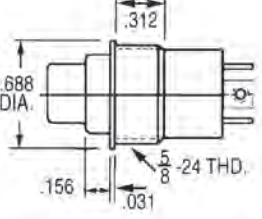

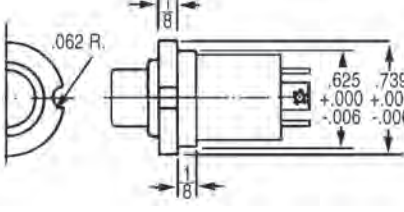

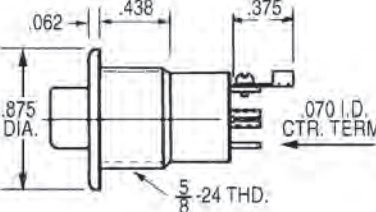

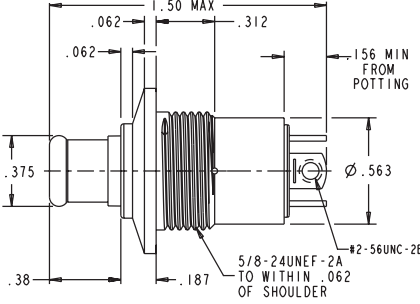

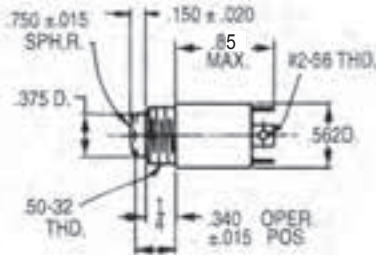

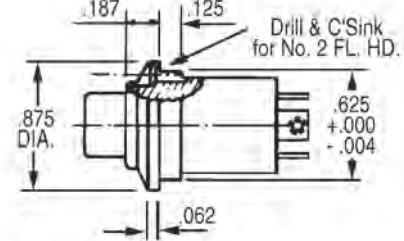


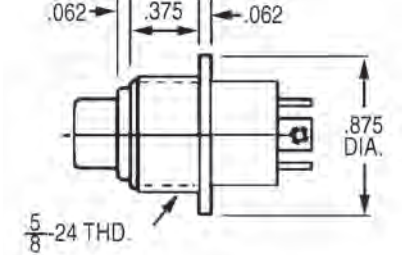
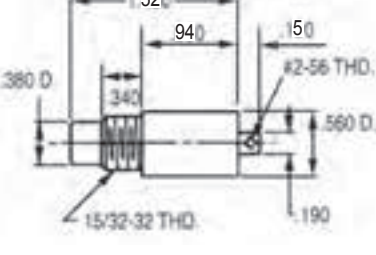


Standard Characteristics/Ratings:		
ELECTRICAL RATINGS:		
Load	Sea Level @ 28VDC or 115VAC, 60/400Hz	50,000 feet @ 28VDC or 115VAC, 60/400Hz
Resistive	10A	N/A
Inductive	5A	5A
Lamp	3A	N/A
Motor	3A	N/A
Center Contact	3A max	N/A
DWV	1050Vrms	400Vrms
Low Level	10mA @ 30mV max DC or peak AC	
Electrical Life:	25,000 cycles	
Mechanical Life:	50,000 cycles, circuit forms 3, 4, & 5 250,000 cycles, circuit forms 1, 2 & 6	
Seal:	MIL-PRF-8805 Design 2 or Watertight per IP68S or MIL-PRF-8805 Design 3	
Operating Temp Range:	-55°C to +85°C	
Operating Force:	2.5 lbs. or 4.0 lbs.	
Reset Force:	0.75 lb. or 1.0 lb.	
Total Travel:	0.085 +/- 0.015 inches	
Overtravel:	0.012 inches min	
Movement Differential:	0.015 inches min	
MATERIALS:		
Case:	Black anodized aluminum alloy	
Button:	Thermoplastic	
Terminals:	Brass with silver plate, gold plate for low level	
Terminal Hardware:	Screws, lockwasher and solder lugs for screw terminal option	
Mounting Hardware:	Hex nut and lockwasher, panel seal on watertight switches	

PUSHBUTTONS PER MIL-PRF-8805/3 (MS25089)

P1
MILITARY
PUSHBUTTONS

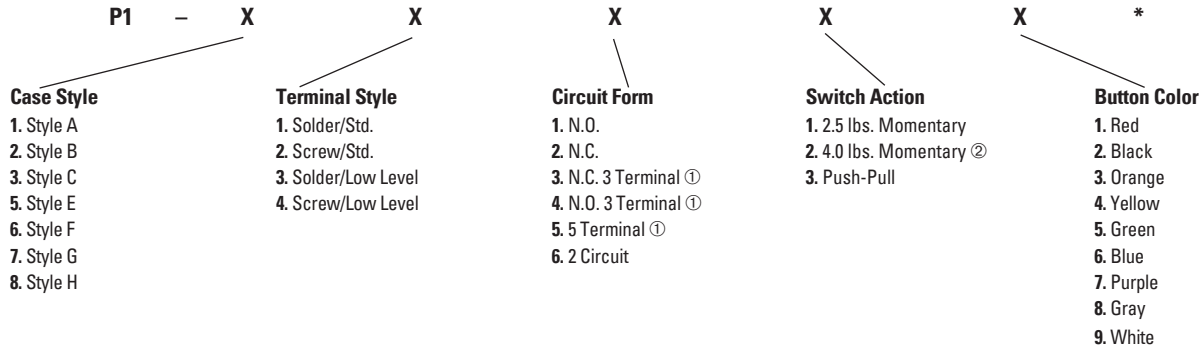
MOMENTARY ACTION, LOW LEVEL UP TO 10 AMPS

<p>P1-1 (MIL-A)</p> 		<p>P1-7 (MIL-G)</p> 	
<p>P1-2 (MIL-B)</p> 		<p>P1-8 (MIL-H)</p> 	
<p>P1-3 (MIL-C) Push-Pull Style Shown</p> 		<p>Unsealed P1-90013 Operating Force: 4.0 +/- 1.0 lb. Circuit: SPDT-DB Case: Black anodized aluminum Button: Black nylon</p>  	
<p>P1-5 (MIL-E)</p> 		<p>Watertight P1-90024 Dusttight P1-90014 Operating Force: 4.0 +/- 1.0 lb. Circuit: SPST-N.O. Case: Black anodized aluminum Button: Red nylon</p> 	
<p>P1-6 (MIL-F)</p> 			

PUSHBUTTONS

MOMENTARY ACTION, LOW LEVEL UP TO 10 AMPS

P1 PART NUMBER CODE



* Add "W" for watertight to IP68S. (For watertight seal to MIL-PRF-8805 Design 3, please contact factory.)

① Circuit styles with 3 and 5 terminals have 50,000 cycle mechanical life per MIL-PRF-8805.

② Military standard is 4.0 lbs.

ORDERING INFORMATION:

Select the OTTO P1 series switch to match your application requirements. Combinations of features are almost unlimited. When ordering, specify the Military (MS) Number and/or OTTO Part Number.

Example: P1-32629 is MS25089-3CW, "C" style case, 2 circuit contact configuration, 4.0 lbs. operating force, white button. For low level model, specify P1-34629, MS25089-3CWL. A partial cross reference list of Military (MS) Numbers to OTTO Part Numbers may be found in the back section of this catalog.

P1 NOTEWORTHY DESIGNS

EXAMPLES OF CUSTOMIZED P1 SERIES SEALED PUSHBUTTONS

Special Cap On Press Fit Case

Total Travel: 0.085" +/- 0.015"
Operating Force: 4.0 +/- 1.0 lb.
Reset Force: 1.0 lb. min
Circuit: SPDT 2 circuit
Mechanical Life: 250,000 cycles
Button: Black oxide #303 Stainless Steel
Housing: Black anodized aluminum
P1-10047



Long Pushbutton

Dusttight per MIL-PRF-8805, this extra long button is installed in a Type P1 "C" case style.
Total Travel: 0.085" +/- 0.015"
Operating Force: 4.0 lbs.
Circuit: SPNO-DB
Rating: 10 amps Resistive
Mechanical Life: 250,000 cycles
Electrical Life: 25,000 cycles
P1-30074



Special Push-Pull Switch

Total Travel: 0.085" +/- 0.015"
Operating Force: 0.5 lb. to 2.0 lbs.
Circuit: SPNO-DB
Mechanical Life: 250,000 cycles
Button: Black on white nylon
Housing: Black anodized aluminum
Case: Style "C"
P1-30052



Large Diameter Button

Button diameter is 1.187" and is red anodized aluminum mounted on a Type P1 style "C" body. Button is free to rotate 360°.
Total Travel: 0.085" +/- 0.015"
Operating Force: 2.5, +0.5, -1.0 lb.
Circuit: SPDT 2 circuit
Rating: 10 amps Resistive
Mechanical Life: 250,000 cycles
Electrical Life: 25,000 cycles
P1-30075



Special Knurled Shroud

Total Travel: 0.085" +/- 0.015"
Operating Force: 4.0 +/- 1.0 lb.
Rest Force: 1.0 lb. min
Circuit: SPDT 2 circuit
Mechanical Life: 250,000 cycles
Button: Red nylon
Housing: Black anodized aluminum
P1-90108



Vandal Resistant

Stainless steel housing and button are watertight sealed. Ideal for unattended machines operated by the public.
Operating Force: 2.5, +1.0, -0.5 lb.
Circuit: SPNO-DB
Mechanical Life: 250,000 cycles
Bezel: 1.5" dia.
Button: 0.812" dia.
P1-90135-2



For smaller 0.969" dia., DPDT-DB design, see P4-10155-2.

- Large buttons, up to 0.765" diameter
- Symbols & 9 colors of buttons
- Watertight to IP68S
- 10 amp resistive rating



NOTE: Refer to Standard Legends Chart in Appendix for available symbols.



P1-10142-X

3-POSITION MOMENTARY ACTION, ONE OR TWO STEP

OTTO'S unique 3-position P2 pushbutton offers two levels (steps) of momentary switch action plus "rest" (or "off") for applications requiring three modes of operation.

Each detent operates an independent set of SPDT contacts rated to 5A @ 28VDC or 125 VAC wrapped up in a watertight and dusttight package.

The OTTO P2 series works like this: Upon actuation, level one is reached with a positive tactile feel transmitted back to the operator. The operator has the option of either releasing the pushbutton, which will return to the normal (off) position, or continuing to level two. Upon release, the pushbutton returns to the normal position.

Designed for applications in the commercial market such as the control of two-speed motors, the P2 also works well in numerous military applications.



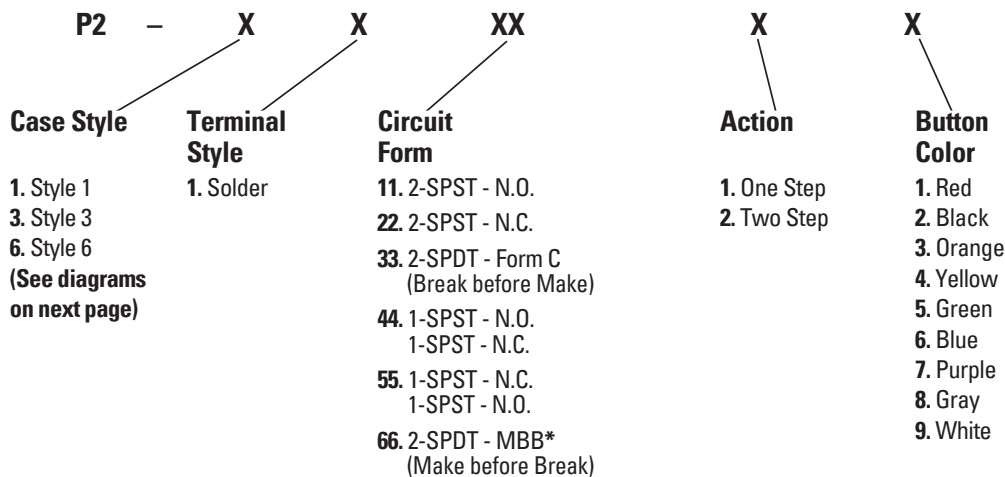
P2-1

Standard Characteristics/Ratings:	
ELECTRICAL RATINGS:	
Load	Sea Level @ 28VDC or 125VAC, 60/400Hz
Resistive	5A
Inductive	3A
Lamp	3A
DWV	1000Vrms Initial
Low Level	10mA @ 5VDC Resistive
Electrical Life:	25,000 cycles
Mechanical Life:	25,000 cycles
Seal:	Dusttight per MIL-PRF-8805 Design 2 and Watertight per MIL-PRF-8805 Design 3
Operating Temp Range:	-55°C to +85°C
Operating Forces:	Pole One: 2.9 lbs. ± 0.6 lbs. Pole Two: 5.0 lbs. ± 1.5 lbs.
Release Forces:	Pole One: .75 lbs. min. Pole Two: 1.0 lbs. min.
Total Travel:	One Step Style .125 max, Two Step Style .250 max
Overtravel:	0.015 inches min.
Pretravel:	0.020 inches min.
MATERIALS:	
Case:	Black anodized aluminum alloy
Button:	Thermoplastic
Mounting Hardware:	Hex nut and lockwasher for case styles 3 and 6

Features:

- Unique three-mode design
- Sequential DPDT contact action
- One Step and Two Step versions
- 6 circuit forms
- Watertight and dusttight
- 25,000 mechanical cycles

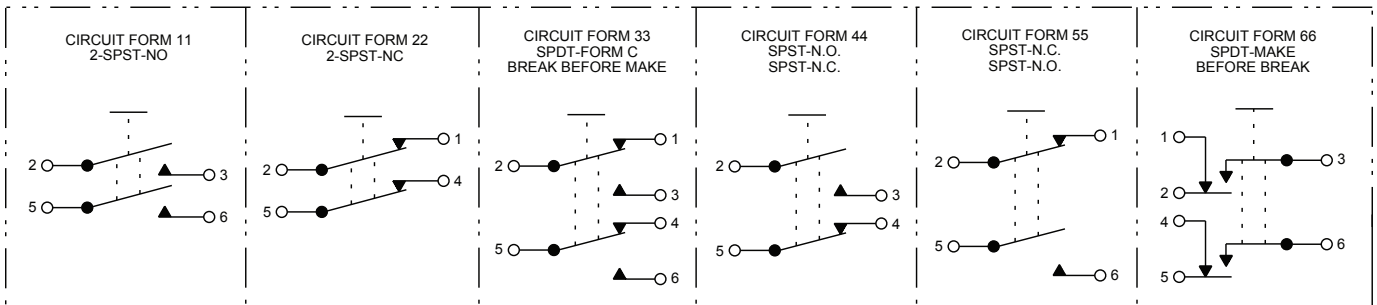
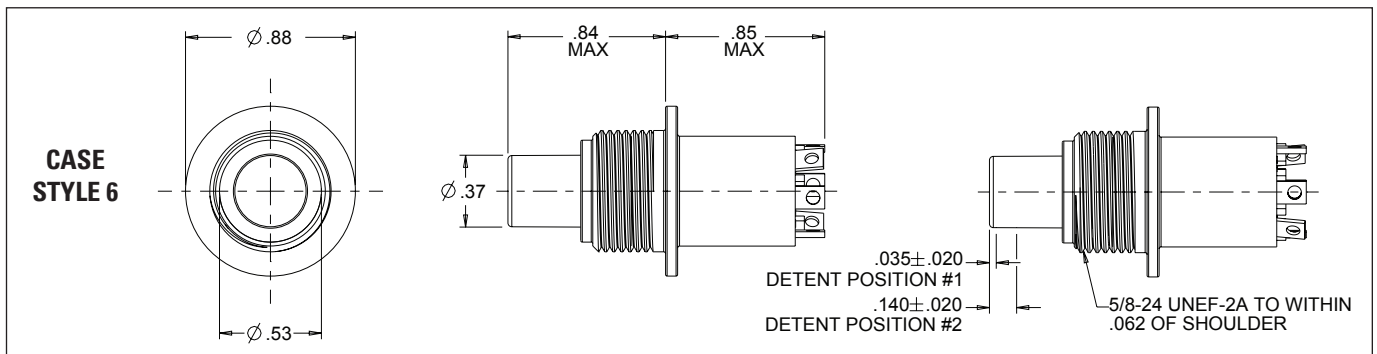
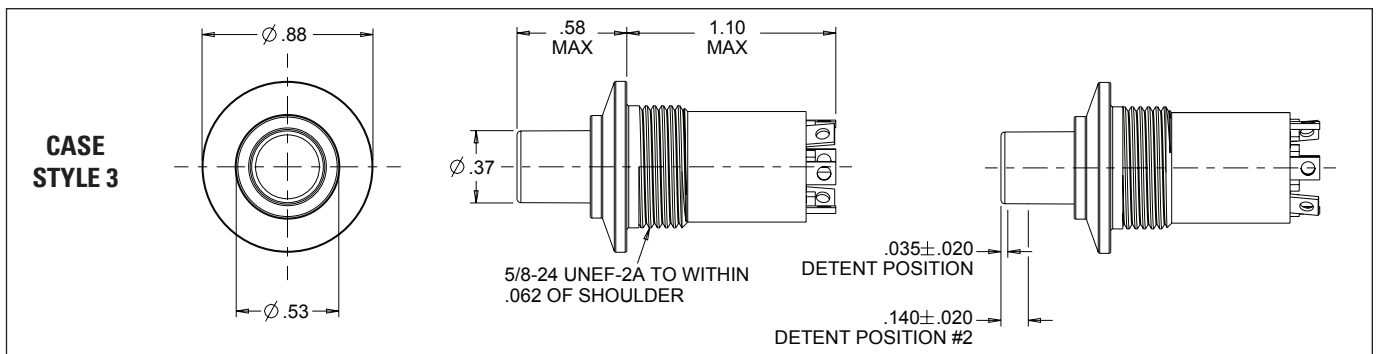
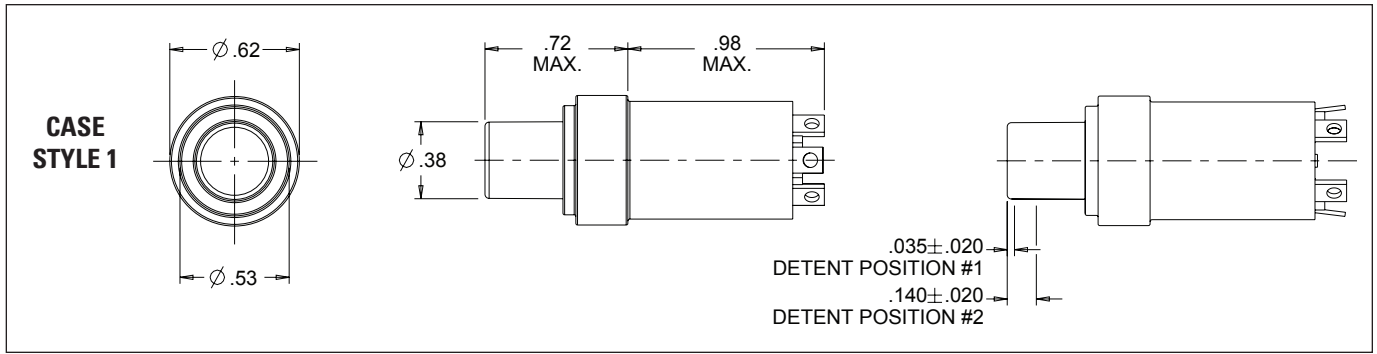
P2 PART NUMBER CODE



* Available with Two Step version only.

COMMERCIAL GRADE PUSHBUTTONS

3-POSITION MOMENTARY ACTION, ONE OR TWO STEP



For two step switches:

Circuit 1-2-3 operates and resets between the first and second detent.

Circuit 4-5-6 operates and resets between the second detent and full travel.

MOMENTARY ACTION, SEALED, SNAP-ACTION, DOUBLE BREAK

Makes and breaks every time! Less than 25mΩ contact resistance because the OTTO design features inherent rocking action that breaks welds and wipes contacts clean.

The P3 is the commercial version of the P1 Pushbutton switch, offering vastly improved life under extreme conditions found in some industrial environments. The pushbutton is sealed by a silicone boot operating on our patented "rolling sleeve," providing longer life and smoother operation over a wide temperature range. Epoxy protects the contacts and terminals from hostile environments and solder flux.

High contact force (120g/4.2 oz), low contact resistance (25mΩ max) and short contact bounce are the result of our snap-action mechanism. These characteristics provide exceptional current carrying capabilities over the life of the switch. With the optional low level (gold plate) configuration, the P3 is well suited to interface directly to computers and other solid state devices.

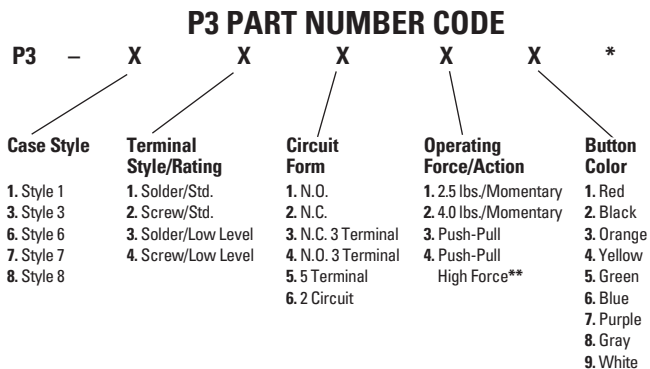
Watertight sealing is available by simply adding "W" to your part number. Because the P3 is a double break switch, wide connection possibilities, longer life and greater capacity are offered. The P3 design provides a unique terminal connection to the moving element for added flexibility. Special versions can be provided with five terminals to control up to four circuits.

Features:

- Button sealed with patented "rolling sleeve" principle
- Contact area sealed at button & terminals
- Less than 25mΩ contact resistance
- Positive tactile feedback
- Engraved buttons & bezels available
- UL recognized & CSA certified
- 1 million mechanical cycle life
- Watertight to IP68S available in all versions
- Watertight to IP69K available in non push-pull versions
- RoHS/WEEE/Reach compliant



Standard Characteristics/Ratings:			
ELECTRICAL RATINGS:			
Load	Sea Level @ 28VDC or 115VAC, 60/400Hz	50,000 feet @ 28VDC or 115VAC, 60/400Hz	Cycles
Resistive	10A	N/A	100,000
Inductive	5A	5A	100,000
Lamp	3A	N/A	100,000
Center Contact	3A max	N/A	100,000
DWV	1050Vrms	400Vrms	
Low Level	10mA @ 30mV max DC or peak AC		
Electrical Life:	25,000 or 100,000 cycles (depending on configuration) High Force Push Pull 5,000 cycles		
Mechanical Life:	1 million cycles, circuit forms 1, 2 & 6 100,000 cycles, circuit forms 3, 4 & 5 High Force Push Pull 5,000 cycles		
Seal:	IP64 or IP68S and IP69K IP64 or IP68S on push-pull versions		
Shock:	MIL-STD-202, method 207		
Operating Temp Range:	-55°C to +85°C		
Operating Force:	2.5 lbs. or 4.0 lbs. Push-Pull: .5 to 2.0 lbs. Push-Pull High Force: 3.0 lbs. min.		
Reset Force:	0.75 lb. min or 1.0 lb.		
Total Travel:	0.085 +/- 0.015 inches		
Overtravel:	0.012 inches min		
Movement Differential:	0.015 inches min		
MATERIALS:			
Case:	Anodized aluminum alloy		
Button:	Thermoplastic		
Terminals:	Brass with silver, gold for low level		
Terminal Hardware:	Screws, lockwasher and terminal lug for screw terminal option		
Mounting Hardware:	Hex nut, lockwasher and panel seal when applicable		

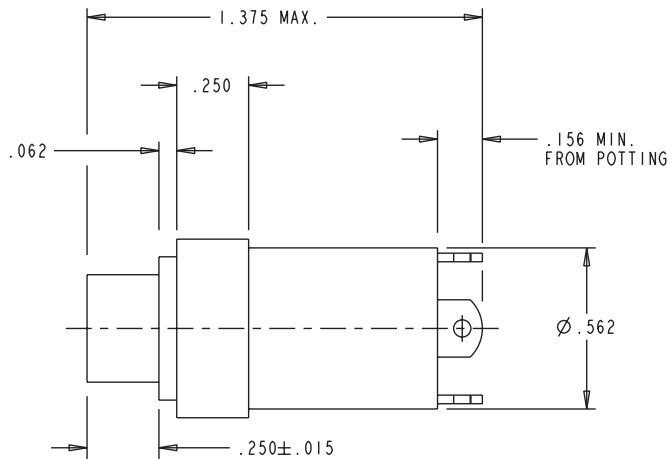


* Add "W" suffix for watertight to IP68S and IP69K for Operating Force/Action selections 1 and 2.
Add "W" suffix for watertight to IP68S for Operating Force/Action selections 3 and 4.
**Available in Case Style 3 only.

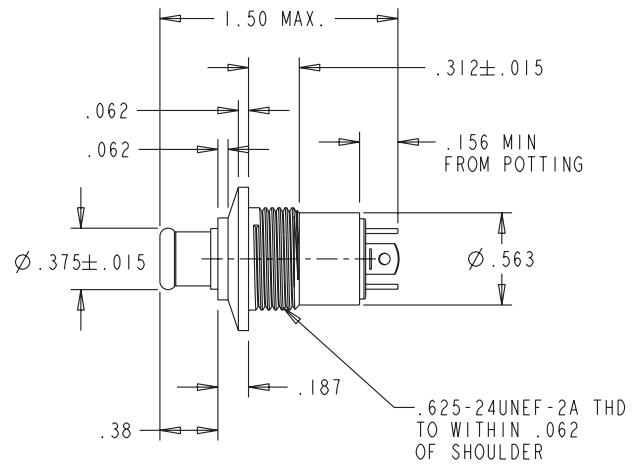
COMMERCIAL GRADE PUSHBUTTONS

P3
COMMERCIAL
PUSHBUTTONS

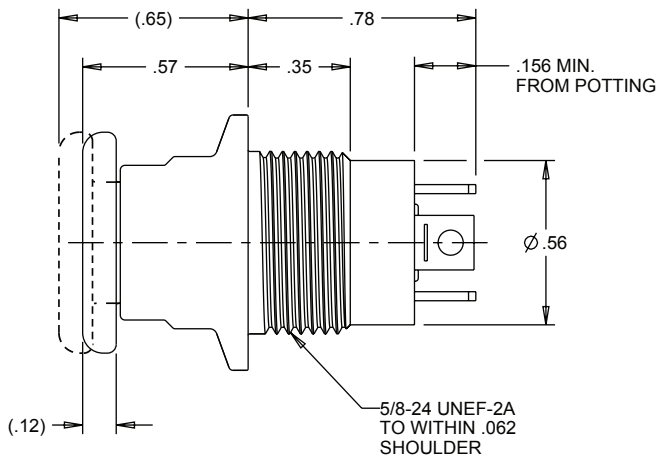
IDEAL FOR USE IN HEAVY MACHINERY & COMMERCIAL APPLICATIONS



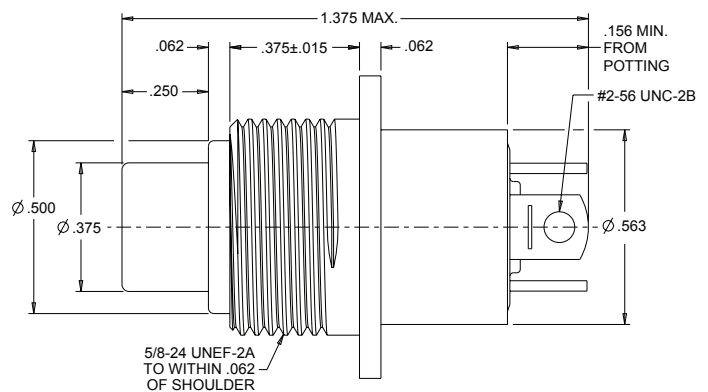
Style P3-11_2



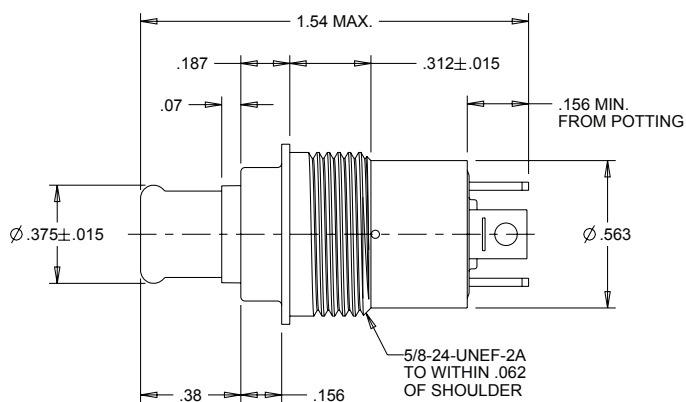
Style P3-33_3 Push-Pull



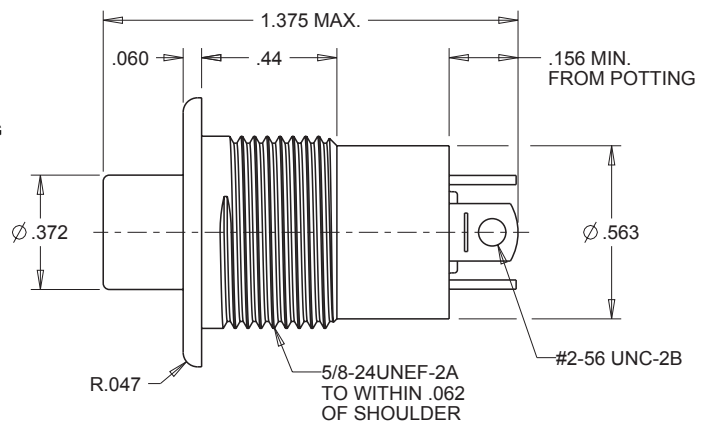
Style P3-33_4 Push-Pull High Force



Style P3-61_1



Style P3-71_3



Style P3-83_1

PUSHBUTTONS

EXAMPLES OF CUSTOMIZED P3 SERIES SEALED PUSHBUTTONS

Special Shaped Bezel

Total Travel: 0.085" +/- 0.015"
Operating Force: 2.5, +0.5, -1.0 lb.
Reset Force: 0.75 lb. min
Circuit: SPNO-DB (Other circuits available)
Mechanical Life: 1,000,000 cycles
Button: Red nylon
Housing: Clear anodized aluminum
P3-30017



Special Journaled Button

Watertight to IP68S, black anodized case and thermoplastic button available in nine colors.
Circuit: SPNO-DB
Mechanical Life: 1,000,000 cycles
Electrical Life: 100,000 cycles
P3-90308-X
 (X denotes button color)



Special Large Round Button, Quick Connect Tab Terminals

Total Travel: 0.085" +/- 0.015"
Operating Force: 4.0 +/- 1.0 lb.
Reset Force: 1.0 lb. min
Circuit: SPNO-DB (Other circuits available)
Mechanical Life: 1,000,000 cycles
Button: Black nylon
Housing: Clear anodized aluminum
P3-30031



Large Diameter Button

Nine different button colors, black anodized protective shroud, watertight to IP68S.
Circuit: SPNO-DB
Mechanical Life: 1,000,000 cycles
Electrical Life: 100,000 cycles at full load
P3-90207-X
 (X denotes button color)



Special Right Angle, Quick Connect Tabs, P3-6 Style

Total Travel: 0.085" +/- 0.015"
Operating Force: 2.5, +0.5, -1.0 lb.
Reset Force: 0.75 lb. min
Circuit: SPNO-DB
Mechanical Life: 1,000,000 cycles
Button: Red nylon
Housing: Clear anodized aluminum
P3-60024



Special "H" Case with Round Shaped Button

Operating Force: 4.0 +/- 1.0 lb.
Reset Force: 1.0 lb. min
Circuit: SPNC-DB (Other circuits available)
Mechanical Life: 1,000,000 cycles
Button: Red nylon
Housing: Black anodized aluminum
P3-80016



Special Snap-In, Panel-Sealed, Rectangular Shaped Button

Total Travel: 0.125" max
Operating Force: 4.0 +/- 1.0 lb.
Reset Force: 1.0 lb. min
Circuit: SPNO-DB (Other circuits available)
Mechanical Life: 1,000,000 cycles
Button: Black polyester
Housing: Clear anodized celenex
P3-90037



Large Diameter Button

Nylon button is 1.187". Snaps on to special style body with leads. Dusttight to IP64.
Operating Force: 2.5, +0.5, -1.0 lb.
Mechanical Life: 1,000,000 cycles
Rating: 10 amps Resistive
Circuit: SPDT 2 circuit
P3-30101-X



Protective Shroud

This pushbutton is designed to avoid accidental actuation of the switch. The shroud requires the operator to purposely operate the switch. The actuation occurs below the height of the protective shroud, thus protecting against unintentional actuation.

Same ratings and sealing characteristics as the standard P3 series.

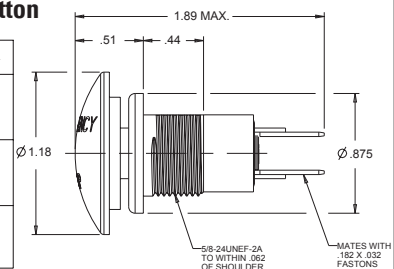
SPNC is shown.

P3-90009



Emergency Stop Pushbutton

PART NUMBER	BUTTON COLOR
P330115-1	RED
P330115-2	BLACK
P330115-3	ORANGE
P330115-4	YELLOW
P330115-5	GREEN
P330115-6	BLUE
P330115-7	VIOLET
P330115-8	GRAY
P330115-9	WHITE



SEALED DOME PUSHBUTTON SWITCHES

P3-D
DOME
PUSHBUTTONS

MOMENTARY ACTION, ATTRACTIVE & RUGGED FOR WET & DUSTY ENVIRONMENTS

Rugged pushbutton switches with new contoured dome styling. There are two design versions: flush dome and raised dome button profile. They also offer excellent mechanical and electrical performance while operating under severe conditions found in demanding applications.

The P3-D Dome features dusttight and moistureproof or watertight sealed construction to IP68S and IP69K (add "W" to your part number for watertight seal). 100,000 operations at rated load of 10 amps resistive or 5 amps inductive; up to a million mechanical operations in low level switching applications.

The P3-D Dome is available in standard and low operating force double break snap-action models. All are momentary action. Special contact variations are available. High contact pressure and unique contact design provide low contact resistance for low level switching capability as well as full rated service.

The P3-D Dome is a quality precision snap-action switch designed for use in panels, control sticks, computers, instruments, heavy equipment and other demanding applications where attractive, rugged pushbutton switches are required.

Features:

- Attractive dome style button
- 2 contoured button styles
- Double break momentary action
- Withstands extreme shock & vibration
- Positive tactile feedback
- Solder & screw terminal styles
- Moistureproof & dusttight to IP64
- Watertight to IP68S and IP69K available
- RoHS/WEEE/Reach compliant



Flush Dome Button



Standard Characteristics/Ratings:

ELECTRICAL RATINGS:

Load	Sea Level @ 28VDC or 115VAC, 60/400Hz	Cycles
Resistive	10A	100,000
Resistive	15A	25,000
Inductive	5A	100,000
Lamp	3A	100,000
Center Contact	3A max	100,000
DWV	1050Vrms	
Low Level	10mA @ 30mV	100,000

Electrical Life: See Rating Chart

Mechanical Life: 1,000,000 cycles, circuit forms 1, 2 & 6
100,000 cycles, circuit forms 3, 4 & 5

Seal: IP64 or IP68S and IP69K

Operating Temp Range: -55°C to +85°C

Operating Force: 2.0 lbs. to 4.0 lbs., +0.5/-1.0 lb.

Total Travel: 0.075 +/- 0.015 inches

Overtravel: 0.012 inches min

Movement Differential: 0.015 inches min

MATERIALS:

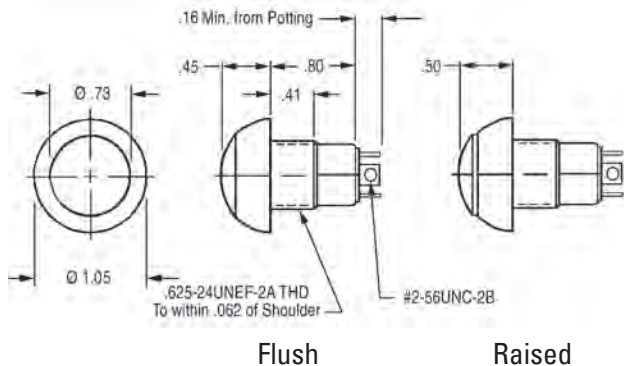
Case: Anodized aluminum alloy

Button: Thermoplastic

Terminals: Brass with silver plate, gold plate for low level

Terminal Hardware: Screws, lockwasher and terminal lugs

Mounting Hardware: Hex nut, lockwasher and panel seal when applicable



Flush

Raised

P3-D PART NUMBER CODE

P3-D	X	X	X	X	X	X	*
Button Style	Terminal Style/Rating	Circuit Form	Operating Force/Action	Bezel Color	Button Color		
1. Flush Dome	1. Solder/Std.	1. N.O.	1. 2.5 lbs./Momentary	1. Clear	1. Red		
2. Raised Dome	2. Screw/Std.	2. N.C.	2. 4.0 lbs./Momentary	2. Black	2. Black		
	3. Solder/Low Level	3. N.C. 3 Terminal			3. Orange		
	4. Screw/Low Level	4. N.O. 3 Terminal			4. Yellow		
		5. 5 Terminal			5. Green		
		6. 2 Circuit			6. Blue		
					7. Purple		
					8. Gray		
					9. White		

* Add "W" suffix for watertight to IP68S and IP69K.

PUSHBUTTONS

BUSHING MOUNT PUSHBUTTONS FOR OTTO B2 & B3 BASICS

IP68S Sealed Construction



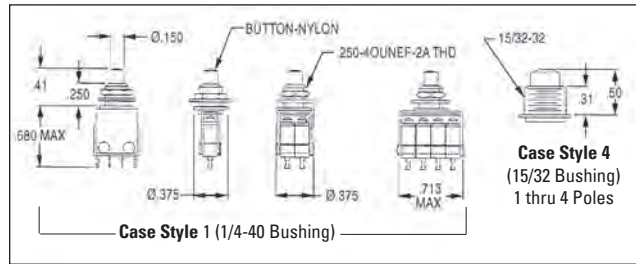
P4 series auxiliary actuators are designed to work with OTTO B2 (single break) and B3 (double break) basic switches. Auxiliary type actuators offer a wide variety of styles and types. Special basic switch characteristics can be specified to match your application needs. All case styles, except 1 and 4, feature OTTO's patented "rolling sleeve" principle and are sealed to IP68S.

Number of Poles	Operating Force (oz)	Release Force (oz)
1	8	2
2	16	2
3	24	3
4	32	4

Unsealed Construction



These unsealed pushbutton actuators feature a choice of 1/4" and 15/32" mounting bushings with nylon buttons available in nine colors. Choose single, two, three and four pole models. To order standard models, use the Part Number Code shown below.

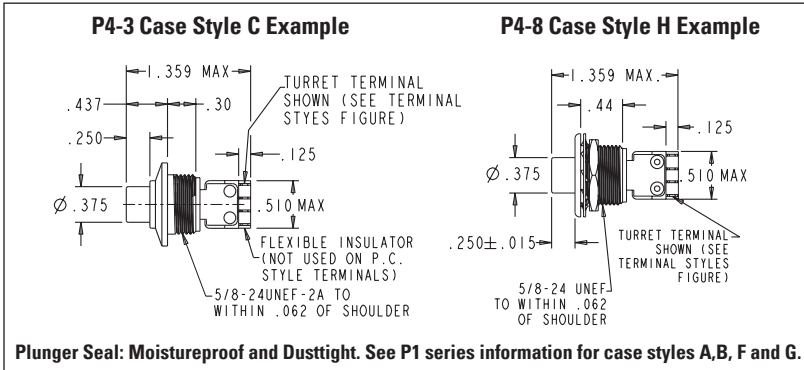


Sealed Construction

Moistureproof at the front panel. Choice of one and two pole configurations. Select from a variety of six bezel/bushing mount case styles in clear (silver) or black anodized aluminum. Styles C, H and F are illustrated here. For styles A, B and G, see P1 series information. Buttons are available in nine colors. Basic switches are per MIL-PRF-8805/101.

Operating Force: 4.0 lbs. max

Use Part Number Code below to specify your requirements.



RFI Shielding Option with Moistureproof Panel Seal

RFI shielding can be included along with the moistureproof sealing feature in all case styles (except styles 1 and 4) and in single or double pole momentary action. Case styles are illustrated at left. The plunger seal is dusttight and moistureproof. Basic switches per MIL-PRF-8805/101.

Operating Force: 5.0 lbs. max

To order, see Part Number Code below.

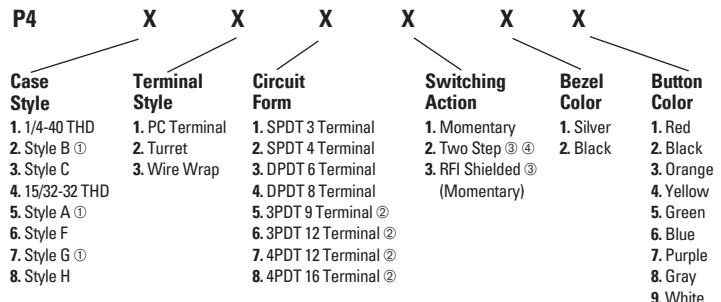
ORDERING INFORMATION:

Standard Auxiliary Actuator Assemblies for Basics

Select the OTTO P4 pushbutton switch assembly to match your specific application needs. Standard and special features are shown at right. Specify your choice by building the OTTO Part Number Code.

Example: P4-614121 features the style "F" case, DPDT (4 terminals each), PC terminals, single step momentary action, black bezel with red button.

P4 PART NUMBER CODE



① See P1 Series information for front panel appearance details.
 ② Available in case styles 1 and 4 only.
 ③ Not available in case styles 1 and 4.
 ④ Available in circuit form 3 and 4 only.

AUXILIARY ACTUATORS FOR BASIC SWITCHES

BUSHING MOUNT PUSHBUTTONS FOR B2 & B3 BASICS



Rugged Sealed Panel

These rugged, sealed aluminum pushbutton actuators are anodized in a variety of colors. Available in one and two pole models. An O-ring provides the panel seal to keep out water and dust from the basic switches behind the panel.

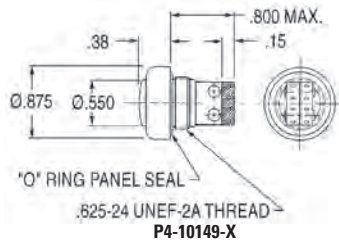
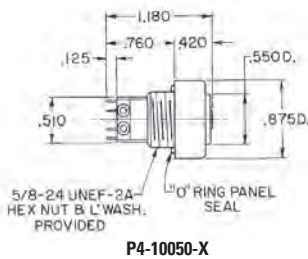
Operating Force:

1 Pole: 2.5 lbs. max
2 Pole: 4.0 lbs.

To order, please use Table A.

Table A

Part No. SPDT-DB	Part No. DPDT-DB	Button Color
P4-10050-1	P4-10149-1	Red
P4-10050-2	P4-10149-2	Black
N/A	P4-10149-3	Orange
N/A	P4-10149-4	Yellow
N/A	P4-10149-6	Blue
N/A	P4-10149-7	Purple
N/A	P4-10149-9	Clear



Standard Sealed TwoStep™

Ideal for applications requiring three modes of operation: "OFF," Level 1 and Level 2. Plunger seal is dusttight and moistureproof. Available in P1 series bezel styles C, F and H. Two pole only.

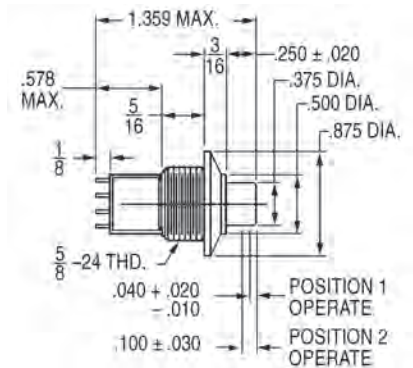
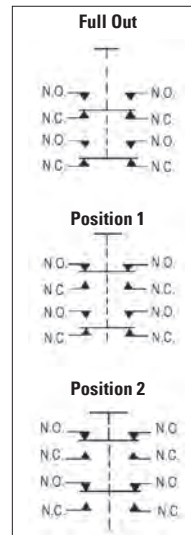
Standard Operating Force:

Position 1: 2.25 lbs. max
Position 2: 3.25 lbs. max

Total Travel: 0.140 inches max



Sequence of Action



PUSHBUTTONS

Miniature, Offset Pushbutton

This miniature switch features an offset pushbutton to clear back of panel interference, stainless steel bushing and natural acetal button.

Operating Force: 8 oz max

Circuit: SPDT

Rating: 1 amp Resistive

Mechanical Life: 50,000 cycles

Electrical Life: 25,000 cycles

P4-900027



Special TwoStep™ Pushbutton, Dusttight Sealed

Switch "A" operates at Level 1; stays "on" when Level 2 operates Switch "B".

Circuit: SPDT 2 circuit

Rating: 5 amps Resistive
3 amps Inductive @ 28VDC

Operating Force: Level 1: 1.75 +/- 0.5 lb.
Level 2: 2.75 +/- 0.5 lb.

Button: Red nylon

P4-20002



Style F, Panel Sealed, 2 Pole

Moistureproof and dusttight sealed switch features the "F" style bezel, as illustrated on previous page. Button is molded of gray nylon.

Total Travel: 0.100" max

Operating Force: 4.0 lbs. +/- 1.0 lb.

Circuit: DPNO-DB

Rating: 10 amps Resistive
5 amps Inductive

Mechanical Life: 50,000 cycles

Electrical Life: 25,000 cycles

P4-600009



Splash and Dusttight Sealed, 2 Pole, 4 Circuit

Operating Force: 4.0 lbs. +/- 1.0 lb.

Circuit: DPDT 4 circuit

Rating: 5 amps Resistive
3 amps Inductive

Contacts: Gold plate per MIL-PRF-8805/101-010

Button: Black nylon

P4-10044



BUSHING MOUNT PUSHBUTTONS FOR B2 & B3 BASICS

Square Button, Single Pole, 2 Circuit

This subminiature pushbutton switch features a button molded of Lexan.

Operating Force: 24 +/- 4 oz

Rating: 5 amps Resistive
3 amps Inductive

Contacts: Gold plate

White and other colors available.

P4-300015



Vandal Resistant

Brass plated dull nickel housing and button is watertight sealed. Ideal for unattended machines operated by the public.

Total Travel: 0.10" max

Operating Force: 4.0 lbs. max

Circuit: DPNO-DB

Mechanical Life: 250,000 cycles

Bezel: 0.969" dia.

Button: 0.600" dia.

P4-10155-2

For larger 1.5" dia., SPNO-DB design, see P1-90135-2.



Watertight Panel Sealed Double Pole

Dress ring has O-ring provision for watertight panel seal. Button and case are black. Switch uses MIL-PRF-8805/101 basics. Seal is watertight. Operating force is 4.0 lbs.

P4-900003



1/4-40 Bushing, SPDT 2 Circuit

This subminiature pushbutton switch features an anti-turn device to facilitate installation.

Operating Force: 10 oz max

Rating: 8 amps Resistive @ 28VDC

Bushing: Stainless steel

Bracket: Stainless steel

Button: Nylon

P4-10029



6 Pole, Right Angle, PC Mount

Solders into printed circuit board. Basic switches per MIL-PRF-8805/4.

Operating Force: 3.5 lbs. max

Rating: 1 amp Resistive

Contacts: Gold

Button Color: Choice of nine colors

P4-10073-X

(X denotes button color)



2 Pole, Right Angle, Bushing Mount— Single and TwoStep™ Versions

Right angle bushing mount assembly of basic switches. Either 2-mode momentary or 3-mode. TwoStep™ (OFF-Level 1-Level 2) action.

Operating Force: 24 +/- 4 oz

Rating: 8 amps Resistive

Plunger: Red nylon (Other colors available)

Bushing: Stainless steel

Single Level: P4-10022 **TwoStep™:** P4-20003



8 Pole, Positive Detent, Sealed

Circuit: 8 PDT

Rating: 1 amp Resistive
0.5 amps Inductive

Bracket: Stainless steel

Bushing: Aluminum black anodized

Button: Nylon, choice of nine colors

P4-10082-X

(X denotes button color)



Shroud Protected Button, 2 Pole

Button is protected against accidental actuation by a black anodized shroud.

Operating Force: 4.0 lbs. +/- 1.0 lb.

Rating: 5 amps Resistive
2 amps Inductive @ 28VDC

Button: Red nylon

P4-900013



Miniature with Shrouded Pushbutton, Unsealed

Total Travel: 0.070" max

Operating Force: 2.5 lbs. max

Circuit: DPDT-DB

Rating: 8 amps Resistive @ 28VDC

Button: Black nylon

Housing: Clear anodized aluminum

Plunger: Unsealed

P4-10090



Miniature with Shrouded Pushbutton, Dusttight Sealed

Total Travel: 0.100" max

Operating Force: 4.0 lbs. max

Circuit: DPDT-DB

Rating: 8 amps Resistive @ 28VDC

Button: Black nylon

Housing: Black anodized aluminum

Plunger: Dusttight sealed

P4-900019



ALTERNATE ACTION PUSHBUTTONS

P5
ALTERNATE
ACTION

SEALED AGAINST DUST & MOISTURE

The P5 Alternate Action switches match the P1, P3 and P8 Momentary Action Pushbutton models for mixed function with common panel appearance. Now you can design panels with both alternate and momentary action switches and have uniform panel appearance. The P5 features alternate action in the same pushbutton and housing configuration as the momentary P1 and P3 and as a bonus, the P5 requires less behind the panel space than the P1 and P3 momentary versions.

Push and the P5 switch turns "on." Push again and the P5 switch turns "off." Positive tactile feedback is featured so the operator is clearly aware the switch mode has been executed. The button returns to the original position after each actuation.

To guard against front panel splash and dirt, the P5 series is sealed at the button with OTTO's patented "rolling sleeve" principle. The terminals are sealed with epoxy, providing a seal against flux during wiring and behind panel dirt and moisture. The combination of sealing provides smooth operation over a wide temperature range. Watertight sealing to IP68S is available.

A vandal resistant style is available in the P5-V series. Custom housings, shrouded buttons, contact configurations and materials are available to suit your application requirements. We also provide custom button engraving with epoxy ink backfill, watertight versions and other special characteristics.

Features:

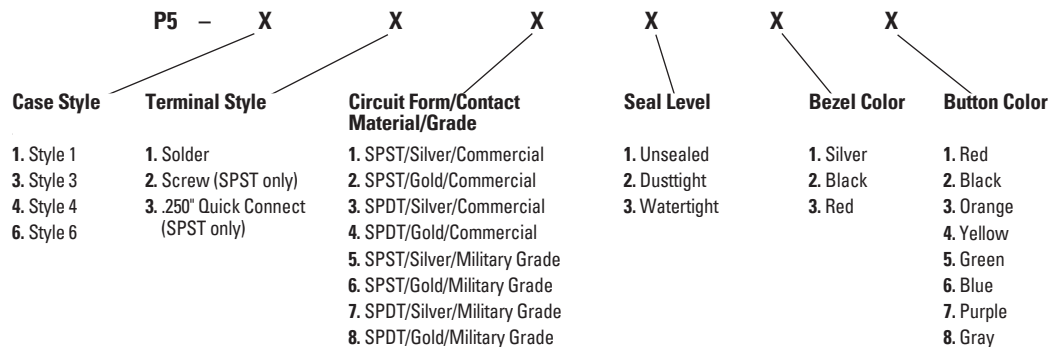
- Button sealed with "rolling sleeve" principle
- Contact area sealed at case & terminals
- Moistureproof & dusttight to IP64 & MIL-PRF-8805 Design 2 or watertight to IP68S
- Handles low level up to 10 amps
- Engraved buttons available
- Choice of 9 button & 3 bezel colors
- Panel appearance matches most other OTTO momentary pushbutton switches
- Unsealed construction also available
- RoHS/WEEE/Reach compliant

"Push On, Push Off" action



Standard Characteristics/Ratings:	
ELECTRICAL RATINGS:	
Load	Sea Level @ 28VDC or 115VAC, 60/400Hz
Resistive	5A
Inductive	3A
Lamp	1A
Motor	3A
DWV	1050Vrms
Logic Level	10-100mA @ 5-28VDC
Electrical Life:	25,000 cycles
Mechanical Life:	50,000 cycles
Seal:	IP64 & MIL-PRF-8805 Design 2 or IP68S
Operating Temp Range:	-55°C to +85°C
Operating Force:	3.0 lbs. +/-0.5 lb.
Total Travel:	0.180 inches max
Overtravel:	0.012 inches min
MATERIALS:	
Case:	Anodized aluminum alloy
Button:	Thermoplastic
Terminals:	Brass, silver plate or gold plate for low level
Terminal Hardware:	Terminal lugs, lockwasher and screw for screw terminal option
Mounting Hardware:	Hex nut, lockwasher and panel seal on watertight switches

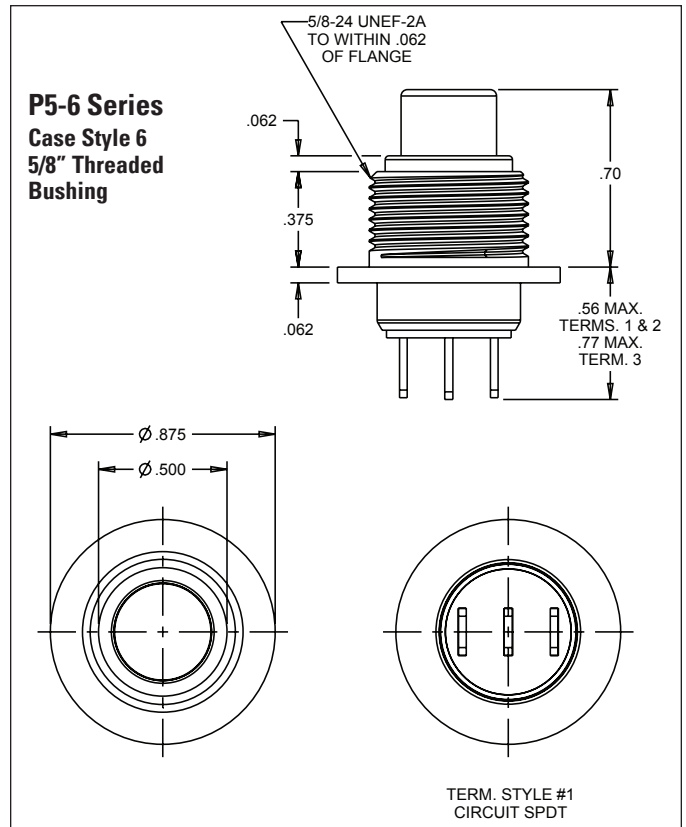
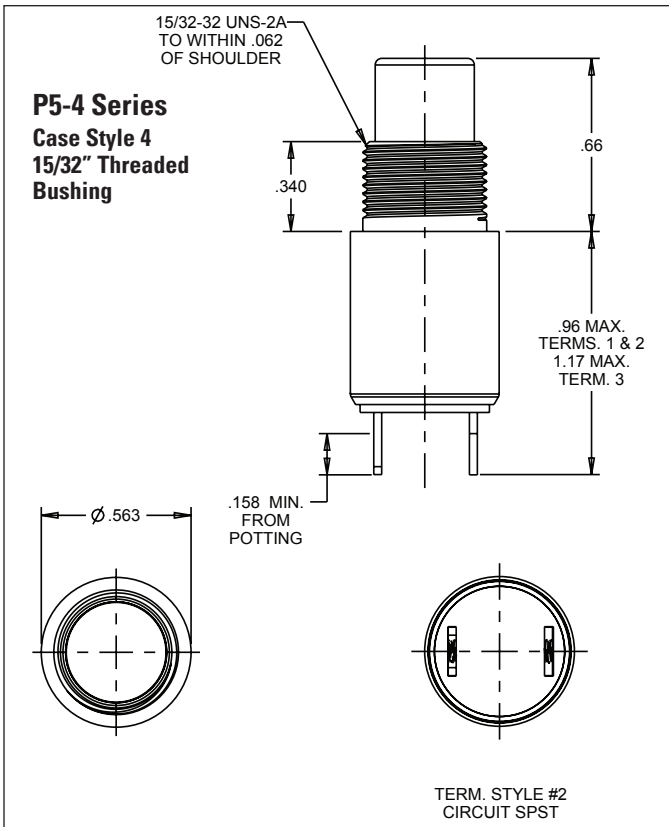
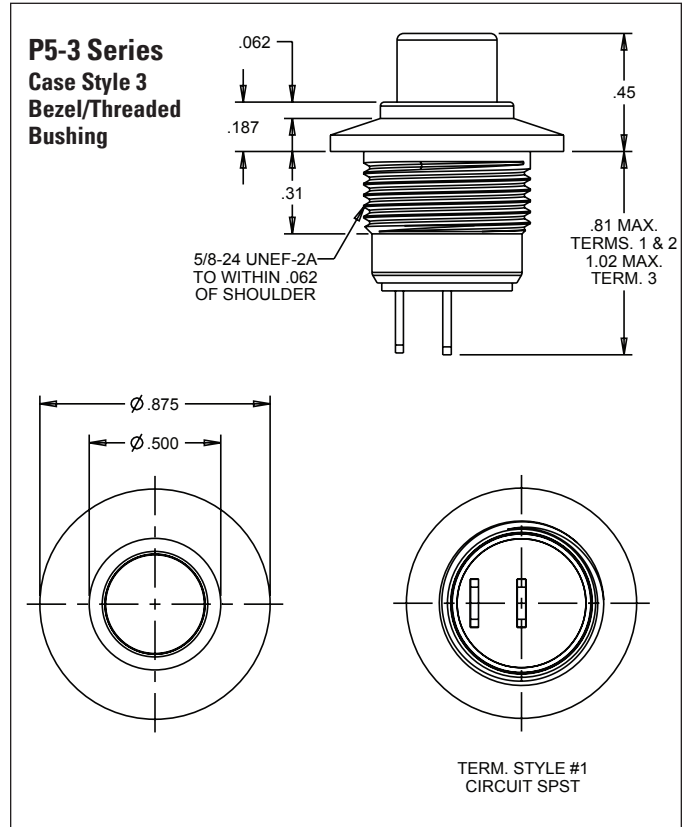
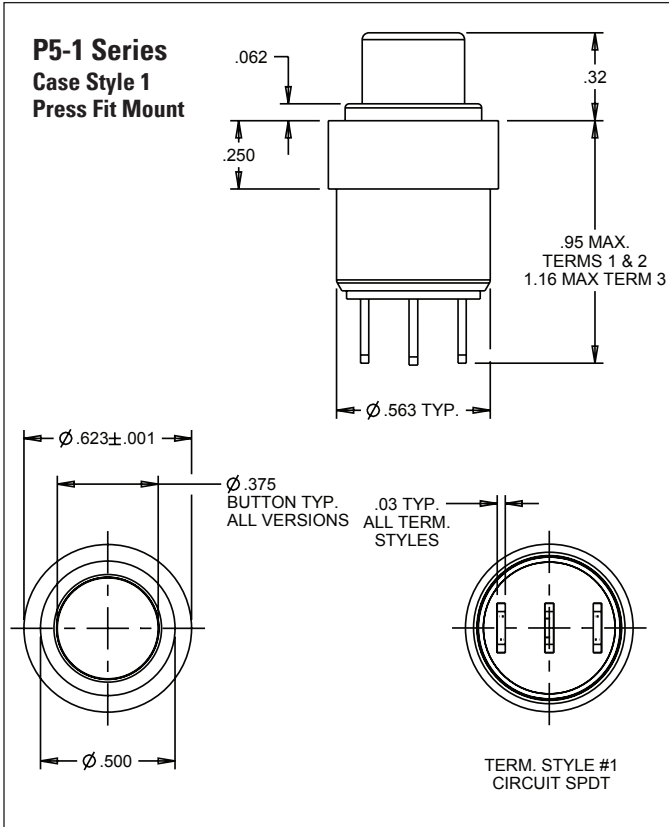
P5 PART NUMBER CODE



PUSHBUTTONS

ALTERNATE ACTION PUSHBUTTONS

SEALED AGAINST DUST & MOISTURE



ALTERNATE ACTION DOME PUSHBUTTONS

P5-D
ALTERNATE
ACTION

ATTRACTIVE & RUGGED FOR WET & DUSTY ENVIRONMENTS

The rugged P5-D switch is an alternate action "push on, push off" pushbutton switch with contoured dome styling. With two design versions, a flush dome and raised dome button profile, the P5-D offers excellent mechanical and electrical performance while operating under severe conditions found in demanding applications.

The P5-D features unsealed, dusttight, moistureproof and watertight seal options. A mechanical life of one million cycles, 25,000 cycles at full load.

The P5-D is a quality precision, snap-action switch designed for use in panels, instruments and other demanding applications where attractive, rugged pushbutton switches are required.

"Push On, Push Off" action

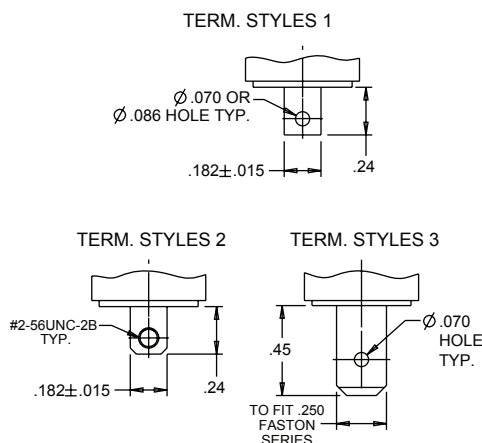
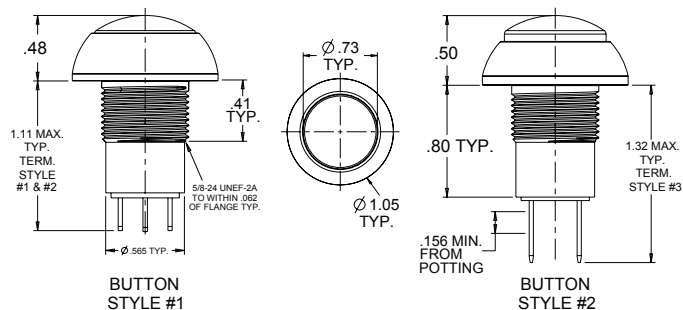


Flush Dome Button,
Also available with
Raised Dome



Features:

- 2 contoured button styles
- Button sealed with patented "rolling sleeve" principle
- Contact area sealed at case & terminals
- Less than 25mΩ contact resistance
- Handles low level up to 10 amps
- Moistureproof & dusttight to IP64 & MIL-PRF-8805 Design 2 or watertight to IP68S options
- Unsealed construction also available
- RoHS/WEEE/Reach compliant



Standard Characteristics/Ratings:	
ELECTRICAL RATINGS:	
Load	Sea Level @ 28VDC or 115VAC, 60/400Hz
Resistive	10A
Inductive	5A
Lamp	1A
Motor	3A
DWV	1050Vrms
Electrical Life:	25,000 cycles
Mechanical Life:	1,000,000 cycles
Seal:	IP64 & MIL-PRF-8805 Design 2 or IP68S
Operating Temp Range:	-55°C to +85°C
Operating Force:	3.0 lbs. +1/-0.5 lb.
Total Travel:	0.180 inches max
Overtravel:	0.012 inches min
MATERIALS:	
Case:	Anodized aluminum alloy
Button:	Thermoplastic
Terminals:	Brass with gold over silver
Terminal Hardware:	Screws, lockwashers and terminal lugs for screw terminal option
Mounting Hardware:	Hex nut, lockwasher

P5-D PART NUMBER CODE

P5-D	X	X	X	X	X
Button Style	Terminal Style/Rating	Circuit Form/Contact Material/Grade	Seal Level	Bezel Color	Button Color
1. Flush 2. Raised	1. Solder 2. Screw ① 3. 0.250" Quick Connect ①	1. SPST/Silver/Commercial 2. SPST/Gold/Commercial 3. SPDT/Silver/Commercial 4. SPDT/Gold/Commercial 5. SPST/Silver/Military Grade 6. SPST/Gold/Military Grade 7. SPDT/Silver/Military Grade 8. SPDT/Gold/Military Grade	1. Unsealed 2. Dusttight 3. Watertight	1. Clear 2. Black	1. Red 2. Black 3. Orange 4. Yellow 5. Green 6. Blue 7. Purple 8. Gray 9. White

① Available on SPST circuit forms only.

PUSHBUTTONS

ALTERNATE ACTION, SEALED AGAINST DUST & MOISTURE

The P5-V switch gives you all the functionality of the P5 Alternate Action switch with the added benefit of an aluminum security level case and button or a stainless steel vandal resistant case and button.

Push and the P5-V switch turns “on.” Push again and the switch turns “off.” Positive tactile feedback is featured so the operator is clearly aware the switch has been actuated. The button returns to the original position after each actuation.

To guard against front panel splash and dirt the P5-V is sealed at the button with OTTO’s patented “rolling sleeve” design. The terminals are sealed with epoxy, providing a seal against flux during wiring and behind panel dirt and moisture. The combination of sealing provides smooth operation over a wide temperature range. Watertight sealing to IP68S and IP69K is also available.

We are able to provide custom button engraving with epoxy ink backfill and other special characters, shrouded buttons, contact configurations and materials to suit your application requirements.

Features:

- Security (aluminum) or vandal resistant (stainless steel) case & button
- Button sealed with patented “rolling sleeve” design
- Contact area sealed at case & terminals
- Watertight to IP68S and IP69K or dusttight & moistureproof to IP64
- Less than 25mΩ contact resistance
- Handles low level up to 10 amps
- 1 million mechanical cycle life
- RoHS, Reach & WEEE Compliant



Standard Characteristics/Ratings:	
ELECTRICAL RATINGS:	
Load	Sea Level @ 28VDC or 115VAC, 60/400Hz
Resistive	5A
Inductive	3A
Lamp	1A
Motor	3A
DVV	1050Vrms
Low Level	10mA @ 30mV
Electrical Life:	25,000 cycles
Mechanical Life:	1,000,000 cycles
Seal:	IP64 or IP68S and IP69K
Operating Temp Range:	-55°C to +85°C
Operating Force:	3.0 lbs. +/-0.5 lb.
Total Travel:	0.180 inches max
Overtravel:	0.012 inches min
MATERIALS:	
Case:	Anodized aluminum alloy or stainless steel
Button:	Anodized aluminum alloy or stainless steel
Terminals:	Brass with gold over silver
Terminal Hardware:	Screw, lockwasher and terminal lug when applicable
Mounting Hardware:	Hex nut, lockwasher and panel seal when applicable

VANDAL RESISTANT PUSHBUTTONS

SEALED AGAINST DUST & MOISTURE

High Profile, Flat Button
Bezel Profile/Button Style 1

Low Profile, Curved Button
Bezel Profile/Button Style 4

High Profile, Curved Button
Bezel Profile/Button Style 2

Flush Mount, Flat Button
Bezel Profile/Button Style 5

Low Profile, Flat Button
Bezel Profile/Button Style 3

Case Style		
Dimension	1 - 4	5 - 8
A (Button Dia.)	Ø .525	Ø .590
B (Thread)	0.625-24 UNEF-2A	0.750-20 UNEF-2A
D-Flat	.594	.718

P5-V PART NUMBER CODE

P5 - X X X X X

Type	Thread*	Terminal Style/ Bezel Color	Circuit Form/ Contact Material	Seal	Bezel Profile/ Button
V. Stainless	1. 5/8-24 & Hex Nut	1. Solder Terminal/Silver	1. SPST/Silver	1. Dusttight	1. High Profile/Flat Button
A. Aluminum	3. 5/8-24 W/D-Flat & Hex Nut	2. Screw Terminal/Silver ①	2. SPST/Gold	2. Watertight	2. High Profile/Curved Button
	5. 3/4-20 & Hex Nut	3. Solder Terminal/Black ①	3. SPDT/Silver		3. Low Profile/Flat Button
	7. 3/4-20 W/D-Flat & Hex Nut	4. Screw Terminal/Black ① ②	4. SPDT/Gold		4. Low Profile/Curved Button
					5. Flush Profile

* For Knurl Nut Thread options, contact factory.
 ① Only Available on P5-A Styles.
 ② Screw terminals available on SPST circuits only.

PUSHBUTTONS

MOMENTARY ACTION, SEALED SUBMINIATURE PUSHBUTTON SNAP-ACTION SWITCHES

The P7 series incorporates OTTO's patented double break design in a significantly smaller package than the P1 series. These subminiature switches embrace today's technology requirements by allowing for a large number of switches to fit within a faceplate or a small panel space.

The long life snap-action design offers low contact resistance (25mΩ max initial) and is protected from the environment by a silicone rubber boot, operating on a "rolling sleeve" principle that gives long sealed life and smooth operation.

The P7 series is designed to meet the requirements of MIL-PRF-8805 including low level switching (10mA @ 30mV) with power switching up to 5 amps at 28VDC as well.

A variety of mounting styles are offered to best match the application. The P7-1, P7-2, P7-7 and P7-8 case styles feature a swaged bushing shape to allow press fit installation in aircraft flight control and hand grips and similar applications. The other styles feature threaded bushing mounting. The P7-3 and P7-A case styles have a front panel bezel, while the P7-5 and P7-6 have conventional bushings for rear panel mounted installations. Silver or black bezels are standard. Other colors available on special order.

Pushbuttons are available in a choice of nine colors. Excellent tactile feedback assures the operator that contact transfer has been made.

A choice of MIL-SPEC and commercial versions of these switches are offered: Moistureproof and dusttight to IP64 and MIL-PRF-8805 Design 2 or watertight to IP68S and to MIL-PRF-8805 Design 3.

Features:

- Low level switching capability
- Less than 25mΩ contact resistance
- High contact pressure
- 6 circuit variations
- Positive tactile feedback
- Variety of mounting styles
- Square button option with case style A
- Qualified to MIL-PRF-8805/110
- Moistureproof and dusttight to IP64 and MIL-PRF-8805 Design 2 or Watertight to IP68S and MIL-PRF-8805 Design 3
- RoHS/WEEE/Reach compliant



Standard Characteristics/Ratings:

ELECTRICAL RATINGS:		Sea Level @ 28VDC or 115VAC, 60Hz			50,000 feet @ 28VDC or 115VAC, 60Hz		
Load	Circuits:	1 & 2	3-5	6	1 & 2	3-5	6
Resistive		5A	2.5A	4A	5A	2.5A	4A
Inductive		3A	1.5A	2A	3A	1.5A	2A
Lamp		1A	0.5A	N/A	N/A	N/A	N/A
Motor		3A	1.5A	N/A	N/A	N/A	N/A
DWV		1050Vrms			400Vrms		
Center Contact		3A max					
Low Level		10mA @ 30mV					
Electrical Life:		25,000 cycles					
Mechanical Life:		1,000,000 cycles					
Seal:		Moistureproof and dusttight to IP64 and MIL-PRF-8805 Design 2 or Watertight to IP68S and MIL-PRF-8805 Design 3					
Operating Temp Range:		-55°C to +85°C					
Operating Force:		1.7 +/- 0.5 lb.					
Total Travel:		0.080 inches max					
Overtravel:		0.010 inches min					
MATERIALS:							
Case:		Anodized aluminum alloy					
Button:		Thermoplastic					
Terminals:		Brass with gold over silver					
Terminal Hardware:		None provided					
Mounting Hardware:		Hex nut, lockwasher and panel gasket when applicable					

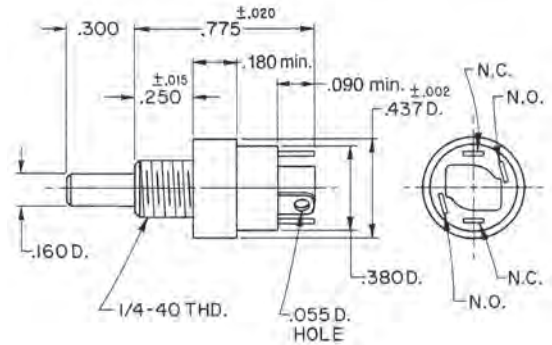
EXAMPLES OF CUSTOMIZED P7 SEALED PUSHBUTTONS



Special Longer Length Button

Panel seal gasket and watertight enclosure. Button is black nylon. Bezel is black anodized aluminum alloy.

Actuation Momentary
OTTO Part Number P7-500001

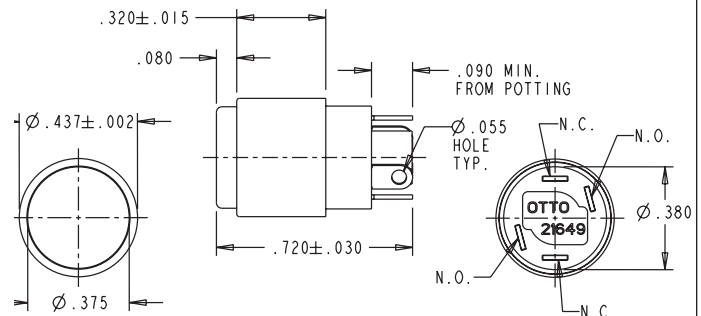


Special Large Button, Press Fit

Available with a 0.375" dia. button with three color options.

Color Red, Black, White
OTTO Part Number P7-900001, P7-900002, P7-900009

Contact factory for additional button color options.



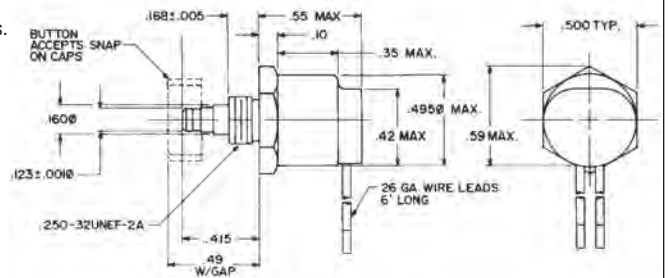
Special Snap-On Button, Wire Leads

Features changeable snap-on button caps available in two diameters and in a range of colors. Switch is splashproof sealed per MIL-PRF-8805 and is supplied with a silicone panel gasket.

Part Number: P7-500018

Button Color Red, Black, Orange, White
0.440" Dia. C400725-1, C400725-2, C400725-3, C400725-9
0.375" Dia. C400723-1, C400723-2, C400723-3, C400723-9

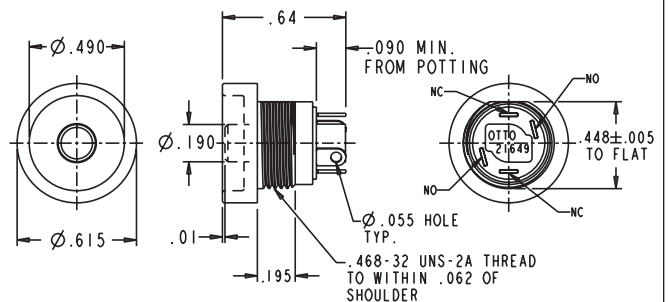
Contact factory for additional button color options.



Mini Pushbutton, Shrouded

This shrouded pushbutton is designed to reduce the chance of inadvertent actuation. Button size is .19". Enclosure design is watertight per IP68S.

Actuation Momentary
OTTO Part Number P7-900196



SEALED DOME PUSHBUTTONS

P7-D
DOME
PUSHBUTTONS

MOMENTARY ACTION, ATTRACTIVE & RUGGED FOR WET & DUSTY ENVIRONMENTS

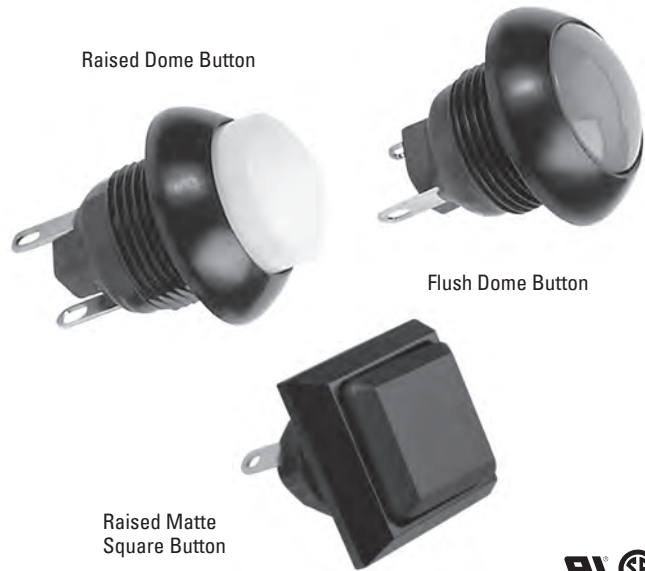
The P7-D pushbutton is a double break, momentary switch with a contoured dome style round or square pushbutton. Button versions include flush or raised round in glossy finish and raised square in matte finish. The P7-D features a shorter behind panel depth, dusttight and moistureproof sealed construction, and an excellent mechanical and electrical performance while operating under the most severe conditions. Its cycle life is one million operations at 1 amp resistive, 50,000 at full rated load of 5 amps resistive or 3 amps inductive.

The P7-D's positive tactile feedback signals the operator when the switch is operated. Multiple contact variations are available as well as a variety of special order button legends. The high contact pressure and unique contact design provides low contact resistance for low level switching capability as well as full rated service.

This quality precision snap-action switch is designed for use in instrument panels, grips, computers, heavy equipment and other applications where attractive rugged pushbutton switches are required.

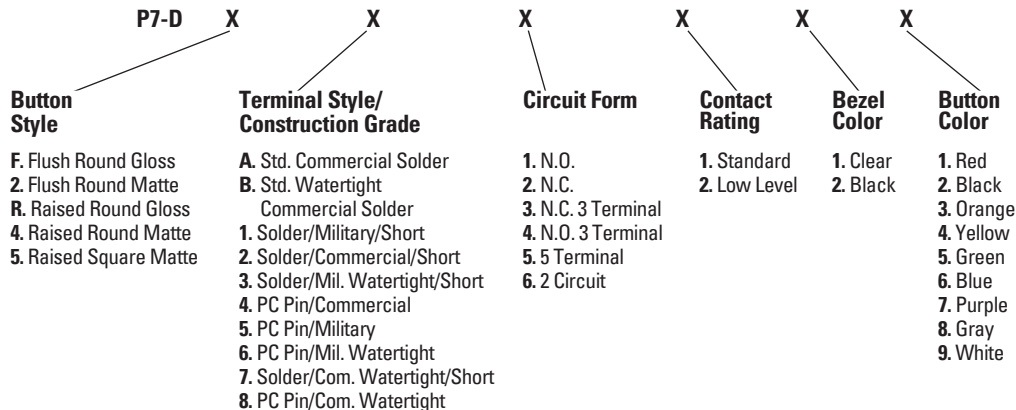
Features:

- Flush or raised round button in glossy finish and raised square button in matte finish available in a variety of colors
- Low level switching capability
- Less than 25mΩ contact resistance
- High contact pressure
- 6 circuit variations
- Positive tactile feedback
- Variety of mounting styles
- Constructed in accordance with MIL-PRF-8805/110 (no QPL)
- UL recognized & CSA certified
- Dusttight to IP64 & MIL-PRF-8805 Design 2, or watertight to IP68S
- RoHS/WEEE/Reach compliant



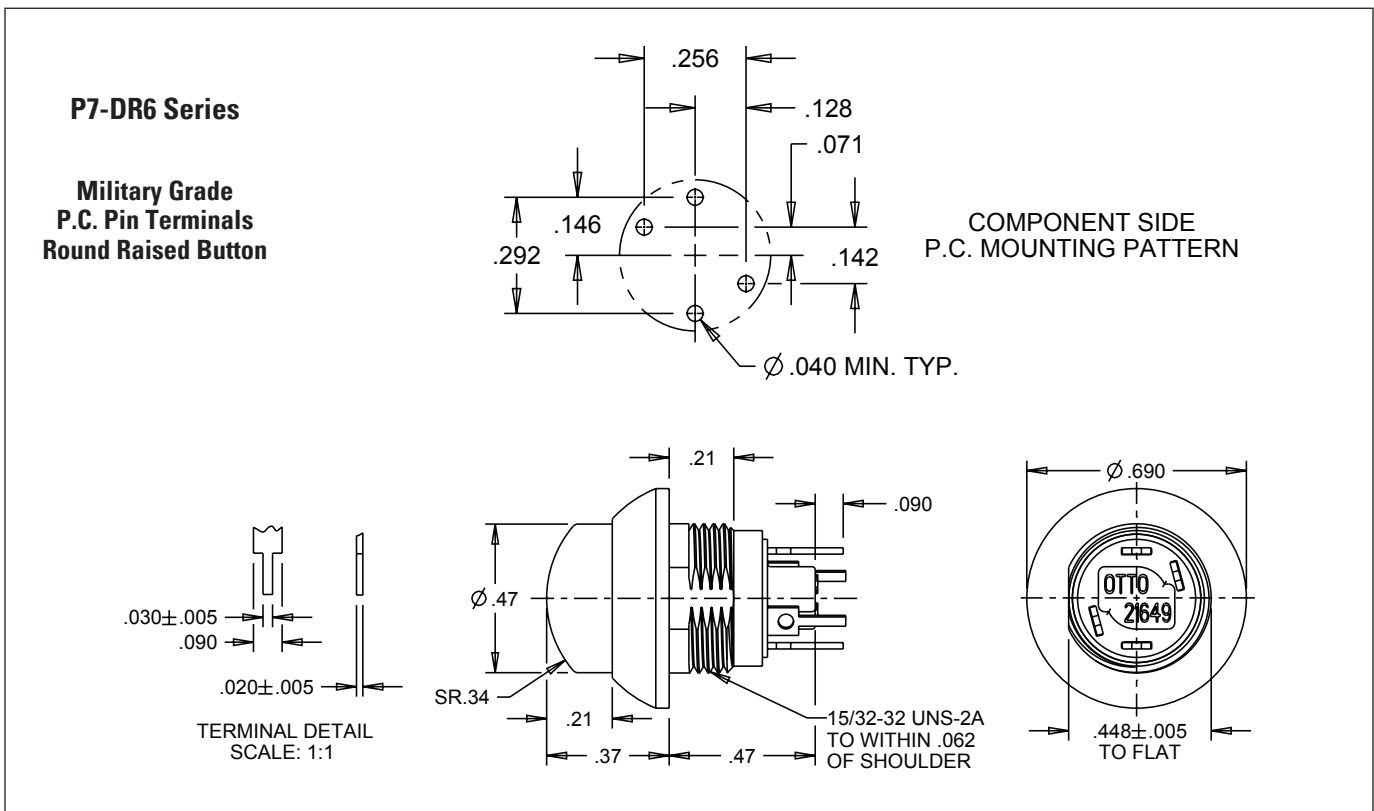
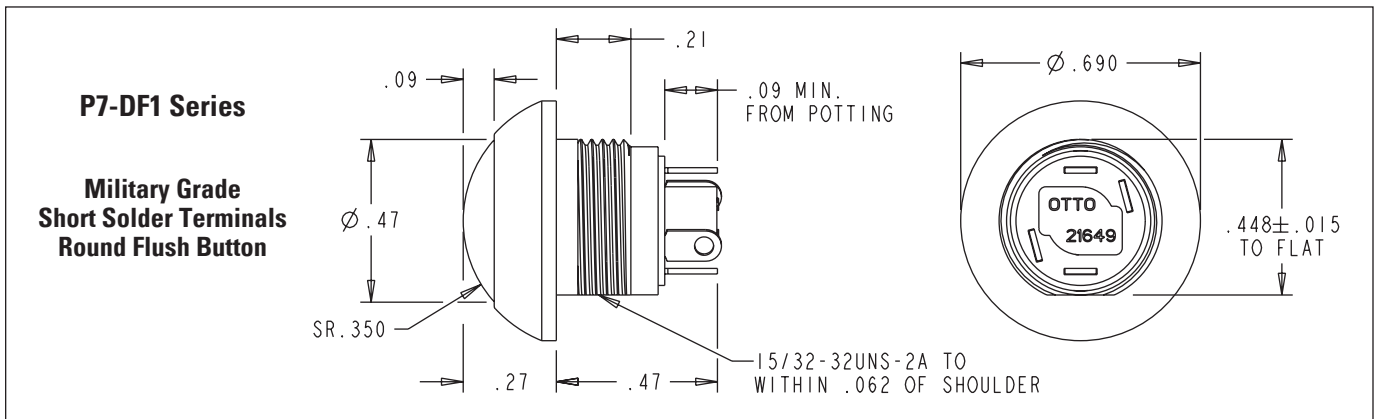
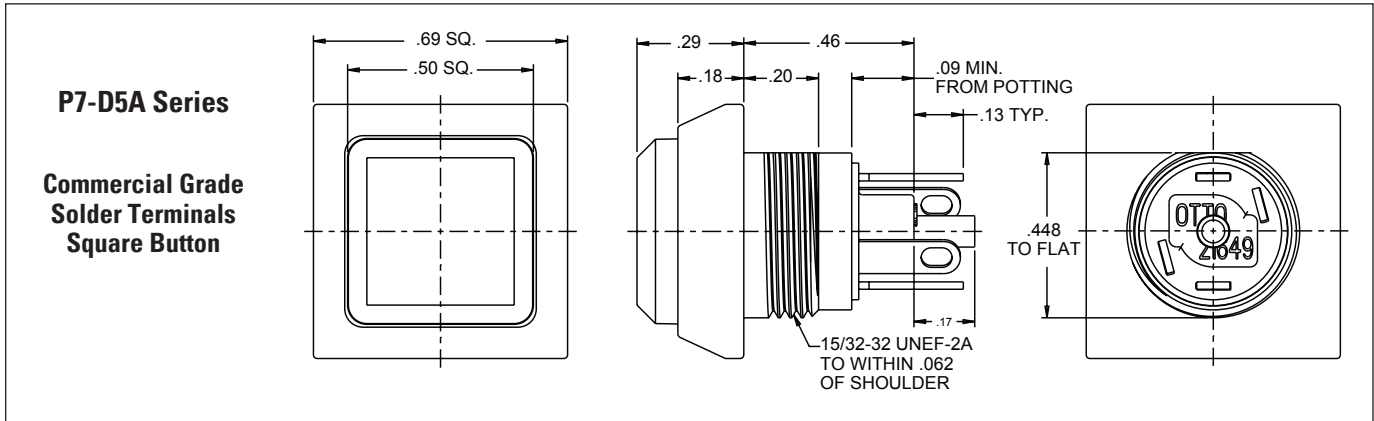
Standard Characteristics/Ratings:		
ELECTRICAL RATINGS:	Sea Level @ 28VDC or 115VAC, 60/400Hz	
Load	N.O./N.C.	Life Cycles
Resistive	1A	1,000,000
Resistive	5A	50,000
Inductive	3A	50,000
DWV	1050Vrms	
Low Level	10mA @ 30mV max	25,000
Electrical Life:	See Rating Chart	
Mechanical Life:	1,000,000 cycles	
Seal:	IP64, MIL-PRF-8805 Design 2, IP68S or MIL-PRF-8805 Design 3	
Operating Temp Range:	-55°C to +85°C	
Operating Force:	1.7 +/- 0.5 lb. (standard force)	
Total Travel:	0.080 inches max	
MATERIALS:		
Case:	Anodized aluminum alloy	
Button:	Thermoplastic	
Contacts:	Brass with gold over silver	
Terminal Hardware:	None provided	
Mounting Hardware:	Hex nut, lockwasher and panel seal on watertight versions	

P7-D PART NUMBER CODE



SEALED DOME PUSHBUTTONS

MOMENTARY ACTION, ATTRACTIVE & RUGGED FOR WET & DUSTY ENVIRONMENTS



MOMENTARY OR PUSH-PULL ACTION, SHORTER BEHIND PANEL, SUBMINIATURE DOUBLE BREAK

Makes and breaks every time!
OTTO's inherent rocking action
breaks welds and wipes contacts clean.

The P8 series pushbutton switches feature a shortened back panel depth while offering all the features of the regular size P1 and P3 series switches. P8 series switches offer vastly improved electrical and mechanical life under extreme conditions found in most military and industrial environments.

On sealed models, a silicone boot operating on our patented "rolling sleeve" principle protects the contact area against contamination at the button area. This boot provides long life and smooth operation over a wide temperature range. Sealed terminals protect the contact area from hostile environments and solder flux on both sealed and unsealed models.

High contact force (120g/4.2 oz), low contact resistance (25mΩ max) and short contact bounce are the result of our snap-action mechanism. These characteristics guarantee exceptional current carrying capabilities over the life of the switch. With the optional low level configuration the P8 is well suited to interface directly to computers and other solid state devices.

The P8 series is a quality precision snap-action switch designed for use in panel boards, control sticks, computers, instruments, pressure switches and other hand or machine operated applications where rugged pushbutton switches are required. In addition, its precision permits the OTTO P8 to also be used as a limit switch. The P8 offers unique size, high electrical ratings and a wide choice of mounting styles.

Features:

- Shorter behind panel depth than OTTO's P1/P3
- Patented "rolling sleeve" button seal
- Contact area sealed at button & terminals
- Positive tactile feedback
- Variety of mounting styles
- Variety of button lengths & shapes
- Engraved buttons & bezels available
- Mechanical life 1 million cycles
- UL recognized & CSA certified
- Sealed to IP64 or IP68S
- RoHS/WEEE/Reach compliant



Standard Characteristics/Ratings:

ELECTRICAL RATINGS:

Load	Sea Level @ 28VDC or 115VAC, 60/400Hz
Resistive	10A
Inductive	5A
Lamp	3A
DWV	1050Vrms
Low Level	10mA @ 30mV

Electrical Life: 100,000 cycles (25,000 low level)

Mechanical Life: 1,000,000 cycles

Seal: IP64 or IP68S

Operating Temp Range: -55°C to +85°C

Operating Force: 2.5 lbs. +0.5/-1.0 lb. or 4.0 lbs. +/- 1.0 lb.

Total Travel: 0.085 +/- 0.015 inches

Overtravel: 0.012 inches min

MATERIALS:

Case: Anodized aluminum alloy

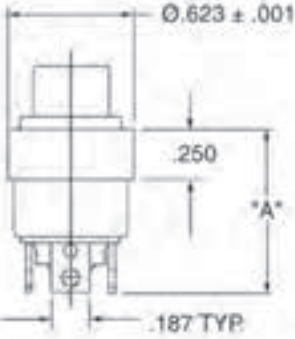
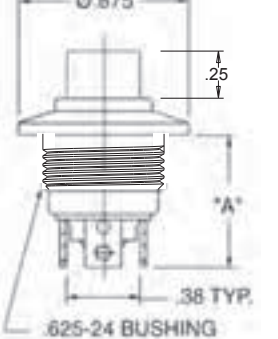
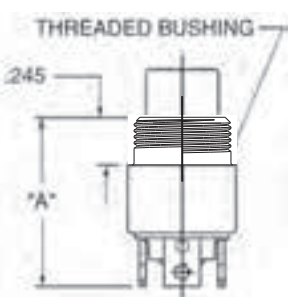
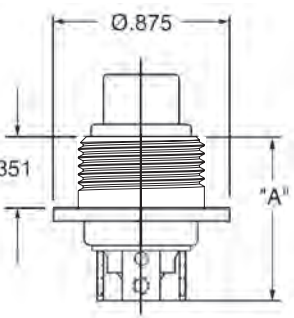
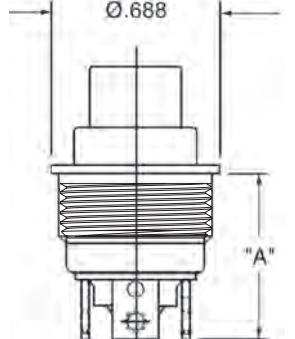
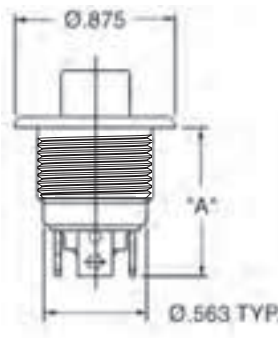
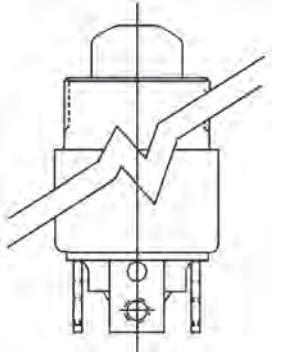
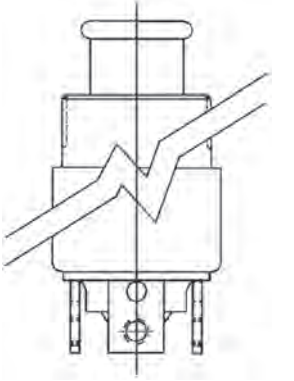
Button: Thermoplastic

Terminals: Brass with silver or brass with gold over silver for low level

Terminal Hardware: Terminal lugs, screws and lockwasher where applicable

Mounting Hardware: Hex nut, lockwasher, panel seal gasket when applicable

MOMENTARY OR PUSH-PULL ACTION, SHORTER BEHIND PANEL, SUBMINIATURE DOUBLE BREAK

<p>P8-1, Style A Bezel Press Fit Bushing Flat Button Shape Shown Specify Dia.: 0.312" or 0.375" Height: 0.187" or 0.250"</p>  <table border="1"> <thead> <tr> <th>Terminal Styles</th> <th>"A" (inches)</th> </tr> </thead> <tbody> <tr> <td>1, 2, 4 & 5</td> <td>0.808</td> </tr> <tr> <td>3 & 6</td> <td>0.922</td> </tr> </tbody> </table>	Terminal Styles	"A" (inches)	1, 2, 4 & 5	0.808	3 & 6	0.922	<p>P8-3, Style C Bezel 0.625-24 Bushing Flat Button Shape Shown Specify Dia.: 0.312" or 0.375" Height: 0.187" or 0.250"</p>  <table border="1"> <thead> <tr> <th>Terminal Styles</th> <th>"A" (inches)</th> </tr> </thead> <tbody> <tr> <td>1, 2, 4 & 5</td> <td>0.683</td> </tr> <tr> <td>3 & 6</td> <td>0.797</td> </tr> </tbody> </table>	Terminal Styles	"A" (inches)	1, 2, 4 & 5	0.683	3 & 6	0.797	<p>Small Bushing P8-4: 0.500-32 Bushing P8-5: 0.469-32 Bushing Flat Button Shape Shown Specify Dia.: 0.312" or 0.375" Height: 0.187" or 0.250"</p>  <table border="1"> <thead> <tr> <th>Model</th> <th>Terminal Styles</th> <th>"A" (inches)</th> </tr> </thead> <tbody> <tr> <td rowspan="2">P8-4</td> <td>1, 2, 4 & 5</td> <td>0.870</td> </tr> <tr> <td>3 & 6</td> <td>0.984</td> </tr> <tr> <td rowspan="2">P8-5</td> <td>1, 2, 4 & 5</td> <td>1.097</td> </tr> <tr> <td>3 & 6</td> <td>1.211</td> </tr> </tbody> </table>	Model	Terminal Styles	"A" (inches)	P8-4	1, 2, 4 & 5	0.870	3 & 6	0.984	P8-5	1, 2, 4 & 5	1.097	3 & 6	1.211	<p>P8-6, Style F Bezel 0.625-24 Bushing Flat Button Shape Shown Specify Dia.: 0.312" or 0.375" Height: 0.187" or 0.250"</p>  <table border="1"> <thead> <tr> <th>Terminal Styles</th> <th>"A" (inches)</th> </tr> </thead> <tbody> <tr> <td>1, 2, 4 & 5</td> <td>0.808</td> </tr> <tr> <td>3 & 6</td> <td>0.922</td> </tr> </tbody> </table>	Terminal Styles	"A" (inches)	1, 2, 4 & 5	0.808	3 & 6	0.922
Terminal Styles	"A" (inches)																																	
1, 2, 4 & 5	0.808																																	
3 & 6	0.922																																	
Terminal Styles	"A" (inches)																																	
1, 2, 4 & 5	0.683																																	
3 & 6	0.797																																	
Model	Terminal Styles	"A" (inches)																																
P8-4	1, 2, 4 & 5	0.870																																
	3 & 6	0.984																																
P8-5	1, 2, 4 & 5	1.097																																
	3 & 6	1.211																																
Terminal Styles	"A" (inches)																																	
1, 2, 4 & 5	0.808																																	
3 & 6	0.922																																	
<p>P8-7, Style G Bezel 0.625-24 Bushing Flat Button Shape Shown Specify Dia.: 0.312" or 0.375" Height: 0.187" or 0.250"</p>  <table border="1"> <thead> <tr> <th>Terminal Styles</th> <th>"A" (inches)</th> </tr> </thead> <tbody> <tr> <td>1, 2, 4 & 5</td> <td>0.683</td> </tr> <tr> <td>3 & 6</td> <td>0.797</td> </tr> </tbody> </table>	Terminal Styles	"A" (inches)	1, 2, 4 & 5	0.683	3 & 6	0.797	<p>P8-8, Style H Bezel 0.625-24 Bushing Flat Button Shape Shown Specify Dia.: 0.312" or 0.375" Height: 0.187" or 0.250"</p>  <table border="1"> <thead> <tr> <th>Terminal Styles</th> <th>"A" (inches)</th> </tr> </thead> <tbody> <tr> <td>1, 2, 4 & 5</td> <td>0.810</td> </tr> <tr> <td>3 & 6</td> <td>0.924</td> </tr> </tbody> </table>	Terminal Styles	"A" (inches)	1, 2, 4 & 5	0.810	3 & 6	0.924	<p>Dome Button Shape Specify Dia.: 0.312" or 0.375" Height: 0.187" or 0.250"</p> 	<p>Push-Pull Button Shape Available as Button Style P only.</p> 																			
Terminal Styles	"A" (inches)																																	
1, 2, 4 & 5	0.683																																	
3 & 6	0.797																																	
Terminal Styles	"A" (inches)																																	
1, 2, 4 & 5	0.810																																	
3 & 6	0.924																																	

ORDERING INFORMATION:

Select the OTTO P8 series switch to match your application requirements. Combinations of features are almost limitless. When ordering, please use the OTTO Part Number.

Example: P8-316329B specifies a "C" style bezel, silver color case, solder terminals, 2 circuit contact configuration, standard contact rating, watertight seal construction, 4.0 lbs. operating force momentary action, white button 0.375" diameter by 0.250" long, dome shaped. For low level switching option, specify P8-316529B.

P8 PART NUMBER CODE

P8	-	X	X	X	X	X	X
Bezel Style		Terminal Style/Case Color	Circuit Form	Current Rating Level/Seal Type	Operating Force/Action	Button Color	Button Diameter/Length/Shape ②
1. Style A		1. Solder/Silver	1. N.O.	1. Std./Unsealed ③	1. 2.5 lbs./Momentary	1. Red	A. 0.375"/0.250"/Flat
3. Style C		2. Screw/Silver	2. N.C.	2. Std./Moistureproof	2. 4.0 lbs./Momentary	2. Black	B. 0.375"/0.250"/Dome
4. 0.50-32 THD		3. Faston/Silver ①	6. 2 Circuit	3. Std./Watertight	3. Push-Pull ②	3. Orange	C. 0.375"/0.187"/Flat
5. 0.469-32 THD		4. Solder/Black		4. Low Level/Moistureproof		4. Yellow	D. 0.375"/0.187"/Dome
6. Style F		5. Screw/Black		5. Low Level/Watertight		5. Green	E. 0.312"/0.250"/Flat
7. Style G		6. Faston/Black ①		6. Std./Dusttight		6. Blue	F. 0.312"/0.250"/Dome
8. Style H						7. Purple	G. 0.312"/0.187"/Flat
						8. Gray	H. 0.312"/0.187"/Dome
						9. White	P. 0.375"/0.250"/Flat ②

① Faston receptacles: 0.187" on N.O.; 0.110" on N.C. terminals.
② Push-pull action available in button style "P" only.
③ Unsealed units are not recommended for low level current duty.

VANDAL RESISTANT PUSHBUTTONS

P8-V
COMPACT
PUSHBUTTONS

MOMENTARY ACTION, SHORTER BEHIND PANEL, SUBMINIATURE DOUBLE BREAK, SNAP-ACTION

The P8 Vandal Resistant series is a durable, robust switch, offering the same quality and precision tactile feedback found in the standard P8 series. With a variety of case, mounting and terminal styles and a mechanical life of 1,000,000 cycles, this stainless steel sealed switch is ideal for door access security systems, public transit systems, emergency phones, traffic signals, industrial and process control environments and anywhere that ruggedness, durability and security are crucial.

OTTO P8 series pushbutton switches feature a shortened back of panel depth while offering all the features of the regular size P1 and P3 series switches. P8 series switches offer vastly improved electrical and mechanical life under extreme conditions found in most military and industrial environments.

On sealed models, a silicone boot operating on our patented "rolling sleeve" principle protects the contact area against contamination at the button area. This boot provides long life and smooth operation over a wide temperature range. Sealed terminals protect the contact area from hostile environments and solder flux on both sealed and unsealed models.

High contact force (120g/4.2 oz), low contact resistance (25mΩ) and short contact bounce (5ms max) are all a result of our snap-action mechanism. These characteristics provide exceptional current carrying capabilities over the life of the switch. Optional low level (gold plate) configuration makes the P8-V switches well suited to interface directly to computers and other solid state devices.

Features:

- **Stainless steel vandal resistant case**
- **Aluminum security level case**
- **Watertight to IP68S and IP69K or moistureproof & dusttight to IP64**
- **Positive tactile feedback**
- **Less than 25mΩ contact resistance**
- **Variety of case and button styles available**
- **Mechanical life 1 million cycles**
- **UL recognized & CSA certified**
- **UL1500 ignition protected**
- **RoHS/WEEE/Reach compliant**



Flush Mount,
5/8" Thread Shown



Standard Characteristics/Ratings:

ELECTRICAL RATINGS:

Load	Sea Level @ 28VDC or 115VAC, 60/400Hz
Resistive	10A
Inductive	5A
Lamp	3A
DWV	1050Vrms
Low Level	10mA @ 30mV
Electrical Life:	100,000 cycles (25,000 low level)
Mechanical Life:	1,000,000 cycles
Seal:	IP64 or IP68S and IP69K
Operating Temp Range:	-55°C to +85°C
Operating Force:	2.5 lbs. +0.5/-1.0 lb. or 4.0 lbs. +/- 1.0 lb.
Total Travel:	0.085 +/- 0.015 inches
Overtravel:	0.012 inches min
Movement Differential:	0.015 inches min

MATERIALS:

Case:	Anodized aluminum alloy or stainless steel
Button:	Anodized aluminum alloy or stainless steel
Terminals:	Standard silver plate or optional gold plate for low level applications
Terminal Hardware:	Terminal lugs, screws and lockwasher when applicable
Mounting Hardware:	Hex nut, lockwasher and panel seal gasket when applicable

PUSHBUTTONS

MOMENTARY ACTION, SHORTER BEHIND PANEL, SUBMINIATURE DOUBLE BREAK, SNAP-ACTION

<p>High Profile, with Flat Button Style 1</p>	<p>Low Profile, with Curved Button Style 4</p>															
<p>High Profile, with Curved Button Style 2</p>	<p>Flush Mount Style 5</p>															
<p>Low Profile, with Flat Button Style 3</p>	<table border="1"> <thead> <tr> <th></th> <th colspan="2">Case Style</th> </tr> <tr> <th>Dimension</th> <th>1 - 4</th> <th>5 - 8</th> </tr> </thead> <tbody> <tr> <td>A (Button Dia.)</td> <td>0.525</td> <td>0.590</td> </tr> <tr> <td>B (Thread)</td> <td>0.625-24</td> <td>0.750-20</td> </tr> <tr> <td>D-Flat</td> <td>0.594</td> <td>0.718</td> </tr> </tbody> </table>		Case Style		Dimension	1 - 4	5 - 8	A (Button Dia.)	0.525	0.590	B (Thread)	0.625-24	0.750-20	D-Flat	0.594	0.718
	Case Style															
Dimension	1 - 4	5 - 8														
A (Button Dia.)	0.525	0.590														
B (Thread)	0.625-24	0.750-20														
D-Flat	0.594	0.718														

P8-V PART NUMBER CODE

Type	Case Style & Mounting*	Terminal Style/ Case Color	Circuit Form	Current Rating/Seal	Operating Force	Button Profile
V. Vandal Resistant (SS Case & Button)	1. 5/8-24 & Hex Nut 3. 5/8-24 W/D-Flat & Hex Nut	1. Solder Terminal/Silver 2. Screw Terminal/Silver	1. N.O. 2. N.C.	2. Std./Splashproof 3. Std./Watertight	1. 2.5 lbs. 2. 4.0 lbs.	1. High Profile/Flat Button 2. High Profile/Curved Button
A. Security Level (AL Case & Button)	5. 3/4-20 & Hex Nut 7. 3/4-20 W/D-Flat & Hex Nut	3. Faston Terminal/Silver ②③ 4. Solder Terminal/Black ① 5. Screw Terminal/Black ① 6. Faston Terminal/Black ①②③	6. 2 Circuit	4. Low Level/Splashproof 5. Low Level/Watertight		3. Low Profile/Flat Button 4. Low Profile/Curved Button 5. Flush Profile

* For Knurl Nut options, contact factory.

① Only available on P8-A Styles

② Overall length +0.12" for faston terminals

③ Faston receptacles: 0.187" on N.O.; 0.110" on N.C. terminals

SEALED DOME PUSHBUTTON SWITCHES

P9
DOME
PUSHBUTTONS

MOMENTARY ACTION, ATTRACTIVE & RUGGED FOR WET & DUSTY ENVIRONMENTS

The P9 Dome series pushbutton switches feature a contoured dome style pushbutton and share similar size and characteristics to the P7-D series. Major differences are plastic housing construction and the availability of a shorting bar contact arrangement. There are two button versions: flush button profile and raised button profile, and two bezel versions: standard and small. The P9 comes with a threaded case for hex nut mounting or with a snap-in case. The switch series features short behind panel depth and offers excellent mechanical and electrical performance while operating under severe conditions found in demanding applications.

The P9 Dome series is offered in dusttight and moistureproof sealed construction. One million mechanical operations and an electrical life of 25,000 operations at full rated load of 5 amps resistive or 3 amps inductive.

Watertight sealing to IP68S and IP69K is available simply by adding a "W" suffix to the part number.

The P9 Dome series is available in standard and low-force double break snap-action and non-snap shorting bar models. All are momentary action. Special contact variations are available. High contact pressure and unique contact design provide low contact resistance for low level switching capability as well as full rated service. Solder, PC Pin, and 0.110" Quick Connect termination options are available.

Positive tactile feedback signaling the operator when the switch is operated is available in snap-action models but not shorting bar models.

The P9 Dome series is a quality precision switch designed for use in panels, control grips, computers, instruments, heavy equipment and other demanding applications where attractive, rugged pushbutton switches are required.

Features:

- Flush and raised dome button styles in gloss or matte finish
- Small bezel option
- Double break or shorting bar, momentary action
- All plastic housing & button construction
- Threaded body or snap-in panel mounting
- Withstands extreme shock & vibration
- Positive tactile feedback contact transfer on snap-action models
- Solder, PC Pin & 0.110" Quick Connect terminal styles
- Moistureproof & dusttight to IP64 or watertight to IP68S and IP69K
- UL recognized & CSA certified
- RoHS/WEEE/Reach compliant

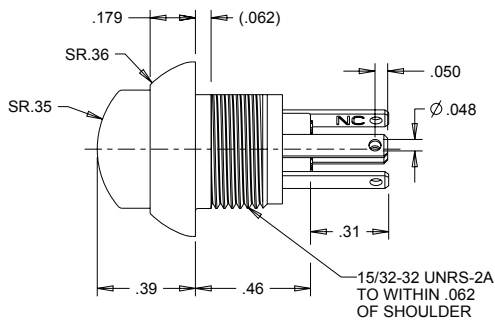


Standard Characteristics/Ratings:		
ELECTRICAL RATINGS:	Sea Level @ 28VDC or 115VAC, 60/400Hz	
Load	N.O./N.C.	2 Circuit
Resistive	5A	4A
Inductive	3A	2A
DWV	1050Vrms	
Electrical Life:	25,000 cycles	
Mechanical Life:	1,000,000 cycles	
Seal:	IP64 or IP68S and IP69K	
Operating Temp Range:	-40°C to +85°C	
Operating Force:	Standard: 1.7 lbs. +/- 0.5 lb. Low Force: 12 oz +/- 4 oz Shorting Bar: 18 oz +/- 6 oz	
Total Travel:	0.080 inches max	
Overtravel:	0.010 inches min	
MATERIALS:		
Case:	Thermoplastic	
Button:	Thermoplastic	
Terminals:	Brass with gold over silver	
Terminal Hardware:	None provided	
Mounting Hardware:	Hex nut, lockwasher Panel gasket when applicable	

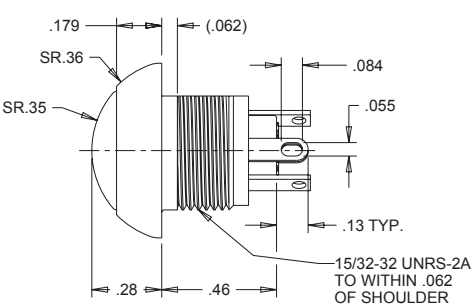
PUSHBUTTONS

SEALED DOME PUSHBUTTON SWITCHES

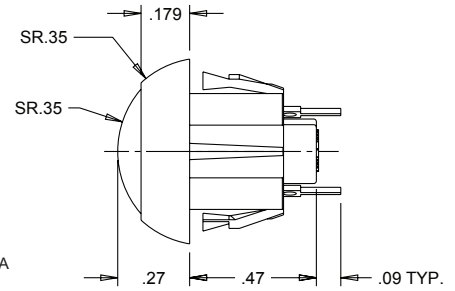
CHOICE OF SNAP-ACTION & SHORTING BAR ACTION



Raised Dome Button Style



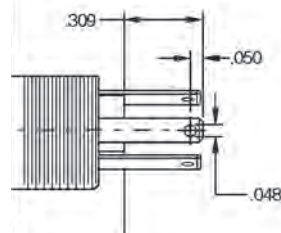
Flush Dome Button Style



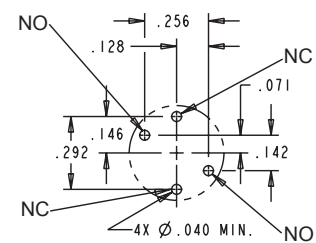
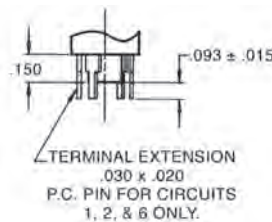
**Snap-In Case
 (PC Terminals Shown)**



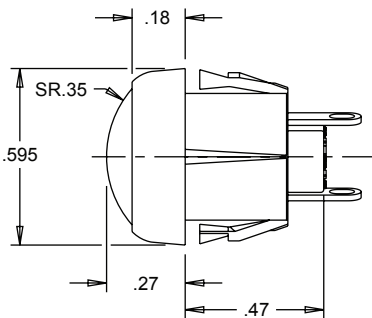
Threaded Case Terminal Detail



0.110" Quick Connect Detail



**Component Side
 P.C. Mounting Pattern
 (As viewed from switch bottom)**



Flush Dome Small Bezel Style

Recommended Panel Openings		
*Panel Thickness	Recommended \varnothing	DIM. Across D-Flat
0.024*	0.505	0.460
0.031	0.505	0.460
0.118*	0.505	0.460
0.125	0.505	0.460

* Must use panel gasket C401669 supplied with the switch.

- Snap-in case allows front panel mounting into 0.024" or 0.118" thick panels using panel gasket C401669 or into 0.031" and 0.125" thick panels
- 0.110" Quick Connect terminals allow reliable, solderless wire connections
- Flush Neoprene Black Boot P/N C402339
- Raised Neoprene Black Boot P/N C402246
- Flush Silicone Translucent Boot P/N C402599-1
- Raised Silicone Translucent Boot P/N C402611-1

ORDERING INFORMATION:

Select the OTTO P9 series features that match your specific application. Standard and special features are shown at right. Specify your choice by building the OTTO Part Number code.

Example: P9-211121 specifies raised dome style button, threaded case, solder terminals, N.O. circuit form, standard snap-action, black case/bezel, red button.

P9	-	X	X	X	X	X	*
Button & Case Style***			Terminal Style	Circuit Form	Switch Action	Case/Bezel Color	Button Color
1. Flush Dome & Threaded Case, Std. Finish 2. Raised Dome & Threaded Case, Std. Finish 3. Flush Dome & Snap-In Case, Std. Finish 4. Raised Dome & Snap-In Case, Std. Finish 5. Flush Dome & Threaded Case, Matte Finish 6. Raised Dome & Threaded Case, Matte Finish 7. Flush Dome & Snap-In Case, Matte Finish 8. Raised Dome & Snap-In Case, Matte Finish 9. Flush Dome & Snap-In Case, Std. Finish, Small Bezel A. Raised Dome & Snap-In Case, Std. Finish, Small Bezel			1. Solder 2. PC Pin 3. 0.110" Quick Connect	1. N.O. 2. N.C. ① 3. 2 Circuit ①	1. Standard Snap-Action 2. Low Force Snap-Action 3. Non-Snap Shorting Bar	1. Red 2. Black 3. Orange** 4. Yellow** 5. Green** 6. Blue** 7. Violet** 8. Gray** 9. White	1. Red 2. Black 3. Orange 4. Yellow 5. Green 6. Blue 7. Violet 8. Gray 9. White

① Not available in Shorting Bar version.

** Add "W" suffix for watertight to IP68S and IP69K (will include panel gasket)

*** Contact factory for minimum requirement.

*** Contact factory for std./matte button/case combination options.

LOW LEVEL SEALED PUSHBUTTON SWITCHES

P9C
DOME
PUSHBUTTONS

LOW LEVEL, MOMENTARY ACTION, LONG LIFE, RUGGED PUSHBUTTON FOR HARSH ENVIRONMENTS

Competitively priced, the P9C pushbutton is a low-level only momentary, normally open, IP68S sealed switch with a dome style pushbutton and a 3 million cycle life. Flush dome and raised dome button profiles are available in either gloss or matte finish.

The P9C comes with a standard 15/32" threaded case for hex nut mounting and features short behind panel depth. It also offers excellent performance while operating under severe conditions found in demanding applications.

The P9C is a quality precision switch designed for use in control panels, grips, computers, instruments and other applications where attractive, rugged, long life pushbutton switches are required.

Features:

- 3 million cycles
- Sealed to IP68S
- All plastic housing & button construction
- Positive tactile feedback
- 2 button heights
- RoHS/WEEE/Reach compliant



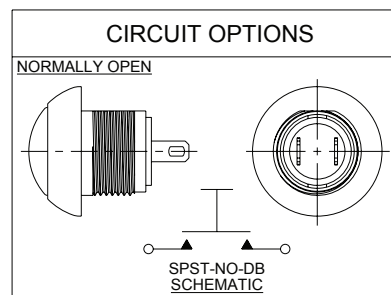
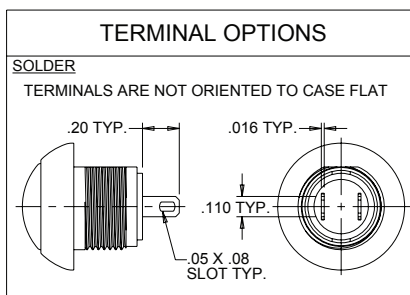
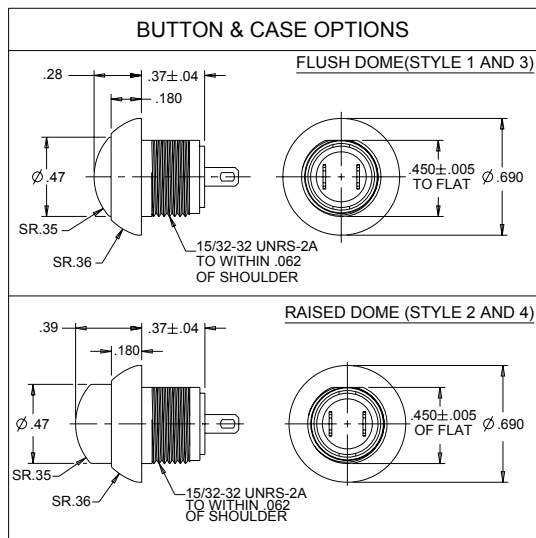
Standard Characteristics/Ratings:

ELECTRICAL RATINGS:

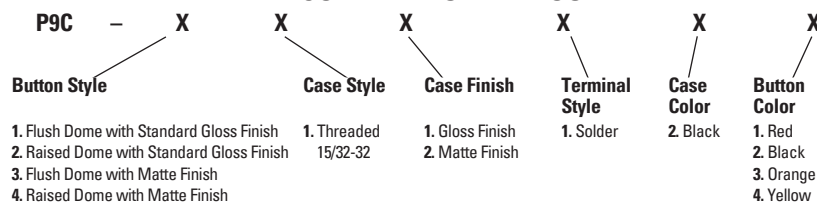
Load	1-32VDC
Resistive	100mA
Inductive	100mA
DWV	1000Vrms
Electrical Life:	3,000,000 cycles
Mechanical Life:	3,000,000 cycles
Seal:	Dusttight and Watertight per IP68S
Operating Temp Range:	-40°C to +85°C
Operating Force:	1.2 lbs. ± 0.7 lb.
Total Travel:	0.080 inches max
Overtravel:	0.010 inches min

MATERIALS:

Case:	Thermoplastic
Button:	Thermoplastic
Mounting Hardware:	Hex nut, lockwasher



P9C PART NUMBER CODE



PUSHBUTTONS

SEALED, LATCHING PUSHBUTTON

The P9M pushbutton is a small, sealed, normally open, latching switch, ideal for basic ON/OFF functions. Push the button to latch it into position, push again to unlatch. Flush dome and raised dome button profiles are available in either gloss or matte finish.

The P9M comes with a standard 15/32" threaded case for hex nut mounting and features short behind panel depth. It also offers excellent performance while operating under severe conditions found in demanding applications.

The P9M is a quality precision switch designed for use in control panels, grips, computers, instruments and other applications where attractive, rugged, long life pushbutton switches are required.

Features:

- Sealed to IP68S
- All plastic housing & button construction
- 15/32" standard bushing
- Flush and raised dome button styles in gloss or matte finish
- RoHS/WEEE/Reach compliant



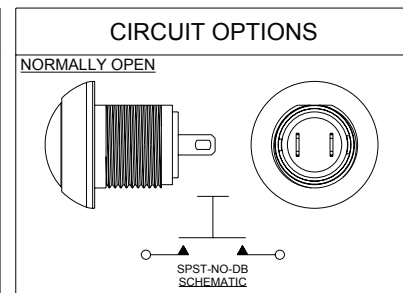
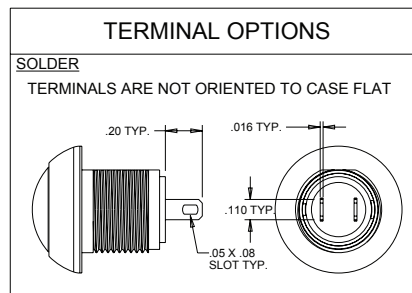
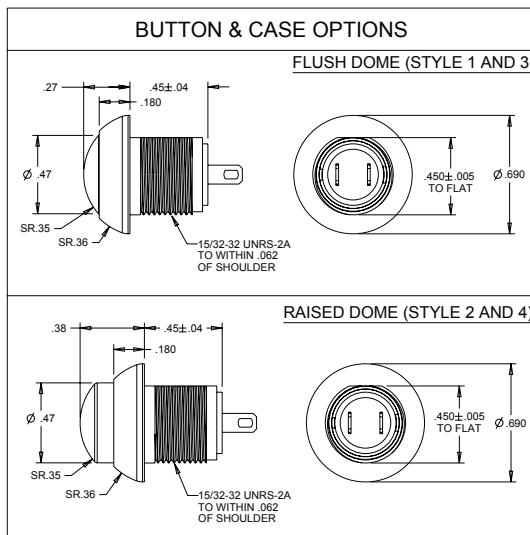
Flush Dome
Also available with
Raised Dome



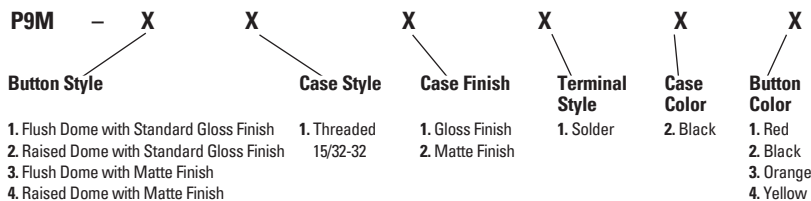
Latched Position

Standard Characteristics/Ratings:

ELECTRICAL RATINGS: @ Sea Level			
Load	Voltage	Current	Life Cycles
Resistive	12VDC	4A	200,000
Resistive	48VDC	1A	200,000
Resistive	48VDC	2A	100,000
Resistive	48VDC	3A	75,000
Logic Level	3-28VDC	10-100mA	200,000
DVVV	1000Vrms		
Electrical Life:	See Rating Chart		
Mechanical Life:	200,000 cycles		
Seal:	IP68S		
Operating Temp Range:	-40°C to +85°C		
Operating Force:	12+/-6 ounces		
Total Travel:	.071+/-0.015 inches		
Contact Resistance:	0.050 Ω max. initial		
Insulation Resistance:	1 GΩ min. at 500 VDC		
MATERIALS:			
Case:	Thermoplastic		
Button:	Thermoplastic		
Contacts:	Silver with gold		
Mounting Hardware:	Hex nut, lockwasher and panel seal		



P9M PART NUMBER CODE



MOMENTARY ACTION NORMALLY OPEN OR NORMALLY CLOSED



Features:

- MIL-PRF-8805/96 qualified
- Momentary snap-action
- Sealed or unsealed
- Compact, space-saving design
- Black or red button colors available
- Clear or black case colors available
- RoHS/WEEE/Reach compliant

Standard Characteristics/Ratings:	
ELECTRICAL RATINGS:	
Load	Sea Level @ 28VDC or 115VAC, 60/400Hz
Resistive	5A
Inductive	2A
DWV	1000Vrms
Electrical Life:	25,000 cycles
Mechanical Life:	50,000 cycles
Seal:	Unsealed per MIL-PRF-8805 Design 1 or Dusttight per MIL-PRF-8805 Design 2
Operating Temp Range:	-55°C to +85°C
Operating Force:	1.5 lbs. +/- 0.5 lb. (unsealed) 1.75 lbs. +/- 0.5 lb. (dusttight)
Total Travel:	0.095 inches +/- 0.015 inches
Overtravel:	0.010 inches min
Pretravel:	0.010 inches min
MATERIALS:	
Case:	Anodized aluminum alloy, clear or black
Button:	Thermoplastic
Terminals:	Silver alloy
Mounting Hardware:	Hex nut and lockwasher

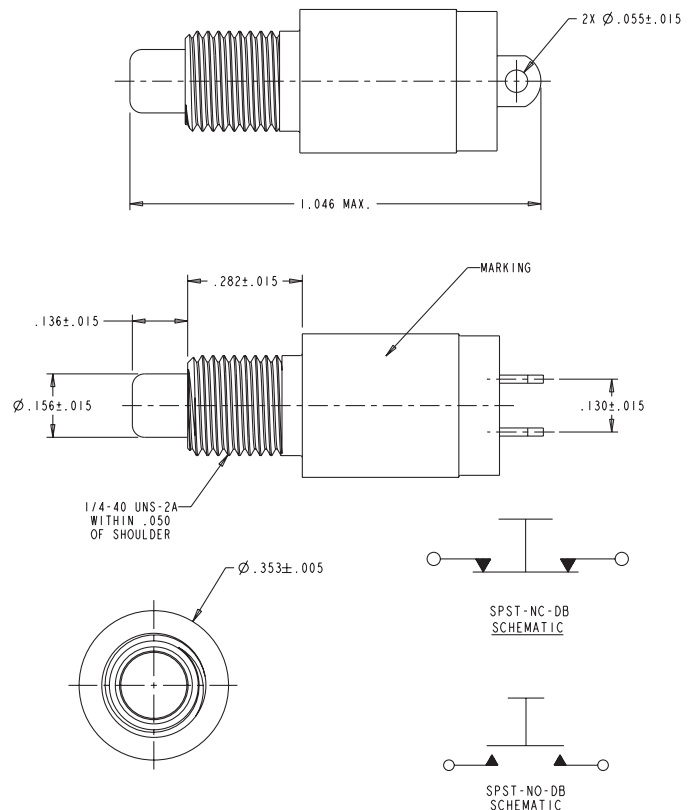
Momentary, Normally Open

OTTO PART NUMBER	MILITARY PART NUMBER	SEAL	CASE COLOR	BUTTON COLOR
PE-1111	M8805/96-001	UNSEALED	CLEAR	RED
PE-1112	M8805/96-002	UNSEALED	CLEAR	BLACK
PE-1121	M8805/96-005	UNSEALED	BLACK	RED
PE-1122	M8805/96-006	UNSEALED	BLACK	BLACK
PE-1211	M8805/96-009	DUST TIGHT	CLEAR	RED
PE-1212	M8805/96-010	DUST TIGHT	CLEAR	BLACK
PE-1221	M8805/96-013	DUST TIGHT	BLACK	RED
PE-1222	M8805/96-014	DUST TIGHT	BLACK	BLACK

Momentary, Normally Closed

OTTO PART NUMBER	MILITARY PART NUMBER	SEAL	CASE COLOR	BUTTON COLOR
PE-2111	M8805/96-003	UNSEALED	CLEAR	RED
PE-2112	M8805/96-004	UNSEALED	CLEAR	BLACK
PE-2121	M8805/96-007	UNSEALED	BLACK	RED
PE-2122	M8805/96-008	UNSEALED	BLACK	BLACK
PE-2211	M8805/96-011	DUST TIGHT	CLEAR	RED
PE-2212	M8805/96-012	DUST TIGHT	CLEAR	BLACK
PE-2221	M8805/96-015	DUST TIGHT	BLACK	RED
PE-2222	M8805/96-016	DUST TIGHT	BLACK	BLACK

PE-1 Series Shown

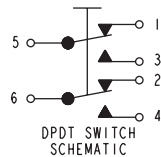
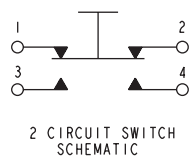
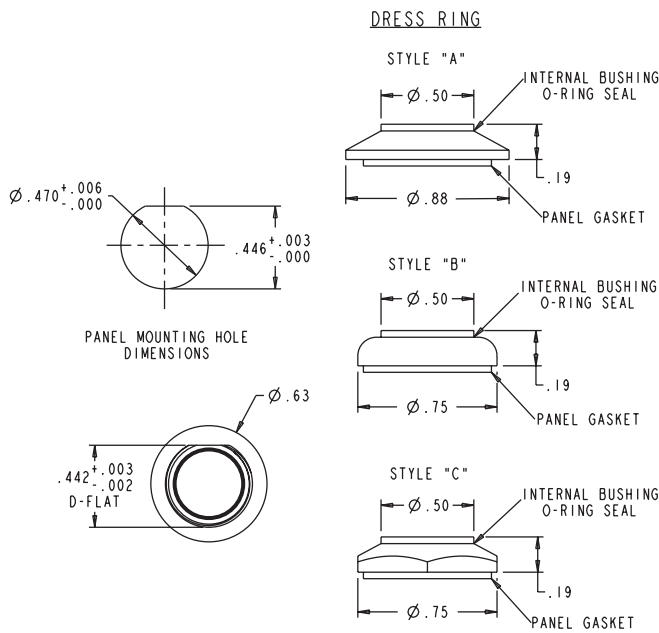


MOMENTARY ACTION

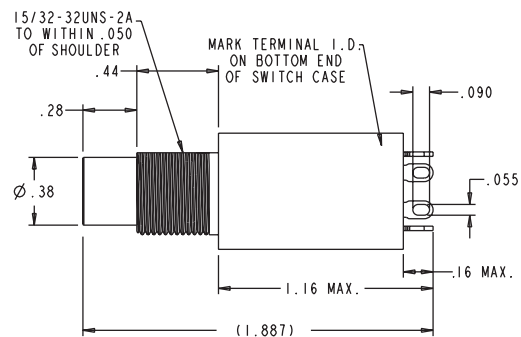
The PE2 with solder termination is qualified under MIL-PRF-8805/99. The PE2 is a rugged sealed switch; it meets high shock and vibration requirements and is ideal for tough environments. A variety of button colors and easy panel mounting options are provided. The PE2 is a momentary 2 circuit or DPDT, and has a 2A resistive 1.5A inductive 28VDC/115VAC rating. Splashproof with panel seal dress ring per MIL-PRF-8805, symbol 6.

Features:

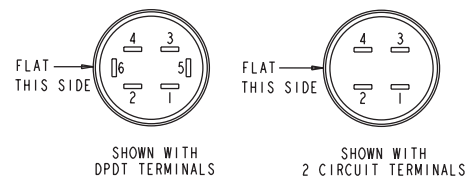
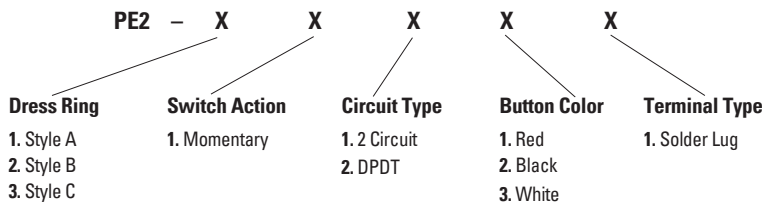
- MIL-PRF-8805/99 qualified
- Momentary snap-action
- Black, white or red button colors available
- Splashproof
- RoHS/WEEE/Reach compliant



Standard Characteristics/Ratings:		
ELECTRICAL RATINGS:		
Load	Sea Level @ 28VDC or 115VAC, 60/400Hz	70,000 feet @ 28VDC or 115VAC, 60/400Hz
Resistive	2A	2A
Inductive	1.5A	1.5A
Lamp	0.5A	0.5A
DWV	1000Vrms	500Vrms
Electrical Life:	25,000 cycles at full load	
Mechanical Life:	50,000 cycles	
Seal:	Splashproof with panel seal dress ring per MIL-PRF-8805, symbol 6	
Operating Temp Range:	-55°C to +85°C	
Operating Force:	4.5 lbs. +/- 1.5 lbs.	
Total Travel:	0.176 inches max	
MATERIALS:		
Case:	Anodized aluminum alloy, black	
Button:	Thermoplastic	
Terminals:	Brass, silver plate	
Mounting Hardware:	Hex nut, lockwasher, keying washer, dress ring with O-ring seal, panel gasket when applicable	



PE2 PART NUMBER CODE

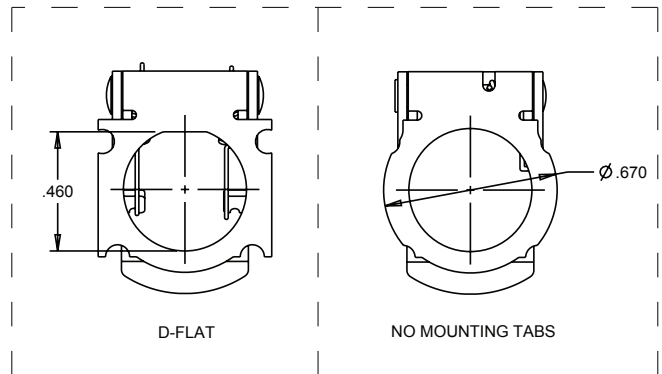
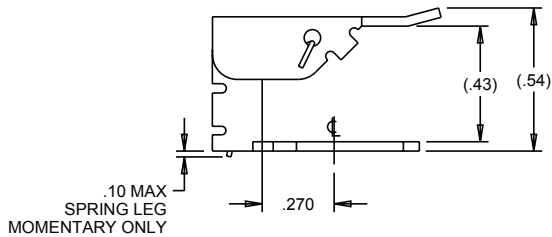
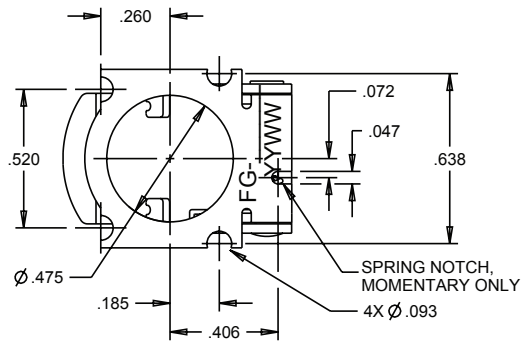
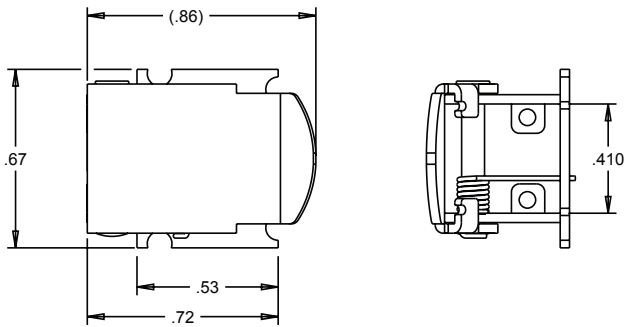


FLIP GUARD FOR PUSHBUTTONS

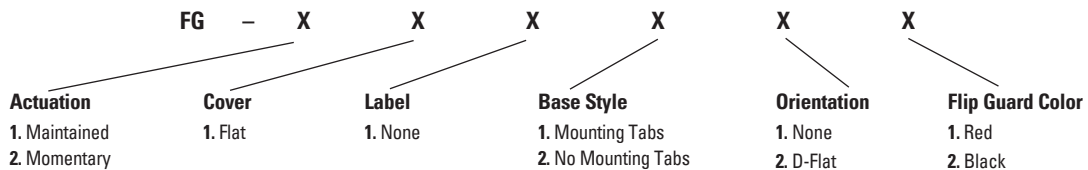
FG
FLIP GUARD

MAINTAINED OR MOMENTARY ACTION FLIP GUARD

The FG Flip Guard assembly offers a maintained or momentary actuation for pushbutton switches with a 15/32 threaded bushing. The FG flip guard's main feature is a spring-loaded cover that locks in either an open or closed position. In the open position the switch operates freely; in the closed position the switch is protected from accidental operation. The momentary open option prevents the guard from remaining in an open position, reducing the chance of accidental actuation. The flip guard is easily installed from the front panel and offers an optional D-flat or mounting tabs to prevent any rotation during assembly.



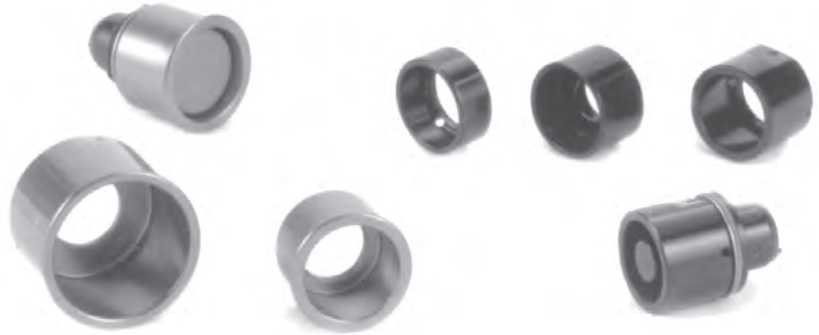
FG PART NUMBER CODE



SHROUDS, PANEL SEALS AND MOUNTING HARDWARE

Shrouds

Shrouds are added to pushbutton switches to guard against inadvertent actuation. The actuating device must be inserted into the shroud in order to actuate the switch. We have an assortment from which to choose shown here. We are also able to design and fabricate a shape to meet your specifications and application needs.

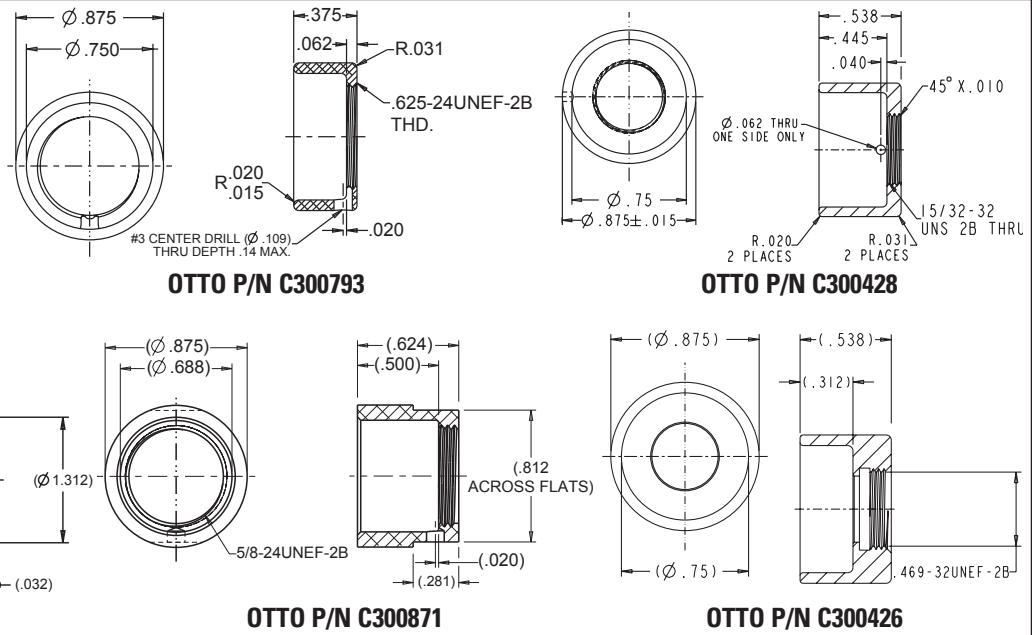


Material:

Aluminum alloy, machined to specification.

Finish:

Black anodized. For other color options, contact factory.

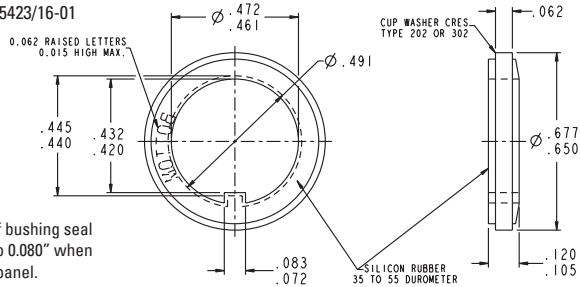


Panel Seals

Stainless steel cup washer with silicone rubber seal assures proper watertight panel seal. Mounts behind panel. Approved to MIL-DTL-5423/16. Designed for sealing 15/32" bushing with keyway.

OTTO P/N: C710196

MIL P/N: M5423/16-01



Thickness of bushing seal is reduced to 0.080" when mounted to panel.

Gaskets

OTTO P/N	I.D.
C700117	0.250"
C700110	0.469"
C700109	0.625"

O-Rings (Buna)

OTTO P/N	I.D.
C801568-010	0.250"
C802568-015	0.500"
C802568-016	0.625"

Mounting Hardware

MILITARY P/N

KEYWAY WASHERS

MS25081-C0	C710081-C0	0.250"
MS25081-C4	C710081-C4	0.469"
MS25081-C6	C710081-C6	0.625"

INTERNAL TOOTH LOCKWASHERS

MS35333-135	C710333-135	0.250"
MS35333-136	C710333-136	0.469"

HEX NUTS—STANDARD

MS25082-C14	C710082-C14	0.250-40
MS25082-C21	C710082-C21	0.469-32
MS25082-B11	C710082-B11	0.625-24

HEX NUTS—WIRE LOCKING

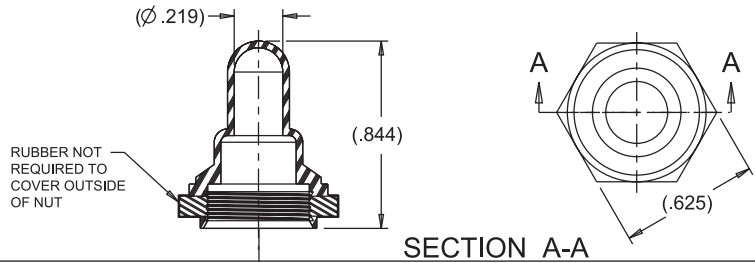
MS21340-04	C710340-04	0.469-32
MS21340-05	C710340-05	0.625-24

PUSHBUTTON BOOTS, TOGGLE BOOTS AND HEX NUTS

C740191

T9 Toggle Boot with 15/32" Thread

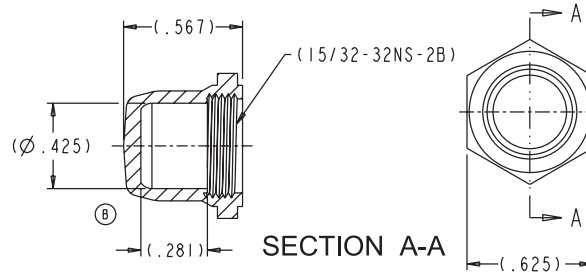
Boot: Black Silicone Rubber
Nut: Brass, Nickel Plated



C740144

P4-4 Switch Boot with Threaded Insert

Boot: Black Silicone Rubber
Insert: Brass, Nickel Plated



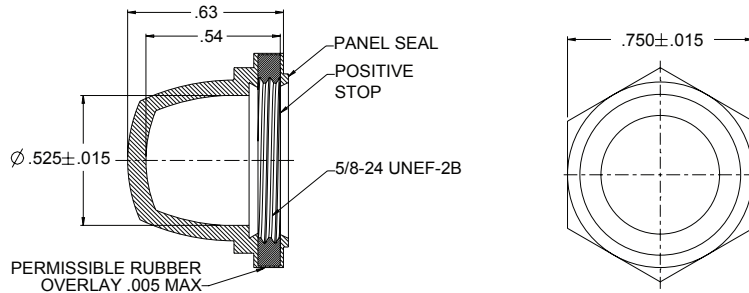
C700179

P3-6 Switch Boot

MIL-DTL-5423/7 Type B, Style 2, Size 4

Material: Silicone Rubber

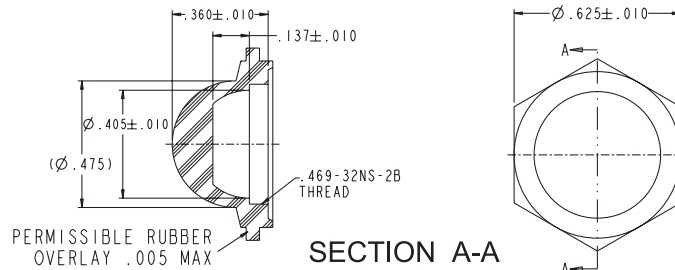
700179-2S = Black
700179-4S = Yellow
700179-8S = Gray



C701211

P7-6 Pushbutton Boot Hex Nut

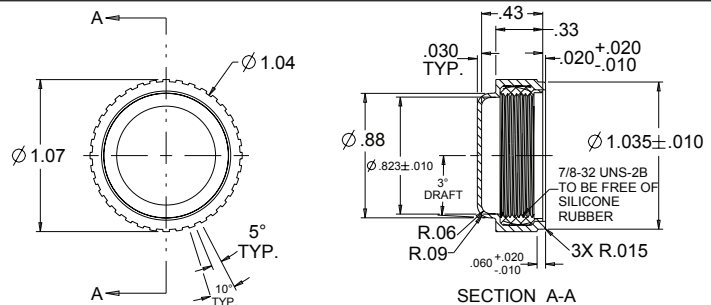
Material: Black Neoprene
Thread: 15/32"



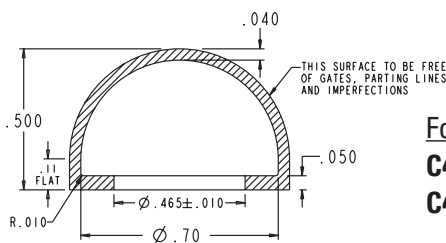
C913786

Boot with Hard Stop Feature
for Custom P3's and P8's that have
Switch Buttons less than .78" Diameter

Boot: Clear Silicone Rubber
Insert: Clear Anodized Aluminum Threaded

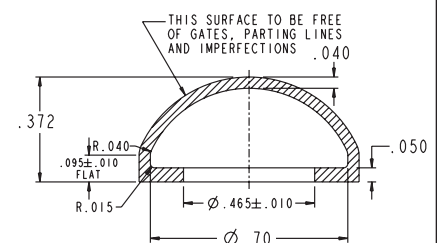


P7/P9 Sealing Boots



For Raised Dome
C402611-1 Clear
C402611-2 Black

For Flush Dome
C402599-1 Clear
C402599-2 Black



Rocker Switches



SERIES	FEATURE	MAX RATING (Resistive @ 28VDC)	SEAL RATING	APPROVALS	MOUNTING (Panel Opening)	CIRCUITRY
K1	Sealed, Illuminated Single Pole	16A	IP68S & IP69K	UL (1054), CSA (LR43865), DEMKO (97-01807), (UL1500), Ignition Protected, RoHS & WEEE Compliant	1.115" x 0.515"	SPST, SPDT
K2	Sealed, Illuminated Double Pole	16A	IP68S & IP69K	UL (1054), CSA (LR43865), DEMKO (97-01807), (UL1500), Ignition Protected, RoHS & WEEE Compliant	1.115" x 0.900"	SPST, SPDT DPST, DPDT
K3	Sealed, Illuminated	20A	IP68S & IP69K	RoHS & WEEE Compliant	1.750" x 0.915"	SPST, SPDT DPST, DPDT, SPST
K4	Snap-In Toggle, Sealed, Illuminated	16A	IP68S & IP69K	RoHS & WEEE Compliant	1.115" x 0.900"	SPST, SPDT DPST, DPDT
K5	Sealed, Illuminated	20A	IP68S & IP69K	RoHS & WEEE Compliant	1.475" x 0.875"	SPST, DPDT SPDT, DPDT, SPST

SEALED, ILLUMINATED ROCKER SWITCHES

K1/K2
SNAP-IN
ROCKERS

LOW COST, SNAP-IN ROCKER FOR WET & DUSTY ENVIRONMENTS

The K series rockers are rugged, high performance sealed switches designed for use under severe conditions found in marine, appliance, heavy equipment and industrial control applications.

The K1 and K2 series are sealed to IP68S and IP69K with an optional panel gasket available.

The K1 series is offered in single pole configuration and the K2 series is available in both single and double pole configurations. Both series offer illuminated models. Illumination can be independent or dependent of the switch position or a combination of both. A choice of red, green, clear or amber colored lenses are offered in illuminated models. Illumination options include incandescent, LED or neon light sources.

Mounting is simple and quick; snaps into panel from the front. The OTTO snap-in design supports a variety of panel thicknesses with just one cutout size.

A choice of models are offered to handle power levels to 16 amps, 1/2 HP and logic level electronic switching applications.

Custom colors are available upon request. Value-added assemblies with wire leads are also available. Please contact our factory for assistance.



Features:

- Sealed to IP68S and IP69K
- Fits industry standard panel openings for drop-in replacement of panel sealed & unsealed switches
- Snap-in feature accommodates a wide range of panel cutouts
- Switches up to 16 amps
- UV & solvent resistant
- Withstands extreme shock & vibration
- Custom legends available
- 2 & 3-position, momentary & maintained action
- Incandescent, LED & neon illumination with independent & dependent light source options
- UL recognized & CSA certified
- Ignition protected
- Optional panel gasket available
- RoHS/WEEE/Reach compliant

Standard Characteristics/Ratings:

ELECTRICAL RATINGS:

Load	Sea Level @ 28VDC or 125/250VAC, 60Hz	Cycles
Resistive	16A	25,000
Resistive	10A	50,000
Inductive	10A	25,000
Lamp	5A	25,000
Motor	0.5HP	25,000
DWV	1000Vrms except across light terminals	
Logic Level	10-100mA @ 3-28V, max D.C. logic level ratings (void if logic level load(s) exceeded at any time)	

Electrical Life: See Rating Chart

LIGHTING:

Light Source	Rating (see page 166 or appendix for complete voltage/current ratings table)
Incandescent	(VDC) 6V, 12V, 24V
Neon	(VAC) 125V, 250V
LED	(VDC) 2V, 6V, 12V, 24V

Mechanical Life: 100,000 cycles

Seal: IP68S and IP69K

Operating Temp Range: -30°C to +85°C

MATERIALS:

Case: Thermoplastic

Button: Thermoplastic

Base: Thermoplastic

Terminals/Contact: Brass, silver alloy with silver plate, gold flash for logic level

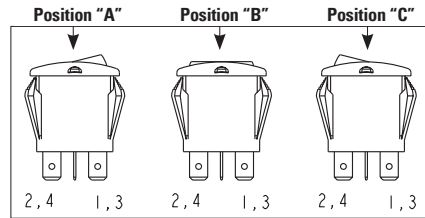
Terminal Hardware: Screws and lockwashers provided when applicable
K1/K2 series recommended Quick Connect terminals:
AMP 60253-2 for 12-16 AWG
AMP 42100-2 for 14-18 AWG

Mounting Hardware: None provided

LOW COST, SNAP-IN ROCKER FOR WET & DUSTY ENVIRONMENTS

K1 PART NUMBER CODE

<p>K1</p> <p>Terminal Style/ Switch Rating</p> <p>A. Q.C./Std. B. Screw/Std. C. Solder/Std. D. Q.C./Logic Level E. Screw/Logic Level F. Solder/Logic Level G. PC Pin/Std. H. PC Pin/Logic Level</p>	<p>Actuator Color/Style</p> <p>A. Red/Rocker B. Black/Rocker C. White/Rocker D. Red/Paddle E. Black/Paddle F. White/Paddle G. Red/Rocker Pinned H. Black/Rocker Pinned J. White/Rocker Pinned K. Red/Short Paddle Pinned L. Black/Short Paddle Pinned M. White/Short Paddle Pinned N. Red/Standard Paddle Pinned P. Black/Standard Paddle Pinned R. White/Standard Paddle Pinned T. Red/Short Paddle U. Black/Short Paddle V. White/Short Paddle</p>	<p>Switch Action/Circuit</p> <table border="1"> <thead> <tr> <th></th> <th>Position "A"</th> <th>Position "B"</th> <th>Position "C"</th> <th>Circuit</th> </tr> </thead> <tbody> <tr> <td>A.</td> <td>1-C</td> <td>NONE</td> <td>OFF</td> <td>SPST</td> </tr> <tr> <td>B.</td> <td>1-C</td> <td>NONE</td> <td>2-C</td> <td>SPDT</td> </tr> <tr> <td>C.</td> <td>(1-C)</td> <td>NONE</td> <td>OFF</td> <td>SPST</td> </tr> <tr> <td>D.</td> <td>(1-C)</td> <td>NONE</td> <td>2-C</td> <td>SPDT</td> </tr> <tr> <td>E.</td> <td>(1-C)</td> <td>OFF</td> <td>(2-C)</td> <td>SPDT</td> </tr> <tr> <td>F.</td> <td>1-C</td> <td>OFF</td> <td>2-C</td> <td>SPDT</td> </tr> <tr> <td>G.</td> <td>(1-C)</td> <td>OFF</td> <td>2-C</td> <td>SPDT</td> </tr> <tr> <td>H.</td> <td>OFF</td> <td>NONE</td> <td>2-C</td> <td>SPST</td> </tr> </tbody> </table> <p>NOTE: () denotes momentary action.</p>		Position "A"	Position "B"	Position "C"	Circuit	A.	1-C	NONE	OFF	SPST	B.	1-C	NONE	2-C	SPDT	C.	(1-C)	NONE	OFF	SPST	D.	(1-C)	NONE	2-C	SPDT	E.	(1-C)	OFF	(2-C)	SPDT	F.	1-C	OFF	2-C	SPDT	G.	(1-C)	OFF	2-C	SPDT	H.	OFF	NONE	2-C	SPST	<p>Light Type*</p> <p>A. No Light B. 6V Incandescent C. 12V Incandescent D. 24V Incandescent E. 125VAC Neon F. 250VAC Neon G. 2V Red LED H. 2V Green LED J. 2V Amber LED K. 6V Red LED L. 6V Green LED M. 6V Amber LED N. 12V Red LED P. 12V Green LED Q. 12V Amber LED R. 24V Red LED S. 24V Green LED T. 24V Amber LED</p>
	Position "A"	Position "B"	Position "C"	Circuit																																												
A.	1-C	NONE	OFF	SPST																																												
B.	1-C	NONE	2-C	SPDT																																												
C.	(1-C)	NONE	OFF	SPST																																												
D.	(1-C)	NONE	2-C	SPDT																																												
E.	(1-C)	OFF	(2-C)	SPDT																																												
F.	1-C	OFF	2-C	SPDT																																												
G.	(1-C)	OFF	2-C	SPDT																																												
H.	OFF	NONE	2-C	SPST																																												



*See page 168 or appendix for complete voltage/ratings table

K1 PART NUMBER CODE CONTINUED FROM ABOVE

<p>K1 Continued</p> <p>Lens Color</p> <table border="0"> <tr> <th>Position "A"</th> <th>Position "C"</th> </tr> <tr> <td>A. No Lens</td> <td>A. No Lens</td> </tr> <tr> <td>B. Red</td> <td>B. Red</td> </tr> <tr> <td>C. Green</td> <td>C. Green</td> </tr> <tr> <td>D. Amber</td> <td>D. Amber</td> </tr> <tr> <td>E. Clear</td> <td>E. Clear</td> </tr> </table>	Position "A"	Position "C"	A. No Lens	A. No Lens	B. Red	B. Red	C. Green	C. Green	D. Amber	D. Amber	E. Clear	E. Clear	<p>Light/Circuit Location</p> <p>A. No Light</p> <p>B. Dependent Light ON in position "A" Wired to terms 1 & 3</p> <p>C. Dependent Light ON in position "C" Wired to terms 2 & 4</p> <p>D. Independent Light at position "A" Wired to terms 3 & 4</p> <p>E. Independent Light at position "C" Wired to terms 3 & 4</p> <p>F. Dependent Light ON in position "A" Wired to terms 1 & 3</p> <p>G. Dependent Light ON in position "C" Wired to terms 2 & 4</p> <p>H. Independent Light ON in position "A" Wired to terms 1 & 3</p> <p>I. Independent Light ON in position "C" Wired to terms 2 & 4</p> <p>J. Independent Light ON in position "A" Wired to terms 1 & 3</p> <p>K. Independent Light ON in position "C" Wired to terms 2 & 4</p> <p>L. Independent Light ON in position "A" Wired to terms 1 & 3</p> <p>M. Independent Light ON in position "C" Wired to terms 2 & 4</p> <p>N. Independent Light ON in position "A" Wired to terms 1 & 3</p> <p>O. Independent Light ON in position "C" Wired to terms 2 & 4</p> <p>P. Independent Light ON in position "A" Wired to terms 1 & 3</p> <p>Q. Independent Light ON in position "C" Wired to terms 2 & 4</p>	<p>Legend & Orientation</p> <p>A. None</p> <p>B. Legend: ON (bold), OFF</p> <p>C. Legend: OFF (bold), ON</p> <p>D. Legend: ON (bold), OFF</p> <p>E. Legend: OFF (bold), ON</p> <p>F. Legend: ON (bold), OFF</p> <p>G. Legend: OFF (bold), ON</p> <p>H. Legend: ON (bold), OFF</p> <p>I. Legend: OFF (bold), ON</p> <p>J. Legend: ON (bold), OFF</p> <p>K. Legend: OFF (bold), ON</p> <p>L. Legend: ON (bold), OFF</p> <p>M. Legend: OFF (bold), ON</p> <p>N. Legend: ON (bold), OFF</p> <p>O. Legend: OFF (bold), ON</p> <p>P. Legend: ON (bold), OFF</p> <p>Q. Legend: OFF (bold), ON</p>
Position "A"	Position "C"													
A. No Lens	A. No Lens													
B. Red	B. Red													
C. Green	C. Green													
D. Amber	D. Amber													
E. Clear	E. Clear													

NOTES:

- No momentary switches with dependent lights.
- Neon lamps only to be coded with clear or amber lenses.
- LED lenses must be clear or same color as LED.
- No dependent light in OFF position.
- All legends printed on actuators without lens(es) will be white except actuator codes C, F, J, M & R.
- All legends printed on lenses will be white except on clear lens(es) will be black.

D = Dependent Light
I = Independent Light

NOTES:

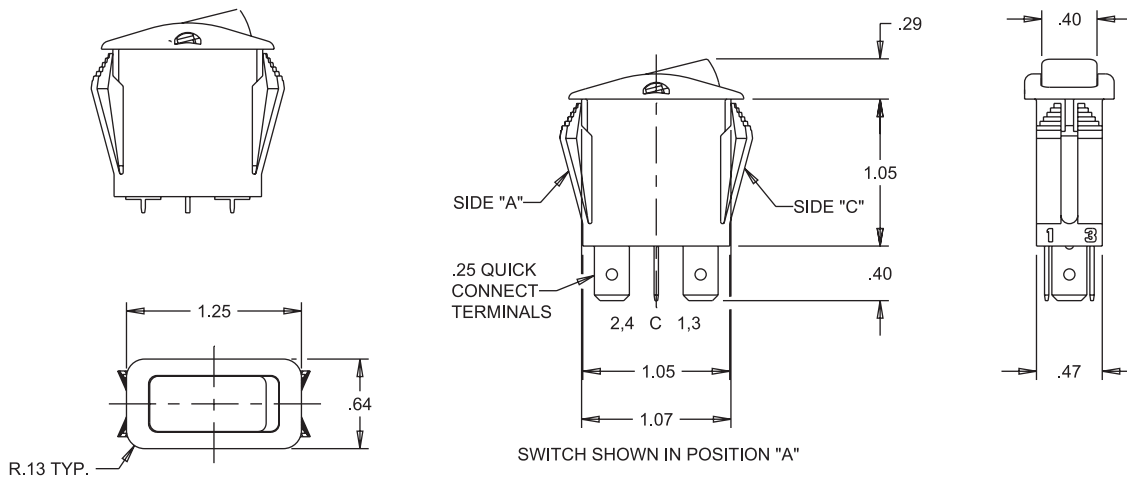
- LED anode (+) terminal number shown in **bold**.
- Light on OFF side must be independent.
- Contact factory for multiple light types in the same switch.

• K1 panel plugs available as shown on page 183.

SEALED, ILLUMINATED ROCKER SWITCHES

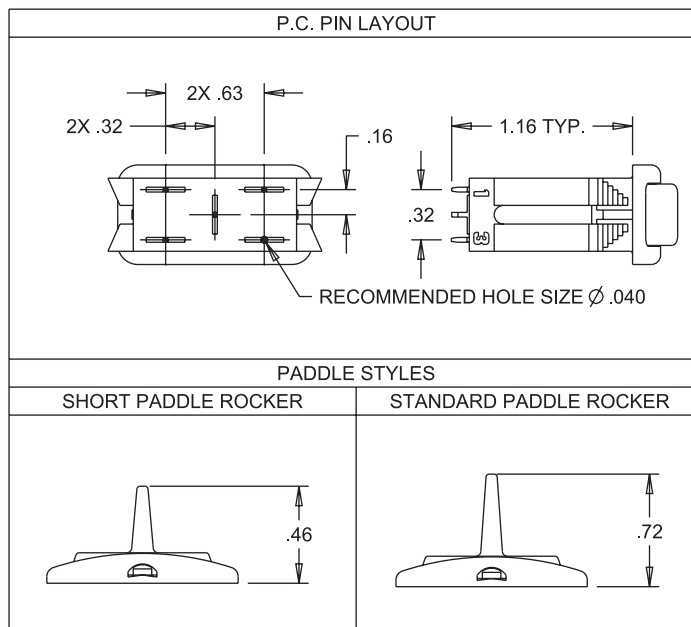
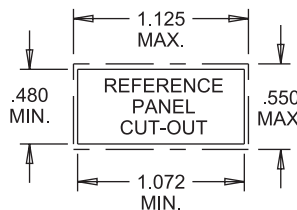
K1
SNAP-IN
ROCKERS

LOW COST, SNAP-IN ROCKER FOR WET & DUSTY ENVIRONMENTS



MOUNTING HOLE:
 PANEL THICKNESS RANGE OF .025 - .105 A GASKET IS RECOMMENDED,
 0.031" THICKNESS = GASKET P/N 807039-2
 0.062" THICKNESS = GASKET P/N 807039-1

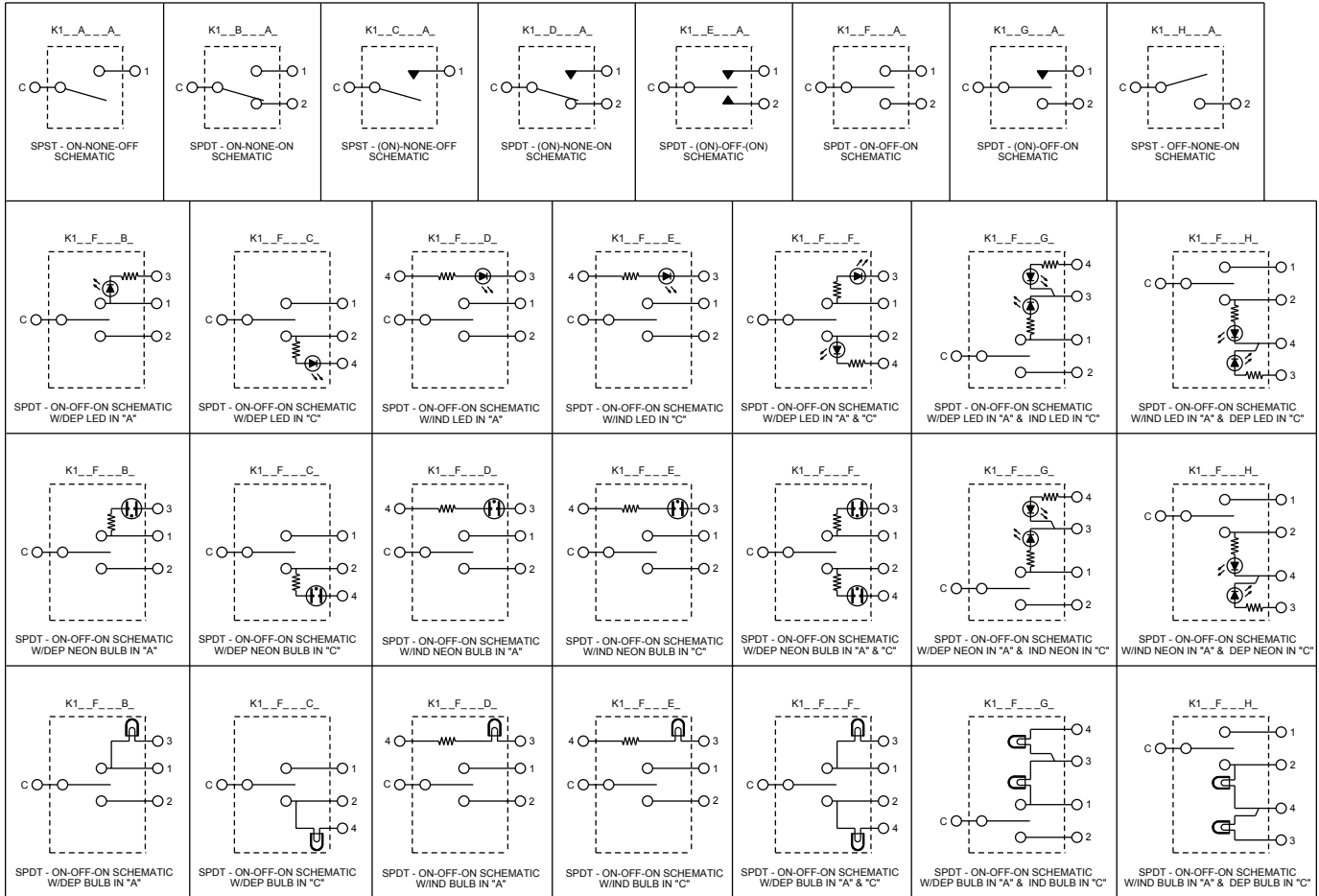
PANEL THICKNESS RANGE OF .105 - .187 W/O GASKET
 PANEL OPENING: MIN. TYP. MAX.
 WIDTH .480 .515 .550
 LENGTH 1.072 1.099 1.125



TERMINAL STYLES (.032 THICK)

SCREW	QUICK CONNECT	SOLDER	P.C. PIN

LOW COST, SNAP-IN ROCKER FOR WET & DUSTY ENVIRONMENTS



K1, K2, K3P and K4 LIGHTING VOLTAGE/CURRENT COMPONENTS RATINGS

LIGHT SOURCE VOLTAGE CATEGORY	LIGHT SOURCE COLOR	FORWARD CURRENT	TYPICAL FORWARD/NOMINAL VOLTAGE	MAX. FORWARD VOLTAGE
6 VDC INCANDESCENT	WHITE	.2 AMPS	6 VDC	8 VDC
12 VDC INCANDESCENT	WHITE	.08 AMPS	12 VDC	14 VDC
24 VDC INCANDESCENT	WHITE	.04 AMPS	24 VDC	28 VDC
125 VAC NEON	AMBER	1.9 mA	125 VAC	125 VAC
250 VAC NEON	AMBER	1.9 mA	250 VAC	250 VAC
2 V LED PRODUCTS*	RED	20 mA	1.9 VDC	2.5 VDC
	GREEN	20 mA	2.15 VDC	2.5 VDC
	AMBER	20 mA	1.95 VDC	2.5 VDC
6 V LED PRODUCTS	SEE CHART	20 mA	6 VDC	8 VDC
12 V LED PRODUCTS	SEE CHART	20 mA	12 VDC	14 VDC
24 V LED PRODUCTS	SEE CHART	20 mA	24 VDC	28 VDC

SEALED, ILLUMINATED ROCKER SWITCHES

K2
SNAP-IN
ROCKERS

LOW COST, SNAP-IN ROCKER FOR WET & DUSTY ENVIRONMENTS, 1 & 2 POLES

K2 PART NUMBER CODE

Part Number Code Continued Below

K2 X X

Terminal Style/ Switch Rating

- A. Quick Connect/ Standard
- B. Screw/Standard
- C. Solder/Standard
- D. Quick Connect/ Logic Level
- E. Screw/Logic Level
- F. Solder/Logic Level

Actuator Color/Style

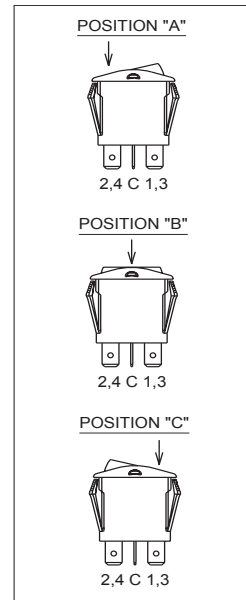
- A. Red Standard
- B. Black Standard
- C. White Standard
- D. Red Standard Paddle
- E. Black Standard Paddle
- F. White Standard Paddle
- G. Red Short Paddle Pinned
- H. Black Short Paddle Pinned
- J. White Short Paddle Pinned
- K. Red Standard Paddle Pinned
- L. Black Standard Paddle Pinned
- M. White Standard Paddle Pinned
- N. Red Standard Pinned
- P. Black Standard Pinned
- R. White Standard Pinned

NOTE: For custom colors, contact factory.

Switch Action/Circuit

	Position "A"	Position "B"	Position "C"	Circuit
A.	1-C1	NONE	OFF	SPST
B.	1-C1	NONE	2-C1	SPDT
C.	(1-C1)	NONE	OFF	SPST
D.	(1-C1)	NONE	2-C1	SPDT
E.	(1-C1)	OFF	(2-C1)	SPDT
F.	1-C1	OFF	2-C1	SPDT
G.	(1-C1)	OFF	2-C1	SPDT
H.	1-C1/3-C2	NONE	OFF	DPST
J.	1-C1/3-C2	NONE	2-C1/4-C2	DPDT
K.	(1-C1)/(3-C2)	NONE	OFF	DPST
L.	(1-C1)/(3-C2)	NONE	2-C1/4-C2	DPDT
M.	(1-C1)/(3-C2)	OFF	(2-C1)/(4-C2)	DPDT
N.	1-C1/3-C2	OFF	2-C1/4-C2	DPDT
P.	(1-C1)/(3-C2)	OFF	2-C1/4-C2	DPDT
Q.	1-C1	NONE	(2-C1)	SPDT
R.	OFF	NONE	(2-C1)	SPST
S.	1-C1/3-C2	NONE	(2-C1)/(4-C2)	DPDT
T.	OFF	NONE	(2-C1)/(4-C2)	DPST
U.	1-C1	OFF	(2-C1)	SPDT
V.	1-C1/3-C2	OFF	(2-C1)/(4-C2)	DPDT

NOTE: () denotes momentary action.



K2 PART NUMBER CODE - CONTINUED FROM ABOVE

X X X

Light Type*

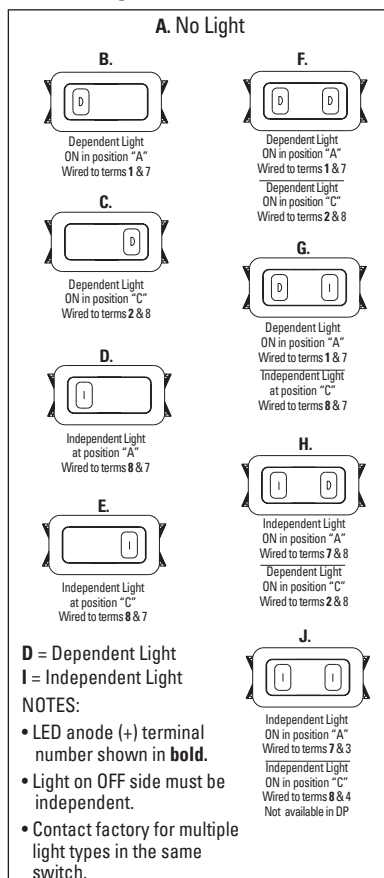
- A. No Light
- B. 6V Incandescent
- C. 12V Incandescent
- D. 24V Incandescent
- E. 125 VAC Neon
- F. 250 VAC Neon
- G. 2V Red LED
- H. 2V Green LED
- J. 2V Amber LED
- K. 6V Red LED
- L. 6V Green LED
- M. 6V Amber LED
- N. 12V Red LED
- P. 12V Green LED
- Q. 12V Amber LED
- R. 24V Red LED
- T. 24V Amber LED

Lens Color

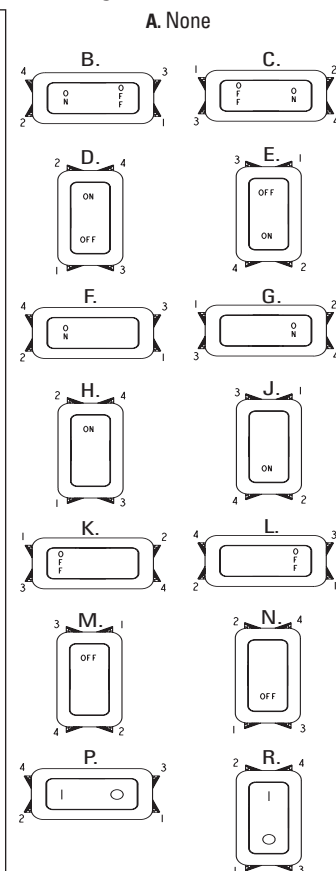
- | | |
|---------------------|---------------------|
| Position "A" | Position "C" |
| A. No Lens | A. No Lens |
| B. Red | B. Red |
| C. Green | C. Green |
| D. Amber | D. Amber |
| E. Clear | E. Clear |

*See page 168 or appendix for complete voltage/ratings table

Light/Circuit Location



Legend & Orientation



NOTES:

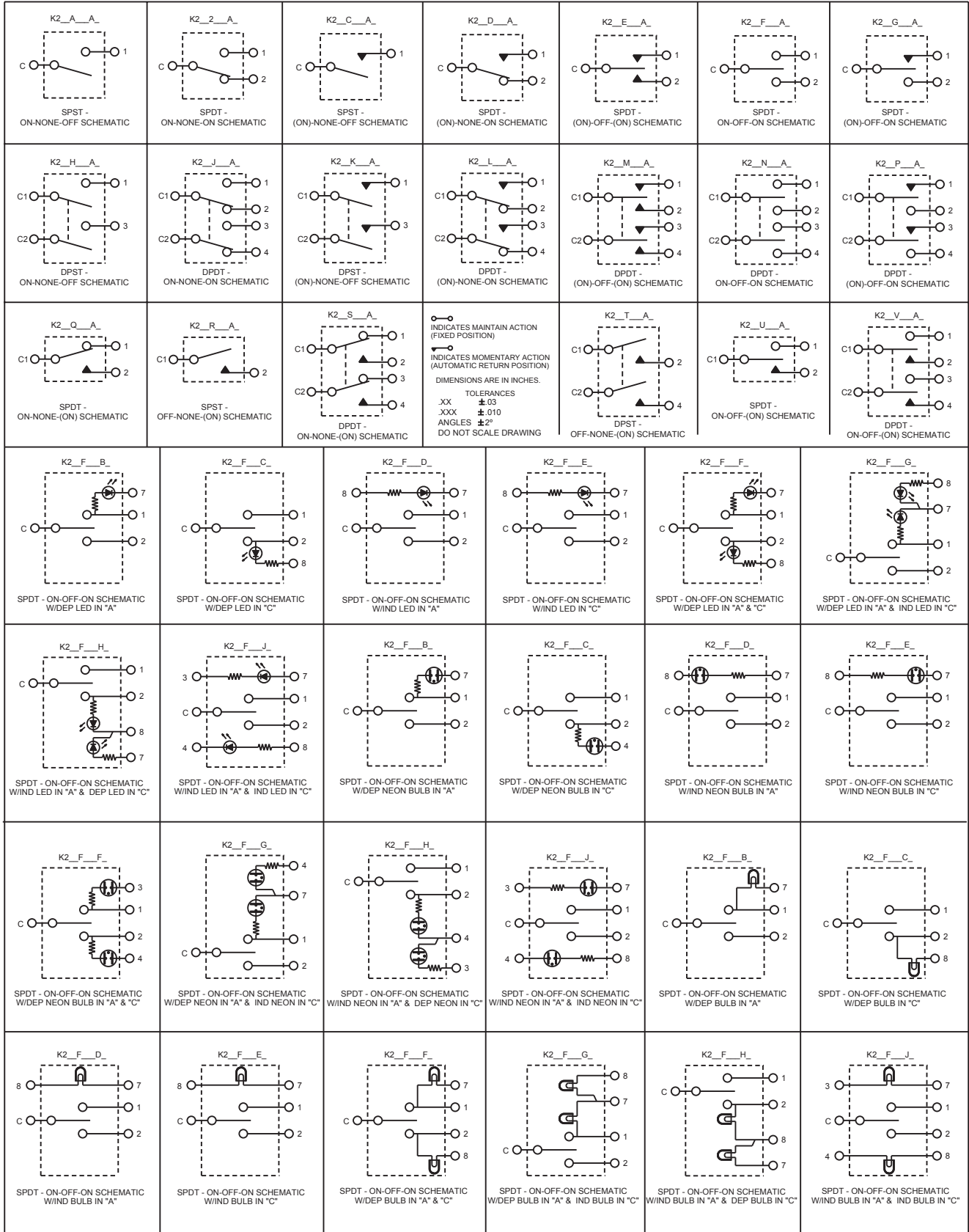
- No momentary switches with dependent lights.
- Neon lamps only to be coded with clear or amber lenses.
- LED lenses must be clear or same color as LED.
- **K2 connector P/N C801765.**
- Recommended Quick Connect Terminals:
AMP 60253-2 for 12-16 AWG wire with 0.160" -0.210" insulation OD
AMP 42100-2 for 14-18 AWG wire with 0.100" -0.170" insulation OD
- No dependent light in OFF position.
- All legends printed on actuators without lens(es) will be white except actuator codes C, F, J, M & R.
- All legends printed on lenses will be white except on clear lens(es) will be black.
- **K2 panel plugs available as shown on page 188.**

D = Dependent Light
I = Independent Light

NOTES:

- LED anode (+) terminal number shown in **bold**.
- Light on OFF side must be independent.
- Contact factory for multiple light types in the same switch.

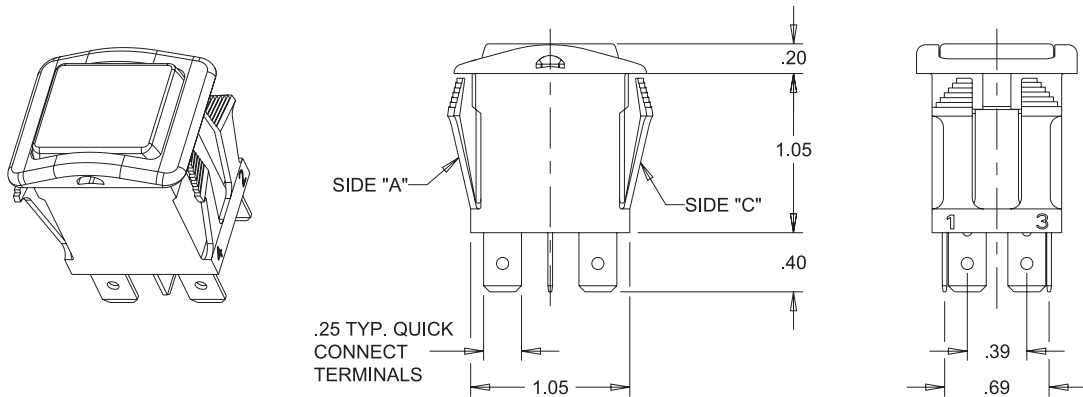
LOW COST, SNAP-IN ROCKER FOR WET & DUSTY ENVIRONMENTS, 1 & 2 POLES



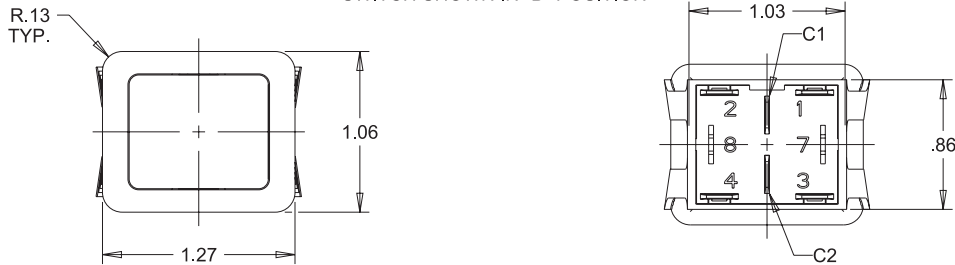
SEALED, ILLUMINATED ROCKER SWITCHES

K2
SNAP-IN
ROCKERS

LOW COST, SNAP-IN ROCKER FOR WET & DUSTY ENVIRONMENTS, 1 & 2 POLES

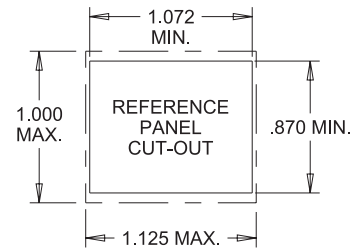


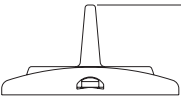
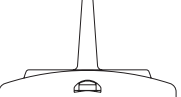
SWITCH SHOWN IN "B" POSITION

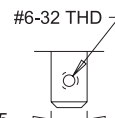
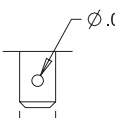
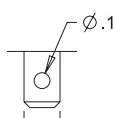


MOUNTING HOLE:
PANEL THICKNESS RANGE OF .025 - .105 A GASKET IS RECOMMENDED
0.031" THICKNESS = GASKET P/N 807038-2
0.062" THICKNESS = GASKET P/N 807038-1

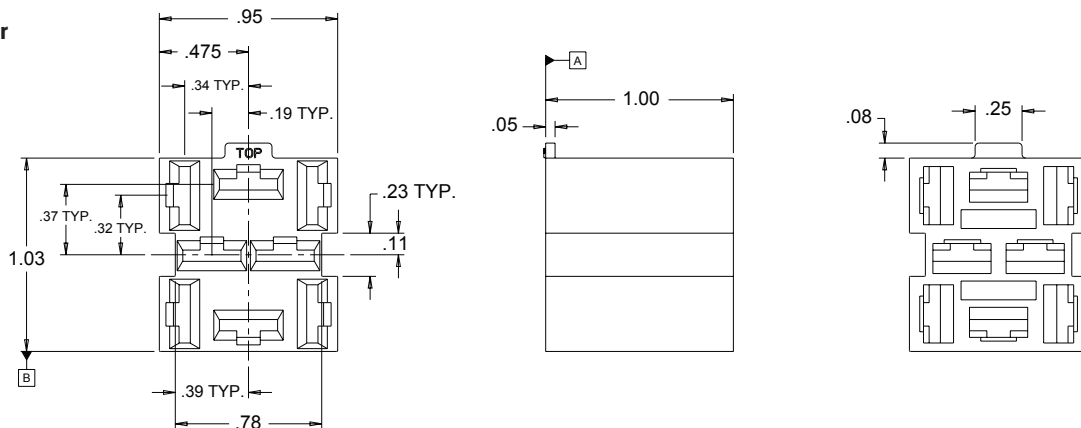
PANEL THICKNESS RANGE OF .105 - .187 W/O GASKET
PANEL OPENING: MIN. TYP. MAX.
WIDTH .870 .937 1.000
LENGTH 1.072 1.099 1.125



PADDLE STYLES	
SHORT PADDLE ROCKER	STANDARD PADDLE ROCKER
	
.46	.72

TERMINAL STYLES (.032 THICK)		
SCREW	QUICK CONNECT	SOLDER
		
#6-32 THD	Ø .08	Ø .11
.25	.25	.25

K2 Connector
P/N C801765



ATTRACTIVE & RUGGED FOR WET & DUSTY ENVIRONMENTS

Sealed to IP68S and IP69K, the OTTO K3 rocker switch is a quality, precision switch designed to comply with standards established for appliance, marine (ignition protection) and off-road vehicles along with other demanding applications where rugged rocker switches are required.

K3 sealed rocker switches snap into industry-standard panel cutouts. Choose illuminated and printed legends, thru-panel drain option and switching compatibility from logic level to 20 amps.

The K3 offers a choice of LED, incandescent and neon illumination. Legends can be stamped onto a non-illuminated button, stamped onto an illuminated lens or laser etched into the lens and backlit.

Available in standard and logic level contact ratings, the K3 rockers will fit a wide range of applications. Expect a minimum of 25,000 cycles at a full rated load of 20 amps resistive or 15 amps inductive. 100,000 cycles mechanical. A full complement of switch operation is available including momentary and maintained action in 2 or 3-position switches in SPST, SPDT, SPTT, DPST and DPDT circuit arrangements.

OTTO can provide custom colors upon request. Value-added assemblies with wire leads are also available. Please consult the factory for assistance.

Features:

- Sealed watertight per IP68S and IP69K
- Snap-in panel mounting into industry standard panel cutout
- Optional panel seal gasket
- Thru-panel drain option
- LED, neon & incandescent lighting
- 0.250" Quick Connect terminals
- Optional one-piece connector
- Optional terminal barriers
- Low level up to 20 amp switch
- Configurable Single Pole Triple Throw (SPTT) with external jumpers
- RoHS/WEEE/Reach compliant



Standard Characteristics/Ratings:		
ELECTRICAL RATINGS:		
Load	Sea Level @ 12/28VDC	Sea Level @ 125VAC, 60Hz
Resistive	20A	16A
Inductive	15A	15A
Lamp	5A	5A
Motor	0.5HP @ 110VAC	
DVVV	1050Vrms except across light terminals	
Logic Level	10-100mA @ 3-28V, max D.C. logic level ratings (void if logic level load(s) exceeded at any time)	
Electrical Life:	25,000 cycles	
LIGHTING:		
Light Source	Rating (see appendix for complete voltage/current ratings table)	
Incandescent	(VDC) 6V, 12V, 24V	
Neon	(VAC) 125V, 250V	
LED	(VDC) 2V, 6V, 12V, 24V	
Mechanical Life:	100,000 cycles	
Seal:	IP68S and IP69K	
Operating Temp Range:	-40°C to +85°C	
MATERIALS:		
Case:	Thermoplastic, black	
Button:	Thermoplastic	
Terminals/Contact:	Brass, silver alloy with silver plate, gold flash for logic level	
Terminal Hardware:	K3 series recommended Quick Connect terminals: AMP 60253-2 for 12-16 AWG AMP 42100-2 for 14-18 AWG	
Mounting Hardware:	None provided	

SEALED, ILLUMINATED ROCKER SWITCHES

K3
SEALED
ROCKERS

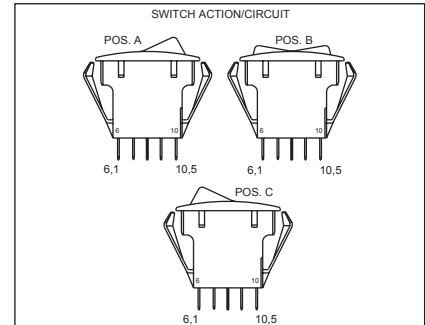
K3 SERIES PART NUMBER CODE

Part Number Code Continued Below

K3	X	X	XX	X	X																																																																																				
Base Options	Case Style/Button Color	Switch Action/Circuit	Light Source Type*	Light Circuit																																																																																					
A. With Keying Pin Only Standard Rating Silver Plate B. Without Barriers or Pin Standard Rating Silver Plate C. With Terminal Barriers Only Standard Rating Silver Plate D. With Keying Pin Only Logic Level Rating Gold Plate E. Without Barriers or Pin Logic Level Rating Gold Plate F. With Terminal Barriers Only Logic Level Rating Gold Plate G. With Keying Pin Only Standard Rating No Plate H. Without Barriers or Pin Standard Rating No Plate J. With Terminal Barriers Only Standard Rating No Plate	A. Case With Drain Holes Button Color: Black B. Case Without Drain Holes Button Color: Black C. Case With Drain Holes Button Color: Red D. Case Without Drain Holes Button Color: Red E. Case With Drain Holes Button Color: White F. Case Without Drain Holes Button Color: White NOTE: Switch case is black for all options below: 1. Case With Drain Holes Button Not Included 2. Case Without Drain Holes Button Not Included	<table border="0"> <tr> <td>Position "A"</td> <td>Position "B"</td> <td>Position "C"</td> <td>Circuit</td> </tr> <tr> <td>1A. 3-4</td> <td>NONE</td> <td>OFF</td> <td>SPST</td> </tr> <tr> <td>2A. 3-4/8-9</td> <td>NONE</td> <td>OFF</td> <td>DPST</td> </tr> <tr> <td>1B. 3-4</td> <td>NONE</td> <td>3-2</td> <td>SPDT</td> </tr> <tr> <td>2B. 3-4/8-9</td> <td>NONE</td> <td>3-2/8-7</td> <td>DPDT</td> </tr> <tr> <td>1C. (3-4)</td> <td>NONE</td> <td>OFF</td> <td>SPST</td> </tr> <tr> <td>2C. (3-4)/(8-9)</td> <td>NONE</td> <td>OFF</td> <td>DPST</td> </tr> <tr> <td>1D. (3-4)</td> <td>NONE</td> <td>3-2</td> <td>SPDT</td> </tr> <tr> <td>2D. (3-4)/(8-9)</td> <td>NONE</td> <td>3-2/8-7</td> <td>DPDT</td> </tr> <tr> <td>1E. (3-4)</td> <td>OFF</td> <td>(3-2)</td> <td>SPDT</td> </tr> <tr> <td>2E. (3-4)/(8-9)</td> <td>OFF</td> <td>(3-2)/(8-7)</td> <td>DPDT</td> </tr> <tr> <td>1F. 3-4</td> <td>OFF</td> <td>3-2</td> <td>SPDT</td> </tr> <tr> <td>2F. 3-4/8-9</td> <td>OFF</td> <td>3-2/8-7</td> <td>DPDT</td> </tr> <tr> <td>1G. (3-4)</td> <td>OFF</td> <td>3-2</td> <td>SPDT</td> </tr> <tr> <td>2G. (3-4)/(8-9)</td> <td>OFF</td> <td>3-2/8-7</td> <td>DPDT</td> </tr> </table>	Position "A"	Position "B"	Position "C"	Circuit	1A. 3-4	NONE	OFF	SPST	2A. 3-4/8-9	NONE	OFF	DPST	1B. 3-4	NONE	3-2	SPDT	2B. 3-4/8-9	NONE	3-2/8-7	DPDT	1C. (3-4)	NONE	OFF	SPST	2C. (3-4)/(8-9)	NONE	OFF	DPST	1D. (3-4)	NONE	3-2	SPDT	2D. (3-4)/(8-9)	NONE	3-2/8-7	DPDT	1E. (3-4)	OFF	(3-2)	SPDT	2E. (3-4)/(8-9)	OFF	(3-2)/(8-7)	DPDT	1F. 3-4	OFF	3-2	SPDT	2F. 3-4/8-9	OFF	3-2/8-7	DPDT	1G. (3-4)	OFF	3-2	SPDT	2G. (3-4)/(8-9)	OFF	3-2/8-7	DPDT	A. No Illumination B. 6V Incandescent C. 12V Incandescent D. 24V Incandescent E. 125VAC Neon F. 250VAC Neon G. 2V Red LED H. 2V Green LED J. 2V Amber LED K. 6V Red LED L. 6V Green LED M. 6V Amber LED N. 12V Red LED P. 12V Green LED Q. 12V Amber LED R. 24V Red LED S. 24V Green LED T. 24V Amber LED	<table border="0"> <tr> <td>Circuit</td> <td>Terminal Connections</td> </tr> <tr> <td>A. None</td> <td>None</td> </tr> <tr> <td>B. Dep. in "A"</td> <td>1(-) & 4(+)</td> </tr> <tr> <td>C. Dep. in "C"</td> <td>2(+) & 5(-)</td> </tr> <tr> <td>D. Ind. in "A"</td> <td>1(-) & 6(+)</td> </tr> <tr> <td>E. Ind. in "C"</td> <td>5(-) & 10(+)</td> </tr> <tr> <td>F. Dep. in "A"</td> <td>1(-) & 4(+)</td> </tr> <tr> <td>G. Dep. in "C"</td> <td>2(+) & 5(-)</td> </tr> <tr> <td>H. Ind. in "A"</td> <td>1(-) & 6(+)</td> </tr> <tr> <td>I. Ind. in "C"</td> <td>5(-) & 10(+)</td> </tr> <tr> <td>J. Ind. in "A"</td> <td>1(-) & 6(+)</td> </tr> <tr> <td>K. Ind. in "C"</td> <td>5(-) & 10(+)</td> </tr> </table>		Circuit	Terminal Connections	A. None	None	B. Dep. in "A"	1(-) & 4(+)	C. Dep. in "C"	2(+) & 5(-)	D. Ind. in "A"	1(-) & 6(+)	E. Ind. in "C"	5(-) & 10(+)	F. Dep. in "A"	1(-) & 4(+)	G. Dep. in "C"	2(+) & 5(-)	H. Ind. in "A"	1(-) & 6(+)	I. Ind. in "C"	5(-) & 10(+)	J. Ind. in "A"	1(-) & 6(+)	K. Ind. in "C"	5(-) & 10(+)
Position "A"	Position "B"	Position "C"	Circuit																																																																																						
1A. 3-4	NONE	OFF	SPST																																																																																						
2A. 3-4/8-9	NONE	OFF	DPST																																																																																						
1B. 3-4	NONE	3-2	SPDT																																																																																						
2B. 3-4/8-9	NONE	3-2/8-7	DPDT																																																																																						
1C. (3-4)	NONE	OFF	SPST																																																																																						
2C. (3-4)/(8-9)	NONE	OFF	DPST																																																																																						
1D. (3-4)	NONE	3-2	SPDT																																																																																						
2D. (3-4)/(8-9)	NONE	3-2/8-7	DPDT																																																																																						
1E. (3-4)	OFF	(3-2)	SPDT																																																																																						
2E. (3-4)/(8-9)	OFF	(3-2)/(8-7)	DPDT																																																																																						
1F. 3-4	OFF	3-2	SPDT																																																																																						
2F. 3-4/8-9	OFF	3-2/8-7	DPDT																																																																																						
1G. (3-4)	OFF	3-2	SPDT																																																																																						
2G. (3-4)/(8-9)	OFF	3-2/8-7	DPDT																																																																																						
Circuit	Terminal Connections																																																																																								
A. None	None																																																																																								
B. Dep. in "A"	1(-) & 4(+)																																																																																								
C. Dep. in "C"	2(+) & 5(-)																																																																																								
D. Ind. in "A"	1(-) & 6(+)																																																																																								
E. Ind. in "C"	5(-) & 10(+)																																																																																								
F. Dep. in "A"	1(-) & 4(+)																																																																																								
G. Dep. in "C"	2(+) & 5(-)																																																																																								
H. Ind. in "A"	1(-) & 6(+)																																																																																								
I. Ind. in "C"	5(-) & 10(+)																																																																																								
J. Ind. in "A"	1(-) & 6(+)																																																																																								
K. Ind. in "C"	5(-) & 10(+)																																																																																								
			Special Circuits																																																																																						
			<table border="0"> <tr> <td>Position "A"</td> <td>Position "B"</td> <td>Position "C"</td> <td>Special Circuits</td> </tr> <tr> <td>1H. 3-4/8-9</td> <td>8-9</td> <td>OFF</td> <td>ON/ON/OFF</td> </tr> <tr> <td>1J. 3-4/8-9</td> <td>8-9</td> <td>NONE</td> <td>ON/ON/NONE</td> </tr> <tr> <td>1K. (3-4)/(8-9)</td> <td>8-9</td> <td>OFF</td> <td>(ON)/ON/OFF</td> </tr> <tr> <td>1L. (3-4)/(8-9)</td> <td>8-9</td> <td>NONE</td> <td>(ON)/ON/NONE</td> </tr> <tr> <td>1M. 3-4/8-9</td> <td>3-2/8-9</td> <td>3-2/8-7</td> <td>ON/ON/ON</td> </tr> <tr> <td>1N. (3-4)/(8-9)</td> <td>3-2/8-9</td> <td>3-2/8-7</td> <td>(ON)/ON/ON</td> </tr> <tr> <td>1P. (3-4)/(8-9)</td> <td>3-2/8-9</td> <td>(3-2)/(8-7)</td> <td>(ON)/ON/(ON)</td> </tr> <tr> <td>2R. 3-4/8-9</td> <td>OFF/8-9</td> <td>OFF/OFF</td> <td>ON/OFF/OFF</td> </tr> <tr> <td></td> <td></td> <td></td> <td>ON/ON/OFF</td> </tr> <tr> <td>2S. (3-4)/8-9</td> <td>OFF/8-9</td> <td>OFF/OFF</td> <td>(ON)/OFF/OFF</td> </tr> <tr> <td></td> <td></td> <td></td> <td>ON/ON/OFF</td> </tr> </table>	Position "A"	Position "B"	Position "C"	Special Circuits	1H. 3-4/8-9	8-9	OFF	ON/ON/OFF	1J. 3-4/8-9	8-9	NONE	ON/ON/NONE	1K. (3-4)/(8-9)	8-9	OFF	(ON)/ON/OFF	1L. (3-4)/(8-9)	8-9	NONE	(ON)/ON/NONE	1M. 3-4/8-9	3-2/8-9	3-2/8-7	ON/ON/ON	1N. (3-4)/(8-9)	3-2/8-9	3-2/8-7	(ON)/ON/ON	1P. (3-4)/(8-9)	3-2/8-9	(3-2)/(8-7)	(ON)/ON/(ON)	2R. 3-4/8-9	OFF/8-9	OFF/OFF	ON/OFF/OFF				ON/ON/OFF	2S. (3-4)/8-9	OFF/8-9	OFF/OFF	(ON)/OFF/OFF				ON/ON/OFF																																						
Position "A"	Position "B"	Position "C"	Special Circuits																																																																																						
1H. 3-4/8-9	8-9	OFF	ON/ON/OFF																																																																																						
1J. 3-4/8-9	8-9	NONE	ON/ON/NONE																																																																																						
1K. (3-4)/(8-9)	8-9	OFF	(ON)/ON/OFF																																																																																						
1L. (3-4)/(8-9)	8-9	NONE	(ON)/ON/NONE																																																																																						
1M. 3-4/8-9	3-2/8-9	3-2/8-7	ON/ON/ON																																																																																						
1N. (3-4)/(8-9)	3-2/8-9	3-2/8-7	(ON)/ON/ON																																																																																						
1P. (3-4)/(8-9)	3-2/8-9	(3-2)/(8-7)	(ON)/ON/(ON)																																																																																						
2R. 3-4/8-9	OFF/8-9	OFF/OFF	ON/OFF/OFF																																																																																						
			ON/ON/OFF																																																																																						
2S. (3-4)/8-9	OFF/8-9	OFF/OFF	(ON)/OFF/OFF																																																																																						
			ON/ON/OFF																																																																																						

*See appendix for complete voltage/current ratings table.

NOTE: () denotes momentary action.



K3 PART NUMBER CODE - CONTINUED FROM ABOVE

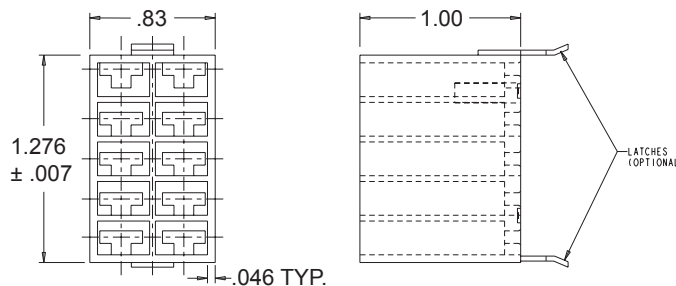
X	X	XX	XX	X	X	X																																										
Lens Color	Legend Style	Legend Color	Legend Orientation																																													
<table border="0"> <tr> <td>Position "A"</td> <td>Position "C"</td> </tr> <tr> <td>1. Transparent Red</td> <td>1. Transparent Red</td> </tr> <tr> <td>2. Transparent Green</td> <td>2. Transparent Green</td> </tr> <tr> <td>3. Transparent Amber ①</td> <td>3. Transparent Amber ①</td> </tr> <tr> <td>4. Clear ①</td> <td>4. Clear ①</td> </tr> <tr> <td>5. Translucent White ②</td> <td>5. Translucent White ②</td> </tr> <tr> <td>Z. No Lens ③</td> <td>Z. No Lens ③</td> </tr> </table>	Position "A"	Position "C"	1. Transparent Red	1. Transparent Red	2. Transparent Green	2. Transparent Green	3. Transparent Amber ①	3. Transparent Amber ①	4. Clear ①	4. Clear ①	5. Translucent White ②	5. Translucent White ②	Z. No Lens ③	Z. No Lens ③	<table border="0"> <tr> <td>Position "A"</td> <td>Position "C"</td> </tr> <tr> <td>ZZ. No Legend</td> <td>ZZ. No Legend</td> </tr> </table>	Position "A"	Position "C"	ZZ. No Legend	ZZ. No Legend	<table border="0"> <tr> <td>Position "A"</td> <td>Position "C"</td> </tr> <tr> <td>1. Red</td> <td>1. Red</td> </tr> <tr> <td>2. Black</td> <td>2. Black</td> </tr> <tr> <td>9. White</td> <td>9. White</td> </tr> <tr> <td>B. Backlight/Daylight White ④</td> <td>B. Backlight/Daylight White ④</td> </tr> <tr> <td>D. Backlight/Deadfront ④</td> <td>D. Backlight/Deadfront ④</td> </tr> <tr> <td>Z. No Legend</td> <td>Z. No Legend</td> </tr> </table>	Position "A"	Position "C"	1. Red	1. Red	2. Black	2. Black	9. White	9. White	B. Backlight/Daylight White ④	B. Backlight/Daylight White ④	D. Backlight/Deadfront ④	D. Backlight/Deadfront ④	Z. No Legend	Z. No Legend	<table border="0"> <tr> <td>Position "A"</td> <td>Position "C"</td> </tr> <tr> <td>1. Std.</td> <td>1. Std.</td> </tr> <tr> <td>2. 90°</td> <td>2. 90°</td> </tr> <tr> <td>3. 180°</td> <td>3. 180°</td> </tr> <tr> <td>4. 270°</td> <td>4. 270°</td> </tr> </table>		Position "A"	Position "C"	1. Std.	1. Std.	2. 90°	2. 90°	3. 180°	3. 180°	4. 270°	4. 270°		
Position "A"	Position "C"																																															
1. Transparent Red	1. Transparent Red																																															
2. Transparent Green	2. Transparent Green																																															
3. Transparent Amber ①	3. Transparent Amber ①																																															
4. Clear ①	4. Clear ①																																															
5. Translucent White ②	5. Translucent White ②																																															
Z. No Lens ③	Z. No Lens ③																																															
Position "A"	Position "C"																																															
ZZ. No Legend	ZZ. No Legend																																															
Position "A"	Position "C"																																															
1. Red	1. Red																																															
2. Black	2. Black																																															
9. White	9. White																																															
B. Backlight/Daylight White ④	B. Backlight/Daylight White ④																																															
D. Backlight/Deadfront ④	D. Backlight/Deadfront ④																																															
Z. No Legend	Z. No Legend																																															
Position "A"	Position "C"																																															
1. Std.	1. Std.																																															
2. 90°	2. 90°																																															
3. 180°	3. 180°																																															
4. 270°	4. 270°																																															
<p>NOTE: It is not recommended to use green LEDs with translucent white lenses. This will reduce light intensity. Use clear lenses with green LEDs for maximum light intensity.</p> <p>① Recommended for neon lamps. ② Special Order: Ultra bright green LED to be used with translucent white lenses. ③ Legend colors "B" & "D" are only available on lens color "Z".</p>	<p>NOTE: For all other legend options, refer to the legend table on page 183 or in the appendix, find the two digit code and enter the code in the appropriate position(s).</p>	<p>④ For legend color "B" and "D", please use button color "A" & "B" and lens color "Z" for each position.</p>																																														

STOP HERE for lighted switches without legends.

Example: K3AAIFNH-44

STOP HERE for unlighted switches without legends.

Example: K3AAIFAA



K3 Connector
P/N 801775-2A Without Latches
P/N 801775-2B With Latches

Panel Seal Gasket
P/N 807037

Order separately for use with switches without drain holes.

Panel Plug

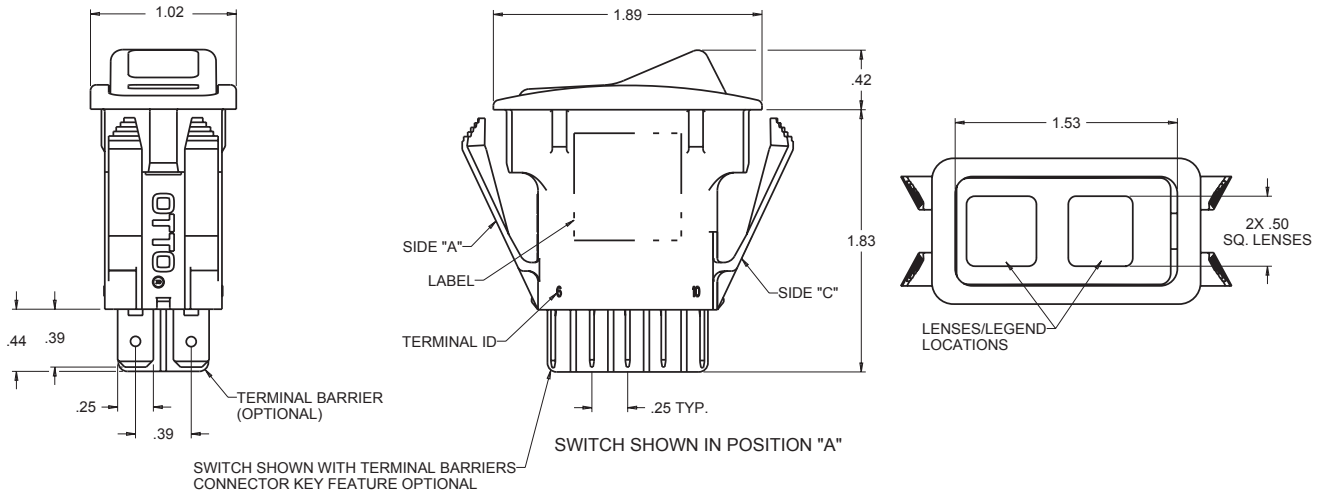
See Panel Plug (PP) page 188.

• K3 panel plugs available as shown on page 188.

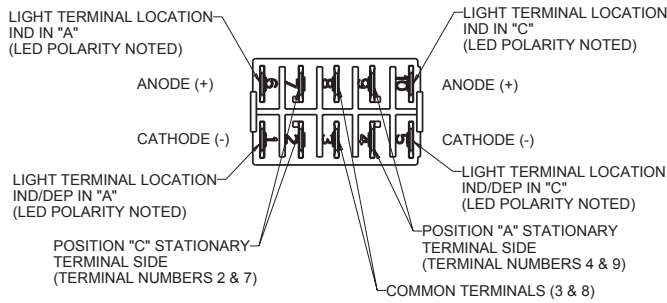
Recommended Quick Connect Terminals:
AMP 60253-2 for 12-16 AWG
AMP 42100-2 for 14-18 AWG

SEALED, ILLUMINATED ROCKER SWITCHES

SNAP-IN PANEL MOUNTING, ATTRACTIVE & RUGGED FOR WET & DUSTY ENVIRONMENTS

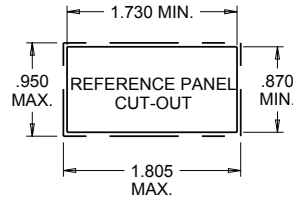


SWITCH SHOWN WITH TERMINAL BARRIERS-CONNECTOR KEY FEATURE OPTIONAL



TERMINAL LOCATIONS AS VIEWED FROM BOTTOM OF SWITCH (CASE REMOVED FOR CLARITY) CONTACT MADE IN OPPOSITE DIRECTION OF ROCKER TRAVEL

MOUNTING OPENING:
 PANEL THICKNESS RANGE OF .025 - .105 A GASKET IS RECOMMENDED
 PANEL THICKNESS RANGE OF .105 - .187 W/O GASKET
 PANEL OPENING: MIN. TYP. MAX.
 WIDTH .870 .937 .950
 LENGTH 1.730 1.768 1.805



<p>SPECIAL CIRCUIT - ON-ON-ON SCHEMATIC</p>	<p>DPST-ON-NONE-OFF SCHEMATIC</p>	<p>DPDT-ON-NONE-ON SCHEMATIC</p>	<p>DPST-(ON)-NONE-OFF SCHEMATIC</p>	<p>DPDT-(ON)-NONE-ON SCHEMATIC</p>
<p>GENERAL SCHEMATIC INFORMATION</p> <p>○ INDICATES MAINTAIN ACTION (FIXED POSITION) ▼ INDICATES MOMENTARY ACTION (AUTOMATIC RETURN POSITION)</p> <p>FOR OTHER LIGHTING SCHEMATICS REPLACE FOLLOWING SYMBOLS:</p> <p>Ⓜ INCANDESCENT (REPLACE RESISTOR & LED) ⊕ NEON (REPLACE LED)</p>	<p>DPDT-(ON)-OFF-(ON) SCHEMATIC</p>	<p>DPDT-ON-OFF-OFF SCHEMATIC</p>	<p>DPDT-(ON)-OFF-ON SCHEMATIC</p>	<p>DPDT-ON-NONE-ON SCHEMATIC W/DEPENDENT LED IN "A"</p>
<p>DPDT-ON-NONE-ON SCHEMATIC W/DEPENDENT LED IN "C"</p>	<p>DPDT-ON-NONE-ON SCHEMATIC W/DEPENDENT LED IN "A" & "C"</p>	<p>DPDT-ON-NONE-ON SCHEMATIC W/DEPENDENT LED IN "A" & INDEPENDENT LED IN "C"</p>	<p>DPDT-ON-NONE-ON SCHEMATIC W/INDEPENDENT LED IN "A" & DEPENDENT LED IN "C"</p>	<p>DPDT-ON-NONE-ON SCHEMATIC W/INDEPENDENT LED IN "A" & "C"</p>

ILLUMINATED PANEL PLUG INDICATORS

K3P
PANEL PLUG
INDICATORS

SNAP-IN PANEL MOUNTING, ATTRACTIVE & RUGGED FOR WET & DUSTY ENVIRONMENTS

Sealed to IP68S, the K3P series of panel plugs with LED indicator lights provides reliable visual feedback to control operators. The K3P panel plugs and OTTO's K3 rocker switches share the same panel cutout size and snap-in front panel mounting method. This allows you to create a uniform panel appearance in your applications. Choose up to 70 different standard legends, 6 lens colors, 5 legend colors and 3 LED colors with 4 voltage options.



Standard Characteristics/Ratings:	
Seal:	IP68S
Operating Temp Range:	-40°C to +85°C
MATERIALS:	
Case and Base:	Black Thermoplastic
Button:	Black Thermoplastic
Terminals:	Brass

K3P PART NUMBER CODE

K3P	-	X	X	X	X	X
Light Source Position "A"		Light Source Position "C"		Lens Color Position "A"		Lens Color Position "C"
1. Red 2. Green 3. Amber 4. Not Used 5. Not Used Z. No Illumination		1. Red 2. Green 3. Amber 4. Not Used 5. Not Used Z. No Illumination		1. Transparent Red 2. Transparent Green 3. Transparent Amber 4. Clear 5. Transparent White 6. Transparent Blue Z. No Lens		1. Transparent Red 2. Transparent Green 3. Transparent Amber 4. Clear 5. Transparent White 6. Transparent Blue Z. No Lens

LED DC Voltage*
1. 2V
2. 6V
3. 12V
4. 24V

STOP HERE for lighted indicator without legends.

For legends, continue with part number code below.

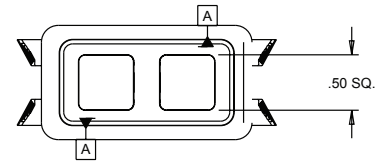
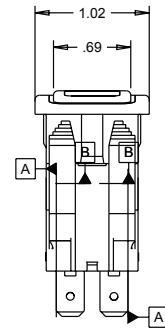
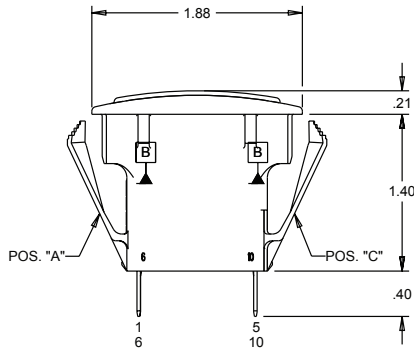
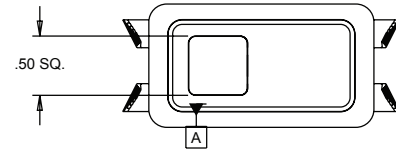
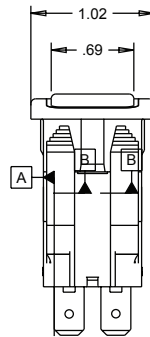
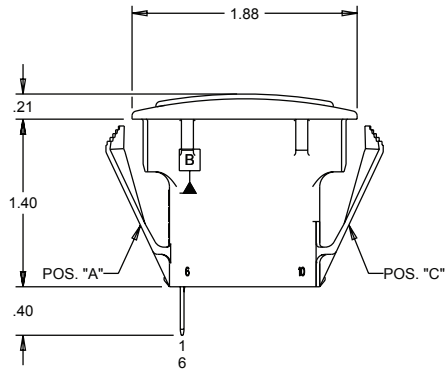
*See page 168 or appendix for complete voltage/current ratings table.

K3P PART NUMBER CODE - CONTINUED FOR LIGHTED INDICATORS WITH LEGENDS

-	XX	XX	X	X	X		
	Legend Style		Legend Color		Legend Orientation		
	Position "A" ZZ. No Legend	Position "C" ZZ. No Legend	Position "A" 1. Red 2. Black 9. White B. Backlight/Daylight White ① D. Backlight/Deadfront ① Z. No Legend	Position "C" 1. Red 2. Black 9. White B. Backlight/Daylight White ① D. Backlight/Deadfront ① Z. No Legend	Position "A" Position "C"		
	NOTE: For all other legend options, refer to the legend table on page 183 or in the appendix, find the two digit code and enter the code in the appropriate position(s).		① Legend colors "B" and "D" use lens color "Z" for each position.		1. Std. <table border="1"><tr><td>A</td><td>C</td></tr></table>	A	C
A	C						
					2. 90° <table border="1"><tr><td>A</td><td>C</td></tr></table>	A	C
A	C						
					3. 180° <table border="1"><tr><td>A</td><td>C</td></tr></table>	A	C
A	C						
					4. 270° <table border="1"><tr><td>A</td><td>C</td></tr></table>	A	C
A	C						

PANEL PLUG WITH INDICATOR LIGHTS

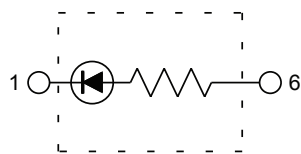
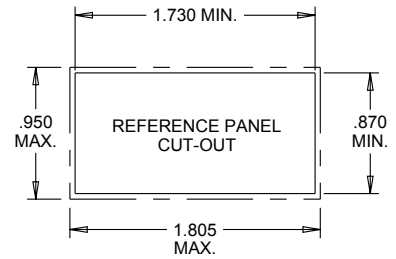
SNAP-IN PANEL MOUNTING, ATTRACTIVE & RUGGED FOR WET & DUSTY ENVIRONMENTS



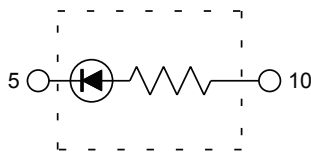
MOUNTING OPENING:
 PANEL THICKNESS RANGE OF .025 - .105 PANEL SEAL
 GASKET P/N 807037 IS RECOMMENDED

PANEL THICKNESS RANGE OF .105 - .187 W/O GASKET

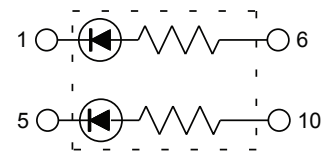
PANEL OPENING:	MIN.	TYP.	MAX.
WIDTH	.870	.937	.950
LENGTH	1.730	1.768	1.805



**IND. LIGHT IN "A"
 SCHEMATIC**



**IND. LIGHT IN "C"
 SCHEMATIC**



**DUAL IND. LIGHT
 SCHEMATIC**

SEALED, ILLUMINATED SNAP-IN TOGGLE

K4
SNAP-IN
TOGGLES

LOW COST, SNAP-IN TOGGLE FOR WET & DUSTY ENVIRONMENTS, 1 & 2 POLES

The K4 series snap-in toggle switches are rugged, high performance sealed switches designed for use under severe conditions found in marine, appliance, heavy equipment and industrial control applications. They are totally sealed so the switch can withstand direct water spray and submersion, even during operation. Sealed to IP68S with an optional panel seal available, the K4 is also sealed to IP69K.

The K4 series is offered in single and double pole configurations. Toggle action includes 2 and 3-position, momentary and maintained operation in a combination of 13 variations.

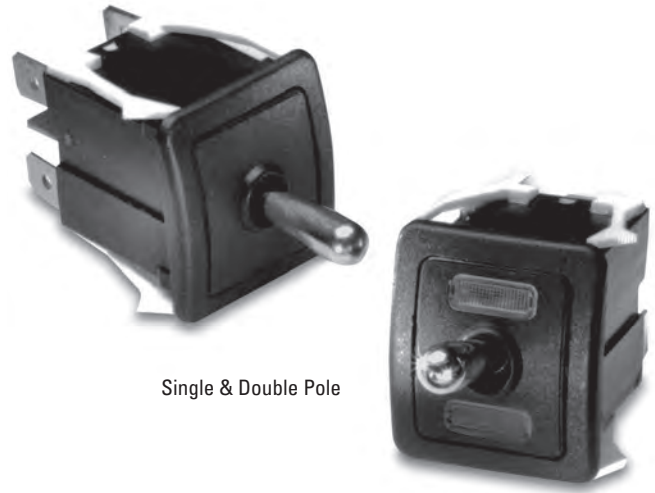
Mounting is simple and quick; snaps into panel from the front. The OTTO snap-in design supports a variety of panel thicknesses with just one cutout size specified.

Existing unsealed applications are easily upgraded to sealed functionality because the K series drops into existing panel cutouts.

A choice of models are offered to handle current from 16 amps to logic level electronic switching levels.

Features:

- Withstands direct water spray
- Sealed to IP68S and IP69K
- Fits industry standard panel openings for drop-in replacement of panel sealed & unsealed switches
- Snap-in feature accommodates a wide range of panel cutouts
- Switches up to 16 amps
- UV & solvent resistant
- Withstands extreme shock & vibration
- Legends & illuminated function indicators available
- 2 & 3-position, momentary, maintained action & center OFF
- RoHS/WEEE/Reach compliant



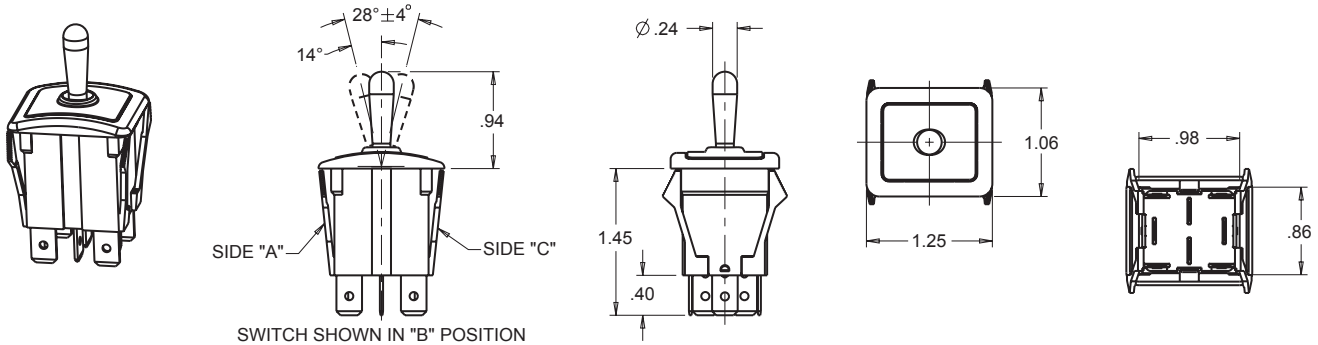
Single & Double Pole

LED, Neon or Incandescent Illumination

Standard Characteristics/Ratings:		
ELECTRICAL RATINGS:		
Load	Sea Level @ 28VDC or 125/250VAC, 60Hz	Cycles
Resistive	16A	25,000
Resistive	10A	50,000
Inductive	10A	25,000
Lamp	5A	25,000
Motor	0.5HP	25,000
DWV	1000Vrms except across light terminals	
Logic Level	10-100mA @ 3-28V, max D.C. logic level ratings (void if logic level load(s) exceeded at any time)	
Electrical Life:	See Rating Chart	
LIGHTING:		
Light Source	Rating	
Incandescent	(VDC) 6V, 12V, 24V	
Neon	(VAC) 125V, 250V	
LED	(VDC) 2V, 6V, 12V, 24V	
Mechanical Life:	100,000 cycles	
Seal:	IP68S and IP69K	
Operating Temp Range:	-30°C to +85°C	
MATERIALS:		
Case:	Thermoplastic	
Toggle:	Stainless steel	
Terminals/Contact:	Brass, silver alloy with silver plate, gold plate for low level	
Terminal Hardware:	Screws and lockwashers provided when applicable K4 series recommended Quick Connect terminals: AMP 60253-2 for 12-16 AWG AMP 42100-2 for 14-18 AWG	
Mounting Hardware:	None provided	

SEALED, ILLUMINATED SNAP-IN TOGGLE

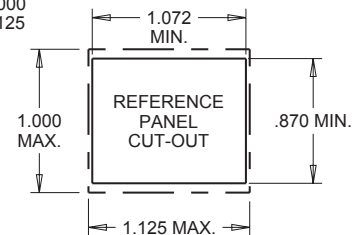
LOW COST, SNAP-IN TOGGLE FOR WET & DUSTY ENVIRONMENTS, 1 & 2 POLES



TERMINAL STYLES (.032 THICK)		
SCREW	QUICK CONNECT	SOLDER

MOUNTING OPENING:

PANEL THICKNESS RANGE OF .025 - .105 A GASKET IS RECOMMENDED
 PANEL THICKNESS RANGE OF .105 - .187 W/O GASKET
 PANEL OPENING: MIN. TYP. MAX.
 WIDTH .870 .937 1.000
 LENGTH 1.072 1.099 1.125



K4 SERIES PART NUMBER CODE

K4	X	X	X	X	X	X	X	X	
Terminal Style/ Switch Rating	Actuator Style	Switch Action/Circuit			Light Type*	Lens Color		Light/Circuit Location	Legend & Orientation ☒
A. Quick Connect/ Standard	A. Bat Handle	Position "A"	Position "B"	Position "C"	Circuit	Position "A"	Position "B"	A. No Light	A. No Legend
B. Screw/Standard		A. 1-C1	NONE	OFF	SPST	A. No Lens	A. No Lens	B. 6V Incandescent	B. Red
C. Solder/Standard		B. 1-C1	NONE	OFF	SPDT	B. Red	B. Red	C. 12V Incandescent	C. Green
D. Quick Connect/ Logic Level		C. (1-C1)	NONE	OFF	SPST	C. Green	C. Green	D. 24V Incandescent	D. Amber
E. Screw/Logic Level		D. (1-C1)	NONE	OFF	SPDT	D. Amber	D. Amber	E. 2V Red LED	E. Clear
F. Solder/Logic Level		E. (1-C1)	OFF	(2-C1)	SPDT	E. Clear	E. Clear	F. 125VAC Neon	
		F. 1-C1	OFF	2-C1	SPDT			G. 250VAC Neon	
		G. (1-C1)	OFF	2-C1	SPDT			H. 2V Green LED	
		H. 1-C1/3-C2	NONE	OFF	DPST			J. 2V Amber LED	
		J. 1-C1/3-C2	NONE	2-C1/4-C2	DPST			K. 6V Red LED	
		K. (1-C1)/(3-C2)	NONE	OFF	DPST			L. 6V Green LED	
		L. (1-C1)/(3-C2)	NONE	2-C1/4-C2	DPDT			M. 6V Amber LED	
		M. (1-C1)/(3-C2)	OFF	(2-C1)/(4-C2)	DPDT			N. 12V Red LED	
		N. 1-C1/3-C2	OFF	2-C1/4-C2	DPDT			P. 12V Green LED	
		P. (1-C1)/(3-C2)	OFF	2-C1/4-C2	DPDT			Q. 12V Amber LED	
								R. 24V Red LED	
								S. 24V Green LED	
								T. 24V Amber LED	

NOTE: () denotes momentary action.

Optional Panel Gasket:
 P/N 807038-1 0.062" thickness
 P/N 807038-2 0.031" thickness

K4 connector P/N C801765
 • K4 panel plugs shown on page 188.

ORDERING INFORMATION

Example: K4AAKEEABA specifies Q.C. terminals, standard rating; bat handle; DPST two position momentary ON, maintained OFF; 125VAC neon light; clear lens in positions "A", no lens in position "C"; dependent light ON in position "A", wired to terminals 1 & 7; no legend.

*See page 168 or appendix for complete voltage/current ratings table.

NOTES:

- No momentary switches with dependent lights.
- Neon lamps only to be coded with clear or amber lenses.
- LED lenses must be clear or same color as LED.
- No legends on lamp side of switch.
- No dependent light in OFF positions.
- All legends printed on actuators without lens(es) will be white except actuator codes C, F, J, M & R.
- All legends printed on lenses will be white except on clear lens(es) will be black.

NOTE: LED anode (+) terminal number shown in bold.

D = Dependent Light
I = Independent Light

☒ All legends are white. Legend cannot be on the same side as the lens.

SEALED, ILLUMINATED SNAP-IN TOGGLE

K4
SNAP-IN
TOGGLES

K4 SCHEMATICS

<p>K4_A_A SPST - ON-NONE-OFF SCHEMATIC</p>	<p>K4_B_A SPDT - ON-NONE-ON SCHEMATIC</p>	<p>K4_C_A SPST - (ON)-NONE-OFF SCHEMATIC</p>	<p>K4_D_A SPDT - (ON)-NONE-ON SCHEMATIC</p>	<p>K4_E_A SPDT - (ON)-OFF-(ON) SCHEMATIC</p>	<p>K4_F_A SPDT - ON-OFF-ON SCHEMATIC</p>
<p>K4_G_A SPDT - (ON)-OFF-ON SCHEMATIC</p>	<p>K4_H_A DPST - ON-NONE-OFF SCHEMATIC</p>	<p>K4_J_A DPDT - ON-NONE-ON SCHEMATIC</p>	<p>K4_K_A DPST - (ON)-NONE-OFF SCHEMATIC</p>	<p>K4_L_A DPDT - (ON)-NONE-ON SCHEMATIC</p>	<p>K4_M_A DPDT - (ON)-OFF-(ON) SCHEMATIC</p>
<p>K4_N_A DPDT - ON-OFF-ON SCHEMATIC</p>	<p>K4_P_A DPDT - (ON)-OFF-ON SCHEMATIC</p>	<p>GENERAL SCHEMATIC INFORMATION</p> <p>○ INDICATES MAINTAIN ACTION (FIXED POSITION)</p> <p>◀ INDICATES MOMENTARY ACTION (AUTOMATIC RETURN POSITION)</p>		<p>K4_F_B SPDT - ON-OFF-ON SCHEMATIC W/DEP LED IN "A"</p>	<p>K4_F_C SPDT - ON-OFF-ON SCHEMATIC W/DEP LED IN "C"</p>
<p>K4_F_D SPDT - ON-OFF-ON SCHEMATIC W/IND LED IN "A"</p>	<p>K4_F_E SPDT - ON-OFF-ON SCHEMATIC W/IND LED IN "C"</p>	<p>K4_F_F SPDT - ON-OFF-ON SCHEMATIC W/DEP LED IN "A" & "C"</p>	<p>K4_F_G SPDT - ON-OFF-ON SCHEMATIC W/DEP LED IN "A" & IND LED IN "C"</p>	<p>K4_F_H SPDT - ON-OFF-ON SCHEMATIC W/IND LED IN "A" & DEP LED IN "C"</p>	<p>K4_F_J SPDT - ON-OFF-ON SCHEMATIC W/IND LED IN "A" & IND LED IN "C"</p>
<p>K4_F_B SPDT - ON-OFF-ON SCHEMATIC W/DEP NEON BULB IN "A"</p>	<p>K4_F_C SPDT - ON-OFF-ON SCHEMATIC W/DEP NEON BULB IN "C"</p>	<p>K4_F_D SPDT - ON-OFF-ON SCHEMATIC W/IND NEON BULB IN "A"</p>	<p>K4_F_E SPDT - ON-OFF-ON SCHEMATIC W/IND NEON BULB IN "C"</p>	<p>K4_F_F SPDT - ON-OFF-ON SCHEMATIC W/DEP NEON BULB IN "A" & "C"</p>	<p>K4_F_G SPDT - ON-OFF-ON SCHEMATIC W/DEP NEON IN "A" & IND NEON IN "C"</p>
<p>K4_F_H SPDT - ON-OFF-ON SCHEMATIC W/IND NEON IN "A" & DEP NEON IN "C"</p>	<p>K4_F_J SPDT - ON-OFF-ON SCHEMATIC W/IND NEON IN "A" & IND NEON IN "C"</p>	<p>K4_F_B SPDT - ON-OFF-ON SCHEMATIC W/DEP BULB IN "A"</p>	<p>K4_F_C SPDT - ON-OFF-ON SCHEMATIC W/DEP BULB IN "C"</p>	<p>K4_F_D SPDT - ON-OFF-ON SCHEMATIC W/IND BULB IN "A"</p>	
<p>K4_F_E SPDT - ON-OFF-ON SCHEMATIC W/IND BULB IN "C"</p>	<p>K4_F_F SPDT - ON-OFF-ON SCHEMATIC W/DEP BULB IN "A" & "C"</p>	<p>K4_F_G SPDT - ON-OFF-ON SCHEMATIC W/DEP BULB IN "A" & IND BULB IN "C"</p>	<p>K4_F_H SPDT - ON-OFF-ON SCHEMATIC W/IND BULB IN "A" & DEP BULB IN "C"</p>	<p>K4_F_J SPDT - ON-OFF-ON SCHEMATIC W/IND BULB IN "A" & IND BULB IN "C"</p>	<p>UNLESS OTHERWISE SPECIFIED DIMENSIONS ARE IN INCHES. TOLERANCES ARE AS LISTED. MUST BE FREE FROM BURRS AND SHARP EDGES</p> <p>TOLERANCES .XX ±.03 .XXX ±.010 ANGLES ±2° DO NOT SCALE DRAWING</p>

ATTRACTIVE & RUGGED FOR WET & DUSTY ENVIRONMENTS

The OTTO K5 series is a quality, precision switch designed to comply with standards established for appliance, marine (ignition protection) and off-road vehicles along with other demanding applications where rugged rocker switches are required.

K5 series sealed rocker switches snap into industry-standard panel cutouts. Choose illuminated and printed legends, thru-panel drain option and switching compatibility from low level up to 20 amps.

The K5 series offers a choice of LED, incandescent and neon illumination. Legends can be stamped onto a non-illuminated button, stamped onto an illuminated lens or laser etched into the lens and backlit.

Available in standard and logic level contact ratings, the K5 rockers will fit a wide range of applications. Expect a minimum of 25,000 cycles at a full rated load of 20 amps resistive or 15 amps inductive. 100,000 cycles mechanical. A full complement of switch operation is available including momentary and maintained action in 2 or 3-position switches in SPST, SPDT, SPTT, DPST and DPDT circuit arrangements.

OTTO can provide custom colors upon request. Value-added assemblies with wire leads are also available. Please consult the factory for assistance.

Features:

- Sealed watertight per IP68S and IP69K
- Snap-in panel mounting into industry standard panel cutout
- Optional panel seal gasket
- LED, neon & incandescent lighting
- 0.250" Quick Connect terminals
- Optional one-piece connector
- Optional terminal barriers
- Logic level up to 20 amp switch
- Configurable Single Pole Triple Throw (SPTT) with external jumpers
- Soft Touch button available
- RoHS/WEEE/Reach compliant



Raised Bars Shown

Standard Characteristics/Ratings:

ELECTRICAL RATINGS:

Load	Sea Level @ 28VDC	Sea Level @ 125VAC, 60/400Hz
Resistive	20A	16A
Inductive	15A	15A
Lamp	5A	5A
Motor	0.5HP @ 110VAC	
DWV	1000Vrms except across light terminals	
Logic Level	10-100mA @ 3-28V, max D.C. logic level ratings (void if logic level load(s) exceeded at any time)	

Electrical Life: 25,000 cycles

LIGHTING:

Light Source	Rating
Incandescent	(VDC) 6V, 12V, 24V
Neon	(VAC) 125V, 250V
LED	(VDC) 2V, 6V, 12V, 24V

Mechanical Life: 100,000 cycles

Seal: IP68S and IP69K

Operating Temp Range: -40°C to +85°C

MATERIALS:

Case:	Thermoplastic
Button:	Thermoplastic
Terminals/Contact:	Brass, silver alloy with silver plate, gold flash for low level
Terminal Hardware:	K5 series recommended Quick Connect terminals: AMP 60253-2 for 12-16 AWG AMP 42100-2 for 14-18 AWG
Mounting Hardware:	None provided

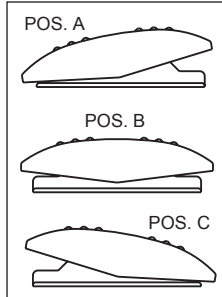
SEALED, ILLUMINATED ROCKER SWITCHES

SNAP-IN PANEL MOUNTING

K5 SERIES PART NUMBER CODE

Part Number Code Continued Below

K5		X	X	X	X	XX				X	X		
Base Options		Rocker Color*/Style		Rocker Features		Switch Action/Circuit				Light Source Type*		Light Circuit	
A. With Keying Pin Only Standard Rating Silver Plate	A. Black Plastic Rocker	B. Black "Soft Touch" Rocker	C. Red Plastic Rocker	1. No Feature	1. No Feature	1A. 3-4	NONE	OFF	SPST	A. No Illumination	A. NONE	Terminal Connections NONE	
B. Without Barriers or Pin Standard Rating Silver Plate	D. Red "Soft Touch" Rocker	E. White Plastic Rocker	F. White "Soft Touch" Rocker	2. Lens	2. Lens	2A. 3-4/8-9	NONE	OFF	DPST	B. 6V Incandescent	B. Dep. in "A"	1(-) & 4(+)	
C. With Terminal Barriers Only Standard Rating Silver Plate	H. Green Plastic Rocker	J. Orange Plastic Rocker	K. Blue Plastic Rocker	3. Raised Bars	3. Raised Bars	1B. 3-4	NONE	3-2	SPDT	C. 12V Incandescent	C. Dep. in "C"	2(+) & 5(-)	
D. With Keying Pin Only Logic Level Rating Gold Plate	L. Gray "Soft Touch" Rocker	M. Gray Plastic Rocker		4. Raised Lit Bars	4. Raised Lit Bars	2B. 3-4/8-9	NONE	3-2/8-7	DPDT	D. 24V Incandescent	D. Ind. in "A"	1(-) & 6(+)	
E. Without Barriers or Pin Logic Level Rating Gold Plate	*Additional colors available. Contact factory.			NOTE: Soft Touch rockers require same color lenses/ lit bars for both positions.		1C. (3-4)	NONE	OFF	SPST	E. 125VAC Neon	E. Ind. in "C"	5(-) & 10(+)	
F. With Terminal Barriers Only Logic Level Rating Gold Plate						2C. (3-4)/(8-9)	NONE	OFF	DPST	F. 250VAC Neon	F. Dep. in "A"	1(-) & 4(+)	
G. With Keying Pin Only Standard Rating No Plate						1D. (3-4)	NONE	3-2	SPDT	G. 2V Red LED	G. Dep. in "C"	2(+) & 5(-)	
H. Without Barrier or Pin Standard Rating No Plate						2D. (3-4)/(8-9)	NONE	3-2/8-7	DPDT	H. 2V Green LED	H. Ind. in "A"	1(-) & 4(+)	
J. With Terminal Barriers Only Standard Rating No Plate						1E. (3-4)	OFF	(3-2)	SPDT	I. 6V Red LED	I. Ind. in "C"	5(-) & 10(+)	
						2E. (3-4)/(8-9)	OFF	(3-2)/(8-7)	DPDT	J. 2V Amber LED	J. Dep. in "C"	2(+) & 5(-)	
						1F. 3-4	OFF	3-2	SPDT	K. 6V Red LED	K. Ind. in "A"	1(-) & 6(+)	
						2F. 3-4/8-9	OFF	3-2/8-7	DPDT	L. 6V Green LED	L. Ind. in "C"	5(-) & 10(+)	
						1G. (3-4)	OFF	3-2	SPDT	M. 6V Amber LED	M. Ind. in "A"	1(-) & 6(+)	
						2G. (3-4)/(8-9)	OFF	3-2/8-7	DPDT	N. 12V Red LED	N. Ind. in "C"	2(+) & 5(-)	
										O. 12V Amber LED	O. Ind. in "A"	1(-) & 6(+)	
										R. 24V Red LED	R. Ind. in "C"	5(-) & 10(+)	
										S. 24V Green LED			
										T. 24V Amber LED			



NOTE: All code combinations are not feasible. Consult factory for product availability.

NOTE: () denotes momentary action.

*See appendix for complete voltage/ratings table

K5 PART NUMBER CODE - CONTINUED FROM ABOVE

X		X	XX		XX	X	X	X	
Lens Color		Legend Style	Legend Color		Legend Orientation				
Position "A" 1. Transparent Red 2. Transparent Green 3. Transparent Amber ① 4. Clear ① 5. Translucent White ② Z. No Lens	Position "C" 1. Transparent Red 2. Transparent Green 3. Transparent Amber ① 4. Clear ① 5. Translucent White ② Z. No Lens	Position "A" ZZ. No Legend	Position "C" ZZ. No Legend		Position "A" 1. Red 2. Black 9. White B. Backlight/Daylight White ③ D. Backlight/Deadfront ③ Z. No Legend	Position "C" 1. Red 2. Black 9. White B. Backlight/Daylight White ③ D. Backlight/Deadfront ③ Z. No Legend	Position "A" 1. Std. 2. 90° 3. 180° 4. 270°		Position "C" A C A C A C A C

NOTE: It is not recommended to use green LEDs with translucent white lenses. This will reduce light intensity. Use clear lenses with green LEDs for maximum light intensity.

① Recommended for neon lamps.
② Special Order: Ultra bright green LEDs to be used with translucent white lens.

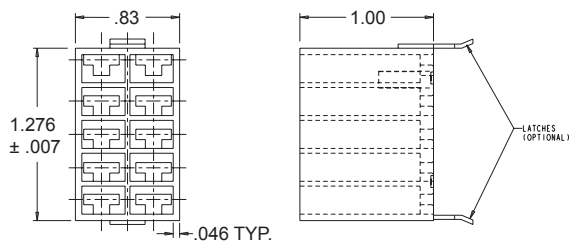
STOP HERE for lighted switches without legends.

Example: K5AA331FNH-44

③ Only available on Rocker Style "A" & Rocker Features "1" and lens color "Z" for each position.

STOP HERE for unlighted switches without legends.

Example: K5AA331BAA



K5 Connector
P/N 801775-2A Without Latches
P/N 801775-2B With Latches

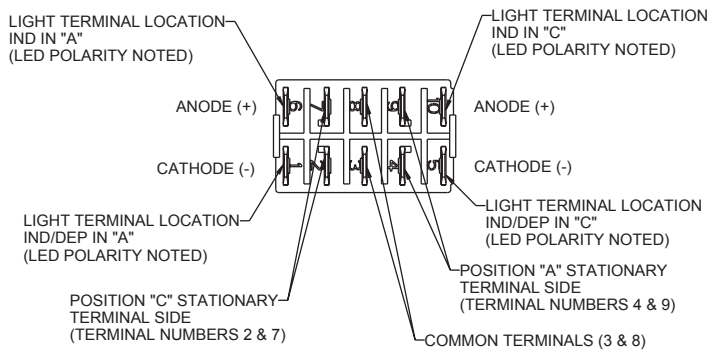
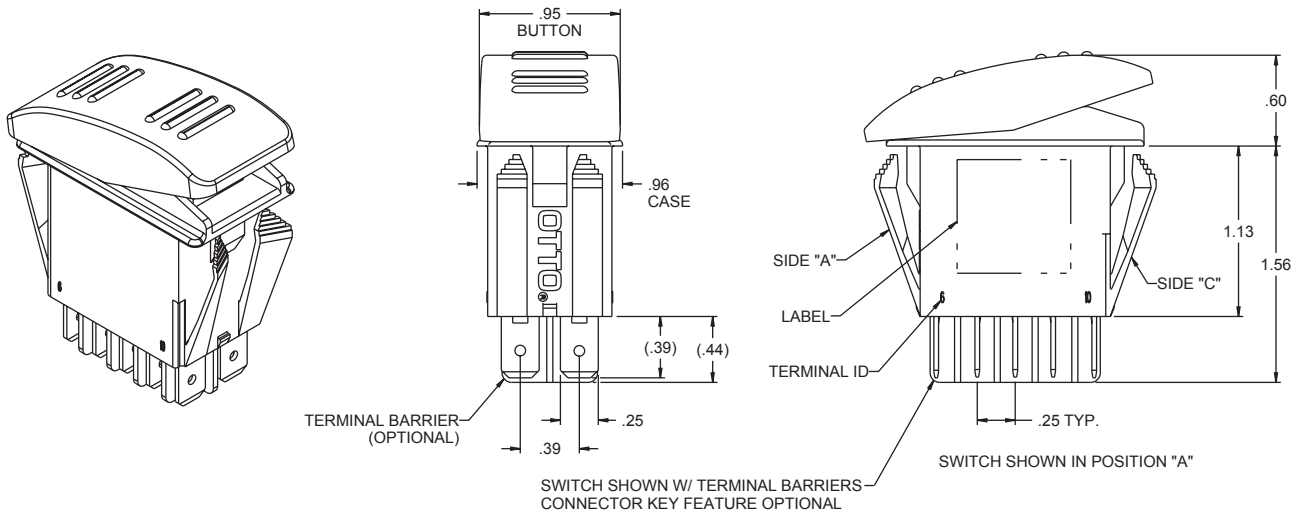
Recommended Quick Connect Terminals
AMP 60253-2 for 12-16 AWG
AMP 42100-2 for 14-18 AWG

Panel Seal Gasket
P/N 807109

• K5 panel plugs available as shown on page 188.

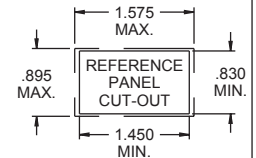
SEALED, ILLUMINATED ROCKER SWITCHES

ATTRACTIVE & RUGGED FOR WET & DUSTY ENVIRONMENTS



TERMINAL LOCATIONS AS VIEWED FROM BOTTOM OF SWITCH (CASE REMOVED FOR CLARITY)
CONTACT MADE IN OPPOSITE DIRECTION OF ROCKER TRAVEL

















MOUNTING OPENING:
PANEL THICKNESS RANGE OF .025 - .105 A GASKET IS RECOMMENDED
PANEL THICKNESS RANGE OF .105 - .187 W/O GASKET
PANEL OPENING: MIN. TYP. MAX.
WIDTH .830 .863 .895
LENGTH 1.450 1.513 1.575



<p>POS "A"</p> <p>POS "B"</p> <p>POS "C"</p> <p>SPECIAL CIRCUIT - ON-ON SCHEMATIC</p>	<p>K5...2A...</p> <p>DPST-ON-NONE-OFF SCHEMATIC</p>	<p>K5...2B...</p> <p>DPDT-ON-NONE-ON SCHEMATIC</p>	<p>K5...2C...</p> <p>DPST-(ON)-NONE-OFF SCHEMATIC</p>	<p>K5...2D...</p> <p>DPDT-(ON)-NONE-ON SCHEMATIC</p>	
<p>GENERAL SCHEMATIC INFORMATION</p> <p>○—○ INDICATES MAINTAIN ACTION (FIXED POSITION)</p> <p>▼—○ INDICATES MOMENTARY ACTION (AUTOMATIC RETURN POSITION)</p> <p>FOR OTHER LIGHTING SCHEMATICS REPLACE FOLLOWING SYMBOLS:</p> <p>⊕ INCANDESCENT (REPLACE RESISTOR & LED)</p> <p>⊙ NEON (REPLACE LED)</p>	<p>K5...2E...</p> <p>DPDT-(ON)-OFF-(ON) SCHEMATIC</p>	<p>K5...2F...</p> <p>DPDT-ON-OFF-ON SCHEMATIC</p>	<p>K5...2G...</p> <p>DPDT-(ON)-OFF-ON SCHEMATIC</p>	<p>K5...2BND-Z</p> <p>DPDT-ON-NONE-ON SCHEMATIC W/DEPENDENT LED IN "A"</p>	<p>K5...2BNC-Z</p> <p>DPDT-ON-NONE-ON SCHEMATIC W/DEPENDENT LED IN "C"</p>
<p>K5...2BND-Z</p> <p>DPDT-ON-NONE-ON SCHEMATIC W/INDEPENDENT LED IN "A"</p>	<p>K5...2BNE-Z</p> <p>DPDT-ON-NONE-ON SCHEMATIC W/INDEPENDENT LED IN "C"</p>	<p>K5...2BNF...</p> <p>DPDT-ON-NONE-ON SCHEMATIC W/DEPENDENT LED IN "A" & "C"</p>	<p>K5...2BNG...</p> <p>DPDT-ON-NONE-ON SCHEMATIC W/DEPENDENT LED IN "A" & INDEPENDENT LED IN "C"</p>	<p>K5...2BNH...</p> <p>DPDT-ON-NONE-ON SCHEMATIC W/INDEPENDENT LED IN "A" & DEPENDENT LED IN "C"</p>	<p>K5...2BNJ...</p> <p>DPDT-ON-NONE-ON SCHEMATIC W/INDEPENDENT LED IN "A" & "C"</p>

SNAP-IN PANEL MOUNTING

Standard Legends Per SAE Specifications

STANDARD LEGENDS PER SAE SPECIFICATIONS								
A1		ANCHOR	K2		UNLOCK	P5		BILGE BLOWER
B1		BATTERY	L1		LIGHT	R1		LIFT
B2		ELECTRIC POWER	L2		MASTER LIGHTING SWITCH	R2		LOWER
C1		AC/COOLING SYSTEMS	L3		HEADLIGHTS	R3		UP
C2		DEHUMIDIFIER	L4		HEADLIGHTS-LOW / DIPPED BEAM	R4		DOWN
C3		HEATER/INTERIOR HEATING	L5		HEADLIGHTS-HIGH / UPPER BEAM	R5		RIGHT
D1		WINDSHIELD DEFROSTER	L6		PARKING LIGHT	R6		LEFT
D2		REAR WINDOW DEFROSTER	L7		WORK LAMP	R7	FWD	FORWARD
D3		MIRROR DEFROSTER	L8		WORK LAMP	R8	REV	REVERSE
E1		ENGINE/START	L9		INTERIOR DOME LIGHT	S1		RADIO
E2		ENGINE/STOP	M1		BEACON	S2		MUTE
E3		ON/START	M2		HAZARD/POSITION LIGHTS	T1		FAST
E4	○	OFF/STOP	M3		CLEARANCE LIGHTS	T2		SLOW
E5	ON	ON	M4		SIDE MARKER LIGHT	T3		TRIM TAB / TRIMMING OPERATION
E6	OFF	OFF	M5		RUNNING LIGHTS (UNDER POWER)	T4		TRANSMISSION
E7		ENGINE ELECTRIC PREHEAT	M6		ANCHOR LIGHT	V1		VENTILATING / AC FAN
E8		ENGINE-GAS INJECTION	M7		RUNNING/ANCHOR LIGHTS	W1		WINDSHIELD WIPER
F1		FRONT FOG LIGHTS	M8		SEARCH LIGHT	W2		WINDSHIELD-WASHER
F2		REAR FOG LIGHTS	M9		LEFT TURN SIGNAL	W3		WINDSHIELD-WASHER/WIPER
G1		FUEL	MA		RIGHT TURN SIGNAL	W4		REAR WINDOW WIPER
H1		HORN	P1		BILGE PUMP #1	W5		REAR WINDOW-WASHER
H2		HORN REAR	P2		BILGE PUMP #2	W6		REAR WINDOW-WASHER/WIPER
K1		LOCK	P3		BILGE PUMP #3	ZZ		NO LEGEND
			P4		BILGE PUMP			

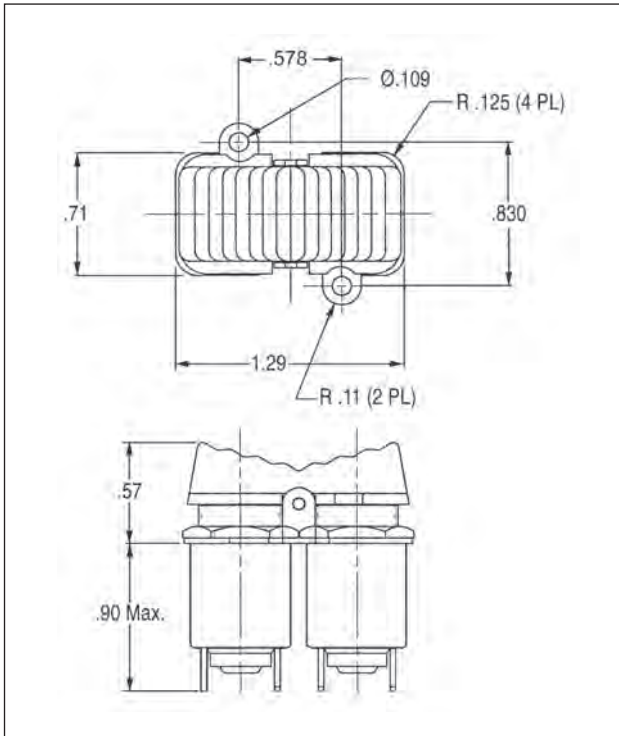
For legends not shown, please consult an OTTO representative.

ONE MILLION CYCLE SEALED ROCKER SWITCH

The U2-277 (low level) and U2-278 rocker switches are designed to run a minimum of one million mechanical cycles and withstand extreme environmental conditions. Ideal for use in material handling, heavy equipment, off-road and construction equipment, and other outdoor applications where severe conditions are typically encountered. These momentary action, ON-OFF-ON switches provide crisp tactile feedback and are moistureproof and dusttight to IP64. Watertight to IP68S option is also available. The optional watertight seal will withstand direct water spray and the durable construction provides protection against extreme shock and vibration.

Features:

- **One million cycle life**
- **Moistureproof & dusttight to IP64**
- **Optional IP68S watertight seal available**
- **Momentary action (ON-OFF-ON)**
- **Crisp tactile feedback**
- **Vibration & shock resistant**
- **Low level up to 10 amps switching capability**
- **RoHS/WEEE/Reach compliant**



Standard Characteristics/Ratings:

ELECTRICAL RATINGS:

Load	Sea Level @ 28VDC or 115VAC
Resistive	10A
Inductive	5A
Lamp	3A
Low Level	10mA @ 30mV

Electrical Life: 100,000 cycles

Mechanical Life: 1,000,000 cycles

Seal: IP64 or IP68S

Operating Temp Range: -55°C to +85°C

Operating Force: 2.5 +0.5/-1.0 lb.

Reset Force: 0.75 lb. min

Total Travel: 0.080 inches max

Overtravel: 0.012 inches min

MATERIALS:

Button: Nylon black

Bracket: Stainless steel

Contacts: Silver, standard
Silver, gold for low level

Terminal Hardware: None provided

Mounting Hardware: None provided

UP TO 3 POSITIONS WITH 3 OPTIONAL, INDEPENDENT LED LIGHT POSITIONS

Used in the heavy equipment, marine, process control and instrumentation markets, the R2 rotary switch is an excellent replacement for rocker switches, offering improved visual position indication, additional lighting options and different styling opportunities on front panels. The R2 is a sealed, lighted rotary switch which snaps into a 1.475" x 0.875" industry standard rocker switch panel opening. The rotary knob snaps onto a shaft and can be installed by the panel builder for those desiring that flexibility. The R2 rotary switch provides up to three positions in all combinations of momentary and maintained action. It is capable of handling loads from logic level up to 20 amps resistive. Sealing is to IP68S via a shaft O-ring seal in front and a potted base in the back. Termination options include 0.250" faston or a snap-on modular connector. The R2 offers unique lighting options including up to three independent LED light positions which illuminate a lens on the rotary knob. This design provides more lighting options than traditional rocker switches, handles the full range of electrical loads and is robust enough to survive in the most demanding applications.

Features:

- **Sealed watertight per IP68S**
- **Snap-in panel mounting into industry standard 1.475" x 0.875" panel cutout**
- **Unique lighting options—up to 3 independent LED light positions**
- **Plastic or Soft Touch knob options available**
- **2 or 3 positions in all combinations of momentary & maintained action**
- **Termination can be used as 0.250" faston or with snap-on modular connector**
- **Reach compliant**

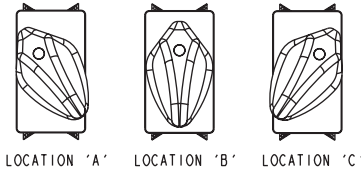
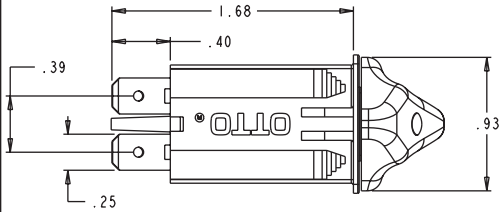


Standard Characteristics/Ratings:		
ELECTRICAL RATINGS:		
Load	Sea Level @ 12/28VDC	Sea Level @ 125VAC
Resistive	20A	16A
Inductive	15A	15A
Lamp	4A	4A
Motor	0.5HP @ 110VAC	
DWV	1000Vrms except across light terminals	
Logic Level	10-100mA @ 3-28V, max D.C. logic level ratings (void if logic level load(s) exceeded at any time)	
Electrical Life:	25,000 cycles at full load	
Lighting:	LED 2V, 6V, 12V, 24V (VDC)	
Mechanical Life:	100,000 cycles	
Seal:	IP68S	
Operating Temp Range:	-40°C to +85°C	
MATERIALS:		
Case:	Thermoplastic	
Knob:	Thermoplastic	
Lens:	Thermoplastic, clear	
Terminals:	Copper, silver plate, gold plate for logic level	
Contacts:	Silver alloy, gold plate for logic level	
Terminal Hardware:	R2 recommended Quick Connect terminals: AMP 60253-2 for 12-16 AWG AMP 42100-2 for 14-18 AWG	
Mounting Hardware:	None provided	

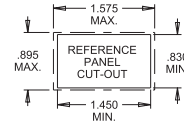
ROTARY SWITCHES

ROTARY SWITCH

UP TO 3 POSITIONS WITH 3 OPTIONAL, INDEPENDENT LED LIGHT POSITIONS

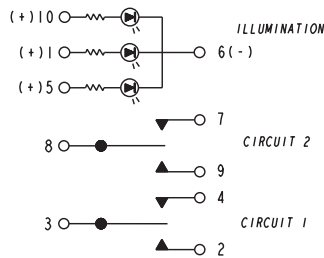


PANEL THICKNESS RANGE OF .025 - .105 A GASKET IS RECOMMENDED
 PANEL THICKNESS RANGE OF .105 - .187 W/O GASKET
 PANEL OPENING: MIN. TYP. MAX.
 WIDTH .830 .885 .895
 LENGTH 1.450 1.513 1.575

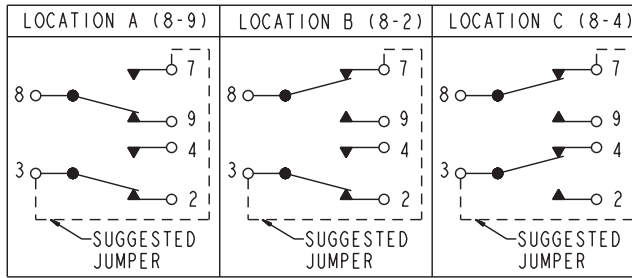


KNOB LOCATION DETAILS

ELECTRICAL SCHEMATICS

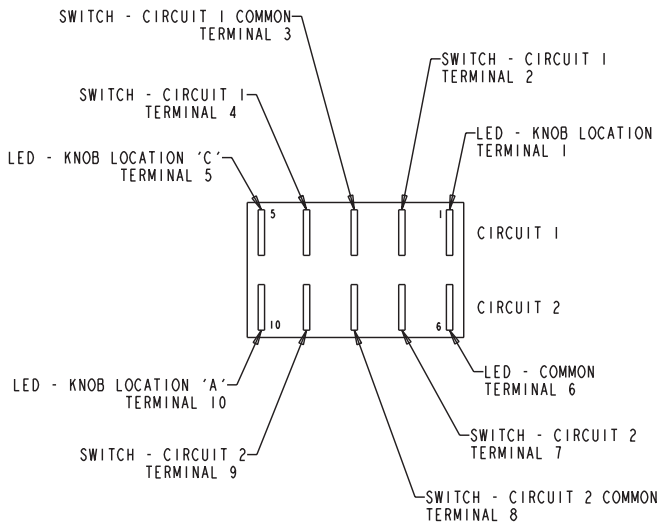


GENERIC SWITCH SCHEMATIC
 USE TERMINALS AS APPLICABLE
 TO PART NUMBER

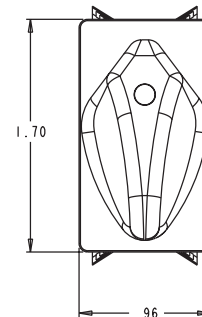
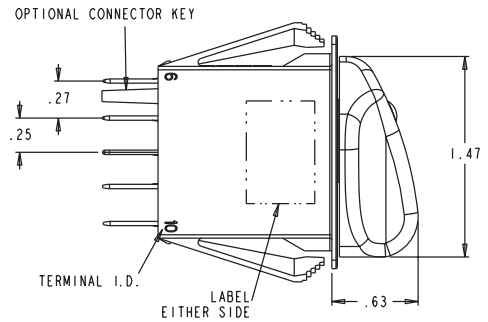


SPTI SCHEMATIC

USE R2XXXXT7XXXX FOR (8-9),(8-2),(8-4)
 USE R2XXXXT4XXXX FOR (OFF),(8-2),(8-4)
 USE R2XXXXT6XXXX FOR (8-9),(8-2),(OFF)



TERMINAL LOCATION AS VIEWED
 FROM THE BOTTOM OF THE SWITCH



• R2 panel plugs available as shown on page 188.

ROTARY SWITCH

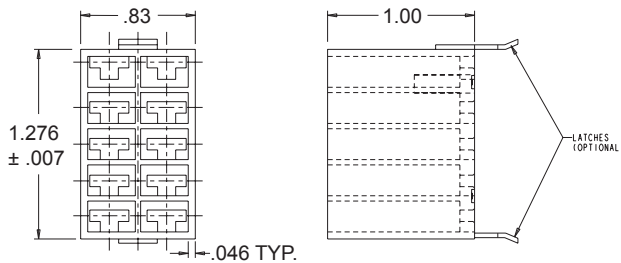
R2
LIGHTED
ROTARY

UP TO 3 POSITIONS WITH 3 OPTIONAL, INDEPENDENT LED LIGHT POSITIONS

R2 SERIES PART NUMBER CODE

R2	X	X	XX	X	X	X	X	X	X	X				
Terminal Style/ Switch Rating	Knob Color & Texture	Switch Action			Switch Circuit 1 Terminals 2, 3, 4			Switch Circuit 2 Terminals 7, 8, 9			LED Light Source Voltage*	Light Source Color		
		Knob Location "A"	Knob Location "B"	Knob Location "C"	Knob Location "A"	Knob Location "B"	Knob Location "C"	Knob Location "A"	Knob Location "B"	Knob Location "C"	N. NONE A. 2V B. 6V C. 12V D. 24V	Location "A"	Location "B"	Location "C"
A. Without Terminal Barriers, With Connector Keying Pin, Standard Rating	A. Black Plastic	2-Position Switch, Knob Locations A/B			2-Position Switch, Knob Locations A/B			N. NONE (Single Pole)				1. Red	1. Red	1. Red
B. Without Terminal Barriers, Without Connector Keying Pin, Standard Rating	B. Black Soft Touch	11. Maintain	Maintain	N/A	1. 3-2	OFF	N/A	1. 8-9	OFF	N/A	2. 6V	2. Green	2. Green	2. Green
C. Without Terminal Barriers, With Connector Keying Pin, Logic Level Rating	C. White Plastic	12. Maintain	Momentary	N/A	2. OFF	3-4	N/A	2. OFF	8-7	N/A	3. 12V	3. Amber	3. Amber	3. Amber
D. Without Terminal Barriers, Without Connector Keying Pin, Logic Level Rating	D. White Soft Touch	13. Momentary	Maintain	N/A	3. 3-2	3-4	N/A	3. 8-9	8-7	N/A	D. 24V			
	E. Red Plastic	2-Position Switch, Knob Locations A/C			2-Position Switch, Knob Locations A/C			2-Position Switch, Knob Locations A/C						
	F. Red Soft Touch	21. Maintain	N/A	Maintain	1. 3-2	N/A	OFF	1. 8-9	N/A	OFF				
		22. Maintain	N/A	Momentary	2. OFF	N/A	3-4	2. OFF	N/A	8-7				
		23. Momentary	N/A	Maintain	3. 3-2	N/A	3-4	3. 8-9	N/A	8-7				
		2-Position Switch, Knob Locations B/C			2-Position Switch, Knob Locations B/C			2-Position Switch, Knob Locations B/C						
		31. N/A	Maintain	Maintain	1. N/A	3-2	OFF	1. N/A	8-9	OFF				
		32. N/A	Maintain	Momentary	2. N/A	OFF	3-4	2. N/A	OFF	8-7				
		33. N/A	Momentary	Maintain	3. N/A	3-2	3-4	3. N/A	8-9	8-7				
		3-Position Switch, Knob Locations A/B/C			3-Position Switch			3-Position Switch						
		44. Maintain	Maintain	Maintain	4. OFF	3-4	3-4	4. OFF	8-7	8-7				
		45. Momentary	Maintain	Momentary	5. 3-2	OFF	3-4	5. 8-9	OFF	8-7				
		46. Maintain	Maintain	Momentary	6. 3-2	3-2	OFF	6. 8-9	8-9	OFF				
		47. Momentary	Maintain	Maintain	7. 3-2	3-2	3-4	7. 8-9	8-7	8-7				
					8. 3-2	OFF	OFF	8. 8-9	OFF	OFF				
					9. OFF	OFF	3-4	9. OFF	OFF	8-7				

*See appendix for complete voltage/ratings table



R2 Connector

P/N C801775-2A Without Latches

P/N C801775-2B With Latches

Recommended Quick Connect Terminals

AMP C60253-2 for 12-16 AWG

AMP C42100-2 for 14-18 AWG

Panel Seal Gasket

P/N C807109

K1 THROUGH K5 & R2 PANEL PLUGS

K1-PA Panel Plug
One Piece Molded

OPTIONAL PANEL GASKET:
0.062" THICKNESS = P/N 807039-1
0.031" THICKNESS = P/N 807039-2

MOUNTING HOLE

RECOMMENDED PANEL THICKNESS: RANGE 0.025 - 0.105 OPTIONAL PANEL GASKET RECOMMENDED
RANGE 0.105 - 0.187 WITHOUT GASKET

REFERENCE PANEL CUT-OUT: 1.125 MAX., .480 MIN., .550 MAX., 1.072 MIN.

Panel Opening:	Min.	Typ.	Max.
Width	0.480	0.515	0.550
Length	1.072	1.099	1.125

K2-PB Panel Plug
Assembled Plug

OPTIONAL PANEL GASKET:
0.062" THICKNESS = P/N 807038-1
0.031" THICKNESS = P/N 807038-2

MOUNTING HOLE

RECOMMENDED PANEL THICKNESS: RANGE 0.025 - 0.105 OPTIONAL PANEL GASKET RECOMMENDED
RANGE 0.105 - 0.187 WITHOUT GASKET

REFERENCE PANEL CUT-OUT: 1.072 MIN., 1.000 MAX., .870 MIN.

Panel Opening:	Min.	Typ.	Max.
Width	0.870	0.937	1.00
Length	1.072	1.099	1.125

K4-PB Panel Plug
Assembled Plug

OPTIONAL PANEL GASKET:
0.062" THICKNESS = P/N 807038-1
0.031" THICKNESS = P/N 807038-2

MOUNTING HOLE

RECOMMENDED PANEL THICKNESS: RANGE 0.025 - 0.105 OPTIONAL PANEL GASKET RECOMMENDED
RANGE 0.105 - 0.187 WITHOUT GASKET

REFERENCE PANEL CUT-OUT: 1.072 MIN., 1.000 MAX., .870 MIN.

Panel Opening:	Min.	Typ.	Max.
Width	0.870	0.937	1.00
Length	1.072	1.099	1.125

K3-PB Panel Plug
Assembled Plug

OPTIONAL PANEL GASKET:
P/N 807037

MOUNTING HOLE

RECOMMENDED PANEL THICKNESS: RANGE 0.025 - 0.105 OPTIONAL PANEL GASKET RECOMMENDED
RANGE 0.102 - 0.187 WITHOUT GASKET

REFERENCE PANEL CUT-OUT: 1.730 MIN., 1.000 MAX., .950 MAX., .870 MIN., 1.805 MAX.

Panel Opening:	Min.	Typ.	Max.
Width	0.870	0.937	0.950
Length	1.730	1.768	1.805

K5-PA / R2-PA Panel Plug
One Piece Molded

OPTIONAL PANEL GASKET:
P/N 807109

MOUNTING HOLE

RECOMMENDED PANEL THICKNESS: RANGE 0.025 - 0.105 OPTIONAL PANEL GASKET RECOMMENDED
RANGE 0.105 - 0.187 WITHOUT GASKET

REFERENCE PANEL CUT-OUT: 1.575 MAX., .895 MAX., .830 MIN., 1.450 MIN.

Panel Opening:	Min.	Typ.	Max.
Width	0.830	0.863	0.895
Length	1.450	1.513	1.575

PANEL PLUG PART NUMBER CODE

X - X X X X

Series Plug Style Plug Color^③ Button Insert^③

K1 ① P A. One Piece Molded 1. Red 1. Red*

K2 ② B. Assembled Plug 2. Black 2. Black*

K3 ② 9. White 9. White*

K4 ② Z. NONE**

K5 ① *K3 series only.

R2 ① **Molded plug only.

- ① Available in Style A only.
- ② Available in Style B only.
- ③ Additional colors available. Contact factory.

COMMERCIAL & MILITARY GRADES



Flush Button Style

Raised Button Style

Features:

- Single & double pole, double throw switch configuration
- Low level rating available with gold plate contacts & terminals
- 3-position center OFF with momentary or maintained switch action in any combination
- Dusttight to MIL-PRF-8805 Design 2
- Raised & flush button contours available
- Choice of button color
- FAA/PMA available (contact factory)
- RoHS/WEEE/Reach compliant

Standard Characteristics/Ratings:

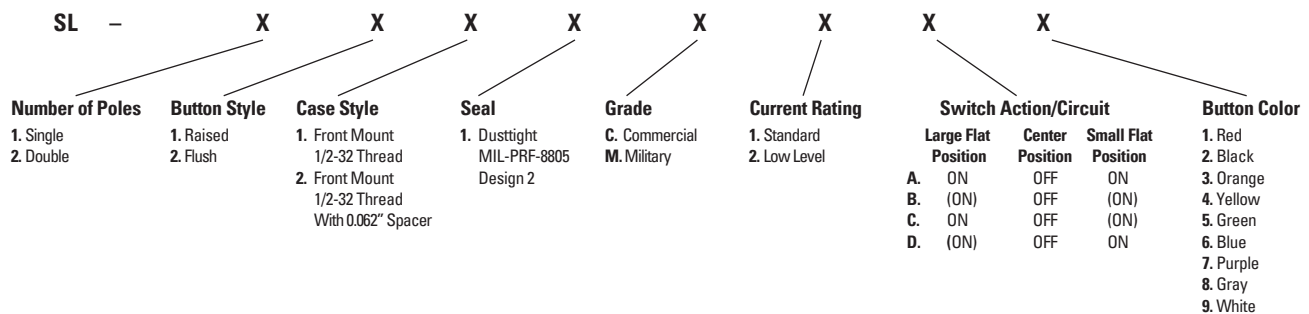
ELECTRICAL RATINGS:

Load	Sea Level @ 28VDC or 115VAC, 60/400Hz
Resistive	5A
Inductive	3A
Lamp	1A
DWV	1050Vrms
Low Level	10mA @ 30mV
Electrical Life:	100,000 cycles
Mechanical Life:	100,000 cycles
Seal:	Dusttight per MIL-PRF-8805 Design 2
Operating Temp Range:	-55°C to +85°C
Operating Force:	24 oz +/- 10 oz
Return Force:	10 oz +8 oz/-3 oz to center from maintained position
Total Travel:	0.120 inches max two directions
Overtravel:	0.010 inches min

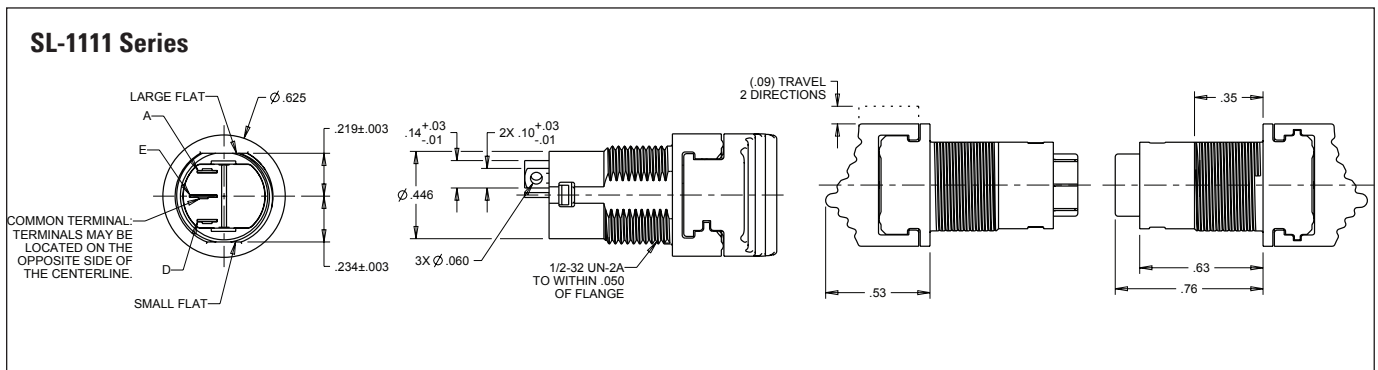
MATERIALS:

Case:	Thermoplastic
Button:	Thermoplastic
Terminals:	Copper with silver, Gold over silver for low level
Terminal Hardware:	None provided
Mounting Hardware:	Hex nut and lockwasher

SL PART NUMBER CODE

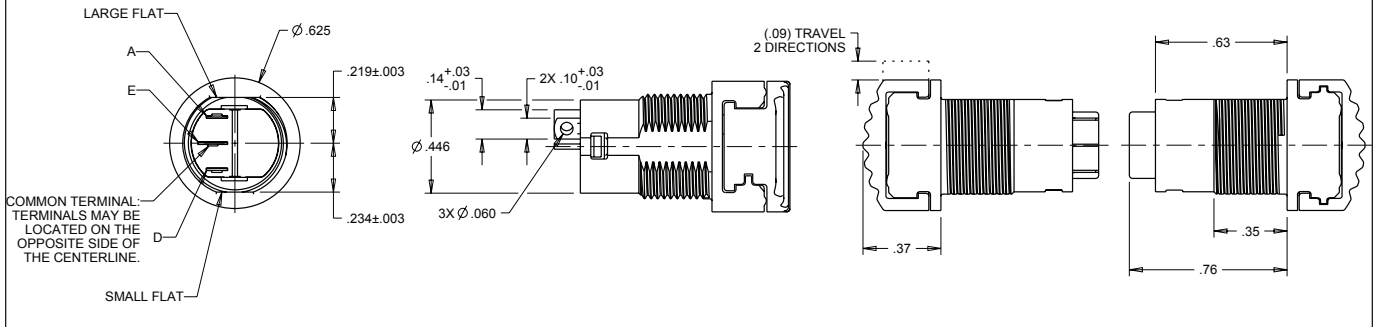


NOTE: () denotes momentary action.

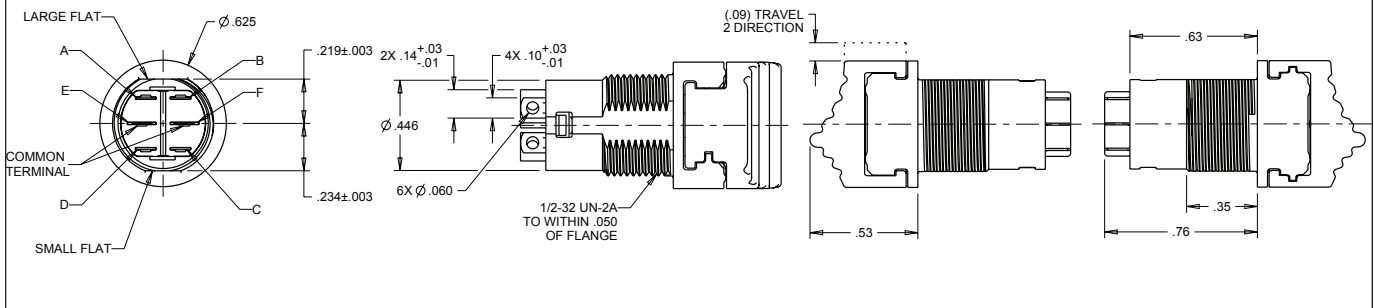


COMMERCIAL & MILITARY GRADES

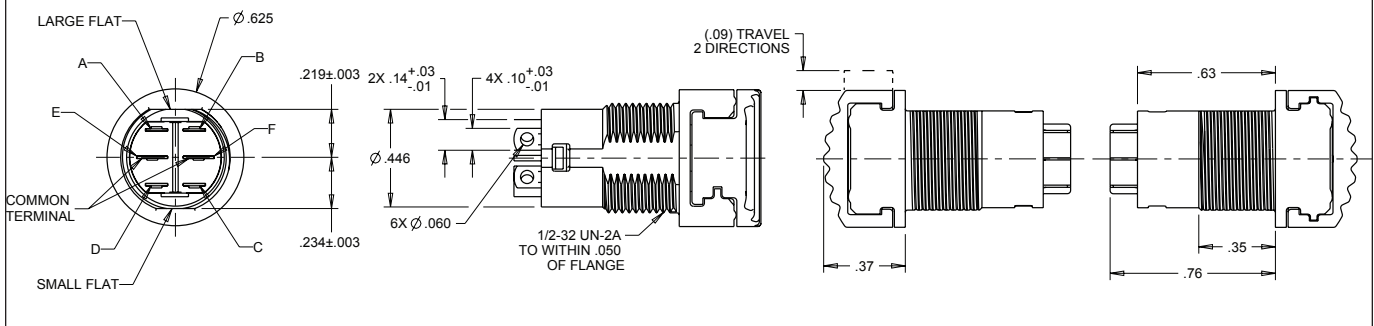
SL-1211 Series



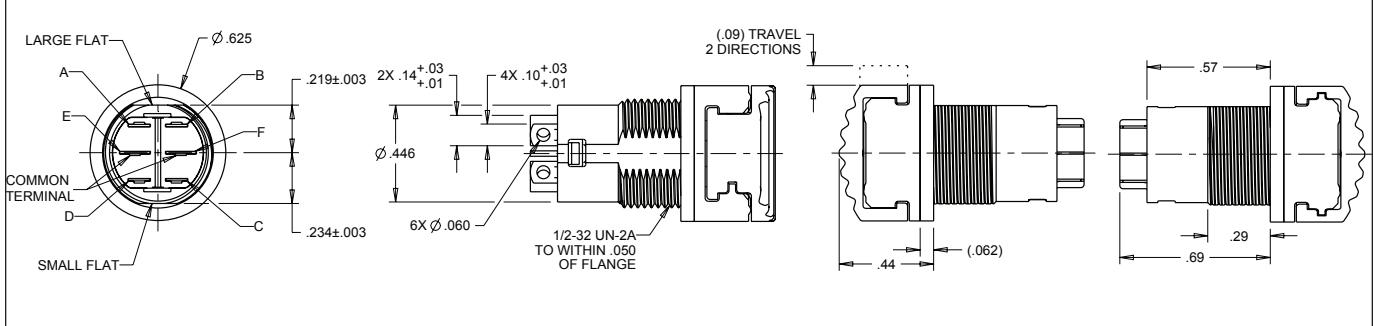
SL-2111 Series



SL-2211 Series



SL-2221 Series



Trim Switches



OTTO Mini Trims are toggle switches available in 2-way, 4-way, 4-way plus pushbutton, and 8-way versions.

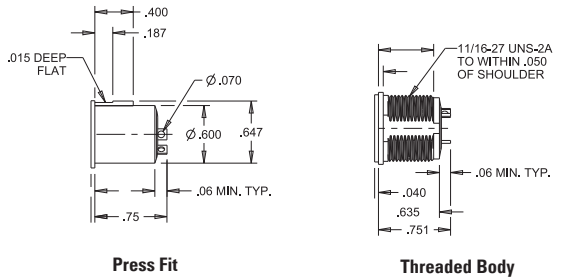
SERIES	FEATURE	ACTUATION	MAX RATING (Resistive)	SEAL RATING	MOUNTING	CIRCUITRY
MT T1 (mini)	2-Way, Quiet Operation Center Pushbutton Option	Momentary	10mA @ 5VDC (low level)	IP64, IP68S Watertight per MIL-PRF-8805 Design 3	11/16" dia. Threaded or Press Fit	SPST (x2)
MT T1-T (mini)	2-Way Tactile Feedback	Momentary/ Maintained	10mA @ 30mV (low level)	Water Resistant per MIL-STD-810F, Method 506.4 Procedure 3 (Drip)	11/16" dia. Threaded	SPST (x2)
MT T4 (mini)	4-Way Quiet Operation	Momentary	10mA @ 5VDC (low level)	IP64, IP68S Watertight per MIL-PRF-8805 Design 3	11/16" dia. Threaded or Press Fit	SPST (x4)
MT T4-T (mini)	4-Way Tactile Feedback	Momentary with Tactile Feel	2A @ 28VDC	Water Resistant per MIL-STD-810F, Method 506.4 Procedure 3 (Drip)	Press Fit	SPST (x4)
MT T5 (mini)	4-Way Quiet Operation Center Pushbutton	Momentary, Lenient Option	10mA @ 5VDC (low level)	IP64, IP68S Watertight per MIL-PRF-8805 Design 3	11/16" dia. Threaded or Press Fit	SPST (x5)
MT T8 (mini)	8-Way Quiet Operation	Momentary	10mA @ 5VDC (low level)	IP64, IP68S Watertight per MIL-PRF-8805 Design 3	11/16" dia. Threaded or Press Fit	SPST (x8)
MT T8-T (mini)	8-Way Tactile Feedback	Momentary with Tactile Feel	2A @ 28VDC or 10mA @ 30mV low level	Water Resistant per MIL-STD-810F, Method 506.4 Procedure 3 (Drip)	Press Fit	SPST (x8)
SPT (split trim)	Two 2-Way Trim Switches	Momentary with Tactile Feel	0.6mA @ 15VDC (low level)	Water Resistant per MIL-STD-810F, Method 506.4 Procedure 3 (Drip)	3/4" dia. Threaded	Two SPST (x2)
T2 (large)	2-Way, Center Pushbutton Option	Momentary with Tactile Feel	10A @ 28VDC	MIL-PRF-8805 - Dusttight per Design 2, Resilient per Design 4	Threaded or Press Fit	SPST, DPST Double Break (x3)
T4 (large)	4-Way	Momentary with Tactile Feel	5A @ 30VDC	MIL-PRF-8805 - Dusttight per Design 2, Resilient per Design 4	Threaded or Press Fit	SPST (x4) Multi-Pole Option
T5 (large)	4-Way plus Center Pushbutton	Center Maintained, Momentary with Tactile Feel	2A @ 28VDC	MIL-PRF-8805 - Dusttight per Design 2	Threaded or Press Fit	SPST (x5) Multi-Pole Option

2-WAY MINI TRIM, COMMERCIAL & MILITARY GRADES

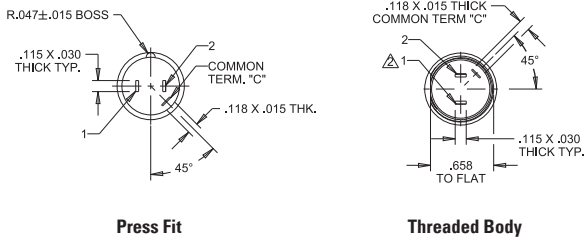
The T1 Mini Trim is a single pole, double throw, center off, momentary contact (self return to center off) switch. Numerous button styles are available on both the Commercial and Military grade switch versions. Mini Trims are typically press fit into control grips or panel mounted using versions with an 11/16" threaded case. Mini Trims are also available with multiple sealing levels to fit all applications.



Typical Dimensions



T1



Standard Characteristics/Ratings:

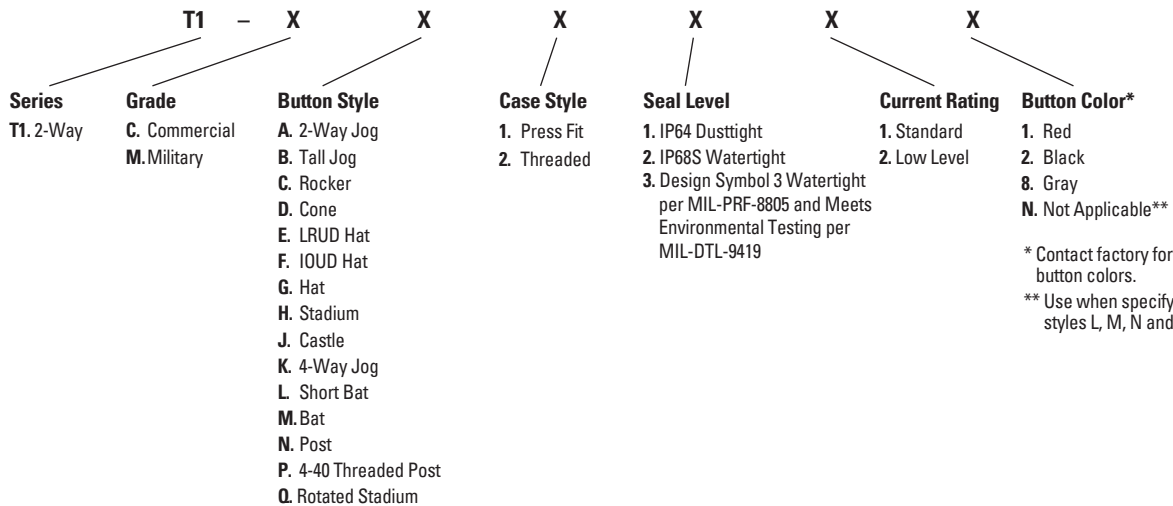
ELECTRICAL RATINGS:

Load	Rating
Resistive	10mA @ 5VDC (low level)
Inductive	1A @ 28VDC
DWV	1050Vrms
Low Level	10mA Resistive @ 5VDC
Electrical Life:	100,000 cycles 1A Inductive @ 28VDC
Lever Travel:	15° max from center OFF
Seal:	IP64 or IP68S or MIL-PRF-8805 Design 3
Operating Temp Range:	-55°C to +85°C
Operating Force:	16 oz +/- 6 oz
Lever Pivot & Stop Strength:	Switch is capable of withstanding a force of 25.0 lbs. applied to the actuating button. The button also withstands 15.0 lbs. minimum pull force.

MATERIALS:

Case:	Aluminum alloy or thermoplastic
Button:	Thermoplastic
Terminals:	Silver over brass Gold over silver over brass for low level
Terminal Hardware:	None provided
Mounting Hardware:	Hex nut and tooth lockwasher

T1 MINI TRIM PART NUMBER CODE

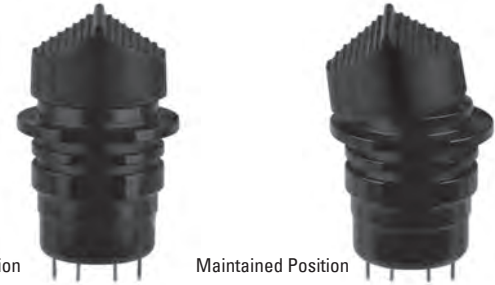


T1 Mini Trim Button Styles are shown on page 200 and in the appendix.

T1-T MINI TRIM SWITCHES

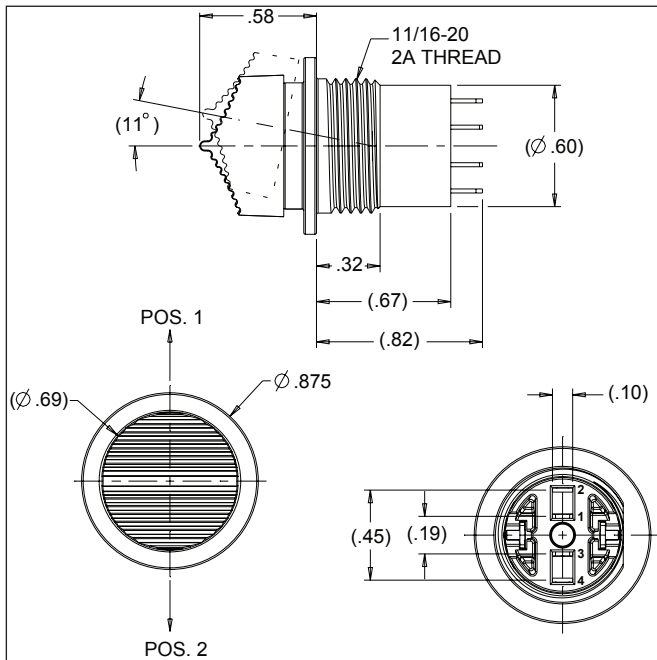
2-WAY MINI TRIM, COMMERCIAL GRADE

The T1-T Mini Trim is a latching, single pole, single throw, center off, momentary/maintained action contact switch. The T1-T has an 11/16" threaded case making it ideal for panel or control grip mounting. The switch provides a 2-way momentary/maintained toggle action with a positive click action. Four switch action/circuit options provide you with the choice you need for your application in aerospace, off-highway and all other demanding applications.



Center Off Position

Maintained Position



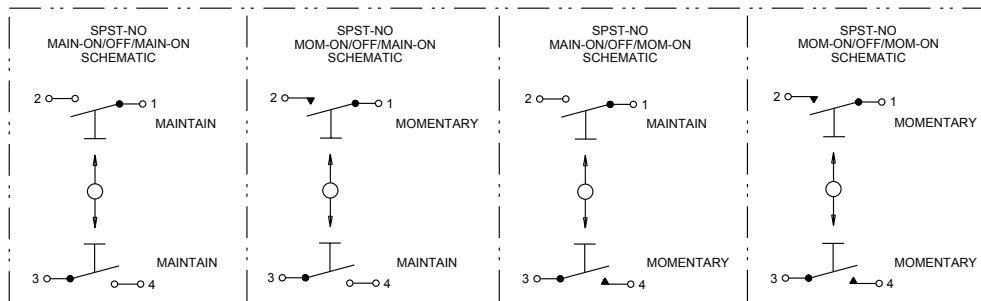
Standard Characteristics/Ratings:

ELECTRICAL RATINGS:

Load	Sea Level @ 28VDC
Resistive	2A
Inductive	1A
DWV	1050Vrms
Low Level	10mA @ 30mV
Electrical Life:	100,000 cycles
Mechanical Life:	100,000 cycles
Seal:	Water resistant per MIL-STD-810F, method 506.4, procedure 3 (drip)
Operating Temp Range:	-55°C to +85°C
Pretravel:	9.5° max
Overtravel:	1.5° min
Return Point:	4° min
Operating Force:	1.00 ± 0.50 to make contact in momentary position 0.90 ± 0.45 to make contact in maintained position 0.45 ± 0.30 to return to neutral position from maintained position

MATERIALS:

Case:	Anodized aluminum
Button:	Thermoplastic
Mounting Hardware:	Hex nut and lockwasher



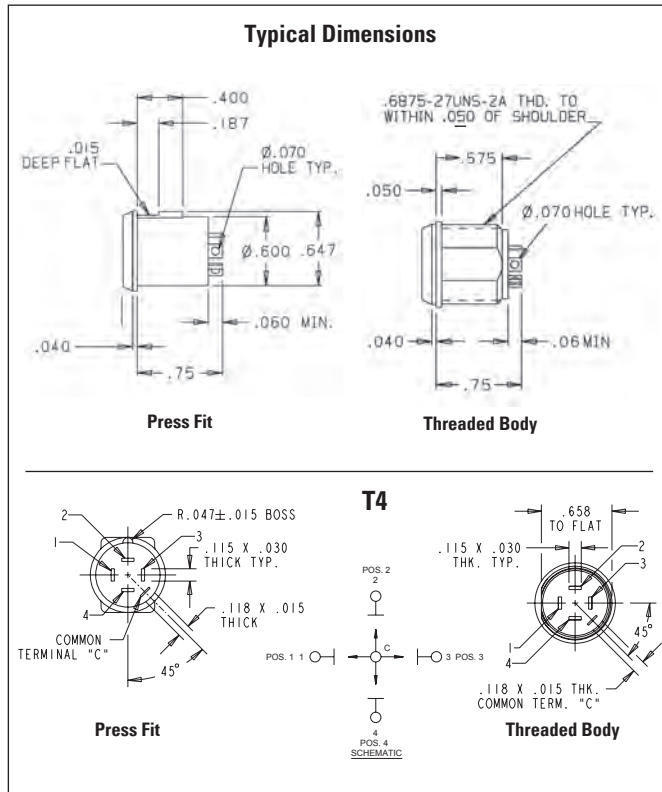
T1-T MINI TRIM PART NUMBER CODE

T1-T	-	X	X	X	X	X	*
Series	Grade	Switch Action/Circuit		Case Style	Current Rating	Button Color	Not Used
T1-T-2-Way	C. Commercial	A. MAIN-ON / OFF / MAIN-ON B. MOM-ON / OFF / MAIN-ON C. MAIN-ON / OFF / MOM-ON D. MOM-ON / OFF / MOM-ON		1. Threaded with D-Flat, Black 2. Threaded with Double D-Flat, Black 3. Threaded with D-Flat, Clear 4. Threaded with Double D-Flat, Clear	1. Standard 2. Low Level	1. Red 2. Black 8. Gray	Leave Blank

T4 MINI TRIM SWITCHES

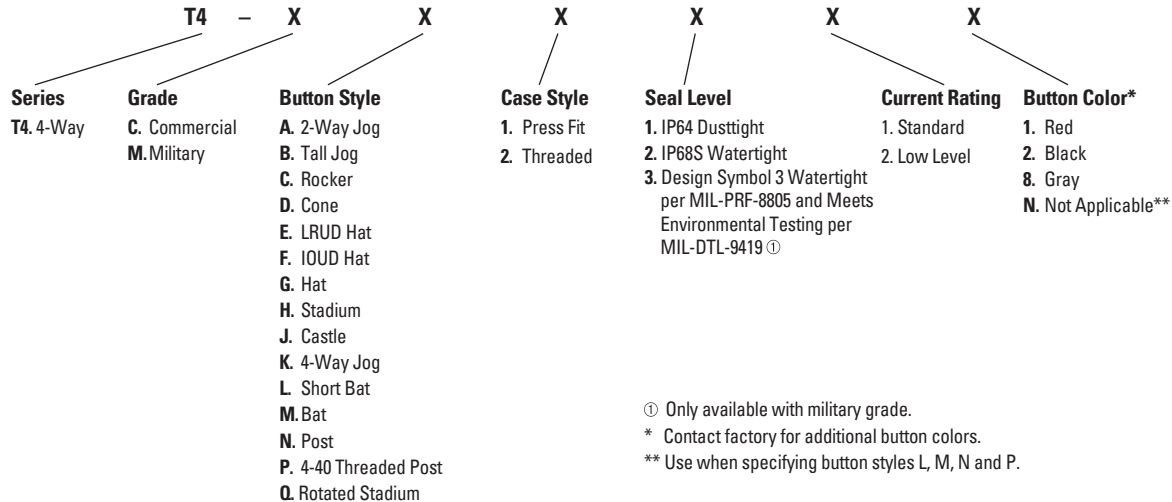
4-WAY MINI TRIM, COMMERCIAL & MILITARY GRADES

The T4 Mini Trim is a single pole, 4 throw, center off, momentary contact (self return to center off). Numerous button styles are available on both the Commercial and Military grade switch versions. Mini Trims are typically press fit into control grips or panel mounted using versions with an 11/16" threaded case. Mini Trims are also available with multiple sealing levels to fit all applications.



Standard Characteristics/Ratings:	
ELECTRICAL RATINGS:	
Load	Rating
Resistive	10mA @ 5VDC (low level)
Inductive	1A @ 28VDC
DWV	1050Vrms
Low Level	10mA Resistive @ 5VDC
Electrical Life:	100,000 cycles 1A Inductive @ 28VDC
Lever Travel:	15° max from center OFF
Seal:	IP64 or IP68S or MIL-PRF-8805 Design 3
Operating Temp Range:	-55°C to +85°C
Operating Force:	16 oz +/- 6 oz
Lever Pivot & Stop Strength:	Switch is capable of withstanding a force of 25.0 lbs. applied to the actuating button. The button also withstands 15.0 lbs. minimum pull force.
MATERIALS:	
Case:	Aluminum alloy or thermoplastic
Button:	Thermoplastic
Terminals:	Silver over brass Brass with gold over silver for low level
Terminal Hardware:	None provided
Mounting Hardware:	Hex nut, tooth lockwasher, panel seal gasket where applicable

T4 MINI TRIM PART NUMBER CODE



T4 Mini Trim Button Styles are shown on page 200 and in the appendix.

T4-T TACTILE MINI TRIM

MT
T4-T TACTILE
MINI TRIM

4-WAY MOMENTARY TOGGLE WITH TACTILE RESPONSE

Tactile switches remain a favorite among design engineers because the positive detent indicates circuit transfer to the operator. The T4-T toggle switch provides a 4-way momentary toggle action with detent providing a positive click action. The T4-T series provides Commercial and Military grade switching with a positive click action, ideal for grip applications in aircraft and off-road equipment.

Features:

- Positive detent
- 4-way momentary toggle action
- Positive click action
- Low level switching
- Water resistant per MIL-STD-810F; method 506.4, procedure 3 (drip)
- Available in Commercial & Military grades
- Variety of button styles & colors available
- RoHS/WEEE/Reach compliant



Standard Characteristics/Ratings:

ELECTRICAL RATINGS:

Load	Sea Level @ 28VDC
Resistive	2A
Inductive	1A
DWV	1050Vrms
Low Level	10mA @ 30mV

Electrical Life: 100,000 cycles

Mechanical Life: 500,000 cycles

Seal: Water resistant per MIL-STD-810F, method 506.4, procedure 3 (drip)

Operating Temp Range: -55°C to +85°C

Operating Force: 0.75 lb. +/- 0.25 lb.

Overtravel: 1.5° min

Pretravel: 9.5° max

Return Point: 4° min

MATERIALS:

Case: Thermoplastic

Button: Thermoplastic

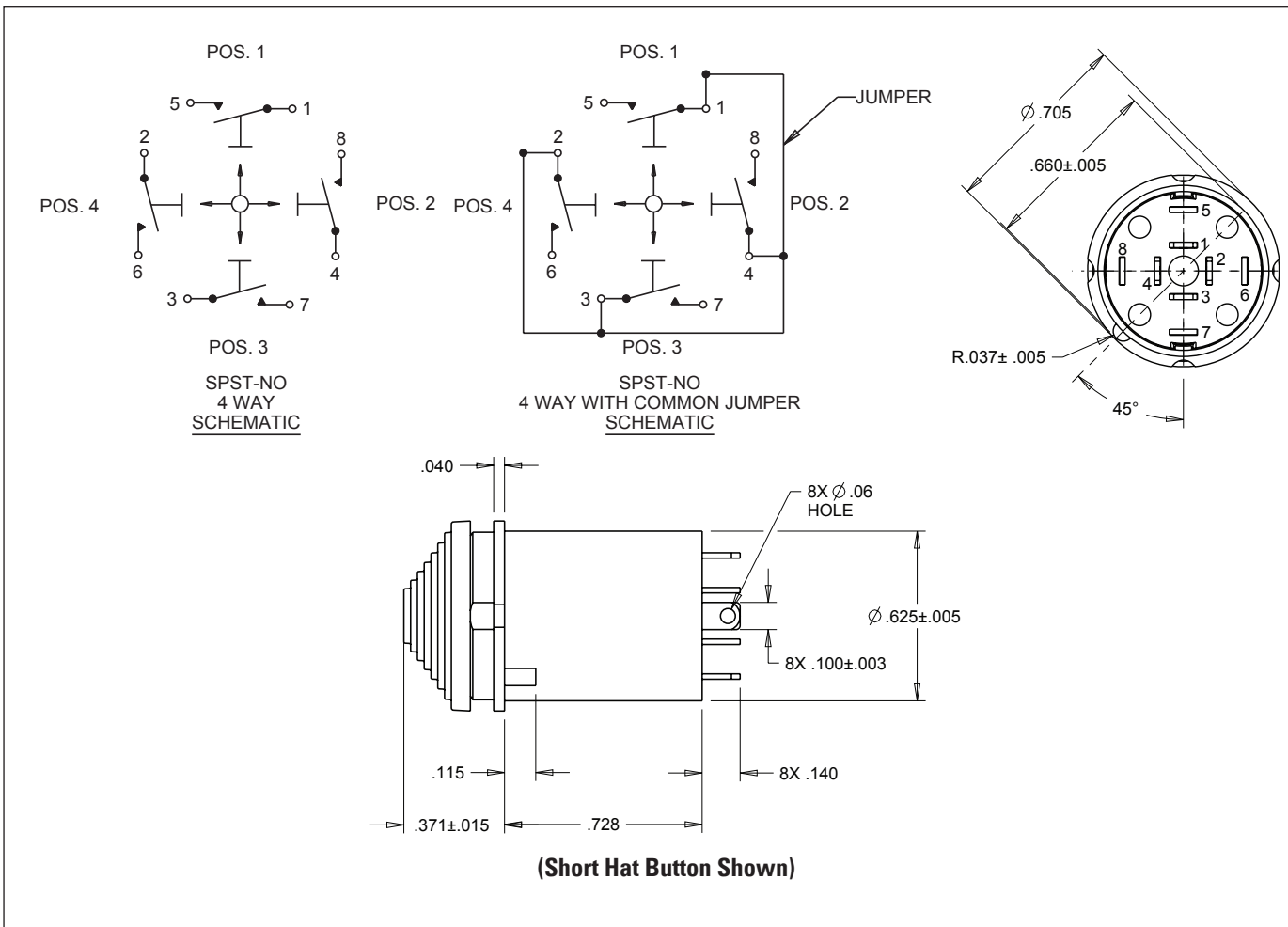
Terminals: Copper or brass

Gold over silver for low level

Mounting Hardware: None provided

T4-T TACTILE MINI TRIM

4-WAY MOMENTARY TOGGLE WITH TACTILE RESPONSE



T4-T PART NUMBER CODE

T4-T	X	X	X	X	X
Series	Grade	Button Style*	Case Style	Seal	Current Rating
T4-T 4-Way	C. Commercial M. Military	A. 2-Way Jog B. Tall Jog C. Rocker D. Cone E. LRUD Hat F. IOUD Hat G. Hat H. Stadium J. Castle K. 4-Way Jog L. Inverse Hat M. Tall Hat N. Short Hat P. Rotated Stadium	3. Press Fit	3. Water Resistant	1. Standard 2. Low Level 3. Standard With Internal Jumper 4. Low Level With Internal Jumper
					Button Color*
					1. Red 2. Black 8. Gray

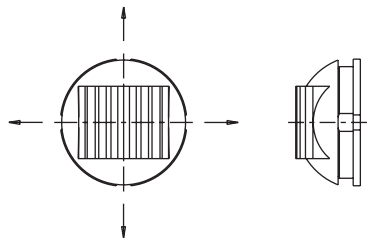
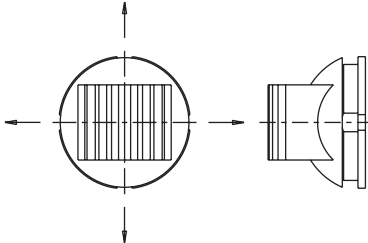
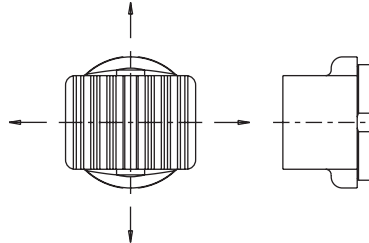
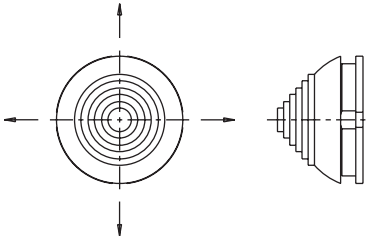
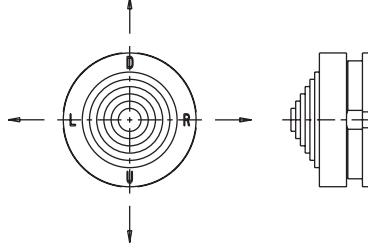
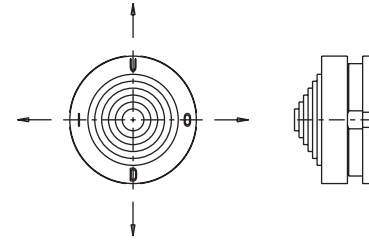
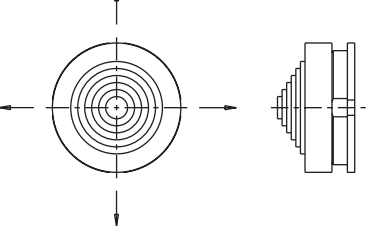
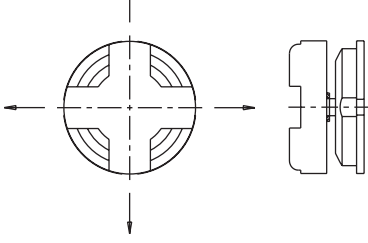
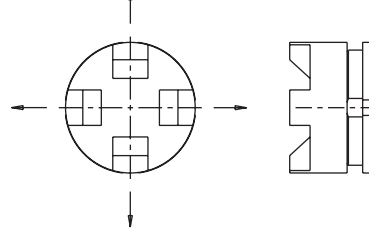
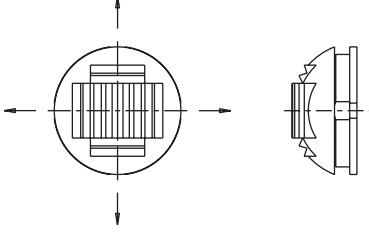
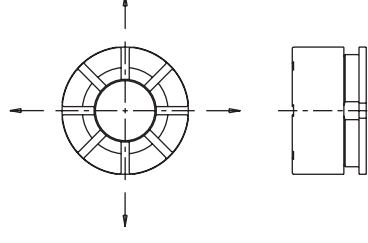
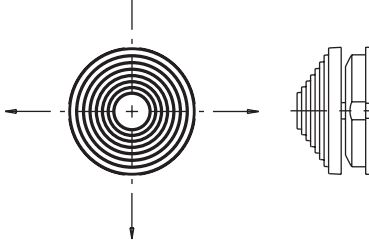
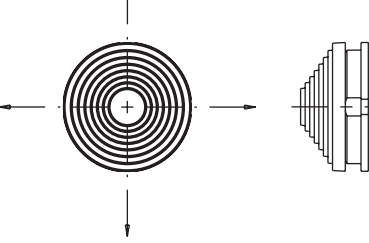
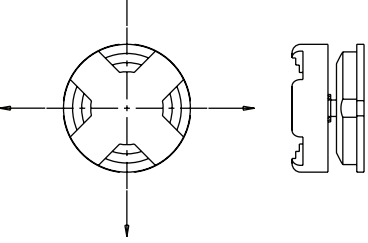
*Contact factory for additional colors.

*T4-T button styles shown on next page.

T4-T TACTILE MINI TRIM

MT
T4-T TACTILE
MINI TRIM

4-WAY MOMENTARY TOGGLE WITH TACTILE RESPONSE

<p>A - 2-WAY JOG</p> 	<p>B - TALL JOG</p> 	<p>C - ROCKER</p> 
<p>D - CONE</p> 	<p>E - LRUD HAT</p> 	<p>F - IOUD HAT</p> 
<p>G - HAT</p> 	<p>H - STADIUM</p> 	<p>J - CASTLE</p> 
<p>K - JOG</p> 	<p>L - INVERSE HAT</p> 	<p>M - 4-WAY TALL HAT</p> 
<p>N - 4-WAY SHORT HAT</p> 	<p>P - STADIUM ROTATED</p> 	

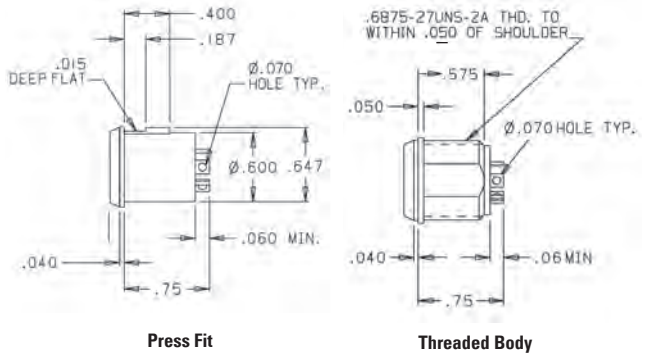
T5 MINI TRIM SWITCHES

4-WAY PLUS CENTER PUSHBUTTON MINI TRIM, COMMERCIAL & MILITARY GRADES

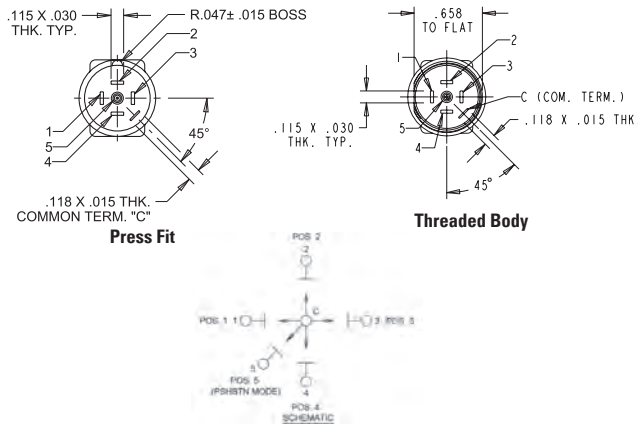
The T5 Mini Trim is a single pole, 5 throw Center off momentary contact (self return to center off) switch. Numerous button styles are available on both the Commercial and Military grade switch versions. Mini Trims are typically press fit into control grips or panel mounted using versions with an 11/16" threaded case. Mini Trims are also available with multiple sealing levels to fit all applications.



Typical Dimensions



T5



Standard Characteristics/Ratings:

ELECTRICAL RATINGS:

Load	Rating
Resistive	10mA @ 5VDC (low level)
Inductive	1A @ 28VDC
DWV	1050Vrms
Low Level	10mA Resistive @ 5VDC

Electrical Life: 100,000 cycles 1A Inductive @ 28VDC

Lever Travel: Toggle: 15° max from center OFF
Pushbutton: 0.020 inches min

Seal: IP64 or IP68S or MIL-PRF-8805 Design 3

Operating Temp Range: -55°C to +85°C

Operating Force: Toggle: 16 oz +/- 6 oz
Pushbutton: 5.0 lbs. max

Lever Pivot & Stop Strength: Switch is capable of withstanding a force of 25.0 lbs. applied to the actuating button. The button also withstands 15.0 lbs. minimum pull force.

MATERIALS:

Case: Aluminum alloy or thermoplastic

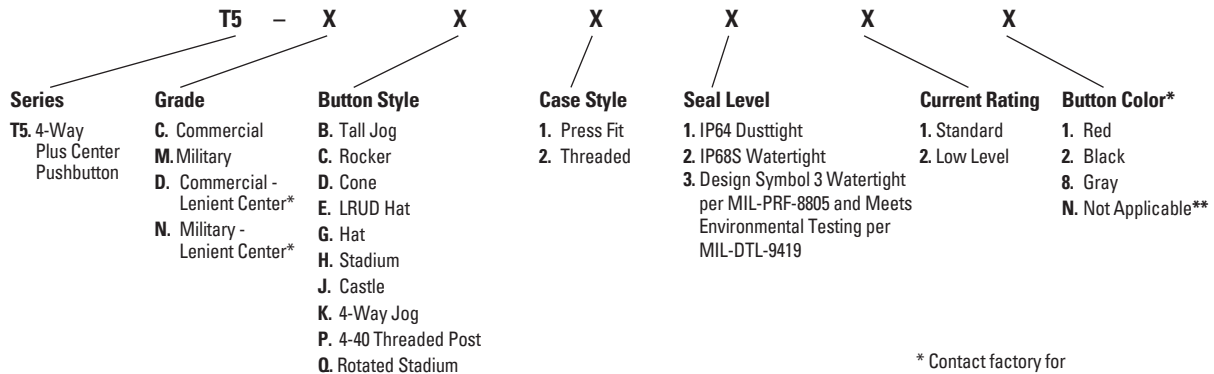
Button: Thermoplastic

Terminals: Silver over brass
Brass with gold over silver for low level

Terminal Hardware: None provided

Mounting Hardware: Hex nut, tooth lockwasher, panel seal gasket where applicable

T5 MINI TRIM PART NUMBER CODE



* Wider angle of operation for center pushbutton.

**Use when specifying Button Style P

T5 Mini Trim Button Styles are shown on page 200 and in the appendix.

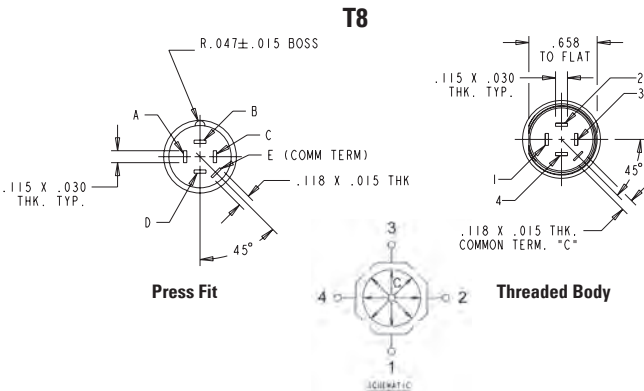
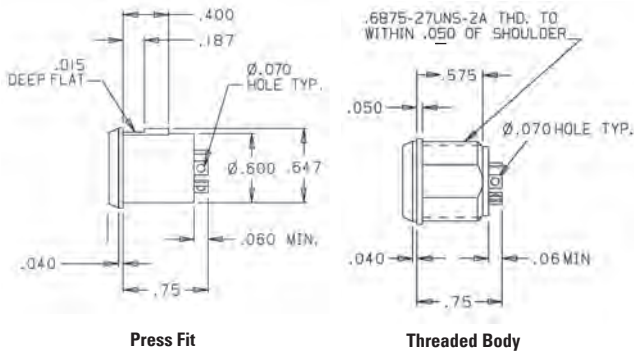
* Contact factory for additional button colors.

T8 MINI TRIM SWITCHES

8-WAY MINI TRIM, COMMERCIAL & MILITARY GRADES

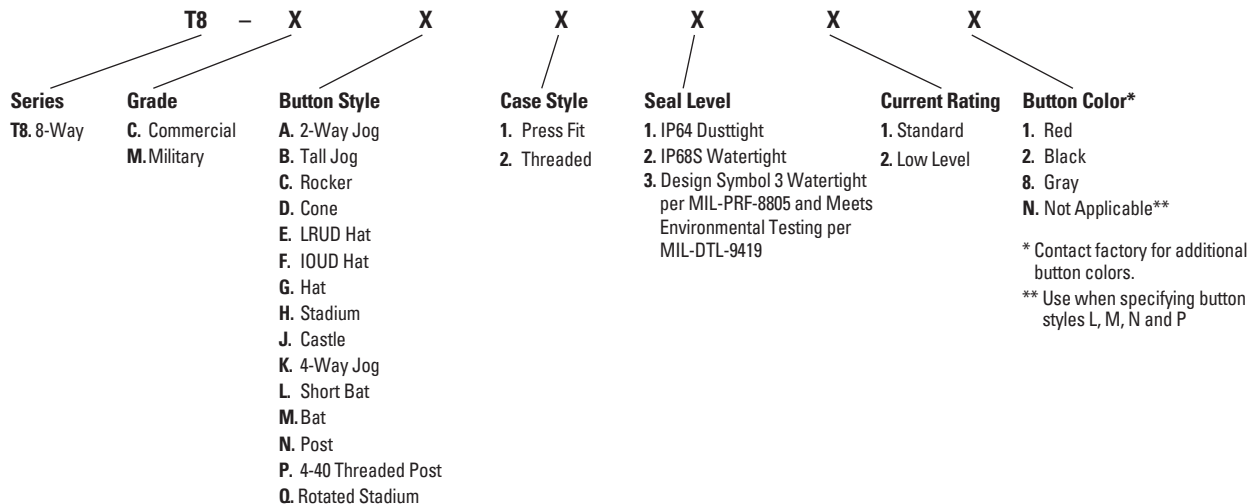
The T8 Mini Trim is a single pole, 8 throw, center off momentary contact (self return to center off) switch. Numerous button styles are available on both the Commercial and Military grade switch versions. Mini Trims are typically press fit into control grips or panel mounted using versions with an 11/16" threaded case. Mini Trims are also available with multiple sealing levels to fit all applications.

Typical Dimensions



Standard Characteristics/Ratings:	
ELECTRICAL RATINGS:	
Load	Rating
Resistive	10mA @ 5VDC (low level)
Inductive	1A @ 28VDC
DWV	1050Vrms
Low Level	10mA Resistive @ 5VDC
Electrical Life:	100,000 cycles 1A Inductive @ 28VDC
Lever Travel:	Toggle: 15° max from center OFF
Seal:	IP64 or IP68S or MIL-PRF-8805 Design 3
Operating Temp Range:	-55°C to +85°C
Operating Force:	Toggle: 16 oz +/- 6 oz
Lever Pivot & Stop Strength:	Switch is capable of withstanding a force of 25.0 lbs. applied to the actuating button. The button also withstands 15.0 lbs. minimum pull force.
MATERIALS:	
Case:	Aluminum alloy or thermoplastic
Button:	Thermoplastic
Terminals:	Silver over brass Brass with gold over silver for low level
Terminal Hardware:	None provided
Mounting Hardware:	Hex nut, tooth lockwasher, panel seal gasket where applicable

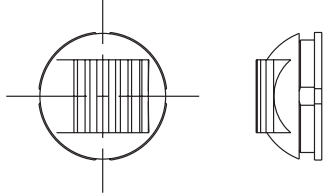
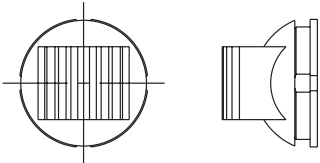
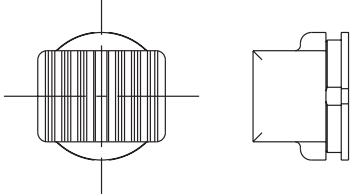
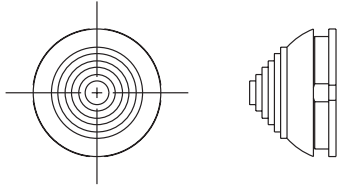
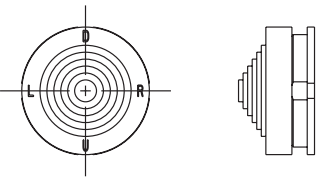
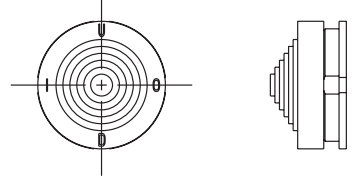
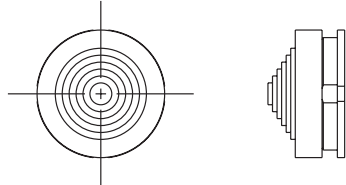
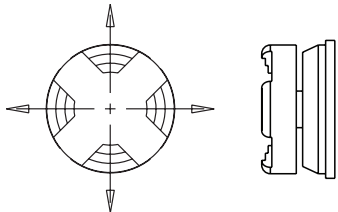
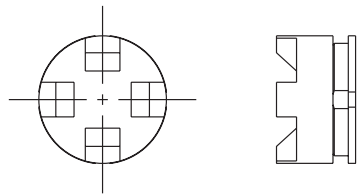
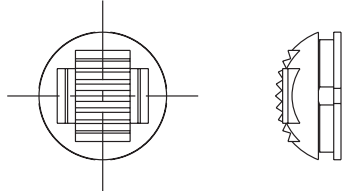
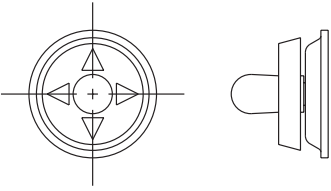
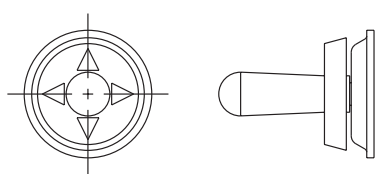
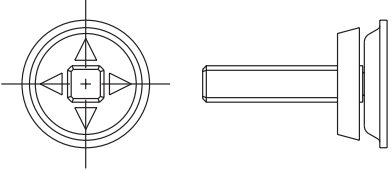
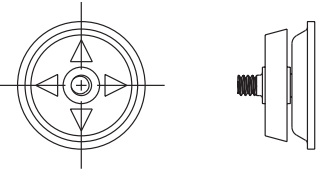
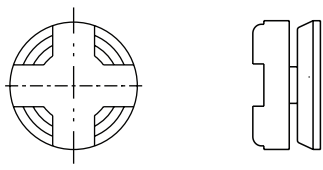
T8 MINI TRIM PART NUMBER CODE



T8 Mini Trim Button Styles are shown on page 200 and in the appendix.

MINI TRIM BUTTON STYLES

T1, T4, T5 AND T8 MINI TRIM BUTTON STYLES

<p>A - 2-WAY JOG</p> 	<p>B - TALL JOG</p> 	<p>C - ROCKER</p> 
<p>D - CONE</p> 	<p>E - LRUD HAT</p> 	<p>F - IOUD HAT</p> 
<p>G - HAT</p> 	<p>H - STADIUM</p> 	<p>J - CASTLE</p> 
<p>K - 4-WAY JOG</p> 	<p>L - SHORT BAT</p> 	<p>M - LONG BAT</p> 
<p>N - POST</p> 	<p>P - 4-40 THREADED POST</p> 	<p>Q - ROTATED STADIUM</p> 

T8-T TACTILE MINI TRIM

8-WAY MOMENTARY TOGGLE WITH TACTILE RESPONSE

Tactile switches remain a favorite among design engineers because the positive detent indicates circuit transfer to the operator. The T8-T toggle switch provides an 8-way momentary toggle action with detent providing a positive click action. The T8-T series provides Commercial and Military grade switching with a positive click action, ideal for grip applications in aircraft and off-road equipment.

Features:

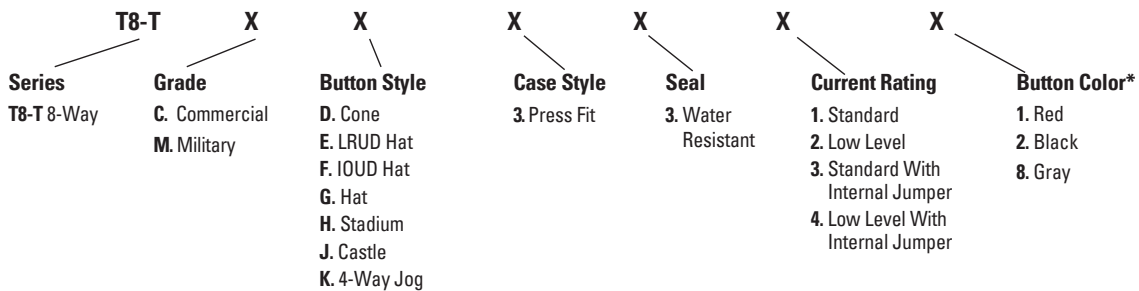
- Positive detent
- 8-way momentary toggle action
- Positive click action
- Low level switching
- Available in Commercial & Military grades
- Variety of button styles & colors available
- RoHS/WEEE/Reach compliant
- Water resistant per MIL-STD-810F; method 506.4, procedure 3 (drip)



Castle Button Style

Standard Characteristics/Ratings:	
ELECTRICAL RATINGS:	
Load	Sea Level @ 28VDC
Resistive	2A
Inductive	1A
DWV	1050Vrms
Low Level	10mA @ 30mV
Electrical Life:	30,000 cycles
Mechanical Life:	150,000 cycles
Seal:	Water resistant per MIL-STD-810F, method 506.4, procedure 3 (drip)
Operating Temp Range:	-55°C to +85°C
Operating Force:	0.75 lb. +/- 0.25 lb.
Overtravel:	1.5° min
Pretravel:	9.5° max
Return Point:	4° min
MATERIALS:	
Case:	Thermoplastic
Button:	Thermoplastic
Terminals:	Beryllium copper or brass Gold over silver for low level
Mounting Hardware:	None provided

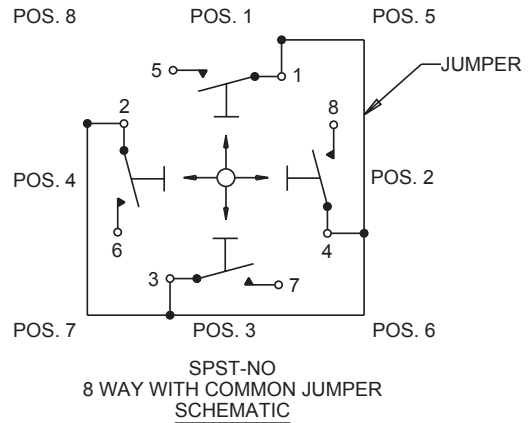
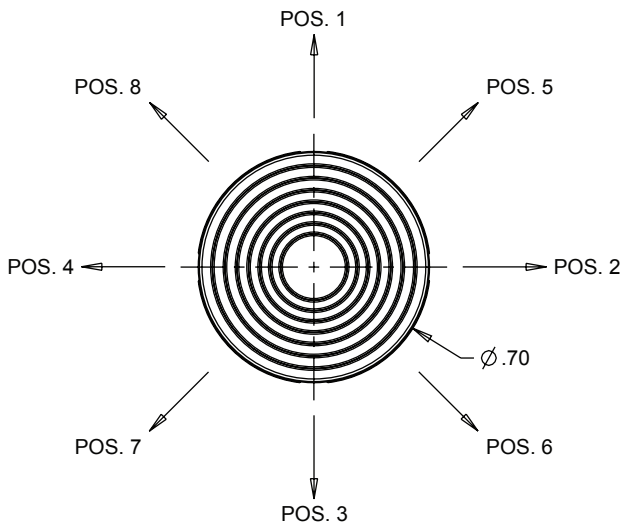
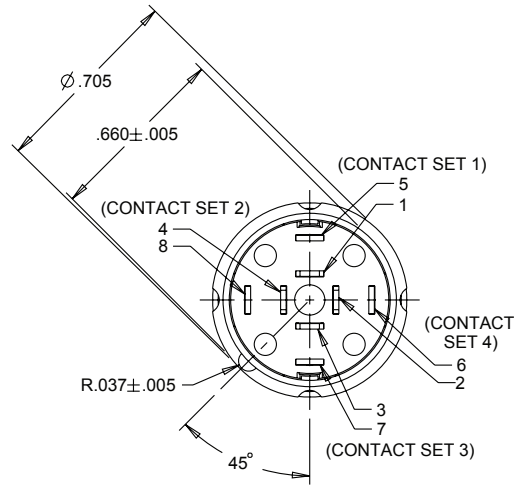
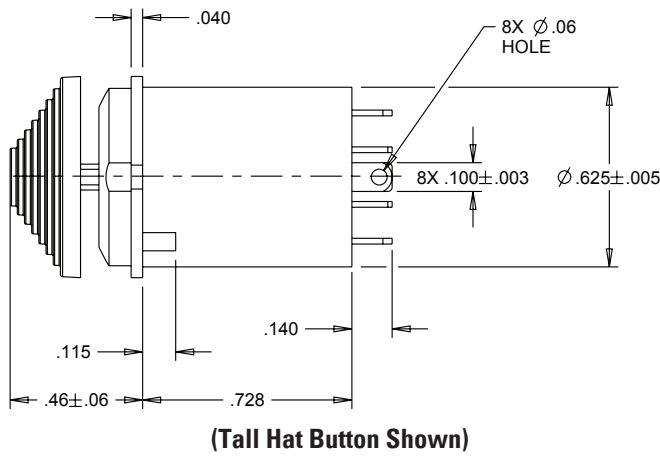
T8-T PART NUMBER CODE



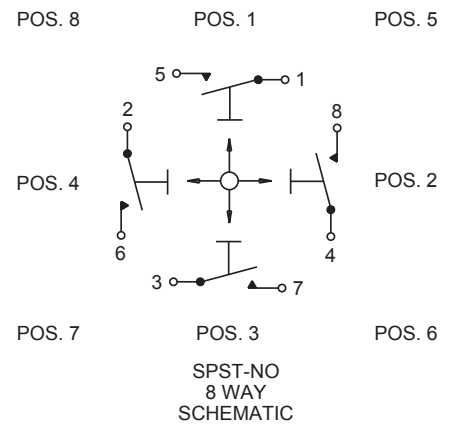
*Contact factory for additional colors.

T8-T TACTILE MINI TRIM

8-WAY MOMENTARY TOGGLE WITH TACTILE RESPONSE



BUTTON POSITION/SWITCH ACTION (ALL MOMENTARY CONTACTS - ALL OTHER CONTACT SETS NOT SHOWN ARE OPEN)				
BUTTON POSITION	CONTACT SET 1	CONTACT SET 2	CONTACT SET 3	CONTACT SET 4
1	5 —○→ ● —○ 1			
2		8 —○→ ● —○ 4		
3			7 —○→ ● —○ 3	
4				6 —○→ ● —○ 2
5	5 —○→ ● —○ 1	8 —○→ ● —○ 4		
6		8 —○→ ● —○ 4	7 —○→ ● —○ 3	
7			7 —○→ ● —○ 3	6 —○→ ● —○ 2
8	5 —○→ ● —○ 1			6 —○→ ● —○ 2



TWO-WAY MOMENTARY TRIMS WITH TACTILE RESPONSE



OTTO's Split Trim switch uses 2 single-pole-single-throw momentary toggles with detent providing a positive click action. Each two-way switch can operate independently or simultaneously. OTTO's Split Trim switches are available in both commercial and military grades and are most ideal for applications in aircraft, but can also be used in medical, unmanned vehicle, construction and agricultural equipment.

Features:

- Tactile Feedback
- 2-way momentary actuation of each switch
- Low level switching option
- Water resistant per MIL-STD-810F; method 506.4, procedure 3 (drip)
- Available in Commercial & Military grades
- Choice of button colors
- Choice of case styles
- RoHS/WEEE/Reach compliant

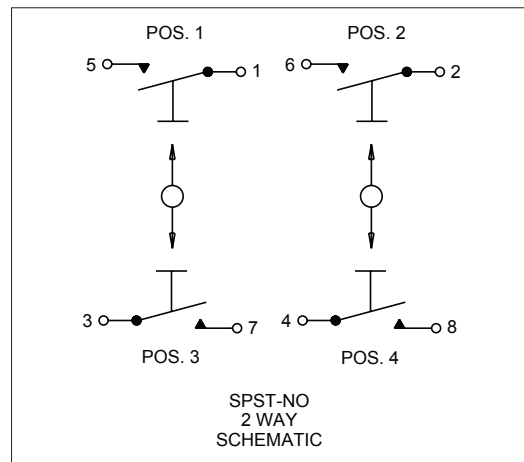
Standard Characteristics/Ratings:

ELECTRICAL RATINGS:

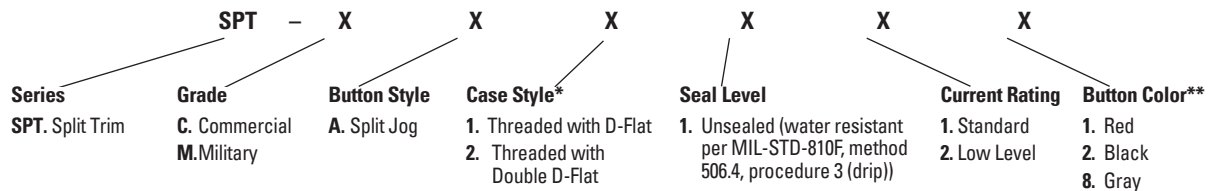
Load	Sea Level @ 28VDC
Resistive	2A
Inductive	1A
DWV	1050Vrms
Low Level	10mA @ 30mV
Electrical Life:	150,000 cycles commercial, 100,000 cycles military
Mechanical Life:	200,000 cycles
Seal:	Water resistant per MIL-STD-810F, method 506.4 procedure 3 (drip)
Operating Temp Range:	-40°C to +85°C
Operating Force:	0.75 +/- 0.25 lbs.
Return Point:	4° minimum
Pretravel:	9.5° maximum
Overtravel:	1.5° minimum

MATERIALS:

Case:	Black Anodized Aluminum
Button:	Delrin
Terminals:	Beryllium copper or brass Gold over silver for low level
Terminal Hardware:	None provided
Mounting Hardware:	Hex nut and lockwasher



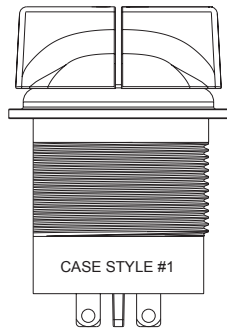
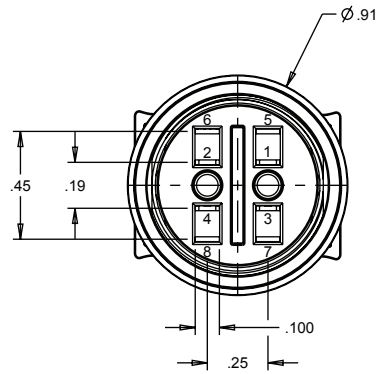
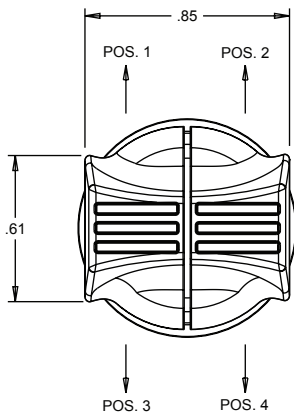
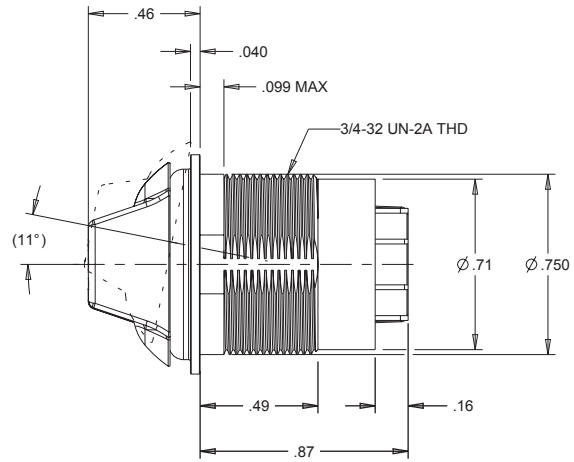
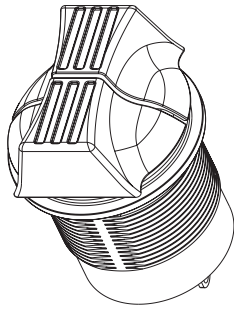
SPLIT TRIM PART NUMBER CODE



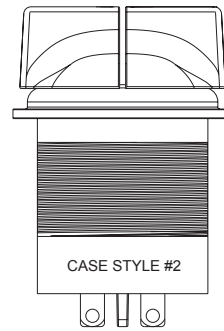
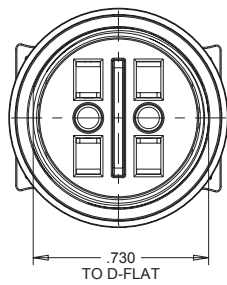
*Contact factory for press fit case.

**Additional button colors are available.

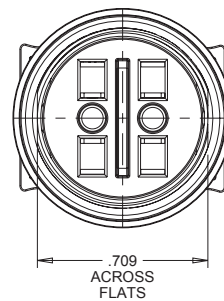
TWO-WAY MOMENTARY TRIMS WITH TACTILE RESPONSE



Single D-Flat



Double D-Flat



LARGE TRIM, 2-WAY PUSHBUTTON

T2
PUSHBUTTON
TOGGLES

MULTI-POSITION TOGGLE PLUS PUSHBUTTON, COMMERCIAL & MILITARY GRADES

The T2 series provides two functions in one compact switch: toggle and pushbutton action. Features toggle lockout when pushbutton mode is actuated and pushbutton lockout when in toggle mode. A resilient seal in the plunger provides splashproof and dusttight seal.

T2-0004

Operating Force: 24 +/- 10 oz
Circuit: DPDT-NO, ON-OFF-ON
 No pushbutton function
Rating: 5 amps Resistive
 3 amps Inductive
 1 amp Lamp
 Low Level: 2mA @ 15VDC
Mechanical Life: 100,000 cycles
Electrical Life: 100,000 cycles
Seal: Enclosure Design 4, resilient per MIL-PRF-8805
Button: Gray thermoplastic
Case: Black anodized aluminum



T2-0034

Operating Force: Toggle: 2.5 lbs.
 Pushbutton: 4.5 lbs.
Circuit: Toggle: SPST-NO, ON-OFF-ON
 Pushbutton: SPNO double break
Rating: 1A to 50mA Resistive @ 4-28VDC
Electrical Life: 100,000 cycles
Seal: Enclosure Design 2, dusttight per MIL-PRF-8805
Button: Gray nylon
Case: Black anodized aluminum alloy



T2-0008

Operating Force: Toggle: 2.5 lbs.
 Pushbutton: 4.5 lbs.
Circuit: Toggle: SPST-NO, ON-OFF-ON
 Pushbutton: DPST-NO double break
Rating: Toggle: 10 amps Resistive / 5 amps Inductive
 Pushbutton: 10 amps Resistive / 3 amps Inductive
Electrical Life: 50,000 cycles
Button: Black nylon
Case: Black anodized aluminum



T2-0018

Operating Force: Toggle: 2.5 lbs.
 Pushbutton: 4.5 lbs.
Circuit: Toggle: SPST-NO, ON-OFF-ON
 Pushbutton: DPST-NO double break
Rating: 1 amp Resistive
 0.5 amp Inductive
Electrical Life: 50,000 cycles
Seal: Enclosure Design 4, resilient per MIL-PRF-8805
Button: Black nylon
Case: Black anodized aluminum alloy



T2-0009

Operating Force: Toggle: 2.5 lbs.
 Pushbutton: 4.5 lbs.
Circuit: Toggle: SPST-NO, ON-OFF-ON
 Pushbutton: DPST-NO double break
Rating: Toggle: 10 amps Resistive / 5 amps Inductive
 Pushbutton: 10 amps Resistive / 3 amps Inductive
Electrical Life: 50,000 cycles
Seal: Enclosure Design 4, resilient per MIL-PRF-8805
Button: Black nylon
Case: Black anodized aluminum alloy



T2-0047

Operating Force: Toggle: 2.5 lbs.
 Pushbutton: 4.5 lbs.
Circuit: Toggle: SPST-NO, ON-OFF-ON
 Pushbutton: DPST-NO double break
Rating: 0.1mA to 500mA Resistive @ 5-32VDC
 0.1mA to 500mA Inductive @ 5-32VDC
Electrical Life: 50,000 cycles
Seal: Enclosure Design 4, resilient per MIL-PRF-8805
Button: Black nylon
Case: Dry black chrome plated aluminum alloy



T2-0015

Operating Force: Toggle: 5.0 lbs.
 Pushbutton: 4.0 lbs.
Circuit: Toggle: SPST-NO, 4-position, center OFF, momentary
 Pushbutton: DPST-NO
Rating: 2 amps Resistive
 2 amps Inductive
Electrical Life: 50,000 cycles
Seal: Enclosure Design 4, resilient per MIL-PRF-8805
Button: Black nylon
Case: Black anodized aluminum alloy



T2-0044

Operating Force: Toggle: 2.5 lbs.
 Pushbutton: 3.75 lbs.
Circuit: Toggle: DPST-NO, ON-OFF-ON
 Pushbutton: DPST-NO double break
Rating: 0.1mA to 500mA Resistive @ 5-32VDC
 0.1mA to 500mA Inductive @ 5-32VDC
Electrical Life: 50,000 cycles
Seal: Enclosure Design 2, dusttight per MIL-PRF-8805
Button: Black nylon
Case: Dry black chrome plated aluminum alloy



T2-0016

Operating Force: Toggle: 2.5 lbs.
 Pushbutton: 4.5 lbs.
Circuit: Toggle: SPST-NO, ON-OFF-ON
 Pushbutton: DPST-NO
Rating: 1mA to 250mA Resistive @ 12-28VDC
Electrical Life: 50,000 cycles
Seal: Enclosure Design 4, resilient per MIL-PRF-8805
Button: Black nylon
Case: Black anodized aluminum alloy



T2-0045

Operating Force: Toggle: 2.5 lbs.
 Pushbutton: 4.5 lbs.
Circuit: Toggle: SPST-NO, ON-OFF-ON
 Pushbutton: DPST-NO double break
Rating: 1mA to 250mA Resistive @ 12-28VDC
Electrical Life: 50,000 cycles
Seal: Enclosure Design 4, dusttight per MIL-S-8805
Button: Black nylon
Case: Black anodized aluminum alloy



4-WAY TOGGLE SWITCHES WITH OR WITHOUT CENTER PUSHBUTTON

T4-0010

Actuation: Center position maintained, all other positions momentary

Rating: 5 amps Resistive @ 30VDC sea level
3 amps Inductive @ 30VDC sea level
DWW: 1050Vrms @ sea level
400Vrms @ 70,000 feet

Electrical Life: 100,000 cycles

Enclosure: Dusttight per MIL-PRF-8805 Design 2

Button: Black thermoplastic

Case: Black anodized aluminum alloy



T5-0004

Actuation: Toggle & Pushbutton: center position maintained, all other positions momentary

Rating: 2 amps Resistive @ 28VDC or 115VAC/60Hz
DWW: 1050Vrms

Electrical Life: 50,000 cycles

Enclosure: Dusttight per MIL-PRF-8805 Design 2

Button: Black nylon

Case: Black anodized aluminum alloy



T4-0065

Actuation: Center position maintained, all other positions momentary

Rating: 5 amps Resistive @ 30VDC sea level
2.5 amps Resistive @ 70,000 feet
3 amps Inductive @ 30VDC sea level
1.5 amps Inductive @ 70,000 feet
DWW: 1050Vrms @ sea level
400Vrms @ 70,000 feet

Electrical Life: 100,000 cycles

Enclosure: Dusttight per MIL-PRF-8805 Design 2

Button: Black nylon

Case: Black anodized aluminum alloy



T5-0015

Actuation: Toggle & Pushbutton: center position maintained, all other positions momentary

Rating: 2 amps Resistive @ 28VDC or 115VAC/60Hz
DWW: 1050Vrms

Electrical Life: 50,000 cycles

Enclosure: Dusttight per MIL-PRF-8805 Design 2

Button: Gray thermoplastic



T4-0082

Actuation: Toggle: center position maintained, all other positions momentary

Rating: 5 amps Resistive @ 30VDC sea level
3 amps Inductive @ 30VDC sea level
DWW: 1050Vrms @ sea level

Electrical Life: 50,000 cycles

Enclosure: Resilient per MIL-PRF-8805 Design 4

Button: Black nylon

Case: Aluminum alloy



T5-0018

Actuation: Toggle & Pushbutton: center position maintained, all other positions momentary

Rating: 2 amps Resistive @ 28VDC or 115VAC/60Hz
DWW: 1050Vrms

Electrical Life: 50,000 cycles

Enclosure: Dusttight per MIL-PRF-8805 Design 2

Button: Black thermoplastic

Case: Black anodized aluminum alloy



T4-0111

Actuation: Toggle: center position maintained, all other positions momentary

Rating: 2 amps Resistive @ 28 VDC sea level
.5 amps Inductive @ 28 VDC sea level
DWW: 1050Vrms @ sea level

Electrical Life: 100,000 cycles, each direction

Enclosure: Dusttight per MIL-PRF-8805 Design 2

Button: Black Nylon

Case: Black anodized aluminum alloy



T5-0028

Actuation: Toggle & Pushbutton: center position maintained, all other positions momentary

Rating: 2 amps Resistive @ 28VDC or 115VAC/60Hz
DWW: 1050Vrms

Electrical Life: 50,000 cycles

Enclosure: Dusttight per MIL-PRF-8805 Design 2

Button: Black thermoplastic

Case: Black anodized aluminum alloy



NOTE: Contact factory for additional configurations.

Toggle Switches



SERIES	FEATURE	ACTUATION	MAX RATING (Resistive @ 28VDC)	SEAL RATING	MOUNTING	CIRCUITRY
T1	2 or 3 Position, 1 to 8 Poles, Lever Lock Option	Momentary, Maintained	8A	MIL-PRF-83731	15/32", 7/16" or 11/16" Threaded	Multi-Pole B2, B3 Basics
T3	Snap Action, Lever Lock Option	Momentary, Maintained	5A	MIL-PRF-83731 - 15/32" Threaded Only	15/32" or 1/4" Threaded	SPST, DPST
T7	Lower Cost, Sealed	Momentary, Maintained	16A	IP68S & IP69K	15/32" Threaded	SPST, SPDT DPST, DPDT
T9	High Performance Lever Lock Option	Momentary, Maintained	20A	IP68S or MIL-DTL-3950	15/32" Threaded	SPST, SPDT DPST, DPDT
TE	Snap Action, Non-Teasible	Momentary, Maintained	5A	MIL-DTL-8834	15/32" or 1/4" Threaded	SPST, DPST

PANEL SEALED PER MIL-PRF-83731

3-Position, 4 Pole, Lever Lock

Basic Switches: Per MIL-PRF-8805/101
Enclosure: Sealed per MIL-DTL-83731
Rating: 5 amps Resistive @ 28VDC
 1 amp Inductive @ 28VDC
 1 amp Lamp @ 28VDC
 2 amps Motor @ 28VDC
Action: Maintained
Cap: Nylon
Handle: Stainless steel

*Lever Lock configurations A thru P available.



T1-0438* T1-0434*

3-Position, 4 Pole with Phosphorescent Dot

Enclosure: Sealed per MIL-DTL-83731
Rating: 5 amp Resistive @ 28VDC
 2 amp Inductive @ 28VDC
Action: Maintained-momentary
Lever: Stainless steel with black chrome
Housing: Thermoplastic
Bushing: In accordance with MIL-DTL-3950
T1-0415



3-Position, 8 Pole, Lever Lock

Basic Switches: Per MIL-PRF-8805/101
Enclosure: Sealed per MIL-DTL-83731
Operating Force: 6.0 lbs. max
Rating: 5 amps Resistive @ 28VDC
 1 amp Inductive @ 28VDC
 1 amp Lamp @ 28VDC
 2 amps Motor @ 28VDC
Action: Maintained
Cap, Handle: Brass, dull nickel plate
Handle: Stainless steel
T1-0435*

*Lever Lock configurations A thru P available.



2-Position, 3 Pole, Lever Lock

Basic Switches: Per MIL-PRF-8805/101
Enclosure: Sealed per MIL-DTL-83731
Operating Force: 6.0 lbs. max
Rating: 5 amps Resistive @ 28VDC
 1 amp Inductive @ 28VDC
 1 amp Lamp @ 28VDC
 2 amps Motor @ 28VDC
Action: Maintained
Cap, Handle: Brass, dull nickel plate
Handle: Stainless steel
T1-0436*

*Available with lever lock configuration G only.



3-Position, 8 Pole

Rating: 5 amps Resistive @ 28VDC
 2 amps Inductive @ 28VDC
Action: Maintained
Cap: Brass, dull nickel plate
Handle: Stainless steel, dull nickel plate
Housing: Thermoplastic
Bushing: In accordance with MIL-DTL-3950
T1-0423



2-Position, 3 Pole, Lever Lock

Basic Switches: Per MIL-PRF-8805/101
Enclosure: Toggle seal per MIL-DTL-83731
Operating Force: 5.0 lbs. max
Rating: 150mA Resistive @ 28VDC
Mechanical Life: 100,000 cycles
Action: Maintained-maintained
Handle: Stainless steel, dull nickel plate
Cap, Handle: Brass, dull nickel plate
Bushing & Bracket: Stainless steel
T1-0081D*

*Lever Lock configurations D, F and G available.



2-Position, 2 Pole

Toggle Seal: Per MIL-DTL-83731
Basic Switch: Per MIL-PRF-8805/109 (except terminals)
Enclosure: Sealed per MIL-DTL-83731
Operating Force: 2.0 lbs. to 5.0 lbs. max
Rating: 1 amp Resistive @ 28VDC
 0.5 amp Inductive @ 28VDC
Action: Maintained-maintained
Bat, Handle, Bushing & Bracket: Stainless steel
T1-0051-1



3-Position, 8 Pole, "T" Lever Lock

Basic Switch: Per MIL-PRF-8805
Enclosure: Sealed per MIL-DTL-83731
Rating: 5 amps Resistive @ 28VDC
 1 amp Inductive @ 28VDC
 1 amp Lamp @ 28VDC
 2 amps Motor @ 28VDC
Action: Maintained
Bushing, Cap & Handle: Stainless steel
T1-0437*

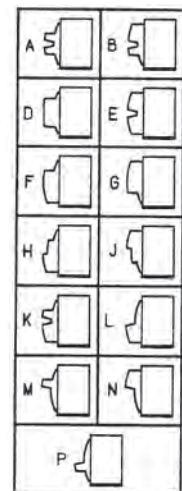
*Lever Lock configurations A thru P available.



Lever Lockout Configuration Codes

Figures A thru P are schematics to illustrate lockout configurations and momentary positions. They do not represent details of construction.

- A** Locked in all three positions
- B** Locked in Center and Keyway Side position
- D** Locked out of Center position
- E** Locked in Center position
- F** Locked in Opposite Keyway position
- G** Locked in Keyway Side position
- H** Locked out of Center and Keyway Side Position
- J** Locked out of Center and Opposite Keyway position
- K** Locked in Center and Opposite Keyway position
- L** Locked out of Keyway Side position
- M** Locked out of and into Opposite Keyway position
- N** Locked out of Opposite Keyway position
- P** Locked out of and into Keyway Side position



FEATURING B2 & B3 BASIC SWITCHES

3-Position, 6 Pole, Lever Lock

SPECIFICATIONS:

Position	Circuit	Force	Action
1	3PNO, 3PNC	Switch OFF	Maintained
2	6PNO	2.0 lbs. to 6.0 lbs.	Momentary
3	6PNC	2.0 lbs. to 6.0 lbs.	Locked

Basic Switches: Per MIL-PRF-8805/4 (except with integral lever)

Operating Force: 1.5 lbs. to 2.5 lbs.

Rating: 0.1mA to 1 amp Resistive @ 28VDC
0.5 amp Inductive @ 28VDC

Handle: Stainless steel, dull nickel plate

Cap, Handle: Brass, dull nickel plate

Bushing: Stainless steel with black oxide finish

Bracket: Stainless steel



T1-0125

3-Position, 3 Pole

SPECIFICATIONS:

Position	Actuation
Up	N.C., N.C., N.C.
Center	N.C., N.O., N.C.
Down	N.O., N.C., N.O.

Basic Switches: Per MIL-PRF-8805/4

Operating Force: 1.0 lb. to 5.0 lbs.

Rating: 0.5 amp Inductive @ 28VDC
300mA @ 5VDC Resistive
Higher ratings available

Mechanical Life: 25,000 cycles



T1-0041

3-Position, 6 Pole

SPECIFICATIONS:

Position	Circuit	Force	Action
1	3PNC, 3PNO	2.0 lbs. to 6.0 lbs.	Maintained
2	6PNC	N/A	N/A
3	3PNO, 3PNC	2.0 lbs. to 6.0 lbs.	Maintained

Rating: 1 amp Resistive @ 28VDC
0.5 amp Inductive @ 28VDC

Mechanical Life: 25,000 cycles

Bushing, Bracket & Lever: Stainless steel



T1-0050-1

Mounting Hardware

MILITARY P/N	OTTO P/N	BUSHING SIZE (inches)
KEYWAY WASHERS		
MS25081-C0	C710081-C0	0.250"
MS25081-C4	C710081-C4	0.469"
MS25081-C6	C710081-C6	0.625"
INTERNAL TOOTH LOCKWASHERS		
MS35333-135	C710333-135	0.250"
MS35333-136	C710333-136	0.469"
MS35333-138	C710333-138	0.625"
HEX NUTS—STANDARD		
MS25082-C14	C710082-C14	0.250-40
MS25082-C21	C710082-C21	0.469-32
MS25082-B11	C710082-B11	0.625-24
HEX NUTS—WIRE LOCKING		
MS21340-04	C710340-04	0.469-32
MS21340-05	C710340-05	0.625-24

All hardware is stainless steel except MS25082-B11 which is brass, black oxide plated.

FEATURING OTTO'S UNIQUE SNAP-ACTION MECHANISM

These miniature toggles are rugged, highly reliable switches offering positive detent action for safe switching operation. Featuring the unique OTTO snap-action switch mechanism in conjunction with a unique toggle actuator design, the T3 series offers snap-action contact actuation.

High contact pressure and superior wiping action of the OTTO design makes the T3 series an excellent choice for switching loads from logic level up to 5 amps.

Choose sealed one or two pole circuitry, 15/32-32 sealed or 1/4-40 unsealed bushing construction, momentary and/or maintained operation. The 15/32-32 bushing model is also available with lever lockout toggle feature or thumb button actuators.

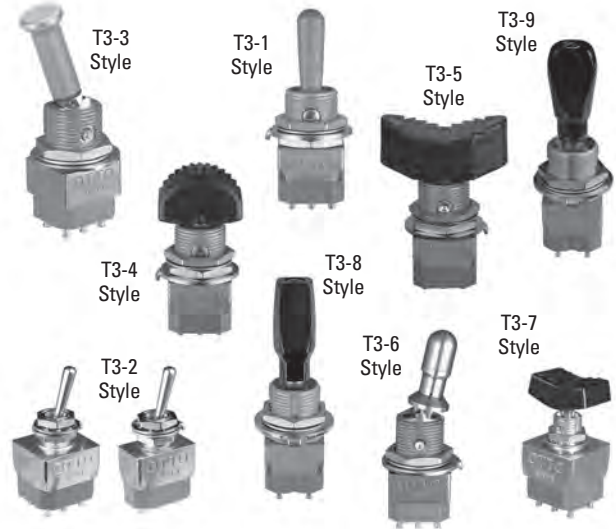
Molded-in terminals seal the contacts against moisture and solder flux wicking. The front-panel side of 15/32-32 bushing models are sealed against water and other liquids per MIL-DTL-83731.

In addition to the single turret solder terminal specified in MIL-DTL-83731, we also offer two different lengths of pins for printed circuit soldering.

Mounting hardware provided includes two hex nuts, one lockwasher and one keyway washer.

Features:

- Snap-action contact actuation
- Shorter behind panel depth
- Superior wiping action keeps contacts clean
- Positive tactile response prevents operating errors
- Weighs up to 25% less than competitive products
- More contact/terminal plating choices
- Highly reliable, simpler design, fewer parts
- Black matte finish available. Contact factory.
- RoHS/WEEE/Reach compliant



Standard Characteristics/Ratings:

ELECTRICAL RATINGS:

Load	Sea Level @ 28VDC or 115VAC, 400Hz	@ 65,000 Feet
Resistive	5A	5A
Inductive	2A	2A
Lamp	1A	N/A
DWV	1050Vrms	400Vrms

Electrical Life: 30,000 cycles

Mechanical Life: 100,000 cycles

Seal: MIL-DTL-83731 (15/32-32 bushing style only)

Operating Temp Range: -65°C to +85°C

MATERIALS:

Handle: 303 Stainless

Bushing: Per MIL-DTL-83731

Body: Per MIL-DTL-83731

Terminal Hardware: None required

Mounting Hardware: Hex nuts, lockwasher and keyway washer

T3 PART NUMBER CODE

T3	-	X	X	X	X	X	-	or	X	
Bushing Style		Terminal Style	Circuitry	Circuit Made With Lever At:			Contact Material		Lockout Feature	Button Color ②
1. 15/32-32		1. Single Turret	1. Single Pole	Keyway Side	Center	Opposite Keyway	1. Silver/Gold Flash	Lockout feature configuration code letters A-P for bushing styles 3 and 6 only. Otherwise omit.	1. Red	
2. 1/4-40		4. PC Pin 0.150" lg.	2. Double Pole	2. OFF	NONE	ON	2. Gold Plate		2. Black	
3. 15/32-32 With Lockout ①		5. PC Pin 0.270" lg.		3. ON	NONE	ON		8. Gray		
4. 15/32-32 With Convex Button ②				4. (ON)	NONE	ON		Lever Color		
5. 15/32-32 With Concave Button ②				5. (ON)	OFF	(ON)		For bushing styles 1 & 2 - bat handle & bushing		
6. 15/32-32 With Lockout and Smaller Bat Handle ①				6. (ON)	OFF	ON		1. Black		
7. 1/4-40 with Rocker Button ②								No Selection. Clear		
8. 15/32-32 with Small Paddle Bat Handle								For bushing styles 3 & 6 - bat handle & bushing (available only in clear)		
9. 15/32-32 with Large Paddle Bat Handle								No Selection. Clear		

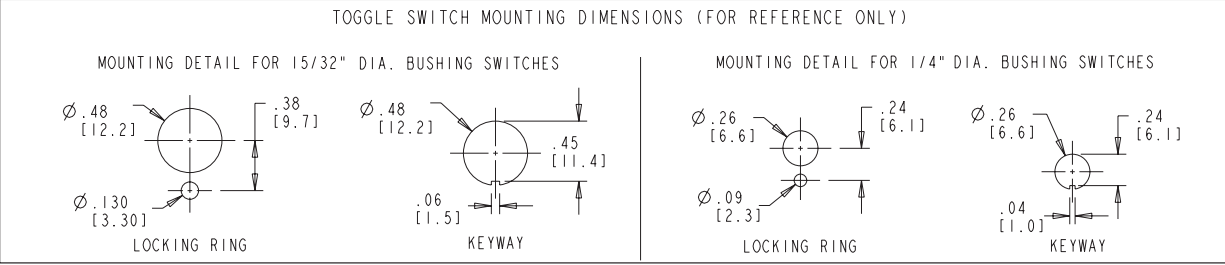
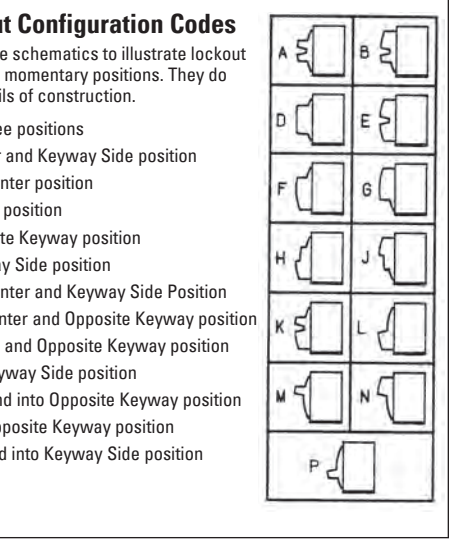
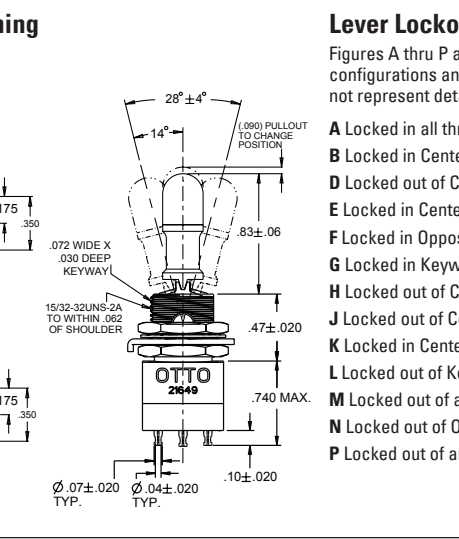
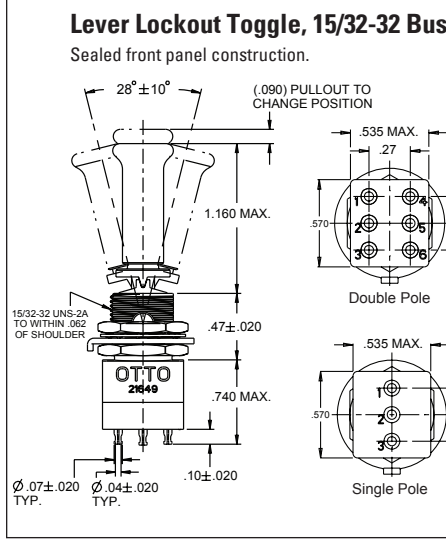
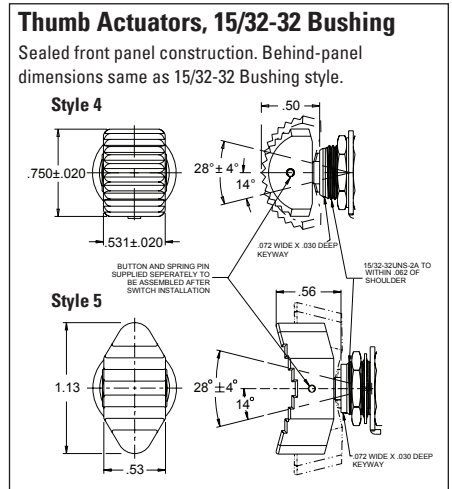
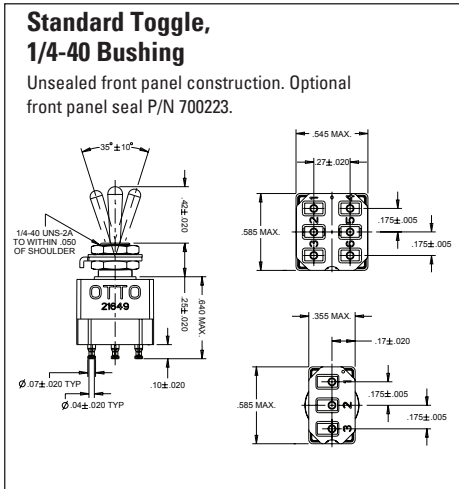
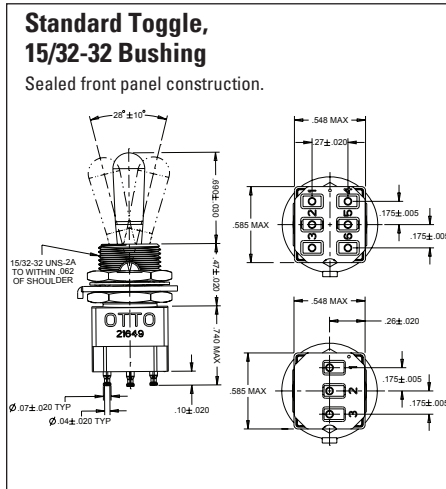
① Add appropriate lockout feature configuration code letter (A thru P) for bushing styles 3 and 6 only.
② Button color codes (1, 2 and 8) for bushing styles 4, 5 and 7 at end of Part Number.

NOTE: () denotes momentary action.

MEETS MIL-DTL-83731, COMMERCIAL & MILITARY GRADES

Circuit Made With Lever At				15/32" Bushing (Sealed)		1/4-40" Bushing (Unsealed)		Lever Lock-15/32" Bushing (Sealed)		
No. Poles	Keyway Side	Center Position	Opposite Keyway	MIL-SPEC Part Number	OTTO Part Number	MIL-SPEC Part Number	OTTO Part Number	MIL-SPEC Part Number	OTTO Part Number	Suffix for Lockout Feature
1	ON	OFF	ON	MS27718-21-1	T3-11111	MS27716-21-1	T3-21111	MS27720-21-1	T3-31111	All
1	OFF	None	ON	MS27718-22-1	T3-11121	MS27716-22-1	T3-21121	MS27720-22-1	T3-31121	D, F, G
1	ON	None	ON	MS27718-23-1	T3-11131	MS27716-23-1	T3-21131	MS27720-23-1	T3-31131	D, F, G
1	(ON)	None	ON	MS27718-26-1	T3-11141	MS27716-26-1	T3-21141	MS27720-26-1	T3-31141	F
1	(ON)	OFF	(ON)	MS27718-27-1	T3-11151	MS27716-27-1	T3-21151	MS27720-27-1	T3-31151	E, L, N
1	(ON)	OFF	ON	MS27718-31-1	T3-11161	MS27716-31-1	T3-21161	MS27720-31-1	T3-31161	E, F, K, L, M, N
2	ON	OFF	ON	MS27719-21-1	T3-11211	MS27717-21-1	T3-21211	MS27721-21-1	T3-31211	All
2	OFF	None	ON	MS27719-22-1	T3-11221	MS27717-22-1	T3-21221	MS27721-22-1	T3-31221	D, F, G
2	ON	None	ON	MS27719-23-1	T3-11231	MS27717-23-1	T3-21231	MS27721-23-1	T3-31231	D, F, G
2	(ON)	None	ON	MS27719-26-1	T3-11241	MS27717-26-1	T3-21241	MS27721-26-1	T3-31241	F
2	(ON)	OFF	(ON)	MS27719-27-1	T3-11251	MS27717-27-1	T3-21251	MS27721-27-1	T3-31251	E, L, N
2	(ON)	OFF	ON	MS27719-31-1	T3-11261	MS27717-31-1	T3-21261	MS27721-31-1	T3-31261	E, F, K, L, M, N

NOTE: () denotes momentary action.



SEALED TOGGLE SWITCHES

LOW COST TOGGLE FOR WET & DUSTY ENVIRONMENTS

These toggle switches are rugged, high performance sealed switches designed for use under severe conditions found in heavy equipment, industrial control, marine and appliance applications. The T7 series is sealed to both IP68S and IP69K. OTTO's front panel seal is accomplished with an O-ring under the bat handle. However, now a secondary visible bushing seal is offered as an option.

T7 toggles are offered in single and double pole configurations. A choice of models are offered to handle power levels to 16 amps, 0.5HP and low level electronic switching applications.

These toggles feature positive detent action for safe switching operation. In conjunction with the unique OTTO snap-action switch mechanism, the T7 offers non-teasible contact transfer.

High contact pressure and superior contact wiping action of the OTTO design makes the T7 an excellent choice for switching loads from logic level up to 16 amps.

Mounting hardware provided includes two hex nuts, one lockwasher and one keyway washer. An optional panel seal is available, P/N 710196, MIL. P/N M5423/16-01.

Features:

- Sealed to IP68S and IP69K
- Switches up to 16 amps
- Withstands extreme shock & vibration
- Positive detent, non-teasible contact transfer
- 2 & 3-position, momentary & maintained action
- Choice of terminal styles
- UL recognized & CSA certified
- RoHS/WEEE/Reach compliant
- Black matte finish available. Contact factory.



Standard Characteristics/Ratings:

ELECTRICAL RATINGS:

Load	Sea Level @ 28VDC or 115VAC	Cycles
Resistive	16A	25,000
Resistive	10A	50,000
Inductive	10A	25,000
Motor	0.5 HP	25,000
DWV	1050Vrms	N/A
Low Level	10mA max @ 30mV max DC Resistive for 50,000 cycles	

Electrical Life: See Rating Chart

Mechanical Life: 100,000 cycles

Seal: IP68S and IP69K

Operating Temp Range: -30°C to +85°C

MATERIALS:

Case: Thermoplastic

Bushing: Anodized aluminum alloy

Toggle: Stainless steel

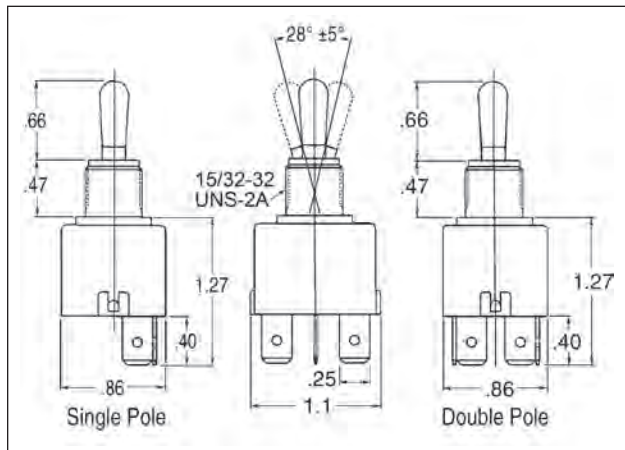
Terminals: Brass

Contacts: Fine silver/silver cadmium oxide

Low Level: Gold over silver

Terminal Hardware: 6-32 screw when applicable
T7 recommended Quick Connect terminals:
AMP 60253-2 for 12-16 AWG
AMP 42100-2 for 14-18 AWG

Mounting Hardware: Hex nuts, lockwasher, key way washer



T7 PART NUMBER CODE

Circuitry	Terminal Style	Contact Rating	Keyway Side	Center	Opposite Keyway	Toggle Style	Button Color*
1. 1 Pole 2. 2 Pole	1. .250" Q.C. 2. Screw 3. Solder 4. PC Pin (consult factory)	1. Std. 2. Low Level	A. ON B. ON C. (ON) D. (ON) E. (ON) F. ON G. (ON) H. OFF J. OFF K. ON	NONE NONE NONE NONE OFF OFF NONE NONE OFF	OFF ON OFF ON (ON) ON ON ON (ON) (ON)	1. Bat Handle 2. Lever Lockout (consult factory)* 3. Dome Button 4. Rocker Button 5. Bat Handle With Bushing Seal	1. Red 2. Black 3. Orange 4. Yellow 5. Green 6. Blue 7. Purple 8. Gray 9. White

NOTE: () denotes momentary action.

* Only applicable to Toggle Styles 3 & 4; otherwise omit.

*See Lockout Configuration Codes on next page.

T7 Connector P/N C801765

ENVIRONMENTALLY SEALED TOGGLE

The T9 Toggle Switch is an ideal switch for demanding applications. Qualified to MIL-DTL-3950, this high performance switch is a logical choice for use in environments where sealing and resistance to shock and vibration are required. The T9 is particularly suitable for applications in military, off-highway, aviation, commercial and industrial equipment. This compact, environmentally sealed switch is available in single and double pole configurations with a lever lockout option. Circuitry configurations include two or three positions with many combinations of OFF-ON in momentary and maintained action including ON-ON-ON.

Features:

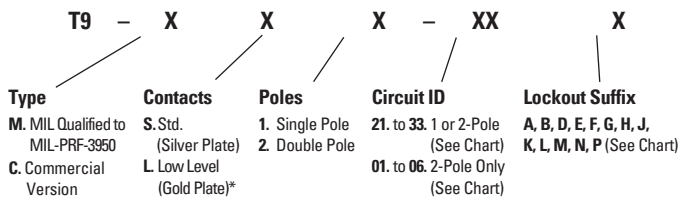
- Qualified to MIL-DTL-3950
- Commercial version is sealed per IP68S
- Lever lockout option available
- Maintained & momentary toggle action
- Optional panel seal
- RoHS/WEEE/Reach compliant
- Black matte finish available. Contact factory.



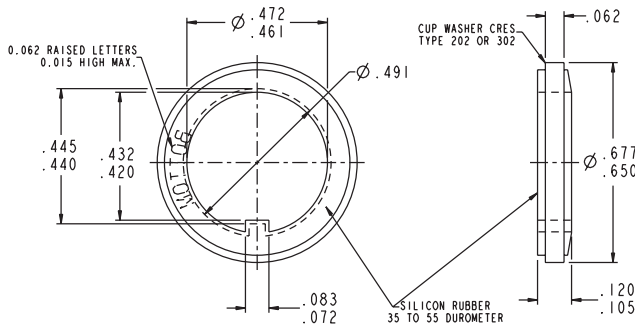
Standard Characteristics/Ratings:

ELECTRICAL RATINGS: See Product Family Table	
Electrical Life:	20,000 cycles
Mechanical Life:	40,000 cycles
Seal:	IP68S
Operating Temp Range:	-65°C to +71°C
MATERIALS:	
Toggle:	Stainless steel, passivated
Bushing & Cover:	Aluminum, clear anodized or zinc alloy
Case:	Thermoset plastic
Terminal Hardware:	Included
Mounting Hardware:	Hex nuts, lockwasher, keyway washer, 0.138-32 UNC-2A screw with lockwasher

T9 PART NUMBER CODE



* Available in commercial only.

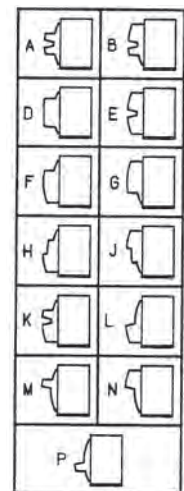


Optional Panel Seal P/N C710196, MIL. P/N M5423/16-01

Lever Lockout Configuration Codes

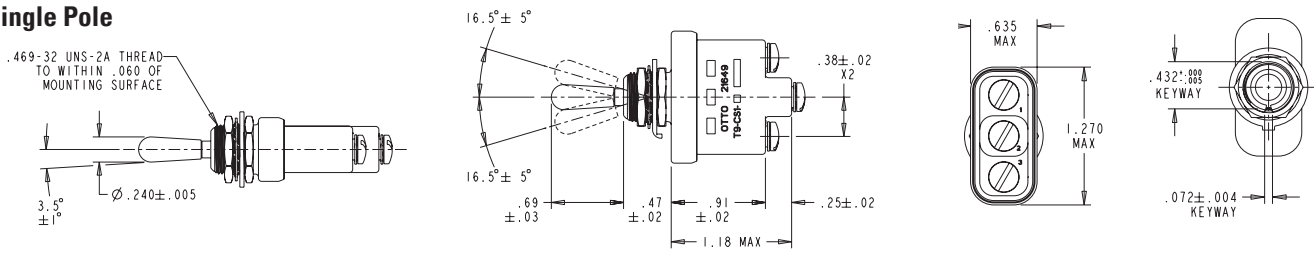
Figures A thru P are schematics to illustrate lockout configurations and momentary positions. They do not represent details of construction.

- A Locked in all three positions
- B Locked in Center and Keyway Side position
- D Locked out of Center position
- E Locked in Center position
- F Locked in Opposite Keyway position
- G Locked in Keyway Side position
- H Locked out of Center and Keyway Side Position
- J Locked out of Center and Opposite Keyway position
- K Locked in Center and Opposite Keyway position
- L Locked out of Keyway Side position
- M Locked out of and into Opposite Keyway position
- N Locked out of Opposite Keyway position
- P Locked out of and into Keyway Side position



PRODUCT FAMILY TABLE

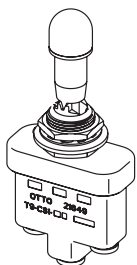
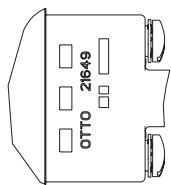
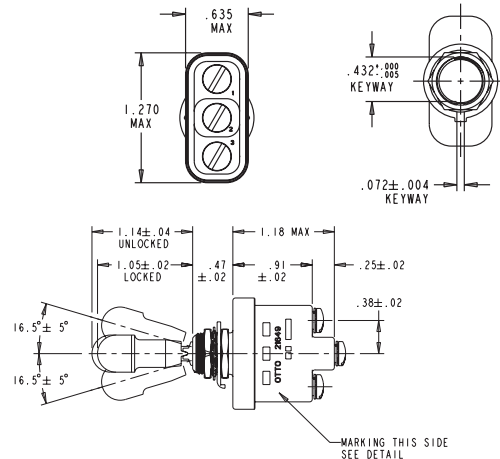
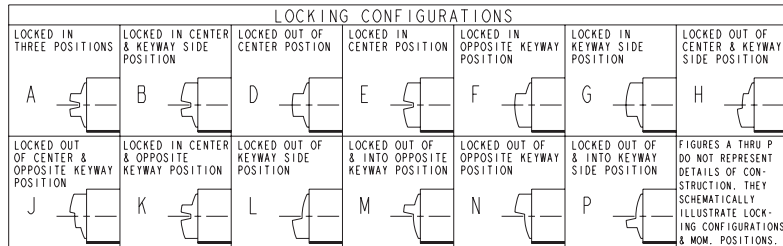
Single Pole



Low level 10mA @ 30mV (commercial version only)

OTTO PART NO.	MILITARY NO.	DASH NO.	CIRCUIT BY TOGGLE LEVER POSITION			ELECTRICAL RATINGS - SEA LEVEL & 65,000 FT									
			KEYWAY 1-2	CENTER	OPP. KEYWAY 2-3	28 VDC			115 VAC						
						LAMP	RESISTIVE	INDUCTIVE	LAMP	RESISTIVE	INDUCTIVE				
T9-MS1-	MS24523-	21	ON	OFF	ON	5	20	15	3	15	10				
		22	OFF	NONE	ON										
		23	ON	NONE	ON										
		24	NONE	OFF	ON										
		25	NONE	MOM OFF	ON	4	15	10	2	15	7				
		26	MOM ON	NONE	ON										
		27	MOM ON	OFF	MOM ON										
		28	MOM ON	OFF	NONE										
		29	MOM OFF	NONE	ON										
		30	MOM ON	NONE	OFF										
31	MOM ON	OFF	ON	T9-MS1-	MS24523-	32	NONE	ON	MOM ON	4	15	10	2	15	7
33	NONE	ON	ON			5	20	15	3	15	10				

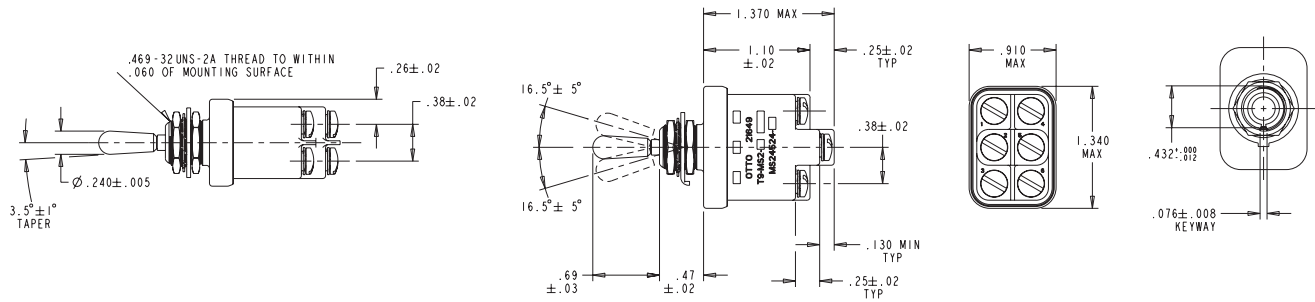
Lever/Lock Single Pole



OTTO BASE PART NO.	MILITARY NO.	DASH NO.	AVAILABLE LOCKOUTS (SEE CHART)	CIRCUIT BY TOGGLE LEVER POSITION			ELECTRICAL RATINGS - SEA LEVEL & 65,000 FT										
				KEYWAY 1-2	CENTER	OPP. KEYWAY 2-3	28 VDC			115 VAC							
							LAMP	RESISTIVE	INDUCTIVE	LAMP	RESISTIVE	INDUCTIVE					
T9-MS1-	MS24658-	21	ALL	ON	OFF	ON	5	20	15	3	15	10					
		22	D F G	OFF	NONE	ON											
		23	D F G	ON	NONE	ON											
		24	E F K M	NONE	OFF	ON											
		25	F	NONE	OFF (M)	ON	4	15	10	2	15	7					
		26	F	MOM ON	NONE	ON											
		27	E L N	MOM ON	OFF	MOM ON											
		28	E	MOM ON	OFF	NONE											
		29	F	MOM OFF	NONE	ON											
		30	F	MOM ON	NONE	OFF											
		31	E F K L M N	MOM ON	OFF	ON	T9-MS1-	MS24658-	32	E	NONE	ON	MOM ON	4	15	10	2
33	E F K M	NONE	ON	ON	5	20			15	3	15	10					

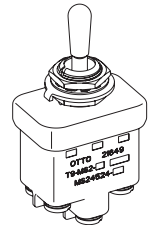
PRODUCT FAMILY TABLE

Double Pole



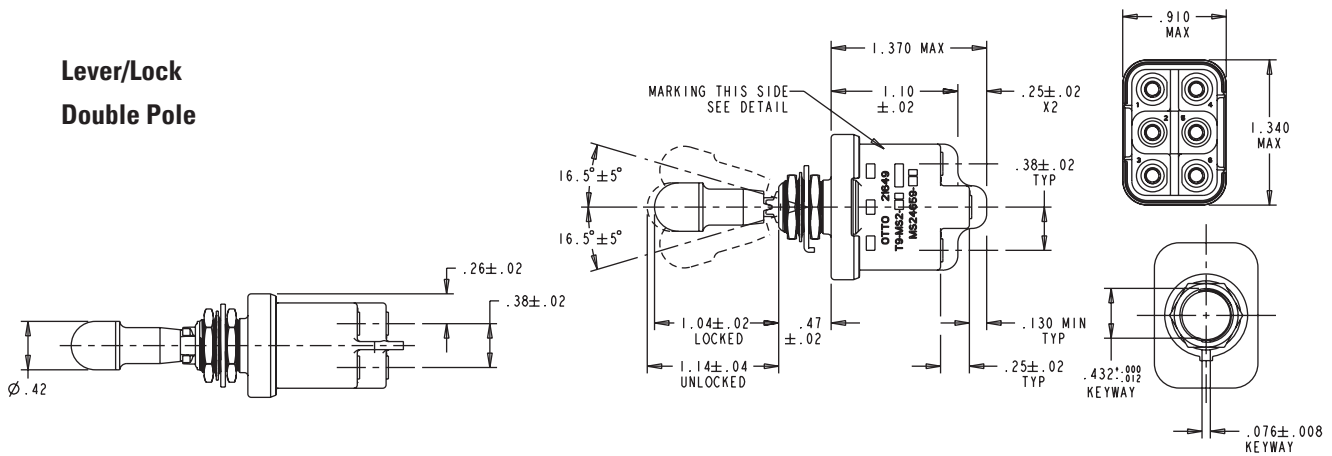
Low level 10mA @ 30mV (commercial version only)

OTTO BASE PART NO.	MILITARY STANDARD	DASH NO.	CIRCUIT CONFIGURATION			ELECTRICAL CURRENT RATINGS (AMPS) - SEA LEVEL & 65,000 FT					
			KEYWAY 1-2 / 4-5	CENTER	OPP. KEYWAY 2-3 / 5-6	28 VDC			115 VAC, 60Hz & 400Hz		
						LAMP	RESISTIVE	INDUCTIVE	LAMP	RESISTIVE	INDUCTIVE
T9-MS2-01	MS27407-	1	ON	2-3 ON 4-5	ON	7	20	15	4	15	15
T9-MS2-02		2	MOM ON	2-3 ON 4-5	ON	5	18	10	2	11	8
T9-MS2-03		3	MOM ON	2-3 ON 4-5	MOM ON	7	20	15	4	15	15
T9-MS2-04		4	ON	1-2 ON 5-6	ON	5	18	10	2	11	8
T9-MS2-05		5	MOM ON	1-2 ON 5-6	ON	7	20	15	4	15	15
T9-MS2-06		6	MOM ON	1-2 ON 5-6	MOM ON	5	18	10	2	11	8
T9-MS2-	MS24524-	21	ON	OFF	ON	7	20	15	4	15	15
		22	OFF	NONE	ON						
		23	ON	NONE	ON						
		24	NONE	OFF	ON						
		25	NONE	MOM OFF	ON	5	18	10	2	11	8
		26	MOM ON	NONE	ON						
		27	MOM ON	OFF	MOM ON						
		28	MOM ON	OFF	NONE						
		29	MOM OFF	NONE	ON						
		30	MOM ON	NONE	OFF						
31	MOM ON	OFF	ON								
OTTO BASE PART NO.	MILITARY STANDARD	DASH NO.	KEYWAY	CENTER 1-2 / 4-5	OPP. KEYWAY 2-3 / 5-6	28 VDC			115 VAC		
T9-MS2-	MS24524-	32	NONE	ON	MOM ON	5	18	10	2	11	8
		33	NONE	ON	ON	7	20	15	4	15	15

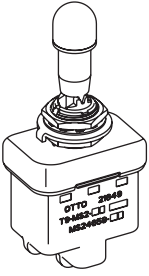


PRODUCT FAMILY TABLE

**Lever/Lock
Double Pole**



LOCKING CONFIGURATIONS							
LOCKED IN THREE POSITIONS	LOCKED IN CENTER & KEYWAY SIDE POSITION	LOCKED OUT OF CENTER POSITION	LOCKED IN CENTER POSITION	LOCKED IN OPPOSITE KEYWAY POSITION	LOCKED IN KEYWAY SIDE POSITION	LOCKED OUT OF CENTER & KEYWAY SIDE POSITION	FIGURES A THRU P DO NOT REPRESENT DETAILS OF CONSTRUCTION. THEY SCHEMATICALLY ILLUSTRATE LOCKING CONFIGURATIONS & MOM. POSITIONS.
A	B	D	E	F	G	H	
LOCKED OUT OF CENTER & OPPOSITE KEYWAY POSITION	LOCKED IN CENTER & OPPOSITE KEYWAY POSITION	LOCKED OUT OF KEYWAY SIDE POSITION	LOCKED OUT OF & INTO OPPOSITE KEYWAY POSITION	LOCKED OUT OF OPPOSITE KEYWAY POSITION	LOCKED OUT OF & INTO KEYWAY SIDE POSITION		
J	K	L	M	N	P		



OTTO BASE PART NO.	MILITARY STANDARD	DASH NO.	AVAILABLE LOCKOUTS (SEE CHART)	CIRCUIT CONFIGURATION			SWITCH POSITION MARKING	ELECTRICAL RATINGS - SEA LEVEL & 65,000 FT							
				KEYWAY 1-2 / 4-5	CENTER	OPP. KEYWAY 2-3 / 5-6		28 VDC			115 VAC, 60Hz & 400Hz				
								LAMP	RESISTIVE	INDUCTIVE	LAMP	RESISTIVE	INDUCTIVE		
T9-MS2-	MS24659-	21	ALL	ON	OFF	ON	ON	OFF	ON	7	20	15	4	15	15
		22	D, F, G	OFF	NONE	ON	OFF	ON							
		23	D, F, G	ON	NONE	ON	ON	ON							
		24	E, F, K, M	NONE	OFF	ON	OFF	ON							
		25	F	NONE	MOM OFF	ON	OFF	ON							
		26	F	MOM ON	NONE	ON	ON	ON							
		27	E, L, N	MOM ON	OFF	MOM ON	ON	OFF	ON						
		28	E	MOM ON	OFF	NONE	ON	OFF	ON						
		29	F	MOM OFF	NONE	ON	OFF	ON							
		30	F	MOM ON	NONE	OFF	ON	OFF	ON						
31	E, F, K, L, M, N	MOM ON	OFF	ON	ON	OFF	ON								
OTTO BASE PART NO.	MILITARY STANDARD	DASH NO.	AVAILABLE LOCKOUT	KEYWAY	CENTER	OPP. KEYWAY	SWITCH POSITION MARKING	28 VDC			115 VAC				
T9-MS2-	MS24659-	32	E	NONE	ON	MOM ON	ON ON	5	18	10	2	11	8		
		33	E, F, K, M	NONE	ON	ON	ON ON	7	20	15	4	15	15		

POSITIVE ACTION NON-TEASIBLE TOGGLE

The TE series is a MIL qualified, snap-action, non-teasible, positive make and break, panel mount toggle switch.

The non-teasible mechanism assures that the switch will actuate and not “hang up” even when actuated very slowly. A fluorosilicone seal protects the contact area from contaminants such as dust, moisture and sand. All metal components are corrosion resistant and designed to exceed all military requirements.

This environmentally sealed switch is available in single and double pole configurations with 15/32 or 1/4-40 bushings. The TE series is ideal in applications for dry circuit, low level and power switching applications.

Features:

- Positive action miniature toggle
- Wiping action contacts
- Momentary & maintained toggle action
- Panel mount
- Solder lug termination
- Single & double pole
- Sealed per MIL-DTL-8834
- MIL qualified MS90310-211/221/231/271/311
MS90311-211/221/231/271/311
MS24655-211/221/231/271/311
MS24656-211/221/231/271/311/331/341/351
- RoHS/WEEE/Reach compliant
- Black matte finish available. Contact factory.



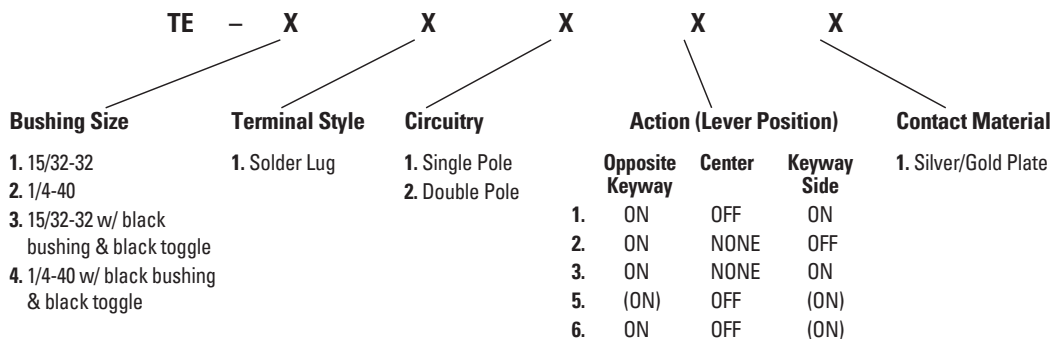
1/4-40 Bushing Style



15/32-32 Bushing Style

Standard Characteristics/Ratings:				
ELECTRICAL RATINGS:				
Load	Sea Level @ 28VDC	Sea Level @ 115VAC, 60Hz	Sea Level @ 115VAC, 400Hz	Sea Level Low Level @ 5mV
Resistive	5A	2A	3A	25mA
Inductive	1A	1A	2A	25mA
Electrical Life:		20,000 cycles		
Mechanical Life:		40,000 cycles		
Seal:		Per MIL-DTL-8834		
Operating Temp Range:		-55°C to +71°C		
MATERIALS:				
Handle:		Stainless steel with lusterless finish		
Bushing:		Aluminum alloy (15/32)		
Cover:		Stainless steel		
Mounting Hardware:		Hex nuts, lockwasher and keyway washer Silicone seal when applicable		

TE PART NUMBER CODE



Optional Panel Seal Gasket for 15/32-32 bushing
P/N C710196 per MIL. P/N M5423/16-01

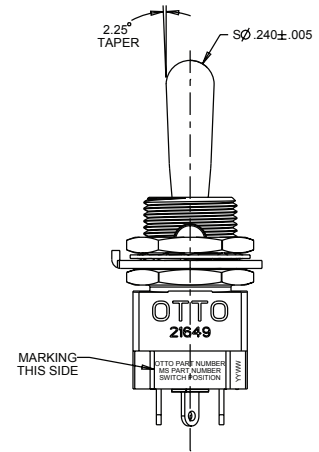
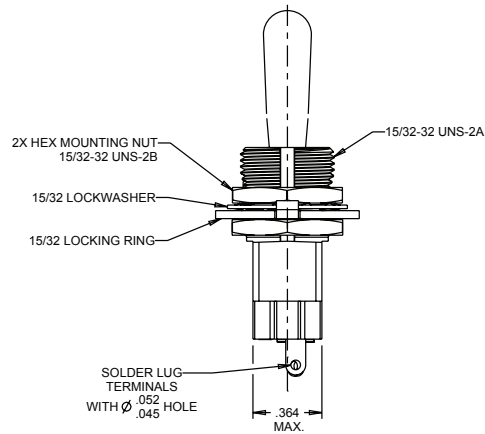
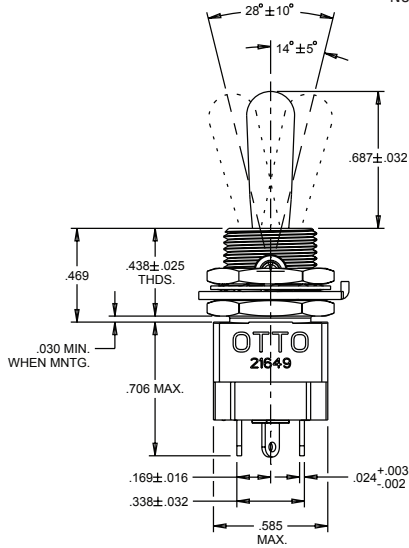
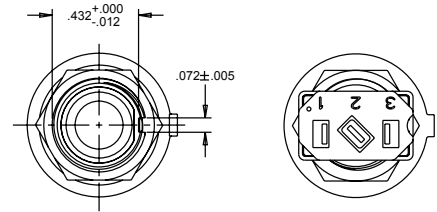
NOTE: () denotes momentary action.

POSITIVE ACTION NON-TEASIBLE TOGGLE

TE-111 15/32-32, Single Pole MS90310

CIRCUITS MADE WITH LEVER IN THESE POSITIONS:			
Opposite Keyway	Center	Keyway	MS Dash Number
1. ON 2-3	OFF	ON 1-2	-211
2. ON 2-3	NONE	OFF	-221
3. ON 2-3	NONE	ON 1-2	-231
5. (ON) 2-3	OFF	(ON) 1-2	-271
6. ON 2-3	OFF	(ON) 1-2	-311

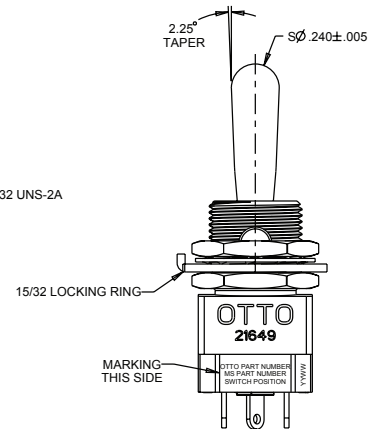
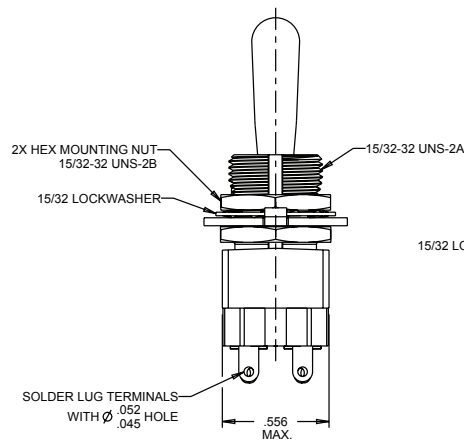
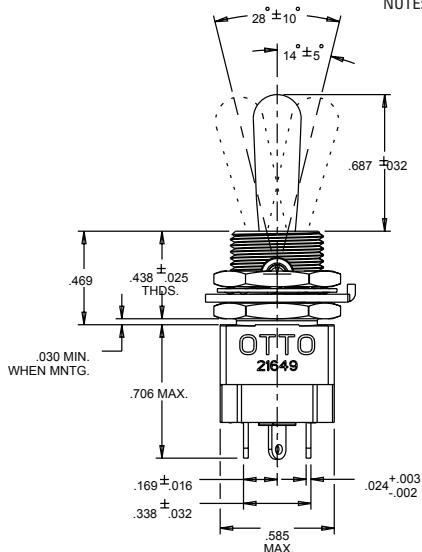
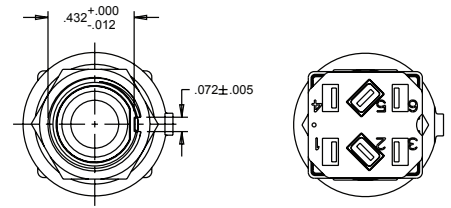
NOTE: () denotes momentary action.



TE-112 15/32-32, Double Pole MS90311

CIRCUITS MADE WITH LEVER IN THESE POSITIONS:			
Opposite Keyway	Center	Keyway	MS Dash Number
1. ON 2-3, 5-6	OFF	ON 1-2, 4-5	-211
2. ON 2-3, 5-6	NONE	OFF	-221
3. ON 2-3, 5-6	NONE	ON 1-2, 4-5	-231
5. (ON) 2-3, 5-6	OFF	(ON) 1-2, 4-5	-271
6. ON 2-3, 5-6	OFF	(ON) 1-2, 4-5	-311

NOTE: () denotes momentary action.

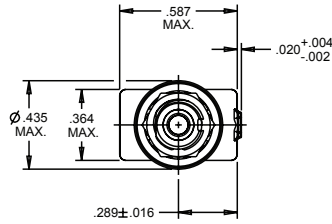


COMMERCIAL & MIL MINIATURE TOGGLE

TE
MINIATURE
TOGGLE

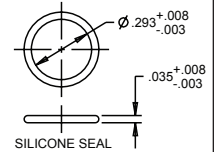
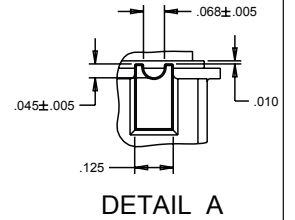
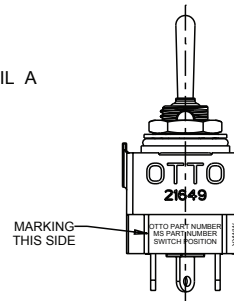
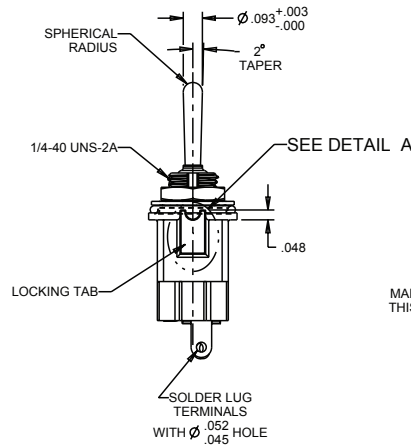
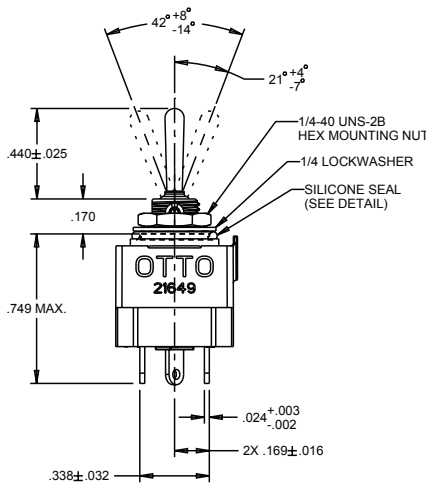
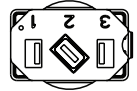
POSITIVE ACTION NON-TEASIBLE TOGGLE

TE-211 1/4-40 Bushing Single Pole MS24655

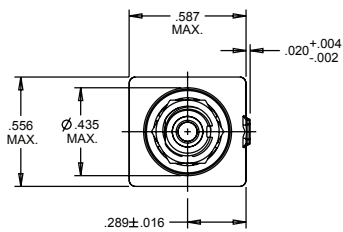


CIRCUITS MADE WITH LEVER IN THESE POSITIONS:				
	Opposite Keyway	Center	Keyway	MS Dash Number
1.	ON 2-3	OFF	ON 1-2	-211
2.	ON 2-3	NONE	OFF	-221
3.	ON 2-3	NONE	ON 1-2	-231
5.	(ON) 2-3	OFF	(ON) 1-2	-271
6.	ON 2-3	OFF	(ON) 1-2	-311

NOTE: () denotes momentary action.

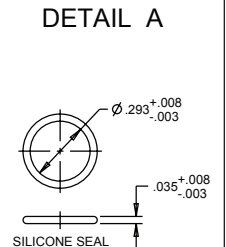
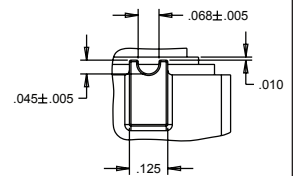
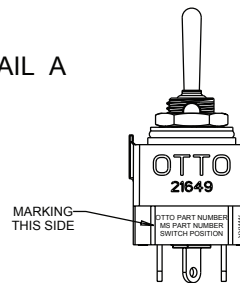
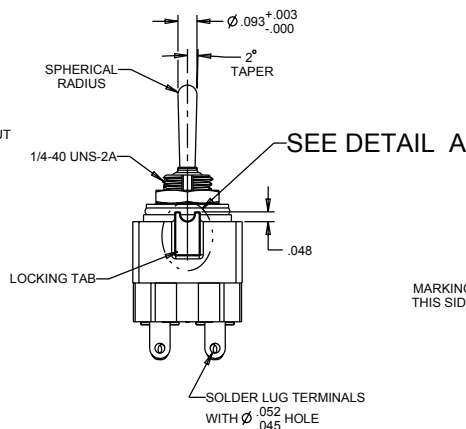
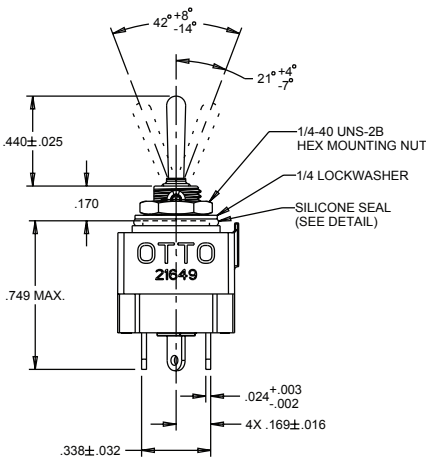
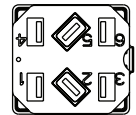


TE-212 1/4-40 Double Pole MS24656



CIRCUITS MADE WITH LEVER IN THESE POSITIONS:				
	Opposite Keyway	Center	Keyway	MS Dash Number
1.	ON 2-3, 5-6	OFF	ON 1-2, 4-5	-211
2.	ON 2-3, 5-6	NONE	OFF	-221
3.	ON 2-3, 5-6	NONE	ON 1-2, 4-5	-231
5.	(ON) 2-3, 5-6	OFF	(ON) 1-2, 4-5	-271
6.	ON 2-3, 5-6	OFF	(ON) 1-2, 4-5	-311

NOTE: () denotes momentary action.



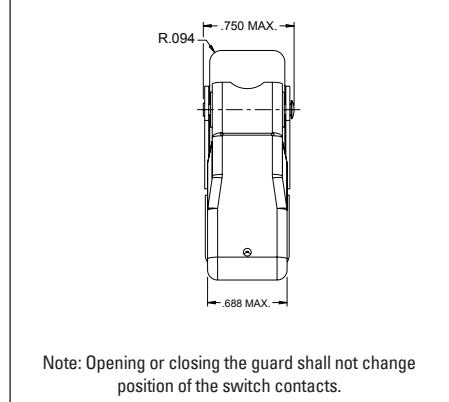
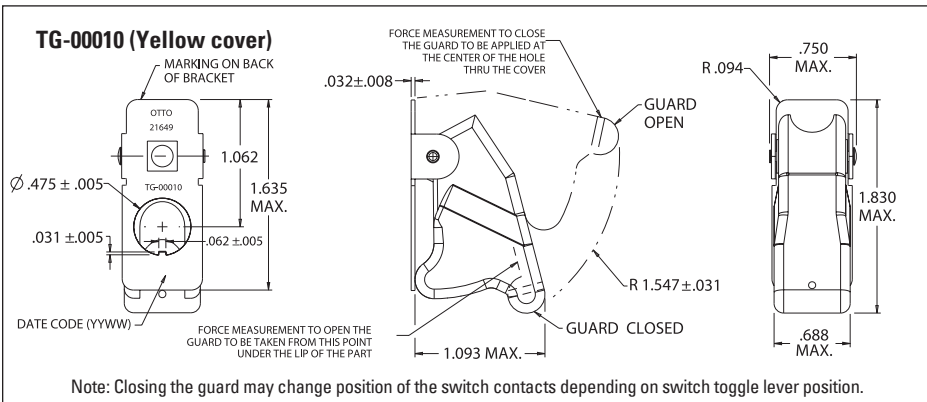
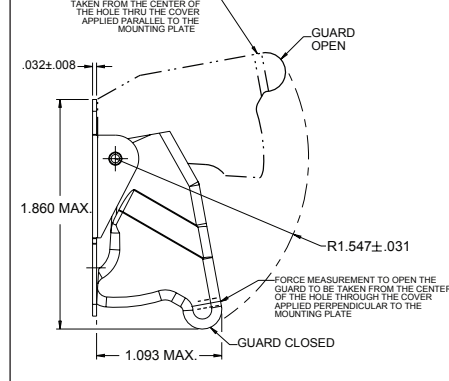
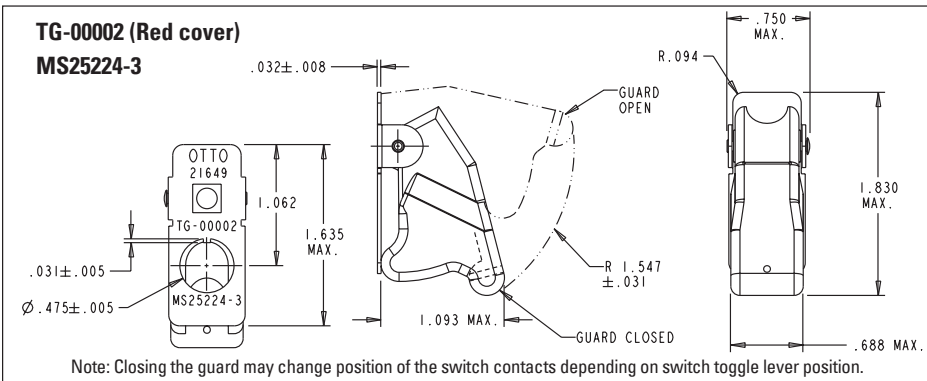
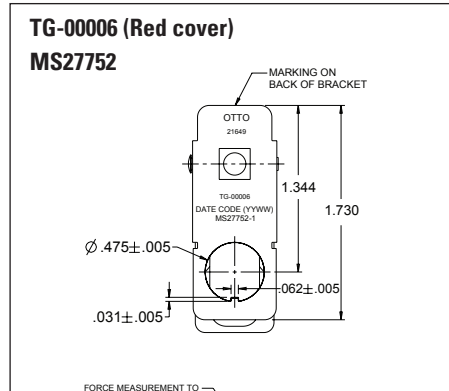
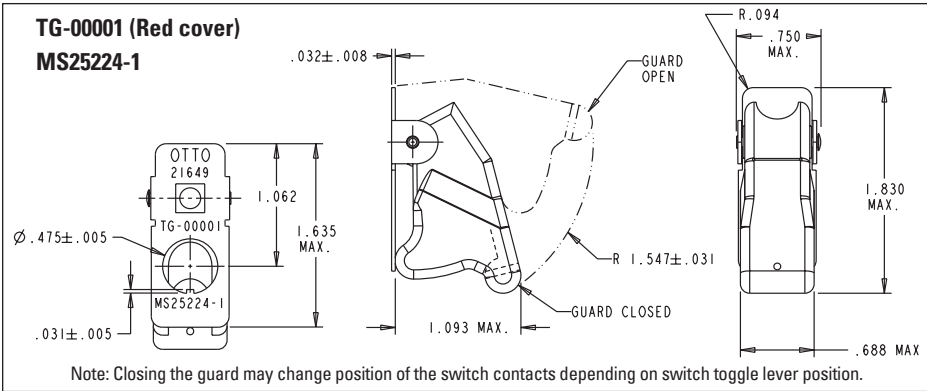
TG SERIES

The TG series toggle guards are offered for 2 and 3-position switches with 15/32-32 threaded bushings and slotted or flat keyways. All models feature spring loaded covers that lock in either the open or closed positions. In the open position the switch actuator operates on all positions freely, in the closed position, the switch actuator is locked in the desired position.

The toggle guard is easily installed on the switch from the front panel with two mounting hex nuts and may be used with an optional panel seal provided with each switch.

Features:

- MS approved & QPL'd choices
- Molded plastic cover - multiple color choices
- Bracket: Black painted steel



Transducers



0.750" DIAMETER FLANGE MOUNT, SHORT TRAVEL



Conical Hat Shown

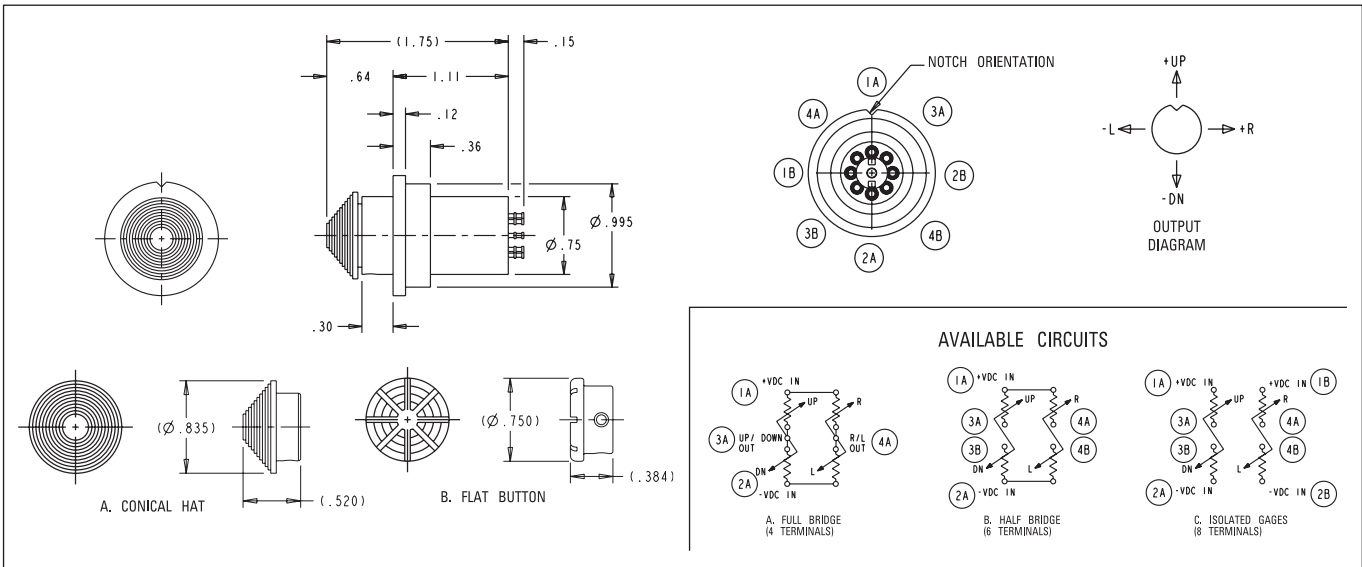
Standard Characteristics/Ratings:

ELECTRICAL RATINGS:

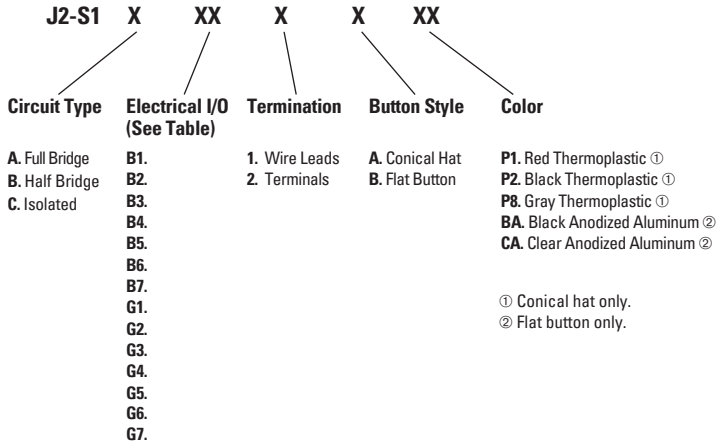
Insulation Resistance:	100MΩ min @ 50VDC
Null Temp Coefficient:	+/- 0.04% of full scale per degree C max
Hysteresis:	+/- 0.5% of full scale within 1 second after release
Sensitivity Temp Coefficient:	+/- 0.2% full scale per degree C
Resolution:	Infinite
Seal:	Enclosure dusttight per MIL-PRF-8805 Design 2
Operating Force:	3.0 lbs.
Operating Temp Range:	-40°C to +71°C
Storage Temp Range:	-55°C to +85°C
Travel:	To mechanical stop 0.05 inches max

MATERIALS:

Button:	Thermoplastic or anodized aluminum
Terminals:	Tin plate over copper plate over brass
Wire:	MIL-W-16878/4, 12 inches min, 24 AWG
Hardware:	None provided



J2-S1 PART NUMBER CODE



Circuit Configuration	Excitation Voltage (Units VDC)	Sensitivity Until Stop (Units VDC/lb. +/- 20%)	Max Output at Stop (Units VDC)	Null Output at 25°C Bipolar (Units VDC)	Null Output at 25°C Supply to Ground (Units VDC)	Full Scale Travel Cycles (Units x 10 ⁶)
B1	+/- 12.0	+/- 0.45	+/- 1.62	+/- 0.12		0.2
G1	+ 24.0	+/- 0.45	+/- 1.62		12.0 +/- 0.12	0.2
B2	+/- 10.0	+/- 0.45	+/- 1.62	+/- 0.12		0.2
G2	+ 20.0	+/- 0.45	+/- 1.62		10.0 +/- 0.12	0.2
B3	+/- 7.5	+/- 0.45	+/- 1.62	+/- 0.10		0.3
G3	+ 15.0	+/- 0.45	+/- 1.62		7.5 +/- 0.10	0.3
B4	+/- 6.0	+/- 0.45	+/- 1.62	+/- 0.10		0.2
G4	+ 12.0	+/- 0.45	+/- 1.62		6.0 +/- 0.10	0.2
B5	+/- 6.0	+/- 0.33	+/- 1.19	+/- 0.06		1.0
G5	+ 12.0	+/- 0.33	+/- 1.19		6.0 +/- 0.06	1.0
B6	+/- 5.0	+/- 0.33	+/- 1.19	+/- 0.05		1.0
G6	+ 10.0	+/- 0.33	+/- 1.19		5.0 +/- 0.05	1.0
B7	+/- 5.0	+/- 0.25	+/- 0.90	+/- 0.05		2.0
G7	+ 10.0	+/- 0.25	+/- 0.90		5.0 +/- 0.05	2.0

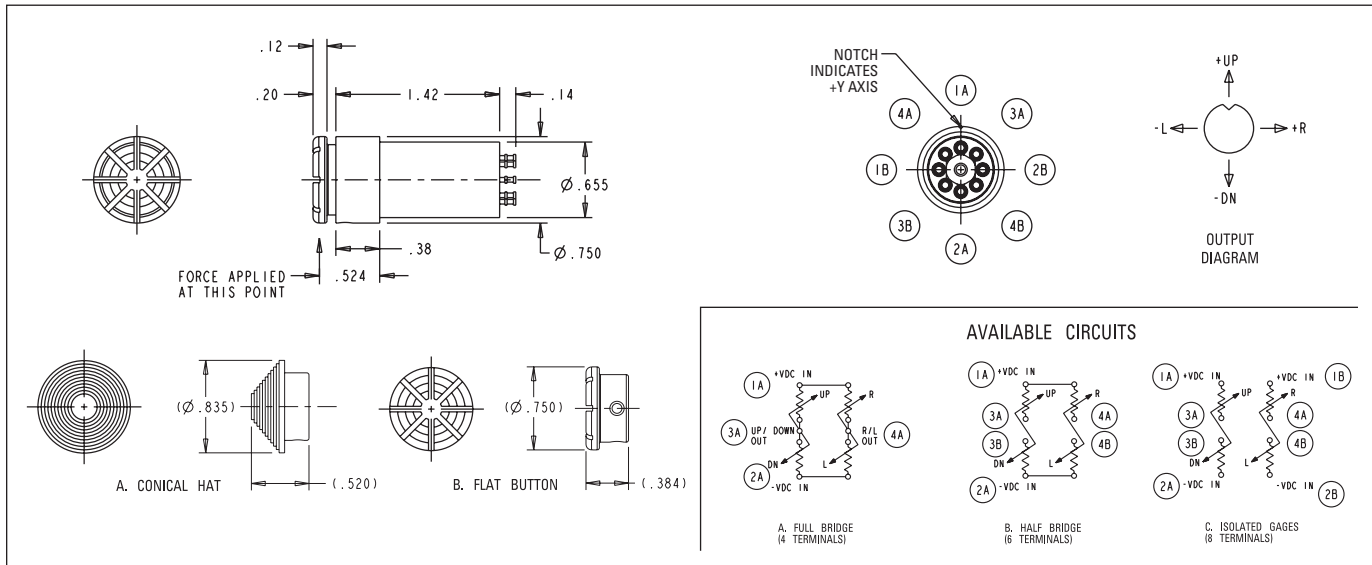
0.655" DIAMETER FLANGE MOUNT, SHORT TRAVEL



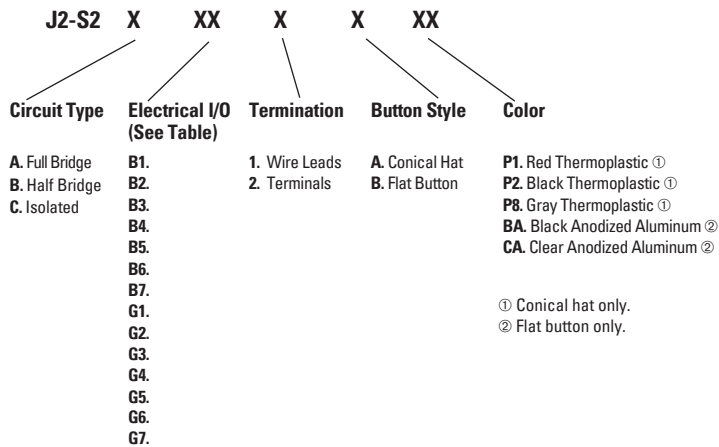
Flat Button Shown

Standard Characteristics/Ratings:

ELECTRICAL RATINGS:	
Insulation Resistance:	100MΩ min @ 50VDC
Null Temp Coefficient:	+/- 0.04% of full scale per degree C max
Hysteresis:	+/- 0.5% of full scale within 1 second after release
Sensitivity Temp Coefficient:	+/- 0.2% full scale per degree C
Resolution:	Infinite
Seal:	Enclosure dusttight per MIL-PRF-8805 Design 2
Operating Force:	3.0 lbs.
Operating Temp Range:	-40°C to +71°C
Storage Temp Range:	-55°C to +85°C
Travel:	To mechanical stop 0.05 inches max
MATERIALS:	
Button:	Thermoplastic or anodized aluminum
Terminals:	Tin plate over copper plate over brass
Wire:	MIL-W-16878/4, 12 inches min, 24 AWG
Hardware:	None provided

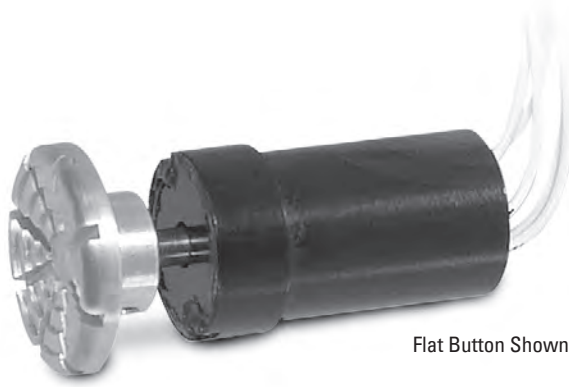


J2-S2 PART NUMBER CODE



EXCITATION VOLTAGE TABLE						
Circuit Configuration	Excitation Voltage (Units VDC)	Sensitivity Until Stop (Units VDC/lb. +/- 20%)	Max Output at Stop (Units VDC)	Null Output at 25°C Bipolar (Units VDC)	Null Output at 25°C Supply to Ground (Units VDC)	Full Scale Travel Cycles (Units x 10 ⁶)
B1	+/- 12.0	+/- 0.45	+/- 1.62	+/- 0.12		0.2
G1	+ 24.0	+/- 0.45	+/- 1.62		12.0 +/- 0.12	0.2
B2	+/- 10.0	+/- 0.45	+/- 1.62	+/- 0.12		0.2
G2	+ 20.0	+/- 0.45	+/- 1.62		10.0 +/- 0.12	0.2
B3	+/- 7.5	+/- 0.45	+/- 1.62	+/- 0.10		0.3
G3	+ 15.0	+/- 0.45	+/- 1.62		7.5 +/- 0.10	0.3
B4	+/- 6.0	+/- 0.45	+/- 1.62	+/- 0.10		0.2
G4	+ 12.0	+/- 0.45	+/- 1.62		6.0 +/- 0.10	0.2
B5	+/- 6.0	+/- 0.33	+/- 1.19	+/- 0.06		1.0
G5	+ 12.0	+/- 0.33	+/- 1.19		6.0 +/- 0.06	1.0
B6	+/- 5.0	+/- 0.33	+/- 1.19	+/- 0.05		1.0
G6	+ 10.0	+/- 0.33	+/- 1.19		5.0 +/- 0.05	1.0
B7	+/- 5.0	+/- 0.25	+/- 0.90	+/- 0.05		2.0
G7	+ 10.0	+/- 0.25	+/- 0.90		5.0 +/- 0.05	2.0

0.560" DIAMETER FLANGE MOUNT, SHORT TRAVEL



Flat Button Shown

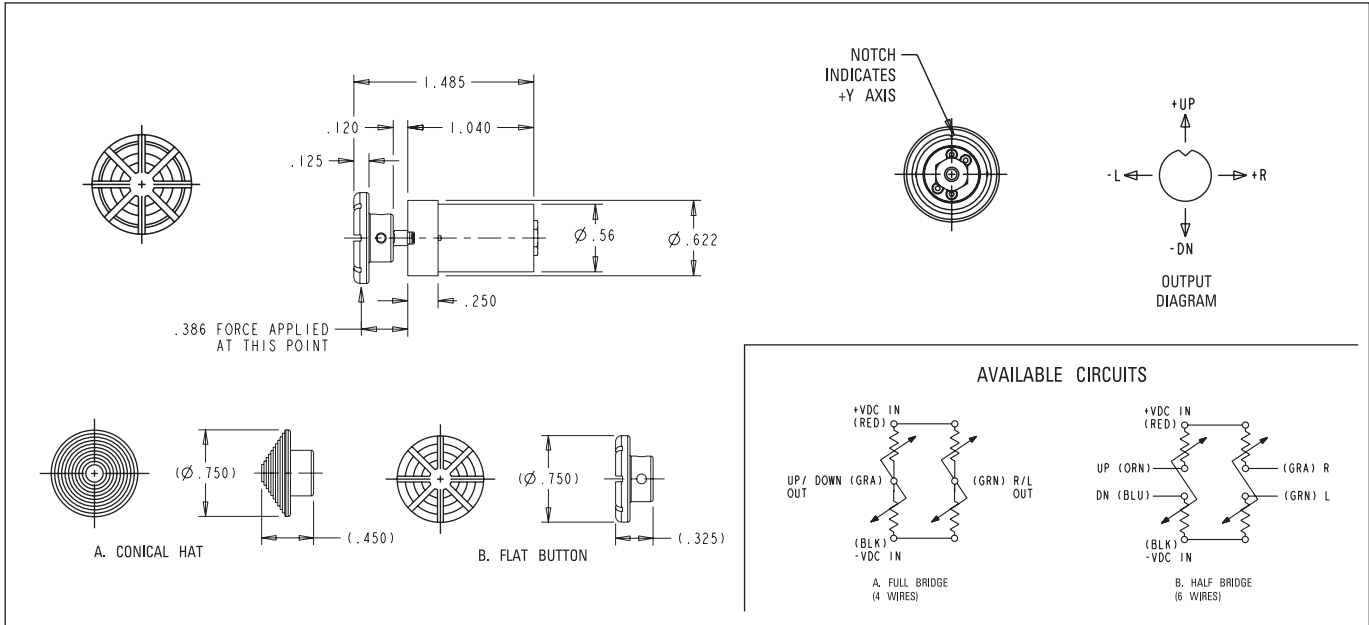
Standard Characteristics/Ratings:

ELECTRICAL RATINGS:

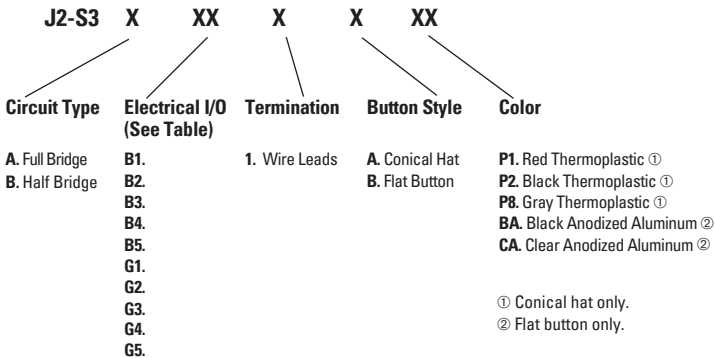
Insulation Resistance:	100MΩ min @ 50VDC
Null Temp Coefficient:	+/- 0.04% of full scale per degree C max
Hysteresis:	+/- 0.5% of full scale within 1 second after release
Sensitivity Temp Coefficient:	+/- 0.2% full scale per degree C
Resolution:	Infinite
Seal:	Enclosure dusttight per MIL-PRF-8805 Design 2
Operating Force:	3.0 lbs.
Operating Temp Range:	-40°C to +71°C
Storage Temp Range:	-55°C to +85°C
Travel:	To mechanical stop 0.05 inches max

MATERIALS:

Wire:	MIL-W-16878/4, 12 inches min 24 AWG
Button:	Thermoplastic or anodized aluminum
Hardware:	None provided




J2-S3 PART NUMBER CODE



EXCITATION VOLTAGE TABLE						
Circuit Configuration	Excitation Voltage (Units VDC)	Sensitivity Until Stop (Units VDC/lb. +/- 20%)	Max Output at Stop (Units VDC)	Null Output at 25°C Bipolar (Units VDC)	Null Output at 25°C Supply to Ground (Units VDC)	Full Scale Travel Cycles (Units x 10 ⁴)
B1	+/- 7.5	+/- 0.45	+/- 1.62	+/- 0.10		0.3
G1	+ 15.0	+/- 0.45	+/- 1.62		7.5 +/- 0.10	0.3
B2	+/- 6.0	+/- 0.45	+/- 1.62	+/- 0.10		0.2
G2	+ 12.0	+/- 0.45	+/- 1.62		6.0 +/- 0.10	0.2
B3	+/- 6.0	+/- 0.33	+/- 1.19	+/- 0.06		1.0
G3	+ 12.0	+/- 0.33	+/- 1.19		6.0 +/- 0.06	1.0
B4	+/- 5.0	+/- 0.33	+/- 1.19	+/- 0.05		1.0
G4	+ 10.0	+/- 0.33	+/- 1.19		5.0 +/- 0.05	1.0
B5	+/- 5.0	+/- 0.25	+/- 0.90	+/- 0.05		2.0
G5	+ 10.0	+/- 0.25	+/- 0.90		5.0 +/- 0.05	2.0

STANDARD LEGENDS PER SAE

STANDARD LEGENDS PER SAE SPECIFICATIONS

STANDARD LEGENDS PER SAE SPECIFICATIONS								
A1		ANCHOR	K2		UNLOCK	P5		BILGE BLOWER
B1		BATTERY	L1		LIGHT	R1		LIFT
B2		ELECTRIC POWER	L2		MASTER LIGHTING SWITCH	R2		LOWER
C1		AC/COOLING SYSTEMS	L3		HEADLIGHTS	R3		UP
C2		DEHUMIDIFIER	L4		HEADLIGHTS-LOW / DIPPED BEAM	R4		DOWN
C3		HEATER/INTERIOR HEATING	L5		HEADLIGHTS-HIGH / UPPER BEAM	R5		RIGHT
D1		WINDSHIELD DEFROSTER	L6		PARKING LIGHT	R6		LEFT
D2		REAR WINDOW DEFROSTER	L7		WORK LAMP	R7	FWD	FORWARD
D3		MIRROR DEFROSTER	L8		WORK LAMP	R8	REV	REVERSE
E1		ENGINE/START	L9		INTERIOR DOME LIGHT	S1		RADIO
E2		ENGINE/STOP	M1		BEACON	S2		MUTE
E3		ON/START	M2		HAZARD/POSITION LIGHTS	T1		FAST
E4	○	OFF/STOP	M3		CLEARANCE LIGHTS	T2		SLOW
E5	ON	ON	M4		SIDE MARKER LIGHT	T3		TRIM TAB / TRIMMING OPERATION
E6	OFF	OFF	M5		RUNNING LIGHTS (UNDER POWER)	T4		TRANSMISSION
E7		ENGINE ELECTRIC PREHEAT	M6		ANCHOR LIGHT	V1		VENTILATING / AC FAN
E8		ENGINE-GAS INJECTION	M7		RUNNING/ANCHOR LIGHTS	W1		WINDSHIELD WIPER
F1		FRONT FOG LIGHTS	M8		SEARCH LIGHT	W2		WINDSHIELD-WASHER
F2		REAR FOG LIGHTS	M9		LEFT TURN SIGNAL	W3		WINDSHIELD-WASHER/WIPER
G1		FUEL	MA		RIGHT TURN SIGNAL	W4		REAR WINDOW WIPER
H1		HORN	P1		BILGE PUMP #1	W5		REAR WINDOW-WASHER
H2		HORN REAR	P2		BILGE PUMP #2	W6		REAR WINDOW-WASHER/WIPER
K1		LOCK	P3		BILGE PUMP #3	ZZ		NO LEGEND
			P4		BILGE PUMP			

For legends not shown, please consult an OTTO representative.

EXAMPLES OF APPLICATION SPECIFIC DESIGNS

Two-Step Trigger Switch with Boot Retaining Feature

Sealed to IP68S, this trigger switch was designed for use in a grip - specifically for sealed grip applications. This switch has an actuating force of 3.0 lbs. to make the first pole; 6.5 lbs. passing through a detent to actuate the second pole. Body is black and the trigger is red.

Rating: 10 amps Resistive @ 28VDC
U2-605



Two-Step Sealed Trigger Switch

This precision trigger switch offers two level operation with positive detent between levels. First level operates with 2.5 lbs. of force. It is moistureproof and dusttight sealed per MIL-PRF-8805, Sym. 2. The switch also provides electromagnetic pulse shielding. Trigger is gray. Body is black. Features OTTO B3 basic switches per MIL-PRF-8805.

Rating: 8 amps Resistive @ 28VDC
U2-037



Single Step Trigger Switch

This trigger switch is an excellent choice when a two step trigger is not required. Actuating force is 3 lbs. to pass through the detent and will continue travel after the detent.

Button: Grey thermoplastic
Housing: Black thermoplastic
Side covers: Black anodized aluminum
Rating: 7 amps Resistive @ 28VDC
U2-054



Military Qualified Trigger Switch

This precision trigger switch has an actuating force of 2.25 lbs. to make the first pole; 6.5 lbs. passing through a detent to actuate the second pole. Housing is black thermoplastic, button is red thermoplastic. Two models:

Cat. No.	MILITARY No.	Width (inches)
U2-016	M8805/111-01	0.641 +/- 0.016
U2-025	M8805/111-04	0.762 +/- 0.025

Rating: 7 amps @ 28VDC



Flight Grip Rocker Switch

Compact lightweight design for flight grips and other space sensitive installations.

- Shallow mounting depth
- ON-OFF-ON spring return to center
- 2 circuit (N.O.-N.C.) switches
- Utilizes OTTO B3 Basic switches per MIL-PRF-8805/101
- Low level switching (10mA @ 30mV) or standard rating (see B3 pages)
- Black anodized housing
- Black molded button

U2-621



Rocker Switch with Pushbuttons

This rocker switch with a beveled button style offers short behind panel depth by using two P8 momentary action, subminiature, double break pushbuttons. IP68S version available.

Button: Black Nylon
Standard Rating: 10 amps Resistive @ 28VDC
Low Level: 10mA @ 30mV
U2-278



Hall Effect Rocker

This linear output Hall effect rocker switch will meet your needs when long life is required. Rated for 2.5 million cycles, it was designed for demanding applications and is fully protected against electromagnetic and radio frequency interference (EMI and RFI) up to 100V/M.

U2-452



FNR - 3-Position Rocker

Compact, robust and reliable for grip or panel mount. The FNR is a 3-position switch that provides operator comfort by reducing the movement required to change direction and switch gears. Enhanced visibility with back lighting so switching is easy to see in poor or nighttime conditions. The switch has a mechanical life of 1 million cycles.

FNR-1002 Standard 3-position rocker with 36" 20 AWG wire leads



NOTEWORTHY DESIGNS

EXAMPLES OF APPLICATION SPECIFIC DESIGNS

Dome Pushbutton with Sealing Boot

Designed for industrial environments, this momentary action, commercial grade P3 pushbutton is made with a secondary sealing boot for added protection against dust, sand and water ingress.

Seal: Watertight to IP68S

Electrical Life: 100,000 cycles

Button: Valox

Case: Aluminum alloy, black anodized

Rating: 10 amps Resistive @ 28VDC

P3-90291-1



Park Brake

This heavy duty push-pull switch was designed specifically for off-road heavy duty equipment. With an electrical life of 200,000 cycles and watertight to IP68S, the U2-326 park brake switch can withstand the most demanding applications.

Push Force: 13.0 (58 N) +/- 50%

Pull Force: 6.1 (27 N) +/- 50%

Seal: Watertight to IP68S

Electrical Life: 200,000 cycles

Button: Aluminum alloy, red anodized

Housing: Aluminum alloy, black anodized

U2-651



4-Way Toggle with Large Bat Handle

This T4 toggle switch is a momentary return to center 4-way toggle with a large cone-shaped bat handle.

Enclosure Design: MIL-DTL-8805, Symbol 2 - Dusttight

Electrical Life: 50,000 cycles

Lever: Stainless Steel

Case & Mounting Plate: Black anodized aluminum alloy

Rating: 5 amps Resistive @ 30VDC

T4-0315



Low Level, Three-Position Trim Switch

This low level trim switch is a double pole, double throw, center-off, three-position momentary switch. Poles may be operated independently. Made with three B2 basic switches, this switch is ideal for the aviation industry.

Bezel: Black chromium aluminum

Buttons: Black anodized aluminum

Rating: 10mA @ 30mV

U2-652



Door Interlock Switch

Features a defeat function for special purpose applications. Normal logic requires the assembly to be mounted so the switch button is engaged by the actuator when the door is closed. When the door is opened, the spring disengages the actuator to turn off the machine. The assembly features an OTTO B3 double break snap-action basic switch.

U2-053



Miniature Toggle with Jeweled Handle

The jeweled handle on this miniature T3 toggle makes the switch easy to visually locate on a panel in low-light conditions. Works well in aviation applications or in any application where a control panel is populated with a large number of switches.

Seal: Sealed per MIL-DTL-83731

Handle & Lever: Stainless steel

Bushing: In accordance with MIL-DTL-3950

Rating: 5 amps Resistive @ 28VDC

T3-10129



T1 Toggle with IWTS Termination

Choose an integrated wire termination system (IWTS) for ease of installation. By using a special tool, there is no need to solder. Select from a variety of bat handles. T1 base shown here.



T3 Toggle with Custom Engraved Bat Handle

Add a custom engraved legend, lettering or logo to the bat handle of this miniature toggle with snap-action contact actuation. This toggle, with a 15/32-32 bushing, is an excellent choice for switching loads from logic level up to 5 amps.

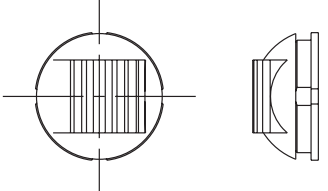
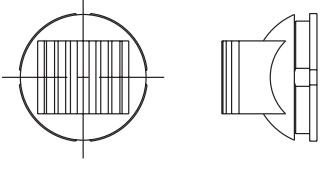
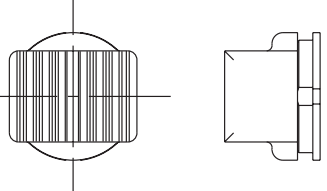
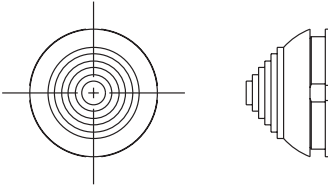
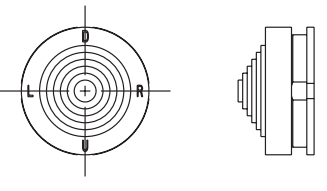
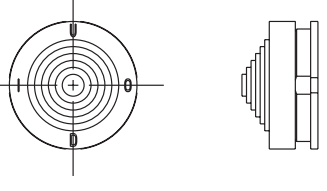
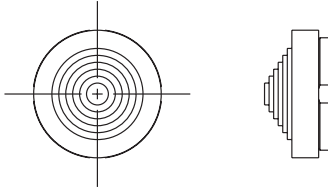
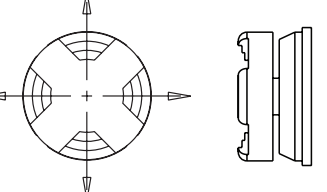
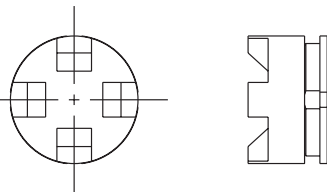
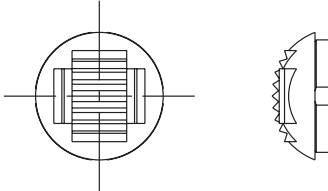
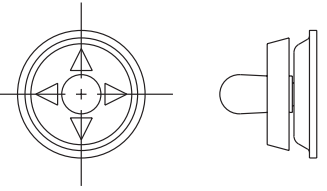
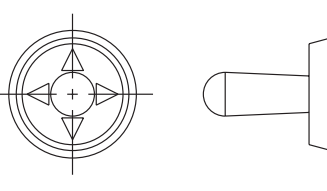
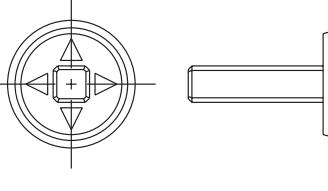
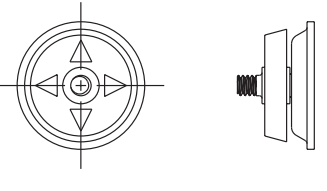
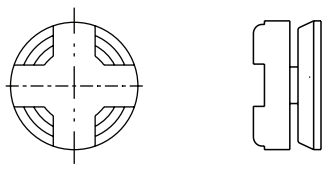
Bat Handle: Anodized stainless steel in a variety of colors

Rating: 5 amps Resistive @ 28VDC



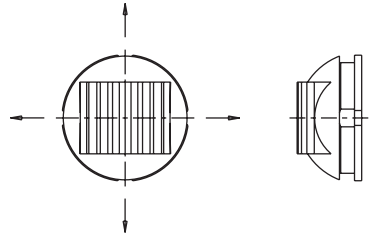
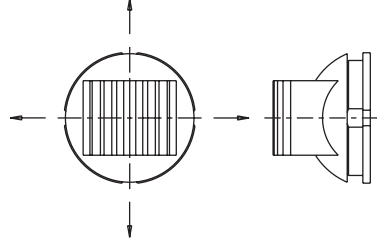
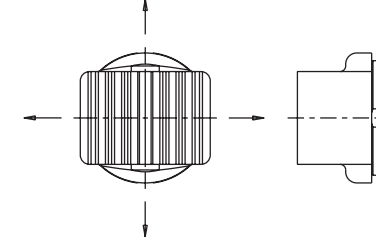
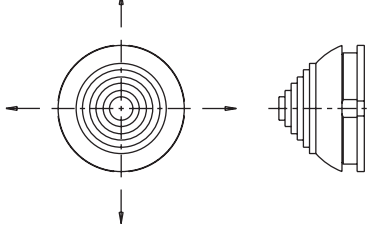
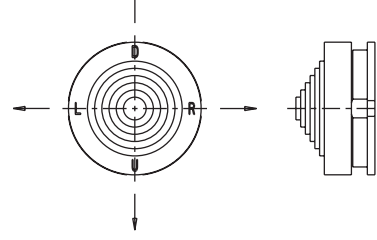
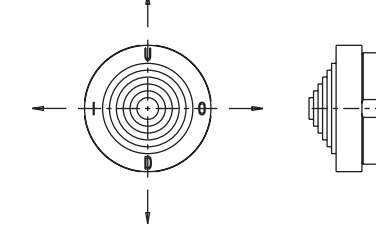
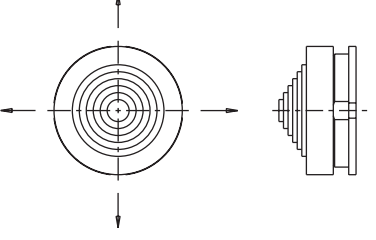
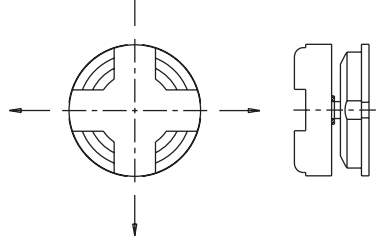
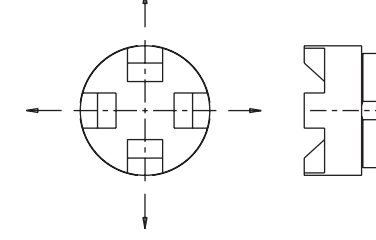
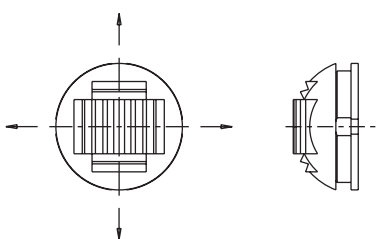
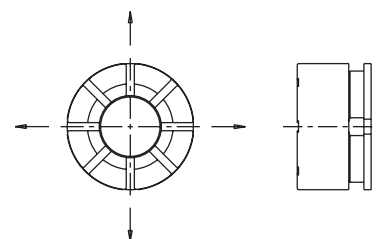
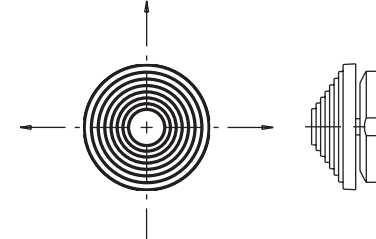
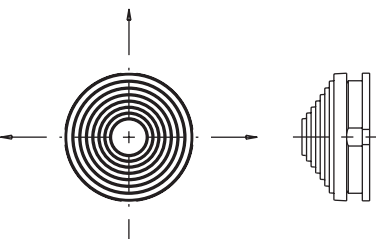
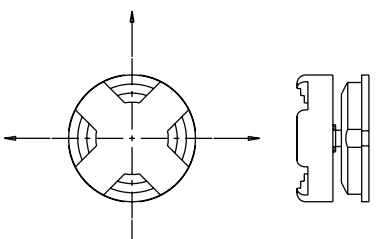
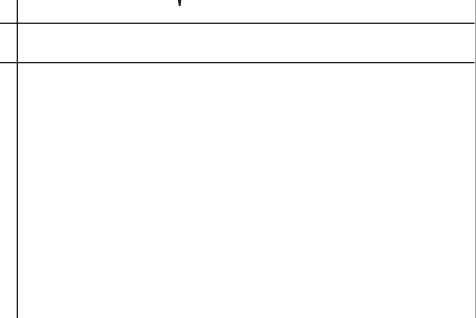
MINI TRIM BUTTON STYLES

MINI TRIM BUTTON STYLES

<p>A - 2-WAY JOG</p> 	<p>B - TALL JOG</p> 	<p>C - ROCKER</p> 
<p>D - CONE</p> 	<p>E - LRUD HAT</p> 	<p>F - IOUD HAT</p> 
<p>G - HAT</p> 	<p>H - STADIUM</p> 	<p>J - CASTLE</p> 
<p>K - 4-WAY JOG</p> 	<p>L - SHORT BAT</p> 	<p>M - LONG BAT</p> 
<p>N - POST</p> 	<p>P - 4-40 THREADED POST</p> 	<p>Q - ROTATED STADIUM</p> 

T4-T MINI TRIM BUTTON STYLES

T4-T MINI TRIM BUTTON STYLES

<p>A - 2-WAY JOG</p> 	<p>B - TALL JOG</p> 	<p>C - ROCKER</p> 
<p>D - CONE</p> 	<p>E - LRUD HAT</p> 	<p>F - IOUD HAT</p> 
<p>G - HAT</p> 	<p>H - STADIUM</p> 	<p>J - CASTLE</p> 
<p>K - JOG</p> 	<p>L - INVERSE HAT</p> 	<p>M - 4-WAY TALL HAT</p> 
<p>N - 4-WAY SHORT HAT</p> 	<p>P - STADIUM ROTATED</p> 	

LED VOLTAGE/CURRENT RATINGS TABLE

ROCKER AND ROTARY SWITCH VOLTAGE/CURRENT RATINGS TABLES

K1, K2, K3P and K4 LIGHTING VOLTAGE/CURRENT COMPONENTS RATINGS

LIGHT SOURCE VOLTAGE CATEGORY	LIGHT SOURCE COLOR	FORWARD CURRENT	TYPICAL FORWARD/ NOMINAL VOLTAGE	MAX. FORWARD VOLTAGE
6 VDC INCANDESCENT	WHITE	.2 AMPS	6 VDC	8 VDC
12 VDC INCANDESCENT	WHITE	.08 AMPS	12 VDC	14 VDC
24 VDC INCANDESCENT	WHITE	.04 AMPS	24 VDC	28 VDC
125 VAC NEON	AMBER	1.9 mA	125 VAC	125 VAC
250 VAC NEON	AMBER	1.9 mA	250 VAC	250 VAC
2 V LED PRODUCTS*	RED	20 mA	1.9 VDC	2.5 VDC
	GREEN	20 mA	2.15 VDC	2.5 VDC
	AMBER	20 mA	1.95 VDC	2.5 VDC
6 V LED PRODUCTS	SEE CHART	20 mA	6 VDC	8 VDC
12 V LED PRODUCTS	SEE CHART	20 mA	12 VDC	14 VDC
24 V LED PRODUCTS	SEE CHART	20 mA	24 VDC	28 VDC

K3/K5 LIGHTING VOLTAGE/CURRENT COMPONENTS RATINGS

LIGHT SOURCE VOLTAGE CATEGORY	LIGHT SOURCE COLOR	FORWARD CURRENT	TYPICAL FORWARD/ NOMINAL VOLTAGE	MAX. FORWARD VOLTAGE
6 VDC INCANDESCENT	WHITE	.2 AMPS	6 VDC	8 VDC
12 VDC INCANDESCENT	WHITE	.08 AMPS	12 VDC	14 VDC
24 VDC INCANDESCENT	WHITE	.04 AMPS	24 VDC	28 VDC
125 VAC NEON	AMBER	1.9 mA	125 VAC	125 VAC
250 VAC NEON	AMBER	1.9 mA	250 VAC	250 VAC
2 V LED PRODUCTS*	RED	20 mA	2.0 VDC	2.5 VDC
	GREEN	20 mA	2.2 VDC	2.6 VDC
	AMBER	20 mA	2.1 VDC	2.5 VDC
6 V LED PRODUCTS	SEE CHART	20 mA	6 VDC	8 VDC
12 V LED PRODUCTS	SEE CHART	20 mA	12 VDC	14 VDC
24 V LED PRODUCTS	SEE CHART	20 mA	24 VDC	28 VDC

R2 LIGHTING VOLTAGE/CURRENT COMPONENTS RATINGS

LIGHT SOURCE VOLTAGE CATEGORY	LIGHT SOURCE COLOR	FORWARD CURRENT	TYPICAL FORWARD/ NOMINAL VOLTAGE	MAX. FORWARD VOLTAGE
2 V LED PRODUCTS*	RED	20 mA	2.0 VDC	2.5 VDC
	GREEN	20 mA	2.2 VDC	2.6 VDC
	AMBER	20 mA	2.1 VDC	2.5 VDC
6 V LED PRODUCTS	SEE CHART	20 mA	6 VDC	8 VDC
12 V LED PRODUCTS	SEE CHART	20 mA	12 VDC	14 VDC
24 V LED PRODUCTS	SEE CHART	20 mA	24 VDC	28 VDC

*Intended for use with external resistor. The "2 volt" switches are intended to have a resistor added in series into the lighting circuit by the customer. To determine the approximate value of the resistor, use the equation below:

$$\text{RESISTOR SIZE} = \frac{\text{POWER SUPPLY VOLTAGE} - \text{LED FORWARD VOLTAGE}}{\text{LED FORWARD CURRENT}}$$

LED VOLTAGE/CURRENT RATINGS TABLE

ILLUMINATED PUSHBUTTON SWITCH & INDICATOR LIGHTS VOLTAGE/CURRENT RATINGS TABLES

LP3, LP5 AND LPL SERIES LIGHTING VOLTAGE/CURRENT COMPONENTS RATINGS

LIGHT SOURCE VOLTAGE (DC)	ACTUAL VOLTAGE NOMINAL (DC)	VOLTAGE MAXIMUM (DC)
2*	2	2.6
6	7	8
12	13.5	14.5
24	28	28.6

LP7-D and LP9L SERIES LIGHTING VOLTAGE/CURRENT COMPONENTS RATINGS

LIGHT SOURCE VOLTAGE CATEGORY	LED COLOR	FORWARD CURRENT	TYP. FORWARD VOLTAGE	MAX. FORWARD VOLTAGE
2V PRODUCTS*	RED	20 mA	2V	2.4V
	GREEN	20 mA	3.2V	3.6V
	AMBER	20 mA	2.1V	2.4V
	BLUE	20 mA	3.3V	3.8V
	WHITE	5 mA	2.9V	3.15V
12V PRODUCTS	ALL COLORS	20 mA	12.0V	14.0V

LP9 SERIES LIGHTING VOLTAGE/CURRENT COMPONENTS RATINGS

LIGHT SOURCE VOLTAGE CATEGORY	LED COLOR	FORWARD CURRENT	TYP. FORWARD VOLTAGE	MAX. FORWARD VOLTAGE
2V, STANDARD PRODUCT*	RED	20 mA	2V	2.4V
	GREEN	20 mA	3.2V	3.6V
	AMBER	20 mA	2.1V	2.4V
	BLUE	20 mA	3.3V	3.8V
	WHITE	5 mA	2.9V	3.15V
2V, TRANSLUCENT, FULL ILLUMINATION ONLY*	RED	20 mA	1.95V	2.5V
	GREEN	20 mA	3.3V	4.1V
	AMBER	20 mA	2.1V	2.5V
	BLUE	20 mA	3.3V	4V
	WHITE	15 mA	2.85V	3.1V
12V, ALL PRODUCTS	ALL COLORS	20 mA	12.0V	14.0V

*Intended for use with external resistor. The "2 volt" switches are intended to have a resistor added in series into the lighting circuit by the customer. To determine the approximate value of the resistor, use the equation below:

$$\text{RESISTOR SIZE} = \frac{\text{POWER SUPPLY VOLTAGE} - \text{LED FORWARD VOLTAGE}}{\text{LED FORWARD CURRENT}}$$

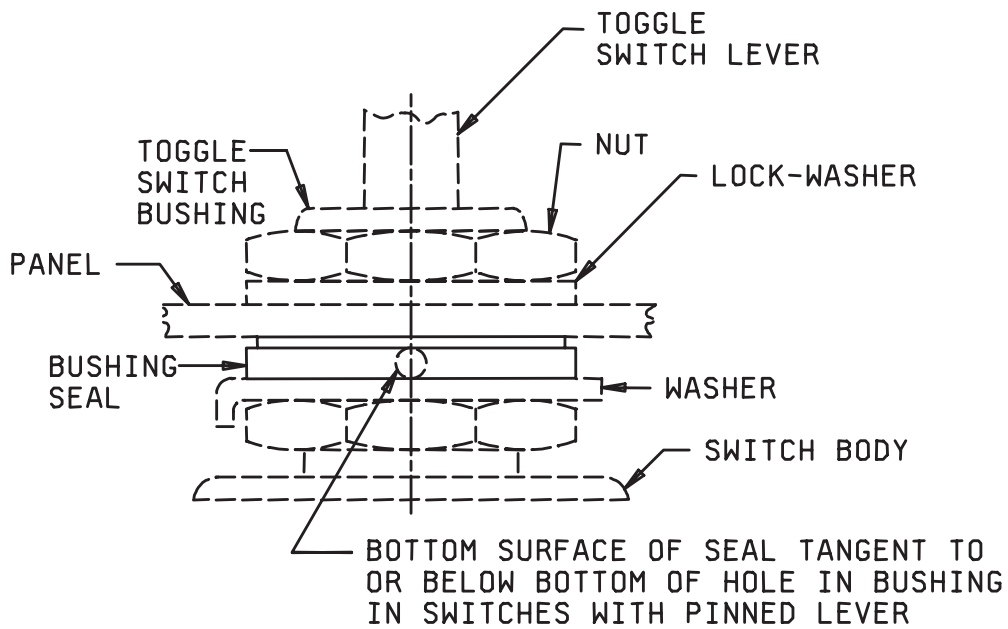
TOGGLE HARDWARE ASSEMBLY

TOGGLE HARDWARE STANDARD CONFIGURATION

TOGGLE HARDWARE
STANDARD ASSEMBLY CONFIGURATION
WHEN USING PANEL SEALS

MIL-DTL-5423/16E
17 February 2009
SUPERSEDING
MIL-DTL-5423/16D
AMENDMENT 1
12 May 2003

MIL-DTL-5423/16E



Note: Not applicable with all configurations.

Customer is responsible for keying the switch to the panel.

CROSS REFERENCE: MILITARY TO OTTO

MILITARY PART NO.	OTTO PART NO.	MILITARY PART NO.	OTTO PART NO.	MILITARY PART NO.	OTTO PART NO.	MILITARY PART NO.	OTTO PART NO.
M8805/96		M8805/101-010	B3-12142	M8805/110-1142	P7-114122	M8805/110-1256	P7-135126
M8805/96-001	PE-1111	M8805/101-011	B3-15141	M8805/110-1143	P7-114123	M8805/110-1257	P7-135127
M8805/96-002	PE-1112	M8805/101-012	B3-15142	M8805/110-1144	P7-114124	M8805/110-1258	P7-135128
M8805/96-003	PE-2111	M8805/101-013	B3-13141	M8805/110-1145	P7-114125	M8805/110-1259	P7-135129
M8805/96-004	PE-2112	M8805/101-014	B3-13142	M8805/110-1146	P7-114126	M8805/110-1261	P7-136121
M8805/96-005	PE-1121	M8805/101-015	B3-11131	M8805/110-1147	P7-114127	M8805/110-1262	P7-136122
M8805/96-006	PE-1122	M8805/101-016	B3-11132	M8805/110-1148	P7-114128	M8805/110-1263	P7-136123
M8805/96-007	PE-2121	M8805/101-017	B3-12131	M8805/110-1149	P7-114129	M8805/110-1264	P7-136124
M8805/96-008	PE-2122	M8805/101-018	B3-12132	M8805/110-1151	P7-115121	M8805/110-1265	P7-136125
M8805/96-009	PE-1211	M8805/101-019	B3-15131	M8805/110-1152	P7-115122	M8805/110-1266	P7-136126
M8805/96-010	PE-1212	M8805/101-020	B3-15132	M8805/110-1153	P7-115123	M8805/110-1267	P7-136127
M8805/96-011	PE-2211	M8805/101-021	B3-13131	M8805/110-1154	P7-115124	M8805/110-1268	P7-136128
M8805/96-012	PE-2212	M8805/101-022	B3-13132	M8805/110-1155	P7-115125	M8805/110-1269	P7-136129
M8805/96-013	PE-1221			M8805/110-1156	P7-115126	M8805/110-1311	P7-151121
M8805/96-014	PE-1222	M8805/104		M8805/110-1157	P7-115127	M8805/110-1312	P7-151122
M8805/96-015	PE-2221	M8805/104-001	P6-20001	M8805/110-1158	P7-115128	M8805/110-1313	P7-151123
M8805/96-016	PE-2222	M8805/104-002	P6-10002	M8805/110-1159	P7-115129	M8805/110-1314	P7-151124
		M8805/104-003	P6-20002	M8805/110-1161	P7-116121	M8805/110-1315	P7-151125
		M8805/104-004	P6-10003	M8805/110-1162	P7-116122	M8805/110-1316	P7-151126
M8805/99				M8805/110-1163	P7-116123	M8805/110-1317	P7-151127
M8805/99-009	PE2-11121			M8805/110-1164	P7-116124	M8805/110-1318	P7-151128
M8805/99-010	PE2-21121	M8805/106		M8805/110-1165	P7-116125	M8805/110-1319	P7-151129
M8805/99-011	PE2-31121	M8805/106-01	B2-200031	M8805/110-1166	P7-116126	M8805/110-1321	P7-152121
M8805/99-013	PE2-11111			M8805/110-1167	P7-116127	M8805/110-1322	P7-152122
M8805/99-014	PE2-21111	M8805/109		M8805/110-1168	P7-116128	M8805/110-1323	P7-152123
M8805/99-015	PE2-31111	M8805/109-01	B2-111351	M8805/110-1169	P7-116129	M8805/110-1324	P7-152124
M8805/99-025	PE2-11221	M8805/109-02	B2-112351	M8805/110-1211	P7-131121	M8805/110-1325	P7-152125
M8805/99-026	PE2-21221	M8805/109-03	B2-111353	M8805/110-1212	P7-131122	M8805/110-1326	P7-152126
M8805/99-027	PE2-31221	M8805/109-04	B2-112353	M8805/110-1213	P7-131123	M8805/110-1327	P7-152127
M8805/99-029	PE2-11211			M8805/110-1214	P7-131124	M8805/110-1328	P7-152128
M8805/99-030	PE2-21211	M8805/110		M8805/110-1215	P7-131125	M8805/110-1329	P7-152129
M8805/99-031	PE2-31211	M8805/110-1111	P7-111121	M8805/110-1216	P7-131126	M8805/110-1331	P7-153121
M8805/99-037	PE2-11131	M8805/110-1112	P7-111122	M8805/110-1217	P7-131127	M8805/110-1332	P7-153122
M8805/99-038	PE2-21131	M8805/110-1113	P7-111123	M8805/110-1218	P7-131128	M8805/110-1333	P7-153123
M8805/99-039	PE2-31131	M8805/110-1114	P7-111124	M8805/110-1219	P7-131129	M8805/110-1334	P7-153124
M8805/99-045	PE2-11231	M8805/110-1115	P7-111125	M8805/110-1221	P7-132121	M8805/110-1335	P7-153125
M8805/99-046	PE2-21231	M8805/110-1116	P7-111126	M8805/110-1222	P7-132122	M8805/110-1336	P7-153126
M8805/99-047	PE2-31231	M8805/110-1117	P7-111127	M8805/110-1223	P7-132123	M8805/110-1337	P7-153127
		M8805/110-1118	P7-111128	M8805/110-1224	P7-132124	M8805/110-1338	P7-153128
M8805/100		M8805/110-1119	P7-111129	M8805/110-1225	P7-132125	M8805/110-1339	P7-153129
M8805/100-007	P6-24043	M8805/110-1121	P7-112121	M8805/110-1226	P7-132126	M8805/110-1341	P7-154121
M8805/100-008	P6-24044	M8805/110-1122	P7-112122	M8805/110-1227	P7-132127	M8805/110-1342	P7-154122
M8805/100-009	P6-14035	M8805/110-1123	P7-112123	M8805/110-1228	P7-132128	M8805/110-1343	P7-154123
M8805/100-010	P6-14036	M8805/110-1124	P7-112124	M8805/110-1229	P7-132129	M8805/110-1344	P7-154124
M8805/100-015	P6-24007	M8805/110-1125	P7-112125	M8805/110-1241	P7-134121	M8805/110-1345	P7-154125
M8805/100-016	P6-24008	M8805/110-1126	P7-112126	M8805/110-1242	P7-134122	M8805/110-1346	P7-154126
M8805/100-017	P6-14005	M8805/110-1127	P7-112127	M8805/110-1243	P7-134123	M8805/110-1347	P7-154127
M8805/100-018	P6-14006	M8805/110-1128	P7-112128	M8805/110-1244	P7-134124	M8805/110-1348	P7-154128
		M8805/110-1129	P7-112129	M8805/110-1245	P7-134125	M8805/110-1349	P7-154129
M8805/101		M8805/110-1131	P7-113121	M8805/110-1246	P7-134126	M8805/110-1351	P7-155121
M8805/101-001	B3-10064	M8805/110-1132	P7-113122	M8805/110-1247	P7-134127	M8805/110-1352	P7-155122
M8805/101-002	B3-10065	M8805/110-1133	P7-113123	M8805/110-1248	P7-134128	M8805/110-1353	P7-155123
M8805/101-003	B3-10066	M8805/110-1134	P7-113124	M8805/110-1249	P7-134129	M8805/110-1354	P7-155124
M8805/101-004	B3-10067	M8805/110-1135	P7-113125	M8805/110-1251	P7-135121	M8805/110-1355	P7-155125
M8805/101-005	B3-10063	M8805/110-1136	P7-113126	M8805/110-1252	P7-135122	M8805/110-1356	P7-155126
M8805/101-006	B3-10072	M8805/110-1137	P7-113127	M8805/110-1253	P7-135123	M8805/110-1357	P7-155127
M8805/101-007	B3-11141	M8805/110-1138	P7-113128	M8805/110-1254	P7-135124	M8805/110-1358	P7-155128
M8805/101-008	B3-11142	M8805/110-1139	P7-113129	M8805/110-1255	P7-135125	M8805/110-1359	P7-155129
M8805/101-009	B3-12141	M8805/110-1141	P7-114121				

MILITARY CROSS REFERENCE

CROSS REFERENCE: MILITARY TO OTTO

MILITARY PART NO.	OTTO PART NO.	MILITARY PART NO.	OTTO PART NO.	MILITARY PART NO.	OTTO PART NO.	MILITARY PART NO.	OTTO PART NO.
M8805/110-1361	P7-156121	M8805/110-1465	P7-116225	M8805/110-1569	P7-136229	M8805/110-1714	P7-161124
M8805/110-1362	P7-156122	M8805/110-1466	P7-116226	M8805/110-1611	P7-151221	M8805/110-1715	P7-161125
M8805/110-1363	P7-156123	M8805/110-1467	P7-116227	M8805/110-1612	P7-151222	M8805/110-1716	P7-161126
M8805/110-1364	P7-156124	M8805/110-1468	P7-116228	M8805/110-1613	P7-151223	M8805/110-1717	P7-161127
M8805/110-1365	P7-156125	M8805/110-1469	P7-116229	M8805/110-1614	P7-151224	M8805/110-1718	P7-161128
M8805/110-1366	P7-156126	M8805/110-1511	P7-131221	M8805/110-1615	P7-151225	M8805/110-1719	P7-161129
M8805/110-1367	P7-156127	M8805/110-1512	P7-131222	M8805/110-1616	P7-151226	M8805/110-1721	P7-162121
M8805/110-1368	P7-156128	M8805/110-1513	P7-131223	M8805/110-1617	P7-151227	M8805/110-1722	P7-162122
M8805/110-1369	P7-156129	M8805/110-1514	P7-131224	M8805/110-1618	P7-151228	M8805/110-1723	P7-162123
M8805/110-1411	P7-111221	M8805/110-1515	P7-131225	M8805/110-1619	P7-151229	M8805/110-1724	P7-162124
M8805/110-1412	P7-111222	M8805/110-1516	P7-131226	M8805/110-1621	P7-152221	M8805/110-1725	P7-162125
M8805/110-1413	P7-111223	M8805/110-1517	P7-131227	M8805/110-1622	P7-152222	M8805/110-1726	P7-162126
M8805/110-1414	P7-111224	M8805/110-1518	P7-131228	M8805/110-1623	P7-152223	M8805/110-1727	P7-162127
M8805/110-1415	P7-111225	M8805/110-1519	P7-131229	M8805/110-1624	P7-152224	M8805/110-1728	P7-162128
M8805/110-1416	P7-111226	M8805/110-1521	P7-132221	M8805/110-1625	P7-152225	M8805/110-1729	P7-162129
M8805/110-1417	P7-111227	M8805/110-1522	P7-132222	M8805/110-1626	P7-152226	M8805/110-1731	P7-163121
M8805/110-1418	P7-111228	M8805/110-1523	P7-132223	M8805/110-1627	P7-152227	M8805/110-1732	P7-163122
M8805/110-1419	P7-111229	M8805/110-1524	P7-132224	M8805/110-1628	P7-152228	M8805/110-1733	P7-163123
M8805/110-1421	P7-112221	M8805/110-1525	P7-132225	M8805/110-1629	P7-152229	M8805/110-1734	P7-163124
M8805/110-1422	P7-112222	M8805/110-1526	P7-132226	M8805/110-1631	P7-153221	M8805/110-1735	P7-163125
M8805/110-1423	P7-112223	M8805/110-1527	P7-132227	M8805/110-1632	P7-153222	M8805/110-1736	P7-163126
M8805/110-1424	P7-112224	M8805/110-1528	P7-132228	M8805/110-1633	P7-153223	M8805/110-1737	P7-163127
M8805/110-1425	P7-112225	M8805/110-1529	P7-132229	M8805/110-1634	P7-153224	M8805/110-1738	P7-163128
M8805/110-1426	P7-112226	M8805/110-1531	P7-133221	M8805/110-1635	P7-153225	M8805/110-1739	P7-163129
M8805/110-1427	P7-112227	M8805/110-1532	P7-133222	M8805/110-1636	P7-153226	M8805/110-1741	P7-164121
M8805/110-1428	P7-112228	M8805/110-1533	P7-133223	M8805/110-1637	P7-153227	M8805/110-1742	P7-164122
M8805/110-1429	P7-112229	M8805/110-1534	P7-133224	M8805/110-1638	P7-153228	M8805/110-1743	P7-164123
M8805/110-1431	P7-113221	M8805/110-1535	P7-133225	M8805/110-1639	P7-153229	M8805/110-1744	P7-164124
M8805/110-1432	P7-113222	M8805/110-1536	P7-133226	M8805/110-1641	P7-154221	M8805/110-1745	P7-164125
M8805/110-1433	P7-113223	M8805/110-1537	P7-133227	M8805/110-1642	P7-154222	M8805/110-1746	P7-164126
M8805/110-1434	P7-113224	M8805/110-1538	P7-133228	M8805/110-1643	P7-154223	M8805/110-1747	P7-164127
M8805/110-1435	P7-113225	M8805/110-1539	P7-133229	M8805/110-1644	P7-154224	M8805/110-1748	P7-164128
M8805/110-1436	P7-113226	M8805/110-1541	P7-134221	M8805/110-1645	P7-154225	M8805/110-1749	P7-164129
M8805/110-1437	P7-113227	M8805/110-1542	P7-134222	M8805/110-1646	P7-154226	M8805/110-1751	P7-165121
M8805/110-1438	P7-113228	M8805/110-1543	P7-134223	M8805/110-1647	P7-154227	M8805/110-1752	P7-165122
M8805/110-1439	P7-113229	M8805/110-1544	P7-134224	M8805/110-1648	P7-154228	M8805/110-1753	P7-165123
M8805/110-1441	P7-114221	M8805/110-1545	P7-134225	M8805/110-1649	P7-154229	M8805/110-1754	P7-165124
M8805/110-1442	P7-114222	M8805/110-1546	P7-134226	M8805/110-1651	P7-155221	M8805/110-1755	P7-165125
M8805/110-1443	P7-114223	M8805/110-1547	P7-134227	M8805/110-1652	P7-155222	M8805/110-1756	P7-165126
M8805/110-1444	P7-114224	M8805/110-1548	P7-134228	M8805/110-1653	P7-155223	M8805/110-1757	P7-165127
M8805/110-1445	P7-114225	M8805/110-1549	P7-134229	M8805/110-1654	P7-155224	M8805/110-1758	P7-165128
M8805/110-1446	P7-114226	M8805/110-1551	P7-135221	M8805/110-1655	P7-155225	M8805/110-1759	P7-165129
M8805/110-1447	P7-114227	M8805/110-1552	P7-135222	M8805/110-1656	P7-155226	M8805/110-1761	P7-166121
M8805/110-1448	P7-114228	M8805/110-1553	P7-135223	M8805/110-1657	P7-155227	M8805/110-1762	P7-166122
M8805/110-1449	P7-114229	M8805/110-1554	P7-135224	M8805/110-1658	P7-155228	M8805/110-1763	P7-166123
M8805/110-1451	P7-115221	M8805/110-1555	P7-135225	M8805/110-1659	P7-155229	M8805/110-1764	P7-166124
M8805/110-1452	P7-115222	M8805/110-1556	P7-135226	M8805/110-1661	P7-156221	M8805/110-1765	P7-166125
M8805/110-1453	P7-115223	M8805/110-1557	P7-135227	M8805/110-1662	P7-156222	M8805/110-1766	P7-166126
M8805/110-1454	P7-115224	M8805/110-1558	P7-135228	M8805/110-1663	P7-156223	M8805/110-1767	P7-166127
M8805/110-1455	P7-115225	M8805/110-1559	P7-135229	M8805/110-1664	P7-156224	M8805/110-1768	P7-166128
M8805/110-1456	P7-115226	M8805/110-1561	P7-136221	M8805/110-1665	P7-156225	M8805/110-1769	P7-166129
M8805/110-1457	P7-115227	M8805/110-1562	P7-136222	M8805/110-1666	P7-156226	M8805/110-1811	P7-161221
M8805/110-1458	P7-115228	M8805/110-1563	P7-136223	M8805/110-1667	P7-156227	M8805/110-1812	P7-161222
M8805/110-1459	P7-115229	M8805/110-1564	P7-136224	M8805/110-1668	P7-156228	M8805/110-1813	P7-161223
M8805/110-1461	P7-116221	M8805/110-1565	P7-136225	M8805/110-1669	P7-156229	M8805/110-1814	P7-161224
M8805/110-1462	P7-116222	M8805/110-1566	P7-136226	M8805/110-1711	P7-161121	M8805/110-1815	P7-161225
M8805/110-1463	P7-116223	M8805/110-1567	P7-136227	M8805/110-1712	P7-161122	M8805/110-1816	P7-161226
M8805/110-1464	P7-116224	M8805/110-1568	P7-136228	M8805/110-1713	P7-161123	M8805/110-1817	P7-161227

CROSS REFERENCE: MILITARY TO OTTO

MILITARY PART NO.	OTTO PART NO.	MILITARY PART NO.	OTTO PART NO.	MILITARY PART NO.	OTTO PART NO.	MILITARY PART NO.	OTTO PART NO.
M8805/110-1818	P7-161228	M8805/110-2123	P7-212123	M8805/110-2227	P7-232127	M8805/110-2342	P7-254122
M8805/110-1819	P7-161229	M8805/110-2124	P7-212124	M8805/110-2228	P7-232128	M8805/110-2343	P7-254123
M8805/110-1821	P7-162221	M8805/110-2125	P7-212125	M8805/110-2229	P7-232129	M8805/110-2344	P7-254124
M8805/110-1822	P7-162222	M8805/110-2126	P7-212126	M8805/110-2241	P7-234121	M8805/110-2345	P7-254125
M8805/110-1823	P7-162223	M8805/110-2127	P7-212127	M8805/110-2242	P7-234122	M8805/110-2346	P7-254126
M8805/110-1824	P7-162224	M8805/110-2128	P7-212128	M8805/110-2243	P7-234123	M8805/110-2347	P7-254127
M8805/110-1825	P7-162225	M8805/110-2129	P7-212129	M8805/110-2244	P7-234124	M8805/110-2348	P7-254128
M8805/110-1826	P7-162226	M8805/110-2131	P7-213121	M8805/110-2245	P7-234125	M8805/110-2349	P7-254129
M8805/110-1827	P7-162227	M8805/110-2132	P7-213122	M8805/110-2246	P7-234126	M8805/110-2351	P7-255121
M8805/110-1828	P7-162228	M8805/110-2133	P7-213123	M8805/110-2247	P7-234127	M8805/110-2352	P7-255122
M8805/110-1829	P7-162229	M8805/110-2134	P7-213124	M8805/110-2248	P7-234128	M8805/110-2353	P7-255123
M8805/110-1831	P7-163221	M8805/110-2135	P7-213125	M8805/110-2249	P7-234129	M8805/110-2354	P7-255124
M8805/110-1832	P7-163222	M8805/110-2136	P7-213126	M8805/110-2251	P7-235121	M8805/110-2355	P7-255125
M8805/110-1833	P7-163223	M8805/110-2137	P7-213127	M8805/110-2252	P7-235122	M8805/110-2356	P7-255126
M8805/110-1834	P7-163224	M8805/110-2138	P7-213128	M8805/110-2253	P7-235123	M8805/110-2357	P7-255127
M8805/110-1835	P7-163225	M8805/110-2139	P7-213129	M8805/110-2254	P7-235124	M8805/110-2358	P7-255128
M8805/110-1836	P7-163226	M8805/110-2141	P7-214121	M8805/110-2255	P7-235125	M8805/110-2359	P7-255129
M8805/110-1837	P7-163227	M8805/110-2142	P7-214122	M8805/110-2256	P7-235126	M8805/110-2361	P7-256121
M8805/110-1838	P7-163228	M8805/110-2143	P7-214123	M8805/110-2257	P7-235127	M8805/110-2362	P7-256122
M8805/110-1839	P7-163229	M8805/110-2144	P7-214124	M8805/110-2258	P7-235128	M8805/110-2363	P7-256123
M8805/110-1841	P7-164221	M8805/110-2145	P7-214125	M8805/110-2259	P7-235129	M8805/110-2364	P7-256124
M8805/110-1842	P7-164222	M8805/110-2146	P7-214126	M8805/110-2261	P7-236121	M8805/110-2365	P7-256125
M8805/110-1843	P7-164223	M8805/110-2147	P7-214127	M8805/110-2262	P7-236122	M8805/110-2366	P7-256126
M8805/110-1844	P7-164224	M8805/110-2148	P7-214128	M8805/110-2263	P7-236123	M8805/110-2367	P7-256127
M8805/110-1845	P7-164225	M8805/110-2149	P7-214129	M8805/110-2264	P7-236124	M8805/110-2368	P7-256128
M8805/110-1846	P7-164226	M8805/110-2151	P7-215121	M8805/110-2265	P7-236125	M8805/110-2369	P7-256129
M8805/110-1847	P7-164227	M8805/110-2152	P7-215122	M8805/110-2266	P7-236126	M8805/110-2411	P7-211221
M8805/110-1848	P7-164228	M8805/110-2153	P7-215123	M8805/110-2267	P7-236127	M8805/110-2412	P7-211222
M8805/110-1849	P7-164229	M8805/110-2154	P7-215124	M8805/110-2268	P7-236128	M8805/110-2413	P7-211223
M8805/110-1851	P7-165221	M8805/110-2155	P7-215125	M8805/110-2269	P7-236129	M8805/110-2414	P7-211224
M8805/110-1852	P7-165222	M8805/110-2156	P7-215126	M8805/110-2311	P7-251121	M8805/110-2415	P7-211225
M8805/110-1853	P7-165223	M8805/110-2157	P7-215127	M8805/110-2312	P7-251122	M8805/110-2416	P7-211226
M8805/110-1854	P7-165224	M8805/110-2158	P7-215128	M8805/110-2313	P7-251123	M8805/110-2417	P7-211227
M8805/110-1855	P7-165225	M8805/110-2159	P7-215129	M8805/110-2314	P7-251124	M8805/110-2418	P7-211228
M8805/110-1856	P7-165226	M8805/110-2161	P7-216121	M8805/110-2315	P7-251125	M8805/110-2419	P7-211229
M8805/110-1857	P7-165227	M8805/110-2162	P7-216122	M8805/110-2316	P7-251126	M8805/110-2421	P7-212221
M8805/110-1858	P7-165228	M8805/110-2163	P7-216123	M8805/110-2317	P7-251127	M8805/110-2422	P7-212222
M8805/110-1859	P7-165229	M8805/110-2164	P7-216124	M8805/110-2318	P7-251128	M8805/110-2423	P7-212223
M8805/110-1861	P7-166221	M8805/110-2165	P7-216125	M8805/110-2319	P7-251129	M8805/110-2424	P7-212224
M8805/110-1862	P7-166222	M8805/110-2166	P7-216126	M8805/110-2321	P7-252121	M8805/110-2425	P7-212225
M8805/110-1863	P7-166223	M8805/110-2167	P7-216127	M8805/110-2322	P7-252122	M8805/110-2426	P7-212226
M8805/110-1864	P7-166224	M8805/110-2168	P7-216128	M8805/110-2323	P7-252123	M8805/110-2427	P7-212227
M8805/110-1865	P7-166225	M8805/110-2169	P7-216129	M8805/110-2324	P7-252124	M8805/110-2428	P7-212228
M8805/110-1866	P7-166226	M8805/110-2211	P7-231121	M8805/110-2325	P7-252125	M8805/110-2429	P7-212229
M8805/110-1867	P7-166227	M8805/110-2212	P7-231122	M8805/110-2326	P7-252126	M8805/110-2431	P7-213221
M8805/110-1868	P7-166228	M8805/110-2213	P7-231123	M8805/110-2327	P7-252127	M8805/110-2432	P7-213222
M8805/110-1869	P7-166229	M8805/110-2214	P7-231124	M8805/110-2328	P7-252128	M8805/110-2433	P7-213223
M8805/110-2111	P7-211121	M8805/110-2215	P7-231125	M8805/110-2329	P7-252129	M8805/110-2434	P7-213224
M8805/110-2112	P7-211122	M8805/110-2216	P7-231126	M8805/110-2331	P7-253121	M8805/110-2435	P7-213225
M8805/110-2113	P7-211123	M8805/110-2217	P7-231127	M8805/110-2332	P7-253122	M8805/110-2436	P7-213226
M8805/110-2114	P7-211124	M8805/110-2218	P7-231128	M8805/110-2333	P7-253123	M8805/110-2437	P7-213227
M8805/110-2115	P7-211125	M8805/110-2219	P7-231129	M8805/110-2334	P7-253124	M8805/110-2438	P7-213228
M8805/110-2116	P7-211126	M8805/110-2221	P7-232121	M8805/110-2335	P7-253125	M8805/110-2439	P7-213229
M8805/110-2117	P7-211127	M8805/110-2222	P7-232122	M8805/110-2336	P7-253126	M8805/110-2441	P7-214221
M8805/110-2118	P7-211128	M8805/110-2223	P7-232123	M8805/110-2337	P7-253127	M8805/110-2442	P7-214222
M8805/110-2119	P7-211129	M8805/110-2224	P7-232124	M8805/110-2338	P7-253128	M8805/110-2443	P7-214223
M8805/110-2121	P7-212121	M8805/110-2225	P7-232125	M8805/110-2339	P7-253129	M8805/110-2444	P7-214224
M8805/110-2122	P7-212122	M8805/110-2226	P7-232126	M8805/110-2341	P7-254121	M8805/110-2445	P7-214225

CROSS REFERENCE: MILITARY TO OTTO

MILITARY PART NO.	OTTO PART NO.	MILITARY PART NO.	OTTO PART NO.	MILITARY PART NO.	OTTO PART NO.	MILITARY PART NO.	OTTO PART NO.
M8805/110-2446	P7-214226	M8805/110-2551	P7-235221	M8805/110-2655	P7-255225	M8805/110-2759	P7-265129
M8805/110-2447	P7-214227	M8805/110-2552	P7-235222	M8805/110-2656	P7-255226	M8805/110-2761	P7-266121
M8805/110-2448	P7-214228	M8805/110-2553	P7-235223	M8805/110-2657	P7-255227	M8805/110-2762	P7-266122
M8805/110-2449	P7-214229	M8805/110-2554	P7-235224	M8805/110-2658	P7-255228	M8805/110-2763	P7-266123
M8805/110-2451	P7-215221	M8805/110-2555	P7-235225	M8805/110-2659	P7-255229	M8805/110-2764	P7-266124
M8805/110-2452	P7-215222	M8805/110-2556	P7-235226	M8805/110-2661	P7-256221	M8805/110-2765	P7-266125
M8805/110-2453	P7-215223	M8805/110-2557	P7-235227	M8805/110-2662	P7-256222	M8805/110-2766	P7-266126
M8805/110-2454	P7-215224	M8805/110-2558	P7-235228	M8805/110-2663	P7-256223	M8805/110-2767	P7-266127
M8805/110-2455	P7-215225	M8805/110-2559	P7-235229	M8805/110-2664	P7-256224	M8805/110-2768	P7-266128
M8805/110-2456	P7-215226	M8805/110-2561	P7-236221	M8805/110-2665	P7-256225	M8805/110-2769	P7-266129
M8805/110-2457	P7-215227	M8805/110-2562	P7-236222	M8805/110-2666	P7-256226	M8805/110-2811	P7-261221
M8805/110-2458	P7-215228	M8805/110-2563	P7-236223	M8805/110-2667	P7-256227	M8805/110-2812	P7-261222
M8805/110-2459	P7-215229	M8805/110-2564	P7-236224	M8805/110-2668	P7-256228	M8805/110-2813	P7-261223
M8805/110-2461	P7-216221	M8805/110-2565	P7-236225	M8805/110-2669	P7-256229	M8805/110-2814	P7-261224
M8805/110-2462	P7-216222	M8805/110-2566	P7-236226	M8805/110-2711	P7-261121	M8805/110-2815	P7-261225
M8805/110-2463	P7-216223	M8805/110-2567	P7-236227	M8805/110-2712	P7-261122	M8805/110-2816	P7-261226
M8805/110-2464	P7-216224	M8805/110-2568	P7-236228	M8805/110-2713	P7-261123	M8805/110-2817	P7-261227
M8805/110-2465	P7-216225	M8805/110-2569	P7-236229	M8805/110-2714	P7-261124	M8805/110-2818	P7-261228
M8805/110-2466	P7-216226	M8805/110-2611	P7-251221	M8805/110-2715	P7-261125	M8805/110-2819	P7-261229
M8805/110-2467	P7-216227	M8805/110-2612	P7-251222	M8805/110-2716	P7-261126	M8805/110-2821	P7-262221
M8805/110-2468	P7-216228	M8805/110-2613	P7-251223	M8805/110-2717	P7-261127	M8805/110-2822	P7-262222
M8805/110-2469	P7-216229	M8805/110-2614	P7-251224	M8805/110-2718	P7-261128	M8805/110-2823	P7-262223
M8805/110-2511	P7-231221	M8805/110-2615	P7-251225	M8805/110-2719	P7-261129	M8805/110-2824	P7-262224
M8805/110-2512	P7-231222	M8805/110-2616	P7-251226	M8805/110-2721	P7-262121	M8805/110-2825	P7-262225
M8805/110-2513	P7-231223	M8805/110-2617	P7-251227	M8805/110-2722	P7-262122	M8805/110-2826	P7-262226
M8805/110-2514	P7-231224	M8805/110-2618	P7-251228	M8805/110-2723	P7-262123	M8805/110-2827	P7-262227
M8805/110-2515	P7-231225	M8805/110-2619	P7-251229	M8805/110-2724	P7-262124	M8805/110-2828	P7-262228
M8805/110-2516	P7-231226	M8805/110-2621	P7-252221	M8805/110-2725	P7-262125	M8805/110-2829	P7-262229
M8805/110-2517	P7-231227	M8805/110-2622	P7-252222	M8805/110-2726	P7-262126	M8805/110-2831	P7-263221
M8805/110-2518	P7-231228	M8805/110-2623	P7-252223	M8805/110-2727	P7-262127	M8805/110-2832	P7-263222
M8805/110-2519	P7-231229	M8805/110-2624	P7-252224	M8805/110-2728	P7-262128	M8805/110-2833	P7-263223
M8805/110-2521	P7-232221	M8805/110-2625	P7-252225	M8805/110-2729	P7-262129	M8805/110-2834	P7-263224
M8805/110-2522	P7-232222	M8805/110-2626	P7-252226	M8805/110-2731	P7-263121	M8805/110-2835	P7-263225
M8805/110-2523	P7-232223	M8805/110-2627	P7-252227	M8805/110-2732	P7-263122	M8805/110-2836	P7-263226
M8805/110-2524	P7-232224	M8805/110-2628	P7-252228	M8805/110-2733	P7-263123	M8805/110-2837	P7-263227
M8805/110-2525	P7-232225	M8805/110-2629	P7-252229	M8805/110-2734	P7-263124	M8805/110-2838	P7-263228
M8805/110-2526	P7-232226	M8805/110-2631	P7-253221	M8805/110-2735	P7-263125	M8805/110-2839	P7-263229
M8805/110-2527	P7-232227	M8805/110-2632	P7-253222	M8805/110-2736	P7-263126	M8805/110-2841	P7-264221
M8805/110-2528	P7-232228	M8805/110-2633	P7-253223	M8805/110-2737	P7-263127	M8805/110-2842	P7-264222
M8805/110-2529	P7-232229	M8805/110-2634	P7-253224	M8805/110-2738	P7-263128	M8805/110-2843	P7-264223
M8805/110-2531	P7-233221	M8805/110-2635	P7-253225	M8805/110-2739	P7-263129	M8805/110-2844	P7-264224
M8805/110-2532	P7-233222	M8805/110-2636	P7-253226	M8805/110-2741	P7-264121	M8805/110-2845	P7-264225
M8805/110-2533	P7-233223	M8805/110-2637	P7-253227	M8805/110-2742	P7-264122	M8805/110-2846	P7-264226
M8805/110-2534	P7-233224	M8805/110-2638	P7-253228	M8805/110-2743	P7-264123	M8805/110-2847	P7-264227
M8805/110-2535	P7-233225	M8805/110-2639	P7-253229	M8805/110-2744	P7-264124	M8805/110-2848	P7-264228
M8805/110-2536	P7-233226	M8805/110-2641	P7-254221	M8805/110-2745	P7-264125	M8805/110-2849	P7-264229
M8805/110-2537	P7-233227	M8805/110-2642	P7-254222	M8805/110-2746	P7-264126	M8805/110-2851	P7-265221
M8805/110-2538	P7-233228	M8805/110-2643	P7-254223	M8805/110-2747	P7-264127	M8805/110-2852	P7-265222
M8805/110-2539	P7-233229	M8805/110-2644	P7-254224	M8805/110-2748	P7-264128	M8805/110-2853	P7-265223
M8805/110-2541	P7-234221	M8805/110-2645	P7-254225	M8805/110-2749	P7-264129	M8805/110-2854	P7-265224
M8805/110-2542	P7-234222	M8805/110-2646	P7-254226	M8805/110-2751	P7-265121	M8805/110-2855	P7-265225
M8805/110-2543	P7-234223	M8805/110-2647	P7-254227	M8805/110-2752	P7-265122	M8805/110-2856	P7-265226
M8805/110-2544	P7-234224	M8805/110-2648	P7-254228	M8805/110-2753	P7-265123	M8805/110-2857	P7-265227
M8805/110-2545	P7-234225	M8805/110-2649	P7-254229	M8805/110-2754	P7-265124	M8805/110-2858	P7-265228
M8805/110-2546	P7-234226	M8805/110-2651	P7-255221	M8805/110-2755	P7-265125	M8805/110-2859	P7-265229
M8805/110-2547	P7-234227	M8805/110-2652	P7-255222	M8805/110-2756	P7-265126	M8805/110-2861	P7-266221
M8805/110-2548	P7-234228	M8805/110-2653	P7-255223	M8805/110-2757	P7-265127	M8805/110-2862	P7-266222
M8805/110-2549	P7-234229	M8805/110-2654	P7-255224	M8805/110-2758	P7-265128	M8805/110-2863	P7-266223

CROSS REFERENCE: MILITARY TO OTTO

MILITARY PART NO.	OTTO PART NO.	MILITARY PART NO.	OTTO PART NO.	MILITARY PART NO.	OTTO PART NO.	MILITARY PART NO.	OTTO PART NO.
M8805/110-2864	P7-266224	M8805/110-3168	P7-316128	M8805/110-3323	P7-352123	M8805/110-3427	P7-312227
M8805/110-2865	P7-266225	M8805/110-3169	P7-316129	M8805/110-3324	P7-352124	M8805/110-3428	P7-312228
M8805/110-2866	P7-266226	M8805/110-3211	P7-331121	M8805/110-3325	P7-352125	M8805/110-3429	P7-312229
M8805/110-2867	P7-266227	M8805/110-3212	P7-331122	M8805/110-3326	P7-352126	M8805/110-3431	P7-313221
M8805/110-2868	P7-266228	M8805/110-3213	P7-331123	M8805/110-3327	P7-352127	M8805/110-3432	P7-313222
M8805/110-2869	P7-266229	M8805/110-3214	P7-331124	M8805/110-3328	P7-352128	M8805/110-3433	P7-313223
M8805/110-3111	P7-311121	M8805/110-3215	P7-331125	M8805/110-3329	P7-352129	M8805/110-3434	P7-313224
M8805/110-3112	P7-311122	M8805/110-3216	P7-331126	M8805/110-3331	P7-353121	M8805/110-3435	P7-313225
M8805/110-3113	P7-311123	M8805/110-3217	P7-331127	M8805/110-3332	P7-353122	M8805/110-3436	P7-313226
M8805/110-3114	P7-311124	M8805/110-3218	P7-331128	M8805/110-3333	P7-353123	M8805/110-3437	P7-313227
M8805/110-3115	P7-311125	M8805/110-3219	P7-331129	M8805/110-3334	P7-353124	M8805/110-3438	P7-313228
M8805/110-3116	P7-311126	M8805/110-3221	P7-332121	M8805/110-3335	P7-353125	M8805/110-3439	P7-313229
M8805/110-3117	P7-311127	M8805/110-3222	P7-332122	M8805/110-3336	P7-353126	M8805/110-3441	P7-314221
M8805/110-3118	P7-311128	M8805/110-3223	P7-332123	M8805/110-3337	P7-353127	M8805/110-3442	P7-314222
M8805/110-3119	P7-311129	M8805/110-3224	P7-332124	M8805/110-3338	P7-353128	M8805/110-3443	P7-314223
M8805/110-3121	P7-312121	M8805/110-3225	P7-332125	M8805/110-3339	P7-353129	M8805/110-3444	P7-314224
M8805/110-3122	P7-312122	M8805/110-3226	P7-332126	M8805/110-3341	P7-354121	M8805/110-3445	P7-314225
M8805/110-3123	P7-312123	M8805/110-3227	P7-332127	M8805/110-3342	P7-354122	M8805/110-3446	P7-314226
M8805/110-3124	P7-312124	M8805/110-3228	P7-332128	M8805/110-3343	P7-354123	M8805/110-3447	P7-314227
M8805/110-3125	P7-312125	M8805/110-3229	P7-332129	M8805/110-3344	P7-354124	M8805/110-3448	P7-314228
M8805/110-3126	P7-312126	M8805/110-3241	P7-334121	M8805/110-3345	P7-354125	M8805/110-3449	P7-314229
M8805/110-3127	P7-312127	M8805/110-3242	P7-334122	M8805/110-3346	P7-354126	M8805/110-3451	P7-315221
M8805/110-3128	P7-312128	M8805/110-3243	P7-334123	M8805/110-3347	P7-354127	M8805/110-3452	P7-315222
M8805/110-3129	P7-312129	M8805/110-3244	P7-334124	M8805/110-3348	P7-354128	M8805/110-3453	P7-315223
M8805/110-3131	P7-313121	M8805/110-3245	P7-334125	M8805/110-3349	P7-354129	M8805/110-3454	P7-315224
M8805/110-3132	P7-313122	M8805/110-3246	P7-334126	M8805/110-3351	P7-355121	M8805/110-3455	P7-315225
M8805/110-3133	P7-313123	M8805/110-3247	P7-334127	M8805/110-3352	P7-355122	M8805/110-3456	P7-315226
M8805/110-3134	P7-313124	M8805/110-3248	P7-334128	M8805/110-3353	P7-355123	M8805/110-3457	P7-315227
M8805/110-3135	P7-313125	M8805/110-3249	P7-334129	M8805/110-3354	P7-355124	M8805/110-3458	P7-315228
M8805/110-3136	P7-313126	M8805/110-3251	P7-335121	M8805/110-3355	P7-355125	M8805/110-3459	P7-315229
M8805/110-3137	P7-313127	M8805/110-3252	P7-335122	M8805/110-3356	P7-355126	M8805/110-3461	P7-316221
M8805/110-3138	P7-313128	M8805/110-3253	P7-335123	M8805/110-3357	P7-355127	M8805/110-3462	P7-316222
M8805/110-3139	P7-313129	M8805/110-3254	P7-335124	M8805/110-3358	P7-355128	M8805/110-3463	P7-316223
M8805/110-3141	P7-314121	M8805/110-3255	P7-335125	M8805/110-3359	P7-355129	M8805/110-3464	P7-316224
M8805/110-3142	P7-314122	M8805/110-3256	P7-335126	M8805/110-3361	P7-356121	M8805/110-3465	P7-316225
M8805/110-3143	P7-314123	M8805/110-3257	P7-335127	M8805/110-3362	P7-356122	M8805/110-3466	P7-316226
M8805/110-3144	P7-314124	M8805/110-3258	P7-335128	M8805/110-3363	P7-356123	M8805/110-3467	P7-316227
M8805/110-3145	P7-314125	M8805/110-3259	P7-335129	M8805/110-3364	P7-356124	M8805/110-3468	P7-316228
M8805/110-3146	P7-314126	M8805/110-3261	P7-336121	M8805/110-3365	P7-356125	M8805/110-3469	P7-316229
M8805/110-3147	P7-314127	M8805/110-3262	P7-336122	M8805/110-3366	P7-356126	M8805/110-3511	P7-331221
M8805/110-3148	P7-314128	M8805/110-3263	P7-336123	M8805/110-3367	P7-356127	M8805/110-3512	P7-331222
M8805/110-3149	P7-314129	M8805/110-3264	P7-336124	M8805/110-3368	P7-356128	M8805/110-3513	P7-331223
M8805/110-3151	P7-315121	M8805/110-3265	P7-336125	M8805/110-3369	P7-356129	M8805/110-3514	P7-331224
M8805/110-3152	P7-315122	M8805/110-3266	P7-336126	M8805/110-3411	P7-311221	M8805/110-3515	P7-331225
M8805/110-3153	P7-315123	M8805/110-3267	P7-336127	M8805/110-3412	P7-311222	M8805/110-3516	P7-331226
M8805/110-3154	P7-315124	M8805/110-3268	P7-336128	M8805/110-3413	P7-311223	M8805/110-3517	P7-331227
M8805/110-3155	P7-315125	M8805/110-3269	P7-336129	M8805/110-3414	P7-311224	M8805/110-3518	P7-331228
M8805/110-3156	P7-315126	M8805/110-3311	P7-351121	M8805/110-3415	P7-311225	M8805/110-3519	P7-331229
M8805/110-3157	P7-315127	M8805/110-3312	P7-351122	M8805/110-3416	P7-311226	M8805/110-3521	P7-332221
M8805/110-3158	P7-315128	M8805/110-3313	P7-351123	M8805/110-3417	P7-311227	M8805/110-3522	P7-332222
M8805/110-3159	P7-315129	M8805/110-3314	P7-351124	M8805/110-3418	P7-311228	M8805/110-3523	P7-332223
M8805/110-3161	P7-316121	M8805/110-3315	P7-351125	M8805/110-3419	P7-311229	M8805/110-3524	P7-332224
M8805/110-3162	P7-316122	M8805/110-3316	P7-351126	M8805/110-3421	P7-312221	M8805/110-3525	P7-332225
M8805/110-3163	P7-316123	M8805/110-3317	P7-351127	M8805/110-3422	P7-312222	M8805/110-3526	P7-332226
M8805/110-3164	P7-316124	M8805/110-3318	P7-351128	M8805/110-3423	P7-312223	M8805/110-3527	P7-332227
M8805/110-3165	P7-316125	M8805/110-3319	P7-351129	M8805/110-3424	P7-312224	M8805/110-3528	P7-332228
M8805/110-3166	P7-316126	M8805/110-3321	P7-352121	M8805/110-3425	P7-312225	M8805/110-3529	P7-332229
M8805/110-3167	P7-316127	M8805/110-3322	P7-352122	M8805/110-3426	P7-312226	M8805/110-3531	P7-333221

MILITARY CROSS REFERENCE

CROSS REFERENCE: MILITARY TO OTTO

MILITARY PART NO.	OTTO PART NO.	MILITARY PART NO.	OTTO PART NO.	MILITARY PART NO.	OTTO PART NO.	MILITARY PART NO.	OTTO PART NO.
M8805/110-3532	P7-333222	M8805/110-3636	P7-353226	M8805/110-3741	P7-364121	M8805/110-3845	P7-364225
M8805/110-3533	P7-333223	M8805/110-3637	P7-353227	M8805/110-3742	P7-364122	M8805/110-3846	P7-364226
M8805/110-3534	P7-333224	M8805/110-3638	P7-353228	M8805/110-3743	P7-364123	M8805/110-3847	P7-364227
M8805/110-3535	P7-333225	M8805/110-3639	P7-353229	M8805/110-3744	P7-364124	M8805/110-3848	P7-364228
M8805/110-3536	P7-333226	M8805/110-3641	P7-354221	M8805/110-3745	P7-364125	M8805/110-3849	P7-364229
M8805/110-3537	P7-333227	M8805/110-3642	P7-354222	M8805/110-3746	P7-364126	M8805/110-3851	P7-365221
M8805/110-3538	P7-333228	M8805/110-3643	P7-354223	M8805/110-3747	P7-364127	M8805/110-3852	P7-365222
M8805/110-3539	P7-333229	M8805/110-3644	P7-354224	M8805/110-3748	P7-364128	M8805/110-3853	P7-365223
M8805/110-3541	P7-334221	M8805/110-3645	P7-354225	M8805/110-3749	P7-364129	M8805/110-3854	P7-365224
M8805/110-3542	P7-334222	M8805/110-3646	P7-354226	M8805/110-3751	P7-365121	M8805/110-3855	P7-365225
M8805/110-3543	P7-334223	M8805/110-3647	P7-354227	M8805/110-3752	P7-365122	M8805/110-3856	P7-365226
M8805/110-3544	P7-334224	M8805/110-3648	P7-354228	M8805/110-3753	P7-365123	M8805/110-3857	P7-365227
M8805/110-3545	P7-334225	M8805/110-3649	P7-354229	M8805/110-3754	P7-365124	M8805/110-3858	P7-365228
M8805/110-3546	P7-334226	M8805/110-3651	P7-355221	M8805/110-3755	P7-365125	M8805/110-3859	P7-365229
M8805/110-3547	P7-334227	M8805/110-3652	P7-355222	M8805/110-3756	P7-365126	M8805/110-3861	P7-366221
M8805/110-3548	P7-334228	M8805/110-3653	P7-355223	M8805/110-3757	P7-365127	M8805/110-3862	P7-366222
M8805/110-3549	P7-334229	M8805/110-3654	P7-355224	M8805/110-3758	P7-365128	M8805/110-3863	P7-366223
M8805/110-3551	P7-335221	M8805/110-3655	P7-355225	M8805/110-3759	P7-365129	M8805/110-3864	P7-366224
M8805/110-3552	P7-335222	M8805/110-3656	P7-355226	M8805/110-3761	P7-366121	M8805/110-3865	P7-366225
M8805/110-3553	P7-335223	M8805/110-3657	P7-355227	M8805/110-3762	P7-366122	M8805/110-3866	P7-366226
M8805/110-3554	P7-335224	M8805/110-3658	P7-355228	M8805/110-3763	P7-366123	M8805/110-3867	P7-366227
M8805/110-3555	P7-335225	M8805/110-3659	P7-355229	M8805/110-3764	P7-366124	M8805/110-3868	P7-366228
M8805/110-3556	P7-335226	M8805/110-3661	P7-356221	M8805/110-3765	P7-366125	M8805/110-3869	P7-366229
M8805/110-3557	P7-335227	M8805/110-3662	P7-356222	M8805/110-3766	P7-366126	M8805/110-5111	P7-511121
M8805/110-3558	P7-335228	M8805/110-3663	P7-356223	M8805/110-3767	P7-366127	M8805/110-5112	P7-511122
M8805/110-3559	P7-335229	M8805/110-3664	P7-356224	M8805/110-3768	P7-366128	M8805/110-5113	P7-511123
M8805/110-3561	P7-336221	M8805/110-3665	P7-356225	M8805/110-3769	P7-366129	M8805/110-5114	P7-511124
M8805/110-3562	P7-336222	M8805/110-3666	P7-356226	M8805/110-3811	P7-361221	M8805/110-5115	P7-511125
M8805/110-3563	P7-336223	M8805/110-3667	P7-356227	M8805/110-3812	P7-361222	M8805/110-5116	P7-511126
M8805/110-3564	P7-336224	M8805/110-3668	P7-356228	M8805/110-3813	P7-361223	M8805/110-5117	P7-511127
M8805/110-3565	P7-336225	M8805/110-3669	P7-356229	M8805/110-3814	P7-361224	M8805/110-5118	P7-511128
M8805/110-3566	P7-336226	M8805/110-3711	P7-361121	M8805/110-3815	P7-361225	M8805/110-5119	P7-511129
M8805/110-3567	P7-336227	M8805/110-3712	P7-361122	M8805/110-3816	P7-361226	M8805/110-5121	P7-512121
M8805/110-3568	P7-336228	M8805/110-3713	P7-361123	M8805/110-3817	P7-361227	M8805/110-5122	P7-512122
M8805/110-3569	P7-336229	M8805/110-3714	P7-361124	M8805/110-3818	P7-361228	M8805/110-5123	P7-512123
M8805/110-3611	P7-351221	M8805/110-3715	P7-361125	M8805/110-3819	P7-361229	M8805/110-5124	P7-512124
M8805/110-3612	P7-351222	M8805/110-3716	P7-361126	M8805/110-3821	P7-362221	M8805/110-5125	P7-512125
M8805/110-3613	P7-351223	M8805/110-3717	P7-361127	M8805/110-3822	P7-362222	M8805/110-5126	P7-512126
M8805/110-3614	P7-351224	M8805/110-3718	P7-361128	M8805/110-3823	P7-362223	M8805/110-5127	P7-512127
M8805/110-3615	P7-351225	M8805/110-3719	P7-361129	M8805/110-3824	P7-362224	M8805/110-5128	P7-512128
M8805/110-3616	P7-351226	M8805/110-3721	P7-362121	M8805/110-3825	P7-362225	M8805/110-5129	P7-512129
M8805/110-3617	P7-351227	M8805/110-3722	P7-362122	M8805/110-3826	P7-362226	M8805/110-5131	P7-513121
M8805/110-3618	P7-351228	M8805/110-3723	P7-362123	M8805/110-3827	P7-362227	M8805/110-5132	P7-513122
M8805/110-3619	P7-351229	M8805/110-3724	P7-362124	M8805/110-3828	P7-362228	M8805/110-5133	P7-513123
M8805/110-3621	P7-352221	M8805/110-3725	P7-362125	M8805/110-3829	P7-362229	M8805/110-5134	P7-513124
M8805/110-3622	P7-352222	M8805/110-3726	P7-362126	M8805/110-3831	P7-363221	M8805/110-5135	P7-513125
M8805/110-3623	P7-352223	M8805/110-3727	P7-362127	M8805/110-3832	P7-363222	M8805/110-5136	P7-513126
M8805/110-3624	P7-352224	M8805/110-3728	P7-362128	M8805/110-3833	P7-363223	M8805/110-5137	P7-513127
M8805/110-3625	P7-352225	M8805/110-3729	P7-362129	M8805/110-3834	P7-363224	M8805/110-5138	P7-513128
M8805/110-3626	P7-352226	M8805/110-3731	P7-363121	M8805/110-3835	P7-363225	M8805/110-5139	P7-513129
M8805/110-3627	P7-352227	M8805/110-3732	P7-363122	M8805/110-3836	P7-363226	M8805/110-5141	P7-514121
M8805/110-3628	P7-352228	M8805/110-3733	P7-363123	M8805/110-3837	P7-363227	M8805/110-5142	P7-514122
M8805/110-3629	P7-352229	M8805/110-3734	P7-363124	M8805/110-3838	P7-363228	M8805/110-5143	P7-514123
M8805/110-3631	P7-353221	M8805/110-3735	P7-363125	M8805/110-3839	P7-363229	M8805/110-5144	P7-514124
M8805/110-3632	P7-353222	M8805/110-3736	P7-363126	M8805/110-3841	P7-364221	M8805/110-5145	P7-514125
M8805/110-3633	P7-353223	M8805/110-3737	P7-363127	M8805/110-3842	P7-364222	M8805/110-5146	P7-514126
M8805/110-3634	P7-353224	M8805/110-3738	P7-363128	M8805/110-3843	P7-364223	M8805/110-5147	P7-514127
M8805/110-3635	P7-353225	M8805/110-3739	P7-363129	M8805/110-3844	P7-364224	M8805/110-5148	P7-514128

CROSS REFERENCE: MILITARY TO OTTO

MILITARY PART NO.	OTTO PART NO.	MILITARY PART NO.	OTTO PART NO.	MILITARY PART NO.	OTTO PART NO.	MILITARY PART NO.	OTTO PART NO.
M8805/110-5149	P7-514129	M8805/110-5264	P7-536124	M8805/110-5368	P7-556128	M8805/110-5513	P7-531223
M8805/110-5151	P7-515121	M8805/110-5265	P7-536125	M8805/110-5369	P7-556129	M8805/110-5514	P7-531224
M8805/110-5152	P7-515122	M8805/110-5266	P7-536126	M8805/110-5411	P7-511221	M8805/110-5515	P7-531225
M8805/110-5153	P7-515123	M8805/110-5267	P7-536127	M8805/110-5412	P7-511222	M8805/110-5516	P7-531226
M8805/110-5154	P7-515124	M8805/110-5268	P7-536128	M8805/110-5413	P7-511223	M8805/110-5517	P7-531227
M8805/110-5155	P7-515125	M8805/110-5269	P7-536129	M8805/110-5414	P7-511224	M8805/110-5518	P7-531228
M8805/110-5156	P7-515126	M8805/110-5311	P7-551121	M8805/110-5415	P7-511225	M8805/110-5519	P7-531229
M8805/110-5157	P7-515127	M8805/110-5312	P7-551122	M8805/110-5416	P7-511226	M8805/110-5521	P7-532221
M8805/110-5158	P7-515128	M8805/110-5313	P7-551123	M8805/110-5417	P7-511227	M8805/110-5522	P7-532222
M8805/110-5159	P7-515129	M8805/110-5314	P7-551124	M8805/110-5418	P7-511228	M8805/110-5523	P7-532223
M8805/110-5161	P7-516121	M8805/110-5315	P7-551125	M8805/110-5419	P7-511229	M8805/110-5524	P7-532224
M8805/110-5162	P7-516122	M8805/110-5316	P7-551126	M8805/110-5421	P7-512221	M8805/110-5525	P7-532225
M8805/110-5163	P7-516123	M8805/110-5317	P7-551127	M8805/110-5422	P7-512222	M8805/110-5526	P7-532226
M8805/110-5164	P7-516124	M8805/110-5318	P7-551128	M8805/110-5423	P7-512223	M8805/110-5527	P7-532227
M8805/110-5165	P7-516125	M8805/110-5319	P7-551129	M8805/110-5424	P7-512224	M8805/110-5528	P7-532228
M8805/110-5166	P7-516126	M8805/110-5321	P7-552121	M8805/110-5425	P7-512225	M8805/110-5529	P7-532229
M8805/110-5167	P7-516127	M8805/110-5322	P7-552122	M8805/110-5426	P7-512226	M8805/110-5531	P7-533221
M8805/110-5168	P7-516128	M8805/110-5323	P7-552123	M8805/110-5427	P7-512227	M8805/110-5532	P7-533222
M8805/110-5169	P7-516129	M8805/110-5324	P7-552124	M8805/110-5428	P7-512228	M8805/110-5533	P7-533223
M8805/110-5211	P7-531121	M8805/110-5325	P7-552125	M8805/110-5429	P7-512229	M8805/110-5534	P7-533224
M8805/110-5212	P7-531122	M8805/110-5326	P7-552126	M8805/110-5431	P7-513221	M8805/110-5535	P7-533225
M8805/110-5213	P7-531123	M8805/110-5327	P7-552127	M8805/110-5432	P7-513222	M8805/110-5536	P7-533226
M8805/110-5214	P7-531124	M8805/110-5328	P7-552128	M8805/110-5433	P7-513223	M8805/110-5537	P7-533227
M8805/110-5215	P7-531125	M8805/110-5329	P7-552129	M8805/110-5434	P7-513224	M8805/110-5538	P7-533228
M8805/110-5216	P7-531126	M8805/110-5331	P7-553121	M8805/110-5435	P7-513225	M8805/110-5539	P7-533229
M8805/110-5217	P7-531127	M8805/110-5332	P7-553122	M8805/110-5436	P7-513226	M8805/110-5541	P7-534221
M8805/110-5218	P7-531128	M8805/110-5333	P7-553123	M8805/110-5437	P7-513227	M8805/110-5542	P7-534222
M8805/110-5219	P7-531129	M8805/110-5334	P7-553124	M8805/110-5438	P7-513228	M8805/110-5543	P7-534223
M8805/110-5221	P7-532121	M8805/110-5335	P7-553125	M8805/110-5439	P7-513229	M8805/110-5544	P7-534224
M8805/110-5222	P7-532122	M8805/110-5336	P7-553126	M8805/110-5441	P7-514221	M8805/110-5545	P7-534225
M8805/110-5223	P7-532123	M8805/110-5337	P7-553127	M8805/110-5442	P7-514222	M8805/110-5546	P7-534226
M8805/110-5224	P7-532124	M8805/110-5338	P7-553128	M8805/110-5443	P7-514223	M8805/110-5547	P7-534227
M8805/110-5225	P7-532125	M8805/110-5339	P7-553129	M8805/110-5444	P7-514224	M8805/110-5548	P7-534228
M8805/110-5226	P7-532126	M8805/110-5341	P7-554121	M8805/110-5445	P7-514225	M8805/110-5549	P7-534229
M8805/110-5227	P7-532127	M8805/110-5342	P7-554122	M8805/110-5446	P7-514226	M8805/110-5551	P7-535221
M8805/110-5228	P7-532128	M8805/110-5343	P7-554123	M8805/110-5447	P7-514227	M8805/110-5552	P7-535222
M8805/110-5229	P7-532129	M8805/110-5344	P7-554124	M8805/110-5448	P7-514228	M8805/110-5553	P7-535223
M8805/110-5241	P7-534121	M8805/110-5345	P7-554125	M8805/110-5449	P7-514229	M8805/110-5554	P7-535224
M8805/110-5242	P7-534122	M8805/110-5346	P7-554126	M8805/110-5451	P7-515221	M8805/110-5555	P7-535225
M8805/110-5243	P7-534123	M8805/110-5347	P7-554127	M8805/110-5452	P7-515222	M8805/110-5556	P7-535226
M8805/110-5244	P7-534124	M8805/110-5348	P7-554128	M8805/110-5453	P7-515223	M8805/110-5557	P7-535227
M8805/110-5245	P7-534125	M8805/110-5349	P7-554129	M8805/110-5454	P7-515224	M8805/110-5558	P7-535228
M8805/110-5246	P7-534126	M8805/110-5351	P7-555121	M8805/110-5455	P7-515225	M8805/110-5559	P7-535229
M8805/110-5247	P7-534127	M8805/110-5352	P7-555122	M8805/110-5456	P7-515226	M8805/110-5561	P7-536221
M8805/110-5248	P7-534128	M8805/110-5353	P7-555123	M8805/110-5457	P7-515227	M8805/110-5562	P7-536222
M8805/110-5249	P7-534129	M8805/110-5354	P7-555124	M8805/110-5458	P7-515228	M8805/110-5563	P7-536223
M8805/110-5251	P7-535121	M8805/110-5355	P7-555125	M8805/110-5459	P7-515229	M8805/110-5564	P7-536224
M8805/110-5252	P7-535122	M8805/110-5356	P7-555126	M8805/110-5461	P7-516221	M8805/110-5565	P7-536225
M8805/110-5253	P7-535123	M8805/110-5357	P7-555127	M8805/110-5462	P7-516222	M8805/110-5566	P7-536226
M8805/110-5254	P7-535124	M8805/110-5358	P7-555128	M8805/110-5463	P7-516223	M8805/110-5567	P7-536227
M8805/110-5255	P7-535125	M8805/110-5359	P7-555129	M8805/110-5464	P7-516224	M8805/110-5568	P7-536228
M8805/110-5256	P7-535126	M8805/110-5361	P7-556121	M8805/110-5465	P7-516225	M8805/110-5569	P7-536229
M8805/110-5257	P7-535127	M8805/110-5362	P7-556122	M8805/110-5466	P7-516226	M8805/110-5611	P7-551221
M8805/110-5258	P7-535128	M8805/110-5363	P7-556123	M8805/110-5467	P7-516227	M8805/110-5612	P7-551222
M8805/110-5259	P7-535129	M8805/110-5364	P7-556124	M8805/110-5468	P7-516228	M8805/110-5613	P7-551223
M8805/110-5261	P7-536121	M8805/110-5365	P7-556125	M8805/110-5469	P7-516229	M8805/110-5614	P7-551224
M8805/110-5262	P7-536122	M8805/110-5366	P7-556126	M8805/110-5511	P7-531221	M8805/110-5615	P7-551225
M8805/110-5263	P7-536123	M8805/110-5367	P7-556127	M8805/110-5512	P7-531222	M8805/110-5616	P7-551226

MILITARY CROSS REFERENCE

CROSS REFERENCE: MILITARY TO OTTO

MILITARY PART NO.	OTTO PART NO.	MILITARY PART NO.	OTTO PART NO.	MILITARY PART NO.	OTTO PART NO.	MILITARY PART NO.	OTTO PART NO.
M8805/110-5617	P7-551227	M8805/110-5722	P7-562122	M8805/110-5826	P7-562226	M8805/110-6131	P7-613121
M8805/110-5618	P7-551228	M8805/110-5723	P7-562123	M8805/110-5827	P7-562227	M8805/110-6132	P7-613122
M8805/110-5619	P7-551229	M8805/110-5724	P7-562124	M8805/110-5828	P7-562228	M8805/110-6133	P7-613123
M8805/110-5621	P7-552221	M8805/110-5725	P7-562125	M8805/110-5829	P7-562229	M8805/110-6134	P7-613124
M8805/110-5622	P7-552222	M8805/110-5726	P7-562126	M8805/110-5831	P7-563221	M8805/110-6135	P7-613125
M8805/110-5623	P7-552223	M8805/110-5727	P7-562127	M8805/110-5832	P7-563222	M8805/110-6136	P7-613126
M8805/110-5624	P7-552224	M8805/110-5728	P7-562128	M8805/110-5833	P7-563223	M8805/110-6137	P7-613127
M8805/110-5625	P7-552225	M8805/110-5729	P7-562129	M8805/110-5834	P7-563224	M8805/110-6138	P7-613128
M8805/110-5626	P7-552226	M8805/110-5731	P7-563121	M8805/110-5835	P7-563225	M8805/110-6139	P7-613129
M8805/110-5627	P7-552227	M8805/110-5732	P7-563122	M8805/110-5836	P7-563226	M8805/110-6141	P7-614121
M8805/110-5628	P7-552228	M8805/110-5733	P7-563123	M8805/110-5837	P7-563227	M8805/110-6142	P7-614122
M8805/110-5629	P7-552229	M8805/110-5734	P7-563124	M8805/110-5838	P7-563228	M8805/110-6143	P7-614123
M8805/110-5631	P7-553221	M8805/110-5735	P7-563125	M8805/110-5839	P7-563229	M8805/110-6144	P7-614124
M8805/110-5632	P7-553222	M8805/110-5736	P7-563126	M8805/110-5841	P7-564221	M8805/110-6145	P7-614125
M8805/110-5633	P7-553223	M8805/110-5737	P7-563127	M8805/110-5842	P7-564222	M8805/110-6146	P7-614126
M8805/110-5634	P7-553224	M8805/110-5738	P7-563128	M8805/110-5843	P7-564223	M8805/110-6147	P7-614127
M8805/110-5635	P7-553225	M8805/110-5739	P7-563129	M8805/110-5844	P7-564224	M8805/110-6148	P7-614128
M8805/110-5636	P7-553226	M8805/110-5741	P7-564121	M8805/110-5845	P7-564225	M8805/110-6149	P7-614129
M8805/110-5637	P7-553227	M8805/110-5742	P7-564122	M8805/110-5846	P7-564226	M8805/110-6151	P7-615121
M8805/110-5638	P7-553228	M8805/110-5743	P7-564123	M8805/110-5847	P7-564227	M8805/110-6152	P7-615122
M8805/110-5639	P7-553229	M8805/110-5744	P7-564124	M8805/110-5848	P7-564228	M8805/110-6153	P7-615123
M8805/110-5641	P7-554221	M8805/110-5745	P7-564125	M8805/110-5849	P7-564229	M8805/110-6154	P7-615124
M8805/110-5642	P7-554222	M8805/110-5746	P7-564126	M8805/110-5851	P7-565221	M8805/110-6155	P7-615125
M8805/110-5643	P7-554223	M8805/110-5747	P7-564127	M8805/110-5852	P7-565222	M8805/110-6156	P7-615126
M8805/110-5644	P7-554224	M8805/110-5748	P7-564128	M8805/110-5853	P7-565223	M8805/110-6157	P7-615127
M8805/110-5645	P7-554225	M8805/110-5749	P7-564129	M8805/110-5854	P7-565224	M8805/110-6158	P7-615128
M8805/110-5646	P7-554226	M8805/110-5751	P7-565121	M8805/110-5855	P7-565225	M8805/110-6159	P7-615129
M8805/110-5647	P7-554227	M8805/110-5752	P7-565122	M8805/110-5856	P7-565226	M8805/110-6161	P7-616121
M8805/110-5648	P7-554228	M8805/110-5753	P7-565123	M8805/110-5857	P7-565227	M8805/110-6162	P7-616122
M8805/110-5649	P7-554229	M8805/110-5754	P7-565124	M8805/110-5858	P7-565228	M8805/110-6163	P7-616123
M8805/110-5651	P7-555221	M8805/110-5755	P7-565125	M8805/110-5859	P7-565229	M8805/110-6164	P7-616124
M8805/110-5652	P7-555222	M8805/110-5756	P7-565126	M8805/110-5861	P7-566221	M8805/110-6165	P7-616125
M8805/110-5653	P7-555223	M8805/110-5757	P7-565127	M8805/110-5862	P7-566222	M8805/110-6166	P7-616126
M8805/110-5654	P7-555224	M8805/110-5758	P7-565128	M8805/110-5863	P7-566223	M8805/110-6167	P7-616127
M8805/110-5655	P7-555225	M8805/110-5759	P7-565129	M8805/110-5864	P7-566224	M8805/110-6168	P7-616128
M8805/110-5656	P7-555226	M8805/110-5761	P7-566121	M8805/110-5865	P7-566225	M8805/110-6169	P7-616129
M8805/110-5657	P7-555227	M8805/110-5762	P7-566122	M8805/110-5866	P7-566226	M8805/110-6211	P7-631121
M8805/110-5658	P7-555228	M8805/110-5763	P7-566123	M8805/110-5867	P7-566227	M8805/110-6212	P7-631122
M8805/110-5659	P7-555229	M8805/110-5764	P7-566124	M8805/110-5868	P7-566228	M8805/110-6213	P7-631123
M8805/110-5661	P7-556221	M8805/110-5765	P7-566125	M8805/110-5869	P7-566229	M8805/110-6214	P7-631124
M8805/110-5662	P7-556222	M8805/110-5766	P7-566126	M8805/110-6111	P7-611121	M8805/110-6215	P7-631125
M8805/110-5663	P7-556223	M8805/110-5767	P7-566127	M8805/110-6112	P7-611122	M8805/110-6216	P7-631126
M8805/110-5664	P7-556224	M8805/110-5768	P7-566128	M8805/110-6113	P7-611123	M8805/110-6217	P7-631127
M8805/110-5665	P7-556225	M8805/110-5769	P7-566129	M8805/110-6114	P7-611124	M8805/110-6218	P7-631128
M8805/110-5666	P7-556226	M8805/110-5811	P7-561221	M8805/110-6115	P7-611125	M8805/110-6219	P7-631129
M8805/110-5667	P7-556227	M8805/110-5812	P7-561222	M8805/110-6116	P7-611126	M8805/110-6221	P7-632121
M8805/110-5668	P7-556228	M8805/110-5813	P7-561223	M8805/110-6117	P7-611127	M8805/110-6222	P7-632122
M8805/110-5669	P7-556229	M8805/110-5814	P7-561224	M8805/110-6118	P7-611128	M8805/110-6223	P7-632123
M8805/110-5711	P7-561121	M8805/110-5815	P7-561225	M8805/110-6119	P7-611129	M8805/110-6224	P7-632124
M8805/110-5712	P7-561122	M8805/110-5816	P7-561226	M8805/110-6121	P7-612121	M8805/110-6225	P7-632125
M8805/110-5713	P7-561123	M8805/110-5817	P7-561227	M8805/110-6122	P7-612122	M8805/110-6226	P7-632126
M8805/110-5714	P7-561124	M8805/110-5818	P7-561228	M8805/110-6123	P7-612123	M8805/110-6227	P7-632127
M8805/110-5715	P7-561125	M8805/110-5819	P7-561229	M8805/110-6124	P7-612124	M8805/110-6228	P7-632128
M8805/110-5716	P7-561126	M8805/110-5821	P7-562221	M8805/110-6125	P7-612125	M8805/110-6229	P7-632129
M8805/110-5717	P7-561127	M8805/110-5822	P7-562222	M8805/110-6126	P7-612126	M8805/110-6241	P7-634121
M8805/110-5718	P7-561128	M8805/110-5823	P7-562223	M8805/110-6127	P7-612127	M8805/110-6242	P7-634122
M8805/110-5719	P7-561129	M8805/110-5824	P7-562224	M8805/110-6128	P7-612128	M8805/110-6243	P7-634123
M8805/110-5721	P7-562121	M8805/110-5825	P7-562225	M8805/110-6129	P7-612129	M8805/110-6244	P7-634124

CROSS REFERENCE: MILITARY TO OTTO

MILITARY PART NO.	OTTO PART NO.	MILITARY PART NO.	OTTO PART NO.	MILITARY PART NO.	OTTO PART NO.	MILITARY PART NO.	OTTO PART NO.
M8805/110-6245	P7-634125	M8805/110-6349	P7-654129	M8805/110-6454	P7-615224	M8805/110-6558	P7-635228
M8805/110-6246	P7-634126	M8805/110-6351	P7-655121	M8805/110-6455	P7-615225	M8805/110-6559	P7-635229
M8805/110-6247	P7-634127	M8805/110-6352	P7-655122	M8805/110-6456	P7-615226	M8805/110-6561	P7-636221
M8805/110-6248	P7-634128	M8805/110-6353	P7-655123	M8805/110-6457	P7-615227	M8805/110-6562	P7-636222
M8805/110-6249	P7-634129	M8805/110-6354	P7-655124	M8805/110-6458	P7-615228	M8805/110-6563	P7-636223
M8805/110-6251	P7-635121	M8805/110-6355	P7-655125	M8805/110-6459	P7-615229	M8805/110-6564	P7-636224
M8805/110-6252	P7-635122	M8805/110-6356	P7-655126	M8805/110-6461	P7-616221	M8805/110-6565	P7-636225
M8805/110-6253	P7-635123	M8805/110-6357	P7-655127	M8805/110-6462	P7-616222	M8805/110-6566	P7-636226
M8805/110-6254	P7-635124	M8805/110-6358	P7-655128	M8805/110-6463	P7-616223	M8805/110-6567	P7-636227
M8805/110-6255	P7-635125	M8805/110-6359	P7-655129	M8805/110-6464	P7-616224	M8805/110-6568	P7-636228
M8805/110-6256	P7-635126	M8805/110-6361	P7-656121	M8805/110-6465	P7-616225	M8805/110-6569	P7-636229
M8805/110-6257	P7-635127	M8805/110-6362	P7-656122	M8805/110-6466	P7-616226	M8805/110-6611	P7-651221
M8805/110-6258	P7-635128	M8805/110-6363	P7-656123	M8805/110-6467	P7-616227	M8805/110-6612	P7-651222
M8805/110-6259	P7-635129	M8805/110-6364	P7-656124	M8805/110-6468	P7-616228	M8805/110-6613	P7-651223
M8805/110-6261	P7-636121	M8805/110-6365	P7-656125	M8805/110-6469	P7-616229	M8805/110-6614	P7-651224
M8805/110-6262	P7-636122	M8805/110-6366	P7-656126	M8805/110-6511	P7-631221	M8805/110-6615	P7-651225
M8805/110-6263	P7-636123	M8805/110-6367	P7-656127	M8805/110-6512	P7-631222	M8805/110-6616	P7-651226
M8805/110-6264	P7-636124	M8805/110-6368	P7-656128	M8805/110-6513	P7-631223	M8805/110-6617	P7-651227
M8805/110-6265	P7-636125	M8805/110-6369	P7-656129	M8805/110-6514	P7-631224	M8805/110-6618	P7-651228
M8805/110-6266	P7-636126	M8805/110-6411	P7-611221	M8805/110-6515	P7-631225	M8805/110-6619	P7-651229
M8805/110-6267	P7-636127	M8805/110-6412	P7-611222	M8805/110-6516	P7-631226	M8805/110-6621	P7-652221
M8805/110-6268	P7-636128	M8805/110-6413	P7-611223	M8805/110-6517	P7-631227	M8805/110-6622	P7-652222
M8805/110-6269	P7-636129	M8805/110-6414	P7-611224	M8805/110-6518	P7-631228	M8805/110-6623	P7-652223
M8805/110-6311	P7-651121	M8805/110-6415	P7-611225	M8805/110-6519	P7-631229	M8805/110-6624	P7-652224
M8805/110-6312	P7-651122	M8805/110-6416	P7-611226	M8805/110-6521	P7-632221	M8805/110-6625	P7-652225
M8805/110-6313	P7-651123	M8805/110-6417	P7-611227	M8805/110-6522	P7-632222	M8805/110-6626	P7-652226
M8805/110-6314	P7-651124	M8805/110-6418	P7-611228	M8805/110-6523	P7-632223	M8805/110-6627	P7-652227
M8805/110-6315	P7-651125	M8805/110-6419	P7-611229	M8805/110-6524	P7-632224	M8805/110-6628	P7-652228
M8805/110-6316	P7-651126	M8805/110-6421	P7-612221	M8805/110-6525	P7-632225	M8805/110-6629	P7-652229
M8805/110-6317	P7-651127	M8805/110-6422	P7-612222	M8805/110-6526	P7-632226	M8805/110-6631	P7-653221
M8805/110-6318	P7-651128	M8805/110-6423	P7-612223	M8805/110-6527	P7-632227	M8805/110-6632	P7-653222
M8805/110-6319	P7-651129	M8805/110-6424	P7-612224	M8805/110-6528	P7-632228	M8805/110-6633	P7-653223
M8805/110-6321	P7-652121	M8805/110-6425	P7-612225	M8805/110-6529	P7-632229	M8805/110-6634	P7-653224
M8805/110-6322	P7-652122	M8805/110-6426	P7-612226	M8805/110-6531	P7-633221	M8805/110-6635	P7-653225
M8805/110-6323	P7-652123	M8805/110-6427	P7-612227	M8805/110-6532	P7-633222	M8805/110-6636	P7-653226
M8805/110-6324	P7-652124	M8805/110-6428	P7-612228	M8805/110-6533	P7-633223	M8805/110-6637	P7-653227
M8805/110-6325	P7-652125	M8805/110-6429	P7-612229	M8805/110-6534	P7-633224	M8805/110-6638	P7-653228
M8805/110-6326	P7-652126	M8805/110-6431	P7-613221	M8805/110-6535	P7-633225	M8805/110-6639	P7-653229
M8805/110-6327	P7-652127	M8805/110-6432	P7-613222	M8805/110-6536	P7-633226	M8805/110-6641	P7-654221
M8805/110-6328	P7-652128	M8805/110-6433	P7-613223	M8805/110-6537	P7-633227	M8805/110-6642	P7-654222
M8805/110-6329	P7-652129	M8805/110-6434	P7-613224	M8805/110-6538	P7-633228	M8805/110-6643	P7-654223
M8805/110-6331	P7-653121	M8805/110-6435	P7-613225	M8805/110-6539	P7-633229	M8805/110-6644	P7-654224
M8805/110-6332	P7-653122	M8805/110-6436	P7-613226	M8805/110-6541	P7-634221	M8805/110-6645	P7-654225
M8805/110-6333	P7-653123	M8805/110-6437	P7-613227	M8805/110-6542	P7-634222	M8805/110-6646	P7-654226
M8805/110-6334	P7-653124	M8805/110-6438	P7-613228	M8805/110-6543	P7-634223	M8805/110-6647	P7-654227
M8805/110-6335	P7-653125	M8805/110-6439	P7-613229	M8805/110-6544	P7-634224	M8805/110-6648	P7-654228
M8805/110-6336	P7-653126	M8805/110-6441	P7-614221	M8805/110-6545	P7-634225	M8805/110-6649	P7-654229
M8805/110-6337	P7-653127	M8805/110-6442	P7-614222	M8805/110-6546	P7-634226	M8805/110-6651	P7-655221
M8805/110-6338	P7-653128	M8805/110-6443	P7-614223	M8805/110-6547	P7-634227	M8805/110-6652	P7-655222
M8805/110-6339	P7-653129	M8805/110-6444	P7-614224	M8805/110-6548	P7-634228	M8805/110-6653	P7-655223
M8805/110-6341	P7-654121	M8805/110-6445	P7-614225	M8805/110-6549	P7-634229	M8805/110-6654	P7-655224
M8805/110-6342	P7-654122	M8805/110-6446	P7-614226	M8805/110-6551	P7-635221	M8805/110-6655	P7-655225
M8805/110-6343	P7-654123	M8805/110-6447	P7-614227	M8805/110-6552	P7-635222	M8805/110-6656	P7-655226
M8805/110-6344	P7-654124	M8805/110-6448	P7-614228	M8805/110-6553	P7-635223	M8805/110-6657	P7-655227
M8805/110-6345	P7-654125	M8805/110-6449	P7-614229	M8805/110-6554	P7-635224	M8805/110-6658	P7-655228
M8805/110-6346	P7-654126	M8805/110-6451	P7-615221	M8805/110-6555	P7-635225	M8805/110-6659	P7-655229
M8805/110-6347	P7-654127	M8805/110-6452	P7-615222	M8805/110-6556	P7-635226	M8805/110-6661	P7-656221
M8805/110-6348	P7-654128	M8805/110-6453	P7-615223	M8805/110-6557	P7-635227	M8805/110-6662	P7-656222

CROSS REFERENCE: MILITARY TO OTTO

MILITARY PART NO.	OTTO PART NO.	MILITARY PART NO.	OTTO PART NO.	MILITARY PART NO.	OTTO PART NO.	MILITARY PART NO.	OTTO PART NO.
M8805/110-6663	P7-656223	M8805/110-6767	P7-666127	M8805/110-7112	P7-711122	M8805/110-7216	P7-731126
M8805/110-6664	P7-656224	M8805/110-6768	P7-666128	M8805/110-7113	P7-711123	M8805/110-7217	P7-731127
M8805/110-6665	P7-656225	M8805/110-6769	P7-666129	M8805/110-7114	P7-711124	M8805/110-7218	P7-731128
M8805/110-6666	P7-656226	M8805/110-6811	P7-661221	M8805/110-7115	P7-711125	M8805/110-7219	P7-731129
M8805/110-6667	P7-656227	M8805/110-6812	P7-661222	M8805/110-7116	P7-711126	M8805/110-7221	P7-732121
M8805/110-6668	P7-656228	M8805/110-6813	P7-661223	M8805/110-7117	P7-711127	M8805/110-7222	P7-732122
M8805/110-6669	P7-656229	M8805/110-6814	P7-661224	M8805/110-7118	P7-711128	M8805/110-7223	P7-732123
M8805/110-6711	P7-661121	M8805/110-6815	P7-661225	M8805/110-7119	P7-711129	M8805/110-7224	P7-732124
M8805/110-6712	P7-661122	M8805/110-6816	P7-661226	M8805/110-7121	P7-712121	M8805/110-7225	P7-732125
M8805/110-6713	P7-661123	M8805/110-6817	P7-661227	M8805/110-7122	P7-712122	M8805/110-7226	P7-732126
M8805/110-6714	P7-661124	M8805/110-6818	P7-661228	M8805/110-7123	P7-712123	M8805/110-7227	P7-732127
M8805/110-6715	P7-661125	M8805/110-6819	P7-661229	M8805/110-7124	P7-712124	M8805/110-7228	P7-732128
M8805/110-6716	P7-661126	M8805/110-6821	P7-662221	M8805/110-7125	P7-712125	M8805/110-7229	P7-732129
M8805/110-6717	P7-661127	M8805/110-6822	P7-662222	M8805/110-7126	P7-712126	M8805/110-7241	P7-734121
M8805/110-6718	P7-661128	M8805/110-6823	P7-662223	M8805/110-7127	P7-712127	M8805/110-7242	P7-734122
M8805/110-6719	P7-661129	M8805/110-6824	P7-662224	M8805/110-7128	P7-712128	M8805/110-7243	P7-734123
M8805/110-6721	P7-662121	M8805/110-6825	P7-662225	M8805/110-7129	P7-712129	M8805/110-7244	P7-734124
M8805/110-6722	P7-662122	M8805/110-6826	P7-662226	M8805/110-7131	P7-713121	M8805/110-7245	P7-734125
M8805/110-6723	P7-662123	M8805/110-6827	P7-662227	M8805/110-7132	P7-713122	M8805/110-7246	P7-734126
M8805/110-6724	P7-662124	M8805/110-6828	P7-662228	M8805/110-7133	P7-713123	M8805/110-7247	P7-734127
M8805/110-6725	P7-662125	M8805/110-6829	P7-662229	M8805/110-7134	P7-713124	M8805/110-7248	P7-734128
M8805/110-6726	P7-662126	M8805/110-6831	P7-663221	M8805/110-7135	P7-713125	M8805/110-7249	P7-734129
M8805/110-6727	P7-662127	M8805/110-6832	P7-663222	M8805/110-7136	P7-713126	M8805/110-7251	P7-735121
M8805/110-6728	P7-662128	M8805/110-6833	P7-663223	M8805/110-7137	P7-713127	M8805/110-7252	P7-735122
M8805/110-6729	P7-662129	M8805/110-6834	P7-663224	M8805/110-7138	P7-713128	M8805/110-7253	P7-735123
M8805/110-6731	P7-663121	M8805/110-6835	P7-663225	M8805/110-7139	P7-713129	M8805/110-7254	P7-735124
M8805/110-6732	P7-663122	M8805/110-6836	P7-663226	M8805/110-7141	P7-714121	M8805/110-7255	P7-735125
M8805/110-6733	P7-663123	M8805/110-6837	P7-663227	M8805/110-7142	P7-714122	M8805/110-7256	P7-735126
M8805/110-6734	P7-663124	M8805/110-6838	P7-663228	M8805/110-7143	P7-714123	M8805/110-7257	P7-735127
M8805/110-6735	P7-663125	M8805/110-6839	P7-663229	M8805/110-7144	P7-714124	M8805/110-7258	P7-735128
M8805/110-6736	P7-663126	M8805/110-6841	P7-664221	M8805/110-7145	P7-714125	M8805/110-7259	P7-735129
M8805/110-6737	P7-663127	M8805/110-6842	P7-664222	M8805/110-7146	P7-714126	M8805/110-7261	P7-736121
M8805/110-6738	P7-663128	M8805/110-6843	P7-664223	M8805/110-7147	P7-714127	M8805/110-7262	P7-736122
M8805/110-6739	P7-663129	M8805/110-6844	P7-664224	M8805/110-7148	P7-714128	M8805/110-7263	P7-736123
M8805/110-6741	P7-664121	M8805/110-6845	P7-664225	M8805/110-7149	P7-714129	M8805/110-7264	P7-736124
M8805/110-6742	P7-664122	M8805/110-6846	P7-664226	M8805/110-7151	P7-715121	M8805/110-7265	P7-736125
M8805/110-6743	P7-664123	M8805/110-6847	P7-664227	M8805/110-7152	P7-715122	M8805/110-7266	P7-736126
M8805/110-6744	P7-664124	M8805/110-6848	P7-664228	M8805/110-7153	P7-715123	M8805/110-7267	P7-736127
M8805/110-6745	P7-664125	M8805/110-6849	P7-664229	M8805/110-7154	P7-715124	M8805/110-7268	P7-736128
M8805/110-6746	P7-664126	M8805/110-6851	P7-665221	M8805/110-7155	P7-715125	M8805/110-7269	P7-736129
M8805/110-6747	P7-664127	M8805/110-6852	P7-665222	M8805/110-7156	P7-715126	M8805/110-7311	P7-751121
M8805/110-6748	P7-664128	M8805/110-6853	P7-665223	M8805/110-7157	P7-715127	M8805/110-7312	P7-751122
M8805/110-6749	P7-664129	M8805/110-6854	P7-665224	M8805/110-7158	P7-715128	M8805/110-7313	P7-751123
M8805/110-6751	P7-665121	M8805/110-6855	P7-665225	M8805/110-7159	P7-715129	M8805/110-7314	P7-751124
M8805/110-6752	P7-665122	M8805/110-6856	P7-665226	M8805/110-7161	P7-716121	M8805/110-7315	P7-751125
M8805/110-6753	P7-665123	M8805/110-6857	P7-665227	M8805/110-7162	P7-716122	M8805/110-7316	P7-751126
M8805/110-6754	P7-665124	M8805/110-6858	P7-665228	M8805/110-7163	P7-716123	M8805/110-7317	P7-751127
M8805/110-6755	P7-665125	M8805/110-6859	P7-665229	M8805/110-7164	P7-716124	M8805/110-7318	P7-751128
M8805/110-6756	P7-665126	M8805/110-6861	P7-666221	M8805/110-7165	P7-716125	M8805/110-7319	P7-751129
M8805/110-6757	P7-665127	M8805/110-6862	P7-666222	M8805/110-7166	P7-716126	M8805/110-7321	P7-752121
M8805/110-6758	P7-665128	M8805/110-6863	P7-666223	M8805/110-7167	P7-716127	M8805/110-7322	P7-752122
M8805/110-6759	P7-665129	M8805/110-6864	P7-666224	M8805/110-7168	P7-716128	M8805/110-7323	P7-752123
M8805/110-6761	P7-666121	M8805/110-6865	P7-666225	M8805/110-7169	P7-716129	M8805/110-7324	P7-752124
M8805/110-6762	P7-666122	M8805/110-6866	P7-666226	M8805/110-7211	P7-731121	M8805/110-7325	P7-752125
M8805/110-6763	P7-666123	M8805/110-6867	P7-666227	M8805/110-7212	P7-731122	M8805/110-7326	P7-752126
M8805/110-6764	P7-666124	M8805/110-6868	P7-666228	M8805/110-7213	P7-731123	M8805/110-7327	P7-752127
M8805/110-6765	P7-666125	M8805/110-6869	P7-666229	M8805/110-7214	P7-731124	M8805/110-7328	P7-752128
M8805/110-6766	P7-666126	M8805/110-7111	P7-711121	M8805/110-7215	P7-731125	M8805/110-7329	P7-752129

CROSS REFERENCE: MILITARY TO OTTO

MILITARY PART NO.	OTTO PART NO.	MILITARY PART NO.	OTTO PART NO.	MILITARY PART NO.	OTTO PART NO.	MILITARY PART NO.	OTTO PART NO.
M8805/110-7331	P7-753121	M8805/110-7435	P7-713225	M8805/110-7539	P7-733229	M8805/110-7644	P7-754224
M8805/110-7332	P7-753122	M8805/110-7436	P7-713226	M8805/110-7541	P7-734221	M8805/110-7645	P7-754225
M8805/110-7333	P7-753123	M8805/110-7437	P7-713227	M8805/110-7542	P7-734222	M8805/110-7646	P7-754226
M8805/110-7334	P7-753124	M8805/110-7438	P7-713228	M8805/110-7543	P7-734223	M8805/110-7647	P7-754227
M8805/110-7335	P7-753125	M8805/110-7439	P7-713229	M8805/110-7544	P7-734224	M8805/110-7648	P7-754228
M8805/110-7336	P7-753126	M8805/110-7441	P7-714221	M8805/110-7545	P7-734225	M8805/110-7649	P7-754229
M8805/110-7337	P7-753127	M8805/110-7442	P7-711422	M8805/110-7546	P7-734226	M8805/110-7651	P7-755221
M8805/110-7338	P7-753128	M8805/110-7443	P7-711423	M8805/110-7547	P7-734227	M8805/110-7652	P7-755222
M8805/110-7339	P7-753129	M8805/110-7444	P7-711424	M8805/110-7548	P7-734228	M8805/110-7653	P7-755223
M8805/110-7341	P7-754121	M8805/110-7445	P7-711425	M8805/110-7549	P7-734229	M8805/110-7654	P7-755224
M8805/110-7342	P7-754122	M8805/110-7446	P7-711426	M8805/110-7551	P7-735221	M8805/110-7655	P7-755225
M8805/110-7343	P7-754123	M8805/110-7447	P7-711427	M8805/110-7552	P7-735222	M8805/110-7656	P7-755226
M8805/110-7344	P7-754124	M8805/110-7448	P7-711428	M8805/110-7553	P7-735223	M8805/110-7657	P7-755227
M8805/110-7345	P7-754125	M8805/110-7449	P7-711429	M8805/110-7554	P7-735224	M8805/110-7658	P7-755228
M8805/110-7346	P7-754126	M8805/110-7451	P7-715221	M8805/110-7555	P7-735225	M8805/110-7659	P7-755229
M8805/110-7347	P7-754127	M8805/110-7452	P7-715222	M8805/110-7556	P7-735226	M8805/110-7661	P7-756221
M8805/110-7348	P7-754128	M8805/110-7453	P7-715223	M8805/110-7557	P7-735227	M8805/110-7662	P7-756222
M8805/110-7349	P7-754129	M8805/110-7454	P7-715224	M8805/110-7558	P7-735228	M8805/110-7663	P7-756223
M8805/110-7351	P7-755121	M8805/110-7455	P7-715225	M8805/110-7559	P7-735229	M8805/110-7664	P7-756224
M8805/110-7352	P7-755122	M8805/110-7456	P7-715226	M8805/110-7561	P7-736221	M8805/110-7665	P7-756225
M8805/110-7353	P7-755123	M8805/110-7457	P7-715227	M8805/110-7562	P7-736222	M8805/110-7666	P7-756226
M8805/110-7354	P7-755124	M8805/110-7458	P7-715228	M8805/110-7563	P7-736223	M8805/110-7667	P7-756227
M8805/110-7355	P7-755125	M8805/110-7459	P7-715229	M8805/110-7564	P7-736224	M8805/110-7668	P7-756228
M8805/110-7356	P7-755126	M8805/110-7461	P7-716221	M8805/110-7565	P7-736225	M8805/110-7669	P7-756229
M8805/110-7357	P7-755127	M8805/110-7462	P7-716222	M8805/110-7566	P7-736226	M8805/110-7711	P7-761121
M8805/110-7358	P7-755128	M8805/110-7463	P7-716223	M8805/110-7567	P7-736227	M8805/110-7712	P7-761122
M8805/110-7359	P7-755129	M8805/110-7464	P7-716224	M8805/110-7568	P7-736228	M8805/110-7713	P7-761123
M8805/110-7361	P7-756121	M8805/110-7465	P7-716225	M8805/110-7569	P7-736229	M8805/110-7714	P7-761124
M8805/110-7362	P7-756122	M8805/110-7466	P7-716226	M8805/110-7611	P7-751221	M8805/110-7715	P7-761125
M8805/110-7363	P7-756123	M8805/110-7467	P7-716227	M8805/110-7612	P7-751222	M8805/110-7716	P7-761126
M8805/110-7364	P7-756124	M8805/110-7468	P7-716228	M8805/110-7613	P7-751223	M8805/110-7717	P7-761127
M8805/110-7365	P7-756125	M8805/110-7469	P7-716229	M8805/110-7614	P7-751224	M8805/110-7718	P7-761128
M8805/110-7366	P7-756126	M8805/110-7511	P7-731221	M8805/110-7615	P7-751225	M8805/110-7719	P7-761129
M8805/110-7367	P7-756127	M8805/110-7512	P7-731222	M8805/110-7616	P7-751226	M8805/110-7721	P7-762121
M8805/110-7368	P7-756128	M8805/110-7513	P7-731223	M8805/110-7617	P7-751227	M8805/110-7722	P7-762122
M8805/110-7369	P7-756129	M8805/110-7514	P7-731224	M8805/110-7618	P7-751228	M8805/110-7723	P7-762123
M8805/110-7411	P7-711221	M8805/110-7515	P7-731225	M8805/110-7619	P7-751229	M8805/110-7724	P7-762124
M8805/110-7412	P7-711222	M8805/110-7516	P7-731226	M8805/110-7621	P7-752221	M8805/110-7725	P7-762125
M8805/110-7413	P7-711223	M8805/110-7517	P7-731227	M8805/110-7622	P7-752222	M8805/110-7726	P7-762126
M8805/110-7414	P7-711224	M8805/110-7518	P7-731228	M8805/110-7623	P7-752223	M8805/110-7727	P7-762127
M8805/110-7415	P7-711225	M8805/110-7519	P7-731229	M8805/110-7624	P7-752224	M8805/110-7728	P7-762128
M8805/110-7416	P7-711226	M8805/110-7521	P7-732221	M8805/110-7625	P7-752225	M8805/110-7729	P7-762129
M8805/110-7417	P7-711227	M8805/110-7522	P7-732222	M8805/110-7626	P7-752226	M8805/110-7731	P7-763121
M8805/110-7418	P7-711228	M8805/110-7523	P7-732223	M8805/110-7627	P7-752227	M8805/110-7732	P7-763122
M8805/110-7419	P7-711229	M8805/110-7524	P7-732224	M8805/110-7628	P7-752228	M8805/110-7733	P7-763123
M8805/110-7421	P7-712221	M8805/110-7525	P7-732225	M8805/110-7629	P7-752229	M8805/110-7734	P7-763124
M8805/110-7422	P7-712222	M8805/110-7526	P7-732226	M8805/110-7631	P7-753221	M8805/110-7735	P7-763125
M8805/110-7423	P7-712223	M8805/110-7527	P7-732227	M8805/110-7632	P7-753222	M8805/110-7736	P7-763126
M8805/110-7424	P7-712224	M8805/110-7528	P7-732228	M8805/110-7633	P7-753223	M8805/110-7737	P7-763127
M8805/110-7425	P7-712225	M8805/110-7529	P7-732229	M8805/110-7634	P7-753224	M8805/110-7738	P7-763128
M8805/110-7426	P7-712226	M8805/110-7531	P7-733221	M8805/110-7635	P7-753225	M8805/110-7739	P7-763129
M8805/110-7427	P7-712227	M8805/110-7532	P7-733222	M8805/110-7636	P7-753226	M8805/110-7741	P7-764121
M8805/110-7428	P7-712228	M8805/110-7533	P7-733223	M8805/110-7637	P7-753227	M8805/110-7742	P7-764122
M8805/110-7429	P7-712229	M8805/110-7534	P7-733224	M8805/110-7638	P7-753228	M8805/110-7743	P7-764123
M8805/110-7431	P7-713221	M8805/110-7535	P7-733225	M8805/110-7639	P7-753229	M8805/110-7744	P7-764124
M8805/110-7432	P7-713222	M8805/110-7536	P7-733226	M8805/110-7641	P7-754221	M8805/110-7745	P7-764125
M8805/110-7433	P7-713223	M8805/110-7537	P7-733227	M8805/110-7642	P7-754222	M8805/110-7746	P7-764126
M8805/110-7434	P7-713224	M8805/110-7538	P7-733228	M8805/110-7643	P7-754223	M8805/110-7747	P7-764127

MILITARY CROSS REFERENCE

CROSS REFERENCE: MILITARY TO OTTO

MILITARY PART NO.	OTTO PART NO.	MILITARY PART NO.	OTTO PART NO.	MILITARY PART NO.	OTTO PART NO.	MILITARY PART NO.	OTTO PART NO.
M8805/110-7748	P7-764128	M8805/110-7853	P7-765223	M8805/110-8157	P7-815127	M8805/110-8312	P7-851122
M8805/110-7749	P7-764129	M8805/110-7854	P7-765224	M8805/110-8158	P7-815128	M8805/110-8313	P7-851123
M8805/110-7751	P7-765121	M8805/110-7855	P7-765225	M8805/110-8159	P7-815129	M8805/110-8314	P7-851124
M8805/110-7752	P7-765122	M8805/110-7856	P7-765226	M8805/110-8161	P7-816121	M8805/110-8315	P7-851125
M8805/110-7753	P7-765123	M8805/110-7857	P7-765227	M8805/110-8162	P7-816122	M8805/110-8316	P7-851126
M8805/110-7754	P7-765124	M8805/110-7858	P7-765228	M8805/110-8163	P7-816123	M8805/110-8317	P7-851127
M8805/110-7755	P7-765125	M8805/110-7859	P7-765229	M8805/110-8164	P7-816124	M8805/110-8318	P7-851128
M8805/110-7756	P7-765126	M8805/110-7861	P7-766221	M8805/110-8165	P7-816125	M8805/110-8319	P7-851129
M8805/110-7757	P7-765127	M8805/110-7862	P7-766222	M8805/110-8166	P7-816126	M8805/110-8321	P7-852121
M8805/110-7758	P7-765128	M8805/110-7863	P7-766223	M8805/110-8167	P7-816127	M8805/110-8322	P7-852122
M8805/110-7759	P7-765129	M8805/110-7864	P7-766224	M8805/110-8168	P7-816128	M8805/110-8323	P7-852123
M8805/110-7761	P7-766121	M8805/110-7865	P7-766225	M8805/110-8169	P7-816129	M8805/110-8324	P7-852124
M8805/110-7762	P7-766122	M8805/110-7866	P7-766226	M8805/110-8211	P7-831121	M8805/110-8325	P7-852125
M8805/110-7763	P7-766123	M8805/110-7867	P7-766227	M8805/110-8212	P7-831122	M8805/110-8326	P7-852126
M8805/110-7764	P7-766124	M8805/110-7868	P7-766228	M8805/110-8213	P7-831123	M8805/110-8327	P7-852127
M8805/110-7765	P7-766125	M8805/110-7869	P7-766229	M8805/110-8214	P7-831124	M8805/110-8328	P7-852128
M8805/110-7766	P7-766126	M8805/110-8111	P7-811121	M8805/110-8215	P7-831125	M8805/110-8329	P7-852129
M8805/110-7767	P7-766127	M8805/110-8112	P7-811122	M8805/110-8216	P7-831126	M8805/110-8331	P7-853121
M8805/110-7768	P7-766128	M8805/110-8113	P7-811123	M8805/110-8217	P7-831127	M8805/110-8332	P7-853122
M8805/110-7769	P7-766129	M8805/110-8114	P7-811124	M8805/110-8218	P7-831128	M8805/110-8333	P7-853123
M8805/110-7811	P7-761221	M8805/110-8115	P7-811125	M8805/110-8219	P7-831129	M8805/110-8334	P7-853124
M8805/110-7812	P7-761222	M8805/110-8116	P7-811126	M8805/110-8221	P7-832121	M8805/110-8335	P7-853125
M8805/110-7813	P7-761223	M8805/110-8117	P7-811127	M8805/110-8222	P7-832122	M8805/110-8336	P7-853126
M8805/110-7814	P7-761224	M8805/110-8118	P7-811128	M8805/110-8223	P7-832123	M8805/110-8337	P7-853127
M8805/110-7815	P7-761225	M8805/110-8119	P7-811129	M8805/110-8224	P7-832124	M8805/110-8338	P7-853128
M8805/110-7816	P7-761226	M8805/110-8121	P7-812121	M8805/110-8225	P7-832125	M8805/110-8339	P7-853129
M8805/110-7817	P7-761227	M8805/110-8122	P7-812122	M8805/110-8226	P7-832126	M8805/110-8341	P7-854121
M8805/110-7818	P7-761228	M8805/110-8123	P7-812123	M8805/110-8227	P7-832127	M8805/110-8342	P7-854122
M8805/110-7819	P7-761229	M8805/110-8124	P7-812124	M8805/110-8228	P7-832128	M8805/110-8343	P7-854123
M8805/110-7821	P7-762221	M8805/110-8125	P7-812125	M8805/110-8229	P7-832129	M8805/110-8344	P7-854124
M8805/110-7822	P7-762222	M8805/110-8126	P7-812126	M8805/110-8241	P7-834121	M8805/110-8345	P7-854125
M8805/110-7823	P7-762223	M8805/110-8127	P7-812127	M8805/110-8242	P7-834122	M8805/110-8346	P7-854126
M8805/110-7824	P7-762224	M8805/110-8128	P7-812128	M8805/110-8243	P7-834123	M8805/110-8347	P7-854127
M8805/110-7825	P7-762225	M8805/110-8129	P7-812129	M8805/110-8244	P7-834124	M8805/110-8348	P7-854128
M8805/110-7826	P7-762226	M8805/110-8131	P7-813121	M8805/110-8245	P7-834125	M8805/110-8349	P7-854129
M8805/110-7827	P7-762227	M8805/110-8132	P7-813122	M8805/110-8246	P7-834126	M8805/110-8351	P7-855121
M8805/110-7828	P7-762228	M8805/110-8133	P7-813123	M8805/110-8247	P7-834127	M8805/110-8352	P7-855122
M8805/110-7829	P7-762229	M8805/110-8134	P7-813124	M8805/110-8248	P7-834128	M8805/110-8353	P7-855123
M8805/110-7831	P7-763221	M8805/110-8135	P7-813125	M8805/110-8249	P7-834129	M8805/110-8354	P7-855124
M8805/110-7832	P7-763222	M8805/110-8136	P7-813126	M8805/110-8251	P7-835121	M8805/110-8355	P7-855125
M8805/110-7833	P7-763223	M8805/110-8137	P7-813127	M8805/110-8252	P7-835122	M8805/110-8356	P7-855126
M8805/110-7834	P7-763224	M8805/110-8138	P7-813128	M8805/110-8253	P7-835123	M8805/110-8357	P7-855127
M8805/110-7835	P7-763225	M8805/110-8139	P7-813129	M8805/110-8254	P7-835124	M8805/110-8358	P7-855128
M8805/110-7836	P7-763226	M8805/110-8141	P7-814121	M8805/110-8255	P7-835125	M8805/110-8359	P7-855129
M8805/110-7837	P7-763227	M8805/110-8142	P7-814122	M8805/110-8256	P7-835126	M8805/110-8361	P7-856121
M8805/110-7838	P7-763228	M8805/110-8143	P7-814123	M8805/110-8257	P7-835127	M8805/110-8362	P7-856122
M8805/110-7839	P7-763229	M8805/110-8144	P7-814124	M8805/110-8258	P7-835128	M8805/110-8363	P7-856123
M8805/110-7841	P7-764221	M8805/110-8145	P7-814125	M8805/110-8259	P7-835129	M8805/110-8364	P7-856124
M8805/110-7842	P7-764222	M8805/110-8146	P7-814126	M8805/110-8261	P7-836121	M8805/110-8365	P7-856125
M8805/110-7843	P7-764223	M8805/110-8147	P7-814127	M8805/110-8262	P7-836122	M8805/110-8366	P7-856126
M8805/110-7844	P7-764224	M8805/110-8148	P7-814128	M8805/110-8263	P7-836123	M8805/110-8367	P7-856127
M8805/110-7845	P7-764225	M8805/110-8149	P7-814129	M8805/110-8264	P7-836124	M8805/110-8368	P7-856128
M8805/110-7846	P7-764226	M8805/110-8151	P7-815121	M8805/110-8265	P7-836125	M8805/110-8369	P7-856129
M8805/110-7847	P7-764227	M8805/110-8152	P7-815122	M8805/110-8266	P7-836126	M8805/110-8411	P7-811221
M8805/110-7848	P7-764228	M8805/110-8153	P7-815123	M8805/110-8267	P7-836127	M8805/110-8412	P7-811222
M8805/110-7849	P7-764229	M8805/110-8154	P7-815124	M8805/110-8268	P7-836128	M8805/110-8413	P7-811223
M8805/110-7851	P7-765221	M8805/110-8155	P7-815125	M8805/110-8269	P7-836129	M8805/110-8414	P7-811224
M8805/110-7852	P7-765222	M8805/110-8156	P7-815126	M8805/110-8311	P7-851121	M8805/110-8415	P7-811225

CROSS REFERENCE: MILITARY TO OTTO

MILITARY PART NO.	OTTO PART NO.	MILITARY PART NO.	OTTO PART NO.	MILITARY PART NO.	OTTO PART NO.	MILITARY PART NO.	OTTO PART NO.
M8805/110-8365	P7-856125	M8805/110-8519	P7-831229	M8805/110-8624	P7-852224	M8805/110-8728	P7-862128
M8805/110-8416	P7-811226	M8805/110-8521	P7-832221	M8805/110-8625	P7-852225	M8805/110-8729	P7-862129
M8805/110-8417	P7-811227	M8805/110-8522	P7-832222	M8805/110-8626	P7-852226	M8805/110-8731	P7-863121
M8805/110-8418	P7-811228	M8805/110-8523	P7-832223	M8805/110-8627	P7-852227	M8805/110-8732	P7-863122
M8805/110-8419	P7-811229	M8805/110-8524	P7-832224	M8805/110-8628	P7-852228	M8805/110-8733	P7-863123
M8805/110-8421	P7-812221	M8805/110-8525	P7-832225	M8805/110-8629	P7-852229	M8805/110-8734	P7-863124
M8805/110-8422	P7-812222	M8805/110-8526	P7-832226	M8805/110-8631	P7-853221	M8805/110-8735	P7-863125
M8805/110-8423	P7-812223	M8805/110-8527	P7-832227	M8805/110-8632	P7-853222	M8805/110-8736	P7-863126
M8805/110-8424	P7-812224	M8805/110-8528	P7-832228	M8805/110-8633	P7-853223	M8805/110-8737	P7-863127
M8805/110-8425	P7-812225	M8805/110-8529	P7-832229	M8805/110-8634	P7-853224	M8805/110-8738	P7-863128
M8805/110-8426	P7-812226	M8805/110-8531	P7-833221	M8805/110-8635	P7-853225	M8805/110-8739	P7-863129
M8805/110-8427	P7-812227	M8805/110-8532	P7-833222	M8805/110-8636	P7-853226	M8805/110-8741	P7-864121
M8805/110-8428	P7-812228	M8805/110-8533	P7-833223	M8805/110-8637	P7-853227	M8805/110-8742	P7-864122
M8805/110-8429	P7-812229	M8805/110-8534	P7-833224	M8805/110-8638	P7-853228	M8805/110-8743	P7-864123
M8805/110-8431	P7-813221	M8805/110-8535	P7-833225	M8805/110-8639	P7-853229	M8805/110-8744	P7-864124
M8805/110-8432	P7-813222	M8805/110-8536	P7-833226	M8805/110-8641	P7-854221	M8805/110-8745	P7-864125
M8805/110-8433	P7-813223	M8805/110-8537	P7-833227	M8805/110-8642	P7-854222	M8805/110-8746	P7-864126
M8805/110-8434	P7-813224	M8805/110-8538	P7-833228	M8805/110-8643	P7-854223	M8805/110-8747	P7-864127
M8805/110-8435	P7-813225	M8805/110-8539	P7-833229	M8805/110-8644	P7-854224	M8805/110-8748	P7-864128
M8805/110-8436	P7-813226	M8805/110-8541	P7-834221	M8805/110-8645	P7-854225	M8805/110-8749	P7-864129
M8805/110-8437	P7-813227	M8805/110-8542	P7-834222	M8805/110-8646	P7-854226	M8805/110-8751	P7-865121
M8805/110-8438	P7-813228	M8805/110-8543	P7-834223	M8805/110-8647	P7-854227	M8805/110-8752	P7-865122
M8805/110-8439	P7-813229	M8805/110-8544	P7-834224	M8805/110-8648	P7-854228	M8805/110-8753	P7-865123
M8805/110-8441	P7-814221	M8805/110-8545	P7-834225	M8805/110-8649	P7-854229	M8805/110-8754	P7-865124
M8805/110-8442	P7-814222	M8805/110-8546	P7-834226	M8805/110-8651	P7-855221	M8805/110-8755	P7-865125
M8805/110-8443	P7-814223	M8805/110-8547	P7-834227	M8805/110-8652	P7-855222	M8805/110-8756	P7-865126
M8805/110-8444	P7-814224	M8805/110-8548	P7-834228	M8805/110-8653	P7-855223	M8805/110-8757	P7-865127
M8805/110-8445	P7-814225	M8805/110-8549	P7-834229	M8805/110-8654	P7-855224	M8805/110-8758	P7-865128
M8805/110-8446	P7-814226	M8805/110-8551	P7-835221	M8805/110-8655	P7-855225	M8805/110-8759	P7-865129
M8805/110-8447	P7-814227	M8805/110-8552	P7-835222	M8805/110-8656	P7-855226	M8805/110-8761	P7-866121
M8805/110-8448	P7-814228	M8805/110-8553	P7-835223	M8805/110-8657	P7-855227	M8805/110-8762	P7-866122
M8805/110-8449	P7-814229	M8805/110-8554	P7-835224	M8805/110-8658	P7-855228	M8805/110-8763	P7-866123
M8805/110-8451	P7-815221	M8805/110-8555	P7-835225	M8805/110-8659	P7-855229	M8805/110-8764	P7-866124
M8805/110-8452	P7-815222	M8805/110-8556	P7-835226	M8805/110-8661	P7-856221	M8805/110-8765	P7-866125
M8805/110-8453	P7-815223	M8805/110-8557	P7-835227	M8805/110-8662	P7-856222	M8805/110-8766	P7-866126
M8805/110-8454	P7-815224	M8805/110-8558	P7-835228	M8805/110-8663	P7-856223	M8805/110-8767	P7-866127
M8805/110-8455	P7-815225	M8805/110-8559	P7-835229	M8805/110-8664	P7-856224	M8805/110-8768	P7-866128
M8805/110-8456	P7-815226	M8805/110-8561	P7-836221	M8805/110-8665	P7-856225	M8805/110-8769	P7-866129
M8805/110-8457	P7-815227	M8805/110-8562	P7-836222	M8805/110-8666	P7-856226	M8805/110-8811	P7-861221
M8805/110-8458	P7-815228	M8805/110-8563	P7-836223	M8805/110-8667	P7-856227	M8805/110-8812	P7-861222
M8805/110-8459	P7-815229	M8805/110-8564	P7-836224	M8805/110-8668	P7-856228	M8805/110-8813	P7-861223
M8805/110-8461	P7-816221	M8805/110-8565	P7-836225	M8805/110-8669	P7-856229	M8805/110-8814	P7-861224
M8805/110-8462	P7-816222	M8805/110-8566	P7-836226	M8805/110-8711	P7-861121	M8805/110-8815	P7-861225
M8805/110-8463	P7-816223	M8805/110-8567	P7-836227	M8805/110-8712	P7-861122	M8805/110-8816	P7-861226
M8805/110-8464	P7-816224	M8805/110-8568	P7-836228	M8805/110-8713	P7-861123	M8805/110-8817	P7-861227
M8805/110-8465	P7-816225	M8805/110-8569	P7-836229	M8805/110-8714	P7-861124	M8805/110-8818	P7-861228
M8805/110-8466	P7-816226	M8805/110-8611	P7-851221	M8805/110-8715	P7-861125	M8805/110-8819	P7-861229
M8805/110-8467	P7-816227	M8805/110-8612	P7-851222	M8805/110-8716	P7-861126	M8805/110-8821	P7-862221
M8805/110-8468	P7-816228	M8805/110-8613	P7-851223	M8805/110-8717	P7-861127	M8805/110-8822	P7-862222
M8805/110-8469	P7-816229	M8805/110-8614	P7-851224	M8805/110-8718	P7-861128	M8805/110-8823	P7-862223
M8805/110-8511	P7-831221	M8805/110-8615	P7-851225	M8805/110-8719	P7-861129	M8805/110-8824	P7-862224
M8805/110-8512	P7-831222	M8805/110-8616	P7-851226	M8805/110-8721	P7-862121	M8805/110-8825	P7-862225
M8805/110-8513	P7-831223	M8805/110-8617	P7-851227	M8805/110-8722	P7-862122	M8805/110-8826	P7-862226
M8805/110-8514	P7-831224	M8805/110-8618	P7-851228	M8805/110-8723	P7-862123	M8805/110-8827	P7-862227
M8805/110-8515	P7-831225	M8805/110-8619	P7-851229	M8805/110-8724	P7-862124	M8805/110-8828	P7-862228
M8805/110-8516	P7-831226	M8805/110-8621	P7-852221	M8805/110-8725	P7-862125	M8805/110-8829	P7-862229
M8805/110-8517	P7-831227	M8805/110-8622	P7-852222	M8805/110-8726	P7-862126	M8805/110-8831	P7-863221
M8805/110-8518	P7-831228	M8805/110-8623	P7-852223	M8805/110-8727	P7-862127	M8805/110-8832	P7-863222

CROSS REFERENCE: MILITARY TO OTTO

MILITARY PART NO.	OTTO PART NO.	MILITARY PART NO.	OTTO PART NO.	MILITARY PART NO.	OTTO PART NO.	MILITARY PART NO.	OTTO PART NO.
M8805/110-8833	P7-863223	MS24523		MS24656-271	TE-21251	MS24659-21J	T9-MS2-21J
M8805/110-8834	P7-863224	MS24523-21	T9-MS1-21	MS24656-311	TE-21261	MS24659-21K	T9-MS2-21K
M8805/110-8835	P7-863225	MS24523-22	T9-MS1-22	MS24656-311W	TE-21261W	MS24659-21L	T9-MS2-21L
M8805/110-8836	P7-863226	MS24523-23	T9-MS1-23	MS24656-351	TE-21291	MS24659-21M	T9-MS2-21M
M8805/110-8837	P7-863227	MS24523-24	T9-MS1-24	MS24656-351W	TE-21291W	MS24659-21N	T9-MS2-21N
M8805/110-8838	P7-863228	MS24523-25	T9-MS1-25			MS24659-21P	T9-MS2-21P
M8805/110-8839	P7-863229	MS24523-26	T9-MS1-26	MS24658		MS24659-22D	T9-MS2-22D
M8805/110-8841	P7-864221	MS24523-27	T9-MS1-27	MS24658-21A	T9-MS1-21A	MS24659-22F	T9-MS2-22F
M8805/110-8842	P7-864222	MS24523-28	T9-MS1-28	MS24658-21B	T9-MS1-21B	MS24659-22G	T9-MS2-22G
M8805/110-8843	P7-864223	MS24523-29	T9-MS1-29	MS24658-21D	T9-MS1-21D	MS24659-23D	T9-MS2-23D
M8805/110-8844	P7-864224	MS24523-30	T9-MS1-30	MS24658-21E	T9-MS1-21E	MS24659-23F	T9-MS2-23F
M8805/110-8845	P7-864225	MS24523-31	T9-MS1-31	MS24658-21F	T9-MS1-21F	MS24659-23G	T9-MS2-23G
M8805/110-8846	P7-864226	MS24523-32	T9-MS1-32	MS24658-21G	T9-MS1-21G	MS24659-24E	T9-MS2-24E
M8805/110-8847	P7-864227	MS24523-33	T9-MS1-33	MS24658-21H	T9-MS1-21H	MS24659-24F	T9-MS2-24F
M8805/110-8848	P7-864228			MS24658-21J	T9-MS1-21J	MS24659-24K	T9-MS2-24K
M8805/110-8849	P7-864229	MS24524		MS24658-21K	T9-MS1-21K	MS24659-24M	T9-MS2-24M
M8805/110-8851	P7-865221	MS24524-21	T9-MS2-21	MS24658-21L	T9-MS1-21L	MS24659-25F	T9-MS2-25F
M8805/110-8852	P7-865222	MS24524-22	T9-MS2-22	MS24658-21M	T9-MS1-21M	MS24659-26F	T9-MS2-26F
M8805/110-8853	P7-865223	MS24524-23	T9-MS2-23	MS24658-21N	T9-MS1-21N	MS24659-27E	T9-MS2-27E
M8805/110-8854	P7-865224	MS24524-24	T9-MS2-24	MS24658-21P	T9-MS1-21P	MS24659-27L	T9-MS2-27L
M8805/110-8855	P7-865225	MS24524-25	T9-MS2-25	MS24658-22D	T9-MS1-22D	MS24659-27N	T9-MS2-27N
M8805/110-8856	P7-865226	MS24524-26	T9-MS2-26	MS24658-22Fk1	T9-MS1-22F	MS24659-28E	T9-MS2-28E
M8805/110-8857	P7-865227	MS24524-27	T9-MS2-27	MS24658-22G	T9-MS1-22G	MS24659-29F	T9-MS2-29F
M8805/110-8858	P7-865228	MS24524-28	T9-MS2-28	MS24658-23D	T9-MS1-23D	MS24659-30F	T9-MS2-30F
M8805/110-8859	P7-865229	MS24524-29	T9-MS2-29	MS24658-23F	T9-MS1-23F	MS24659-31E	T9-MS2-31E
M8805/110-8861	P7-866221	MS24524-30	T9-MS2-30	MS24658-23G	T9-MS1-23G	MS24659-31F	T9-MS2-31F
M8805/110-8862	P7-866222	MS24524-31	T9-MS2-31	MS24658-24E	T9-MS1-24E	MS24659-31K	T9-MS2-31K
M8805/110-8863	P7-866223	MS24524-32	T9-MS2-32	MS24658-24F	T9-MS1-24F	MS24659-31L	T9-MS2-31L
M8805/110-8864	P7-866224	MS24524-33	T9-MS2-33	MS24658-24K	T9-MS1-24K	MS24659-31M	T9-MS2-31M
M8805/110-8865	P7-866225			MS24658-24M	T9-MS1-24M	MS24659-31N	T9-MS2-31N
M8805/110-8866	P7-866226	MS24547		MS24658-25F	T9-MS1-25F	MS24659-32E	T9-MS2-32E
M8805/110-8867	P7-866227	MS24547-1	B2-211351	MS24658-26F	T9-MS1-26F	MS24659-33E	T9-MS2-33E
M8805/110-8868	P7-866228	MS24547-2	B2-211353	MS24658-27E	T9-MS1-27E	MS24659-33F	T9-MS2-33F
M8805/110-8869	P7-866229	MS24547-4	B2-212351	MS24658-27L	T9-MS1-27L	MS24659-33K	T9-MS2-33K
		MS24547-5	B2-212353	MS24658-27N	T9-MS1-27N	MS24659-33M	T9-MS2-33M
M8805/111		MS24547-6	B2-200029	MS24658-28E	T9-MS1-28E		
M8805/111-01	U2-016	MS24547-7	B2-200030	MS24658-29F	T9-MS1-29F	MS25089	
M8805/111-04	U2-025			MS24658-30F	T9-MS1-30F	MS25089-1A	P1-12122
		MS24655		MS24658-31E	T9-MS1-31E	MS25089-1AL	P1-14122
M9419/2		MS24655-211	TE-21111	MS24658-31F	T9-MS1-31F	MS25089-1AR	P1-12121
M9419/2-001	T4-0015	MS24655-211W	TE-21111W	MS24658-31K	T9-MS1-31K	MS25089-1ARL	P1-14121
M9419/2-002	T4-0043	MS24655-221	TE-21121	MS24658-31L	T9-MS1-31L	MS25089-1AW	P1-12129
M9419/2-003	T4-0042	MS24655-221W	TE-21121W	MS24658-31M	T9-MS1-31M	MS25089-1AWL	P1-14129
M9419/2-004	T4-0020	MS24655-231	TE-21131	MS24658-31N	T9-MS1-31N	MS25089-1B	P1-22122
M9419/2-005	T4-0041	MS24655-231W	TE-21131W	MS24658-32E	T9-MS1-32E	MS25089-1BL	P1-24122
M9419/2-006	T4-0078	MS24655-241	TE-21141	MS24658-33E	T9-MS1-33E	MS25089-1BR	P1-22121
		MS24655-241W	TE-21141W	MS24658-33F	T9-MS1-33F	MS25089-1BRL	P1-24121
MS21321		MS24655-271	TE-21151	MS24658-33K	T9-MS1-33K	MS25089-1BW	P1-22129
MS21321-1	P6-24000	MS24655-271W	TE-21151W	MS24658-33M	T9-MS1-33M	MS25089-1BWL	P1-24129
MS21321-2	P6-24001	MS24655-311	TE-21161			MS25089-1C	P1-32122
				MS24659		MS25089-1C-1	P1-32132
MS21353		MS24656		MS24659-21A	T9-MS2-21A	MS25089-1C-1L	P1-34132
MS21353-351	TE-11291	MS24656-211	TE-21211	MS24659-21B	T9-MS2-21B	MS25089-1CL	P1-34122
		MS24656-211W	TE-21211W	MS24659-21D	T9-MS2-21D	MS25089-1CR	P1-32121
MS24331		MS24656-221	TE-21221	MS24659-21E	T9-MS2-21E	MS25089-1CR-1	P1-32131
MS24331-1	P6-24002	MS24656-221W	TE-21221W	MS24659-21F	T9-MS2-21F	MS25089-1CR-1L	P1-34121
		MS24656-231	TE-21231	MS24659-21G	T9-MS2-21G	MS25089-1CW	P1-32129
		MS24656-231W	TE-21231W	MS24659-21H	T9-MS2-21H		

CROSS REFERENCE: MILITARY TO OTTO

MILITARY PART NO.	OTTO PART NO.	MILITARY PART NO.	OTTO PART NO.	MILITARY PART NO.	OTTO PART NO.	MILITARY PART NO.	OTTO PART NO.
MS25089-1CW-1	P1-32139	MS25089-2C-1	P1-32232	MS25089-3AWL	P1-14629	MS25089-3HW-1	P1-82639
MS25089-1CW-1L	P1-34139	MS25089-2C-1L	P1-34232	MS25089-3B	P1-22622	MS25089-3HW-1L	P1-84639
MS25089-1CWL	P1-34129	MS25089-2CL	P1-34222	MS25089-3BL	P1-24622	MS25089-3HWL	P1-84629
MS25089-1E	P1-52122	MS25089-2CR	P1-32221	MS25089-3BR	P1-22621	MS25089-4A	P1-12422
MS25089-1EL	P1-54122	MS25089-2CR-1	P1-32231	MS25089-3BRL	P1-24621	MS25089-4AL	P1-14422
MS25089-1ER	P1-52121	MS25089-2CR-1L	P1-34231	MS25089-3BW	P1-22629	MS25089-4AR	P1-12421
MS25089-1ERL	P1-54121	MS25089-2CRL	P1-34221	MS25089-3BWL	P1-24629	MS25089-4ARL	P1-14421
MS25089-1EW	P1-52129	MS25089-2CW	P1-32229	MS25089-3C	P1-32622	MS25089-4AW	P1-12429
MS25089-1EWL	P1-54129	MS25089-2CW-1	P1-32239	MS25089-3C-1	P1-32632	MS25089-4AWL	P1-14429
MS25089-1F	P1-62122	MS25089-2CW-1L	P1-34239	MS25089-3C-1L	P1-34632	MS25089-4B	P1-22422
MS25089-1F-1	P1-62132	MS25089-2CWL	P1-34229	MS25089-3CL	P1-34622	MS25089-4BL	P1-24422
MS25089-1F-1L	P1-64132	MS25089-2E	P1-52222	MS25089-3CR	P1-32621	MS25089-4BR	P1-22421
MS25089-1FL	P1-64122	MS25089-2EL	P1-54222	MS25089-3CR-1	P1-32631	MS25089-4BRL	P1-24421
MS25089-1FR	P1-62121	MS25089-2ER	P1-52221	MS25089-3CR-1L	P1-34631	MS25089-4BW	P1-22429
MS25089-1FR-1	P1-62131	MS25089-2ERL	P1-54221	MS25089-3CRL	P1-34621	MS25089-4BWL	P1-24429
MS25089-1FR-1L	P1-64131	MS25089-2EW	P1-52229	MS25089-3CW	P1-32629	MS25089-4C	P1-32422
MS25089-1FRL	P1-64121	MS25089-2EWL	P1-54229	MS25089-3CW-1	P1-32639	MS25089-4C-1	P1-32432
MS25089-1FW	P1-62129	MS25089-2F	P1-62222	MS25089-3CW-1L	P1-34639	MS25089-4C-1L	P1-34432
MS25089-1FW-1	P1-62139	MS25089-2F-1	P1-62232	MS25089-3CWL	P1-34629	MS25089-4CL	P1-34422
MS25089-1FW-1L	P1-64139	MS25089-2F-1L	P1-64232	MS25089-3E	P1-52622	MS25089-4CR	P1-32421
MS25089-1FWL	P1-64129	MS25089-2FL	P1-64222	MS25089-3EL	P1-54622	MS25089-4CR-1	P1-32431
MS25089-1G	P1-72122	MS25089-2FR	P1-62221	MS25089-3ER	P1-52621	MS25089-4CR-1L	P1-34431
MS25089-1G-1	P1-72132	MS25089-2FR-1	P1-62231	MS25089-3ERL	P1-54621	MS25089-4CRL	P1-34421
MS25089-1G-1L	P1-74132	MS25089-2FR-1L	P1-64231	MS25089-3EW	P1-52629	MS25089-4CW	P1-32429
MS25089-1GL	P1-74122	MS25089-2FRL	P1-64221	MS25089-3EVL	P1-54829	MS25089-4CW-1	P1-32439
MS25089-1GR	P1-72121	MS25089-2FW	P1-62229	MS25089-3F	P1-62622	MS25089-4CW-1L	P1-34439
MS25089-1GR-1	P1-72131	MS25089-2FW-1	P1-62239	MS25089-3F-1	P1-62632	MS25089-4CWL	P1-34429
MS25089-1GR-1L	P1-74131	MS25089-2FW-1L	P1-64239	MS25089-3F-1L	P1-61632	MS25089-4E	P1-52422
MS25089-1GRL	P1-74121	MS25089-2FWL	P1-64229	MS25089-3FL	P1-64622	MS25089-4EL	P1-54422
MS25089-1GW	P1-72129	MS25089-2G	P1-72222	MS25089-3FR	P1-62621	MS25089-4ER	P1-52421
MS25089-1GW-1	P1-72139	MS25089-2G-1	P1-72232	MS25089-3FR-1	P1-62631	MS25089-4ERL	P1-54421
MS25089-1GW-1L	P1-74139	MS25089-2G-1L	P1-74232	MS25089-3FR-1L	P1-64631	MS25089-4EW	P1-52429
MS25089-1GWL	P1-74129	MS25089-2GL	P1-74222	MS25089-3FRL	P1-64621	MS25089-4EWL	P1-54429
MS25089-1H	P1-82122	MS25089-2GR	P1-72221	MS25089-3FW	P1-62629	MS25089-4F	P1-62422
MS25089-1H-1	P1-82132	MS25089-2GR-1	P1-72231	MS25089-3FW-1	P1-62639	MS25089-4F-1	P1-62432
MS25089-1H-1L	P1-84132	MS25089-2GR-1L	P1-74231	MS25089-3FW-1L	P1-64639	MS25089-4F-1L	P1-64421
MS25089-1HL	P1-84122	MS25089-2GRL	P1-74221	MS25089-3FWL	P1-64629	MS25089-4FL	P1-64422
MS25089-1HR	P1-82121	MS25089-2GW	P1-72229	MS25089-3G	P1-72622	MS25089-4FR	P1-62421
MS25089-1HR-1	P1-82131	MS25089-2GW-1	P1-72239	MS25089-3G-1	P1-72632	MS25089-4FR-1	P1-62431
MS25089-1HR-1L	P1-84131	MS25089-2GW-1L	P1-74239	MS25089-3G-1L	P1-74632	MS25089-4FR-1L	P1-64431
MS25089-1HRL	P1-84121	MS25089-2GWL	P1-74229	MS25089-3GL	P1-74622	MS25089-4FRL	P1-64421
MS25089-1HW	P1-82129	MS25089-2H	P1-82222	MS25089-3GR	P1-72621	MS25089-4FW	P1-62429
MS25089-1HW-1	P1-82139	MS25089-2H-1	P1-82232	MS25089-3GR-1	P1-72631	MS25089-4FW-1	P1-62439
MS25089-1HW-1L	P1-84139	MS25089-2H-1L	P1-84232	MS25089-3GR-1L	P1-74631	MS25089-4FW-1L	P1-64439
MS25089-1HWL	P1-84129	MS25089-2HL	P1-84222	MS25089-3GRL	P1-74621	MS25089-4FWL	P1-64429
MS25089-2A	P1-12222	MS25089-2HR	P1-82221	MS25089-3GW	P1-72629	MS25089-4G	P1-72422
MS25089-2AL	P1-14222	MS25089-2HR-1	P1-82231	MS25089-3GW-1	P1-72639	MS25089-4G-1	P1-72432
MS25089-2AR	P1-12221	MS25089-2HR-1L	P1-84231	MS25089-3GW-1L	P1-74639	MS25089-4G-1L	P1-74432
MS25089-2ARL	P1-14221	MS25089-2HRL	P1-84221	MS25089-3GWL	P1-74629	MS25089-4GL	P1-74422
MS25089-2AW	P1-12229	MS25089-2HW	P1-82229	MS25089-3H	P1-82622	MS25089-4GR	P1-72421
MS25089-2AWL	P1-14229	MS25089-2HW-1	P1-82239	MS25089-3H-1	P1-82632	MS25089-4GR-1	P1-72431
MS25089-2B	P1-22222	MS25089-2HW-1L	P1-84239	MS25089-3H-1L	P1-84632	MS25089-4GR-1L	P1-74431
MS25089-2BL	P1-24222	MS25089-2HWL	P1-84229	MS25089-3HL	P1-84622	MS25089-4GRL	P1-74421
MS25089-2BR	P1-22221	MS25089-3A	P1-12622	MS25089-3HR	P1-82621	MS25089-4GW	P1-72429
MS25089-2BRL	P1-24221	MS25089-3AL	P1-14622	MS25089-3HR-1	P1-82631	MS25089-4GW-1	P1-72439
MS25089-2BW	P1-22229	MS25089-3AR	P1-12621	MS25089-3HR-1L	P1-84631	MS25089-4GW-1L	P1-74439
MS25089-2BWL	P1-24229	MS25089-3ARL	P1-14621	MS25089-3HRL	P1-84621	MS25089-4GWL	P1-74429
MS25089-2C	P1-32222	MS25089-3AW	P1-12629	MS25089-3HW	P1-82629	MS25089-4H	P1-82422

MILITARY CROSS REFERENCE

CROSS REFERENCE: MILITARY TO OTTO

MILITARY PART NO.	OTTO PART NO.	MILITARY PART NO.	OTTO PART NO.	MILITARY PART NO.	OTTO PART NO.	MILITARY PART NO.	OTTO PART NO.
MS25089-4H-1	P1-82432	MS25089-5GR-1	P1-72331	MS27717-22-1	T3-21221	MS27721-21-1F	T3-31211F
MS25089-4H-1L	P1-84432	MS25089-5GR-1L	P1-74331	MS27717-23-1	T3-21231	MS27721-21-1G	T3-31211G
MS25089-4HL	P1-84422	MS25089-5GRL	P1-74321	MS27717-26-1	T3-21241	MS27721-21-1H	T3-31211H
MS25089-4HR	P1-82421	MS25089-5GW	P1-72329	MS27717-27-1	T3-21251	MS27721-21-1J	T3-31211J
MS25089-4HR-1	P1-82431	MS25089-5GW-1	P1-72339	MS27717-31-1	T3-21261	MS27721-21-1K	T3-31211K
MS25089-4HR-1L	P1-84431	MS25089-5GW-1L	P1-74339			MS27721-21-1L	T3-31211L
MS25089-4HRL	P1-84421	MS25089-5GWL	P1-74329	MS27718		MS27721-21-1M	T3-31211M
MS25089-4HW	P1-82429	MS25089-5H	P1-82322	MS27718-21-1	T3-11111	MS27721-21-1N	T3-31211N
MS25089-4HW-1	P1-82439	MS25089-5H-1	P1-82332	MS27718-22-1	T3-11121	MS27721-21-1P	T3-31211P
MS25089-4HW-1L	P1-84439	MS25089-5H-1L	P1-84332	MS27718-23-1	T3-11131	MS27721-22-1D	T3-31221D
MS25089-4HWL	P1-84429	MS25089-5HL	P1-84322	MS27718-26-1	T3-11141	MS27721-22-1F	T3-31221F
MS25089-5A	P1-12322	MS25089-5HR	P1-82321	MS27718-27-1	T3-11151	MS27721-22-1G	T3-31221G
MS25089-5AL	P1-14322	MS25089-5HR-1	P1-82331	MS27718-31-1	T3-11161	MS27721-23-1D	T3-31231D
MS25089-5AR	P1-12321	MS25089-5HR-1L	P1-84331			MS27721-23-1F	T3-31231F
MS25089-5ARL	P1-14321	MS25089-5HRL	P1-84321	MS27719		MS27721-23-1G	T3-31231G
MS25089-5AW	P1-12329	MS25089-5HW	P1-82329	MS27719-21-1	T3-11211	MS27721-26-1F	T3-31241F
MS25089-5AWL	P1-14329	MS25089-5HW-1	P1-82339	MS27719-22-1	T3-11221	MS27721-27-1E	T3-31251E
MS25089-5B	P1-22322	MS25089-5HW-1L	P1-84339	MS27719-23-1	T3-11231	MS27721-27-1L	T3-31251L
MS25089-5BL	P1-24322	MS25089-5HWL	P1-84329	MS27719-26-1	T3-11241	MS27721-27-1N	T3-31251N
MS25089-5BR	P1-22321			MS27719-27-1	T3-11251	MS27721-31-1E	T3-31261E
MS25089-5BRL	P1-24321	MS25224		MS27719-31-1	T3-11261	MS27721-31-1F	T3-31261F
MS25089-5BW	P1-22329	MS25224-1	TG-00001			MS27721-31-1K	T3-31261K
MS25089-5BWL	P1-24329	MS25224-3	TG-00002	MS27720		MS27721-31-1L	T3-31261L
MS25089-5C	P1-32322			MS27720-21-1A	T3-31111A	MS27721-31-1M	T3-31261M
MS25089-5C-1	P1-32332	MS27217		MS27720-21-1B	T3-31111B	MS27721-31-1N	T3-31261N
MS25089-5C-1L	P1-34332	MS27217-1	B5-21141	MS27720-21-1D	T3-31111D		
MS25089-5CL	P1-34322			MS27720-21-1E	T3-31111E	MS27752	
MS25089-5CR	P1-32321	MS27240		MS27720-21-1F	T3-31111F	MS27752-1	TG-00006
MS25089-5CR-1	P1-32331	MS27240-1	P6-24003	MS27720-21-1G	T3-31111G		
MS25089-5CR-1L	P1-34331	MS27240-2	P6-24004	MS27720-21-1H	T3-31111H	MS90310	
MS25089-5CRL	P1-34321	MS27240-3	P6-14000	MS27720-21-1J	T3-31111J	MS90310-211	TE-11111
MS25089-5CW	P1-32329	MS27240-4	P6-14001	MS27720-21-1K	T3-31111K	MS90310-221	TE-11121
MS25089-5CW-1	P1-32339	MS27240-5	P6-24005	MS27720-21-1L	T3-31111L	MS90310-231	TE-11131
MS25089-5CW-1L	P1-34339	MS27240-6	P6-24006	MS27720-21-1M	T3-31111M	MS90310-241	TE-11141
MS25089-5CVL	P1-34329	MS27240-7	P6-14002	MS27720-21-1N	T3-31111N	MS90310-271	TE-11151
MS25089-5E	P1-52322			MS27720-21-1P	T3-31111P	MS90310-311	TE-11161
MS25089-5EL	P1-54322	MS27257		MS27720-22-1D	T3-31121D		
MS25089-5ER	P1-52321	MS27257-1	B3-26141	MS27720-22-1F	T3-31121F	MS90311	
MS25089-5ERL	P1-54321	MS27257-2	B3-22141	MS27720-22-1G	T3-31121G	MS90311-211	TE-11211
MS25089-5EVL	P1-52329			MS27720-23-1D	T3-31131D	MS90311-221	TE-11221
MS25089-5EVL	P1-54329	MS27407		MS27720-23-1F	T3-31131F	MS90311-231	TE-11231
MS25089-5F	P1-62322	MS27407-1	T9-MS2-01	MS27720-23-1G	T3-31131G	MS90311-271	TE-11251
MS25089-5F-1	P1-62332	MS27407-2	T9-MS2-02	MS27720-26-1F	T3-31141F	MS90311-311	TE-11261
MS25089-5F-1L	P1-64321	MS27407-3	T9-MS2-03	MS27720-27-1E	T3-31151E		
MS25089-5FL	P1-64322	MS27407-4	T9-MS2-04	MS27720-27-1L	T3-31151L		
MS25089-5FR	P1-62321	MS27407-5	T9-MS2-05	MS27720-27-1N	T3-31151N		
MS25089-5FR-1	P1-62331	MS27407-6	T9-MS2-06	MS27720-31-1E	T3-31161E		
MS25089-5FR-1L	P1-64331			MS27720-31-1F	T3-31161F		
MS25089-5FRL	P1-64321	MS27716		MS27720-31-1K	T3-31161K		
MS25089-5FW	P1-62329	MS27716-21-1	T3-21111	MS27720-31-1L	T3-31161L		
MS25089-5FW-1	P1-62339	MS27716-22-1	T3-21121	MS27720-31-1M	T3-31161M		
MS25089-5FW-1L	P1-64339	MS27716-23-1	T3-21131	MS27720-31-1N	T3-31161N		
MS25089-5FWL	P1-64329	MS27716-26-1	T3-21141				
MS25089-5G	P1-72322	MS27716-27-1	T3-21151	MS27721			
MS25089-5G-1	P1-72332	MS27716-31-1	T3-21161	MS27721-21-1A	T3-31211A		
MS25089-5G-1L	P1-74332			MS27721-21-1B	T3-31211B		
MS25089-5GL	P1-74322	MS27717		MS27721-21-1D	T3-31211D		
MS25089-5GR	P1-72321	MS27717-21-1	T3-21211	MS27721-21-1E	T3-31211E		

Actuator: Device applied to the button of a switch that causes the switch to operate.

Alternate Action: A pushbutton switch which alternatively changes from ON to OFF or OFF to ON when actuated, but stays in the desired electrical state after the button is released.

Bat Handle: Toggle lever shaped like a baseball bat. (See Figure 1)

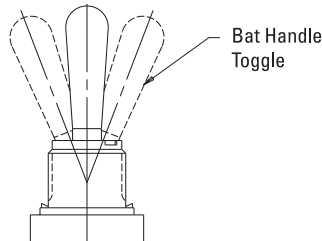


Figure 1

Bezel Mount: Switch mounting method from the front of the panel that has an attractive portion of the switch exposed on the front panel.

Blade: The moveable component of the switch used to complete the electrical circuit. (See Figure 2)

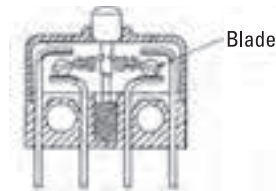


Figure 2

Boot: A rubber part used to protect a switch from water or dust. Usually found between the button of a switch and the case inside of the switch. An external boot can be placed over a button or toggle lever to protect the switch from water or dust.

Bounce: Rebounding of moving contact from the fixed contact during contact transfer (during switch operation).

Break: Interruption of a circuit.

Break Before Make: The moving contacts of a double throw switch interrupts one circuit before completing another circuit.

Bus Bars: Rigid conductors serving as a connection for two or more circuits.

Butterfly: The snap-action mechanism in a switch composed of the spring guide, two switch blades and extension spring: a double break mechanism.

Capacity: Usually refers to the current handling capability of a switch.

CE: The CE mark is a symbol that indicates a product complies with the "essential requirements" of the European laws. It indicates conformity to the legal requirements of the European Union (EU) Directive with respect to safety, health, environmental, and consumer protection.

Chatter: Rapid opening and closing of contacts, usually exhibited during extreme vibration and/or shock.

Clearance (Spacing): Distance through air between electrically live parts of opposite polarity or ground.

Collective: A grip used to control the up/down movement of an aircraft.

Common: The terminal of a switch that is part of both the normally open and the normally closed circuits.

Common Trip: A feature on a multi-pole switch in which the operation of any pole will cause all other poles to actuate.

Contact Forms: The way the switch contacts are arranged in a switch. There are single and double break arrangements in normally open and normally closed arrangements. (See Figure 3)

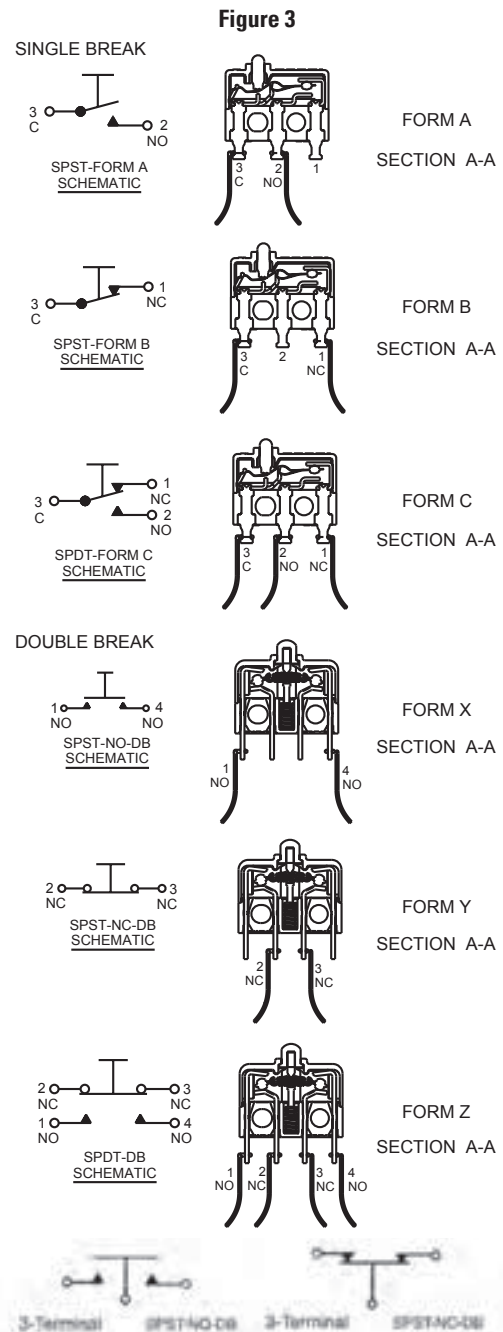


Figure 3

Contact Force: The force that the movable contact in a switch exerts on the fixed terminal.

Contact Gap: The distance that separates two contacts when the circuit is open.

Contact Resistance (CR): Resistance, measured in milliohms, of an electrical circuit caused by the contacts.

CSA (Canadian Standards Agency): A testing and safety certification agency.

Cyclic: A grip used to control the left/right or forward/backward movement of an aircraft.

D-Flat: A flat edge on one side of a cylinder for orientation and anti-rotation.

Dead Break: Open circuit condition, usually caused when actuating a switch slowly. Dead break results from low contact pressure, contact lift off or friction in the switch mechanism.

Detent: Feature that provides a tactile feel when the switch actuation point has been reached.

Dielectric Strength: Minimum voltage an insulating part of the device will withstand before it starts to conduct electricity.

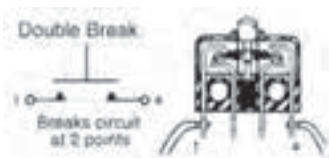
Differential: Distance the button travels between actuation and reset point.

Direct Current (DC): Type of electrical current having constant polarity, generally associated with electricity from a battery.

Double D: Flat edges on two sides of a cylinder used for orientation and anti rotation.

Double Break: A mechanism that breaks the circuit at two points simultaneously. The B3 is a double break switch. (See Figure 4)

Figure 4

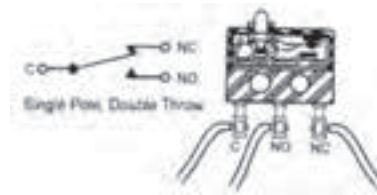


Double Throw: Contact arrangement that allows current to flow from the common terminal to a normally closed terminal and then to a normally open terminal. (See figure 5)

DPDT (Double Pole Double Throw) Switch Configuration: Double pole means two independent circuits are actuated by the button. Double throw means the common terminal of

each circuit (pole) can transfer current to a normally closed terminal and then alternately to a normally open terminal.

Figure 5



DPST (Double Pole Single Throw) Switch Configuration: Double pole means two independent circuits are actuated by the button. Single throw means each circuit only has two terminals and only operates as an on/off switch.

Dusttight: Sealed switch that will withstand sand and dust environments per MIL-PRF-8805 Design 2.

DWV (Dielectric Withstanding Voltage): The maximum voltage that can be applied to an insulator or switch before it will break down and begin to conduct electricity.

Electrical Life: Expected number of cycles a switch will withstand when operated at a specified or full rated load.

Electrical Load: The amount of electricity that is applied to the switch or the circuit.

Environmentally Sealed Switch: A switch that is sealed to protect the internal contacts from the external environment.

Flash Plating: Plating thickness of 10 micro inches (0.00001) or less, typically done with gold plate.

Form Z: A two circuit double break switch such as a Single Pole Double Throw Double Break switch. (See Figure 6)

Free Position: The position of the button or toggle of a switch in its normal position. The free position is usually measured from the center of the mounting holes to the top of the button on a basic switch or from the top of the button to a reference point on a pushbutton switch.

Figure 6



Gated: Restricted movement in XY axis only.

Hall Effect Sensor: An electronic device that changes voltage output or its state when exposed to a magnetic field.

Header: The part of a switch that groups terminals or wires together to allow entry or exit.

GLOSSARY OF TERMS

Hermetic: An environmental seal specification grade that requires no air, gas or liquid will leak into, or out of, the switch.

High Inrush: A brief pulse of very high electrical current, much greater than the design load, that occurs when the electrical load is initially applied to the circuit.

IC (Integrated Circuit): An electrical circuit composed of many components etched on a semiconductor chip.

Immersion Proof: A switch or product able to withstand submersion in water to a depth of 3 feet or more for 30 minutes without leaking.

Inductive Load: A load where the current rises slowly to a steady state.

IP (Ingress Protection): Numbers used to rate the environmental seal of an enclosure.

IP64: IP rating indicating that the product is dusttight and protected against splashing water.

IP65: IP rating indicating that the product is dusttight and protected against water projected by a 6.3 mm nozzle against enclosure for 3 minutes at 100 liters per minute of 100 kN/m² at distance of 3 meter.

IP68S: IP rating indicating that the product is dusttight and sealed against continuous immersion under 1 meter of water for a minimum of 31 minutes, not operated.

IP69K: IP rating indicating the product is protected against for high-pressure, high-temperature wash-down applications. Such enclosures must not only be dusttight, but it must also be able to withstand high-pressure and steam cleaning.

Lamp Load: A type of electrical load imposed by the use of incandescent light bulbs.

LED (Light Emitting Diode): A solid state device that is capable of emitting light.

Lever Actuator: A lever that is attached to a basic switch to allow actuation of the switch from a place other than its button.

Lever Lock: A part of the toggle on a switch that keeps the toggle lever from being moved accidentally. Its spring detent requires an outward pull on the toggle lever to operate the switch.

Limit Switch: A type of switch used to determine the position of a moving component that activates it.

Lockout Collar: Part of the switch bushing that prevents the toggle lever from being moved accidentally. There are many styles to allow for the desired operating features of the switch.

Logic Level: An electrical load that simulates a computer input circuit, typically 5 volts at 10 milliamps or less.

Low Level: A very small load; 30 millivolts at 10 milliamps.

Make Before Break: The moving contacts of a double throw switch complete one circuit before interrupting another circuit.

Moistureproof: A seal rating of a switch. Moistureproof seals withstand high humidity and limited exposure to water or liquid spray.

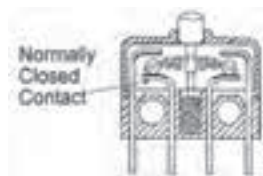
Momentary Action: Switch that requires the operator to hold the button or lever in the operating position. The button or toggle will return to the free position (rest position) when it is let go.

Motor Load: A switch load that simulates an electric motor, it usually specifies an in-rush current seven times the running current.

Movement Differential: The distance the button moves from the operate point to the release point (hysteresis).

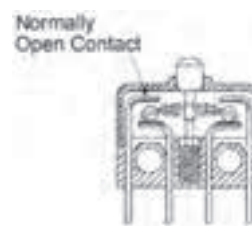
Normally Closed (NC): A normally closed circuit allows electricity to flow through when the switch is in its free position; it prevents the electrical flow when actuated. (See Figure 7)

Figure 7



Normally Open (NO): A normally open circuit prevents the flow of electricity to flow through when the circuit is in its free position; it allows the electrical flow when it is actuated. (See Figure 8)

Figure 8



Null Hysteresis: The measure of output after release from deflected position; usually only used in transducers.

Null Output: Voltage output of a device at rest, usually measured in transducers.

OEM: Original Equipment Manufacturer.

Operate Force: The amount of force it takes to make the toggle or button operate the switch, measured immediately before the switch operates.

Operating Point: The position of the button or toggle of a switch when the switch operates. The operating point is usually measured from the top of the button to the center of the mounting holes in basic switches or from the free position of the button in pushbutton switches.

Overtravel: Distance the button travels from the operate point until the button stops.

Pretravel: Distance the switch button or toggle travels from the free position until it reaches the operating point.

OPL (Qualified Products List): A government report that lists which companies are approved to make a particular product for military use.

Release Force: The force that is applied to the button or toggle when the switch contacts return to their unoperated position.

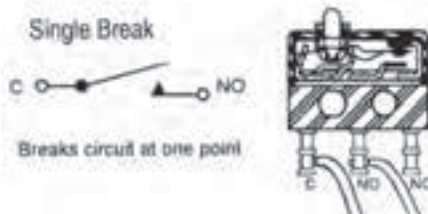
Resistive Load: An electrical load in which the current instantly rises to its steady state when applied and instantly drops to zero when discontinued.

Shroud: A wall or housing that surrounds a switch, button or toggle to protect the switch from accidental operation.

Single Throw: A switch configuration using a common and only one other contact.

Single Break: A switch mechanism with one fixed terminal and one moving terminal that interrupts the flow of electricity at only one place. (See Figure 9)

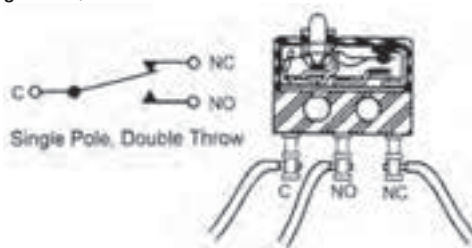
Figure 9



Snap Action: The abrupt opening or closing of contacts from one position to another. Snap-action switches operate relatively independent of the speed of the button or actuator.

SPDT (Single Pole Double Throw) Switch Configuration: A single circuit or switch with one common terminal that is capable of switching electricity between two other terminals or circuits. (See Figure 10)

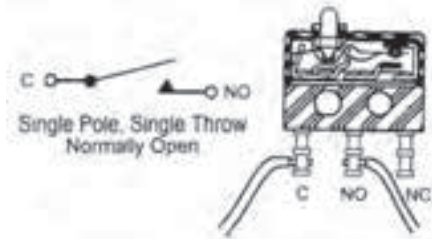
Figure 10



Splashproof: A seal rating for a switch that will withstand high humidity and limited exposure to water or liquid spray.

SPST (Single Pole Single Throw) Switch Configuration: A single circuit or switch with one common terminal that is only capable of switching between one other terminal for on/off operation of the circuit. (See Figure 11)

Figure 11

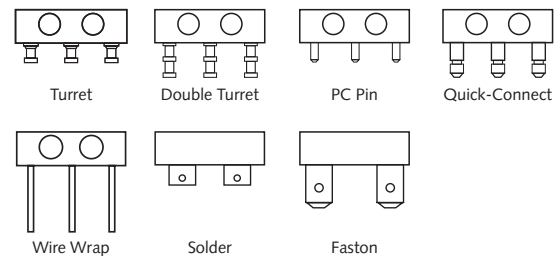


Subminiature: A switch that is smaller than 1 inch long.

Sub-subminiature: A switch that is smaller than 1/2 inch long

Tactile Feedback: The feel of increased or decreased force transmitted through the button or toggle of a switch when actuated. The snap feel of a switch.

Terminal Configuration: The type and position of the terminals when they exit a switch.



Transducer: A device that converts a mechanical input into an electrical output.

Travel: The distance that a switch button moves between events like operate point, reset point or other point of interest when operating the switch.

Trim Switch: A switch used to provide 2 or 4-way actuation - often up/down or up down/right left control.

Trip Point: The position of the button or toggle of a switch when the switch operates.

Two Circuit: Refer to Form Z. Includes single pole, double throw and double break configurations.

UL (Underwriters Laboratories): A testing and safety certification agency for consumer products.

Watertight: A seal rating that indicates that water cannot get in when the item is submerged in 3 feet of water.

Wiping Action: The travel of the moveable contact over the fixed contact as the switch operates. This action helps clean the contacts of contamination.

It is the buyer's responsibility to determine the suitability of the particular device for its application. Use of this catalog is for reference purposes only. Dimensional drawings are available upon request - contact your Customer Service Representative.

OTTO[®]

Expect Excellence.

OTTO maintains a comprehensive on-site testing facility. Tests include electrical and mechanical endurance cycling as well as IPX9K, moisture, humidity, sand, dust, vibration and shock testing to simulate severe and adverse operating environments.

Learn more at www.ottoexcellence.com



OTTO®

Expect Excellence.

OTTO designs and manufactures precision switches, grips, joysticks, operator control modules and custom solutions for the most demanding applications including a broad range of standard and unique products from traditional snap action switches to Hall effect technology, USB, PWM, CANopen® and J1939 communication protocols.

In business for over 50 years, OTTO's products perform in some of the toughest industries including construction, agricultural, military, aerospace, material handling and medical. We are ISO 9001, ISO 14001 and AS9100 registered, A2LA accredited to ISO/IEC 17025, and TL 9000, TS 16949 and QS 9000 compliant – maintaining the highest quality standards.

www.ottoexcellence.com

2 East Main Street, Carpentersville, IL 60110
847-428-7171 • info@ottoexcellence.com

© Copyright 2016 OTTO Engineering, Inc. ® OTTO and the OTTO Expect Excellence logo are registered trademarks of OTTO Engineering, Inc.
All rights reserved. Publication #MKT2016-12

