



MTS7

# MTS7 Series

Accelerator pedal for electronic throttle control systems

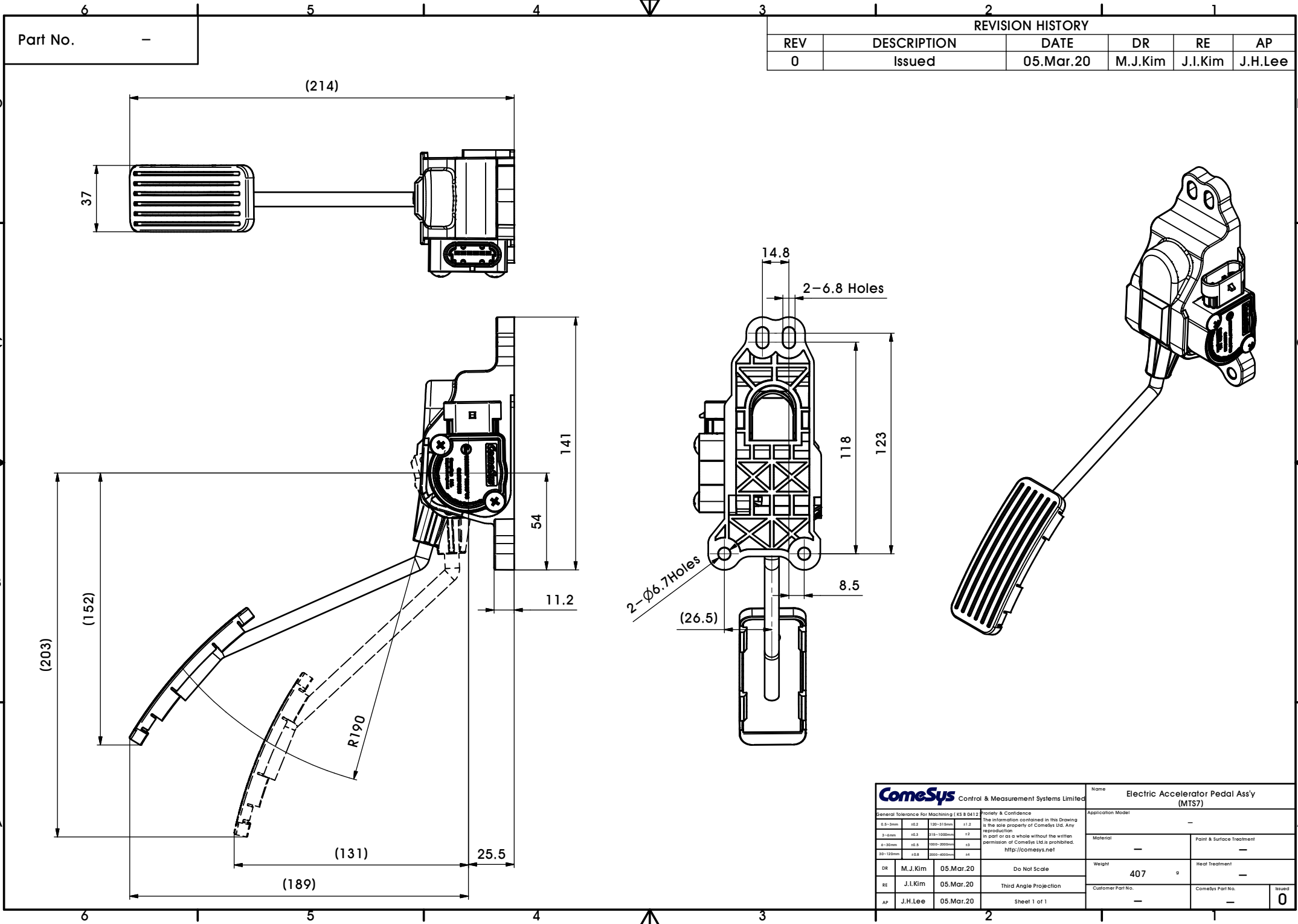


## FEATURES/BENEFITS

- ◆ **Output :** Single, Dual output, PWM, CAN Bus as per SAE J-1939
- ◆ **Integrated sensor :** detachable
- ◆ **Switch :** Double, Electronic or mechanical
- ◆ **Hysteresis :** Dual load/return force generation in compliance with FMVSS 124
- ◆ **Connector :** AMP J-Series
- ◆ **Option :** Delphi, Deutsch, Packard weather seal or as requested.

## TYPICAL SPECIFICATIONS

|                     |                           |   |
|---------------------|---------------------------|---|
| <b>PRODUCT LIFE</b> | <b>FULL TRAVEL CYCLES</b> | 10 M  |
| <b>ELECTRONICS</b>  | Seal Integrity            | IP67  |
|                     | ESD                       | Tested in accordance with IEC 61000-4-2   |
|                     | EMS                       | As per ISO 11452-2 (2004E)  |
| <b>ELECTRICAL</b>   | Input Voltage             | 5 / 12 / 24 / 48 / 72 Vdc as requested  |
|                     | Signal and Switches       | Signal type and switch position to be in accordance with customer specification.          |
| <b>MECHANICAL</b>   | Pedal Travel              | 20 +/- 2deg   |
|                     | Pedal Force               | Initial Load 16N min, Full Throttle 30N max.<br>Adjustable as per customer specification. |
|                     | End-Break                 | 160kgf +/-5kgf  |
| <b>ENVIRONMENT</b>  | Operation Temp.           | -40 ~ +85°C   |
|                     | Storage Temp.             | -40 ~ +105°C  |
|                     | Vibration                 | Subject to broadband random vibration between 20 and 2000Hz for 20 hrs in all 3 axis.     |
|                     | Shock                     | After exposed to Acceleration 20G for 11ms  |
|                     | Salt fog                  | After exposed to Salt Fog 96 Hours (JIS Z2371)  |
|                     | Impact                    | Free drop onto a smooth concrete floor from a height of one meter, a total of 6 times.    |



|   |  |  |  |           |   |  |                   |        |                           |   |
|---|--|--|--|-----------|---|--|-------------------|--------|---------------------------|---|
| <b>ComeSys</b> Control & Measurement Systems Limited  |  |  | Name   |           | Electric Accelerator Pedal Ass'y (MTS7) |  |                   |        |                           |   |
| <small>General Tolerance for Machining (KS B 0412)</small><br>0.5-30mm ±0.2    30-50mm ±0.3    50-100mm ±0.4<br>100-150mm ±0.5    150-300mm ±0.6    300-600mm ±0.8<br>600-1200mm ±1.0 |  |  | <small>Priority &amp; Confidence</small><br>The information contained in this Drawing is the sole property of ComeSys Ltd. Any reproduction in part or as a whole without the written permission of ComeSys Ltd is prohibited. <a href="http://comesys.net">http://comesys.net</a> |           | Application Model                       |  | -                 |        |                           |   |
| DR  |  |  | M.J.Kim  | 05.Mar.20 | Do Not Scale                            |  | Material          | -      | Paint & Surface Treatment | - |
| RE  |  |  | J.I.Kim  | 05.Mar.20 | Third Angle Projection                  |  | Weight            | 407 g  | Heat Treatment            | - |
| AP  |  |  | J.H.Lee  | 05.Mar.20 | Sheet 1 of 1                            |  | Customer Part No. | -      | ComeSys Part No.          | - |
|   |  |  |  |           |   |  |                   | Issued | 0                         |   |