



MTS4

# MTS4 Series

Accelerator pedal for electronic throttle control systems

## FEATURES/BENEFITS

- ◆ **Output** : Single, Dual output, PWM, CAN Bus as per SAE J-1939
- ◆ **Integrated sensor** : detachable
- ◆ **Switch** : Double, Electronic or mechanical
- ◆ **Hysteresis** : Dual load/return force generation in compliance with FMVSS 124
- ◆ **Compact size, weight** : approx. 400 g
- ◆ **Connector** : AMP J-Series
- ◆ **Option** : Delphi, Deutsch, Packard weather seal or as requested.

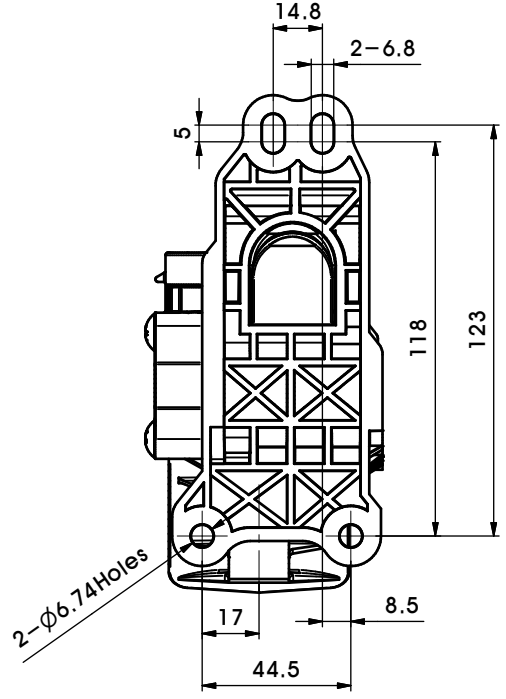
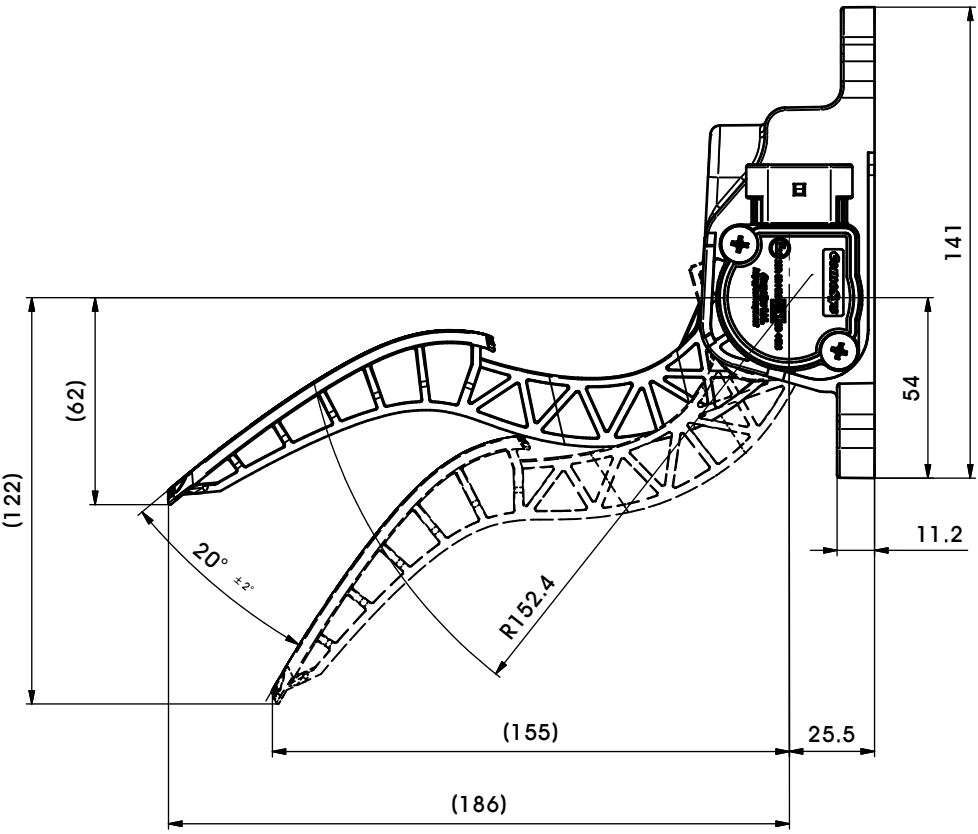
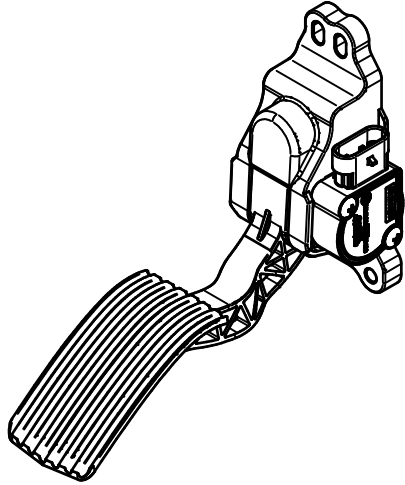
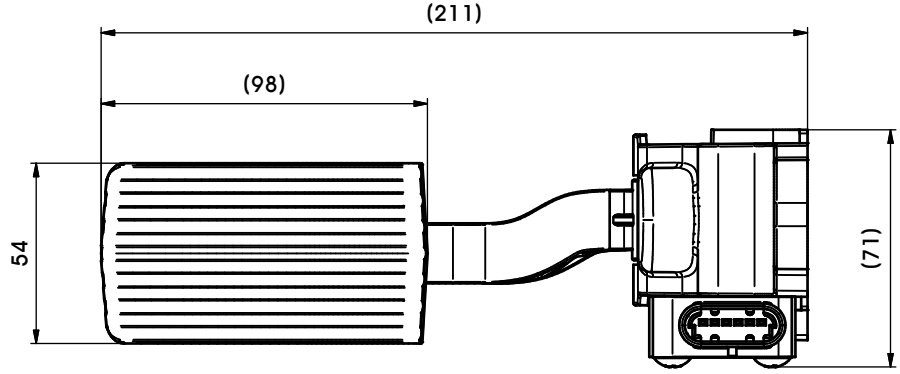


## TYPICAL SPECIFICATIONS

<b>PRODUCT LIFE</b>	<b>FULL TRAVEL CYCLES</b>	10 M
<b>ELECTRONICS</b>	Seal Integrity	IP67
	ESD	Tested in accordance with IEC 61000-4-2
	EMS	As per ISO 11452-2 (2004E)
<b>ELECTRICAL</b>	Input Voltage	5 / 12 / 24 / 48 / 72 Vdc as requested
	Signal and Switches	Signal type and switch position to be in accordance with customer specification.
<b>MECHANICAL</b>	Pedal Travel	20 +/- 2deg
	Pedal Force	Initial Load 18N min, Full Throttle 32N max. Adjustable as per customer specification. Measured at a point of 152.4mm from the pedal pivot axis.
	End-Break	70kgf +/-5kgf
	Optional KDF	Position adjustable
<b>ENVIRONMENT</b>	Operation Temp.	-40 ~ +85°C
	Storage Temp.	-40 ~ +105°C
	Vibration	Subject to broadband random vibration between 20 and 2000Hz for 20 hrs in all 3 axis.
	Shock	After exposed to Acceleration 20G for 11ms
	Salt fog	After exposed to Salt Fog 96 Hours (JIS Z2371)
	Impact	Free drop onto a smooth concrete floor from a height of one meter, a total of 6 times.

Part No. -

REVISION HISTORY					
REV	DESCRIPTION	DATE	DR	RE	AP
0	Issued	05.Mar.20	M.J.Kim	J.I.Kim	J.H.Lee



<b>ComeSys</b> Control & Measurement Systems Limited			Name Electric Accelerator Pedal Ass'y (MTS4)																		
General Tolerance for Machining (KS B 0412)			Application Model -																		
<table border="1"> <tr> <td>5-30mm</td> <td>±0.2</td> <td>120-315mm</td> <td>±1.2</td> </tr> <tr> <td>3-6mm</td> <td>±0.3</td> <td>315-1000mm</td> <td>±2</td> </tr> <tr> <td>6-30mm</td> <td>±0.5</td> <td>1000-3000mm</td> <td>±3</td> </tr> <tr> <td>30-120mm</td> <td>±0.8</td> <td>3000-6000mm</td> <td>±4</td> </tr> </table>			5-30mm	±0.2	120-315mm	±1.2	3-6mm	±0.3	315-1000mm	±2	6-30mm	±0.5	1000-3000mm	±3	30-120mm	±0.8	3000-6000mm	±4	Priority & Confidence The information contained in this Drawing is the sole property of ComeSys Ltd. Any reproduction in part or as a whole without the written permission of ComeSys Ltd is prohibited. <a href="http://comesys.net">http://comesys.net</a>		
5-30mm	±0.2	120-315mm	±1.2																		
3-6mm	±0.3	315-1000mm	±2																		
6-30mm	±0.5	1000-3000mm	±3																		
30-120mm	±0.8	3000-6000mm	±4																		
DR	M.J.Kim	05.Mar.20	Do Not Scale	Weight	252 g																
RE	J.I.Kim	05.Mar.20	Third Angle Projection	Heat Treatment	-																
AP	J.H.Lee	05.Mar.20	Sheet 1 of 1	Customer Part No.	-																
				Comesys Part No.	-																
				Issued	0																