

# BREATHERS & FILLER BREATHERS

## TOP MOUNT — HIGH FLOW

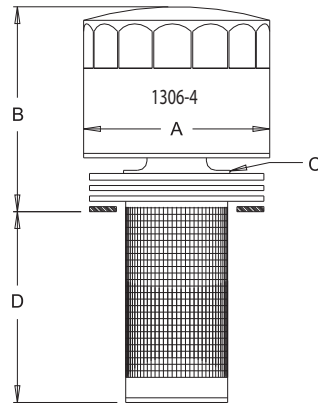
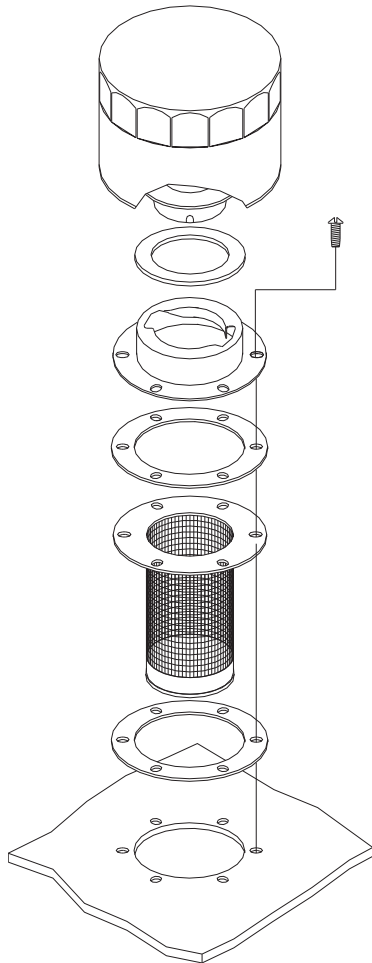
Top Mount Filler Breathers protect your hydraulic systems from ingesting airborne particles. These breathers feature a large pleated surface area providing an exceptional dirt holding capacity that extends the life of the breather and thus the length of time between servicing.

### Standard Features:

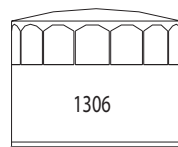
- 3 micron and above filtration
- High capacity air flow

### Mounting Information:

- 3/4 inch NPT (male) adapter - any standard 3/4 inch NPT (female) threaded pipe port
- SAE bayonet flange adapter - any mating SAE bayonet flange adapter

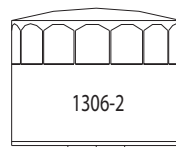


AIR BREATHER BAYONET  
FILL ASSEMBLY



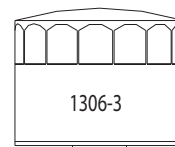
1306  
Element Only

1 1/8-16UN FEMALE  
MOUNTING THREAD



1306-2

3/4 NPT



1306-3

BAYONET FLANGE

### Technical and Dimensional Details

Part No.	Description	Normal Capacity (SCFM)	Air Flow PSI Drop	A Dia (inches)	B Dim (inches)	C Adapter	D Dim (inches)
1306	Air Breather Filter Element Only	40	.4 PSI @ 20 SFM 1.25 PSI at 40 SCFM	3.68	3.25	N/A	N/A
1306-2	Air Breather w/ 3/4 inch NPT Adapter				4.38	3/4 inch NPT (male)	N/A
1306-3	Air Breather with Bayonet Flange Adapter				4.50	SAE Bayonet	N/A
1306-4*	Air Breather Bayonet Fill Assembly				4.50	SAE Bayonet	3.80

\*NOTE: 1306-4 includes (1) air breather filter, (1) cap gasket, (1) flange gasket, (1) flange SAE 1829, (1) 4 inch Nylon strainer basket, (1) tank gasket, (6) mounting screws