



CONSOLES & SEATS

Simplify the Complex

YOUR TRUSTED RESOURCE

GS Global Resources is trusted by OEMs who demand a competitive advantage for every solution. From system and component design to production and market support, we help OEMs interpret, adapt, and adopt technology. Solving OEM challenges at the intersection of fluid power and electronic control, our customers profit from our continuous technology and innovation transfer.

PERFORMANCE

Access to the foremost machine performance resource trusted by OEMs ensuring a competitive advantage from every solution.

PROFITABILITY

Continuous technology and innovation transfer through a single point of accountability provides OEMs unmatched value.

PRAGMATIC

Problem solvers, renowned by our customers, we relentlessly pursue and develop fresh ideas to benefit OEMs.

TALENT

Rare technical talent, scalability, and flexibility, coupled with incomparable ability to understand and overcome OEM challenges.

CONFIDENCE

Support to help OEMs best integrate and utilize technology from system and component design to production and market support.

VALUE

A rare combination of speed to market, improved safety, higher productivity, greater predictability and unbeatable efficiency.

COMMITMENT

A comprehensive resource where the complex simplifies. Where peace of mind and mutual respect grow relationships. Where competitive advantage and machine performance improve—every time.



PROBLEM IDENTIFIED



E-Force is an Elite Engineering Team within GS Global Resources

Leading engineering minds. Solving problems.
Where fluid power and electronic control interact.

MEET E-FORCE: AN ELITE TEAM OF LEADING ENGINEERING MINDS

E-Force is an elite engineering team within GS Global Resources. They solve the most difficult mobile and industrial machine challenges, working alongside OEM engineering and sales teams. E-Force offers rare expertise gained from countless application assignments around the world.



SOLVING MACHINE DESIGN CHALLENGES

When it comes to OEM needs, GS Global Resources is a consistent leader in efficiency and innovation. We maintain a collaborative partnership with OEMs through each step of the design process to ensure products meet industry and company needs. Particularly in the case of consoles and seats, we keep operator needs front of mind with our comfortable and ergonomic solutions. Perhaps most importantly, all of our electronic control enhancements, including innovative CAN programming, are 100% tested to give OEMs a fully tested, plug and play final product.

ENGINEERED SOLUTIONS CONSOLES & SEATS

UNIQUE CUSTOM SOLUTIONS WITH SPEED TO MARKET

GS Global Resources sets the standard for efficiency and innovation. Our building block approach gives OEMs a customized design to fully meet their needs and achieve total machine performance.

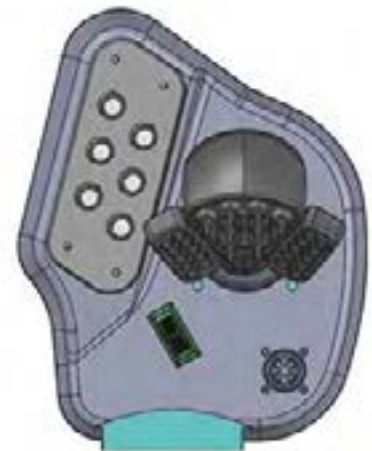


PARTNERS IN DEVELOPMENT

- Brainstorming with OEM on design concept and specifications
- Idea exploration with real-time drawing and development
- Receive OEM input throughout design process. From development and review, to production

INTERACTIVE MODELS

- 3D concept validation with OEM
- Cost analysis to support your bottom line and assess production feasibility
- Full tooling evaluation



CUSTOMIZED SYSTEM SOLUTIONS

- Private labeling to support your brand
- Scalable for OEM machine platforms
- Support an ergonomic work environment
- Focus on human factors and usability
- Production ready equipment
- Strong focus on safety

SEAMLESS JOYSTICK INTEGRATION

CUSTOM ARMREST PODS

- Metal structure with powder coating
- Choose from hydraulic or electric single/dual-axis control
- Customize your handle with tactile, haptic “thumper” handles, such as active feedback during winch payout
- Optimal crane control solutions
- Operator focused with ergonomic, comfortable feel and additional cup holder for convenience
- Direct mount to armrest for solid support solutions

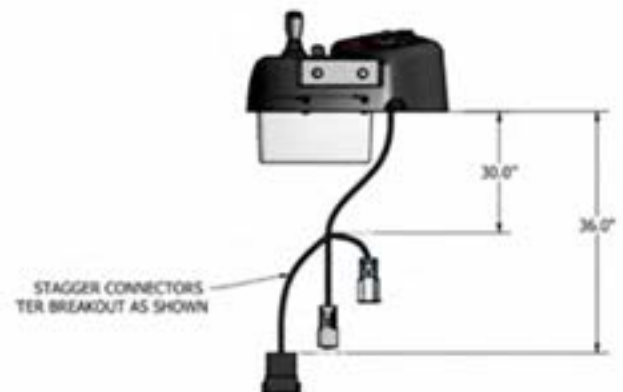


HEAVY DUTY ARMREST JOYSTICK POD

- Adjustable in 3 directions to accommodate any operator
- Customizable panel allows for scalable solutions for all OEM machines
- Whole POD configured to J1939, using only 4 wires for the whole assembly
- All assemblies are 100% tested to machine function, allowing for a “plug-and-play” end product

WIRED TO MEET SPECIFIC MACHINE NEEDS

- Analog, digital or CAN/J1939 for easy-to-implement solutions
- 100% tested systems, to guarantee performance in OEM machine interfaces
- Harness solutions perfect for rugged environments
- Full traceability of electrical products and build meets the most stringent quality programs



CUSTOMIZED TO MEET OPERATOR NEEDS

Armrest pods are developed to customer specifications and for their industry applications. The combination of our custom metal support and vacuum formed cover create a durable and polished finished product.

DESIGN GOALS

- Armrests are modified to allow OEMs to utilize different styles of joystick bases and handles
- Bases can be made to fit many different styles, allowing scaling for different machine solutions
- CAN programming is 100% tested to ensure seamless machine install

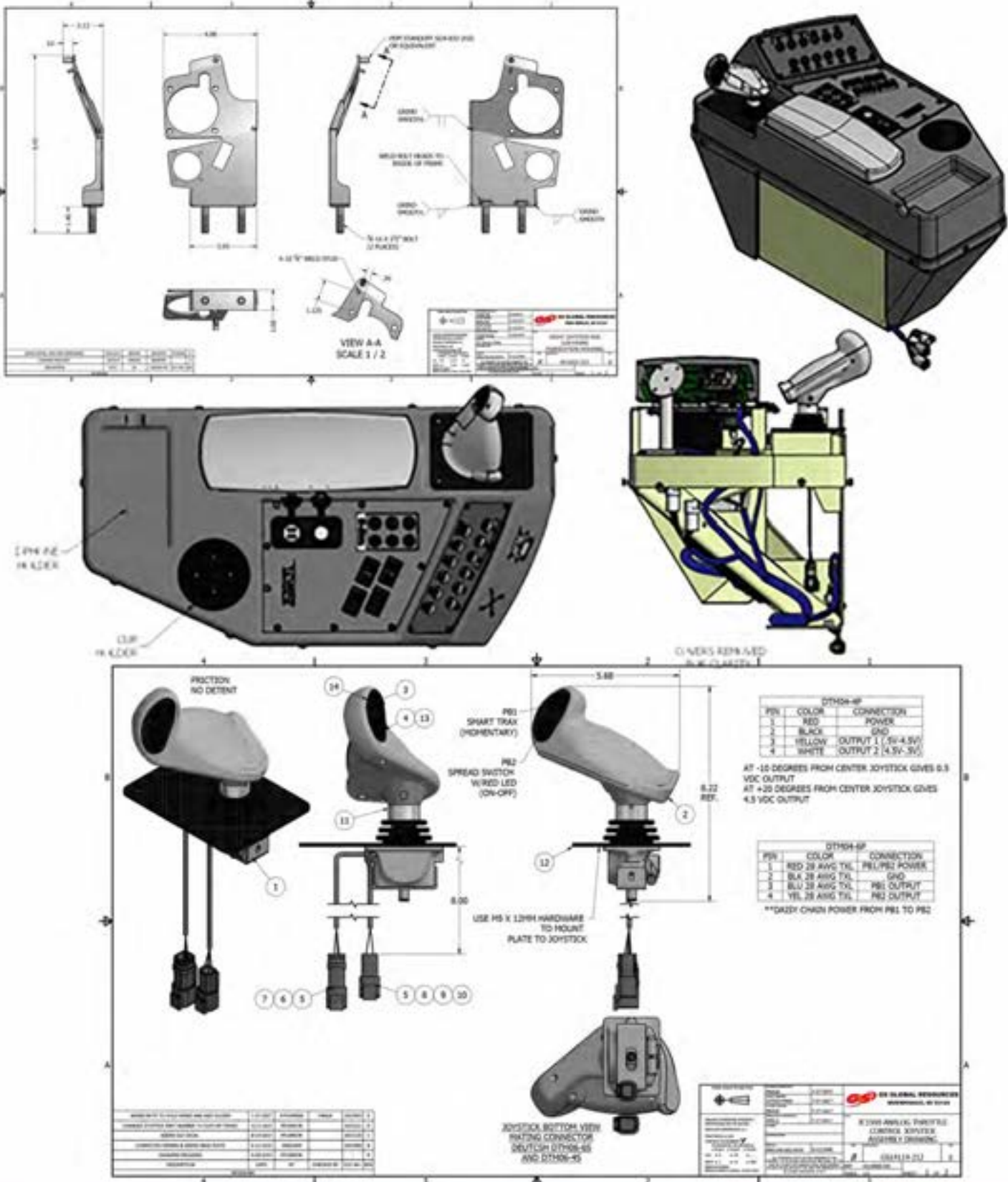


SCALABLE ARMRESTS FOR DIFFERENT MACHINES

- Panel-inserts - designed to be interchangeable by machine
- Integrated joystick, optional joysticks and handle solutions per machine
- Armrest pod support with storage for manuals or other essentials
- Metal support for vibration and shock loading



MECHANICAL DESIGN FOR SPECIFIC OEM NEEDS



ENGINEERED SOLUTIONS CONSOLES & SEATS

CUSTOM ARMREST CONSOLES

Giving operators a vehicle that is ergonomic with efficient drive-ability is a top priority for OEMs. GS Global Resources cab mounted control panels work with rear-view cameras, giving the operator a central control station, no longer having to exit the cab.

ELECTRONIC CONTROL ENHANCEMENTS

- Vehicle connectivity
- Safer operating conditions
- Operator interface
- Configurable steering modes
- Remote monitoring and troubleshooting
- Custom harnesses
- Ergonomics



CREATE A CENTRAL CONTROL STATION

- Configurable visual indicators
- Master Control Module (MCM)
- Full graphical diagnostic CAN gateway
- Controllers to run advanced control, diagnostic as well as integrated fleet management applications

INCORPORATING SWITCH PANELS

- Scalable, configurable dashboards
- Easily integrates with existing control systems
- Incorporates CAN programmability & flexibility



FROM CONSOLES, TO FULL SEAT ASSEMBLIES



CONSOLES SCALABLE BY MACHINE DESIGN

- Air ride seats designed with full functionality and rotation
- Dual slide control give operator independent arm and seat adjustment
- Custom flexible joysticks at ergonomic positions for operator comfort and efficiency
- Interchangeable operator station plate allows for flexible machine solutions

OEM SELECTED SEAT MEETS THEIR NEEDS AND PRIORITIES

- Mechanical or air ride suspension
- Heated or cooled
- Manual or electric rotation
- Custom material and armrest options for a specific environment and look
- Private labeled with OEM logo to support your brand



ENGINEERED SOLUTIONS CONSOLES & SEATS

PERFORMANCE IN DESIGN AND ENGINEERING

- Our integrated application solutions perform for the life of the machine, and for the lives of the people who touch it.
- At GS Global Resources, the leading engineering minds in hydraulic, electronic, mechanical and software applications simplify the complex. GS is essential for OEMs to achieve total machine performance.
- We use innovative, reliable technologies to speed solutions to market, whether our clients are reacting to market forces or changing markets altogether.



CUSTOM DESIGNS WITH PRAGMATIC SOLUTIONS

- Our veteran engineering staff creates unique, application specific solutions for the OEM by using proven products in a new platform.
- Development of armrests are critically assessed for its human machine interface, both for the operator and the machine space.
- Custom armrests of steel and robust plastic can be formed to OEM needs. However, GS Global Resources has many variations already designed, getting required products to OEMs quickly.
- Scalable solutions can be developed for everything from base custom machines to full blown optioned machines.
- Your product needs are complex. We get that. Our diverse, functional team of electrical, mechanical, and hydraulics engineers allow OEMs to have full technical support at all times.



VALUE AND SOLUTIONS

- In the end, an armrest and control solution must meet the cost and distinct purpose of the OEM. Still, the design must simultaneously increase OEM productivity and market position. We keep those factors front of mind during each phase of development, ensuring a cost-efficient and fully functional end product.

YOUR PARTNER AT EVERY STEP



COLLABORATIVE DESIGN PROCESS

No one knows your needs better than you. That's why we work with you during each step of the process, from design to production. Our experienced, diverse team of engineers, in conjunction with a customer focused account manager, listen to your specific needs and design a solution tailored to your industry and desired outcome.



ABOUT GS GLOBAL RESOURCES

GS Global Resources is the foremost machine performance resource. We are trusted by the world's most recognizable OEMs who demand a competitive advantage from every solution. Our integrated application solutions perform for the life of the machine, and for the lives of the people who touch it.

From system and component design to production and market support, GS Global Resources helps OEMs interpret, adapt, and adopt technology.

Our leading engineering minds in hydraulic, electronic, mechanical and software applications simplify the complex. We use innovative & reliable technologies to speed solutions to market. Whether reacting to market forces or changing markets altogether, GS Global Resources is essential to achieving total machine performance.



**CONTACT US TO
FIND OUT HOW
EACH ASPECT OF
YOUR CAB CAN BE
CUSTOMIZED FOR
YOUR TARGET
CUSTOMER**

CONTACT

Please visit GSGlobalResources.com or contact us directly for more information. Our dedicated team of long term, invested employees look forward to working with you.

926 Perkins Drive
Mukwonago, WI 53149

1 262 378 5200 Main Phone
1-262-378-5400 Main Fax
1-800-261-8/35 Toll Free
sales@gsgr.com E Mail Us

AFFILIATIONS

ADC Equipment Innovations
7102 Zinser Street
Weston, WI 54476

1 920 975 1200 Main Phone
1-715-355-4440 Main Fax
<http://adcequipmentinnovations.com/>
sales@adcequipment.com E-Mail Us



GS Global Resources • 1-800-261-8735 • GSGlobalResources.com

926 Perkins Drive, Mukwonago WI 53149

© Copyright 2018 GS Global Resources, Inc. All Rights Reserved.