



# CUSTOMIZABLE ARMRESTS & CONSOLES

*Different Controls  
Consistent Solutions*



## YOUR TRUSTED RESOURCE

GS Global Resources is trusted by OEMs who demand a competitive advantage for every solution. From system and component design to production and market support, we help OEMs interpret, adapt, and adopt technology. Solving OEM challenges at the intersection of fluid power and electronic control, our customers profit from our continuous technology and innovation transfer.

### PERFORMANCE

Access to the foremost machine performance resource trusted by OEMs ensuring a competitive advantage from every solution.

### PROFITABILITY

Continuous technology and innovation transfer through a single point of accountability provides OEMs unmatched value.

### PRAGMATIC

Problem solvers, renowned by our customers, we relentlessly pursue and develop fresh ideas to benefit OEMs.

### TALENT

Rare technical talent, scalability, and flexibility, coupled with incomparable ability to understand and overcome OEM challenges.

### CONFIDENCE

Support to help OEMs best integrate and utilize technology from system and component design to production and market support.

### VALUE

A rare combination of speed to market, improved safety, higher productivity, greater predictability and unbeatable efficiency.

### COMMITMENT

A comprehensive resource where the complex simplifies. Where peace of mind and mutual respect grow relationships. Where competitive advantage and machine performance improve—every time.





# INTENTIONAL CONTROL CHOICES

## To Meet OEM Needs

OEMs have countless factors to consider when determining the optimal control design for their machines. Each detail has multiple ramifications on the overall cost, functional capability, and size of the final solution. Take a look at the console pictured below. Two different versions of the same solution have been created, one electronic and one pneumatic. Both versions support the same machine functionality, just using different controls. to both versions.

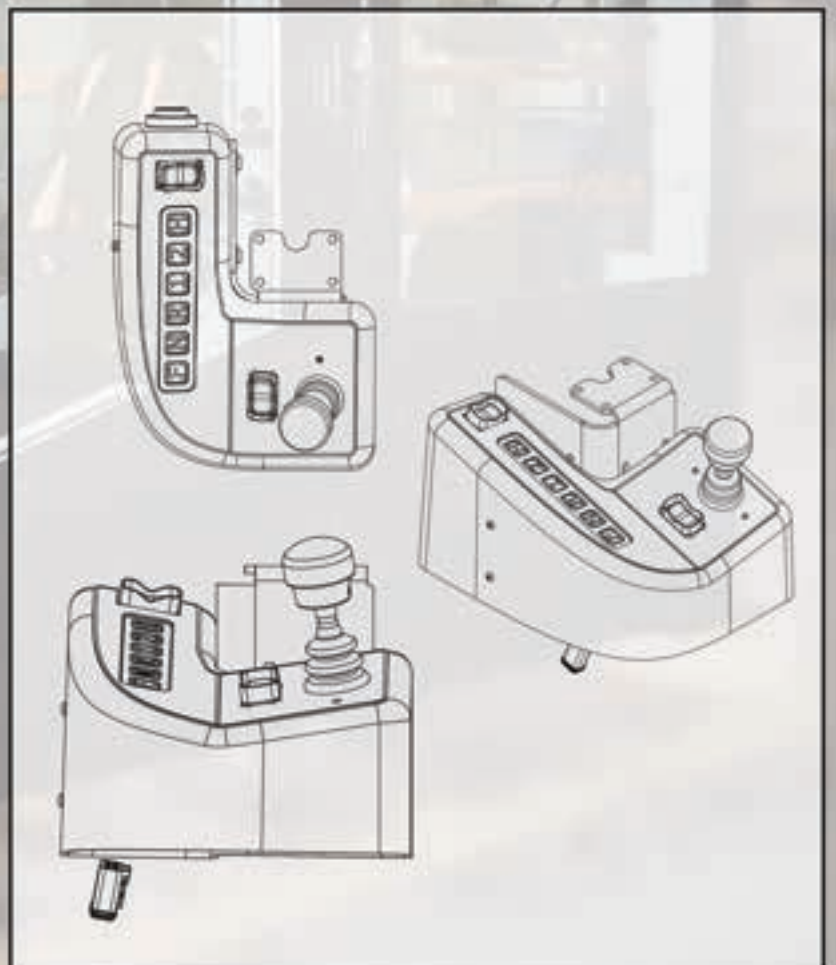
With all of the decisions and priorities that OEM have to balance for their machines, it can be incredibly beneficial to have multiple versions that align with the overall branding and look of your machine line, while offering different price points and levels of functionality. At GS Global Resources, we've created a wide variety of customizable armrests and consoles for a range of different industries. Our experienced engineering team will work with you to give you and your customers options and create the perfect solution for your machine.



# SIMPLIFY THE COMPLEX

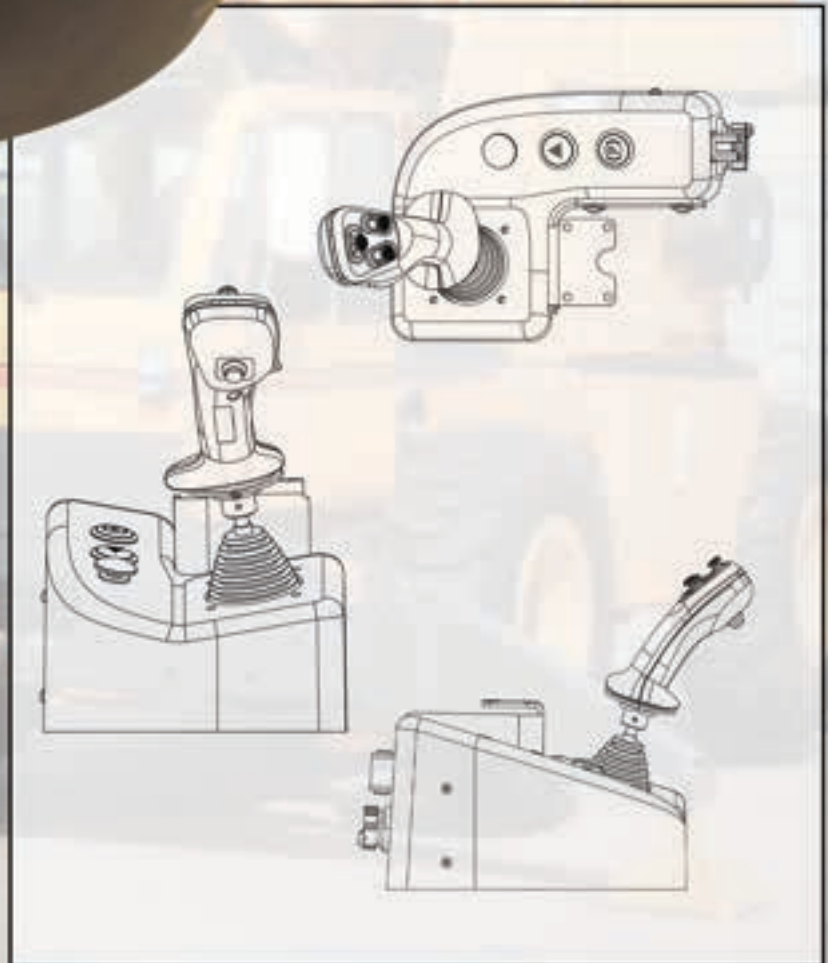
Optimizing Operator Experience

1	Main Joystick
2	Parking Brake
3	6 Button Gear Switch Panel
4	Rocker Switch for Auxillary Functions



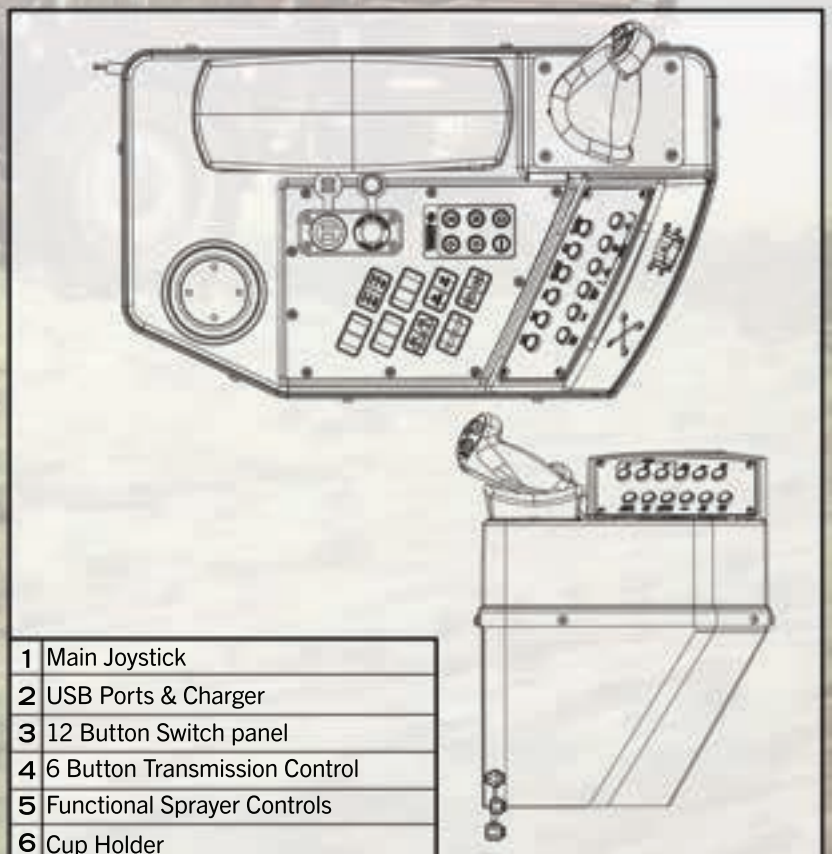
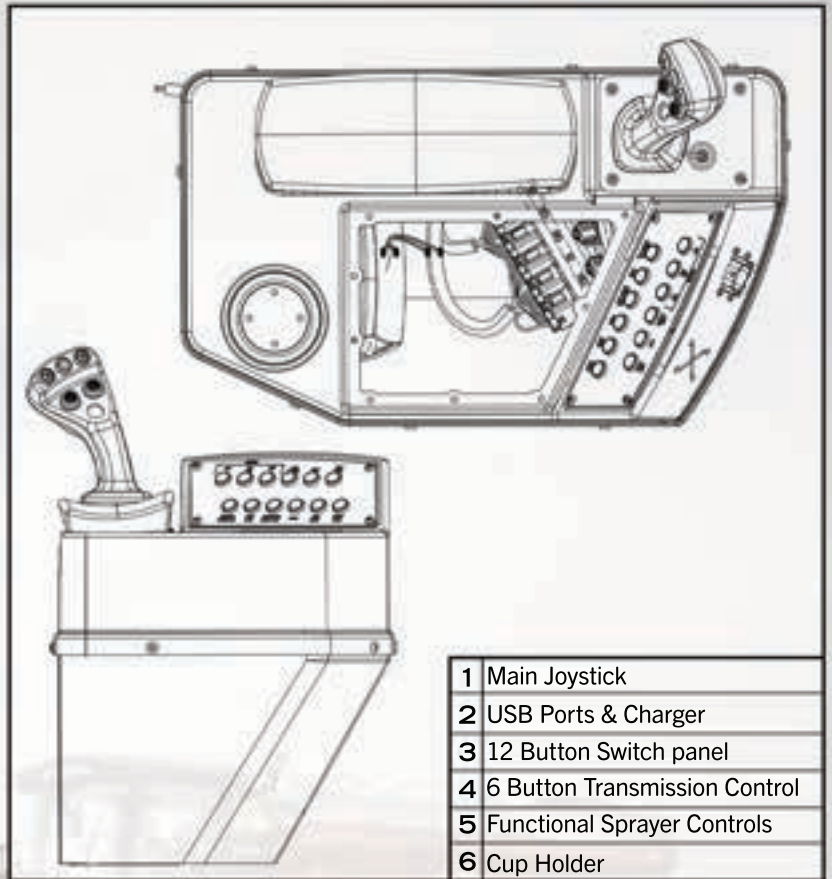


1	Main Joystick
2	Parking Brake
3	Hazard Lights
4	Machine Stop





# Complete Armrest





# CREATED FOR COMFORT

Optimal Ergonomics in Every Aspect

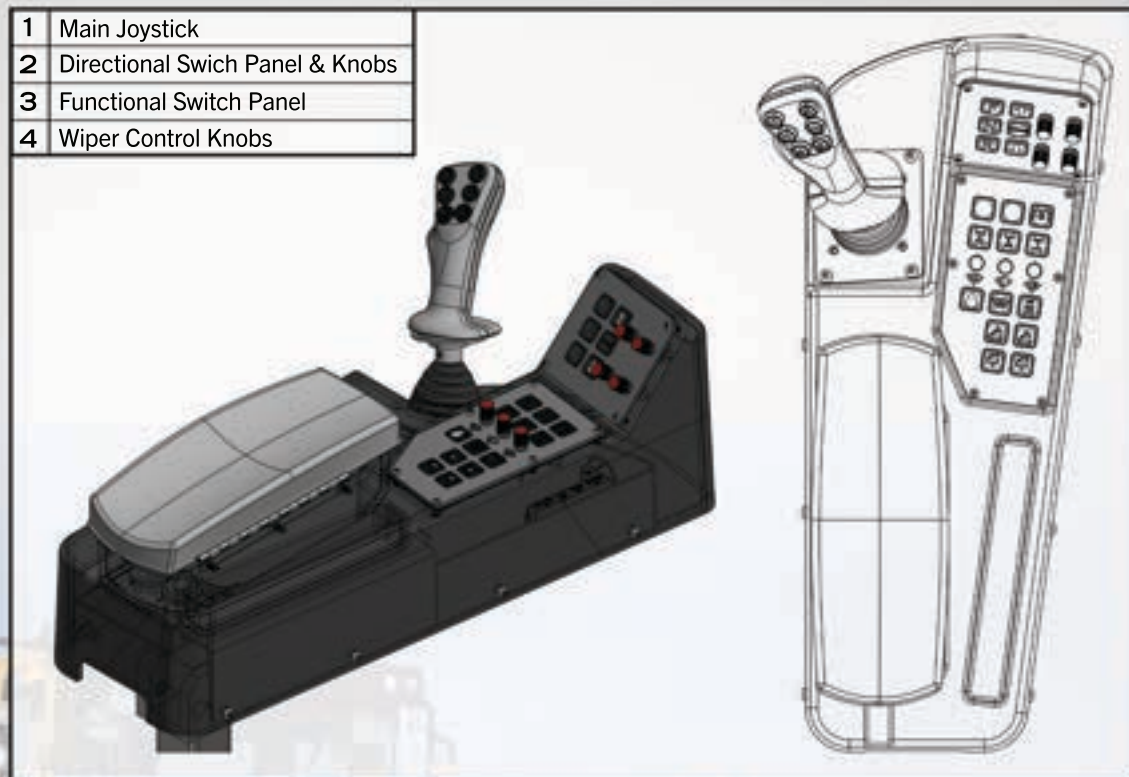
1	Special Single Axis Joystick
2	Proportional Fingertip Joysticks
3	CAN Rocker Switches
4	USB Ports & Charger
5	Cup Holder
6	Speaker





# TOTAL MACHINE CONTROL

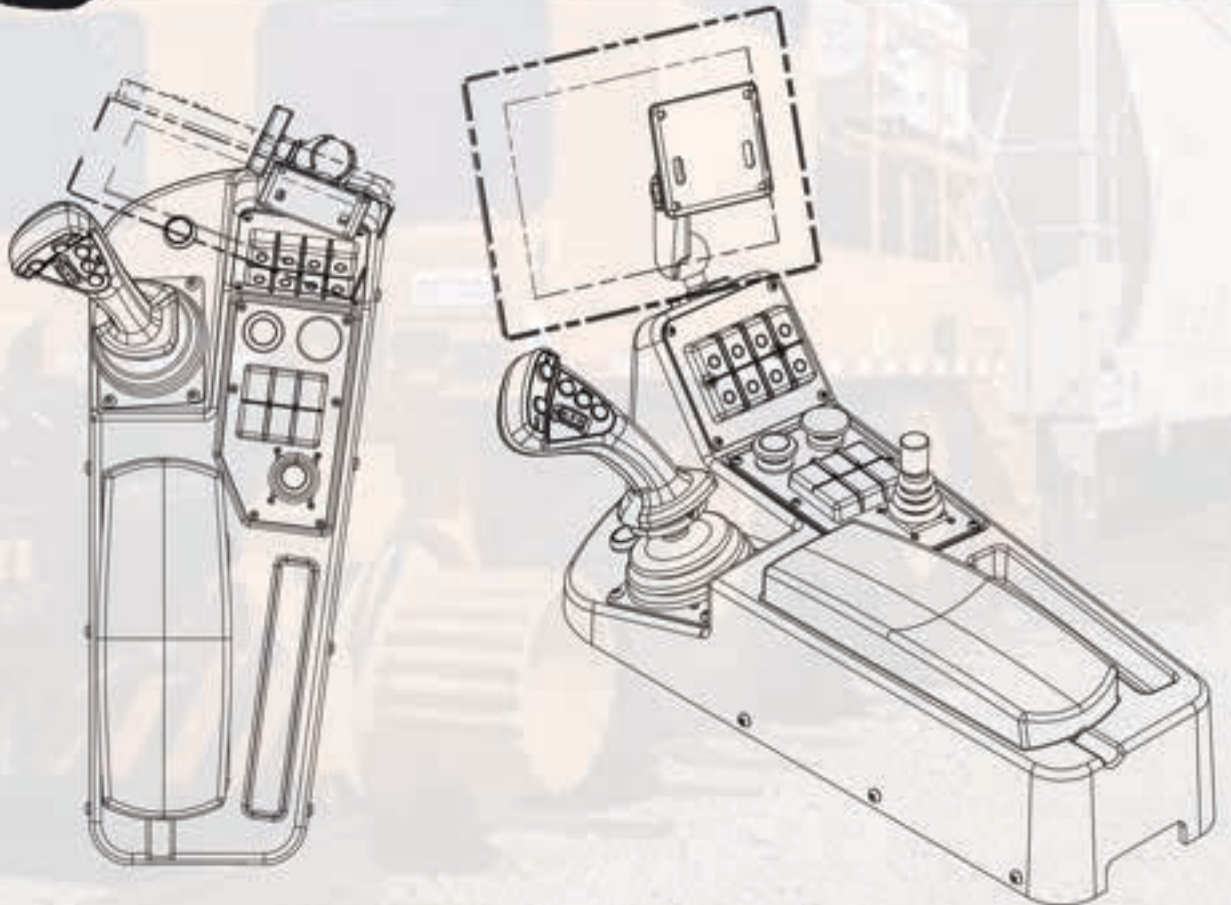
Unmatched Functionality for Operators





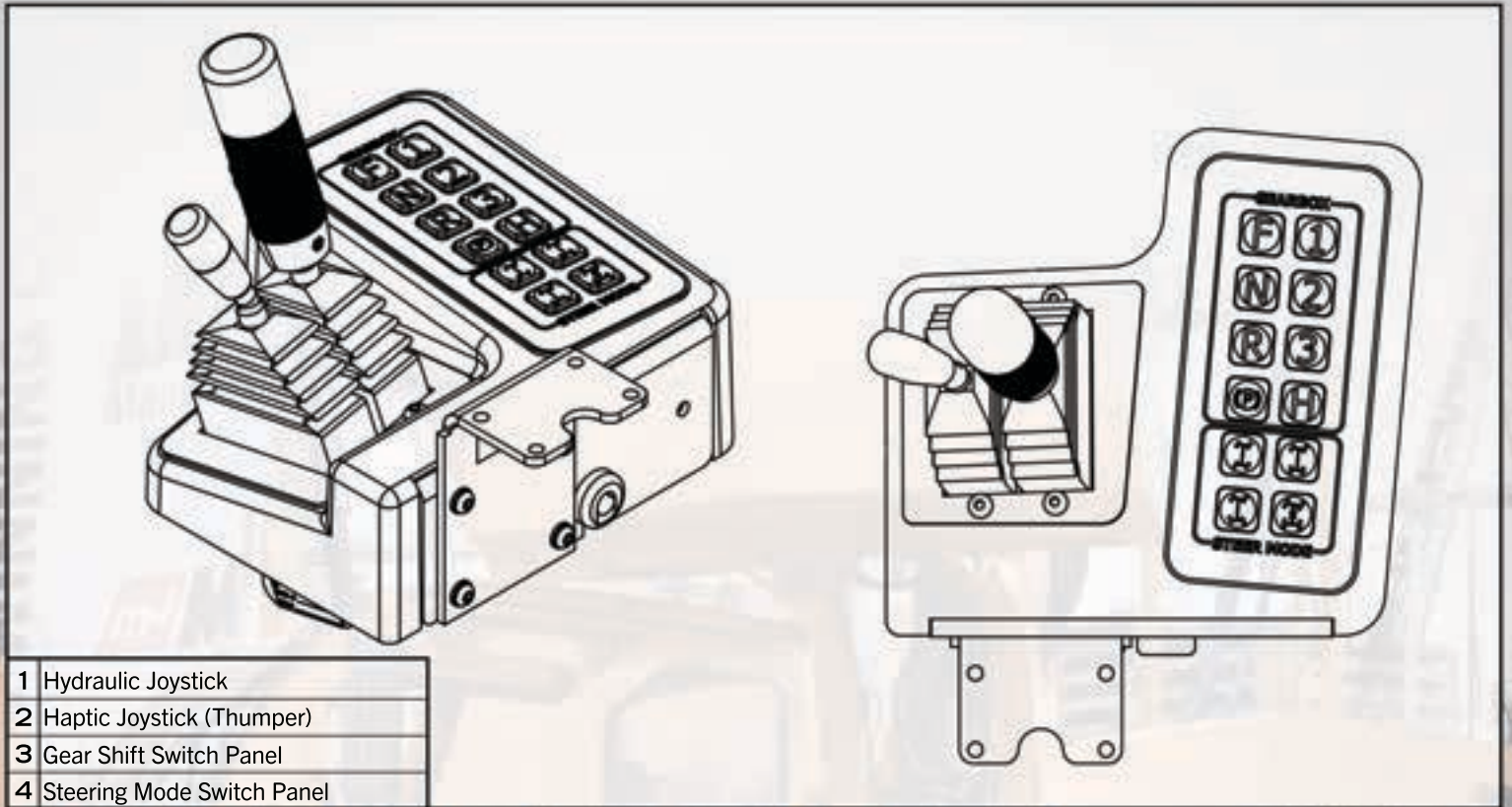
# Complete Armrest

1	Main Joystick
2	8 Button Functional Switch Panel
3	12 Inch Display
4	Functional Fingertip Joystick
5	6 Button Functional Switch Panel
6	Parking Brake
7	Emergency Stop





# Arm Pod

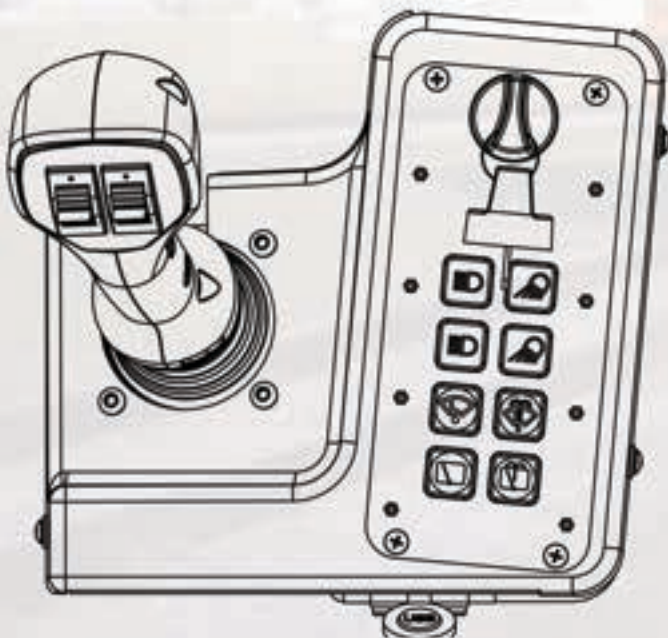
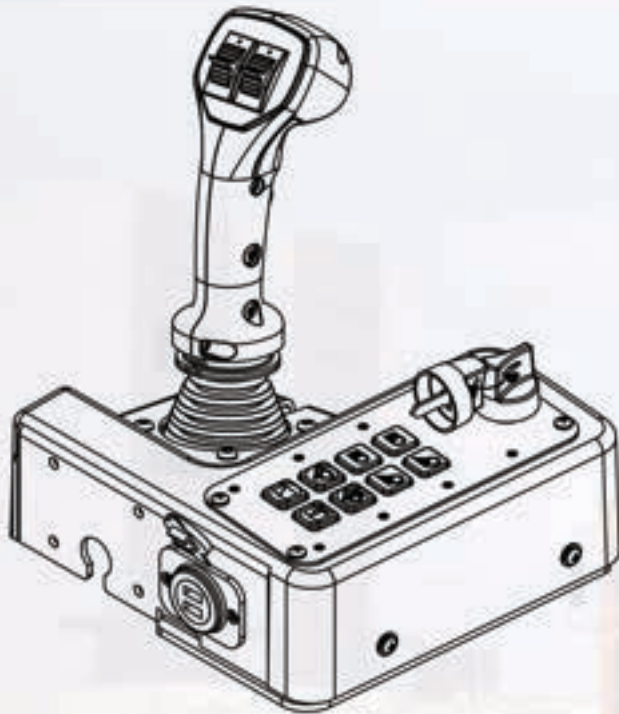




# COMPLETELY CUSTOMIZABLE

Controls Best Suited for Your Application

- |   |                         |
|---|-------------------------|
| 1 | Main Joystick           |
| 2 | Wiper & Light Controls  |
| 3 | Ignition Key            |
| 4 | Primary Control Display |
| 5 | Camera System           |
| 6 | Dual USB Port           |





## ABOUT GS GLOBAL RESOURCES

GS Global Resources is the foremost machine performance resource. We are trusted by the world's most recognizable OEMs who demand a competitive advantage from every solution. Our integrated application solutions perform for the life of the machine, and for the lives of the people who touch it.

From system and component design to production and market support, GS Global Resources helps OEMs interpret, adapt, and adopt technology.

Our leading engineering minds in hydraulic, electronic, mechanical and software applications simplify the complex. We use innovative & reliable technologies to speed solutions to market. Whether reacting to market forces or changing markets altogether, GS Global Resources is essential to achieving total machine performance.

## CONTACT

Please visit [GSGlobalResources.com](http://GSGlobalResources.com) or contact us directly for more information. Our dedicated team of long-term, invested employees look forward to working with you.

926 Perkins Drive  
Mukwonago, WI 53149

1-262-378-5200 Main Phone  
1-262-378-5400 Main Fax  
1-800-261-8735 Toll Free  
[sales@gmgr.com](mailto:sales@gmgr.com) E-Mail Us

## AFFILIATIONS

ADC Equipment Innovations  
7102 Zinser Street  
Weston, WI 54476

1-920-975-1200 Main Phone  
1-715-355-4440 Main Fax  
[http://adcequipmentinnovations.com/  
sales@adcequipment.com](http://adcequipmentinnovations.com/sales@adcequipment.com) E-Mail Us



GS Global Resources • 1-800-261-8735 • [GSGlobalResources.com](http://GSGlobalResources.com)

926 Perkins Drive, Mukwonago WI 53149

© Copyright 2021 GS Global Resources, Inc. All Rights Reserved.