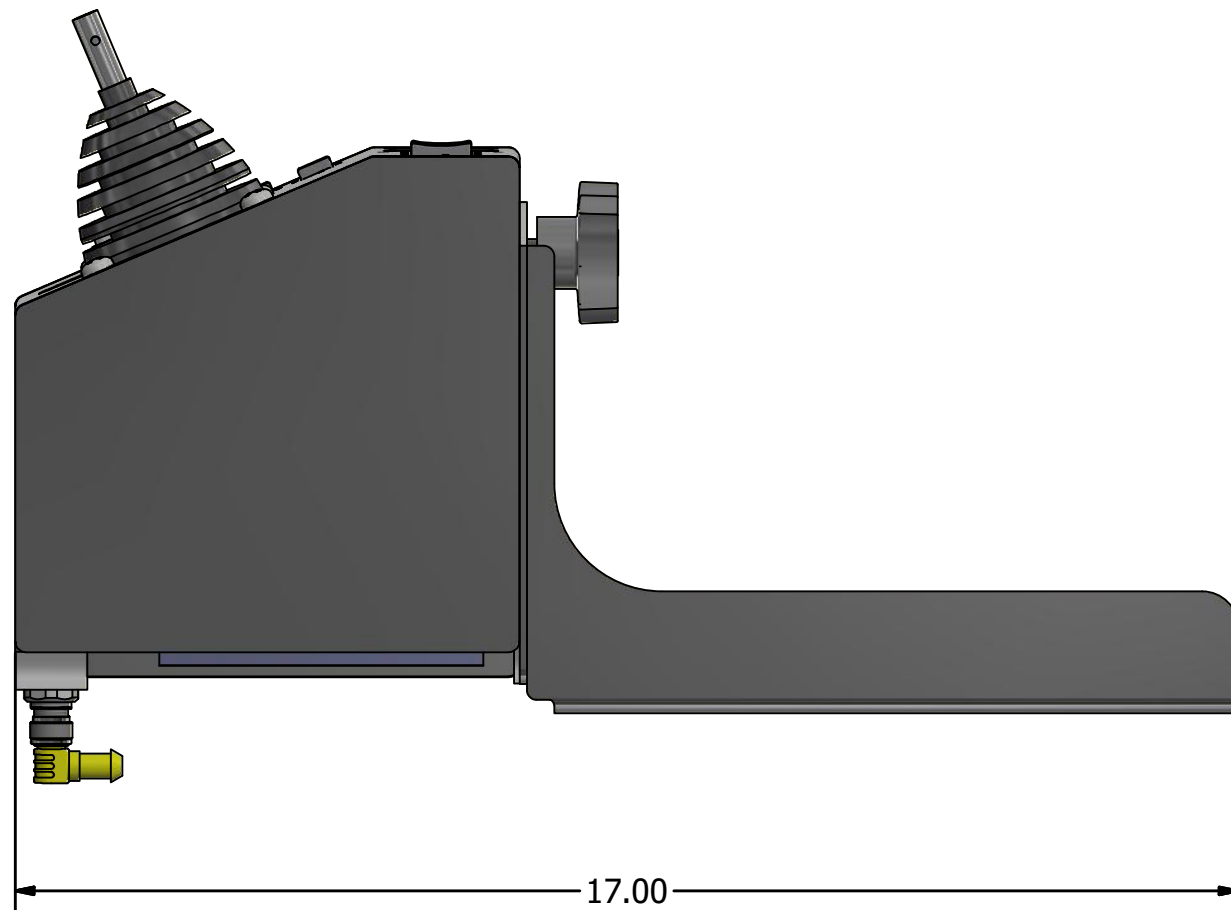
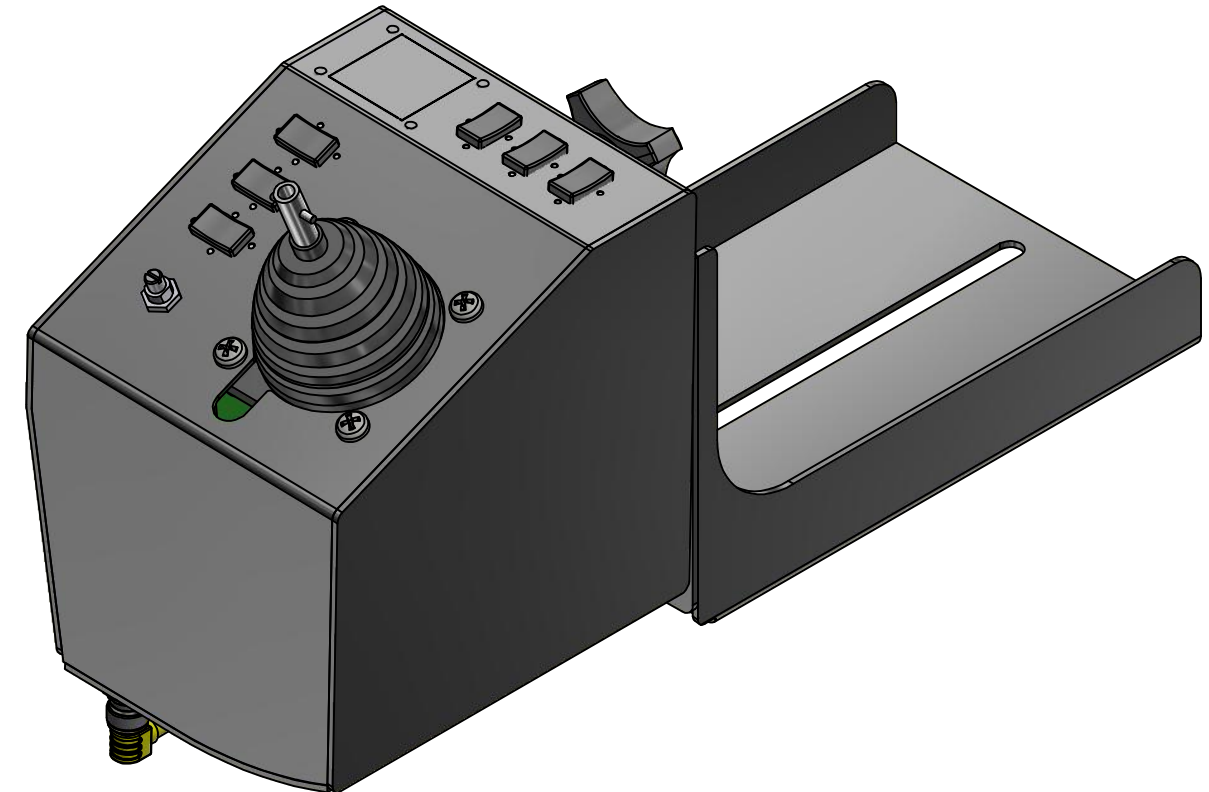




- RIGHT HAND ARMREST POD WITH THREE AXIS OF ADJUSTMENT -FWD/BACK, UP/DOWN, LEFT/RIGHT
- DUAL AXIS CAN J1939 JOYSTICK BASE WITH NO HANDLE SHOWN - HANDLE TO OEM NEED
- SIX LIGHTED MOMENTARY PUSH BUTTONS
- ROTARY ENCODER FOR SPEED CONTROL
- WHOLE POD CAN J1939 -4 WIRE CONNECTION



UNLESS OTHERWISE SPECIFIED DIMENSIONS ARE IN INCHES			ORIGINATED BY: KJOHNSON	 GLOBAL RESOURCES MUKWONAGO, WI 53149
WIRE LENGTH TOLERANCES SPEC= IPC/WHMA-A-620B			ORIGINATION DATE: 7-23-2019	
≤ 1ft	+1in -0in	 THIRD ANGLE PROJECTION	PROJECT ENGINEER:	DRAWING TITLE: RIGHT HAND ARMREST POD WITH THREE AXIS OF ADJUSTMENT
> 1ft-5ft	+2in -0in		ACCOUNT MANAGER:	MATERIAL:
> 5ft-10ft	+4in -0in		MATERIAL:	COATING/PLATING:
> 10ft-25ft	+6in -0in		CUSTOMER PART NUMBER:	ALL TECHNICAL DATA ON THIS DRAWING IS THE PROPERTY OF GS GLOBAL RESOURCES INC. AND SHALL NOT BE USED BY OTHERS FOR MANUFACTURE, PROCUREMENT, OR DISCLOSURE WITHOUT THE WRITTEN PERMISSION OF GS GLOBAL RESOURCES INC.
> 25ft	+5% -0%		PERMISSION OF: GS GLOBAL RESOURCES INC.	SHT SIZE: DRAWING NUMBER: B GS19090-023 A SCALE: 3:8 SHEET INFO: 1 OF 1
FRACTIONS ± 1/16in ± 1.59mm TOLERANCES ON DECIMALS: 1 PLACE 2 PLACE 3 PLACE in ±.030 ±.010 ±.005 mm ±.76 ±.25 ±.13 ANGULAR DIMENSIONS ± 1 DEG REMOVE BURRS BREAK EDGES 0.01in 0.25mm MAX MAX SURFACE ROUGHNESS 12.5				

TITLE BLOCK REVISION DATE: 10-9-2018