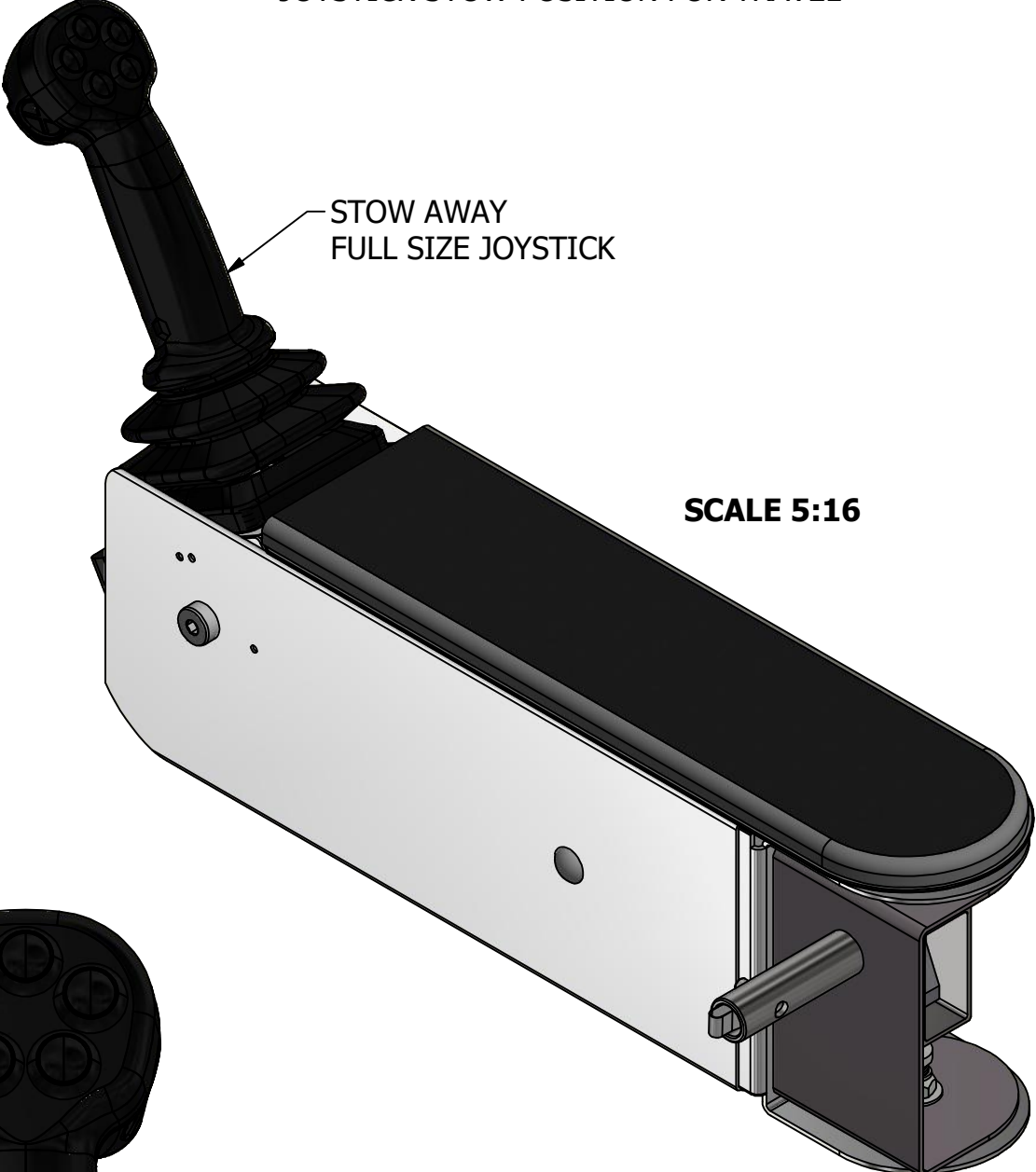
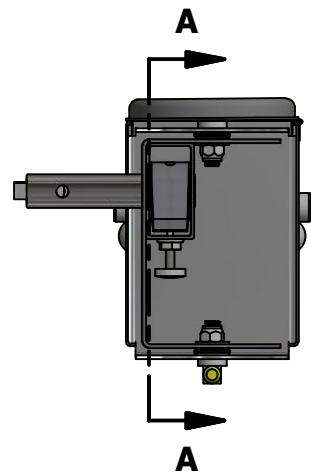
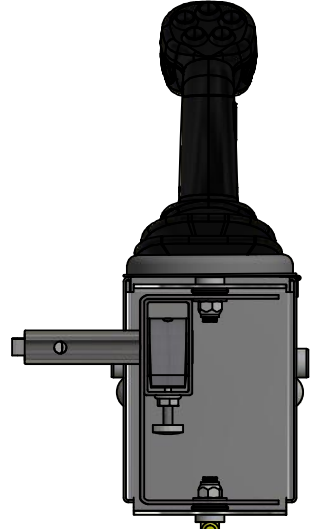
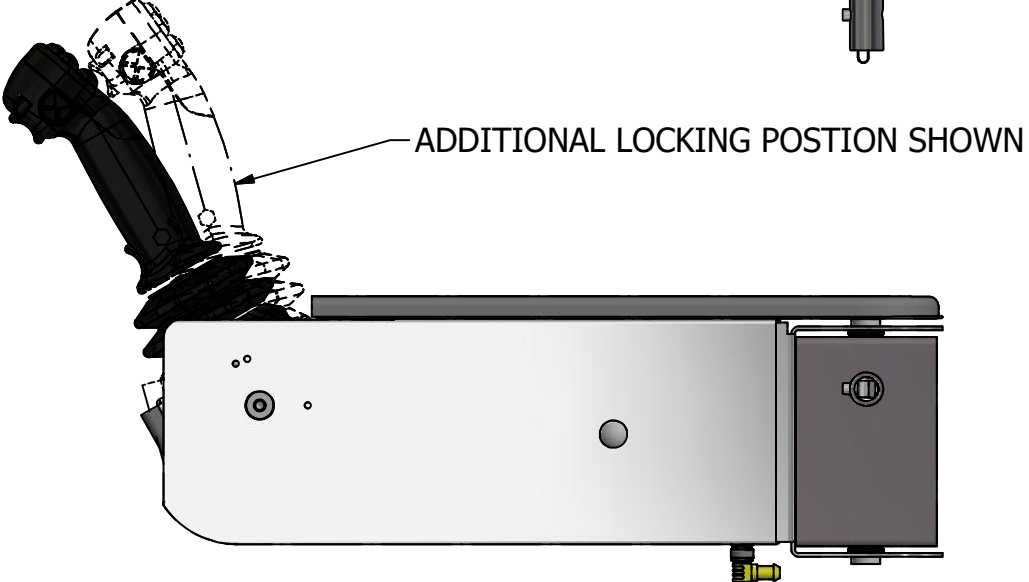
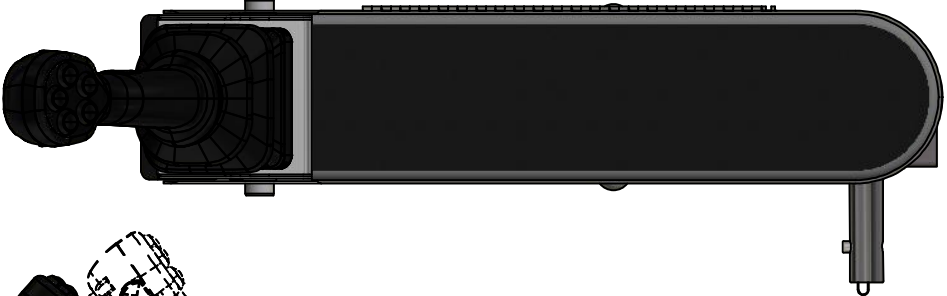
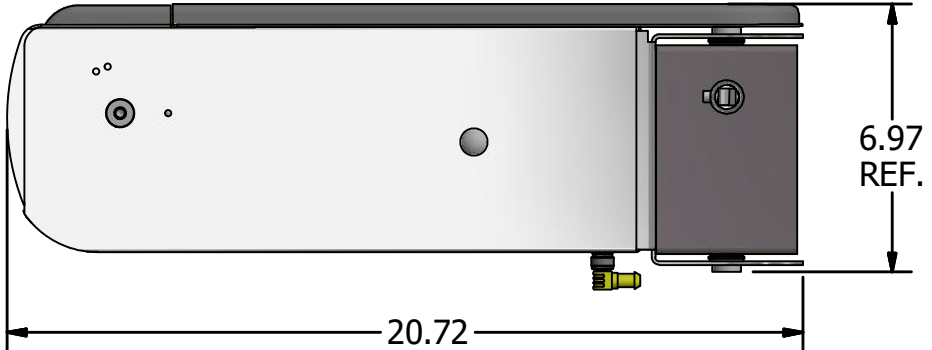


- RIGHT ARMREST ASSEMBLY - REPLACING SEAT ARMREST
- DUAL AXIS CAN J1939 JOYSTICK
- CUSTOM HANDLE WITH CAPACITIVE OPERATOR PRESENCE
- LIMIT SWITCH - FOR JOYSTICK POSITION
- SPECIAL JOYSTICK SIDE BUTTONS
- JOYSTICK STOW POSITION FOR TRAVEL

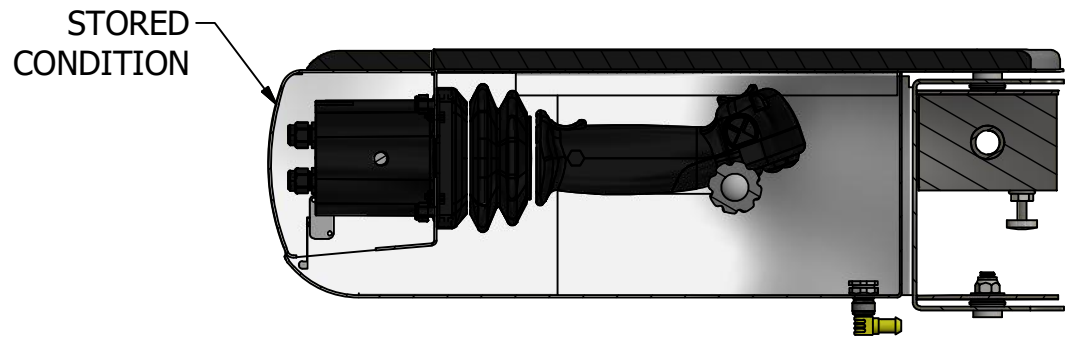


DETAIL OF JOYSTICK CONTROLS
SCALE 3:5



SECTION A-A
SCALE 1:5

NOTE:
JOYSTICK CAN BE SWIVELED SO THAT IT CAN BE STORED INSIDE THE ARMREST WHILE NOT IN USE



UNLESS OTHERWISE SPECIFIED DIMENSIONS ARE IN INCHES			ORIGINATED BY: KJOHNSON	<p>GLOBAL RESOURCES MUKWONAGO, WI 53149</p>
WIRE LENGTH TOLERANCES SPEC = IPC/WHMA-A-620B			ORIGINATION DATE: 7-19-2019	
≤ 1ft	+1in -0in	THIRD ANGLE PROJECTION	PROJECT ENGINEER:	DRAWING TITLE: ARMREST WITH FULL SIZE JOYSTICK WHICH HAS STOW AWAY FEATURE
> 1ft-5ft	+2in -0in		ACCOUNT MANAGER:	SHEET SIZE: B
> 5ft-10ft	+4in -0in		MATERIAL:	DRAWING NUMBER: GS19090-020
> 10ft-25ft	+6in -0in		COATING/PLATING:	REV: A
> 25ft	+5% -0%		CUSTOMER PART NUMBER:	SCALE: 1:5
FRACTIONS ± 1/16in ± 1.59mm			ALL TECHNICAL DATA ON THIS DRAWING IS THE PROPERTY OF GS GLOBAL RESOURCES INC. AND SHALL NOT BE USED BY OTHERS FOR MANUFACTURE, PROCUREMENT, OR DISCLOSURE WITHOUT THE WRITTEN PERMISSION OF GS GLOBAL RESOURCES INC.	
- TOLERANCES ON DECIMALS:			SHEET INFO: 1 OF 1	
1 PLACE	2 PLACE	3 PLACE		
in ± .030	± .010	± .005		
mm ± .76	± .25	± .13		
- ANGULAR DIMENSIONS ± 1 DEG				
- REMOVE BURRS				
- BREAK EDGES 0.01in 0.25mm MAX				
- MAX SURFACE ROUGHNESS 12.5				

TITLE BLOCK REVISION DATE: 10-9-2018