

4

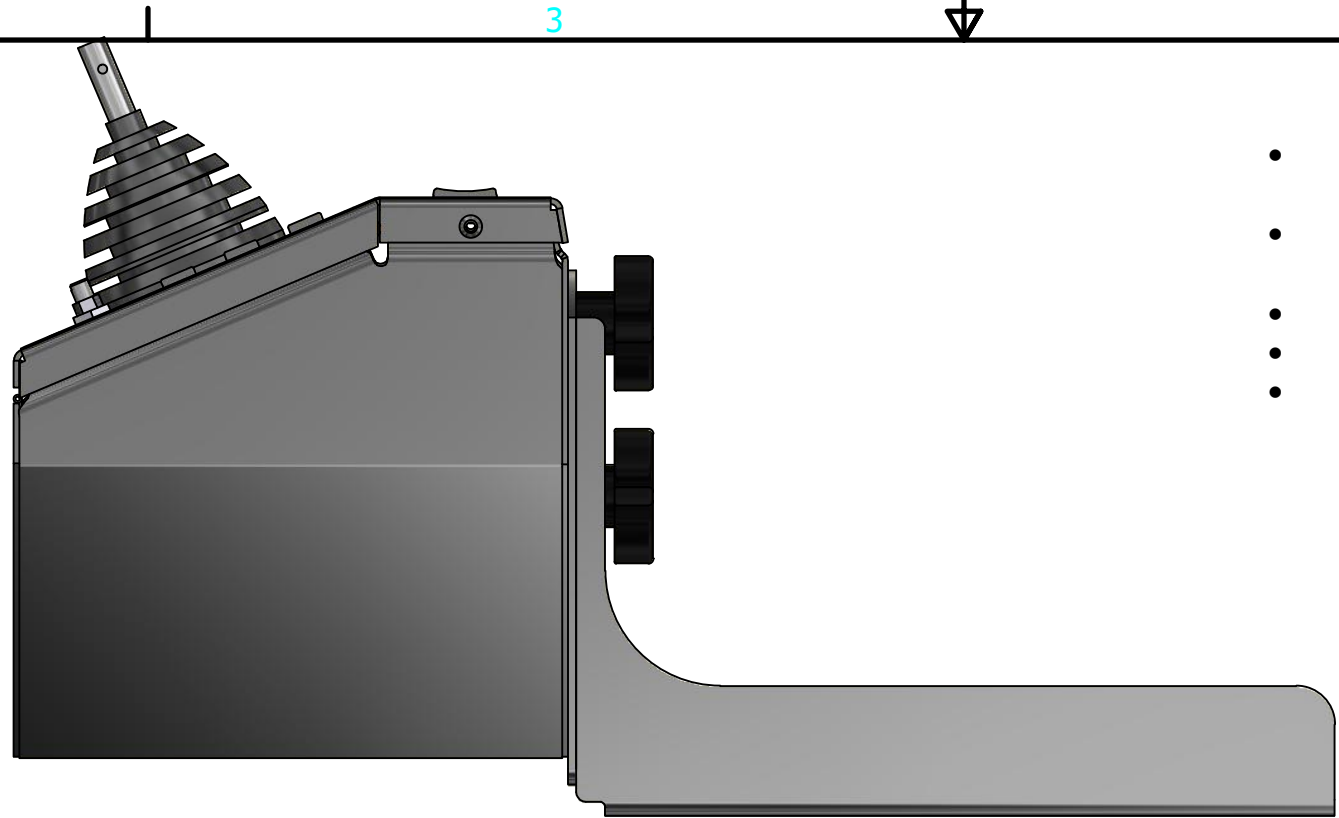
3

2

1

B

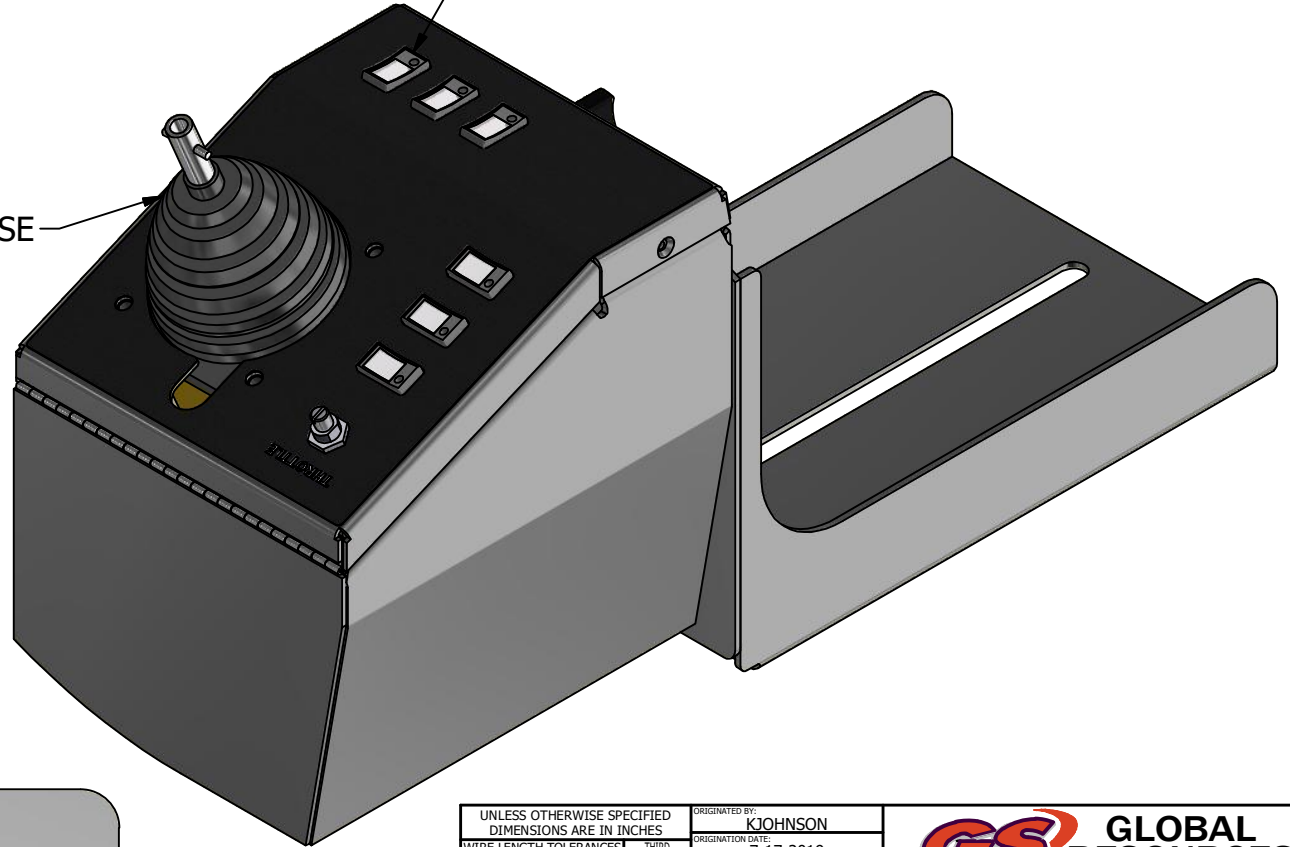
B



- LEFT HAND ARMREST POD WITH THREE AXIS OF ADJUSTMENT
-FWD/BACK, UP/DOWN, LEFT/RIGHT
- DUAL AXIS CAN J1939 JOYSTICK BASE WITH NO HANDLE SHOWN
- HANDLE TO OEM NEED
- SIX LIGHTED MOMENTARY PUSH BUTTONS
- ROTARY ENCODER FOR SPEED CONTROL
- WHOLE POD CAN J1939 -4 WIRE CONNECTION

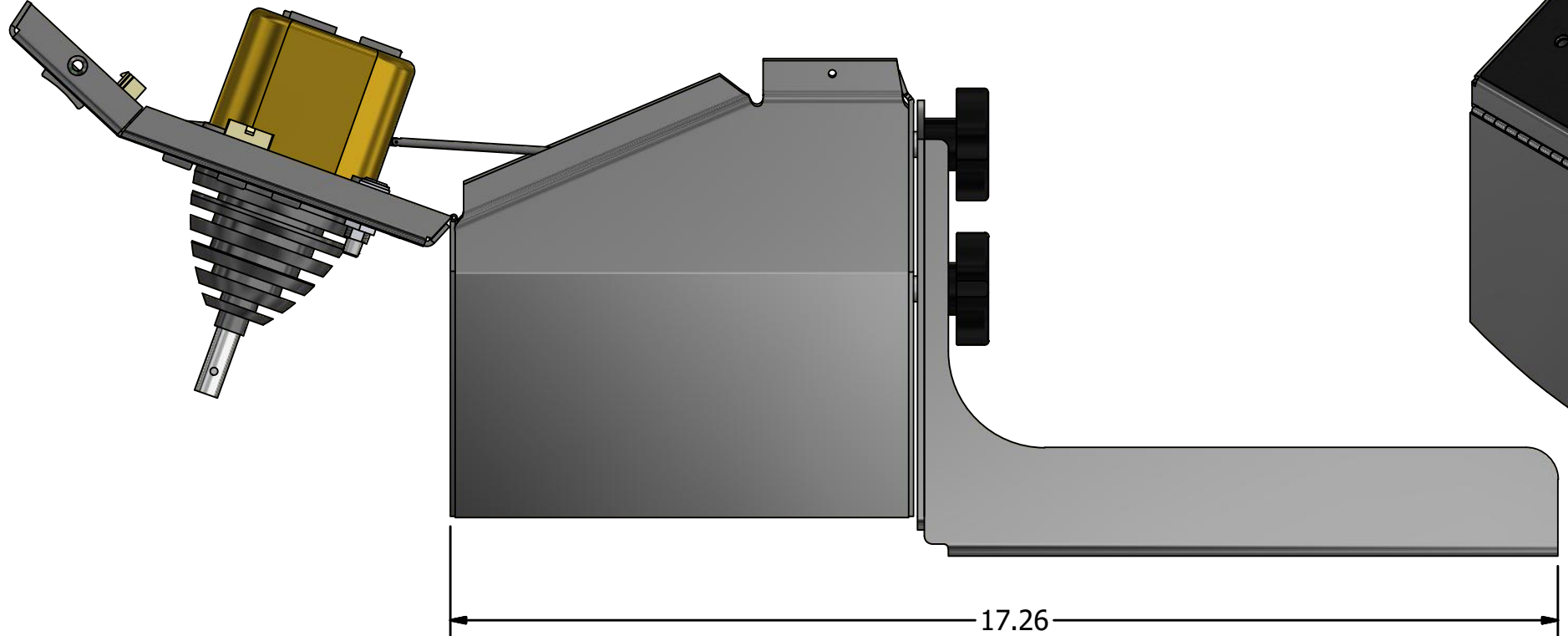
3 POSITION SWITCH

FULL SIZE JOYSTICK BASE



A

A



17.26

4

3


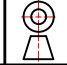
4

2

1

A

A

UNLESS OTHERWISE SPECIFIED DIMENSIONS ARE IN INCHES			ORIGINATED BY: KJOHNSON	 GLOBAL RESOURCES MUKWONAGO, WI 53149
WIRE LENGTH TOLERANCES SPEC = IPC/WHMA-A-620B			ORIGINATION DATE: 7-17-2019	
≤ 1ft	+1in -0in	THIRD ANGLE PROJECTION	PROJECT ENGINEER:	DRAWING TITLE: LEFT HAND ARMREST POD WITH THREE AXIS OF ADJUSTMENT
> 1ft-5ft	+2in -0in		ACCOUNT MANAGER:	SHEET SIZE: B
> 5ft-10ft	+4in -0in		MATERIAL:	DRAWING NUMBER: GS19090-019
> 10ft-25ft	+6in -0in		COATING/PLATING:	REV: A
> 25ft	+5% -0%		CUSTOMER PART NUMBER:	SHEET INFO: 1 OF 1
- FRACTIONS ± 1/16in ± 1.59mm			ALL TECHNICAL DATA ON THIS DRAWING IS THE PROPERTY OF GS GLOBAL RESOURCES INC. AND SHALL NOT BE USED BY OTHERS FOR MANUFACTURE, PROCUREMENT, OR DISCLOSURE WITHOUT THE WRITTEN PERMISSION OF GS GLOBAL RESOURCES INC.	
- TOLERANCES ON DECIMALS:			SCALE: 2:5	
1 PLACE	2 PLACE	3 PLACE	TITILE BLOCK REVISION DATE: 10-9-2018	
in ± .030	± .010	± .005		
mm ± .76	± .25	± .13		
- ANGULAR DIMENSIONS ± 1 DEG				
- REMOVE BURRS				
- BREAK EDGES 0.01in 0.25mm MAX				
- MAX SURFACE ROUGHNESS 12.5				