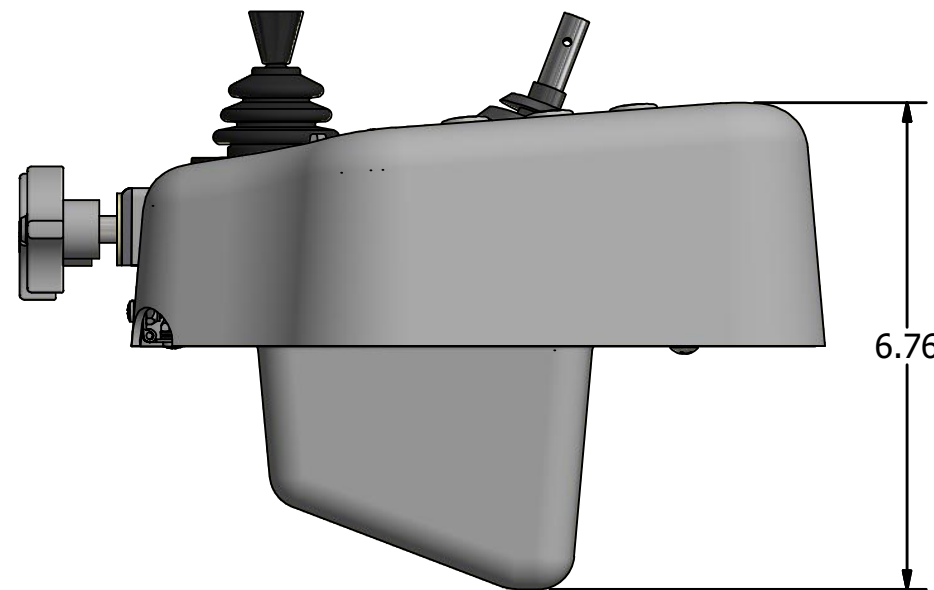
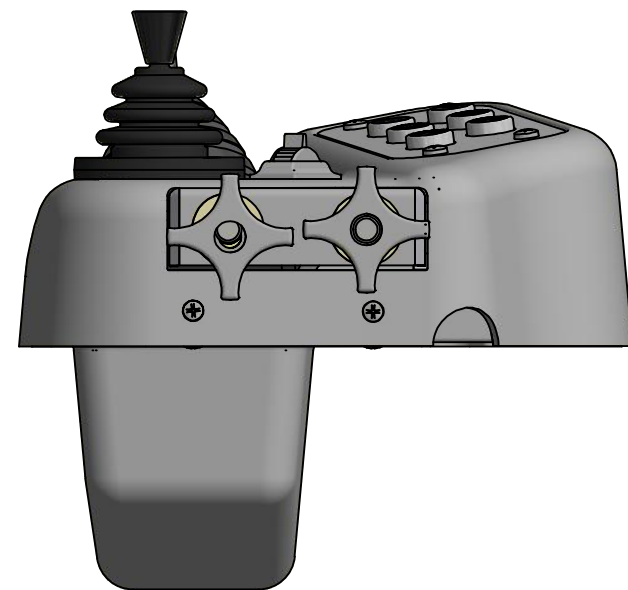
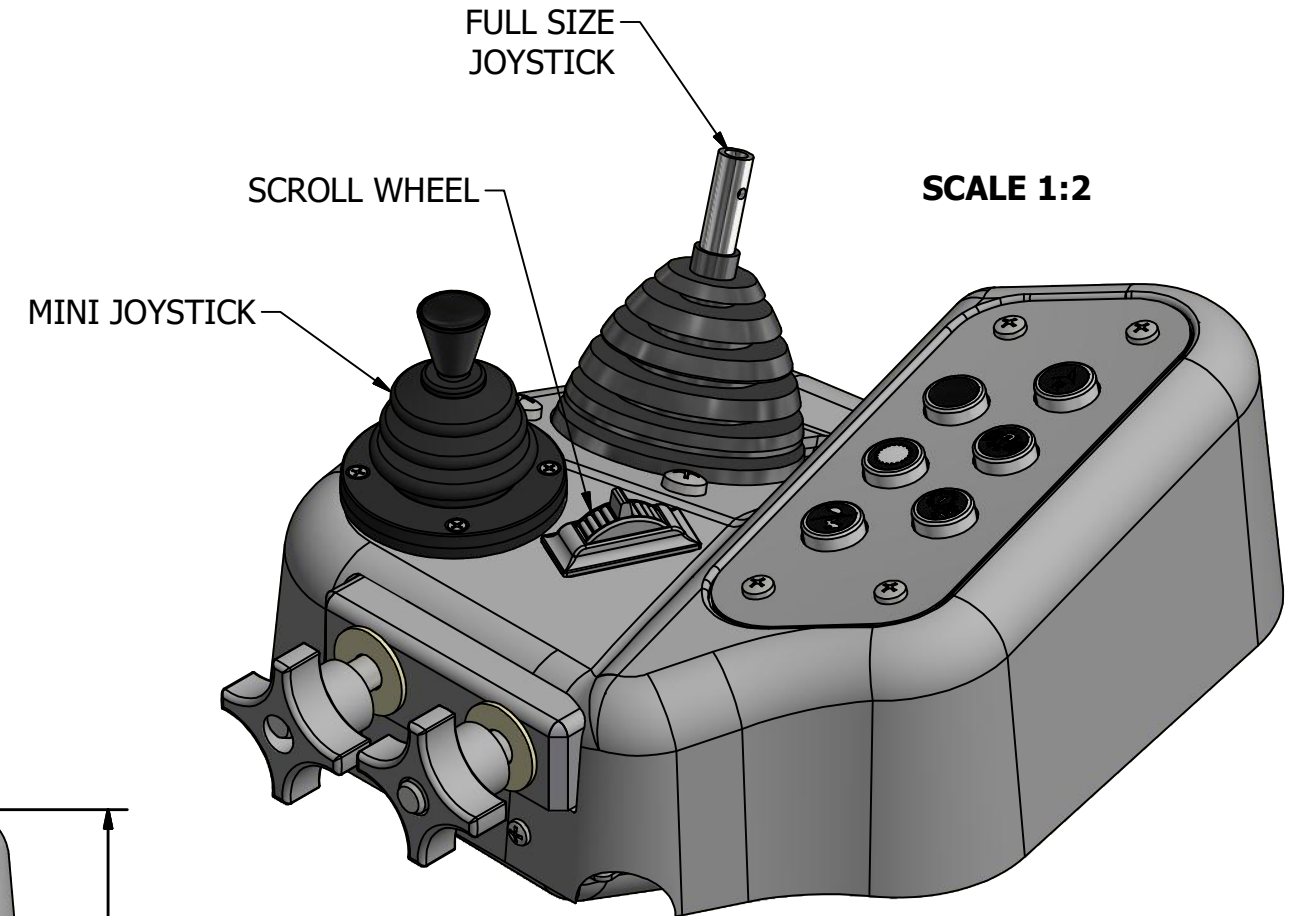
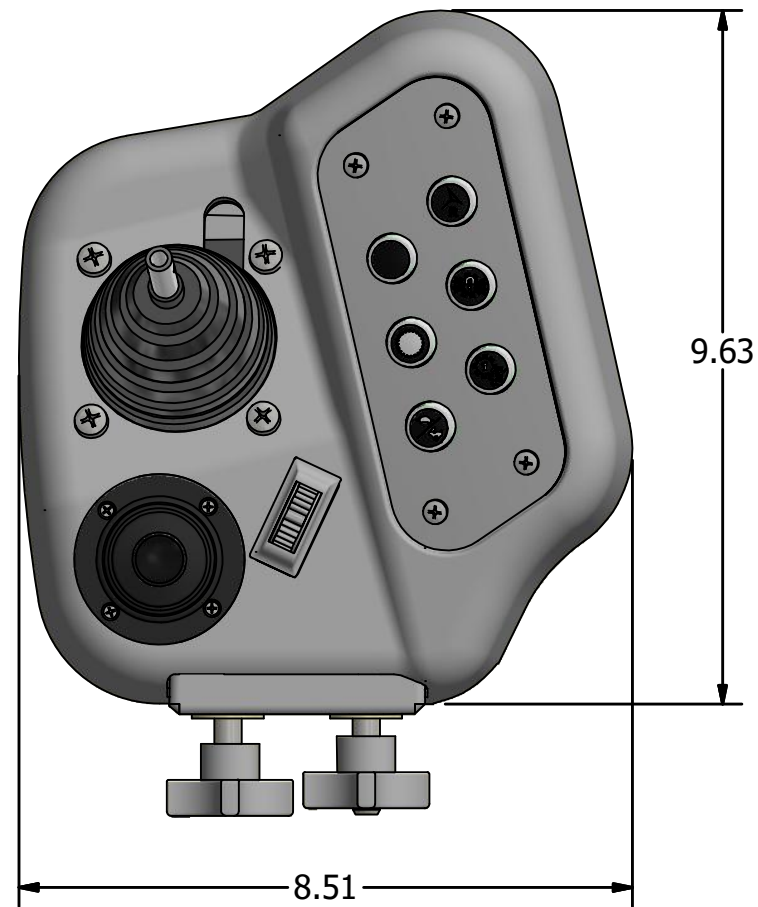


- RIGHT HAND POD ASSEMBLY WHICH BOLTS TO SEAT ARMREST
- DUAL AXIS CAN J1939 JOYSTICK WITH NO HANDLE SHOWN
- MINI DUAL OR SINGLE ANALOG JOYSTICK
- MINI SCROLL JOYSTICK FOR ENGINE THROTTLE CONTROL
- ANGLED CAN J1939 6 ROUND BUTTON SWITCH PANEL -FIVE LED COLORS
- POD CAN J1939 4 WIRE OUTPUT



UNLESS OTHERWISE SPECIFIED DIMENSIONS ARE IN INCHES		ORIGINATED BY: KJOHNSON	 GLOBAL RESOURCES MUKWONAGO, WI 53149
WIRE LENGTH TOLERANCES SPEC = IPC/WHMA-A-620B		ORIGINATION DATE: 7-17-2019	
≤ 1ft	+1in -0in	PROJECT ENGINEER:	DRAWING TITLE: RIGHT SIDE POD WITH MINI AND FULL SIZE JOYSTICK
> 1ft-5ft	+2in -0in	ACCOUNT MANAGER:	MATERIAL:
> 5ft-10ft	+4in -0in	MATERIAL:	COATING/PLATING:
> 10ft-25ft	+6in -0in	CUSTOMER PART NUMBER:	ALL TECHNICAL DATA ON THIS DRAWING IS THE PROPERTY OF GS GLOBAL RESOURCES INC. AND SHALL NOT BE USED BY OTHERS FOR MANUFACTURE, PROCUREMENT, OR DISCLOSURE WITHOUT THE WRITTEN PERMISSION OF GS GLOBAL RESOURCES INC.
> 25ft	+5% -0%	PERMISSION OF: GS GLOBAL RESOURCES INC.	SHEET INFO: B GS19090-017 A SCALE: 3:8 SHEET INFO: 1 OF 1
FRACTIONS ± 1/16in ± 1.59mm TOLERANCES ON DECIMALS: 1 PLACE 2 PLACE 3 PLACE in ±.030 ±.010 ±.005 mm ±.76 ±.25 ±.13 ANGULAR DIMENSIONS ± 1 DEG REMOVE BURRS BREAK EDGES 0.01in 0.25mm MAX MAX SURFACE ROUGHNESS 12.5			

TITLE BLOCK REVISION DATE: 10-9-2018