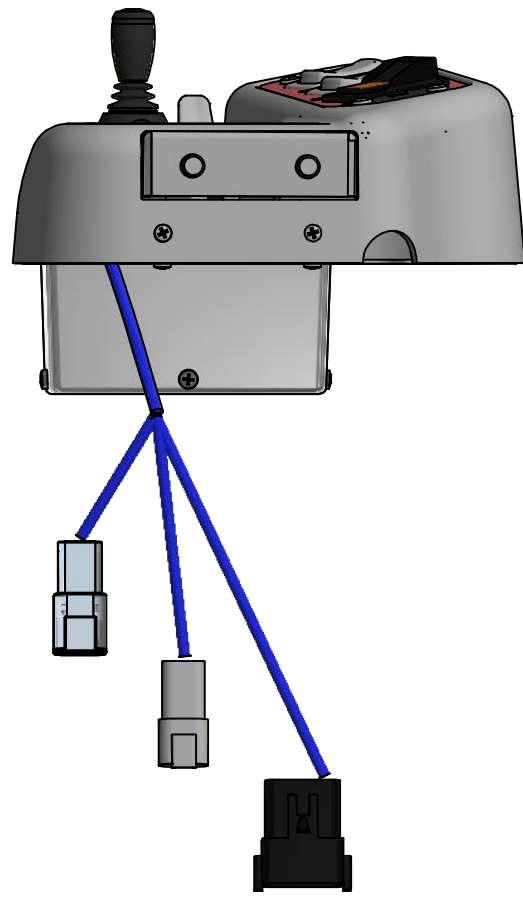
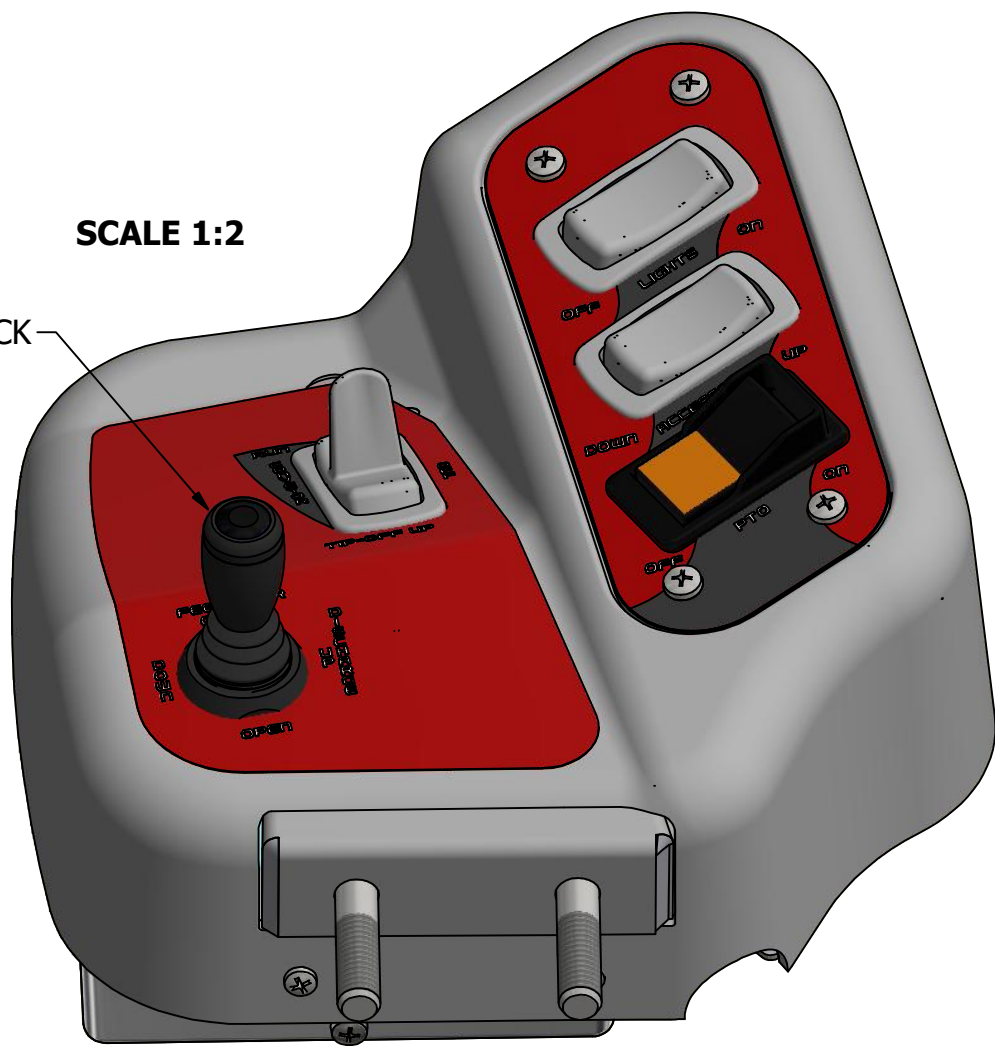


**VIEW A-A
SCALE 5:16**

- RIGHT HAND POD ASSEMBLY WHICH BOLTS TO SEAT ARMREST
- THREE ROCKER SWITCHES, SINGLE FINGERTIP SELECTION SWITCH
- DUAL AXIS MINI JOYSTICK WITH TOP MOMENTARY BUTTON
- CAN J1939 SOLUTION AS OPTION



UNLESS OTHERWISE SPECIFIED DIMENSIONS ARE IN INCHES		ORIGINATED BY: KJOHNSON	GLOBAL RESOURCES MUKWONAGO, WI 53149
WIRE LENGTH TOLERANCES SPEC = IPC/WHMA-A-620B		ORIGINATION DATE: 7-17-2019	
≤ 1ft +1in -0in > 1ft-5ft +2in -0in > 5ft-10ft +4in -0in > 10ft-25ft +6in -0in > 25ft +5% -0%	THIRD ANGLE PROJECTION	PROJECT ENGINEER:	DRAWING TITLE: RIGHT SIDE POD WITH A MINI JOYSTICK
- FRACTIONS ± 1/16in ± 1.59mm		ACCOUNT MANAGER:	MATERIAL:
- TOLERANCES ON DECIMALS:		COATING/PLATING:	CUSTOMER PART NUMBER:
1 PLACE	2 PLACE	3 PLACE	ALL TECHNICAL DATA ON THIS DRAWING IS THE PROPERTY OF GS GLOBAL RESOURCES INC. AND SHALL NOT BE USED BY OTHERS FOR MANUFACTURE, PROCUREMENT, OR DISCLOSURE WITHOUT THE WRITTEN PERMISSION OF GS GLOBAL RESOURCES INC.
in ±.030	±.010	±.005	SHT SIZE: B
mm ±.76	±.25	±.13	DRAWING NUMBER: GS19090-016
- ANGULAR DIMENSIONS ± 1 DEG		PERMISSION OF:	REV: A
- BREAK EDGES 0.01in 0.25mm MAX		GS GLOBAL RESOURCES INC.	DRAWING REFERENCE: SCALE: 5:16
- MAX SURFACE ROUGHNESS 12.5			SHEET INFO: 1 OF 1

TITLE BLOCK REVISION DATE: 10-9-2018