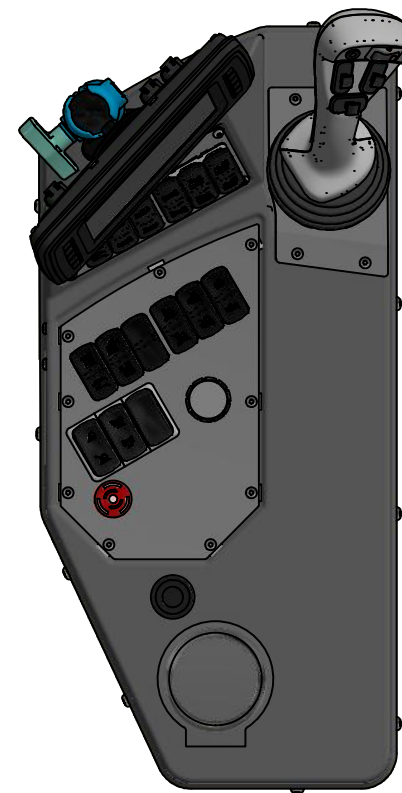
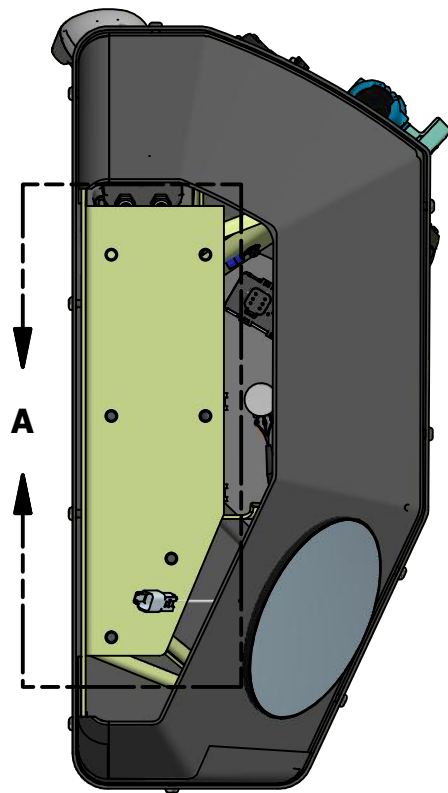
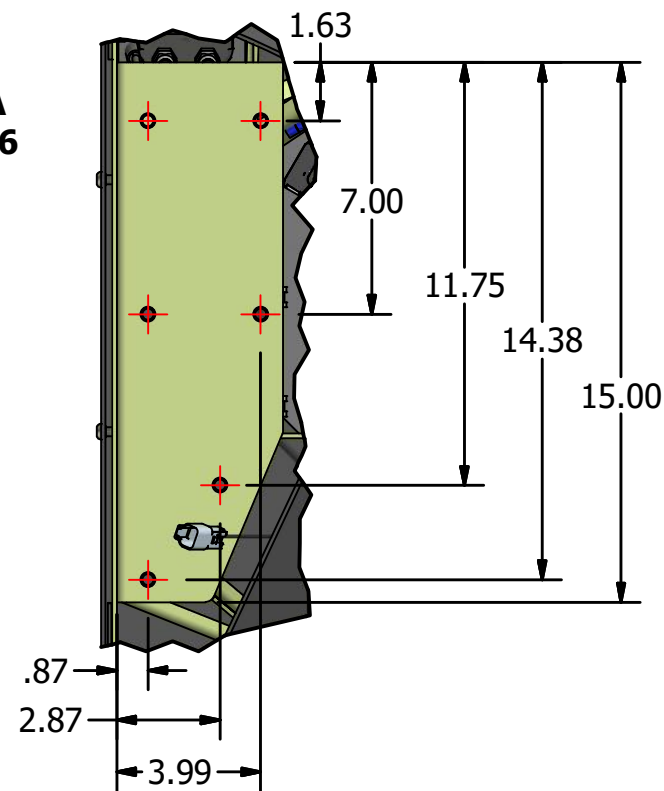


- MOLDED TOP AND BOTTOM PLASTIC
- CAN J1939 HALL EFFECT SWITCHES
- CUSTOM CAN J1939 JOYSTICK
- PROGRAMED 7" DISPLAY ON RAM MOUNT
- MOUNT TO SEAT WITH AIR RIDE



**DETAIL A  
SCALE 3:16**



UNLESS OTHERWISE SPECIFIED DIMENSIONS ARE IN INCHES		ORIGINATED BY: KJOHNSON	<b>GLOBAL RESOURCES</b> MUKWONAGO, WI 53149
WIRE LENGTH TOLERANCES SPEC = IPC/WHMA-A-620B		ORIGINATION DATE: 7-18-2019	
≤ 1ft	+1in -0in	PROJECT ENGINEER:	DRAWING TITLE: LEFT SIDE ARMREST WITH CUSTOM JOYSTICK
> 1ft-5ft	+2in -0in	ACCOUNT MANAGER:	SHEET SIZE: B
> 5ft-10ft	+4in -0in	MATERIAL:	DRAWING NUMBER: GS19090-014
> 10ft-25ft	+6in -0in	COATING/PLATING:	REV: A
> 25ft	+5% -0%	CUSTOMER PART NUMBER:	DRAWING REFERENCE: 5:32
FRACTIONS ± 1/16in ± 1.59mm		ALL TECHNICAL DATA ON THIS DRAWING IS THE PROPERTY OF GS GLOBAL RESOURCES INC. AND SHALL NOT BE USED BY OTHERS FOR MANUFACTURE, PROCUREMENT, OR DISCLOSURE WITHOUT THE WRITTEN PERMISSION OF GS GLOBAL RESOURCES INC.	
TOLERANCES ON DECIMALS:		SHEET INFO: 1 OF 1	
1 PLACE	± .030		
2 PLACE	± .010		
3 PLACE	± .005		
in	± .030		
mm	± .25		
ANGULAR DIMENSIONS ± 1 DEG			
REMOVE BURRS			
BREAK EDGES 0.01in 0.25mm MAX			
MAX SURFACE ROUGHNESS			

TITLE BLOCK REVISION DATE: 10-9-2018