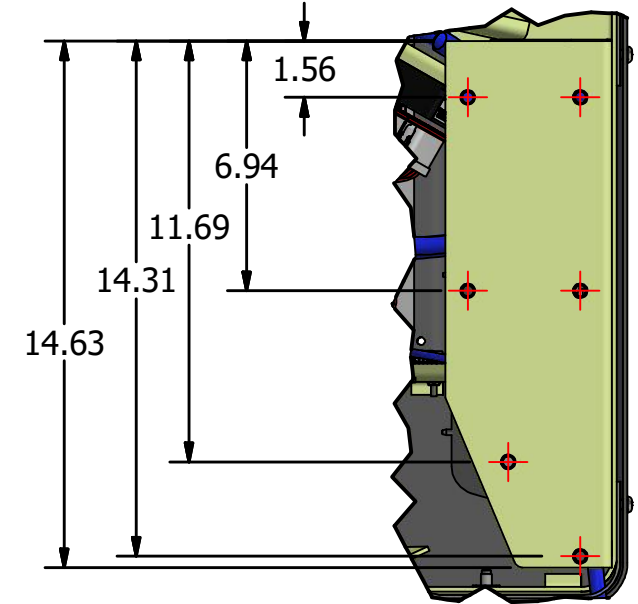
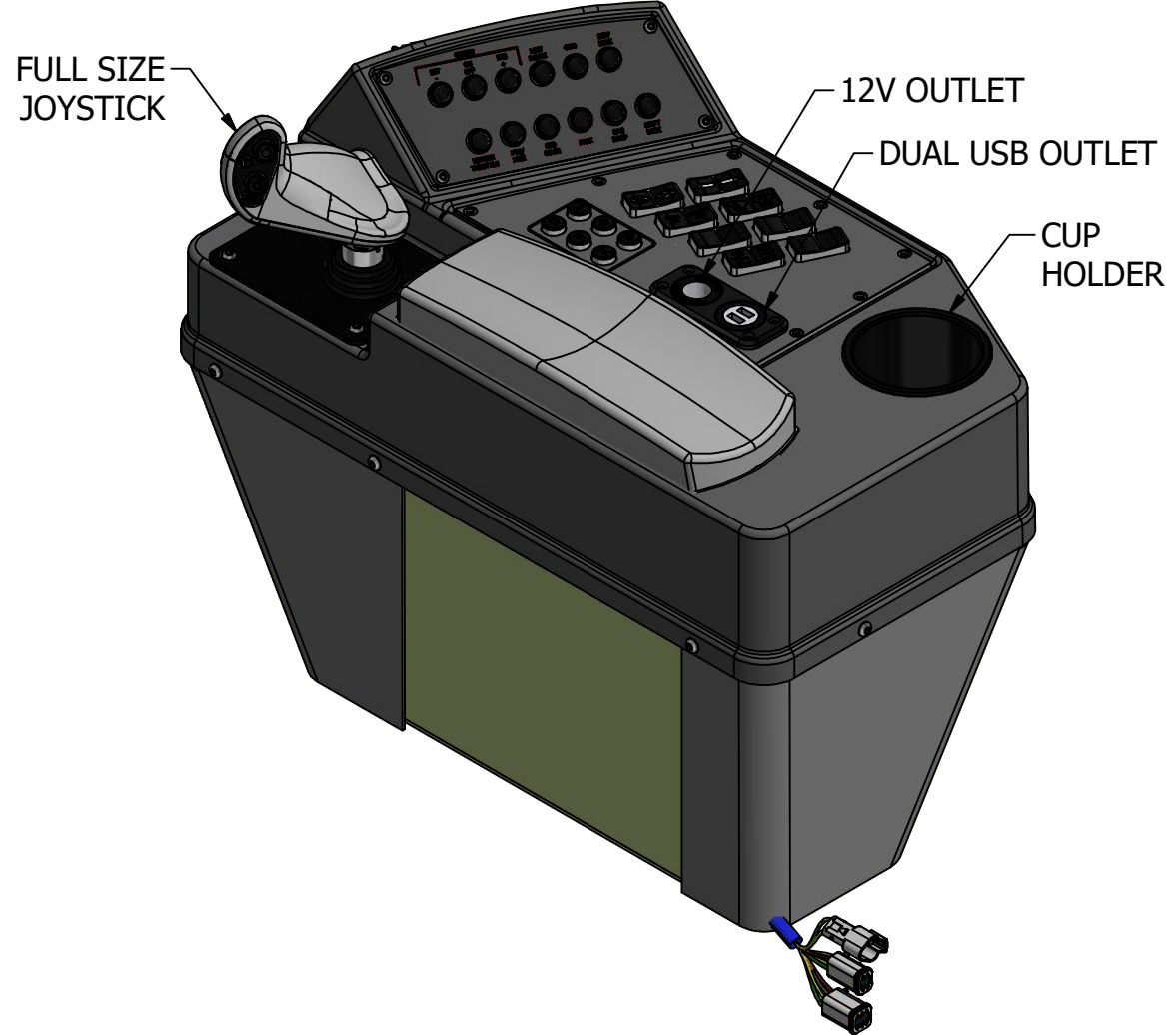
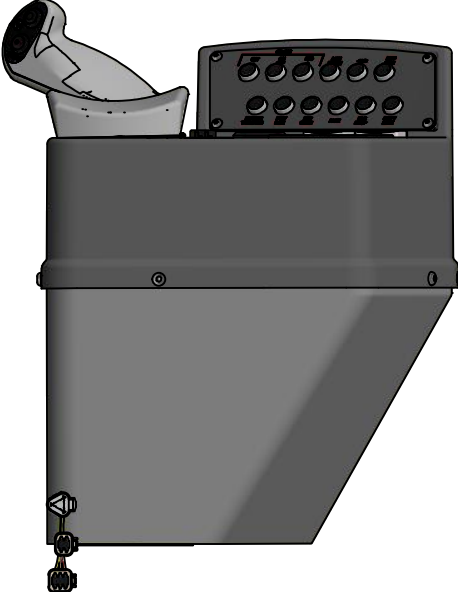


- MOLDED PLASTIC TOP AND BOTTOM
- SINGLE AXIS DRIVE JOYSTICK
- OPTIONAL RAM MOUNT AND DISPLAY CONNECTOR
- CUSTOM CAN J1939 SWITCH PANEL
- BACKLIGHT AROUND UPPER SWITCH PANEL
- ALLISON TRANSMISSION CONTROL BUILT IN
- CUSTOM JOYSTICK ANGLE FOR ERGONOMICS
- ELECTRONICS ENCLOSED INSIDE

SCALE 3:16



DETAIL A
SCALE 3:16



UNLESS OTHERWISE SPECIFIED DIMENSIONS ARE IN INCHES		ORIGINATED BY: KJOHNSON	 GLOBAL RESOURCES MUKWONAGO, WI 53149
WIRE LENGTH TOLERANCES SPEC = IPC/WHMA-A-620B		ORIGINATION DATE: 7-17-2019	
≤ 1ft	+1in -0in	PROJECT ENGINEER:	DRAWING TITLE: RIGHT ARMREST WITH SINGLE AXIS JOYSTICK
> 1ft-5ft	+2in -0in	ACCOUNT MANAGER:	SHT SIZE: DRAWING NUMBER: REV: A
> 5ft-10ft	+4in -0in	MATERIAL:	DRAWING REFERENCE: SCALE: 5:32 SHEET INFO: 1 OF 1
> 10ft-25ft	+6in -0in	COATING/PLATING:	
> 25ft	+5% -0%	CUSTOMER PART NUMBER:	
FRACTIONS ± 1/16in ± 1.59mm		ALL TECHNICAL DATA ON THIS DRAWING IS THE PROPERTY OF GS GLOBAL RESOURCES INC. AND SHALL NOT BE USED BY OTHERS FOR MANUFACTURE, PROCUREMENT, OR DISCLOSURE WITHOUT THE WRITTEN PERMISSION OF GS GLOBAL RESOURCES INC.	
TOLERANCES ON DECIMALS:			
1 PLACE	2 PLACE	3 PLACE	
in ±.030	±.010	±.005	
mm ±.76	±.25	±.13	
ANGULAR DIMENSIONS ± 1 DEG			
REMOVE BURRS			
BREAK EDGES 0.01in 0.25mm MAX			
MAX SURFACE ROUGHNESS 12.5			

TITLE BLOCK REVISION DATE: 10-9-2018