

4

3

2

1

- FULLY MOLDED ENCLOSURE WITH STEEL SUB-STRUCTURE
- LOCKING CENTER SINGLE AXIS JOYSTICKS
- CUSTOM CAN J1939 SWITCH PANEL
- MOLDED IN CUP HOLDERS
- CELL PHONE TRAY WITH CHARGING PORTS

SCALE 1:4



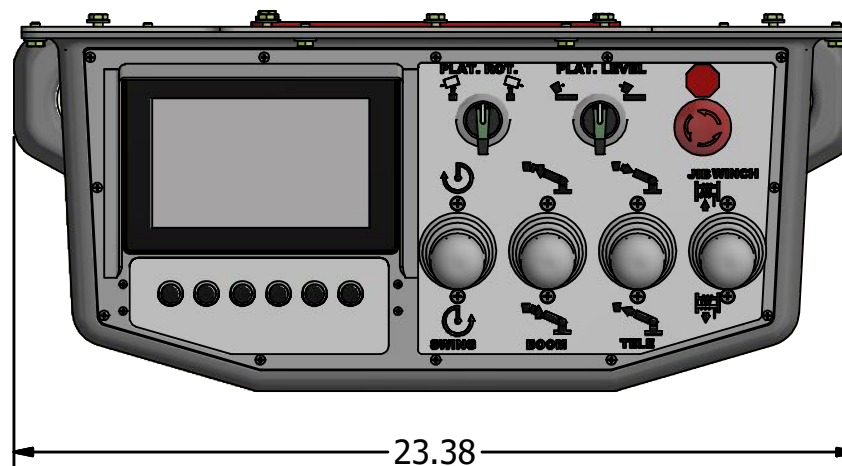
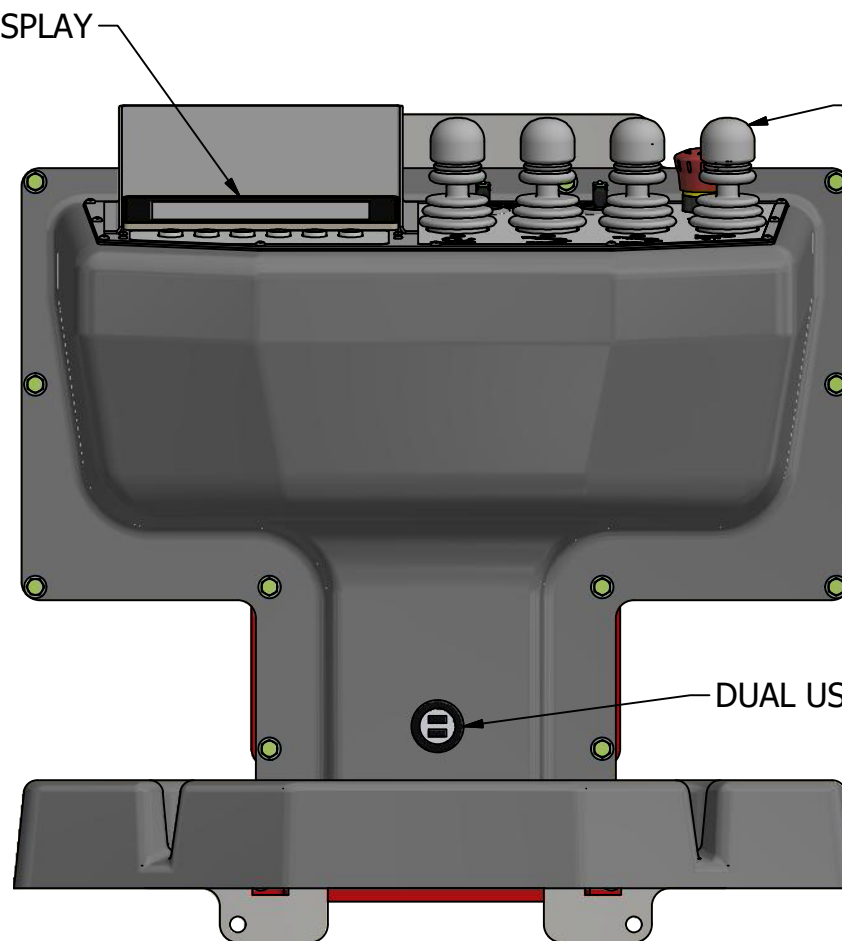
MD4 DISPLAY

EMERGENCY STOP

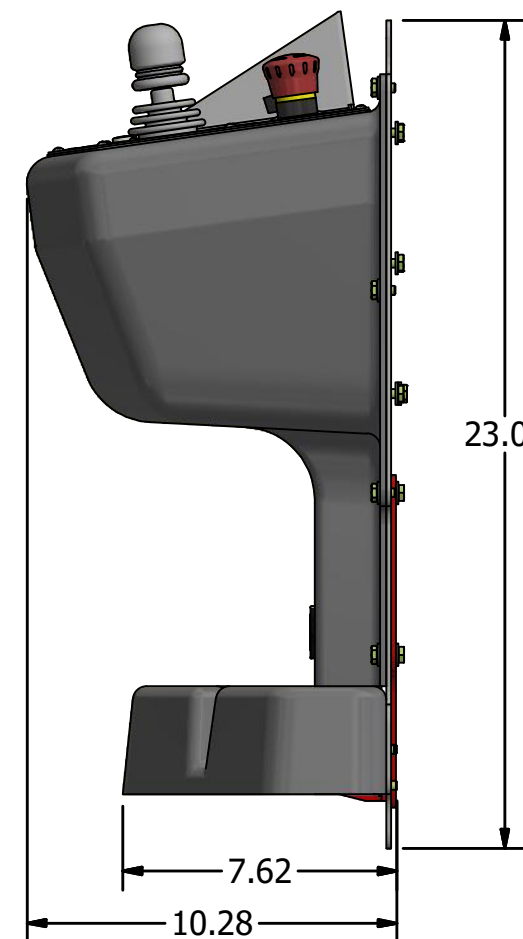
MINI JOYSTICK

DUAL USB PORTS

CUP HOLDER




23.38



23.00

7.62

10.28

UNLESS OTHERWISE SPECIFIED DIMENSIONS ARE IN INCHES		ORIGINATED BY: KJOHNSON	 GLOBAL RESOURCES MUKWONAGO, WI 53149
WIRE LENGTH TOLERANCES SPEC = IPC/WHMA-A-620B		ORIGINATION DATE: 7-16-2019	
≤ 1ft +1in -0in	THIRD ANGLE PROJECTION	PROJECT ENGINEER:	DRAWING TITLE: BUCKET LIFT CONTROL CONSOLE
> 1ft-5ft +2in -0in		ACCOUNT MANAGER:	SHEET SIZE: B
> 5ft-10ft +4in -0in		MATERIAL:	DRAWING NUMBER: GS19090-006
> 10ft-25ft +6in -0in		COATING/PLATING:	REV: A
> 25ft +5% -0%		CUSTOMER PART NUMBER:	DRAWING REFERENCE: 3:16
FRACTIONS ± 1/16in ± 1.59mm		ALL TECHNICAL DATA ON THIS DRAWING IS THE PROPERTY OF GS GLOBAL RESOURCES INC. AND SHALL NOT BE USED BY OTHERS FOR MANUFACTURE, PROCUREMENT, OR DISCLOSURE WITHOUT THE WRITTEN PERMISSION OF GS GLOBAL RESOURCES INC.	
TOLERANCES ON DECIMALS:		SHEET INFO: 1 OF 1	
1 PLACE ±.030	2 PLACE ±.010		
3 PLACE ±.005	mm ±.76		
ANGULAR DIMENSIONS ± 1 DEG			
REMOVE BURRS			
BREAK EDGES 0.01in 0.25mm MAX			
MAX SURFACE ROUGHNESS 12.5			

4

3

2

1

TITLE BLOCK REVISION DATE: 10-9-2018