

4

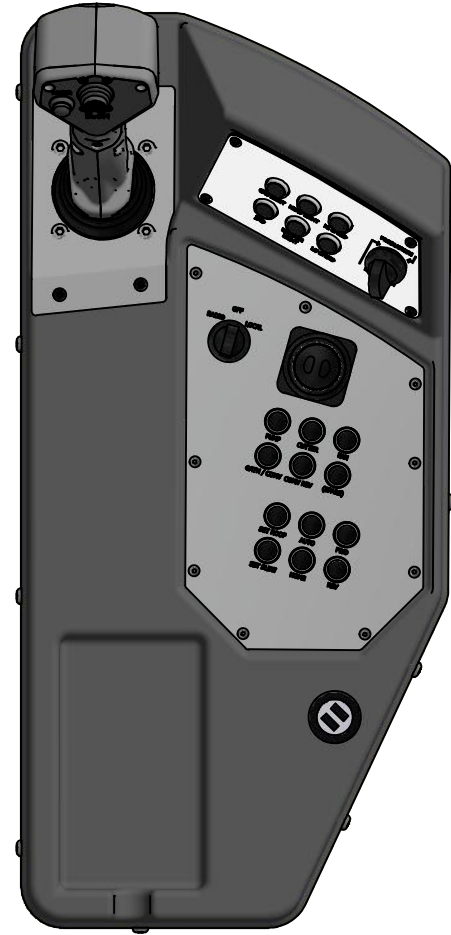
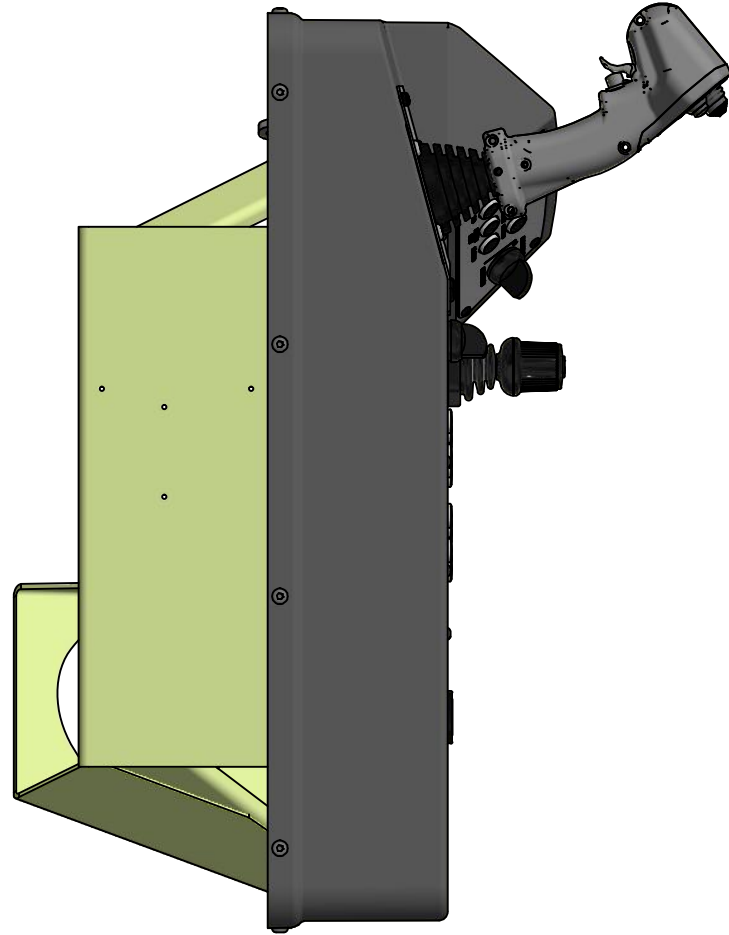
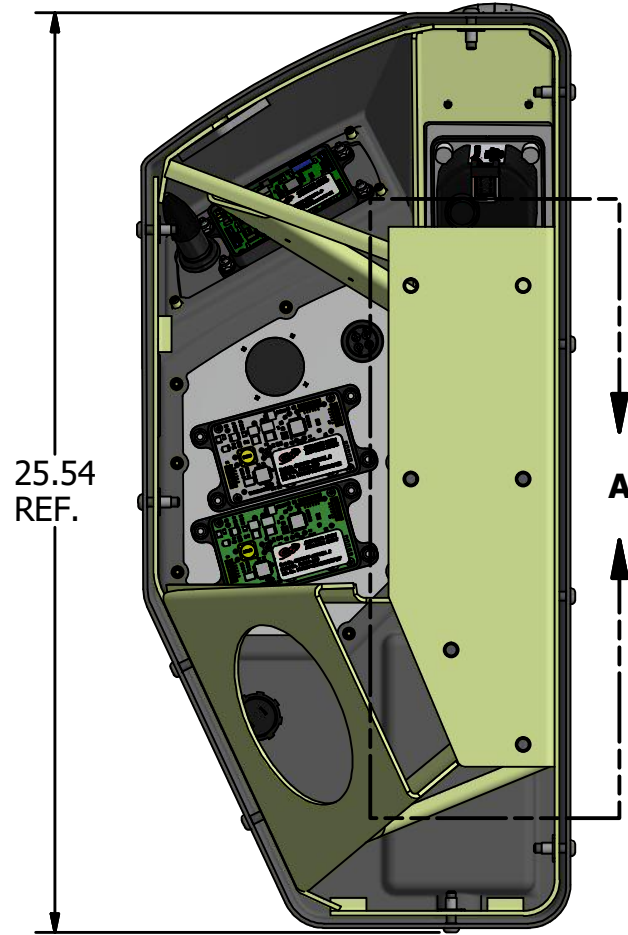
3

2

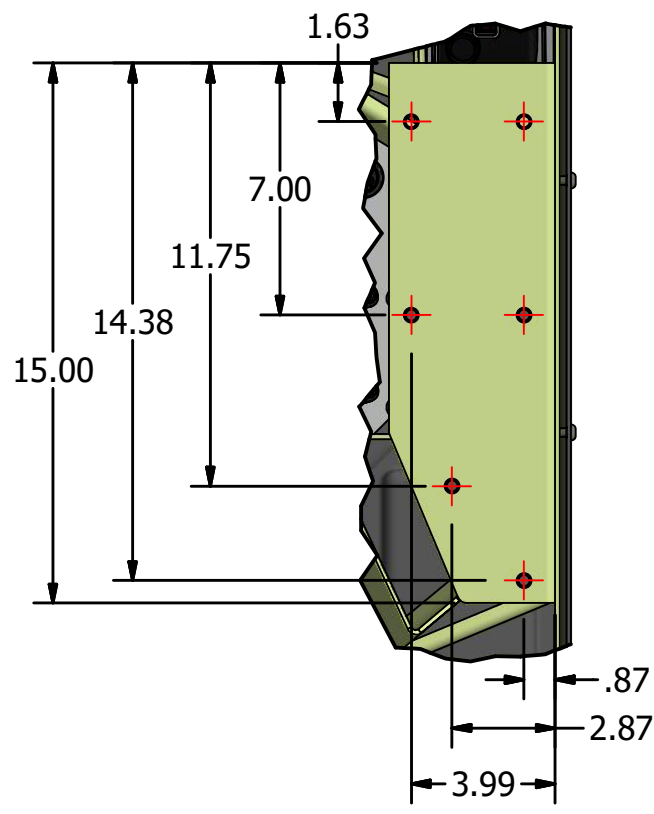
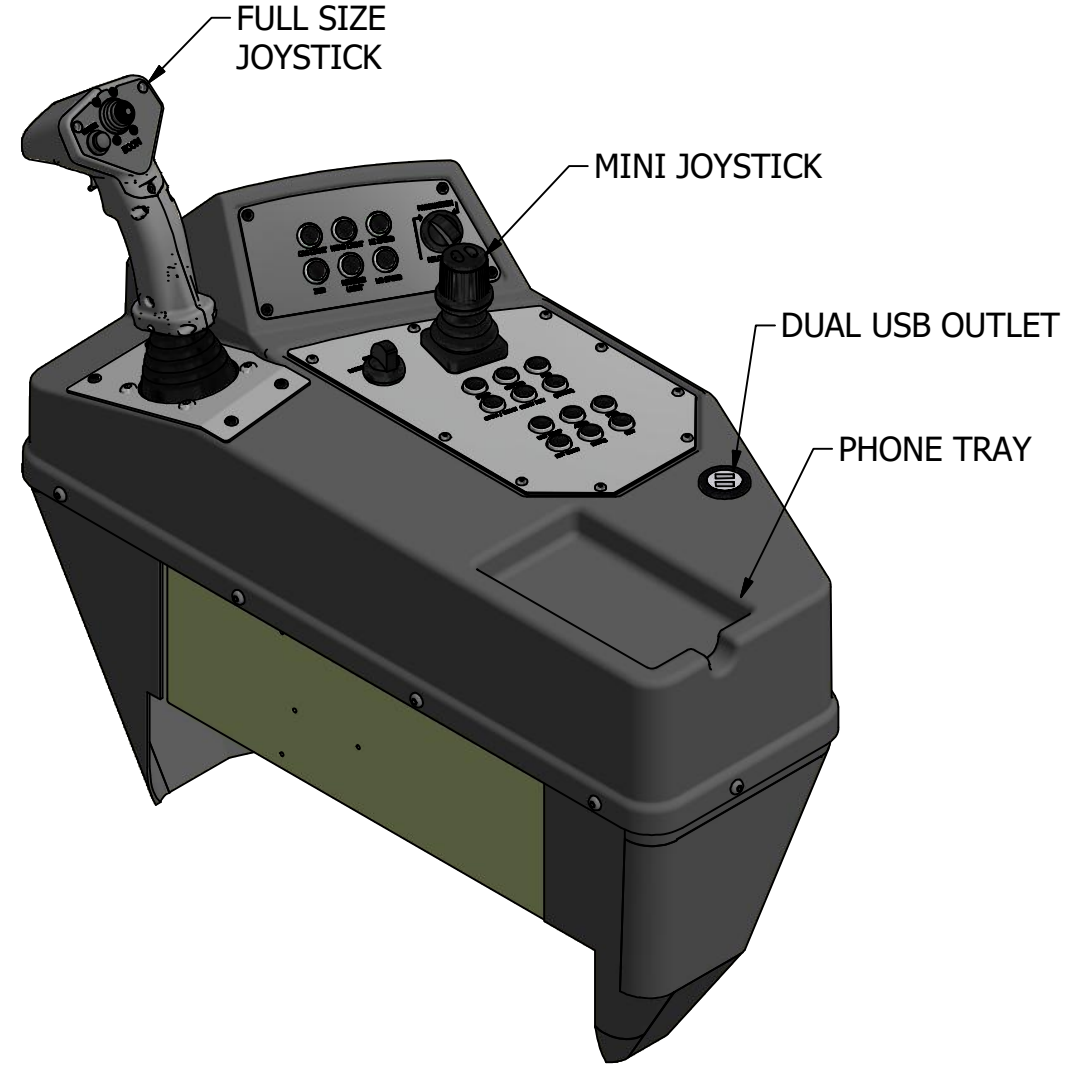
1

B

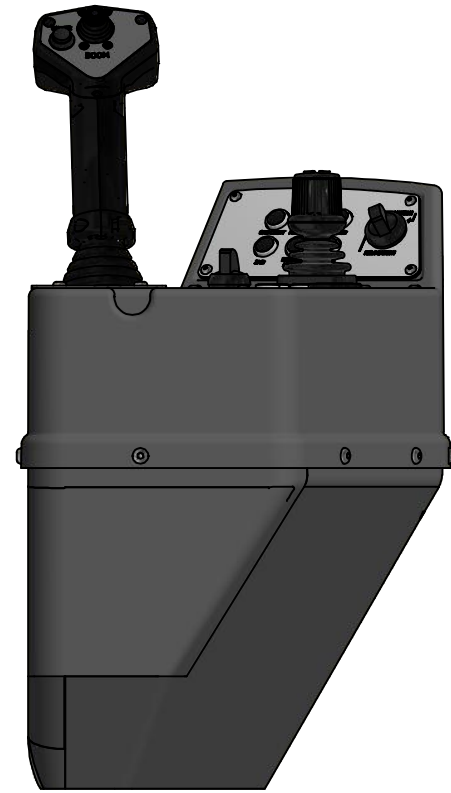
B



- FULL METAL SUBSTRUCTURE
- SPEAKER MOUNT OPTION
- CUSTOM CAN J1939 SWITCHES
- DUAL JOYSTICKS
- INTERNAL ALARM
- INTEGRATED CELLPHONE HOLDER



**DETAIL A**  
**SCALE 3:16**



A

A

4

3

2

1

UNLESS OTHERWISE SPECIFIED DIMENSIONS ARE IN INCHES		ORIGINATED BY: KJOHNSON	<p><b>GLOBAL RESOURCES</b> MUKWONAGO, WI 53149</p>
WIRE LENGTH TOLERANCES SPEC = IPC/WHMA-A-620B		ORIGINATION DATE: 7-16-2019	
≤ 1ft +1in -0in	THIRD ANGLE PROJECTION	PROJECT ENGINEER:	DRAWING TITLE: RIGHT ARMREST WITH DUAL JOYSTICKS
> 1ft-5ft +2in -0in		ACCOUNT MANAGER:	SHEET SIZE: B
> 5ft-10ft +4in -0in		MATERIAL:	DRAWING NUMBER: GS19090-003
> 10ft-25ft +6in -0in		COATING/PLATING:	REV: A
> 25ft +5% -0%		CUSTOMER PART NUMBER:	DRAWING REFERENCE: 3:16
FRACTIONS ± 1/16in ± 1.59mm		ALL TECHNICAL DATA ON THIS DRAWING IS THE PROPERTY OF GS GLOBAL RESOURCES INC. AND SHALL NOT BE USED BY OTHERS FOR MANUFACTURE, PROCUREMENT, OR DISCLOSURE WITHOUT THE WRITTEN PERMISSION OF GS GLOBAL RESOURCES INC.	
- TOLERANCES ON DECIMALS:		SCALE: 3:16	
1 PLACE ±.030	2 PLACE ±.010	SHEET INFO: 1 OF 1	
3 PLACE ±.005	mm ±.76 ±.25 ±.13	TITLE BLOCK REVISION DATE: 10-9-2018	
- ANGULAR DIMENSIONS ± 1 DEG			
- REMOVE BURRS			
- BREAK EDGES 0.01in 0.25mm MAX			
- MAX SURFACE ROUGHNESS 12.5			