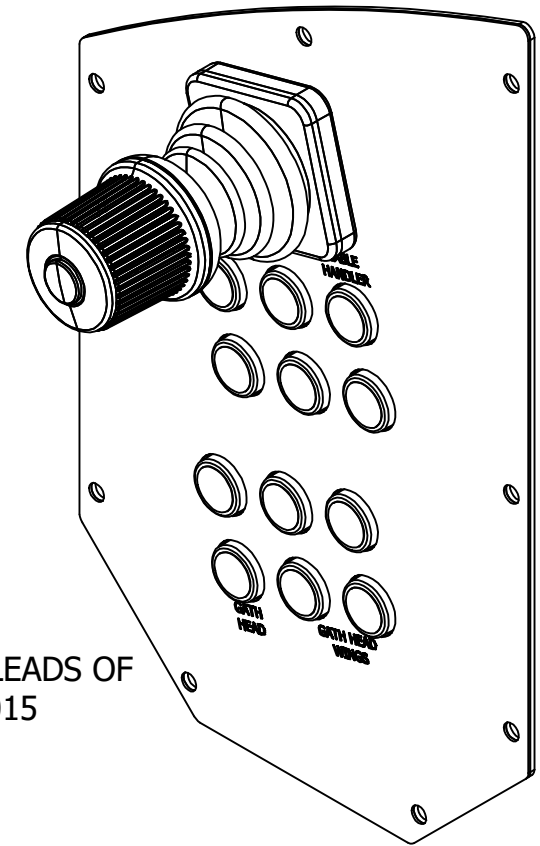
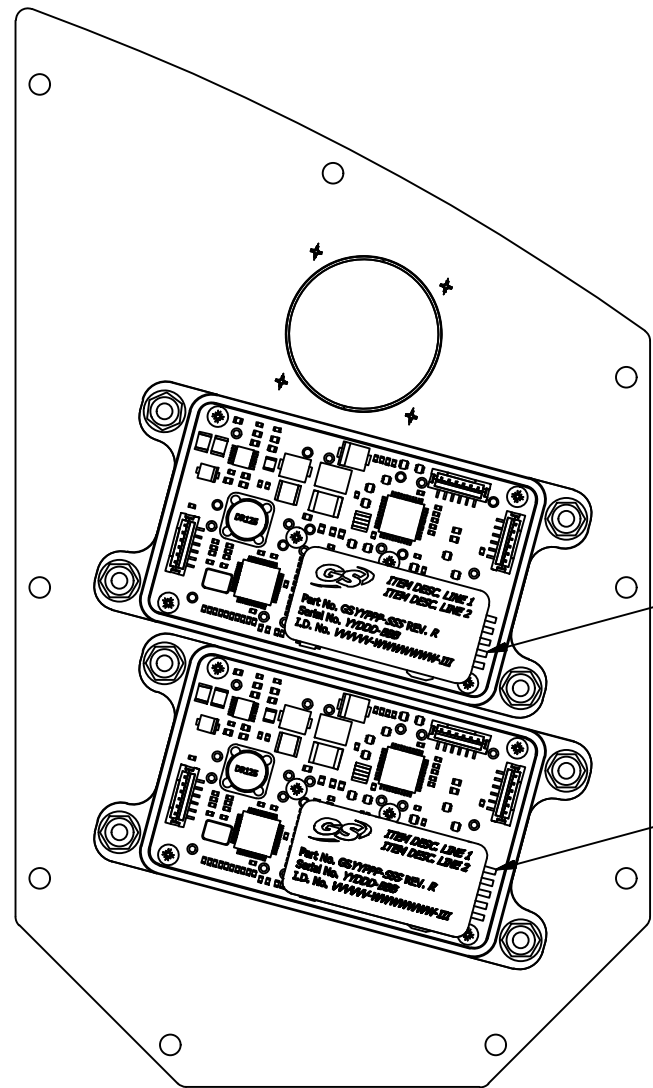
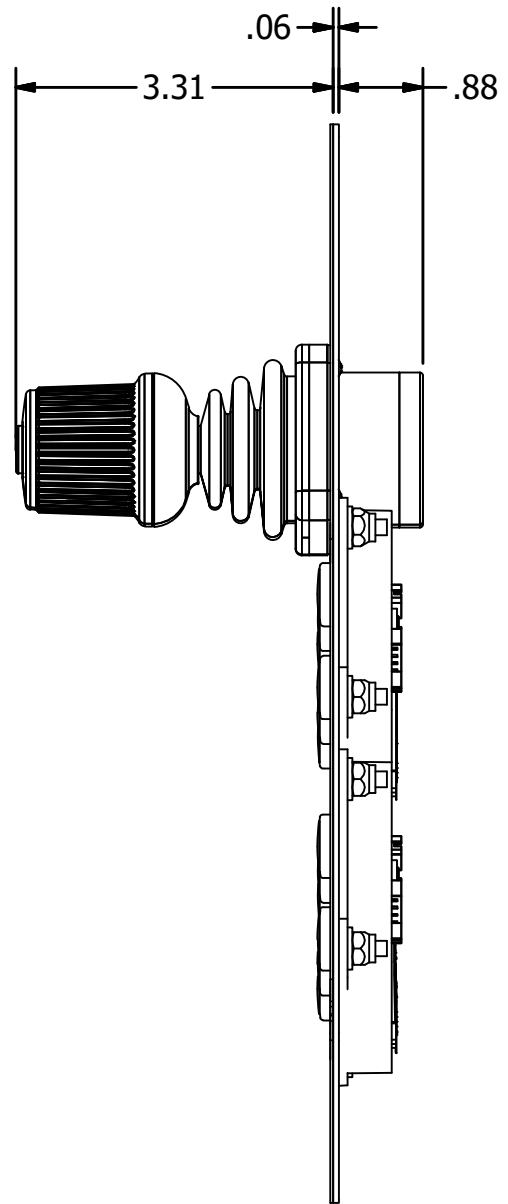
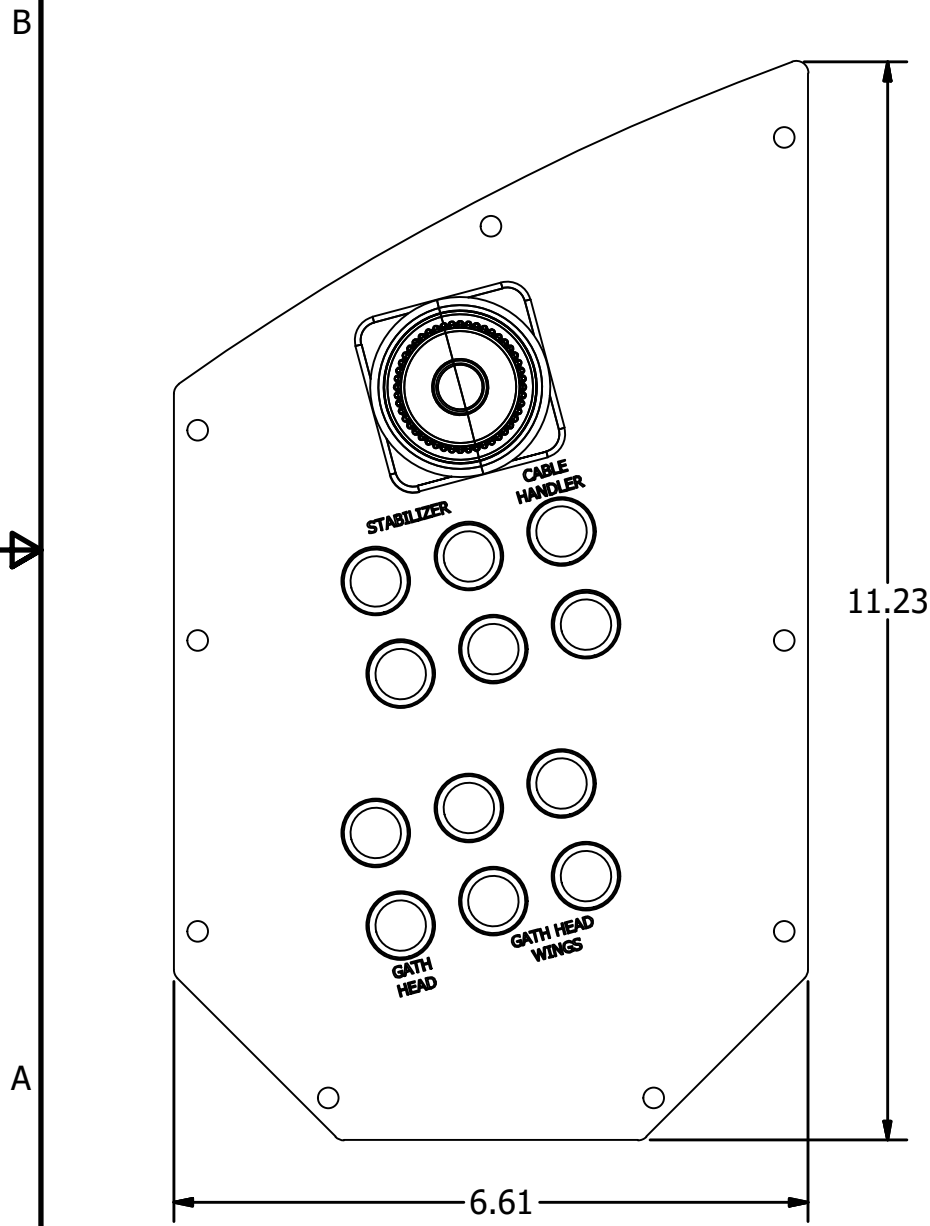


4	3	2	1	1
				INSTALLATION LOCATION
		BUTTONS	COMMAND SIGNAL	MATING CONNECTOR
		12 PUSH BUTTONS, AND A 3 AXIS JOYSTICK	CAN J1939	DT06-4P-C015
			CONNECTOR	DT04-4S-C015
				CAB



UNLESS OTHERWISE SPECIFIED DIMENSIONS ARE IN INCHES		ORIGINATED BY: KJOHNSON	<p>GLOBAL RESOURCES MUKWONAGO, WI 53149</p>
WIRE LENGTH TOLERANCES SPEC = IPC/WHMA-A-620B		ORIGIN DATE: 7-10-2019	
≤ 1ft	+1in -0in	PROJECT ENGINEER:	DRAWING TITLE: 12 PUSH BUTTON SWITCH PANEL WITH 3 AXIS JOYSTICK
> 1ft-5ft	+2in -0in	ACCOUNT MANAGER:	
> 5ft-10ft	+4in -0in	MATERIAL:	SHT SIZE: DRAWING NUMBER: REV: A
> 10ft-25ft	+6in -0in	COATING/PLATING:	
> 25ft	+5% -0%	CUSTOMER PART NUMBER:	B GS17122-060 A
FRACTIONS ± 1/16in ± 1.59mm		ALL TECHNICAL DATA ON THIS DRAWING IS THE PROPERTY OF GS GLOBAL RESOURCES INC. AND SHALL NOT BE USED BY OTHERS FOR MANUFACTURE, PROCUREMENT, OR DISCLOSURE WITHOUT THE WRITTEN PERMISSION OF GS GLOBAL RESOURCES INC.	
TOLERANCES ON DECIMALS:		SCALE: 1:2	
1 PLACE	2 PLACE	SHEET INFO: 1 OF 1	
in ± .030	± .010		
mm ± .76	± .25		
ANGULAR DIMENSIONS ± 1 DEG			
REMOVE BURRS			
BREAK EDGES 0.01in 0.25mm MAX			
MAX SURFACE ROUGHNESS 12.5			

TITLE BLOCK REVISION DATE: 10-9-2018