

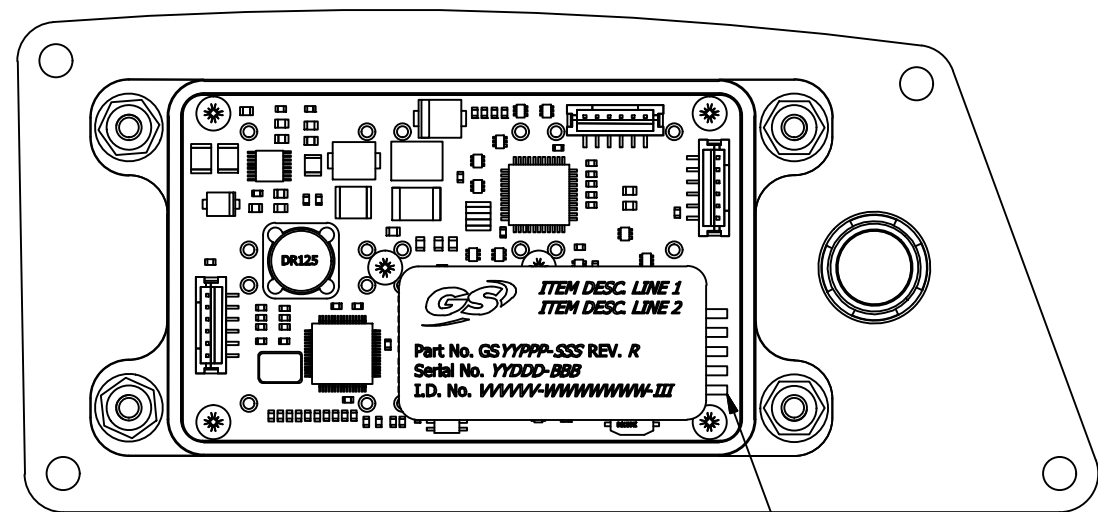
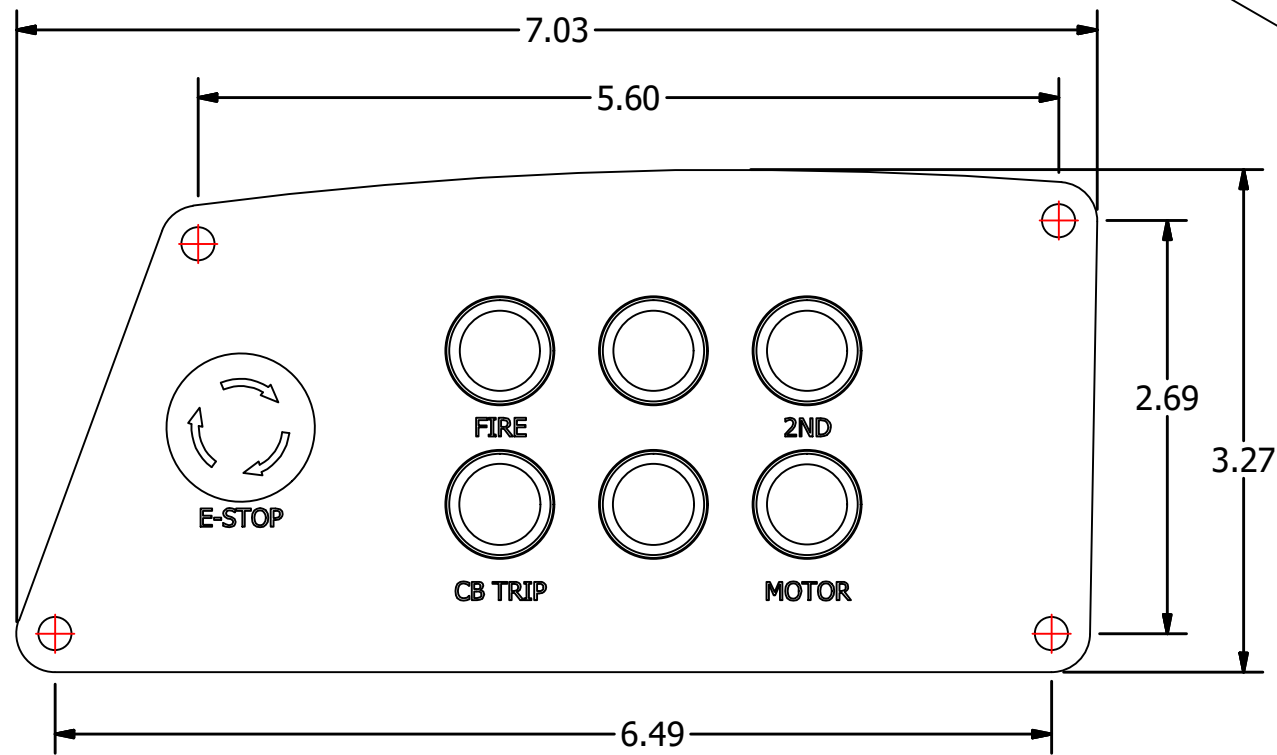
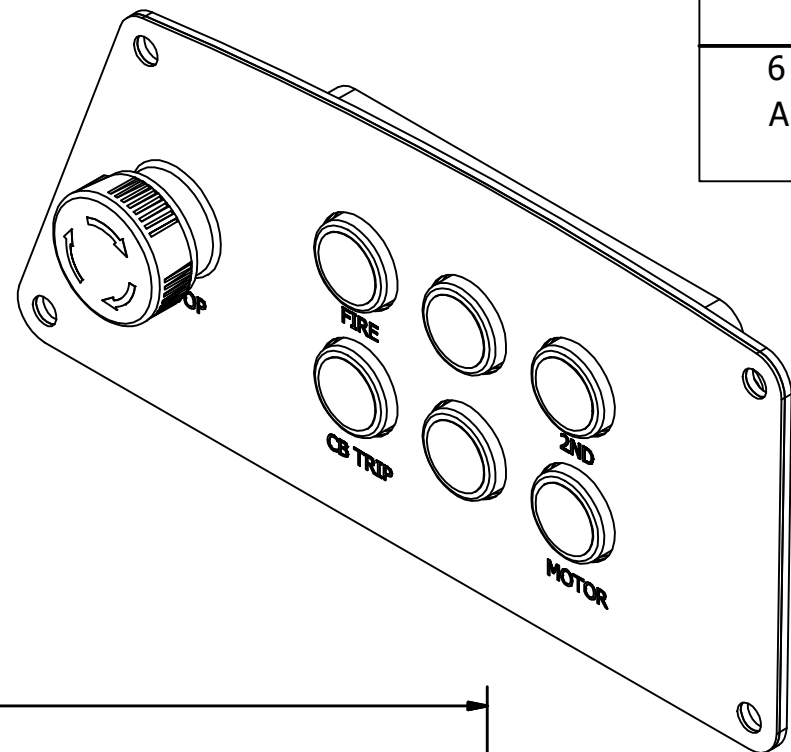
4

3

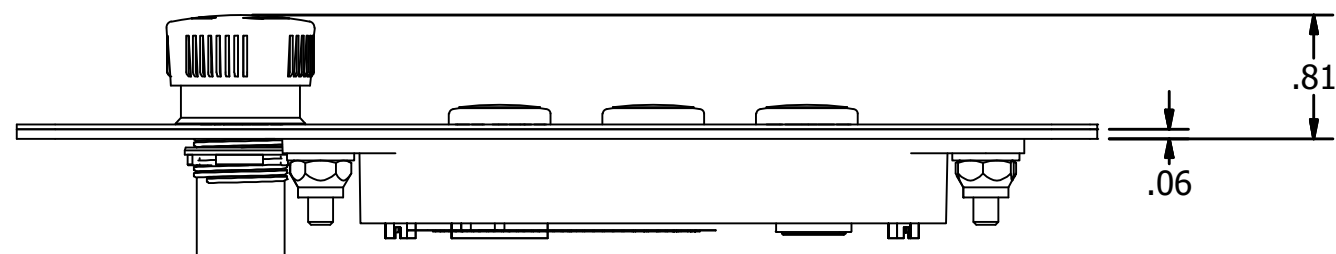
2


1

4	3	2	1	INSTALLATION LOCATION
		BUTTONS	COMMAND SIGNAL	MATING CONNECTOR
		6 PUSH BUTTONS IN 2 BY 3 ALIGNED LAYOUT WITH AN EMERGENCY STOP	CAN J1939	DT06-4S-C015
			CONNECTOR	DT04-4P-C015
				CAB



PADS FOR LEADS OF DT04-4P-C015



UNLESS OTHERWISE SPECIFIED DIMENSIONS ARE IN INCHES		ORIGINATED BY: KJOHNSON	 <b>GLOBAL RESOURCES</b> MUKWONAGO, WI 53149
WIRE LENGTH TOLERANCES SPEC= IPC/WHMA-A-620B		ORIGINATION DATE: 7-10-2019	
≤ 1ft +1in -0in > 1ft-5ft +2in -0in > 5ft-10ft +4in -0in > 10ft-25ft +6in -0in > 25ft +5% -0%	THIRD ANGLE PROJECTION	PROJECT ENGINEER:	DRAWING TITLE: 6 PUSH BUTTONS WITH AN EMERGENCY STOP
FRACTIONS ± 1/16in ± 1.59mm		ACCOUNT MANAGER:	MATERIAL:
TOLERANCES ON DECIMALS:		CUSTOMER PART NUMBER:	COATING/PLATING:
1 PLACE ±.030	2 PLACE ±.010	3 PLACE ±.005	PERMISSION OF: GS GLOBAL RESOURCES INC.
mm ±.76 ±.25 ±.13		ALL TECHNICAL DATA ON THIS DRAWING IS THE PROPERTY OF GS GLOBAL RESOURCES INC. AND SHALL NOT BE USED BY OTHERS FOR MANUFACTURE, PROCUREMENT, OR DISCLOSURE WITHOUT THE WRITTEN PERMISSION OF GS GLOBAL RESOURCES INC.	
- ANGULAR DIMENSIONS ± 1 DEG		SHEET SIZE: B	
- REMOVE BURRS		DRAWING NUMBER: GS17122-059	
- BREAK EDGES 0.01in 0.25mm MAX		SCALE: 4:5	
- MAX SURFACE ROUGHNESS 12.5		SHEET INFO: 1 OF 1	

4

3

2

1

TITLE BLOCK REVISION DATE: 10-9-2018