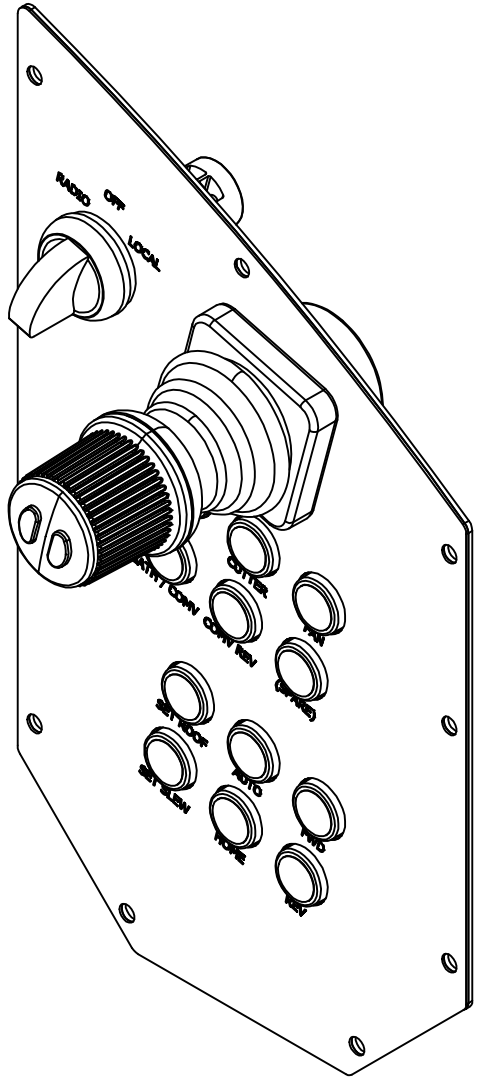
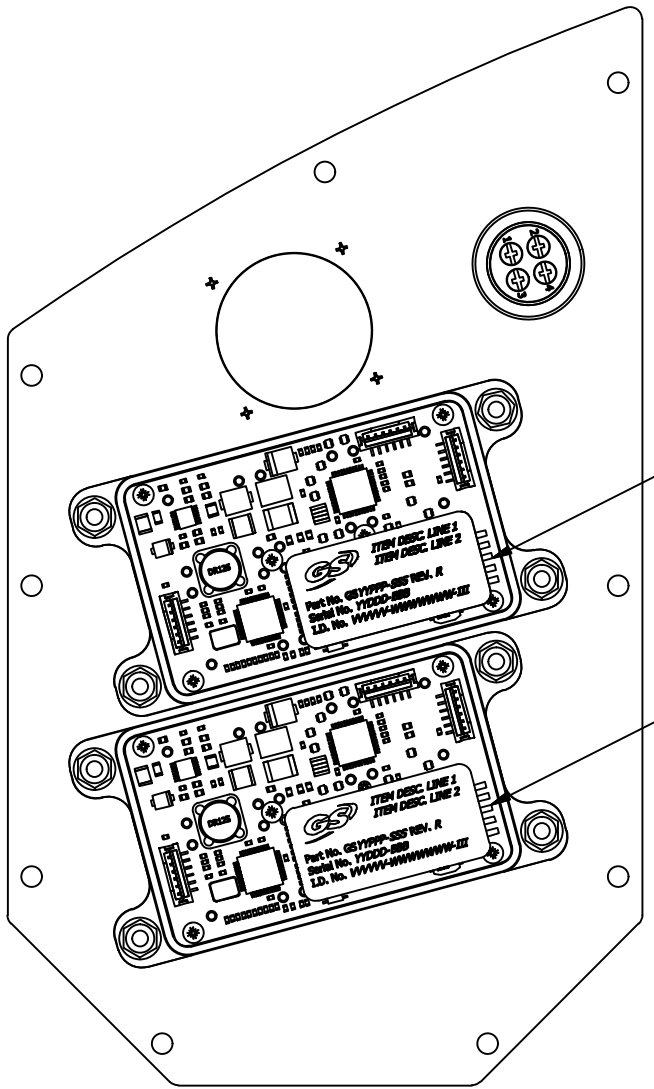
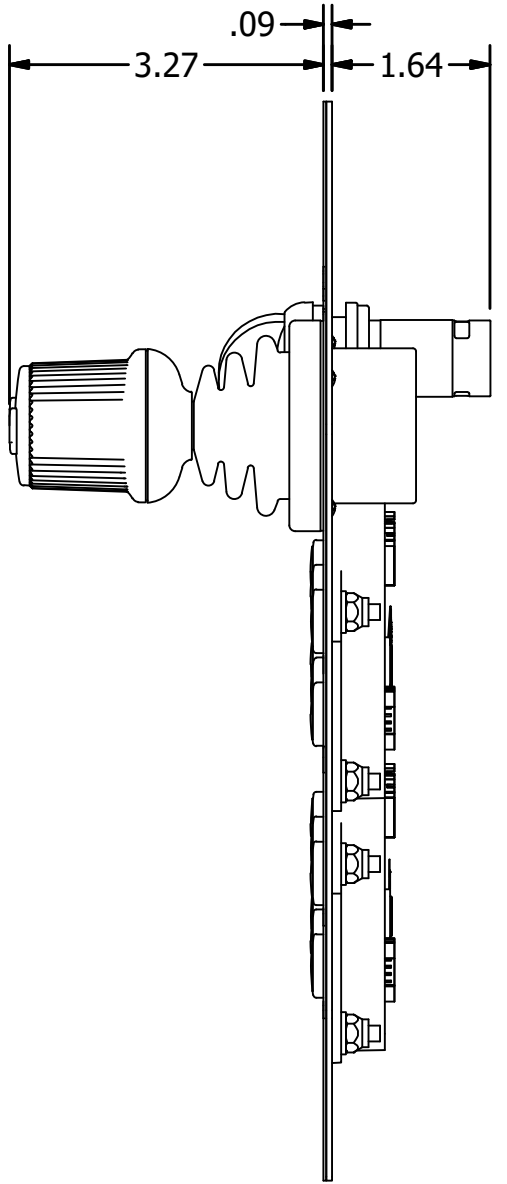
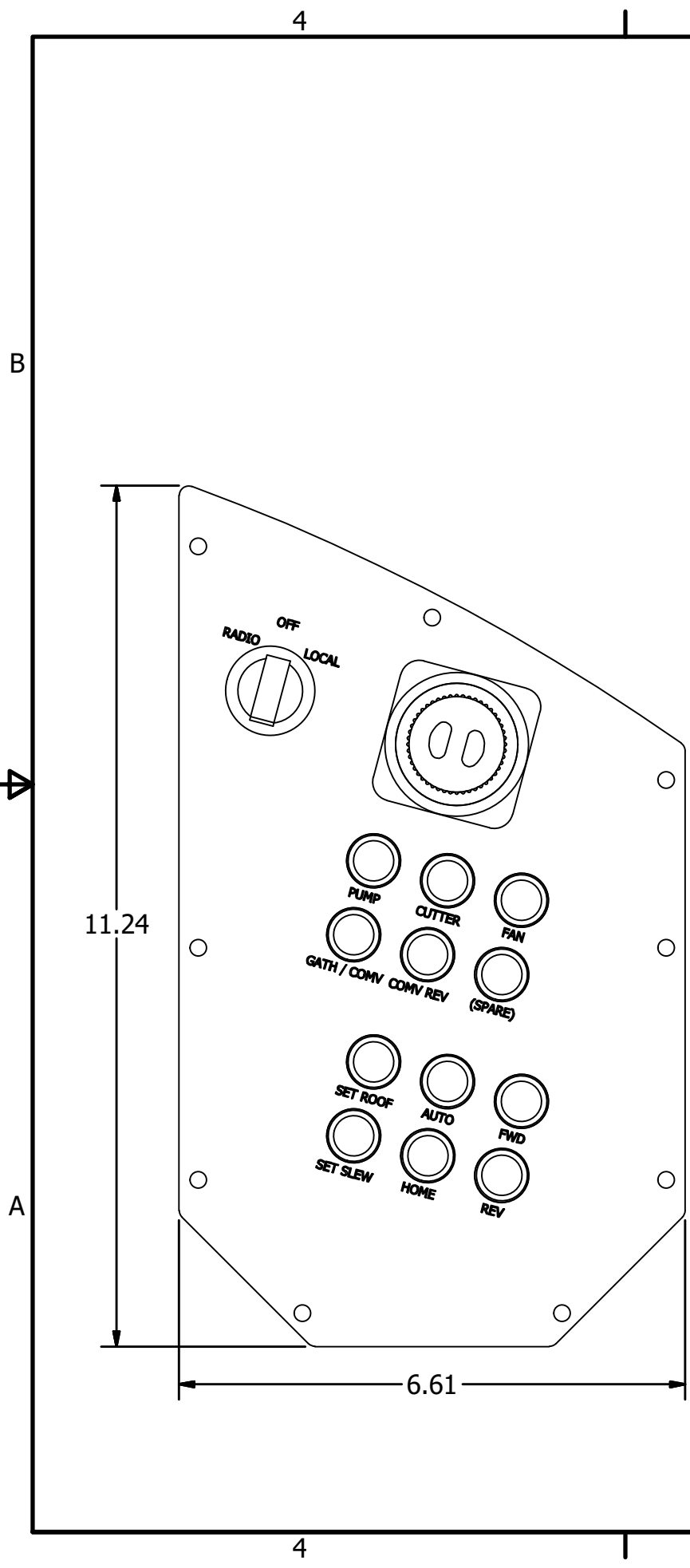


2	1	1	1	1
BUTTONS	COMMAND SIGNAL	CONNECTOR	MATING CONNECTOR	INSTALLATION LOCATION
12 PUSH BUTTONS, 1 SELECTOR SWITCH AND A 3 AXIS JOYSTICK	CAN J1939	DT06-4S	DT04-4P	CAB



UNLESS OTHERWISE SPECIFIED DIMENSIONS ARE IN INCHES		ORIGINATED BY: KJOHNSON	<b>GLOBAL RESOURCES</b> MUKWONAGO, WI 53149
WIRE LENGTH TOLERANCES SPEC = IPC/WHMA-A-620B		ORIGIN DATE: 7-10-2019	
≤ 1ft +1in -0in > 1ft-5ft +2in -0in > 5ft-10ft +4in -0in > 10ft-25ft +6in -0in > 25ft +5% -0%	THIRD ANGLE PROJECTION	PROJECT ENGINEER:	DRAWING TITLE: 12 PUSH BUTTON SWITCH PANEL WITH 3 AXIS JOYSTICK AND A SELECTOR SWITCH
FRACTIONS ± 1/16in ± 1.59mm TOLERANCES ON DECIMALS: 1 PLACE 2 PLACE 3 PLACE in ±.030 ±.010 ±.005 mm ±.76 ±.25 ±.13 ANGULAR DIMENSIONS ± 1 DEG REMOVE BURRS BREAK EDGES 0.01in 0.25mm MAX MAX SURFACE ROUGHNESS 12.5		ACCOUNT MANAGER:	ALL TECHNICAL DATA ON THIS DRAWING IS THE PROPERTY OF GS GLOBAL RESOURCES INC. AND SHALL NOT BE USED BY OTHERS FOR MANUFACTURE, PROCUREMENT, OR DISCLOSURE WITHOUT THE WRITTEN PERMISSION OF GS GLOBAL RESOURCES INC.
		MATERIAL:	CUSTOMER PART NUMBER: SHT SIZE: B DRAWING NUMBER: GS17122-058 REV: A SCALE: 1:2 SHEET INFO: 1 OF 1
		COATING/PLATING:	
		CUSTOMER PART NUMBER:	

TITLE BLOCK REVISION DATE: 10-9-2018