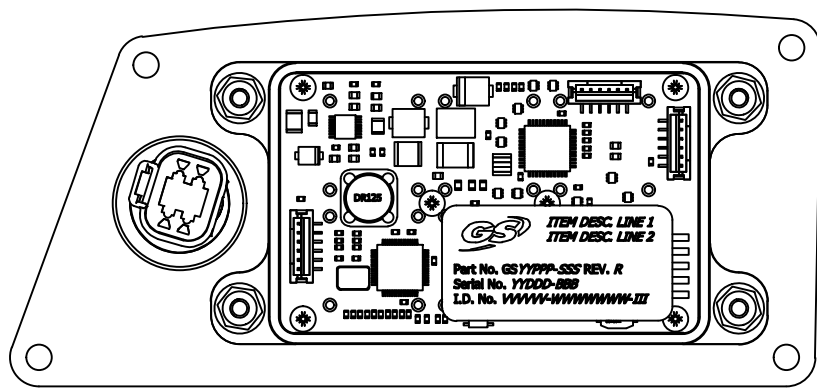
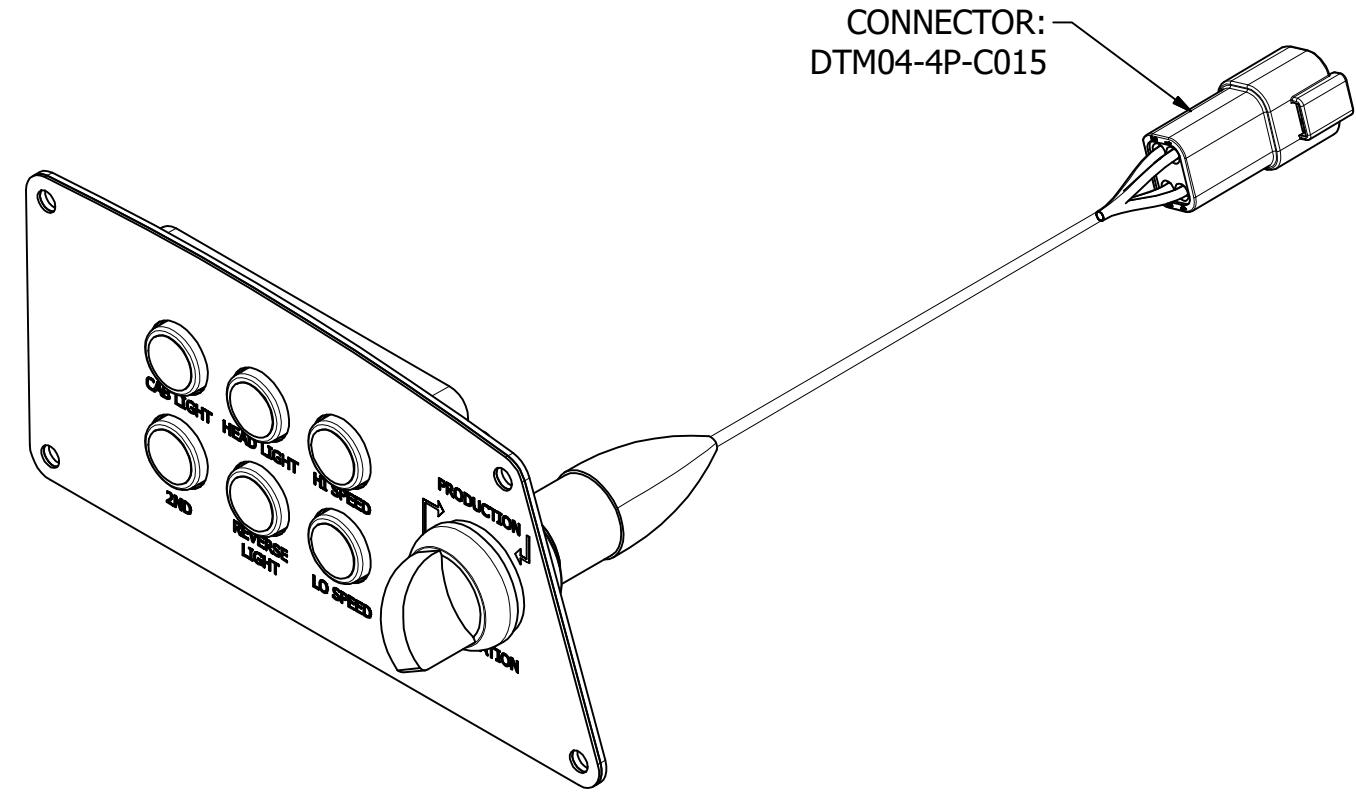
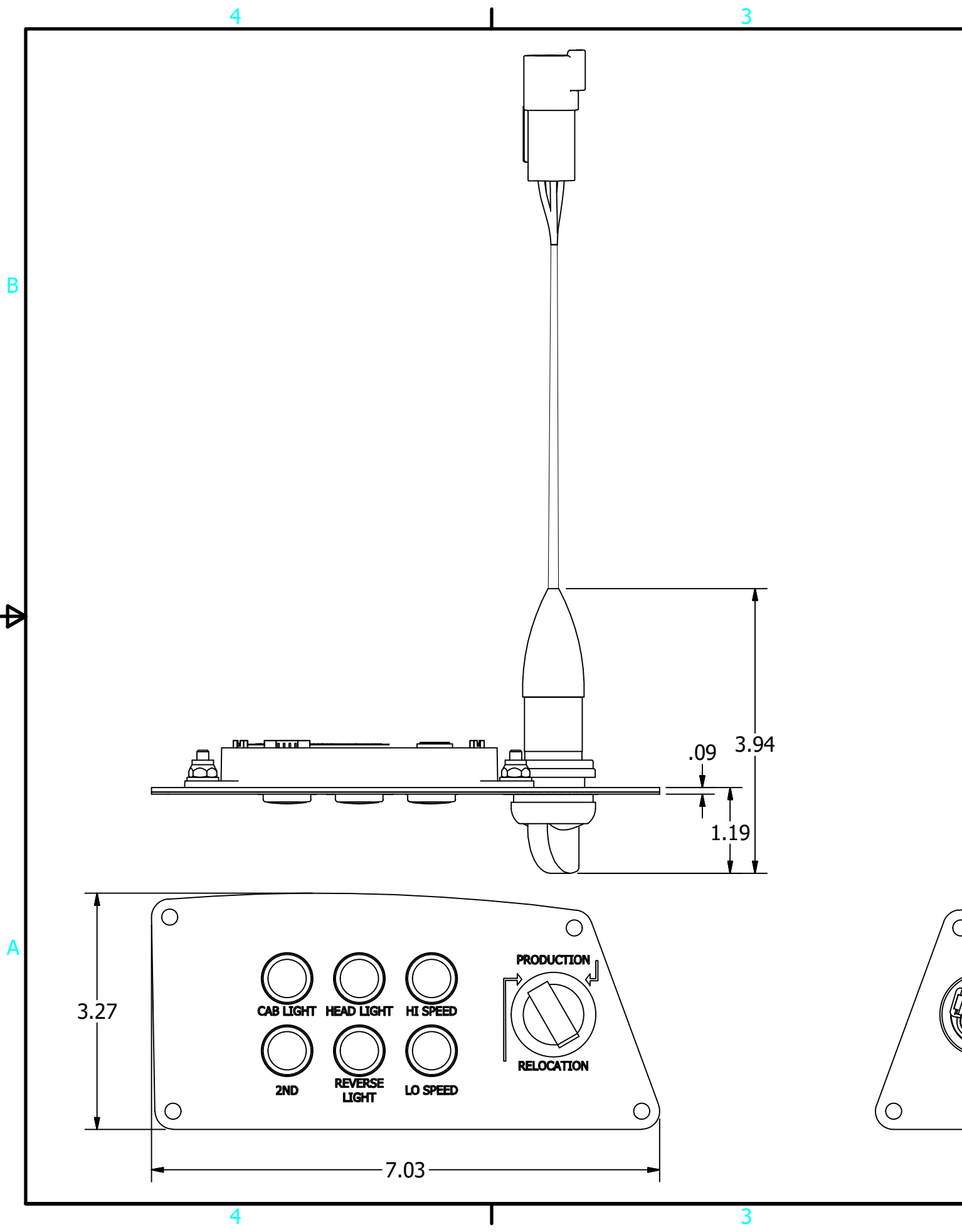


2	1	1	1	1
BUTTONS	COMMAND SIGNAL	CONNECTOR	MATING CONNECTOR	INSTALLATION LOCATION
6 PUSH BUTTON IN 2 BY 3 LAYOUT WITH SELECTOR SWITCH	CAN J1939	DTM04-4P-CO15	DT06-4S	CAB



UNLESS OTHERWISE SPECIFIED DIMENSIONS ARE IN INCHES		ORIGINATED BY: KJOHNSON	<p>GLOBAL RESOURCES MUKWONAGO, WI 53149</p>						
WIRE LENGTH TOLERANCES SPEC = IPC/WHMA-A-620B		ORIGINATION DATE: 7-10-2019							
<ul style="list-style-type: none"> ≤ 1ft +1in -0in > 1ft-5ft +2in -0in > 5ft-10ft +4in -0in > 10ft-25ft +6in -0in > 25ft +5% -0% 	THIRD ANGLE PROJECTION	ACCOUNT MANAGER:	DRAWING TITLE: 6 PUSH BUTTONS WITH A SELECTOR SWITCH						
<ul style="list-style-type: none"> FRACTIONS ± 1/16in ± 1.59mm TOLERANCES ON DECIMALS: <ul style="list-style-type: none"> 1 PLACE 2 PLACE 3 PLACE in ±.030 ±.010 ±.005 mm ±.76 ±.25 ±.13 ANGULAR DIMENSIONS ± 1 DEG REMOVE BURRS BREAK EDGES 0.01in 0.25mm MAX MAX SURFACE ROUGHNESS 12.5 		MATERIAL:	CUSTOMER PART NUMBER:						
		COATING/PLATING:	ALL TECHNICAL DATA ON THIS DRAWING IS THE PROPERTY OF GS GLOBAL RESOURCES INC. AND SHALL NOT BE USED BY OTHERS FOR MANUFACTURE, PROCUREMENT, OR DISCLOSURE WITHOUT THE WRITTEN PERMISSION OF GS GLOBAL RESOURCES INC.						
		CUSTOMER PART NUMBER:	<table border="1"> <tr> <td>SHEET NO:</td> <td>DRAWING NUMBER:</td> <td>REV:</td> </tr> <tr> <td>B</td> <td>GS17122-057</td> <td>A</td> </tr> </table>	SHEET NO:	DRAWING NUMBER:	REV:	B	GS17122-057	A
SHEET NO:	DRAWING NUMBER:	REV:							
B	GS17122-057	A							
		SCALE: 3:5	SHEET INFO: 1 OF 1						