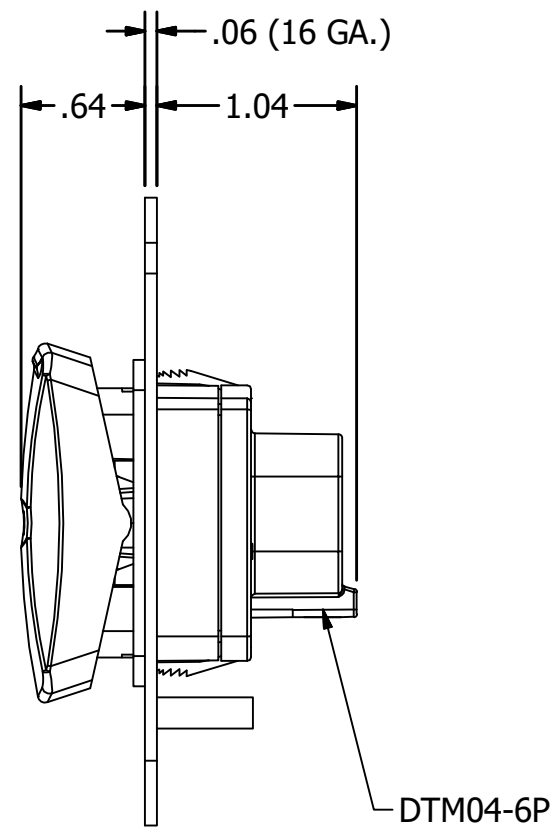
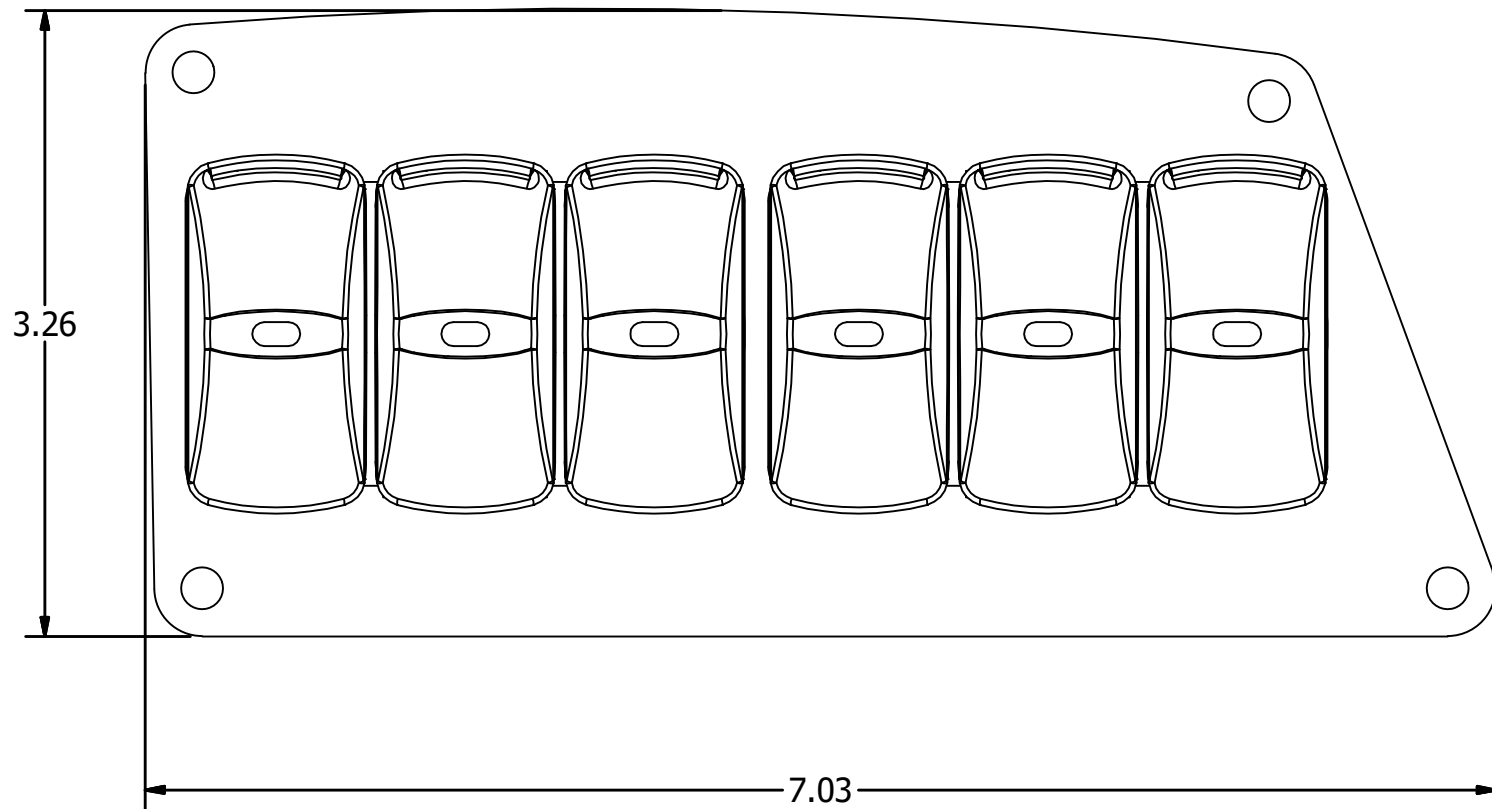
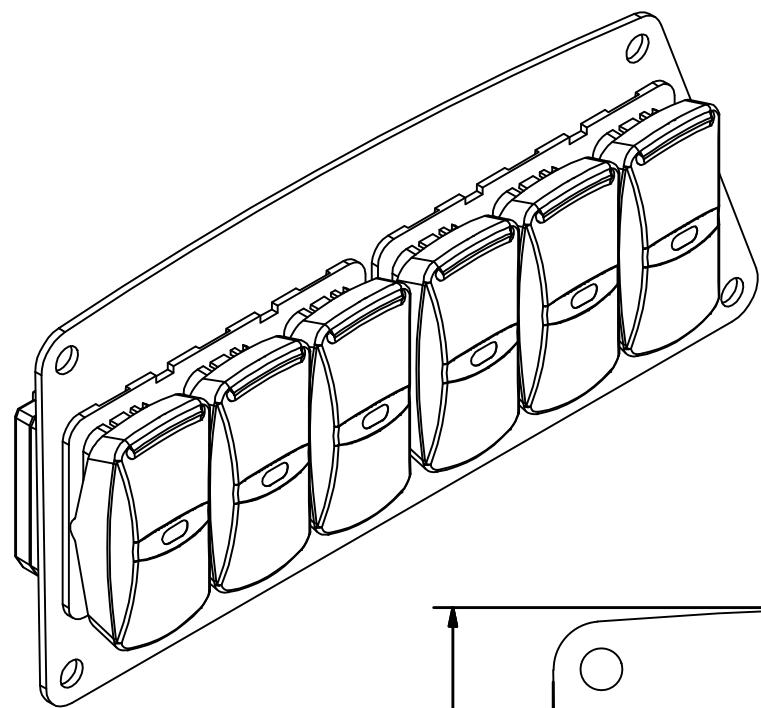


2	1	1	1	1
BUTTONS	COMMAND SIGNAL	CONNECTOR	MATING CONNECTOR	INSTALLATION LOCATION
6 ROCKERS IN 1 BY 6 HORIZONTAL LAYOUT SWITCH PANEL	CAN J1939	DTM04-6P	DTM06-6S	CAB



UNLESS OTHERWISE SPECIFIED DIMENSIONS ARE IN INCHES		ORIGINATED BY: KJOHNSON	 GLOBAL RESOURCES MUKWONAGO, WI 53149
WIRE LENGTH TOLERANCES SPEC = IPC/WHMA-A-620B		ORIGINATION DATE: 7-10-2019	
≤ 1ft +1in -0in	THIRD ANGLE PROJECTION	PROJECT ENGINEER:	DRAWING TITLE: 6 ROCKER RIGHT SIDE SWITCH PANEL
> 1ft-5ft +2in -0in		ACCOUNT MANAGER:	CUSTOMER PART NUMBER:
> 5ft-10ft +4in -0in		MATERIAL:	ALL TECHNICAL DATA ON THIS DRAWING IS THE PROPERTY OF GS GLOBAL RESOURCES INC. AND SHALL NOT BE USED BY OTHERS FOR MANUFACTURE, PROCUREMENT, OR DISCLOSURE WITHOUT THE WRITTEN PERMISSION OF GS GLOBAL RESOURCES INC.
> 10ft-25ft +6in -0in		COATING/PLATING:	SHEET SIZE: B
> 25ft +5% -0%			DRAWING NUMBER: GS17122-055
FRACTIONS ± 1/16in ± 1.59mm			REV: A
TOLERANCES ON DECIMALS:			DRAWING REFERENCE: 1:1
1 PLACE 2 PLACE 3 PLACE			SHEET INFO: 1 OF 1
in ±.030 ±.010 ±.005			
mm ±.76 ±.25 ±.13			
ANGULAR DIMENSIONS ± 1 DEG			
REMOVE BURRS			
BREAK EDGES 0.01in 0.25mm MAX			
MAX SURFACE ROUGHNESS			

TITLE BLOCK REVISION DATE: 10-9-2018