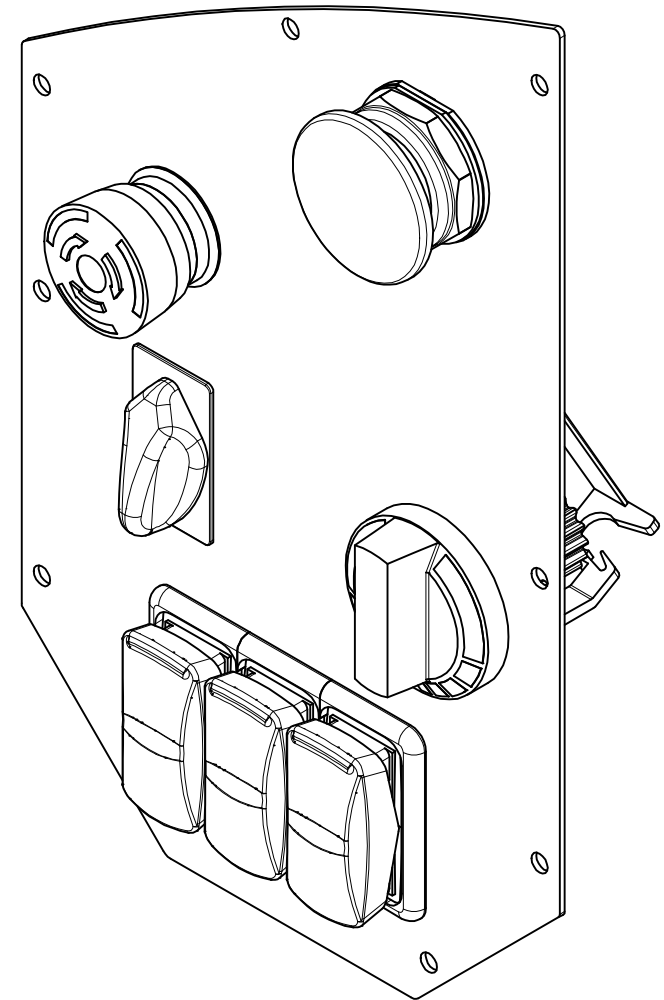
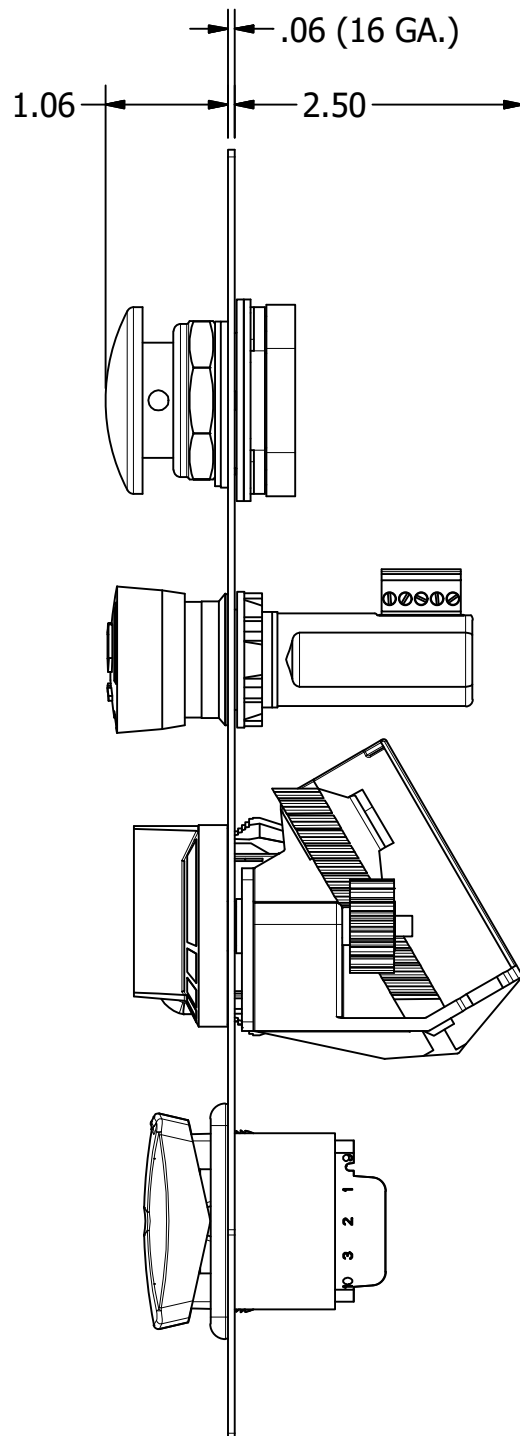
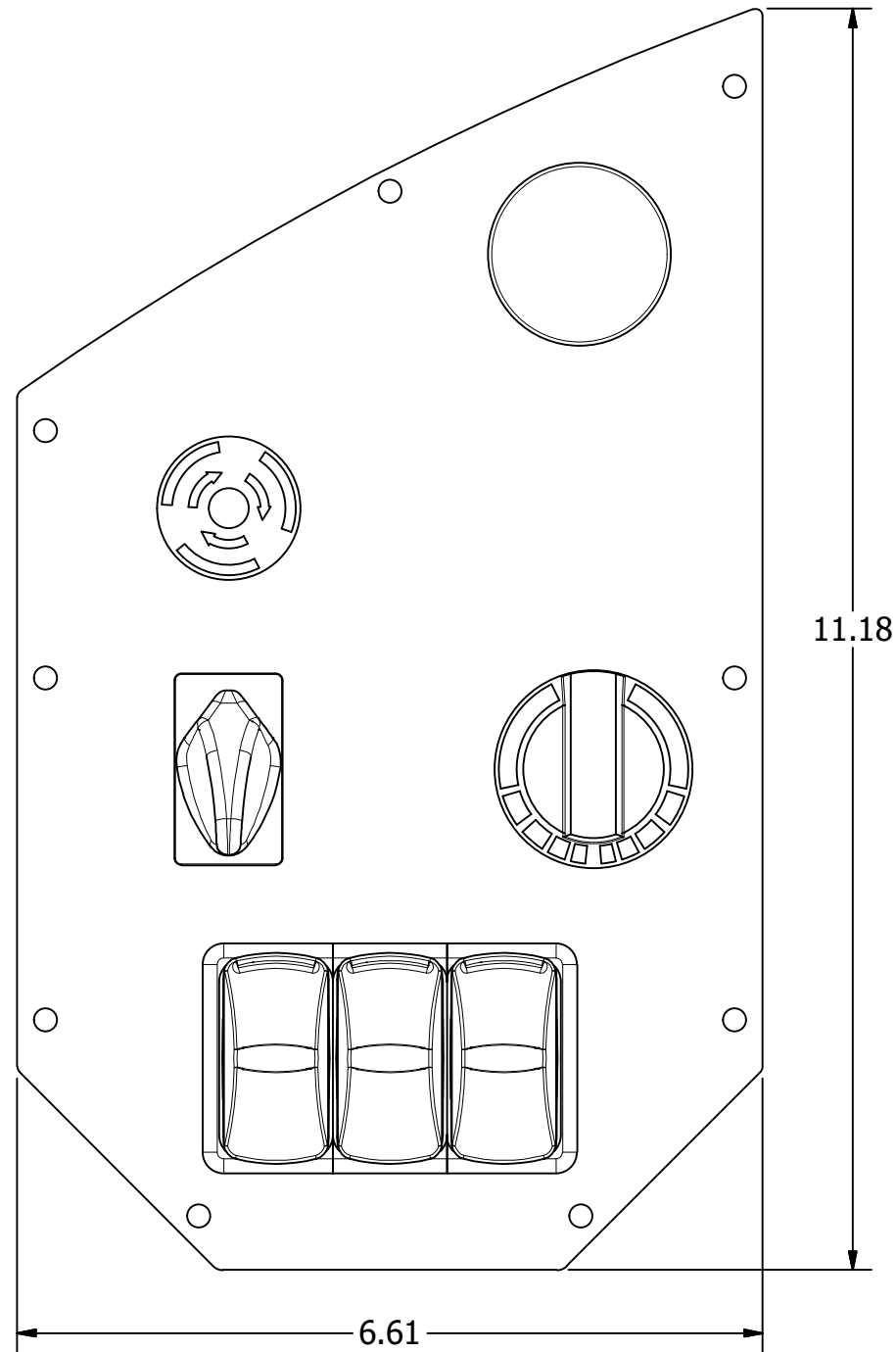


4	3	2	1	1
		BUTTONS	COMMAND SIGNAL	CONNECTOR
		3 ROCKERS WITH MOMENTARY PUSH BUTTON, DETENT ACTUATOR, SEALED ROTARY SWITCH, AND E STOP	CAN J1939	ROCKER
				MATING CONNECTOR
				25-13936
				INSTALLATION LOCATION
				CAB



UNLESS OTHERWISE SPECIFIED DIMENSIONS ARE IN INCHES		ORIGINATED BY: KJOHNSON	
WIRE LENGTH TOLERANCES SPEC = IPC/WHMA-A-620B		ORIGINATION DATE: 7-10-2019	
≤ 1ft	+1in -0in	PROJECT ENGINEER:	DRAWING TITLE: 3 ROCKERS WITH MOMENTARY PUSH BUTTON, DETENT ACTUATOR, SEALED ROTARY SWITCH, AND E STOP
> 1ft-5ft	+2in -0in	ACCOUNT MANAGER:	
> 5ft-10ft	+4in -0in	MATERIAL:	
> 10ft-25ft	+6in -0in	COATING/PLATING:	
> 25ft	+5% -0%	CUSTOMER PART NUMBER:	
- FRACTIONS ± 1/16in ± 1.59mm		ALL TECHNICAL DATA ON THIS DRAWING IS THE PROPERTY OF GS GLOBAL RESOURCES INC. AND SHALL NOT BE USED BY OTHERS FOR MANUFACTURE, PROCUREMENT, OR DISCLOSURE WITHOUT THE WRITTEN PERMISSION OF GS GLOBAL RESOURCES INC.	
- TOLERANCES ON DECIMALS:		SHT SIZE: B	DRAWING NUMBER: GS17122-054
1 PLACE	2 PLACE	3 PLACE	REV: A
in ± .030	± .010	± .005	
mm ± .76	± .25	± .13	
- ANGULAR DIMENSIONS ± 1 DEG		DRAWING REFERENCE:	SCALE: 3:5
- REMOVE BURRS			SHEET INFO: 1 OF 1
- BREAK EDGES 0.01in 0.25mm MAX			
- MAX SURFACE ROUGHNESS 12.5			