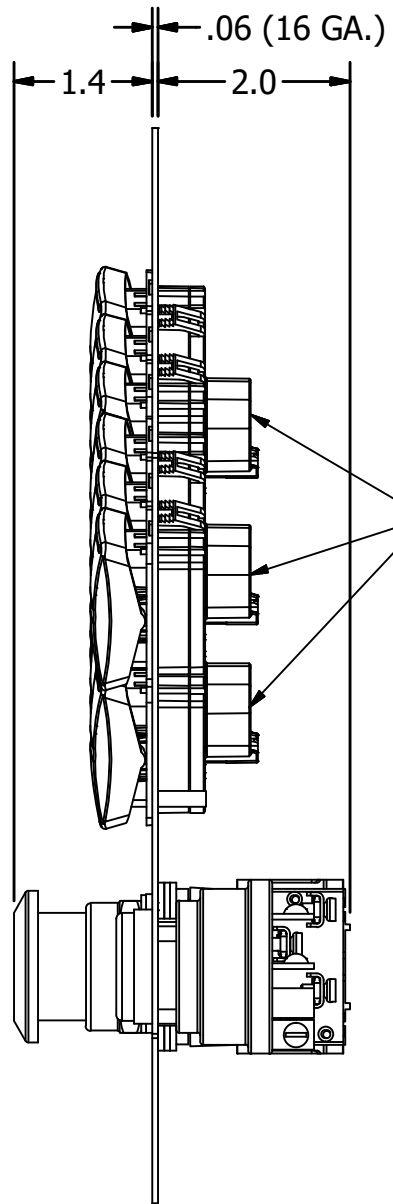
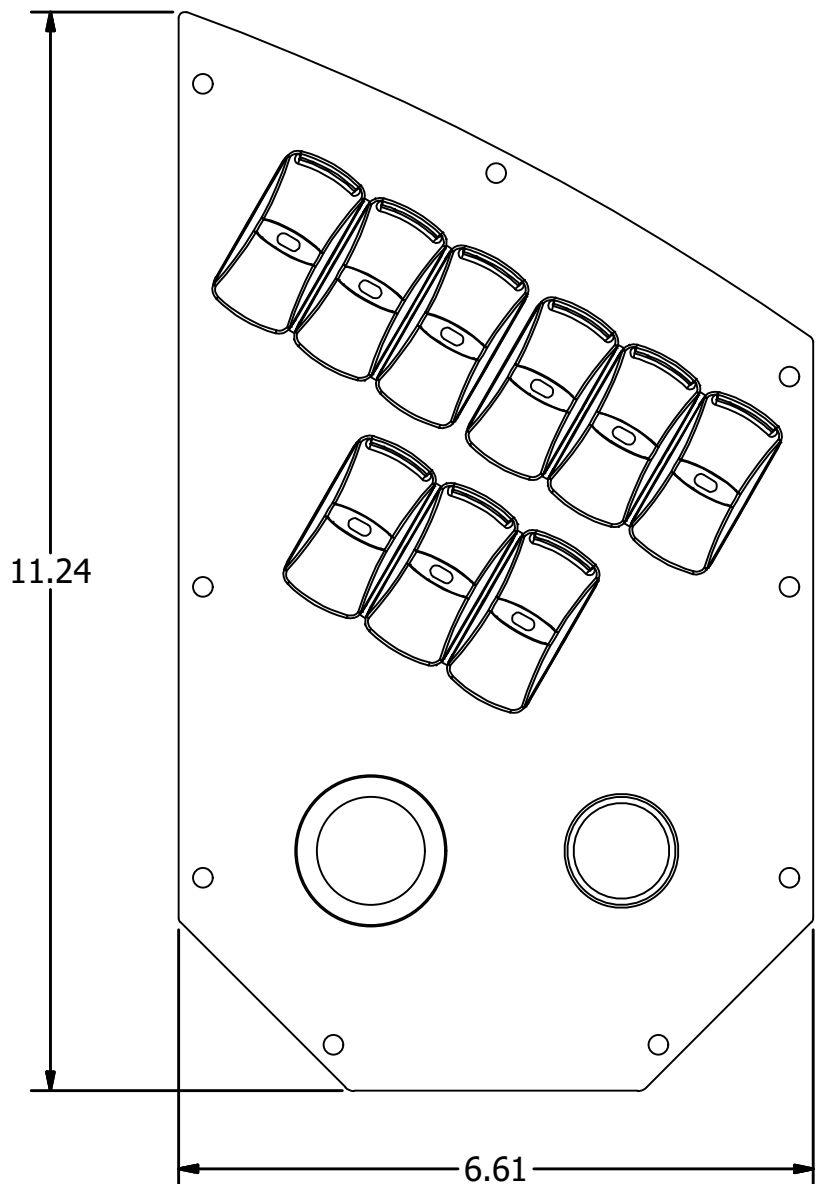
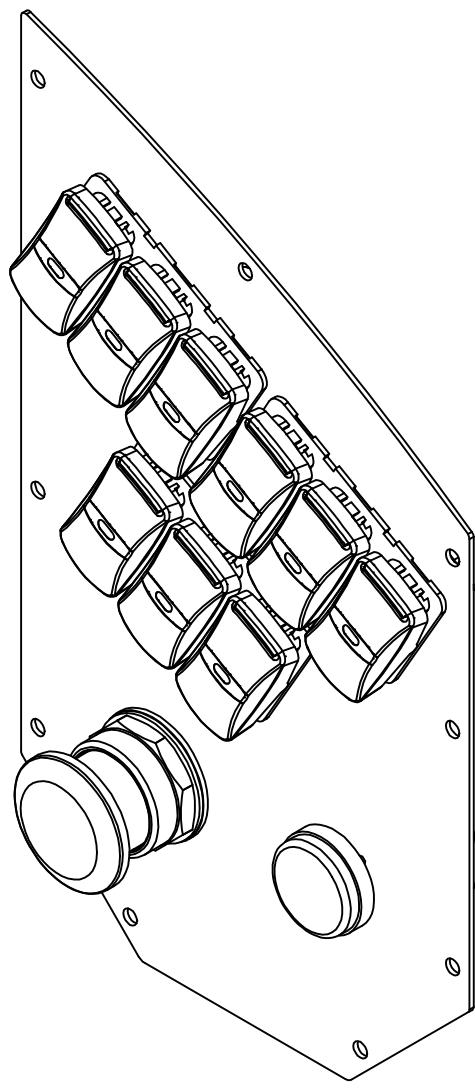


4	3	2	1	1
BUTTONS		COMMAND SIGNAL	CONNECTOR	MATING CONNECTOR
9 ROCKER SWITCH PANEL WITH A PUSH/PULL BUTTON		CAN J1939	DTM04-6P	DTM06-6S
				INSTALLATION LOCATION
				CAB



CONNECTOR:
DTM04-6P



UNLESS OTHERWISE SPECIFIED DIMENSIONS ARE IN INCHES		ORIGINATED BY: KJOHNSON	<p>GLOBAL RESOURCES MUKWONAGO, WI 53149</p>
WIRE LENGTH TOLERANCES SPEC = IPC/WHMA-A-620B		ORIGINATION DATE: 7-10-2019	
≤ 1ft +1in -0in 1ft-5ft +2in -0in > 5ft-10ft +4in -0in > 10ft-25ft +6in -0in > 25ft +5% -0%	THIRD ANGLE PROJECTION	PROJECT ENGINEER:	DRAWING TITLE: 9 ROCKERS AND PUSH/PULL BUTTON SWITCH PANEL
- FRACTIONS ± 1/16in ± 1.59mm - TOLERANCES ON DECIMALS: 1 PLACE 2 PLACE 3 PLACE in ±.030 ±.010 ±.005 mm ±.76 ±.25 ±.13 - ANGULAR DIMENSIONS ± 1 DEG - REMOVE BURRS - BREAK EDGES 0.01in 0.25mm MAX - MAX SURFACE ROUGHNESS 12.5		ACCOUNT MANAGER:	SHEET SIZE: B
		MATERIAL:	DRAWING NUMBER: GS17122-053
		COATING/PLATING:	REV: A
		CUSTOMER PART NUMBER:	DRAWING REFERENCE: 1:2
		ALL TECHNICAL DATA ON THIS DRAWING IS THE PROPERTY OF GS GLOBAL RESOURCES INC. AND SHALL NOT BE USED BY OTHERS FOR MANUFACTURE, PROCUREMENT, OR DISCLOSURE WITHOUT THE WRITTEN PERMISSION OF GS GLOBAL RESOURCES INC.	SHEET INFO: 1 OF 1

TITLE BLOCK REVISION DATE: 10-9-2018