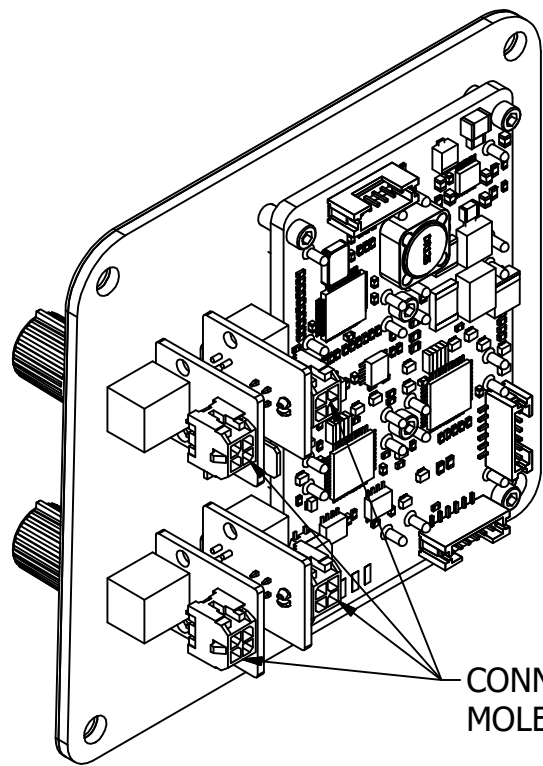
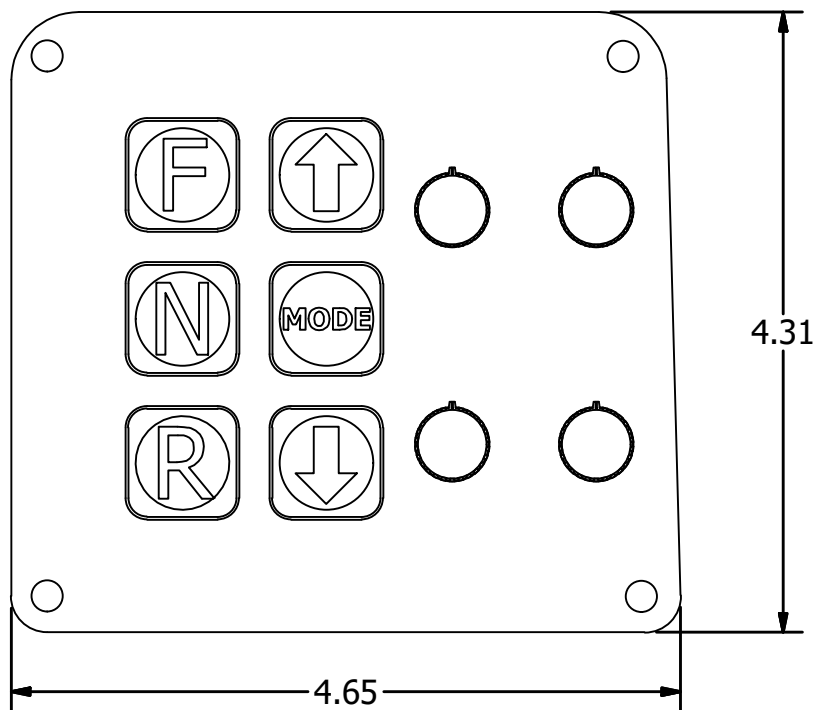
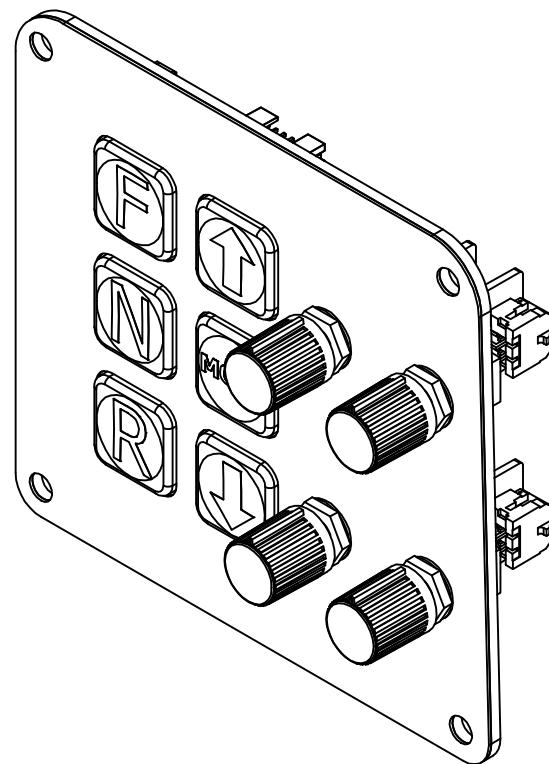
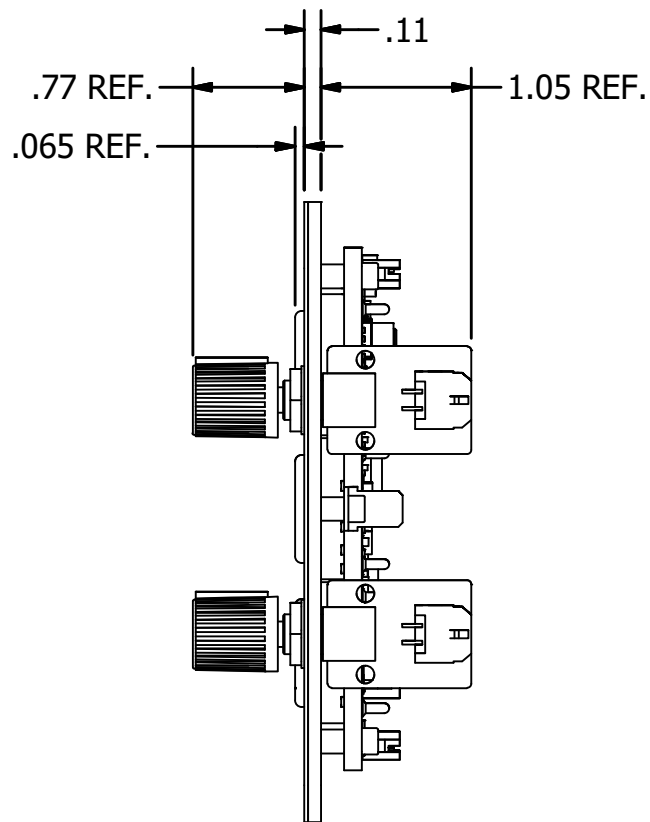


2	1	1	1	1
BUTTONS	COMMAND SIGNAL	CONNECTOR	MATING CONNECTOR	INSTALLATION LOCATION
6 BUTTONS IN 2 BY 3 CONFIGURATION WITH 4 HIGH VISIBILITY POTENIOMETERS SWITCH PANEL	CAN J1939	MOLEX 430450400	MOLEX 430250400	CAB



CONNECTOR:
MOLEX 430450400



UNLESS OTHERWISE SPECIFIED DIMENSIONS ARE IN INCHES		ORIGINATED BY: KJOHNSON	GLOBAL RESOURCES MUKWONAGO, WI 53149
WIRE LENGTH TOLERANCES SPEC = IPC/WHMA-A-620B		ORIGINATION DATE: 7-9-2019	
≤ 1ft +1in -0in > 1ft-5ft +2in -0in > 5ft-10ft +4in -0in > 10ft-25ft +6in -0in > 25ft +5% -0%	THIRD ANGLE PROJECTION	PROJECT ENGINEER:	DRAWING TITLE: 4 HIGH VISIBILITY POTENIOMETER KNOBS WITH 6 PUSH BUTTONS
FRACTIONS ± 1/16in ± 1.59mm		ACCOUNT MANAGER:	MATERIAL:
TOLERANCES ON DECIMALS:		COATING/PLATING:	CUSTOMER PART NUMBER:
1 PLACE ±.030	2 PLACE ±.010	3 PLACE ±.005	ALL TECHNICAL DATA ON THIS DRAWING IS THE PROPERTY OF GS GLOBAL RESOURCES INC. AND SHALL NOT BE USED BY OTHERS FOR MANUFACTURE, PROCUREMENT, OR DISCLOSURE WITHOUT THE WRITTEN PERMISSION OF GS GLOBAL RESOURCES INC.
- ANGULAR DIMENSIONS ± 1 DEG - REMOVE BURRS - BREAK EDGES 0.01in 0.25mm MAX - MAX SURFACE ROUGHNESS 12.5		SHEET SIZE: B DRAWING NUMBER: GS17122-048 SCALE: 3:4 SHEET INFO: 1 OF 1	REV: A TITLE BLOCK REVISION DATE: 10-9-2018