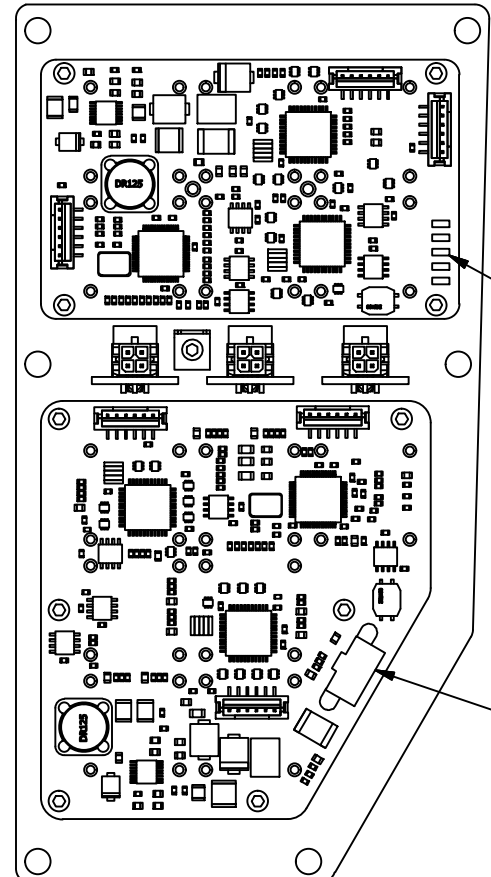
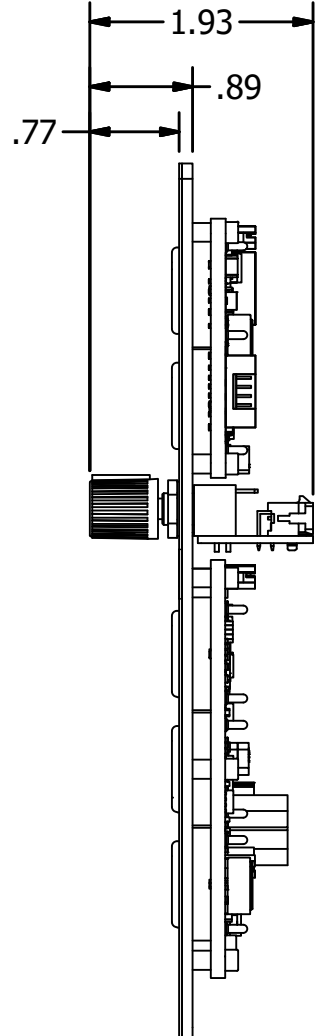
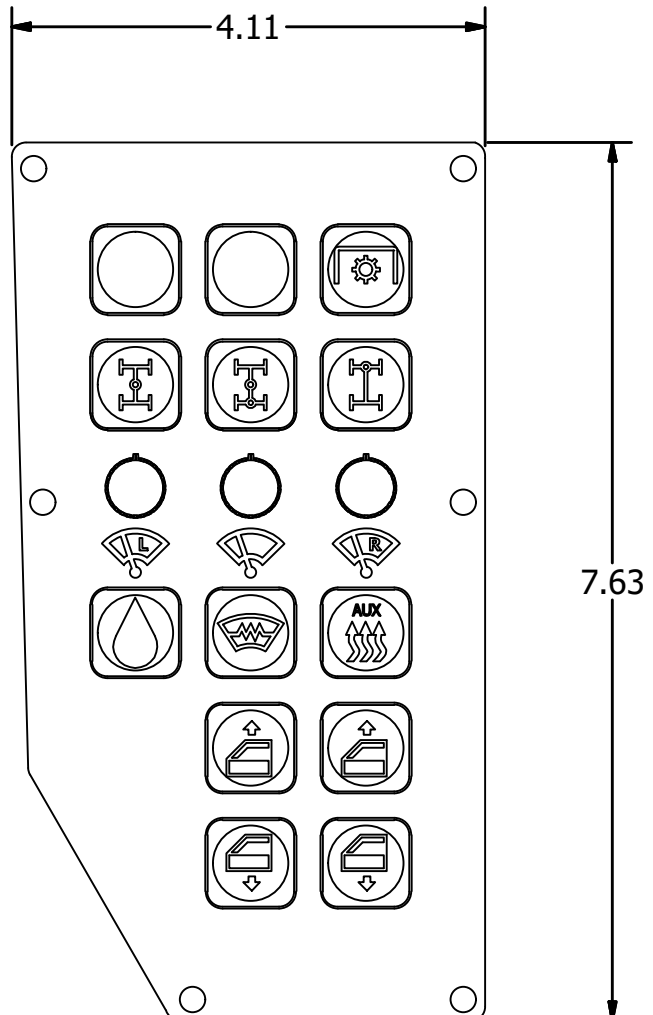


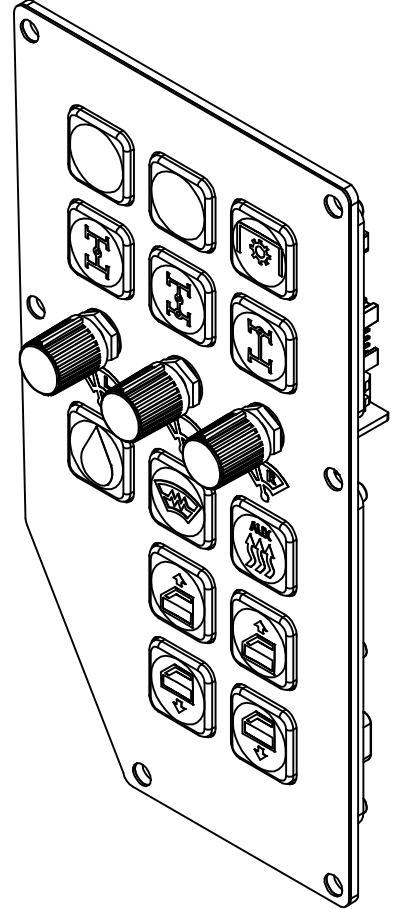
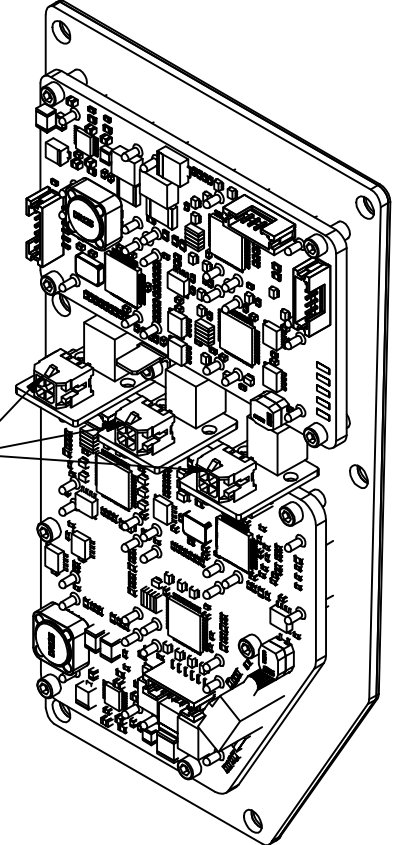
1	2	3	4
INSTALLATION LOCATION	MATING CONNECTOR	CONNECTOR	COMMAND SIGNAL
CAB	430250400 DT06-4S-C015 39-01-2060	430450400 DT04-4P-C015 46207-0206	CAN J1939
			5
			6
			7
			8
			9
			10
			11
			12
			13
			14
			15
			16
			17
			18
			19
			20
			21
			22
			23
			24
			25
			26
			27
			28
			29
			30
			31
			32
			33
			34
			35
			36
			37
			38
			39
			40
			41
			42
			43
			44
			45
			46
			47
			48
			49
			50
			51
			52
			53
			54
			55
			56
			57
			58
			59
			60
			61
			62
			63
			64
			65
			66
			67
			68
			69
			70
			71
			72
			73
			74
			75
			76
			77
			78
			79
			80
			81
			82
			83
			84
			85
			86
			87
			88
			89
			90
			91
			92
			93
			94
			95
			96
			97
			98
			99
			100



CONNECTOR:
MOLEX 430450400

LEADS FOR:
DT04-4P-C015

CONNECTOR:
46207-0206



UNLESS OTHERWISE SPECIFIED DIMENSIONS ARE IN INCHES		ORIGINATED BY: KJOHNSON	 GLOBAL RESOURCES MUKWONAGO, WI 53149
WIRE LENGTH TOLERANCES SPEC = IPC/WHMA-A-620B		ORIGINATION DATE: 7-9-2019	
≤ 1ft	+1in -0in	PROJECT ENGINEER:	DRAWING TITLE: 3 HIGH VISIBILITY KNOBS AND 13 BUTTONS SWITCH PANEL
> 1ft-5ft	+2in -0in	ACCOUNT MANAGER:	
> 5ft-10ft	+4in -0in	MATERIAL:	SHIT SIZE: DRAWING NUMBER: REV: A DRAWING REFERENCE: SCALE: 3:5 SHEET INFO: 1 OF 1
> 10ft-25ft	+6in -0in	COATING/PLATING:	
> 25ft	+5% -0%	CUSTOMER PART NUMBER:	ALL TECHNICAL DATA ON THIS DRAWING IS THE PROPERTY OF GS GLOBAL RESOURCES INC. AND SHALL NOT BE USED BY OTHERS FOR MANUFACTURE, PROCUREMENT, OR DISCLOSURE WITHOUT THE WRITTEN PERMISSION OF GS GLOBAL RESOURCES INC.
FRACTIONS ± 1/16in ± 1.59mm			
TOLERANCES ON DECIMALS:			
1 PLACE	2 PLACE	3 PLACE	
in ± .030	± .010	± .005	
mm ± .76	± .25	± .13	
ANGULAR DIMENSIONS ± 1 DEG			
REMOVE BURRS			
BREAK EDGES 0.01in 0.25mm MAX			
MAX SURFACE ROUGHNESS 12.5			