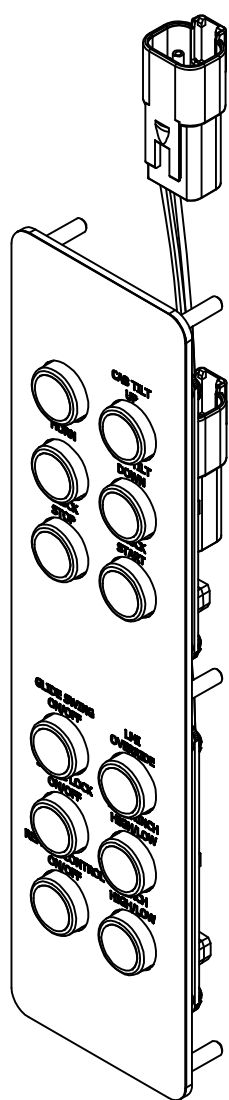
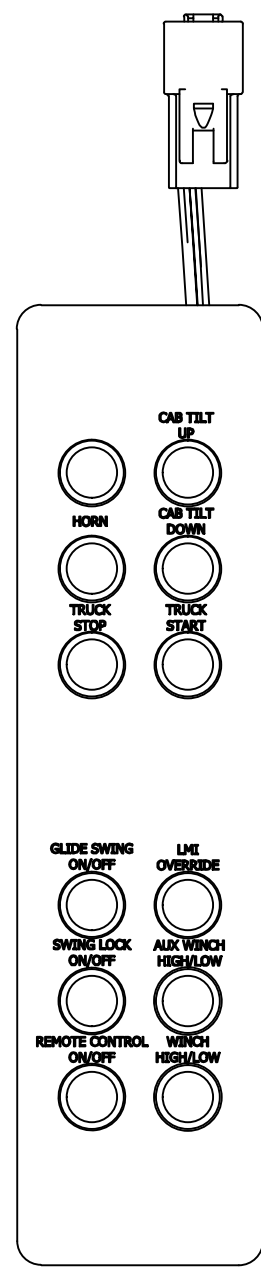
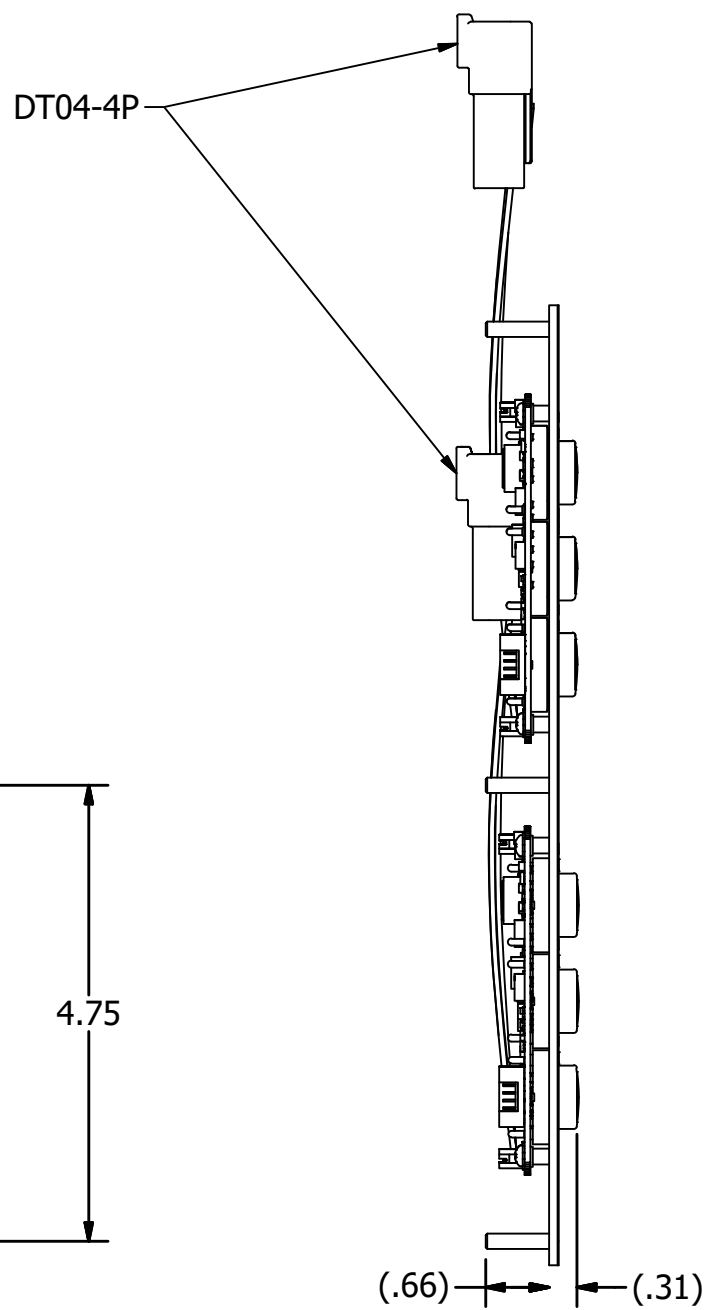
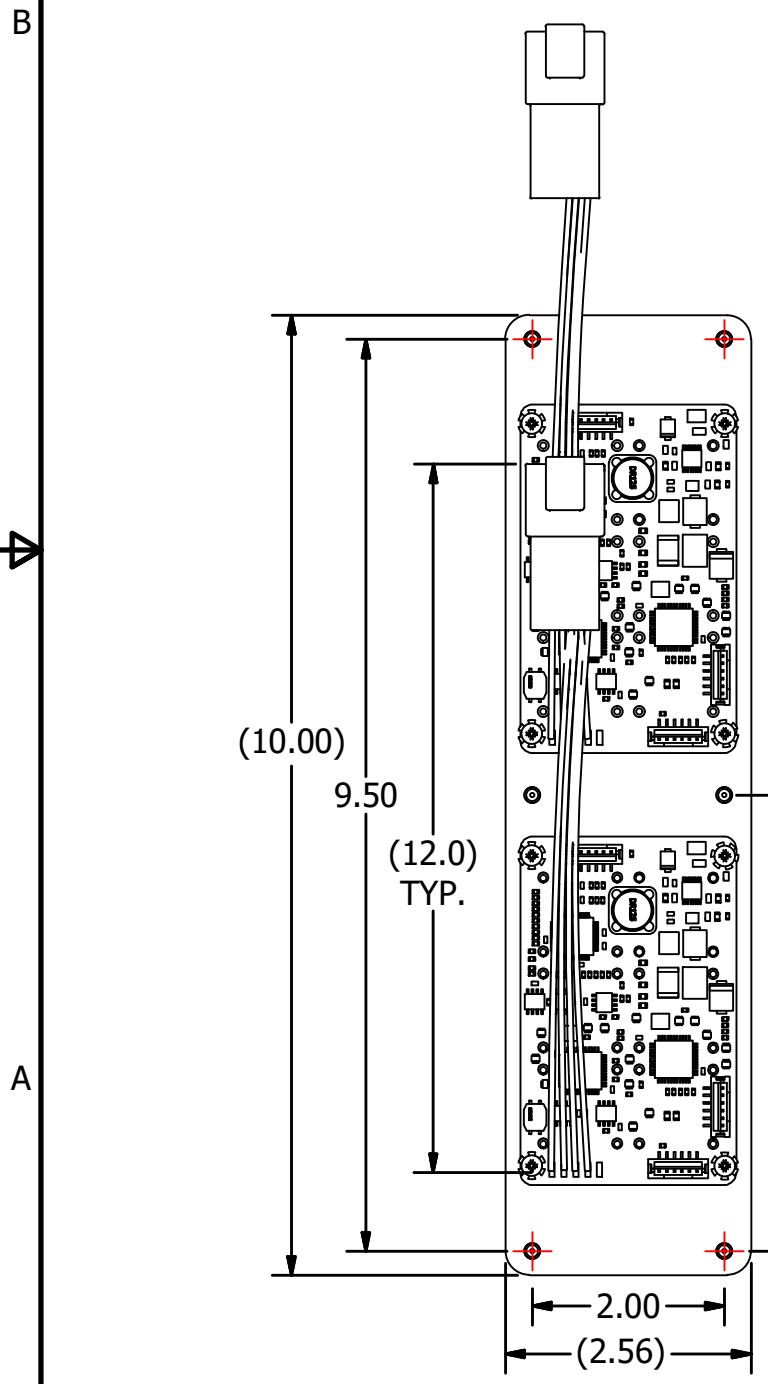


4	3	2	1	1		
		BUTTONS	COMMAND SIGNAL	CONNECTOR	MATING CONNECTOR	INSTALLATION LOCATION
		12 BUTTON IN 2 SETS OF 2 BY 3 BUTTON LAYOUT SWITCH PANEL	CAN J1939	DT04-4P	DT04-4S	CAB



UNLESS OTHERWISE SPECIFIED DIMENSIONS ARE IN INCHES		ORIGINATED BY: KJOHNSON	
WIRE LENGTH TOLERANCES SPEC = IPC/WHMA-A-620B		ORIGINATION DATE: 7-9-2019	
THIRD ANGLE PROJECTION		PROJECT ENGINEER:	DRAWING TITLE: 12 BUTTONS IN 2 SETS OF 2 BY 3 CONFIGURATION SWITCH PANEL
- FRACTIONS ± 1/16in ± 1.59mm		ACCOUNT MANAGER:	
- TOLERANCES ON DECIMALS:		MATERIAL:	SHEET SIZE: DRAWING NUMBER: REV: A
1 PLACE 2 PLACE 3 PLACE		COATING/PLATING:	
in ± .030 ± .010 ± .005		CUSTOMER PART NUMBER:	SHEET INFO: DRAWING REFERENCE: SCALE: 1:2 SHEET INFO: 1 OF 1
mm ± .76 ± .25 ± .13		ALL TECHNICAL DATA ON THIS DRAWING IS THE PROPERTY OF GS GLOBAL RESOURCES INC. AND SHALL NOT BE USED BY OTHERS FOR MANUFACTURE, PROCUREMENT, OR DISCLOSURE WITHOUT THE WRITTEN PERMISSION OF GS GLOBAL RESOURCES INC.	
- ANGULAR DIMENSIONS ± 1 DEG			
- REMOVE BURRS			
- BREAK EDGES 0.01in 0.25mm MAX			
- MAX SURFACE ROUGHNESS 12.5			

TITLE BLOCK REVISION DATE: 10-9-2018