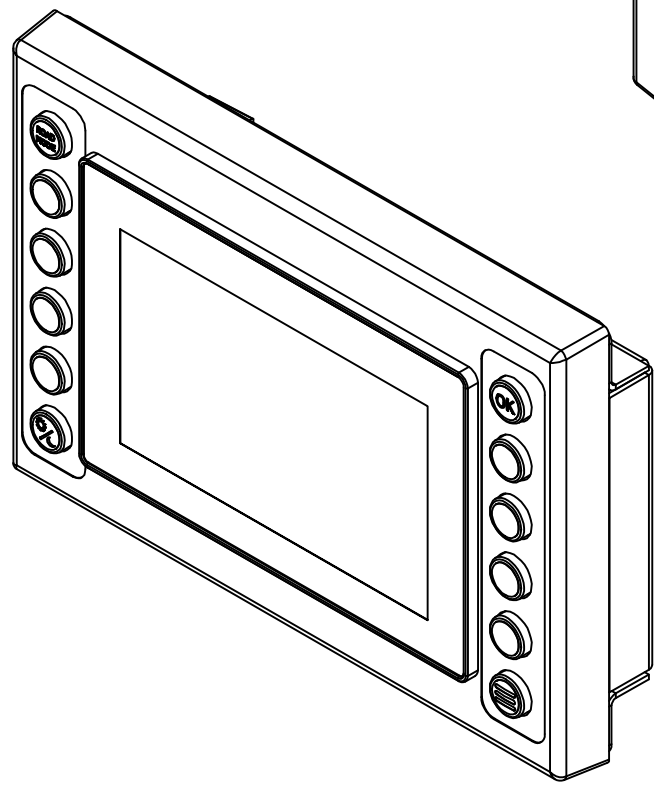
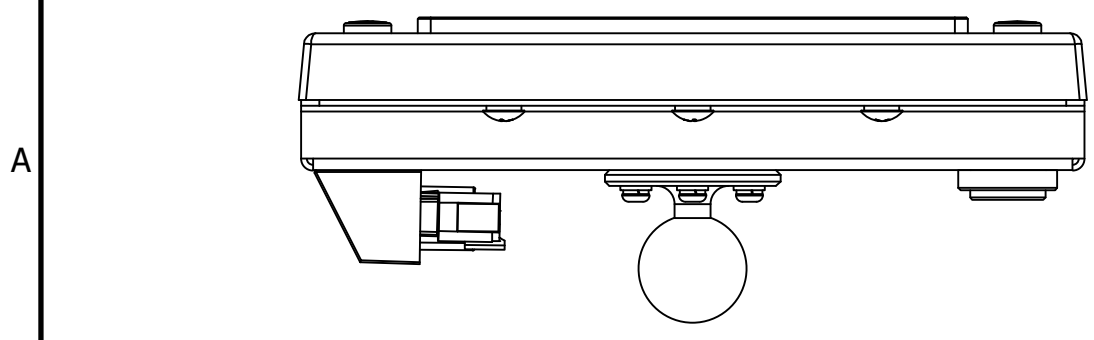
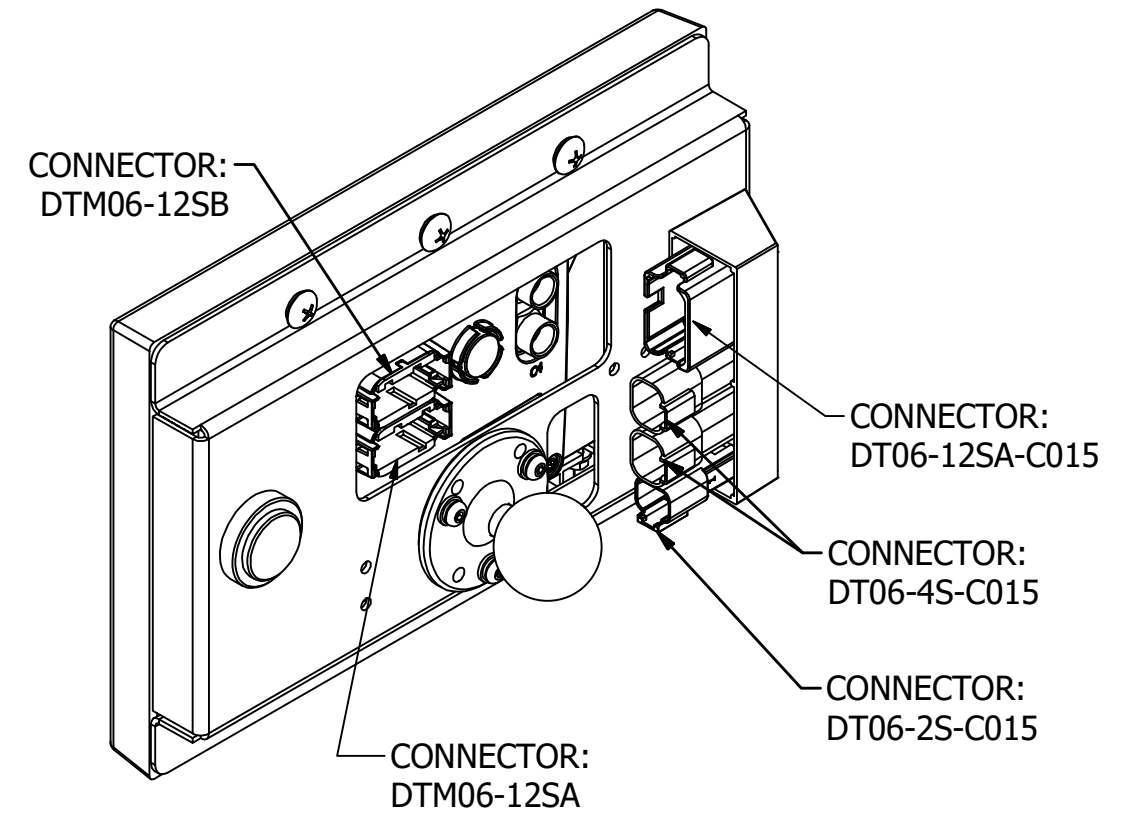
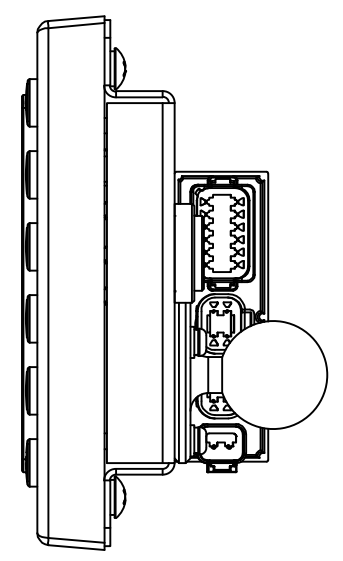
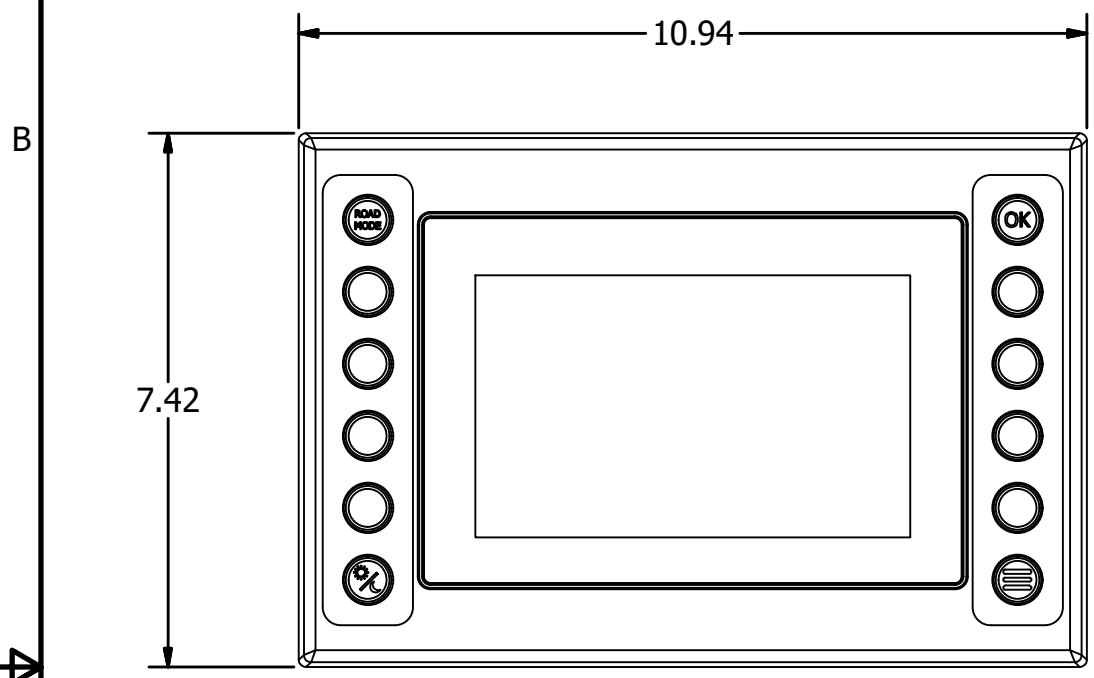


4	3	2	1	1		
		BUTTONS	COMMAND SIGNAL	CONNECTOR	MATING CONNECTOR	INSTALLATION LOCATION
		12 BUTTON PANEL WITH MD4 DISPLAY TWO 1 BY 6 BUTTON PANELS	CAN J1939	DT06-12SA DT06-12SB DT06-4S-C015 DT06-2S-C015	DT04-12PA DT04-12PB DT04-4P-C015 DT04-2P-C015	CAB



UNLESS OTHERWISE SPECIFIED DIMENSIONS ARE IN INCHES		ORIGINATED BY: KJOHNSON	GLOBAL RESOURCES MUKWONAGO, WI 53149
WIRE LENGTH TOLERANCES SPEC.= IPC/WHMA-A-620B		ORIGINATION DATE: 7-2-2019	
≤ 1ft +1in -0in > 1ft-5ft +2in -0in > 5ft-10ft +4in -0in > 10ft-25ft +6in -0in > 25ft +5% -0%	THIRD ANGLE PROJECTION	PROJECT ENGINEER:	DRAWING TITLE: MD4 BEZEL ASSEMBLY WITH 5 COLOR LEDS AND TWO SETS OF 1 BY 6 BUTTON SWITCH PANEL
FRACTIONS ± 1/16in ± 1.59mm		ACCOUNT MANAGER:	SHEET NUMBER: B
TOLERANCES ON DECIMALS:		MATERIAL:	DRAWING NUMBER: GS17122-033
1 PLACE ±.030	2 PLACE ±.010	COATING/PLATING:	SCALE: 3:8
3 PLACE ±.005	mm ±.76	CUSTOMER PART NUMBER:	SHEET INFO: 1 OF 1
ANGULAR DIMENSIONS ± 1 DEG		ALL TECHNICAL DATA ON THIS DRAWING IS THE PROPERTY OF GS GLOBAL RESOURCES INC. AND SHALL NOT BE USED BY OTHERS FOR MANUFACTURE, PROCUREMENT, OR DISCLOSURE WITHOUT THE WRITTEN PERMISSION OF GS GLOBAL RESOURCES INC.	REV: A
REMOVE BURRS			
BREAK EDGES 0.01in 0.25mm MAX			
MAX SURFACE ROUGHNESS 12.5			

TITLE BLOCK REVISION DATE: 10-9-2018