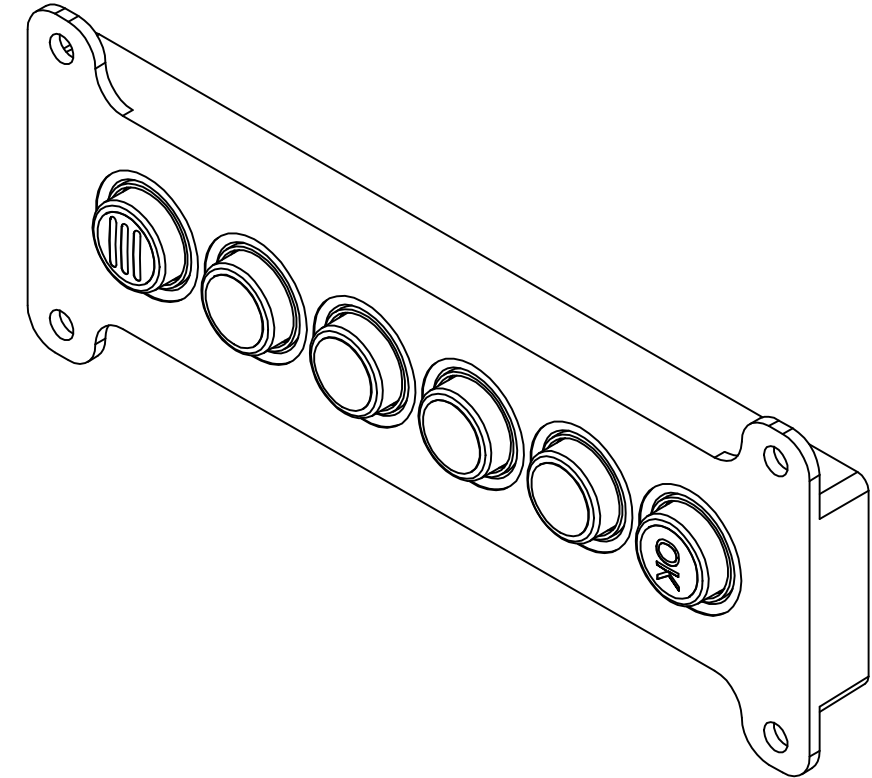
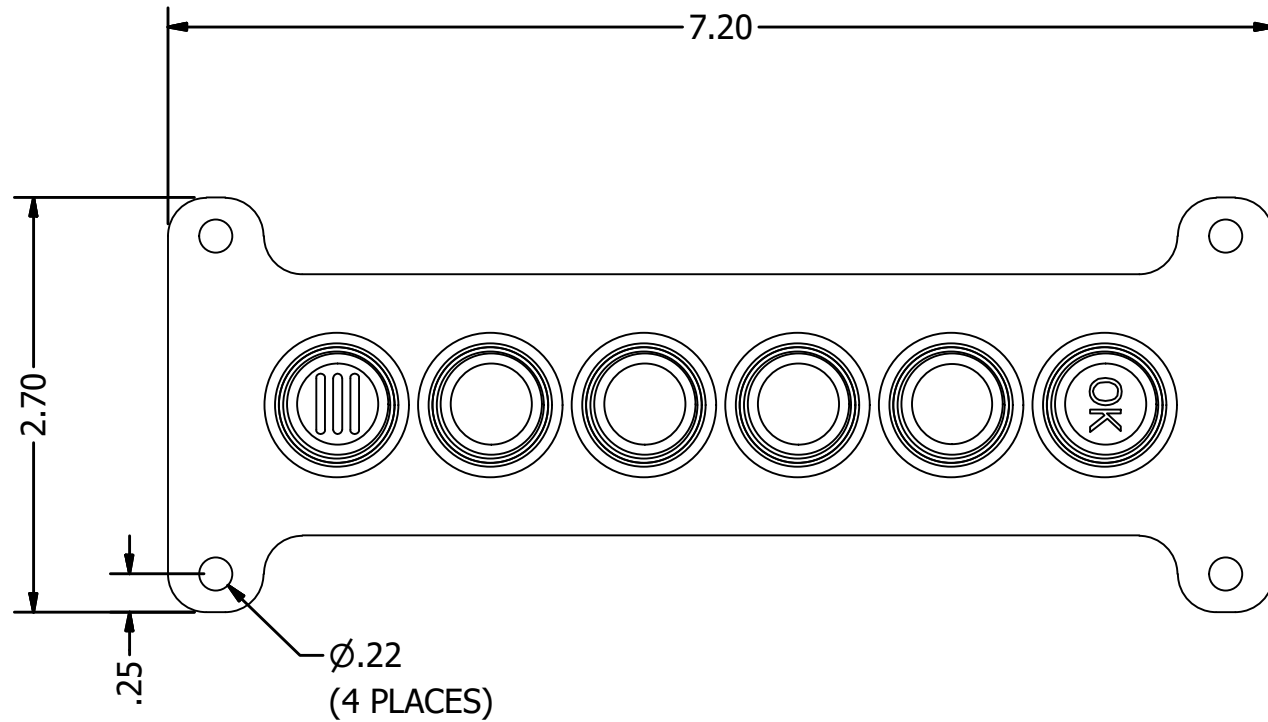
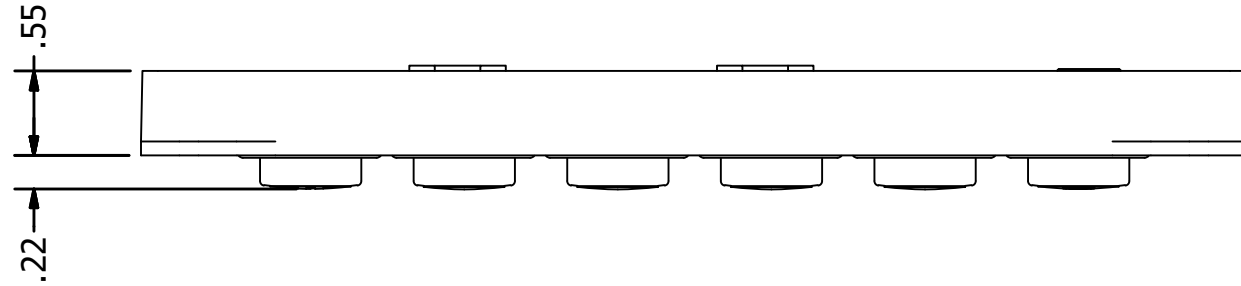



2	1	1	1	1
BUTTONS	COMMAND SIGNAL	CONNECTOR	MATING CONNECTOR	INSTALLATION LOCATION
6 ROUND BUTTONS 1 BY 6 SWITCH PANEL	CAN J1939	NONE	NONE	OUTSIDE- POTTED



UNLESS OTHERWISE SPECIFIED DIMENSIONS ARE IN INCHES		ORIGINATED BY: KJOHNSON	 GLOBAL RESOURCES MUKWONAGO, WI 53149
WIRE LENGTH TOLERANCES SPEC= IPC/WHMA-A-620B		ORIGINATION DATE: 7-2-2019	
≤ 1ft +1in -0in 1ft-5ft +2in -0in > 5ft-10ft +4in -0in > 10ft-25ft +6in -0in > 25ft +5% -0%	THIRD ANGLE PROJECTION	PROJECT ENGINEER:	DRAWING TITLE: 6 ROUND BUTTONS 1 BY 6 SWITCH PANEL WITHOUT CONNECTOR
- FRACTIONS ± 1/16in ± 1.59mm - TOLERANCES ON DECIMALS: 1 PLACE 2 PLACE 3 PLACE in ± .030 ± .010 ± .005 mm ± .76 ± .25 ± .13 - ANGULAR DIMENSIONS ± 1 DEG - REMOVE BURRS - BREAK EDGES 0.01in 0.25mm MAX - MAX SURFACE ROUGHNESS 12.5		ACCOUNT MANAGER:	SHIT SIZE: B DRAWING NUMBER: GS17122-032 REV: A
		MATERIAL:	SCALE: 4:5 SHEET INFO: 1 OF 1
		COATING/PLATING:	
		CUSTOMER PART NUMBER:	
		ALL TECHNICAL DATA ON THIS DRAWING IS THE PROPERTY OF GS GLOBAL RESOURCES INC. AND SHALL NOT BE USED BY OTHERS FOR MANUFACTURE, PROCUREMENT, OR DISCLOSURE WITHOUT THE WRITTEN PERMISSION OF GS GLOBAL RESOURCES INC.	

TITLE BLOCK REVISION DATE: 10-9-2018