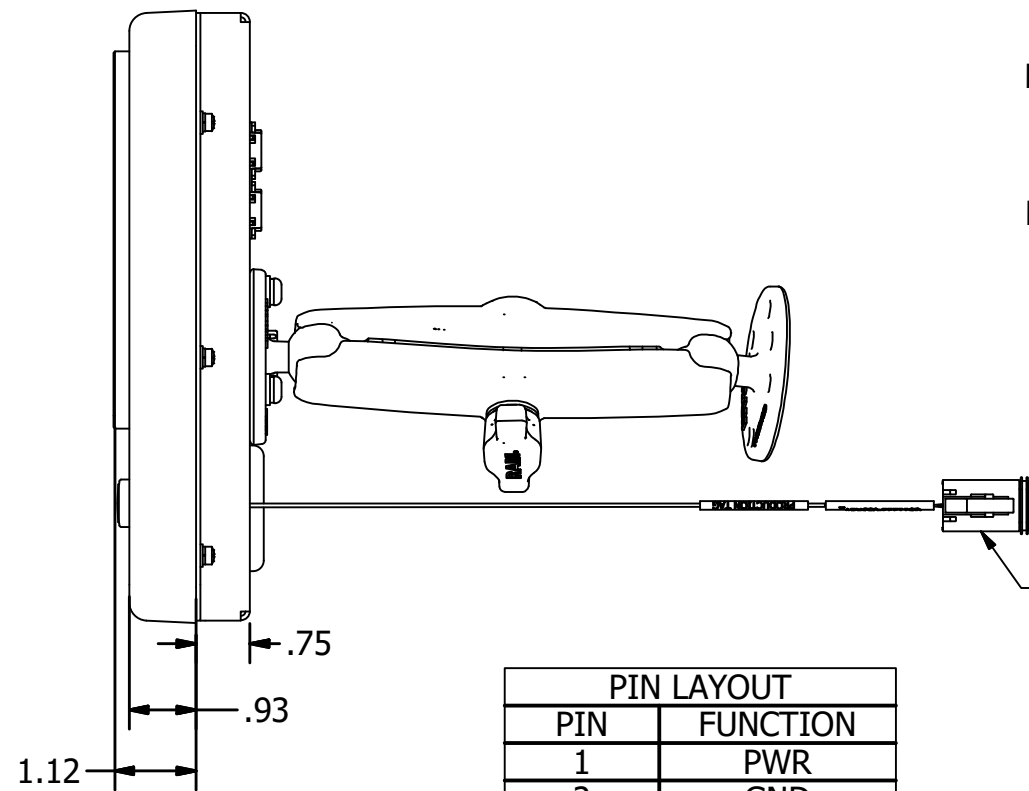
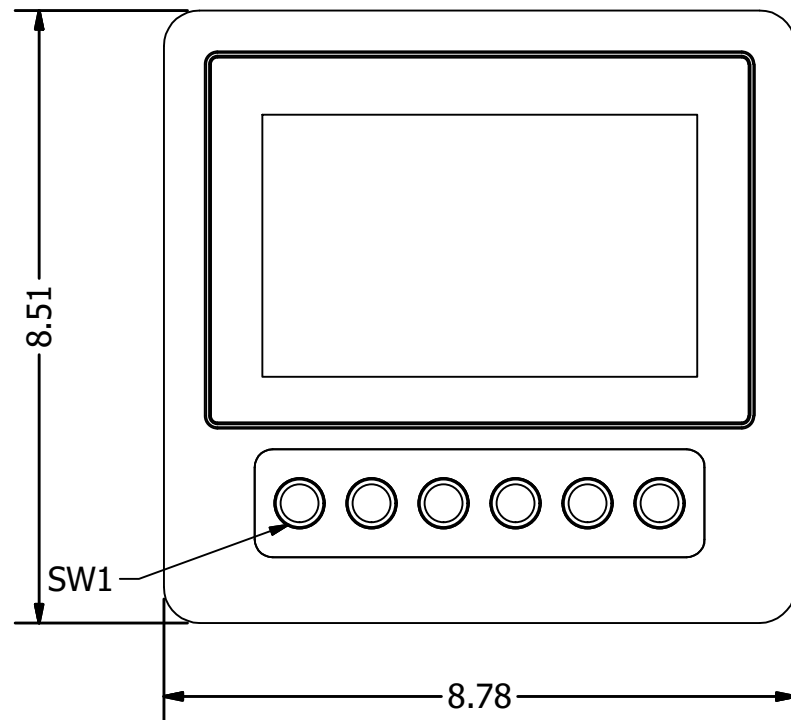
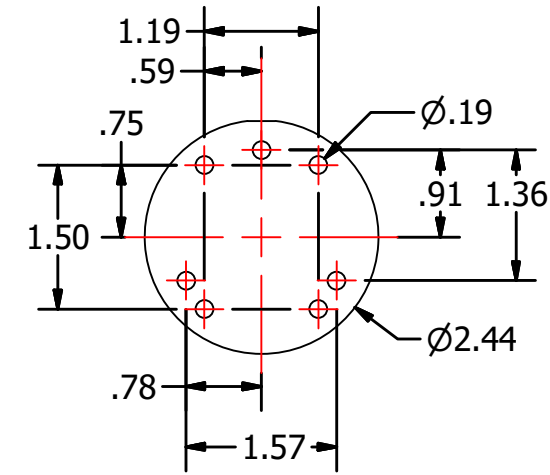
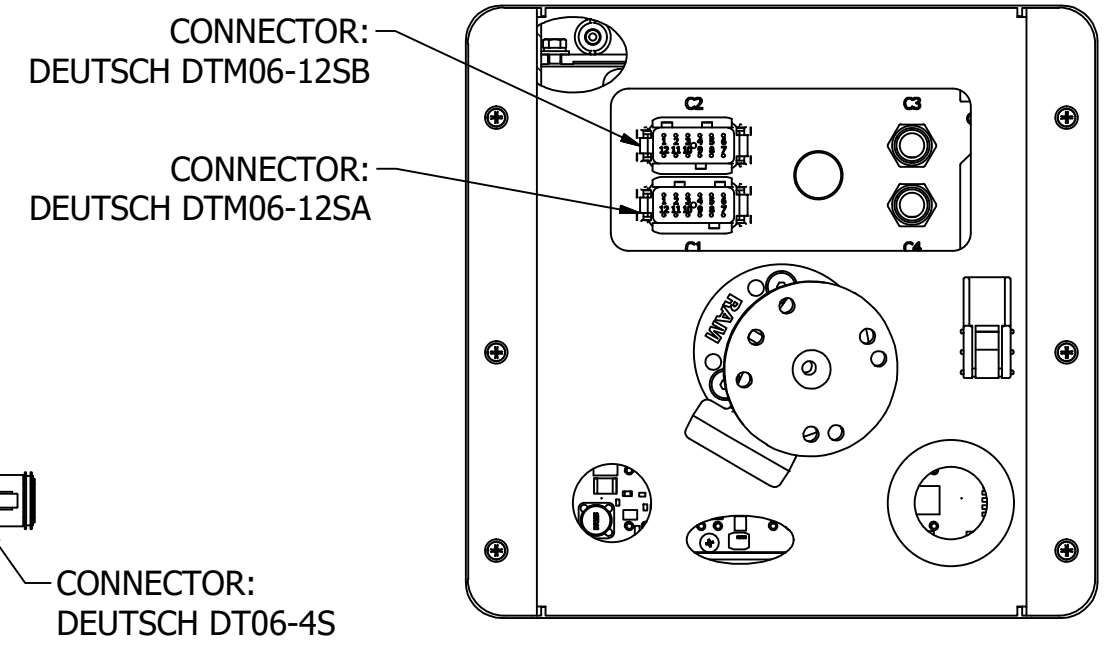


2	1	1	1	1
BUTTONS	COMMAND SIGNAL	CONNECTOR	MATING CONNECTOR	INSTALLATION LOCATION
6 BUTTON 1 BY 6 HORIZONTAL ROW SWITCH PANEL	CAN J1939	DT06-4S-C015 DTM06-12SB DTM06-12SA	DT04-4P DTM04-12PB DTM04-12PA	CAB

RAM MOUNTING HOLE PATTERN



PIN LAYOUT	
PIN	FUNCTION
1	PWR
2	GND
3	CAN-H
4	CAN-L



UNLESS OTHERWISE SPECIFIED DIMENSIONS ARE IN INCHES WIRE LENGTH TOLERANCES SPEC = IPC/WHMA-A-620B ≤ 1ft +1in -0in > 1ft-5ft +2in -0in > 5ft-10ft +4in -0in > 10ft-25ft +6in -0in > 25ft +5% -0% FRACTIONS ± 1/16in ± 1.59mm TOLERANCES ON DECIMALS: 1 PLACE 2 PLACE 3 PLACE in ±.030 ±.010 ±.005 mm ±.76 ±.25 ±.13 ANGULAR DIMENSIONS ± 1 DEG REMOVE BURRS BREAK EDGES 0.01in 0.25mm MAX MAX SURFACE ROUGHNESS 12.5	ORIGINATED BY: KJOHNSON ORIGINATION DATE: 7-2-2019 PROJECT ENGINEER: ACCOUNT MANAGER: MATERIAL: COATING/PLATING: CUSTOMER PART NUMBER:	<p>GLOBAL RESOURCES MUKWONAGO, WI 53149</p> <p>DRAWING TITLE: MD4 BEZEL ASSEMBLY WITH 6 ROUND 5 COLOR LED PUSH BUTTONS</p>
	ALL TECHNICAL DATA ON THIS DRAWING IS THE PROPERTY OF GS GLOBAL RESOURCES INC. AND SHALL NOT BE USED BY OTHERS FOR MANUFACTURE, PROCUREMENT, OR DISCLOSURE WITHOUT THE WRITTEN PERMISSION OF GS GLOBAL RESOURCES INC.	

TITLE BLOCK REVISION DATE: 10-9-2018