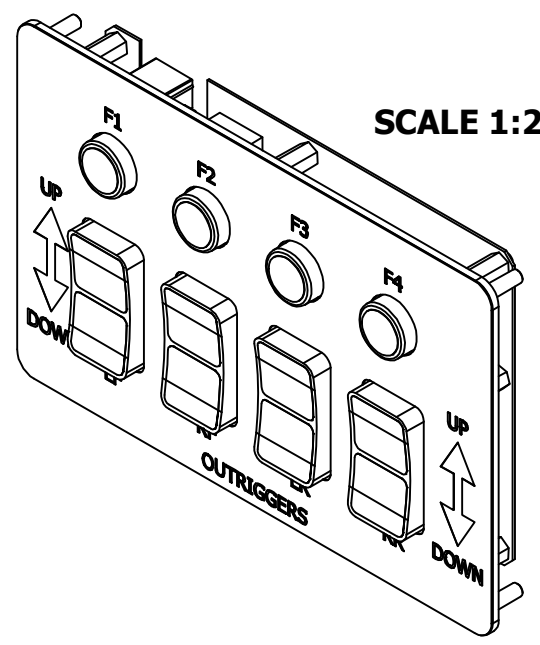
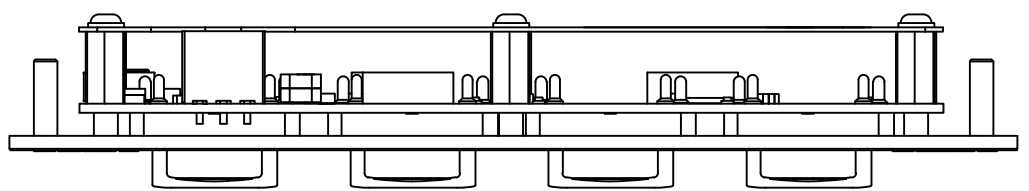
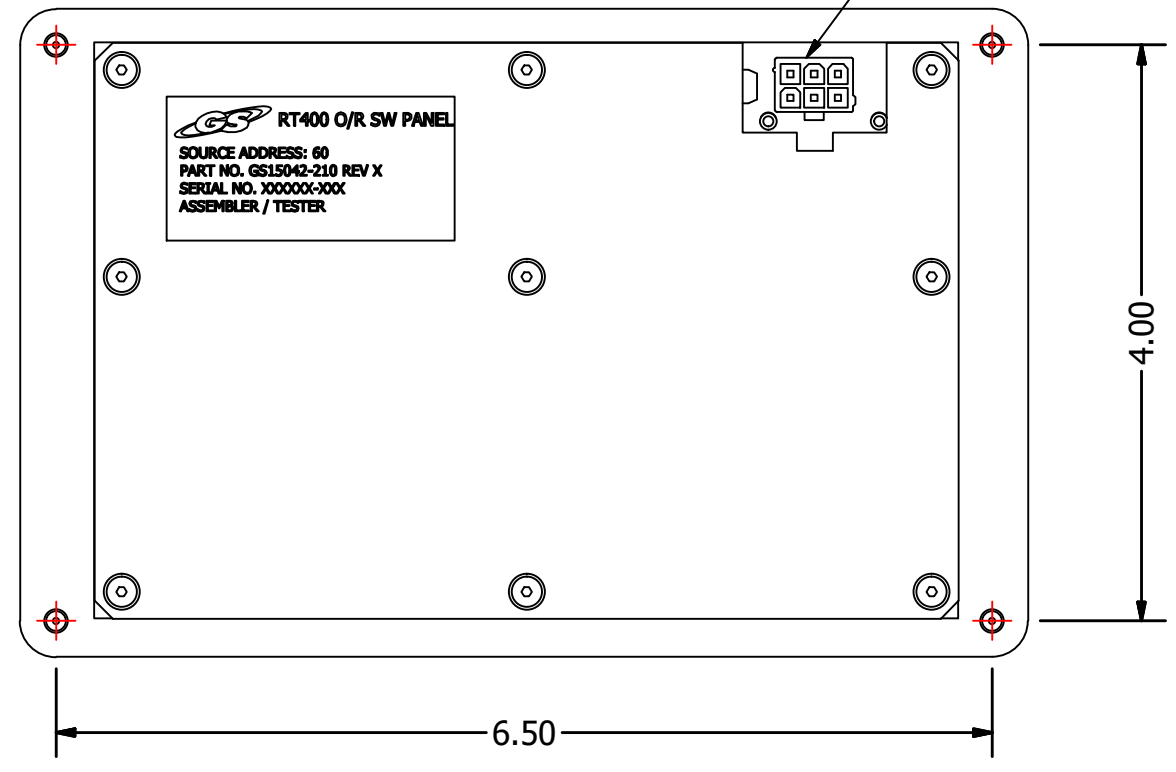
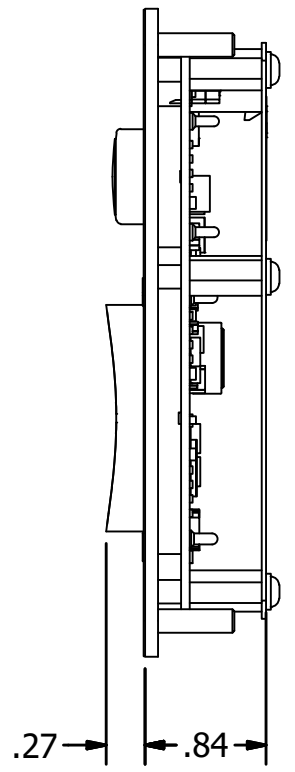
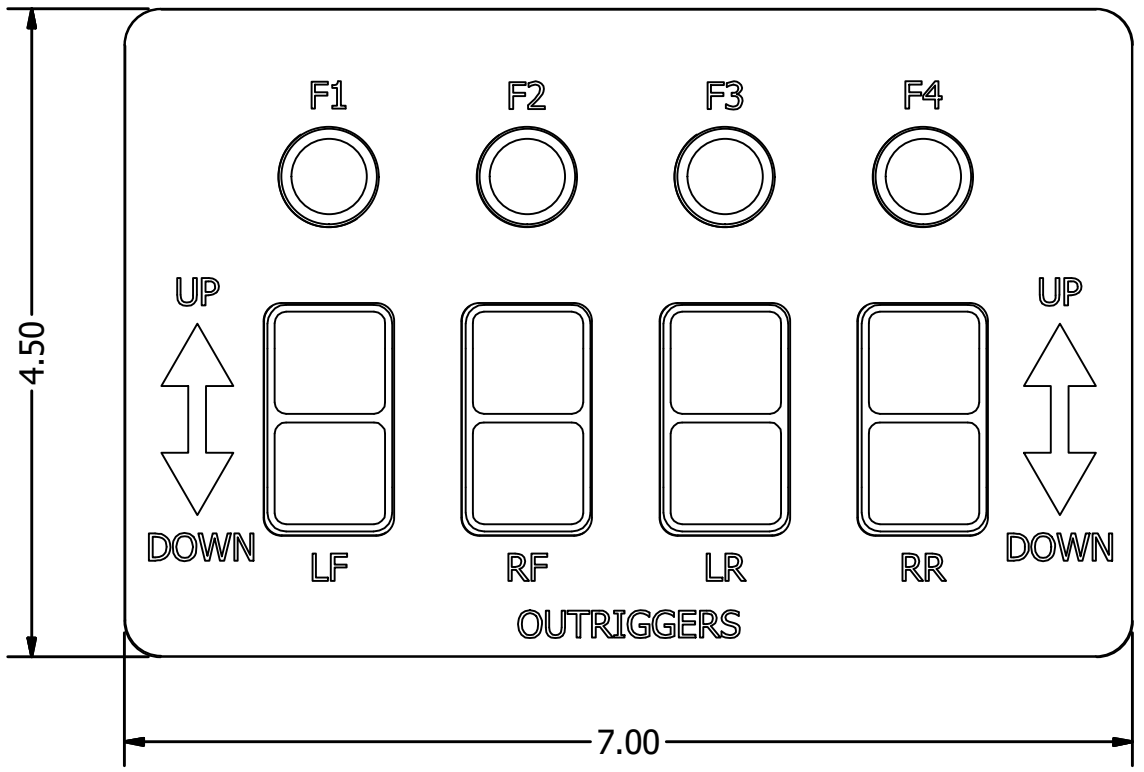


4	3	2	1	
		BUTTONS	COMMAND SIGNAL	CONNECTOR
		4 BUTTONS AND 4 ROCKERS HORIZONTAL CONFIGURATION	CAN J1939	MOLEX 39-29-6068
			MATING CONNECTOR	INSTALLATION LOCATION
			MOLEX 39-01-2060	CAB



TERMINAL	CONNECTION
1	CAN-H
2	-VBAT (0VDC)
3	NO CONNECTION
4	CAN-L
5	NO CONNECTION
6	+VBAT (9-36VDC)

UNLESS OTHERWISE SPECIFIED DIMENSIONS ARE IN INCHES WIRE LENGTH TOLERANCES SPEC = IPC/WHMA-A-620B ≤ 1ft +1in -0in > 1ft-5ft +2in -0in > 5ft-10ft +4in -0in > 10ft-25ft +6in -0in > 25ft +5% -0% FRACTIONS ± 1/16in ± 1.59mm TOLERANCES ON DECIMALS: 1 PLACE 2 PLACE 3 PLACE in ±.030 ±.010 ±.005 mm ±.76 ±.25 ±.13 ANGULAR DIMENSIONS ± 1 DEG REMOVE BURRS BREAK EDGES 0.01in 0.25mm MAX MAX SURFACE ROUGHNESS 12.5	ORIGINATED BY: KJOHNSON ORIGINATION DATE: 6-28-2019 PROJECT ENGINEER: ACCOUNT MANAGER: MATERIAL: COATING/PLATING: CUSTOMER PART NUMBER:	<p>GLOBAL RESOURCES MUKWONAGO, WI 53149</p> <p>DRAWING TITLE: 4 ROUND PUSH BUTTONS AND 4 ROCKERS SWITCH PANEL</p>
	ALL TECHNICAL DATA ON THIS DRAWING IS THE PROPERTY OF GS GLOBAL RESOURCES INC. AND SHALL NOT BE USED BY OTHERS FOR MANUFACTURE, PROCUREMENT, OR DISCLOSURE WITHOUT THE WRITTEN PERMISSION OF GS GLOBAL RESOURCES INC.	

TITLE BLOCK REVISION DATE: 10-9-2018