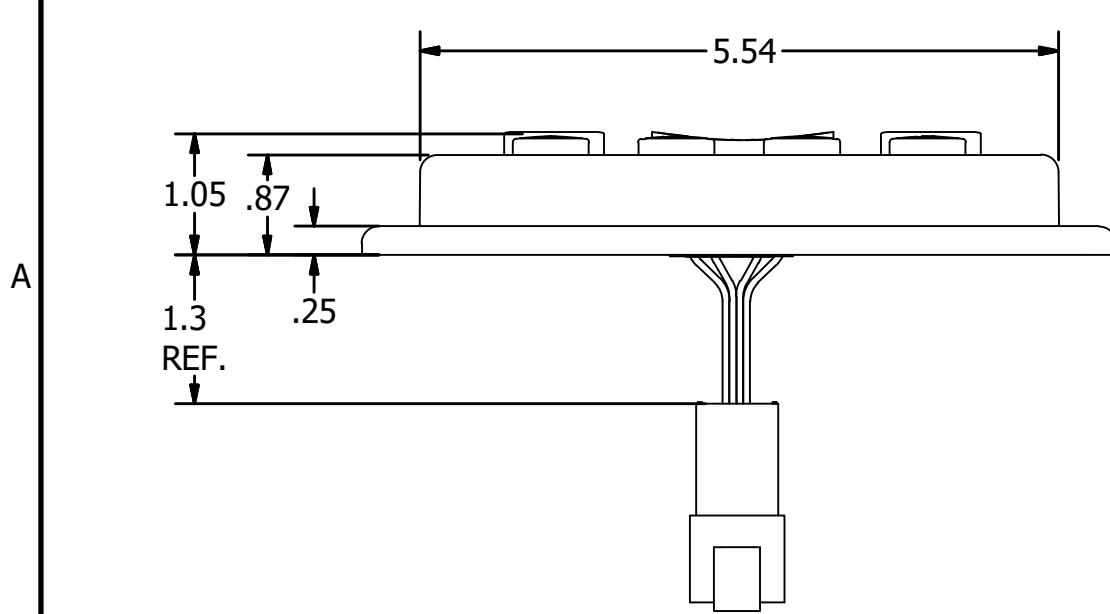
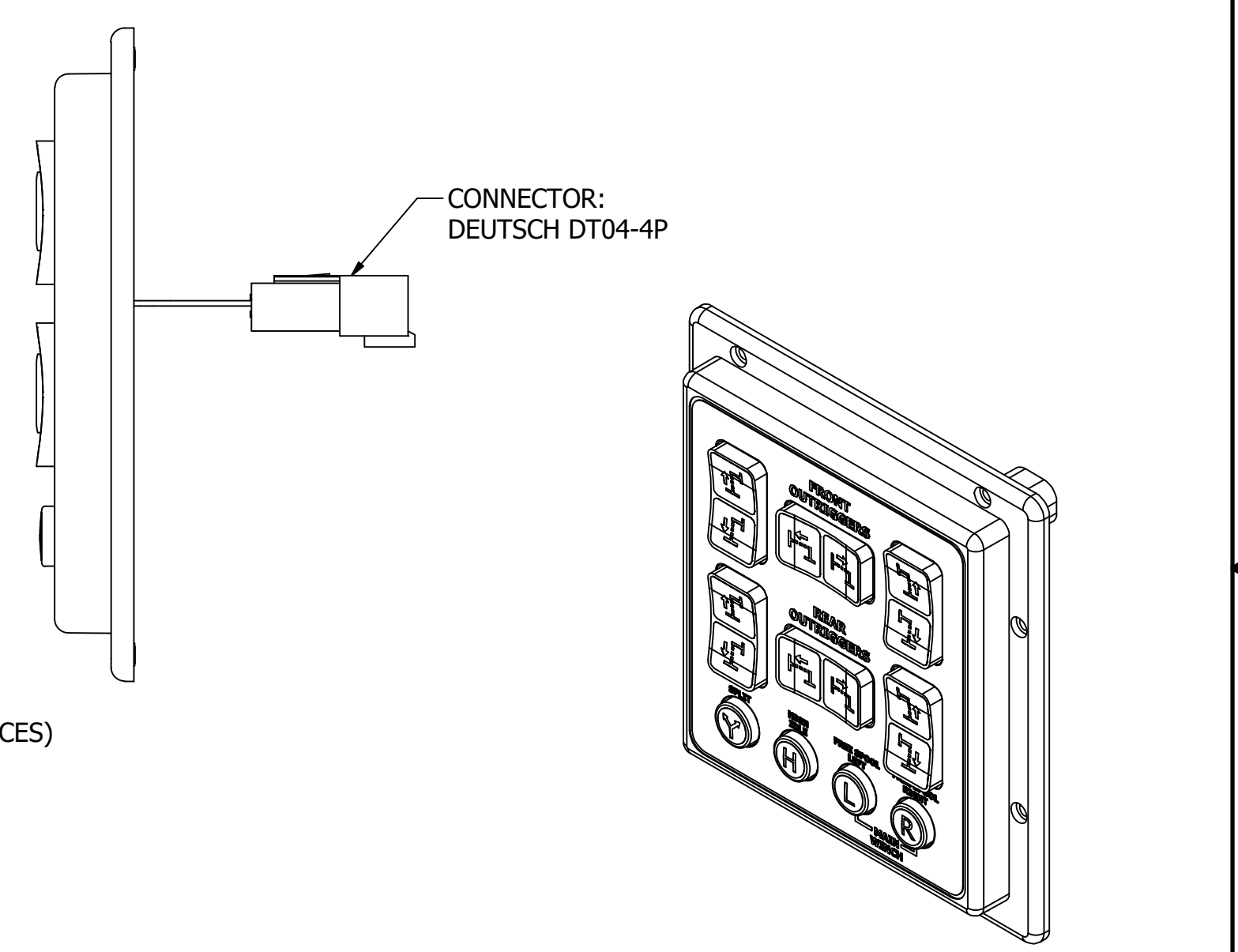


4	3	2	1	1		
		BUTTONS	COMMAND SIGNAL	CONNECTOR	MATING CONNECTOR	INSTALLATION LOCATION
		6 ROCKERS AND 4 ROUND PUSH BUTTONS	CAN J1939	DT04-4P	DT06-4S	OUTSIDE- POTTED



TABLE

PIN	COLOR	DESCRIPTION
1	RED	POWER SUPPLY (9-32VDC)
2	BLACK	POWER SUPPLY (0VDC)
3	YELLOW	CAN HIGH
4	GREEN	CAN LOW

UNLESS OTHERWISE SPECIFIED DIMENSIONS ARE IN INCHES

WIRE LENGTH TOLERANCES SPEC = IPC/WHMA-A-620B

THIRD ANGLE PROJECTION

FRACTIONS  $\pm 1/16$ in  $\pm 1.59$ mm

TOLERANCES ON DECIMALS:

1 PLACE	2 PLACE	3 PLACE
in $\pm .030$	$\pm .010$	$\pm .005$
mm $\pm .76$	$\pm .25$	$\pm .13$

ANGULAR DIMENSIONS  $\pm 1$  DEG

REMOVE BURRS

BREAK EDGES 0.01in 0.25mm MAX

MAX SURFACE ROUGHNESS  $\sqrt{32}$

ORIGINATED BY: KJOHNSON

ORIGINATION DATE: 6-25-2019

PROJECT ENGINEER:

ACCOUNT MANAGER:

MATERIAL:

COATING/PLATING:

CUSTOMER PART NUMBER:

ALL TECHNICAL DATA ON THIS DRAWING IS THE PROPERTY OF GS GLOBAL RESOURCES INC. AND SHALL NOT BE USED BY OTHERS FOR MANUFACTURE, PROCUREMENT, OR DISCLOSURE WITHOUT THE WRITTEN PERMISSION OF GS GLOBAL RESOURCES INC.

GS GLOBAL RESOURCES  
MUKWONAGO, WI 53149

DRAWING TITLE:  
**6 ROCKERS AND 4 ROUND PUSH BUTTONS**

SHT SIZE: B DRAWING NUMBER: GS17122-005 REV: A

DRAWING REFERENCE: SCALE: 3:5 SHEET INFO: 1 OF 1

TITLE BLOCK REVISION DATE: 10-9-2018