

2	1	1	1	1
BUTTONS	COMMAND SIGNAL	CONNECTOR	MATING CONNECTOR	INSTALLATION LOCATION
15 ROUND BUTTON 3 BY 5 ALIGNED LAYOUT SWITCH PANEL	CAN J1939	DT04-4P	DT06-4S	OUTSIDE- POTTED

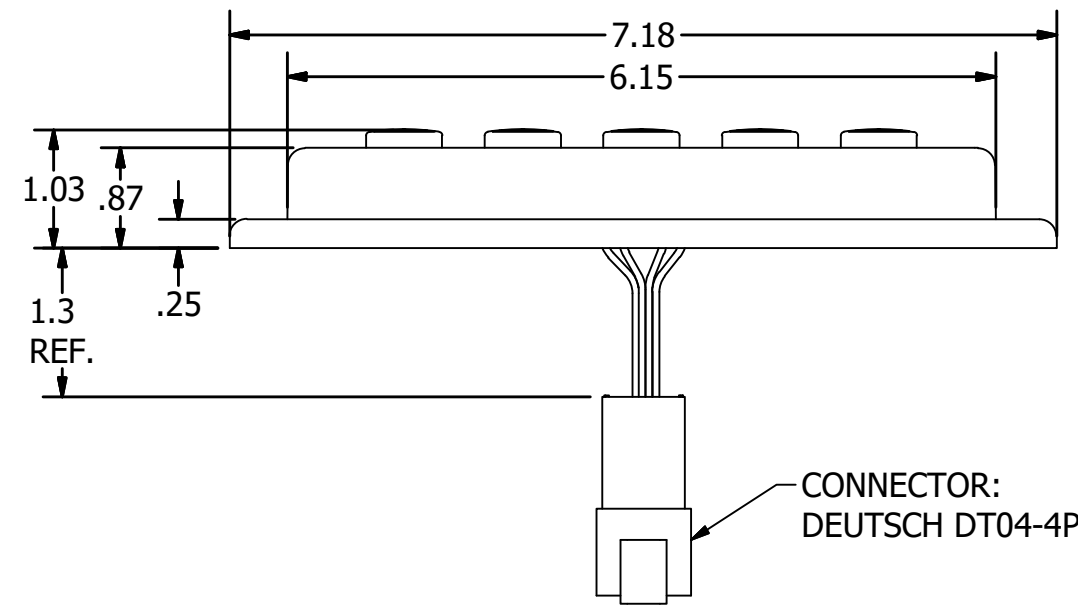
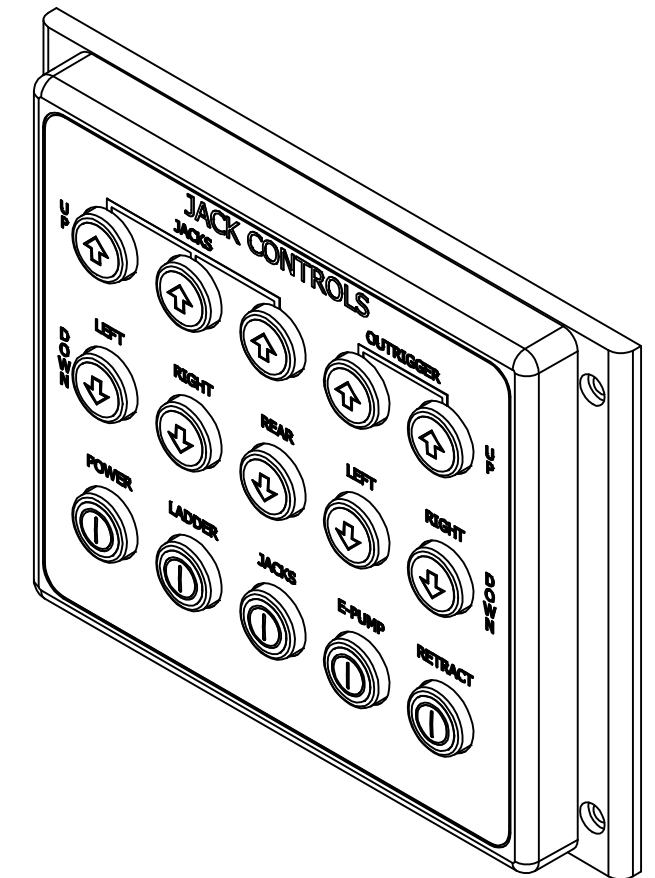
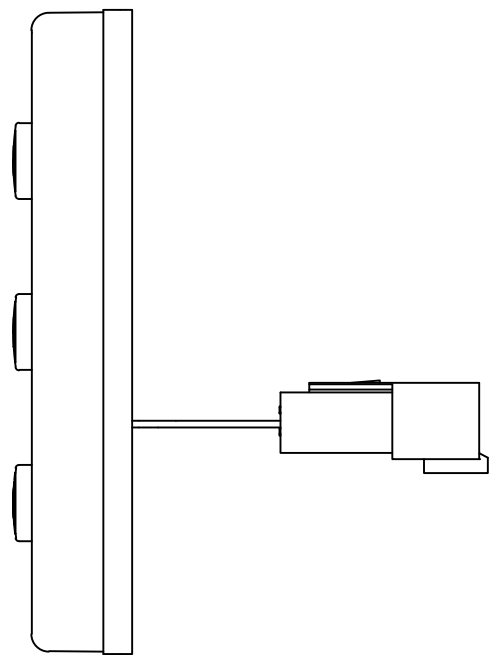
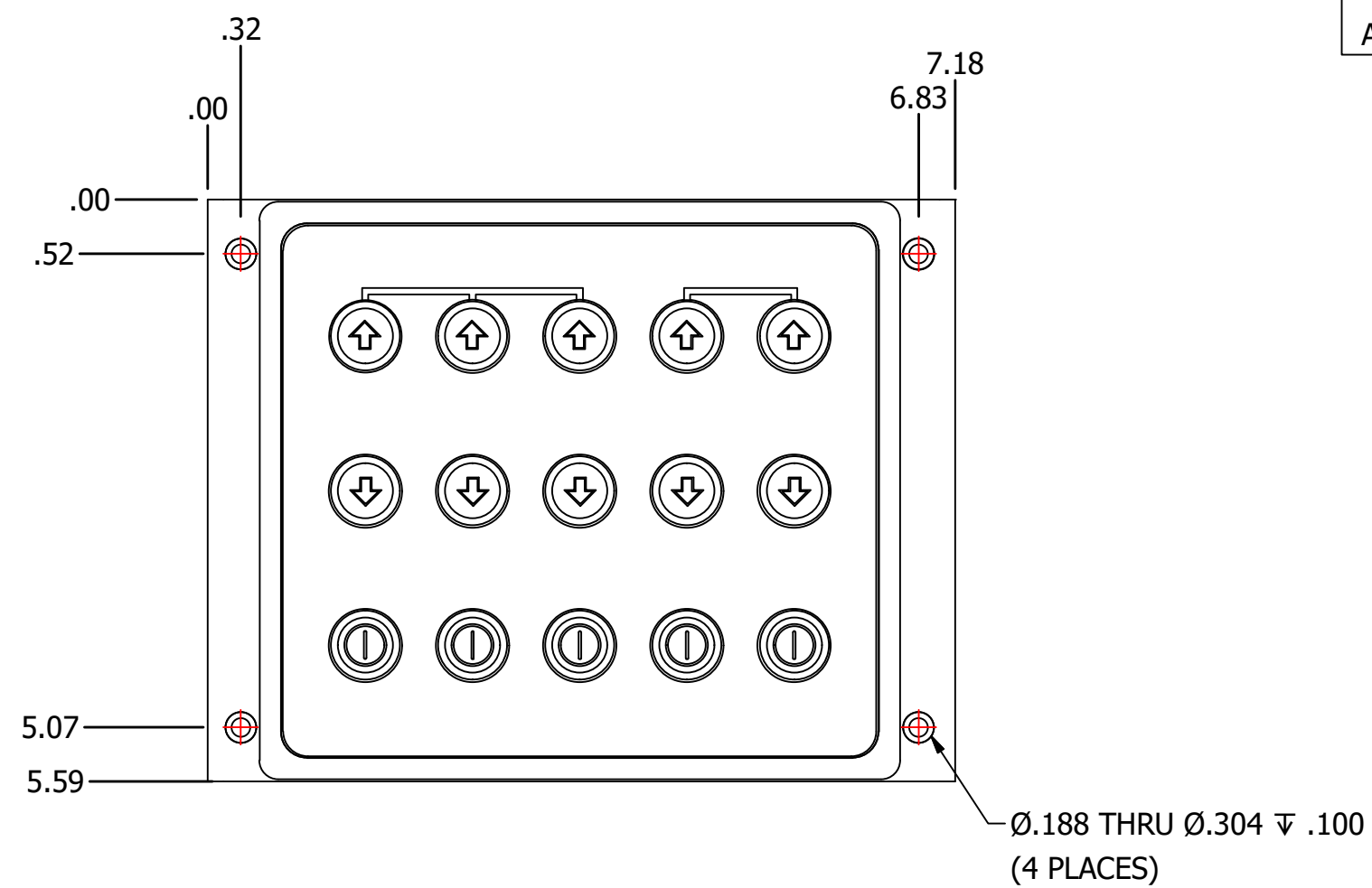


TABLE		
COLOR	DT04-4P	DESCRIPTION
RED	1	POWER SUPPLY (9-32VDC)
BLACK	2	POWER SUPPLY (0VDC)
YELLOW	3	CAN HIGH
GREEN	4	CAN LOW

UNLESS OTHERWISE SPECIFIED DIMENSIONS ARE IN INCHES

WIRE LENGTH TOLERANCES SPEC = IPC/WHMA-A-620B

≤ 1ft	+1in -0in	THIRD ANGLE PROJECTION
> 1ft-5ft	+2in -0in	
> 5ft-10ft	+4in -0in	
> 10ft-25ft	+6in -0in	
> 25ft	+5% -0%	

FRACTIONS ± 1/16in ± 1.59mm

TOLERANCES ON DECIMALS:

1 PLACE	2 PLACE	3 PLACE
in ± .030	± .010	± .005
mm ± .76	± .25	± .13

ANGULAR DIMENSIONS ± 1 DEG

REMOVE BURRS

BREAK EDGES 0.01in 0.25mm MAX

MAX SURFACE ROUGHNESS 12.5

ORIGINATED BY: KJOHNSON

ORIGINATION DATE: 6-24-2019

PROJECT ENGINEER:

ACCOUNT MANAGER:

MATERIAL:

COATING/PLATING:

CUSTOMER PART NUMBER:

ALL TECHNICAL DATA ON THIS DRAWING IS THE PROPERTY OF GS GLOBAL RESOURCES INC. AND SHALL NOT BE USED BY OTHERS FOR MANUFACTURE, PROCUREMENT, OR DISCLOSURE WITHOUT THE WRITTEN PERMISSION OF GS GLOBAL RESOURCES INC.

GS GLOBAL RESOURCES  
MUKWONAGO, WI 53149

DRAWING TITLE:  
15 PUSH BUTTON SWITCH PANEL

SHT SIZE: B DRAWING NUMBER: GS17122-001 REV: A

DRAWING REFERENCE: SCALE: 3:5 SHEET INFO: 1 OF 1

TITLE BLOCK REVISION DATE: 10-9-2018