

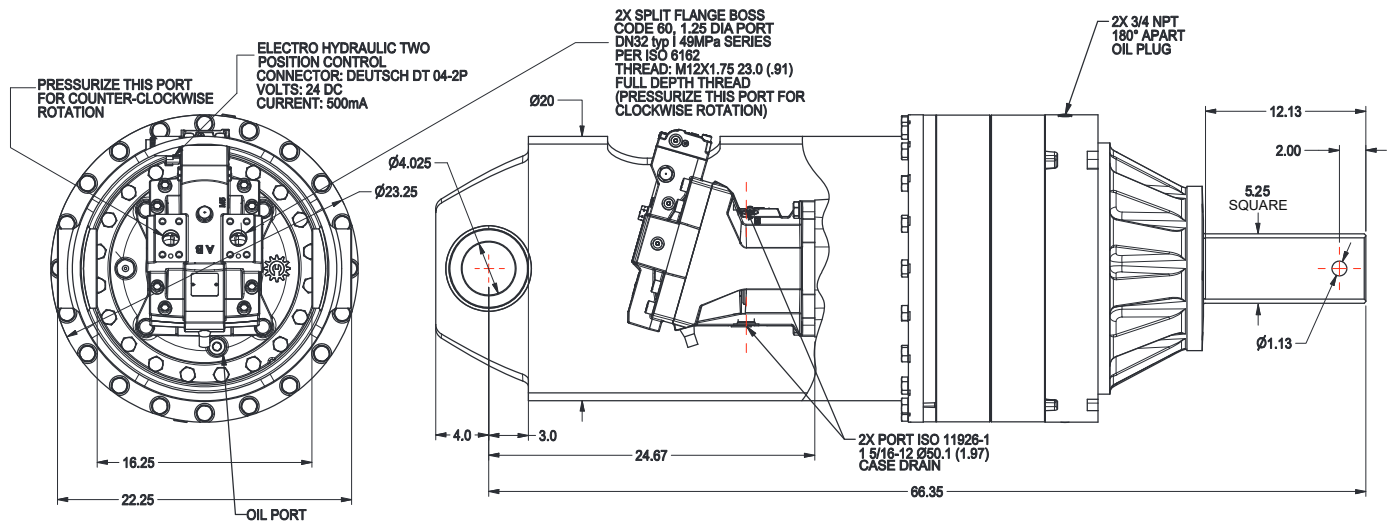


# D1400 Series Digger Drive

## 115,000 FT-LB TORQUE

Data Sheet PSD1400QD\_08\_16

SERIES D1400 HEAVY DUTY PLANETARY DRIVE IS IDEAL FOR THE CONSTRUCTION, ANCHOR SETTING, AND UTILITY DIGGER MARKETS. THIS DIGGER DRIVE IS AVAILABLE IN A SINGLE RATIO AND CAN BE PURCHASED WITH OR WITHOUT A MOTOR. ESKRIDGE HAS OVER 40 YEARS OF EXPERIENCE IN THE MANUFACTURE OF DIGGER AND ANCHOR DRIVES.



### TECHNICAL SPECIFICATIONS

#### HYDRAULIC MOTOR INFORMATION

PART NUMBER: 01-304-1200  
DISPLACEMENT: 212 CC MAXIMUM, 75 CC MINIMUM  
MAXIMUM PRESSURE: 5000 PSIG (345 Bar)  
MAXIMUM HIGH SPEED FLOW: 76 GPM (288 LPM)  
MAXIMUM LOW SPEED FLOW: 150 GPM (570 LPM)  
TYPE: TWO SPEED AXIAL PISTON MOTOR  
SPEED CONTROL: ELECTRO-HYDRAULIC SOLENOID (ENERGIZED LOW SPEED)  
MOTOR CASE: CASE DRAIN REQUIRED

#### PLANETARY GEARBOX INFORMATION

RATIO: 155:1  
RATED OUTPUT TORQUE: TO 115,000 ft-lb (156,000 N-m)  
SHAFT PULL-OUT: 50,000 lbf (222,000 N)  
PRESSURE LOAD: 95,000 lbf (423,000 N)  
SHAFT RETENTION: PATENTED LOAD-N-LOCK SHAFT RETENTION  
OIL TYPE: 80W90 EP or GL-5  
OIL CAPACITY: 10.25gal (39 L)  
WEIGHT: 2,100 lb (950 kg)  
SHAFT: SIDE LOADING NOT RECOMMENDED  
BAIL PIN: REQUIRES A HIGH ALLOY HEAT TREATED PIN  
OUTPUT SHAFT: 5 1/4 SQUARE  
BAIL BOSS: 4.00 IN

For more information regarding Planetary Diggerdrives and other innovative products, feel free to contact us at:



1900 Kansas City Road • Olathe, Kansas 66061 • USA

PHONE: (913) 782-1238 • FAX: (913) 782-4206

WEBSITE: [www.eskridgeinc.com](http://www.eskridgeinc.com) • E-MAIL: [sales@eskridgeinc.com](mailto:sales@eskridgeinc.com)



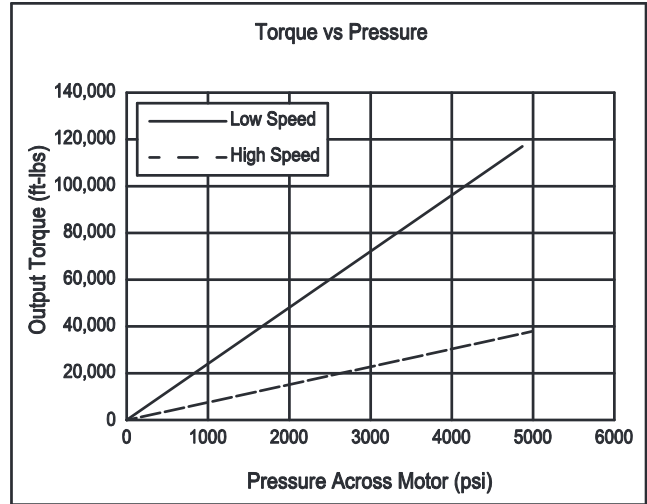
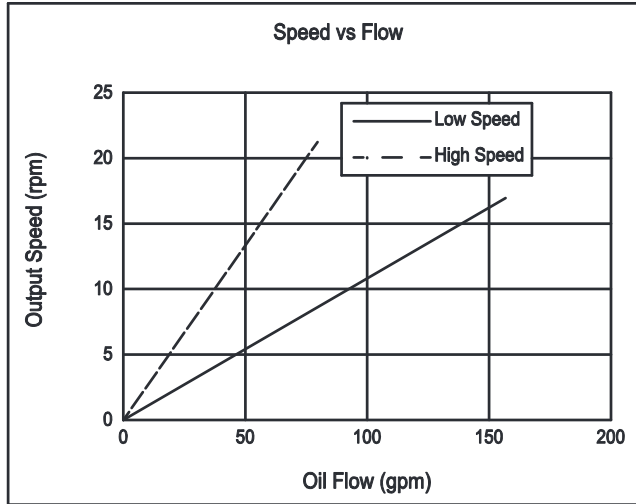
GS Global Resources • 1-800-261-8735 • [gsglobalresources.com](http://gsglobalresources.com)  
926 Perkins Drive, Mukwonago, WI 53149

© GS GLOBAL RESOURCES, INC. ALL RIGHTS RESERVED.

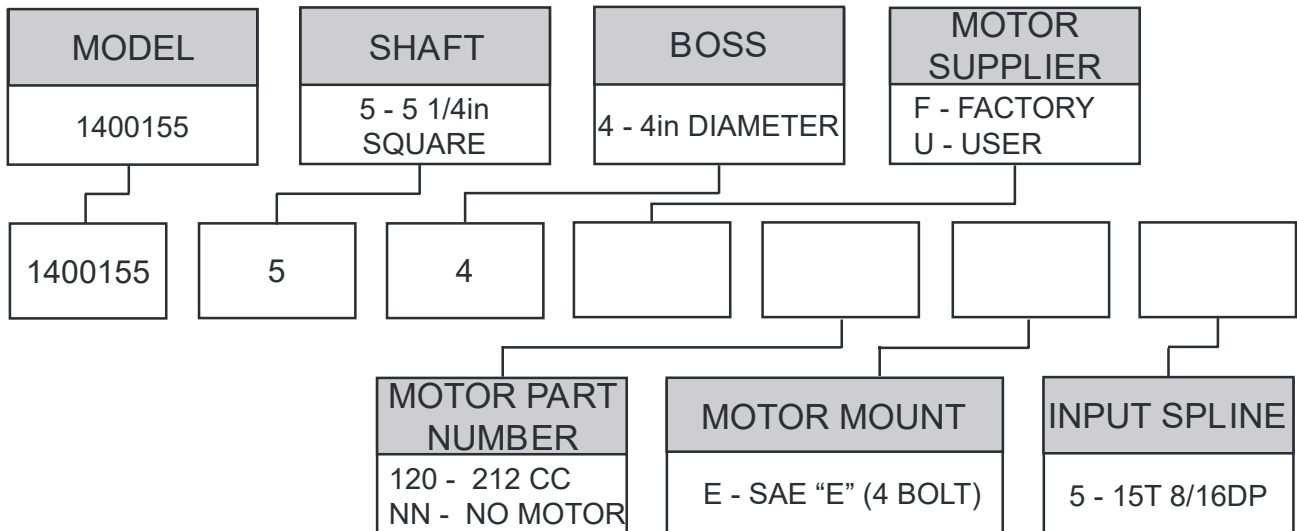
# Technical Data

MODEL	GEAR RATIO	MOTOR CODE	MOTOR PRESSURE	FLOW	RATED TORQUE / SPEED	
					HIGH SPEED	LOW SPEED
1400155	155.4:1	120	5,000 psi (345 bar)	60 gpm (227 l/min)	39,500 ft-lb (53,550 N-m) / 17 rpm	115,000* ft-lb (155,920 N-m) / 7 rpm

\*MAXIMUM INTERMITTENT VALUE.



TORQUE AND SPEED CHARTS ARE BASED ON ANALYTICAL CALCULATIONS USING GEARBOX AND MOTOR EFFICIENCIES. SPEED VS. FLOW CHART SPECIFIES MAXIMUM FLOW AND SPEED VALUES FOR THE DRIVE. STARTING TORQUES ARE APPROXIMATELY 25% LESS THAN RUNNING TORQUE. SYSTEM BACK PRESSURE WILL REDUCE THE RUNNING TORQUES PROPORTIONALLY.



## IMPORTANT INFORMATION...

ESKRIDGE, INC. EXPRESSLY DISCLAIMS ANY IMPLIED WARRANTY OF MERCHANTABILITY OR FITNESS FOR ANY PARTICULAR PURPOSE FOR THE PRODUCTS SHOWN HEREIN.

Any claims based on or related to the products shown herein will be satisfied only by repair or replacement in Eskridge, Inc.'s sole discretion to the extent covered by Eskridge's Product Warranty. Eskridge, Inc. is not liable for incidental or consequential damage of any kind or nature that relate in any way to the products shown herein. For complete warranty information, please refer to Eskridge, Inc.'s Product Warranty that applies to the products shown herein and is incorporated by this reference as if fully set forth. A copy of Eskridge, Inc.'s Product Warranty can be obtained by writing Eskridge, Inc. at P.O. Box 875, 1900 Kansas City Road, Olathe, Kansas 66061