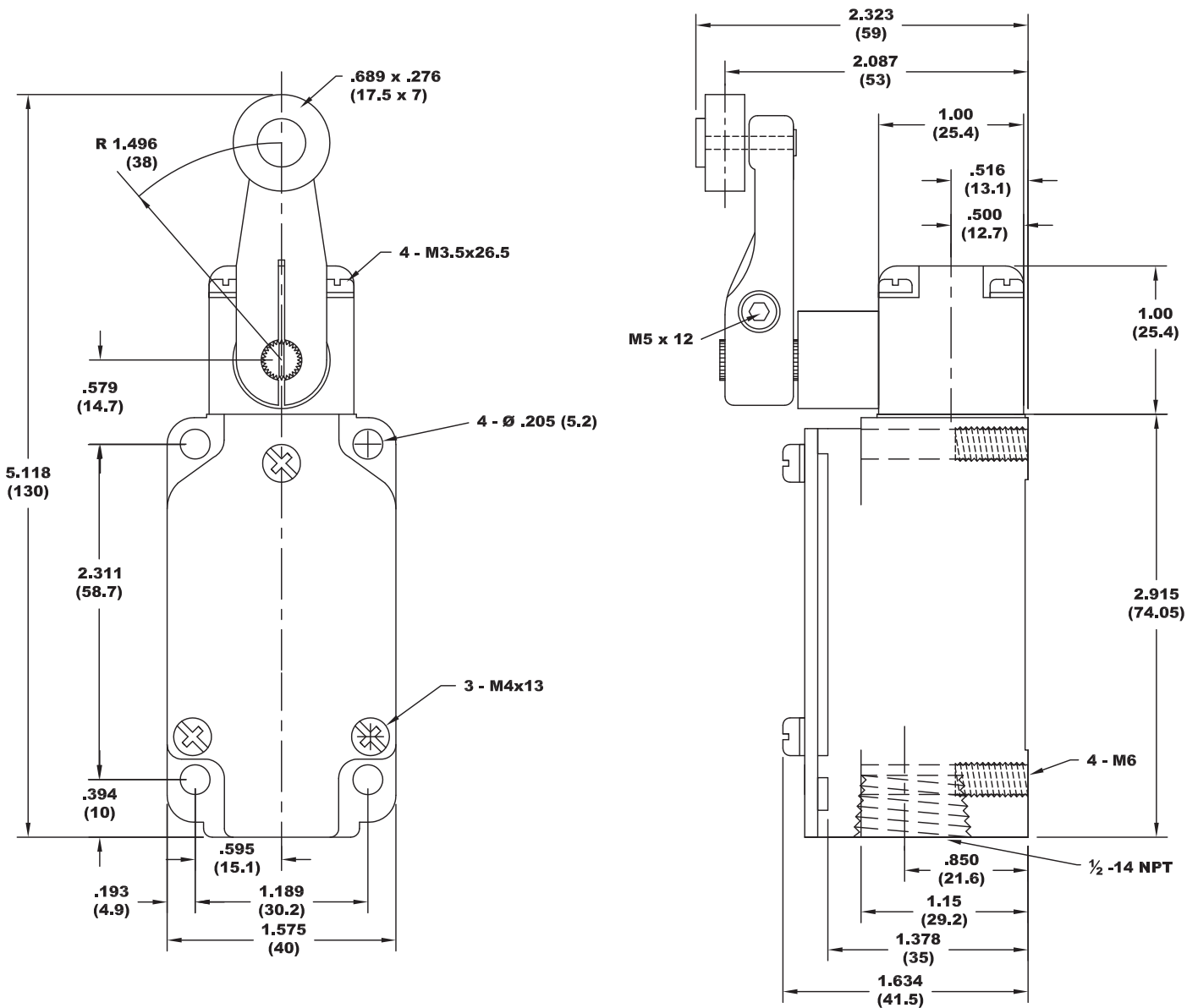


# E49M11AP1



DATE	REV	DESCRIPTION	DWN	ENG	MFG	OTHR
-	-	-	-	-	-	-
-	-	-	-	-	-	-
-	-	-	-	-	-	-
-	-	-	-	-	-	-
-	-	-	-	-	-	-
-	-	-	-	-	-	-
-	-	-	-	-	-	-

**PROPRIETARY NOTICE**  
 NOTICE TO ALL PERSONS RECEIVING THIS INFORMATION. THE INFORMATION DISCLOSED HEREIN IS THE CONFIDENTIAL INFORMATION OF EATON CORP. IS DISCLOSED IN STRICT CONFIDENCE AND SHALL NOT BE REPRODUCED, DISCLOSED OR USED IN ANY MANNER WITHOUT THE WRITTEN CONSENT OF EATON CORPORATION. COPYRIGHT EATON CORPORATION. ALL RIGHTS RESERVED.

**THIRD ANGLE PROJECTION**

☐ = CRITICAL DIMENSION TO BE INSPECTED

UNLESS OTHERWISE SPECIFIED DIMENSIONS ARE IN INCHES TOLERANCES ARE:

DECIMAL:	ANGULAR:
.XX ± .01	∠ ± 30'
.XXX ± .005	
.XXXX ± .001	

MATL: .  
 FINISH: .

DWN	H. WEYMOUTH
DATE	07/13/2007
CHK	---
ENG	---
MFG	---
OTHR	---
OTHR	---
SCALE:	SHT OF
	1 1

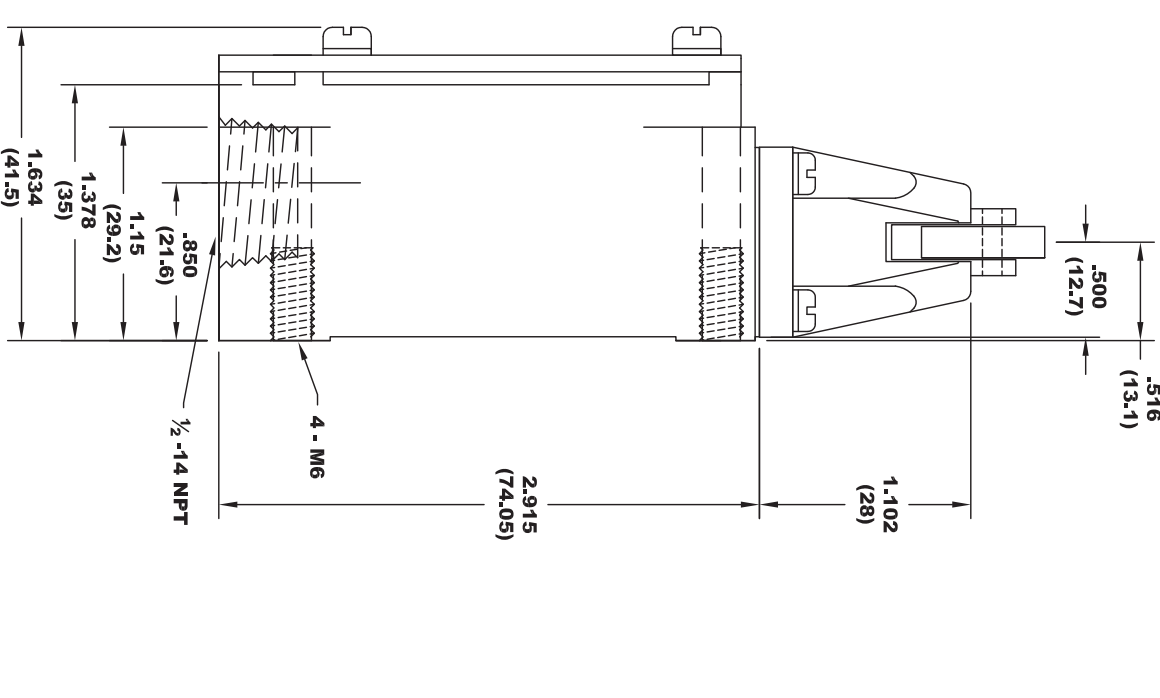
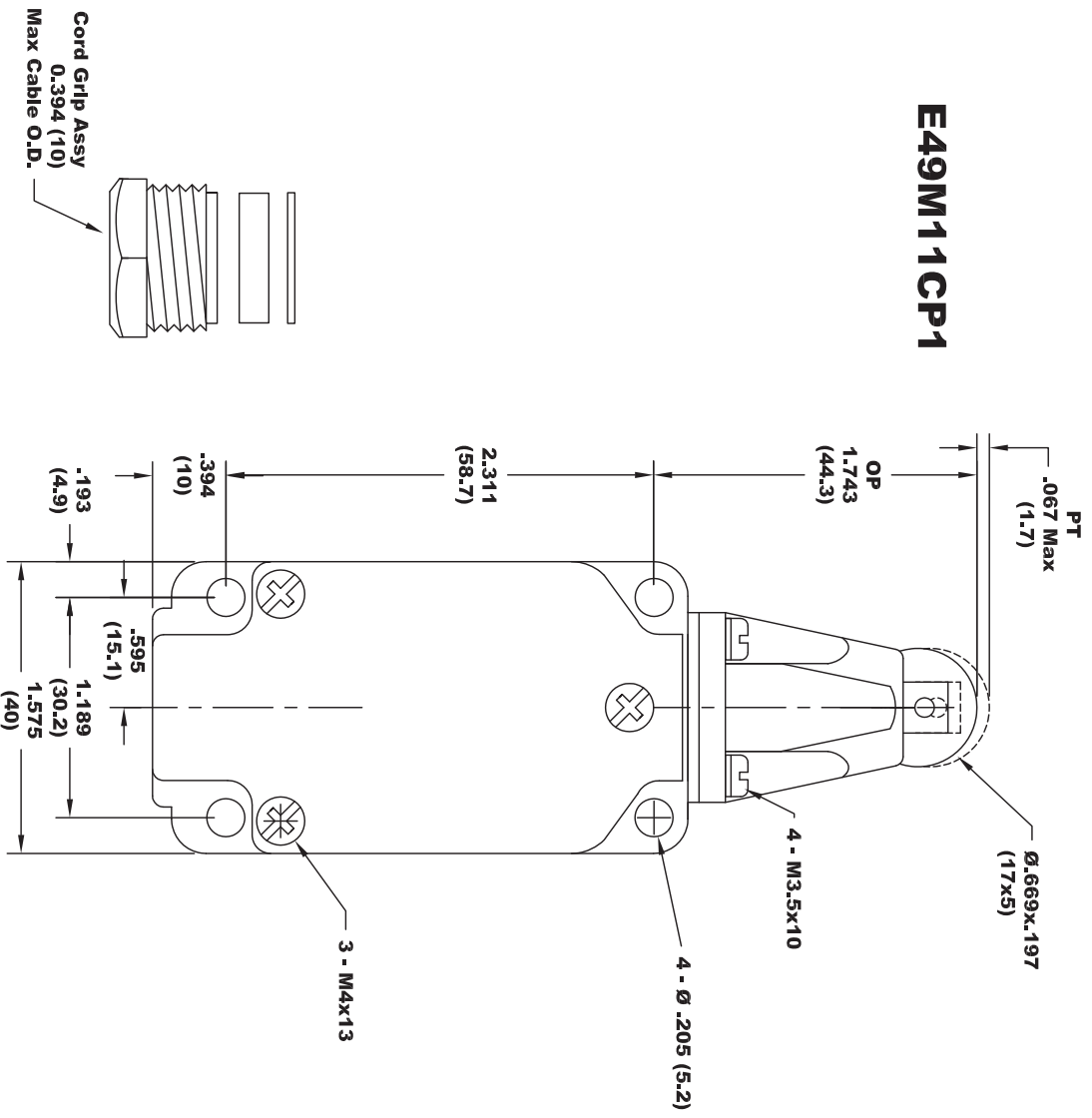
**EATON** 6500 HARBOUR HT'S PKWY  
 SUITE 320  
 MUKILTEO, WA 98275  
 (425) 349-5240

**Compact Metal  
 Limit Switch  
 Roller Lever**

SIZE	DRAWING NO.	AutoCAD	REV
<b>A</b>	<b>90-26807-001</b>		<b>01</b>



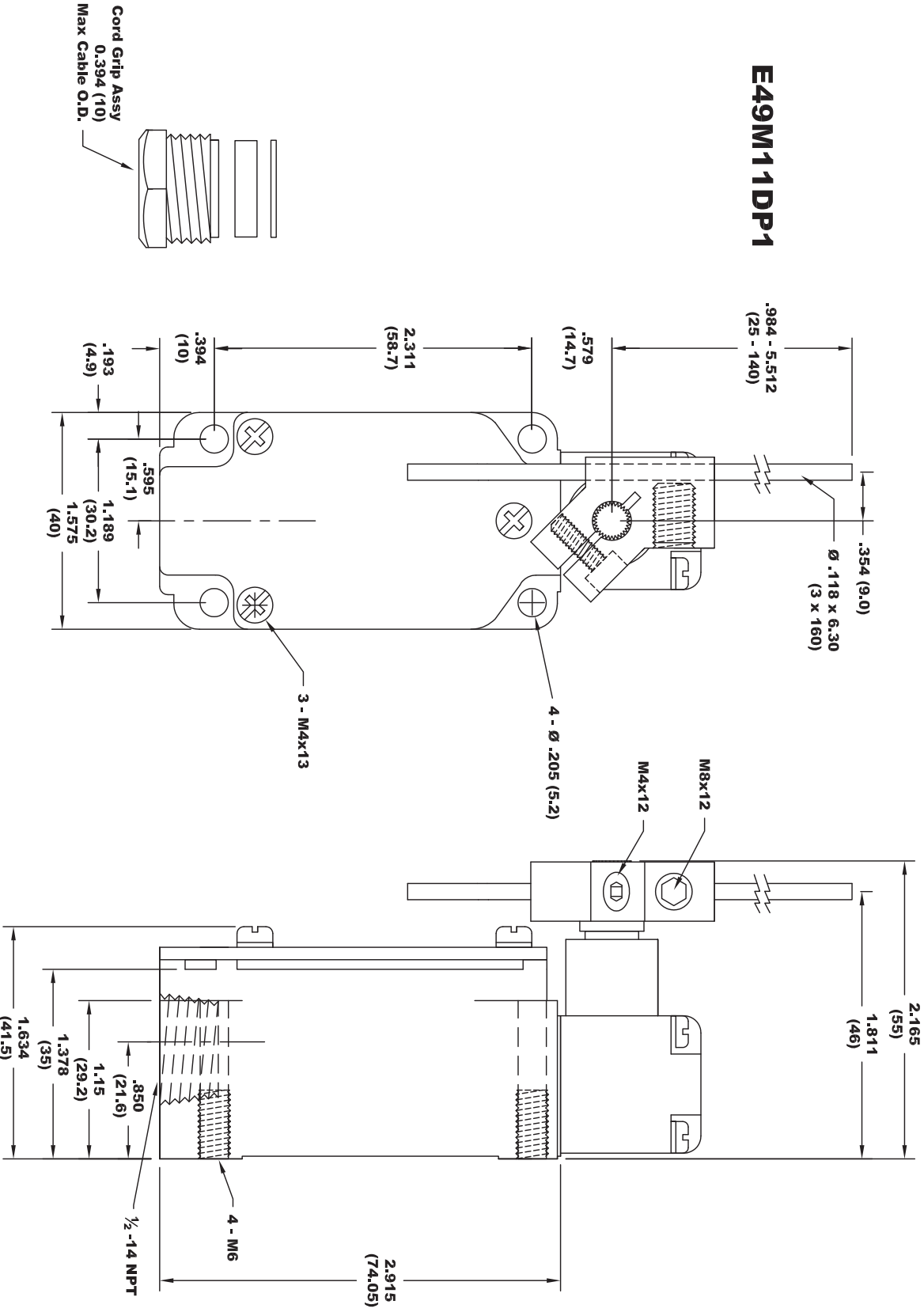
# E49M11CP1



DATE	REV	DESCRIPTION	DWN	ENG	MFG	OTHR	PROPRIETARY NOTICE		UNLESS OTHERWISE SPECIFIED		DWN	H.	WETMOUTH	EATON		SIZE	DRAWING NO.	REV
-	-	-	-	-	-	-	NOTICE TO ALL PERSONS RECEIVING THIS INFORMATION: THE INFORMATION DISCLOSED HEREIN IS THE PROPERTY OF EATON CORPORATION AND SHALL NOT BE REPRODUCED, DISCLOSED OR USED IN ANY MANNER WITHOUT THE WRITTEN CONSENT OF EATON CORPORATION. ALL RIGHTS RESERVED.		DIMENSIONS ARE IN INCHES TOLERANCES ARE:		07/13/2007			6500 HARBOUR HT'S PKWY SUITE 320 MUKILTEO WA 98275 (425) 349-5240		A	90-26807-003	01
-	-	-	-	-	-	-	THIRD ANGLE PROJECTION		DECIMAL: .01		CHK	---	---	Compact Metal Top Push Roller Limit Switch		AutocAD		
-	-	-	-	-	-	-	CRITICAL DIMENSION TO BE INSPECTED		ANGULAR: ∠ ±30'		ENG	---	---					
-	-	-	-	-	-	-			MFG: .005		MFG	---	---					
-	-	-	-	-	-	-			MATERIAL: .001		OTHER	---	---					
-	-	-	-	-	-	-			FINISH: ---		OTHER	---	---					
-	-	-	-	-	-	-			SCALE: 1 OF 1		SHT	1	OF	1				



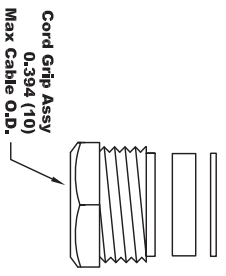
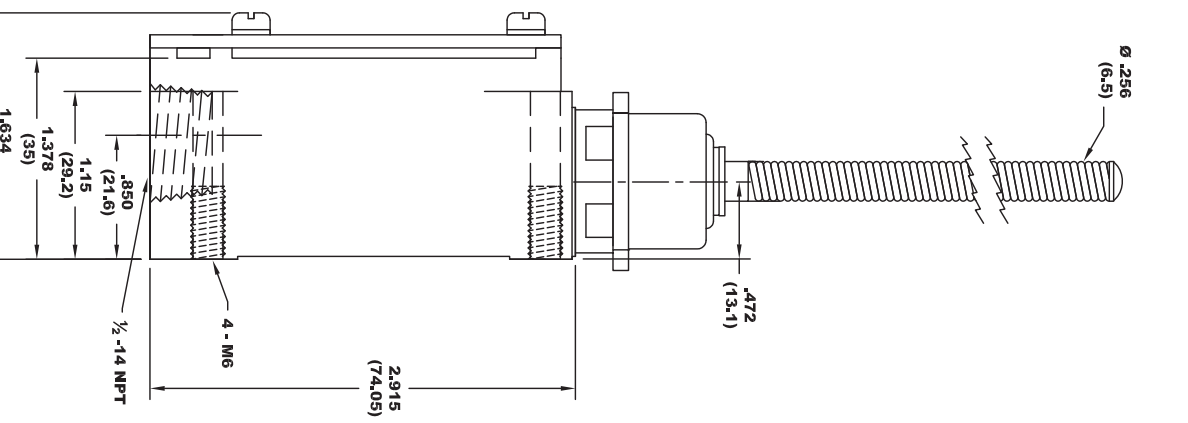
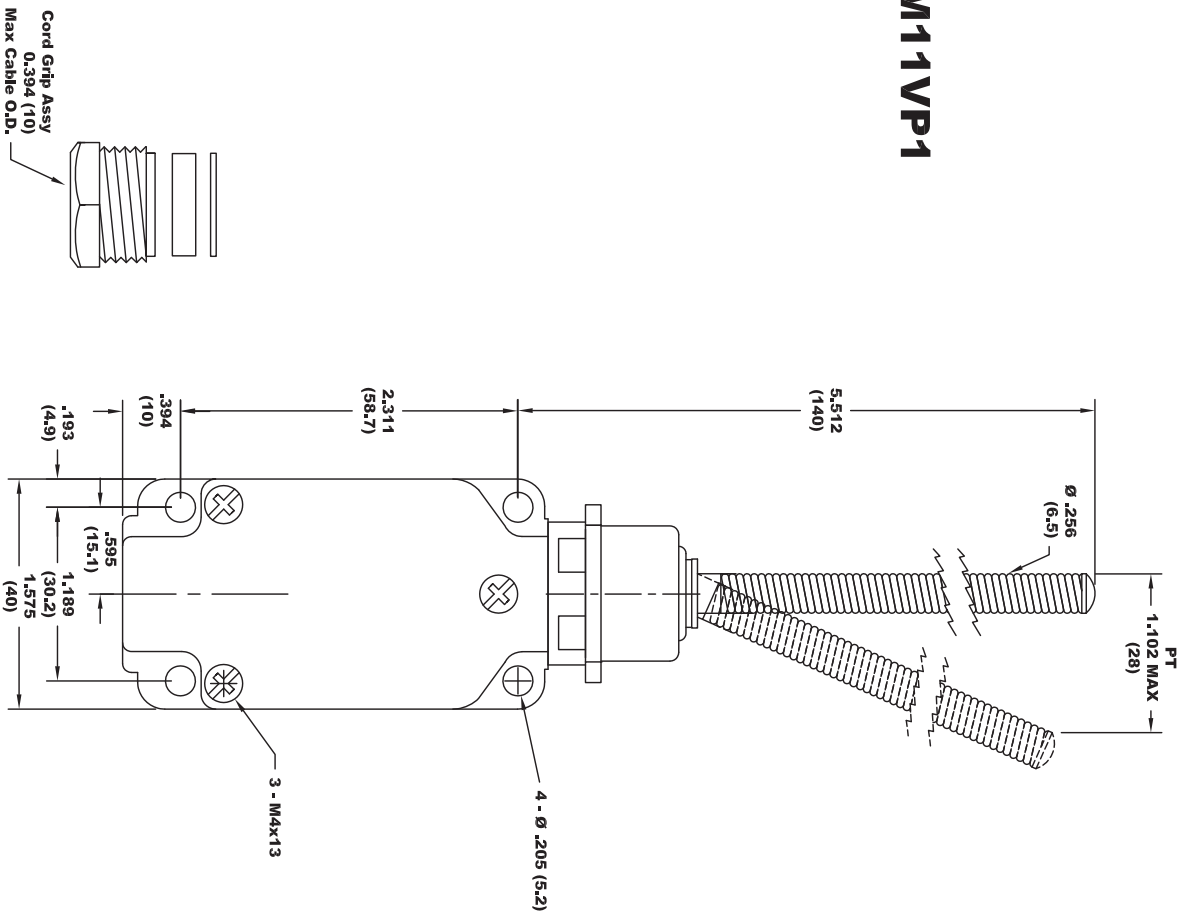
# E49M11DP1



DATE		REV	DESCRIPTION	DWN	ENG	MFG	OTHR	<b>PROPRIETARY NOTICE</b> NOTICE TO ALL PERSONS RECEIVING THIS INFORMATION: THE INFORMATION DISCLOSED HEREIN IS THE PROPERTY OF EATON CORPORATION AND SHALL NOT BE REPRODUCED, DISCLOSED OR USED IN ANY MANNER WITHOUT THE WRITTEN CONSENT OF EATON CORPORATION. COPYRIGHT © EATON CORPORATION. ALL RIGHTS RESERVED.		UNLESS OTHERWISE SPECIFIED DIMENSIONS ARE IN INCHES TOLERANCES ARE: DECIMAL: .01 ± ANGULAR: ∠ ±30' FINISH:		DWN H. WEMYOUTH DATE 07/13/2007 CHK ENG MFG OTHR SCALE: SHT 1 OF 1		<b>EATON</b> 6500 HARBOUR HT'S PKWY SUITE 320 WA. 98275 MUKILTEO WA. 98275 (425) 349-5240		<b>Compact Metal Rod Lever Limit Switch</b> SIZE DRAWING NO. <b>A 90-26807-005</b>		REV <b>01</b>
DATE		REV	DESCRIPTION	DWN	ENG	MFG	OTHR	<b>THIRD ANGLE PROJECTION</b> 		CRITICAL DIMENSION TO BE INSPECTED		FINISH:		SIZE DRAWING NO. <b>A 90-26807-005</b>		REV <b>01</b>		



# E49M11VP1



DATE	REV	DESCRIPTION	DWN	ENG	MFG	OTHR	<input checked="" type="checkbox"/> = CRITICAL DIMENSION TO BE INSPECTED 	PROPRIETARY NOTICE NOTICE TO ALL PERSONS RECEIVING THIS INFORMATION: THE INFORMATION DISCLOSED HEREIN IS THE PROPERTY OF EATON CORPORATION AND SHALL NOT BE REPRODUCED, DISCLOSED OR USED IN ANY MANNER WITHOUT THE WRITTEN CONSENT OF EATON CORPORATION. COPYRIGHT © EATON CORPORATION. ALL RIGHTS RESERVED. THIRD ANGLE PROJECTION	UNLESS OTHERWISE SPECIFIED DIMENSIONS ARE IN INCHES TOLERANCES ARE: DECIMAL: .01 ANGULAR: $\angle \pm 30'$ FINISH:	DWN H. WEMYOUTH DATE 07/13/2007 CHK ENG MFG OTHR SCALE: SHT 1 OF 1	<b>EATON</b> 6500 HARBOUR HT'S PKWY SUITE 320 WA. 98275 (425) 349-5240 <b>Compact Metal Wobble Limit Switch</b> SIZE DRAWING NO. <b>A 90-26807-007</b>	REV <b>01</b>
------	-----	-------------	-----	-----	-----	------	--	--	--	--	---	---------------

