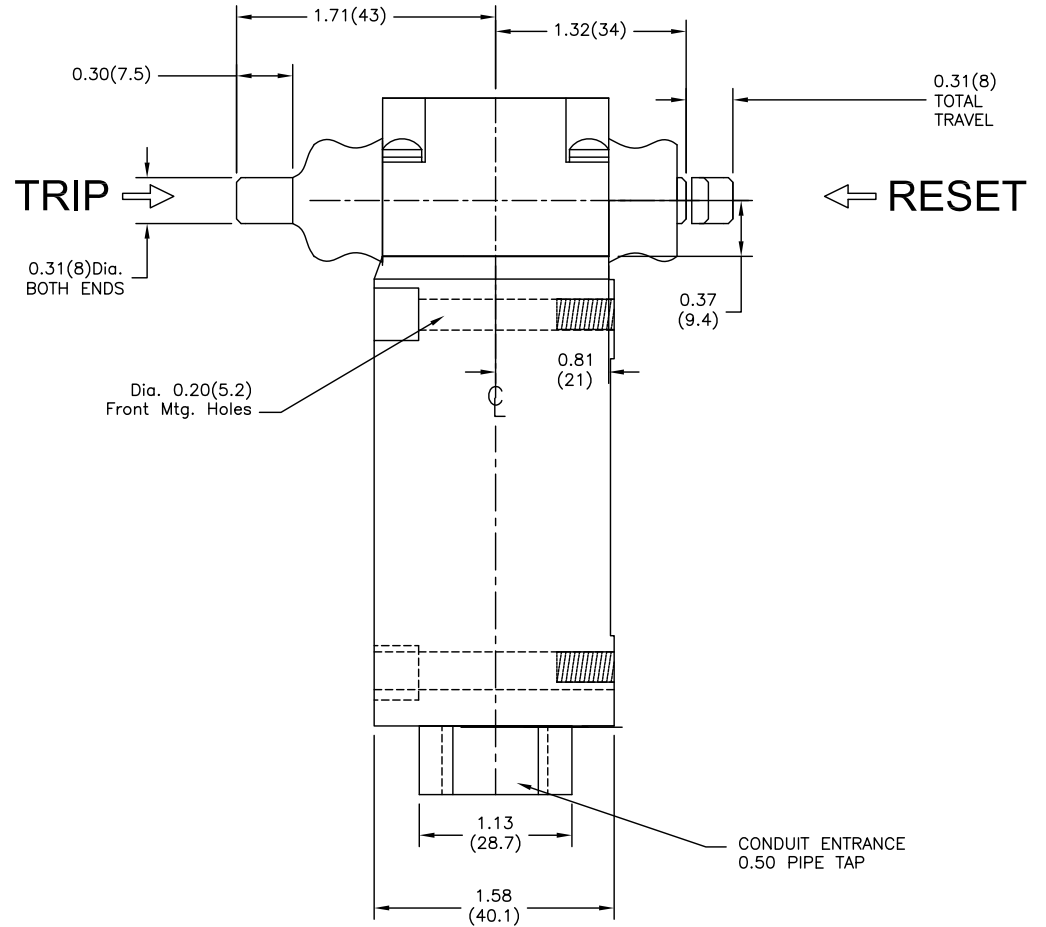
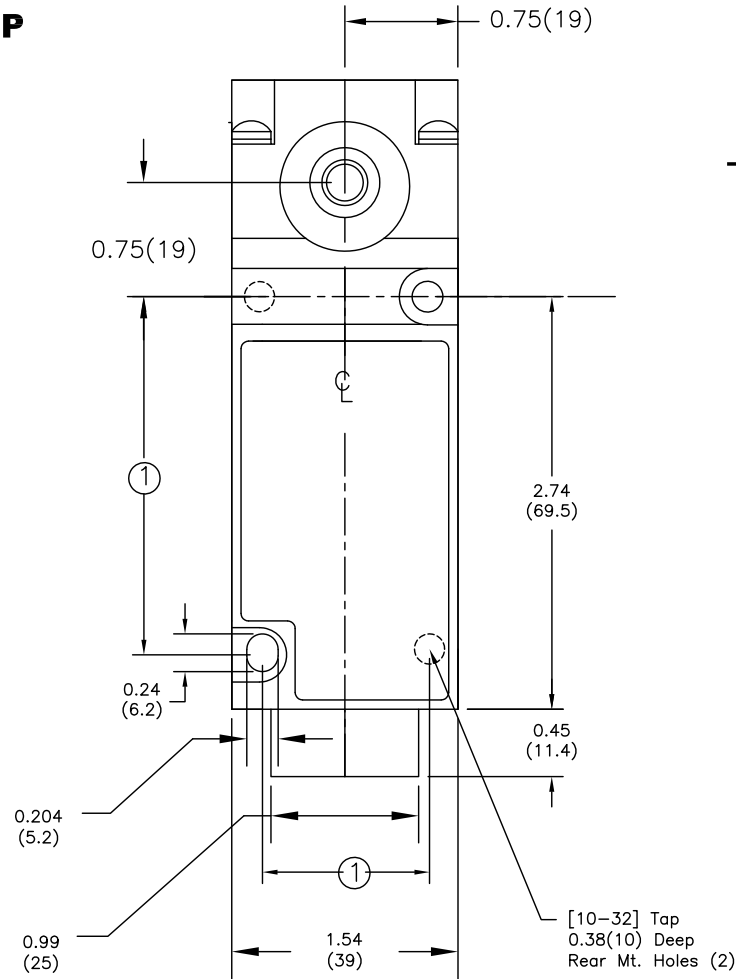


**Models:  
E50AH16P  
E50BH16P**



① Can accommodate both U.S. 1.16(29.4) x 2.34(59.5) and DIN, 1.18(30) x 3.26(60), mounting dimensions.

..	..	-	..	..	..	-
..	..	-	..	..	..	-
..	..	-	..	..	..	-
..	..	-	..	..	..	-
..	..	-	..	..	..	-
..	..	-	..	..	..	-
DATE	REV	DESCRIPTION	DWN	ENG	MFG	OTHR

**PROPRIETARY NOTICE**  
NOTICE TO ALL PERSONS RECEIVING THIS INFORMATION.  
THE INFORMATION DISCLOSED HEREIN IS THE CONFIDENTIAL INFORMATION OF EATON CORP. IS DISCLOSED IN STRICT CONFIDENCE AND SHALL NOT BE REPRODUCED, DISCLOSED OR USED IN ANY MANNER WITHOUT THE WRITTEN CONSENT OF EATON CORPORATION. COPYRIGHT EATON CORPORATION. ALL RIGHTS RESERVED.

THIRD ANGLE PROJECTION

☐ = CRITICAL DIMENSION TO BE INSPECTED

UNLESS OTHERWISE SPECIFIED DIMENSIONS ARE IN INCHES TOLERANCES ARE:

DECIMAL:	ANGULAR:
XX ± .01	∠ ± 30'
.XXX ± .005	
.XXXX ± .001	

MATL:  
.

FINISH:  
.

DWN H. WEYMOUTH  
DATE 05/05/2007

CHK	----
ENG	----
MFG	----
OTHR	----
OTHR	----

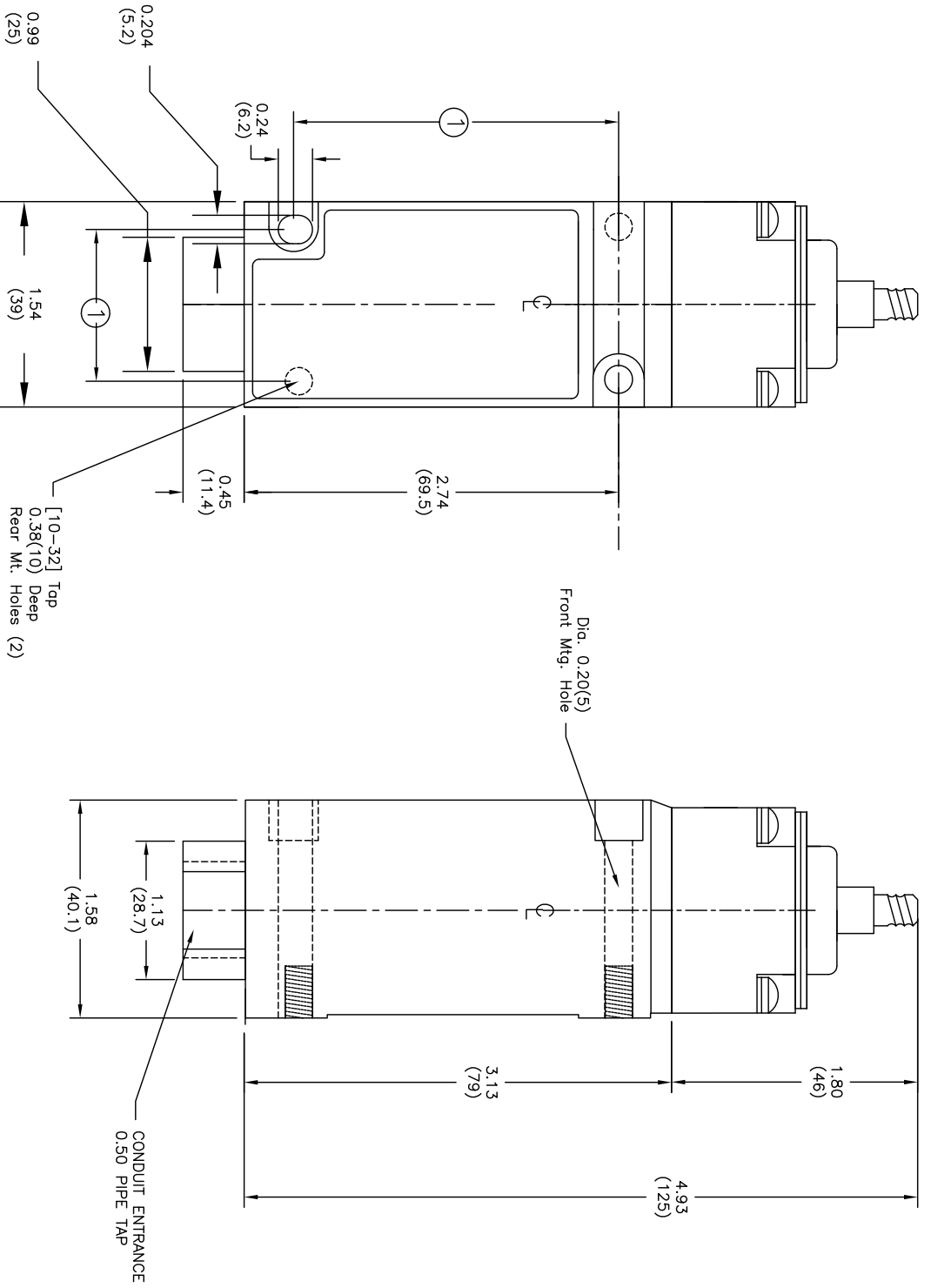
SCALE: SHT 1 OF 1

6500 HARBOUR HT'S PKWY  
SUITE 320  
MUKILTEO, WA 98275  
(425) 349-5240

**E50 Heavy-Duty  
Sealed 6P+ Maintained  
Limit Switch**

SIZE	DRAWING NO.	AutoCAD	REV
<b>A</b>	<b>90-26802-009</b>		<b>01</b>

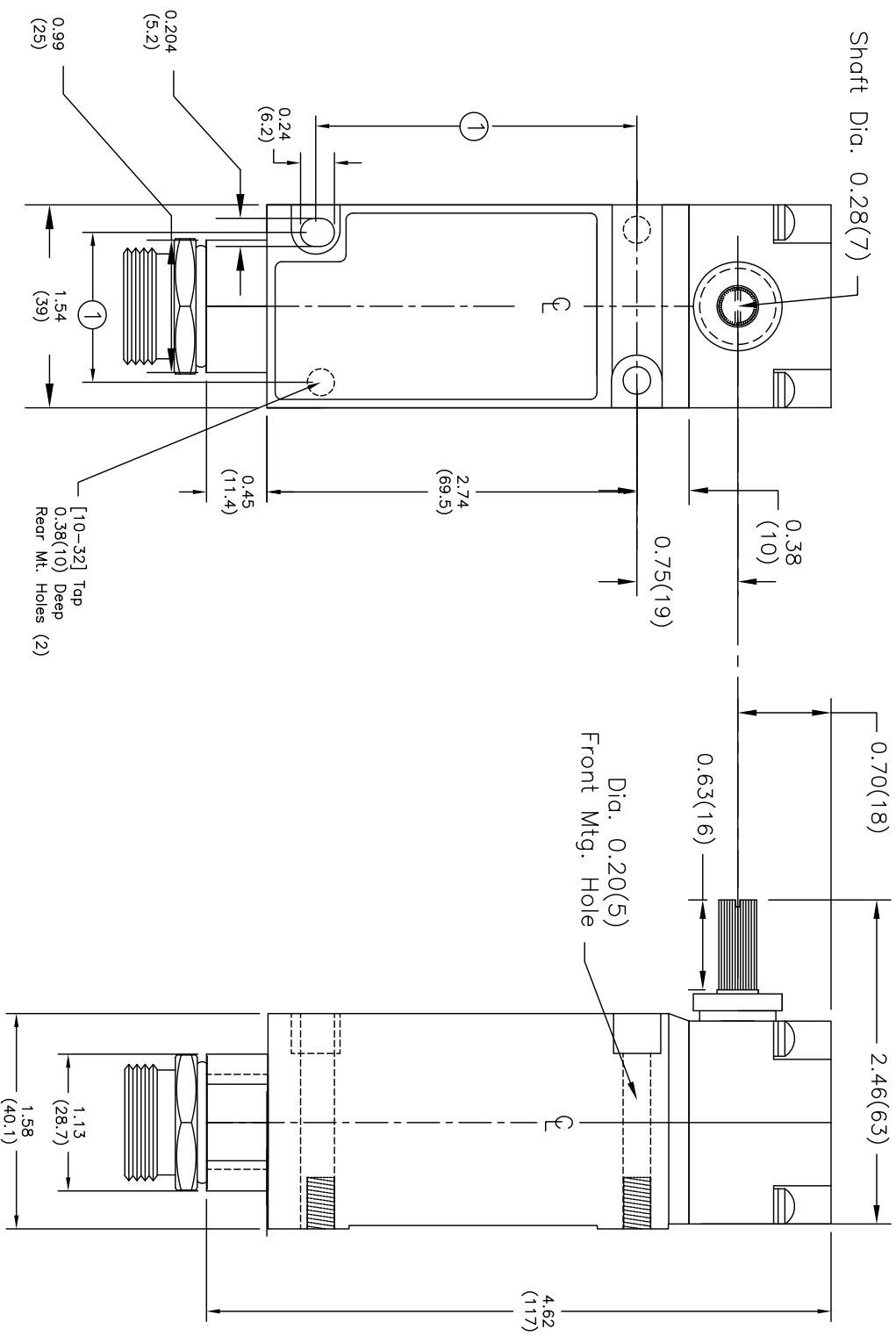
**Models:**  
**E50AW16P**  
**E50BW16P**  
**E50AW26P**  
**E50BW26P**



① Can accommodate both U.S. 1.16(29.4) x 2.34(59.5) and DIN, 1.18(30) x 3.26(60), mounting dimensions.

DATE		REV	DESCRIPTION	DWN	ENG	MFG	OTHR	<b>PROPRIETARY NOTICE</b> NOTICE TO ALL PERSONS RECEIVING THIS INFORMATION: THE INFORMATION DISCLOSED HEREIN IS THE PROPERTY OF EATON CORPORATION AND SHALL NOT BE REPRODUCED, DISCLOSED OR USED IN ANY MANNER WITHOUT THE WRITTEN CONSENT OF EATON CORPORATION. ALL RIGHTS RESERVED.		<b>UNLESS OTHERWISE SPECIFIED DIMENSIONS ARE IN INCHES TOLERANCES ARE:</b> DECIMAL: .01 .XXX ± .005 .XXXX ± .001 ANGULAR: ∠ ± 30' FINISH:		DWN H. WEYMOUTH DATE 05/05/2007		<b>EATON</b> 6500 HARBOUR HT'S PKWY SUITE 320 WA, 98275 MOULTON (425) 349-3240		<b>E50 Heavy-Duty Sealed 6P+ Wobble Stick Limit Switch</b> SIZE DRAWING NO. <b>90-26802-010</b> REV <b>01</b>	
DATE		REV	DESCRIPTION	DWN	ENG	MFG	OTHR	<b>THIRD ANGLE PROJECTION</b> 		CRITICAL DIMENSION TO BE INSPECTED		SCALE: SHT 1 OF 1		AutoCAD REV			

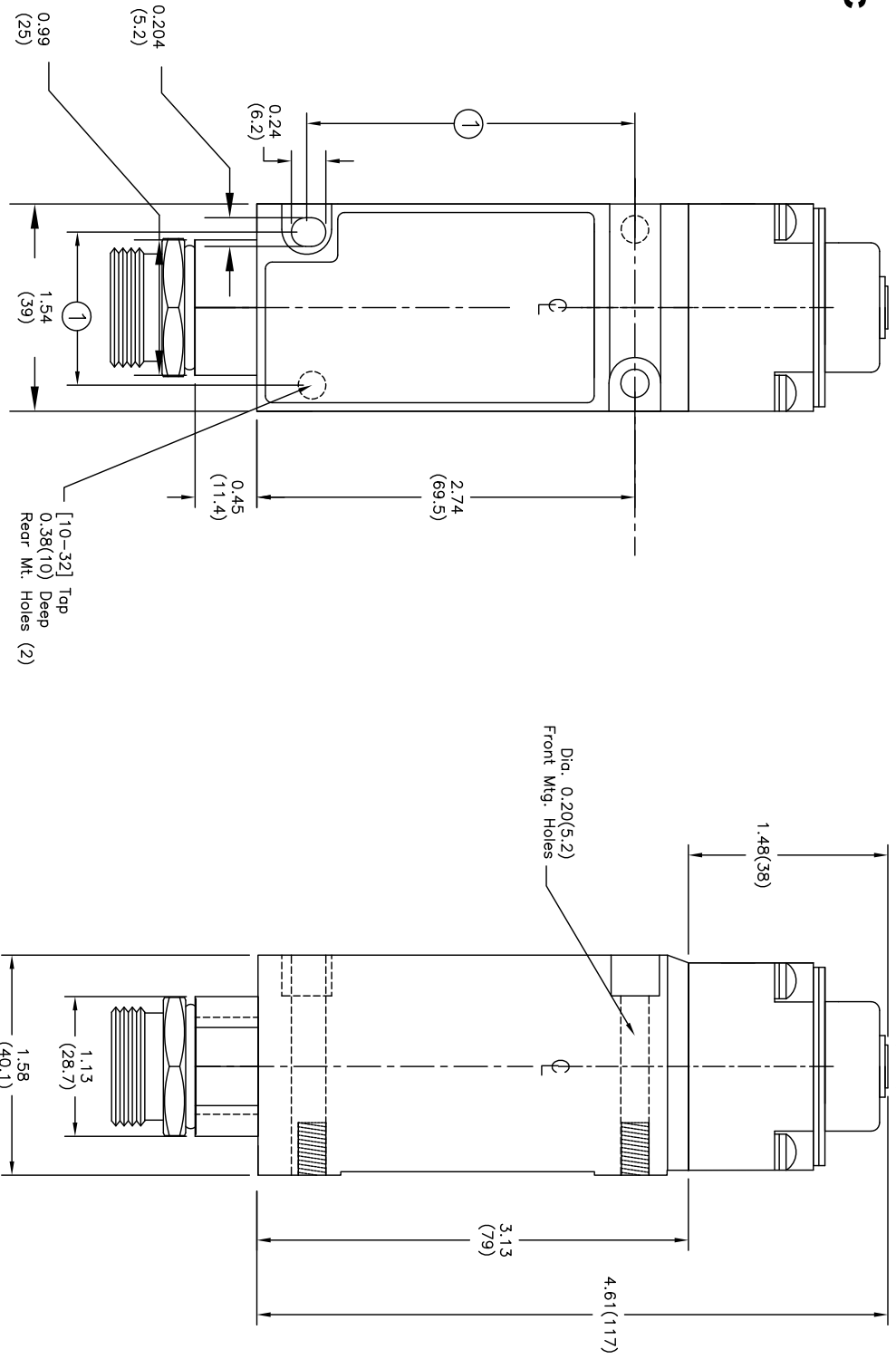
**Models:  
E50AR16P  
E50AL16P  
E50AM16P**



① Can accommodate both U.S. 1.16(29.4) x 2.34(59.5) and DIN, 1.18(30) x 3.26(60), mounting dimensions.

DATE		REV	DESCRIPTION	DWN	ENG	MFG	OTHR	<b>PROPRIETARY NOTICE</b> NOTICE TO ALL PERSONS RECEIVING THIS INFORMATION: THE INFORMATION DISCLOSED HEREIN IS THE CONFIDENTIAL INFORMATION OF EATON CORPORATION AND IS NOT TO BE REPRODUCED, DISCLOSED OR USED IN ANY MANNER WITHOUT THE WRITTEN CONSENT OF EATON CORPORATION. COPYRIGHT EATON CORPORATION. ALL RIGHTS RESERVED.		UNLESS OTHERWISE SPECIFIED DIMENSIONS ARE IN INCHES TOLERANCES ARE: DECIMAL: .01 ± .005 ANGULAR: ∠ ± 30'		DWN	H.	WEYMOUTH	<b>EATON</b> 6500 HARBOUR HT'S PKWY SUITE 320 WA 98275 MUKLETTA (425) 349-5240		SIZE <b>A</b> DRAWING NO. <b>90-26802-011</b> AutoCAD	REV <b>01</b>
DATE		REV	DESCRIPTION	DWN	ENG	MFG	OTHR	<b>THIRD ANGLE PROJECTION</b> 		FINISH: . . . . .		SCALE:	SHT	OF	<b>E50 Heavy-Duty Sealed 6P+ Side Rotary Limit Switch</b>		REV	
DATE		REV	DESCRIPTION	DWN	ENG	MFG	OTHR	<input checked="" type="checkbox"/> CRITICAL DIMENSION TO BE INSPECTED		MATL: . . . . .		SCALE:	SHT	OF	<b>90-26802-011</b>		REV	

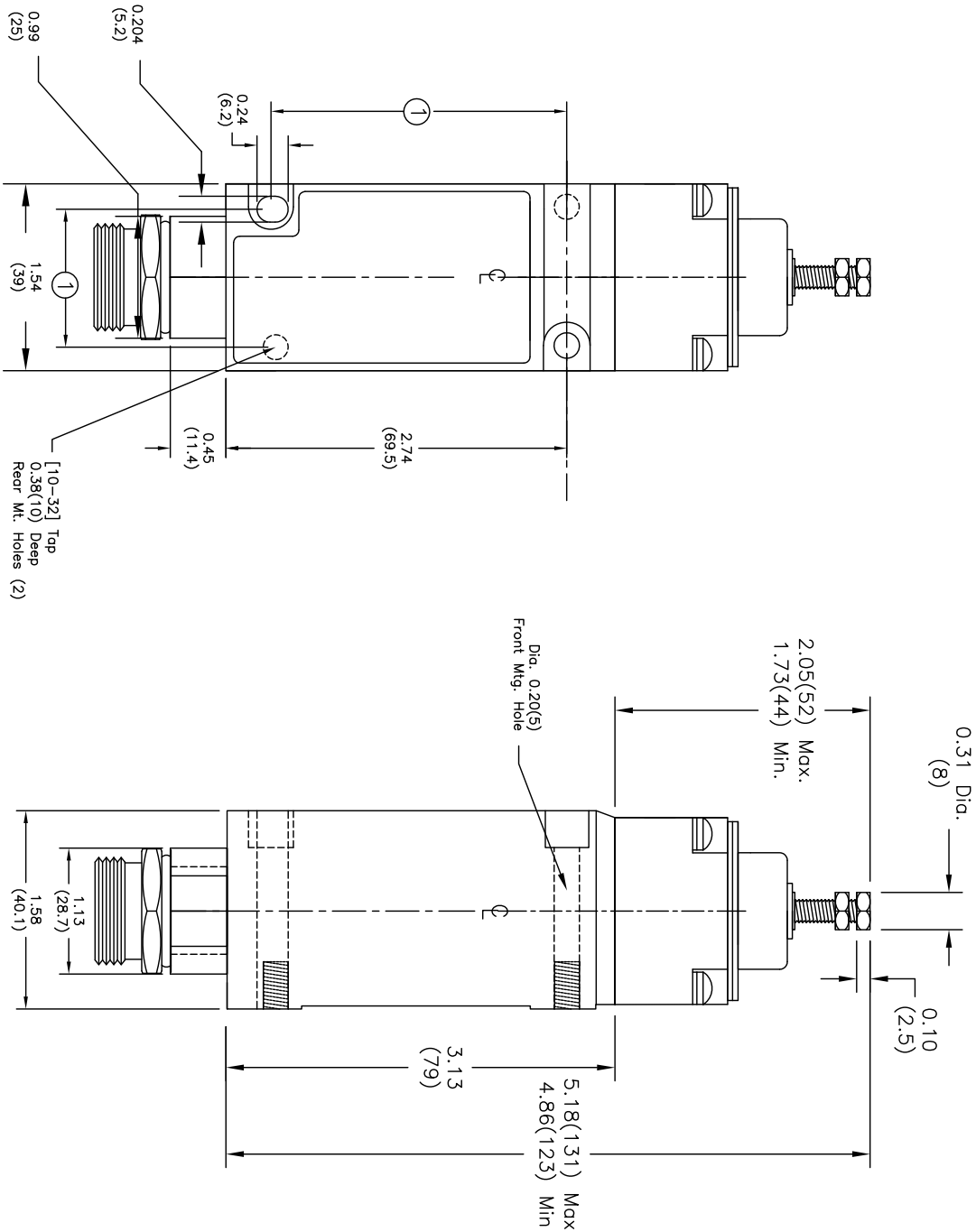
# Models: E50AT16PC



① Can accommodate both U.S. 1.16(29.4) x 2.34(59.5) and DIN, 1.18(30) x 3.26(60), mounting dimensions.

DATE	REV	DESCRIPTION	DWN	ENG	MFG	OTHR	<b>PROPRIETARY NOTICE</b> NOTICE TO ALL PERSONS RECEIVING THIS INFORMATION: THE INFORMATION DISCLOSED HEREIN IS THE PROPERTY OF EATON CORPORATION AND SHALL NOT BE REPRODUCED, DISCLOSED OR USED IN ANY MANNER WITHOUT THE WRITTEN CONSENT OF EATON CORPORATION. ALL RIGHTS RESERVED.		<b>UNLESS OTHERWISE SPECIFIED DIMENSIONS ARE IN INCHES TOLERANCES ARE:</b> DECIMAL: .01 ± .005 ANGULAR: ∠ ± 30' FINISH:		DWN H. WEYMOUTH DATE 05/05/2007		<b>EATON</b> 6500 HARBOUR HT'S PKWY SUITE 320 WA, 98275 MOULTON (425) 349-3240		<b>Size</b> DRAWING NO. <b>90-2602-012</b> <b>AutoCAD</b> REV <b>01</b> <b>E50 Heavy-Duty Sealed 6P+ Top-Push Limit Switch</b>	
..	..	-	..	..	..	-	<b>THIRD ANGLE PROJECTION</b> 		CRITICAL DIMENSION TO BE INSPECTED		SCALE: SHT 1 OF 1		<b>A</b>			

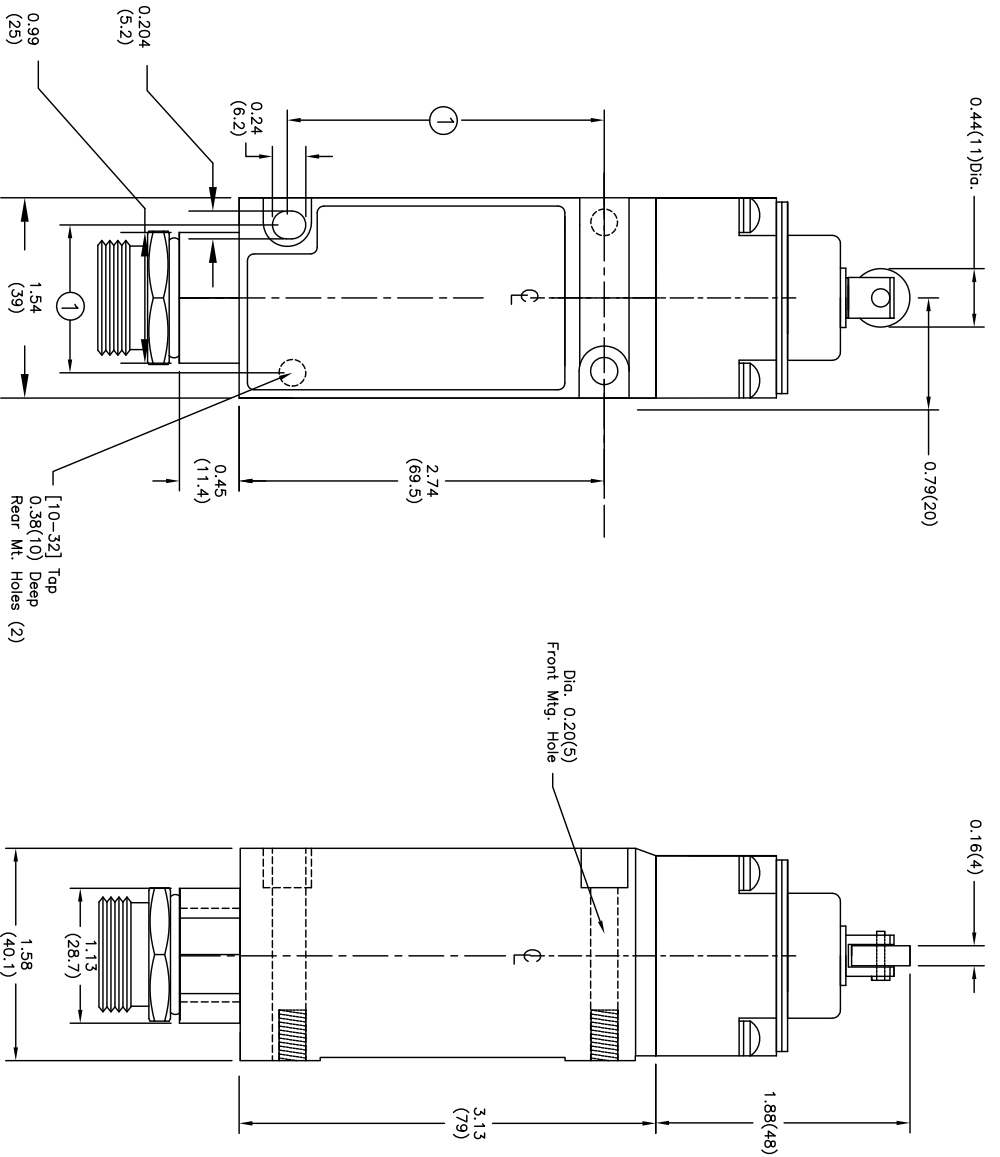
**Models:  
E50AT26PC**



① Can accommodate both U.S. 1.16(29.4) x 2.34(59.5) and DIN, 1.18(30) x 3.26(60), mounting dimensions.

<p><b>PROPRIETARY NOTICE</b> NOTICE TO ALL PERSONS RECEIVING THIS INFORMATION: THE INFORMATION DISCLOSED HEREIN IS THE PROPERTY OF EATON CORPORATION AND IS NOT TO BE REPRODUCED, DISCLOSED OR USED IN ANY MANNER WITHOUT THE WRITTEN CONSENT OF EATON CORPORATION. COPYRIGHT © EATON CORPORATION. ALL RIGHTS RESERVED.</p>		<p>UNLESS OTHERWISE SPECIFIED DIMENSIONS ARE IN INCHES TOLERANCES ARE:</p> <table border="1"> <tr> <th>DECIMAL:</th> <th>ANGULAR:</th> </tr> <tr> <td>XX ± .01</td> <td>∠ ± 30'</td> </tr> <tr> <td>XXX ± .005</td> <td></td> </tr> <tr> <td>XXXX ± .001</td> <td></td> </tr> </table>		DECIMAL:	ANGULAR:	XX ± .01	∠ ± 30'	XXX ± .005		XXXX ± .001	
DECIMAL:	ANGULAR:										
XX ± .01	∠ ± 30'										
XXX ± .005											
XXXX ± .001											
<p>THIRD ANGLE PROJECTION</p>		<p>DWN H. WEYMOUTH DATE 05/05/2007</p>									
<p>FINISH:</p>		<p>SCALE: SHT 1 OF 1</p>									
<p>DATE REV DESCRIPTION DWN ENG MFG OTHER</p>		<p>SIZE DRAWING NO. <b>A</b> <b>90-26802-013 01</b></p>									
<p><b>EATON</b> 6500 HARBOUR HT'S PKWY SUITE 320 WA, 98275 MOULTON (425) 349-3240</p>		<p><b>E50 Heavy-Duty Sealed 6P+ Adjustable Top Push Limit Switch</b> AutoCAD REV</p>									

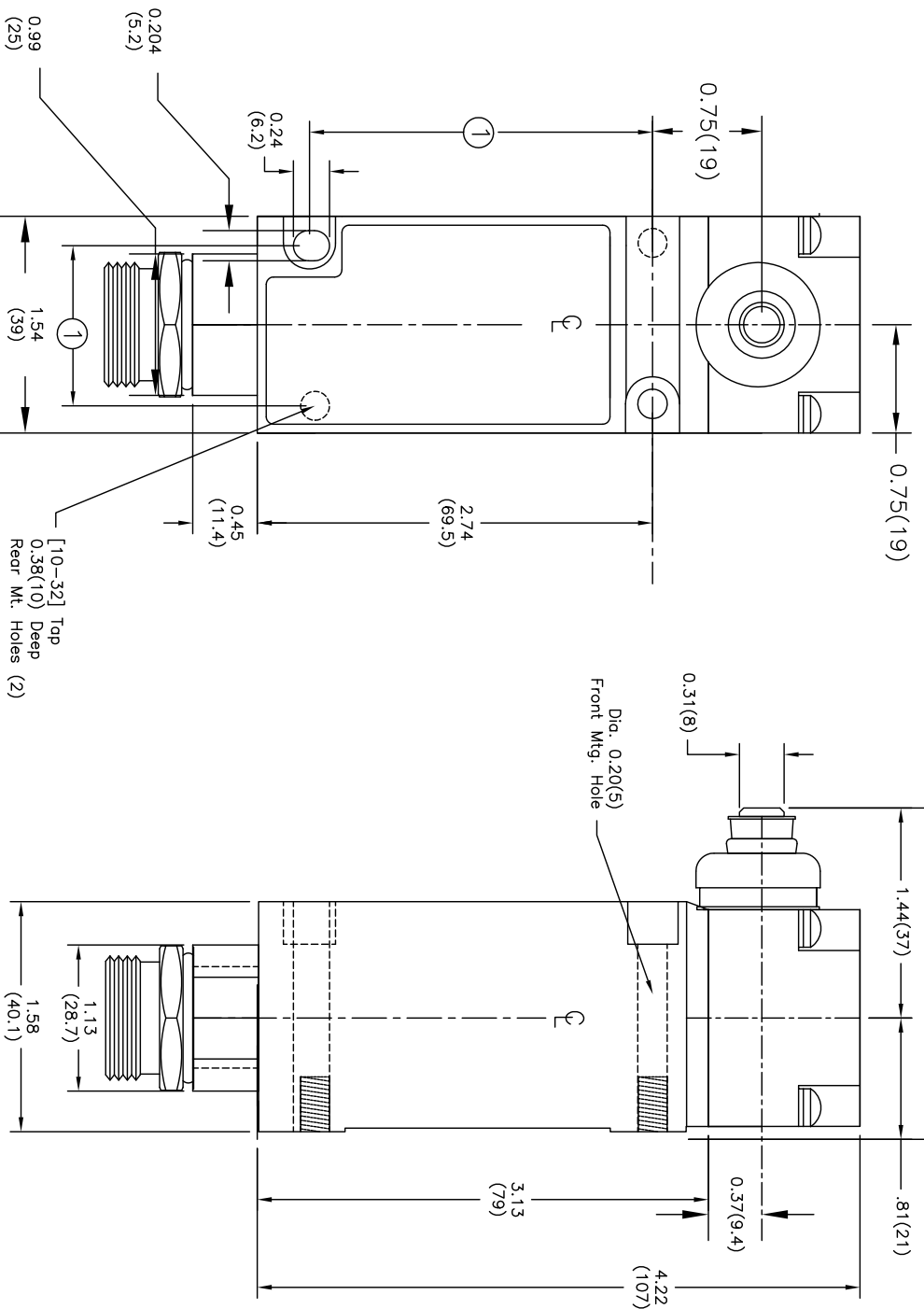
**Models:  
E50AT36PC**



① Can accommodate both U.S. 1.16(29.4) x 2.34(59.5) and DIN, 1.18(30) x 3.26(60), mounting dimensions.

DATE	REV	DESCRIPTION	DWN	ENG	MFG	OTHR	<p><b>PROPRIETARY NOTICE</b></p> <p>NOTICE TO ALL PERSONS RECEIVING THIS INFORMATION: THE NORMAL INFORMATION OF EATON CORPORATION IS DISCLOSED IN STRICT CONFIDENCE AND SHALL NOT BE REPRODUCED, DISCLOSED OR USED IN ANY MANNER WITHOUT THE WRITTEN CONSENT OF EATON CORPORATION. COPYRIGHT EATON CORPORATION. ALL RIGHTS RESERVED.</p> <p>THIRD ANGLE PROJECTION</p> <p>CRITICAL DIMENSION TO BE INSPECTED</p>	<p>UNLESS OTHERWISE SPECIFIED DIMENSIONS ARE IN INCHES TOLERANCES ARE:</p> <p>DECIMAL: .01</p> <p>ANGULAR: <math>\angle \pm 30'</math></p> <p>FINISH:</p>	<p>DWN H. WEYMOUTH</p> <p>DATE 05/05/2007</p> <p>CHK</p> <p>ENG</p> <p>MFG</p> <p>OTHR</p> <p>SCALE: SHT 1 OF 1</p>	<p><b>EATON</b></p> <p>5500 HARBOUR HT'S PKWY SUITE 320 MUKILTEO WA 98275 (425) 349-5240</p> <p><b>E50 Heavy-Duty Sealed 6P+ Top-Push Roller Limit Switch</b></p> <p>SIZE DRAWING NO. <b>A 90-26802-014</b></p> <p>REV <b>01</b></p>
------	-----	-------------	-----	-----	-----	------	--	---	---	--

Models:  
**E50AS16PC**



① Can accommodate both U.S. 1.16(29.4) x 2.34(59.5) and DIN, 1.18(30) x 3.26(60), mounting dimensions.

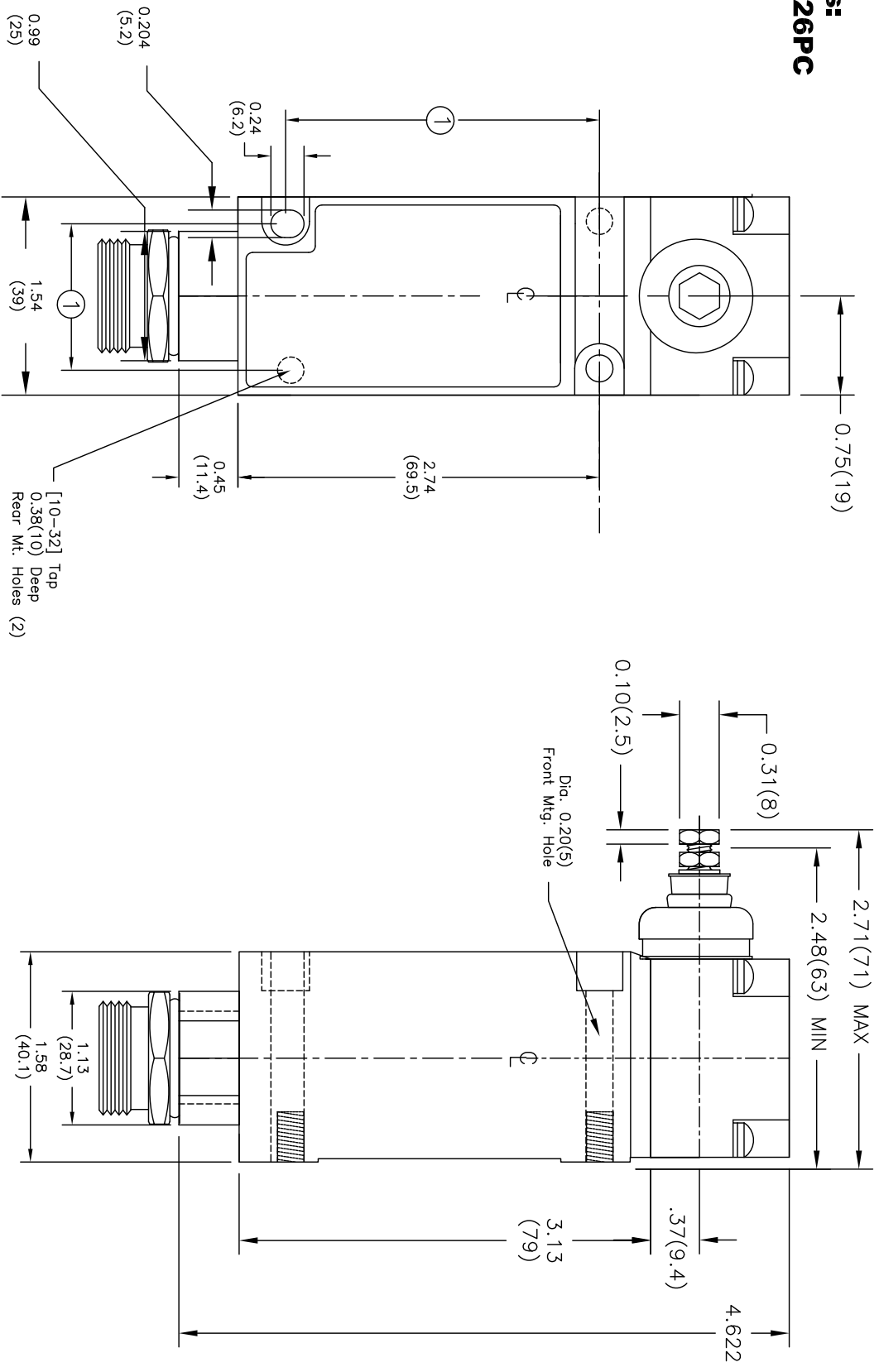
								<b>PROPRIETARY NOTICE</b> NOTICE TO ALL PERSONS RECEIVING THIS INFORMATION: THE INFORMATION DISCLOSED HEREIN IS THE PROPERTY OF EATON CORPORATION AND SHALL NOT BE REPRODUCED, DISCLOSED OR USED IN ANY MANNER WITHOUT THE WRITTEN CONSENT OF EATON CORPORATION. COPYRIGHT EATON CORPORATION. ALL RIGHTS RESERVED.	
<b>UNLESS OTHERWISE SPECIFIED DIMENSIONS ARE IN INCHES TOLERANCES ARE:</b>									
DECIMAL:		ANGULAR:		DATE		<b>DWN H. WEYMOUTH</b> 05/05/2007			
.XX ± .01		∠ ± 30'		CHK					
.XXX ± .005				ENG					
.XXXX ± .001				MFG					
MATT: .				OTHR					
FINISH: .				OTHR					
SCALE:				SHT		OF		SIZE DRAWING NO. <b>A 90-26802-015 01</b> <small>AutoCAD</small> REV	
1				1		1			

**EATON**  
 6500 HARBOUR HT'S PKWY  
 SUITE 320 WA, 98275  
 MOBILE (425) 349-3240

**E50 Heavy-Duty**  
**Sealed 6P+ Side-Push**  
**Limit Switch**

AutoCAD REV  
 SIZE DRAWING NO. **A 90-26802-015 01**

**Models:  
E50ASS26PC**

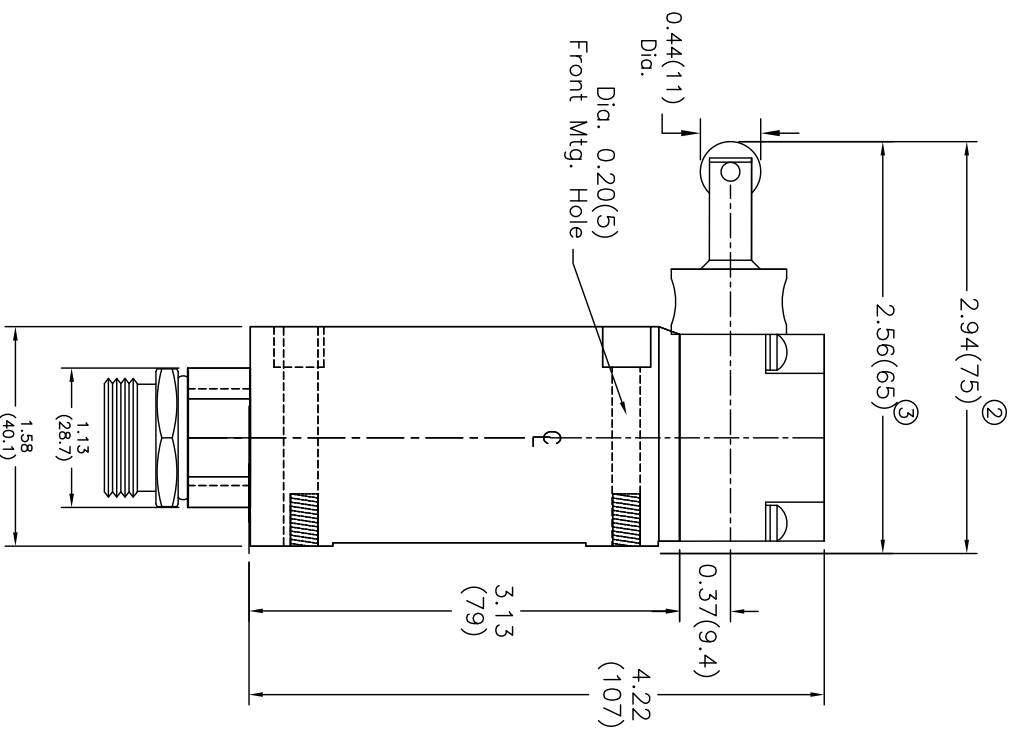
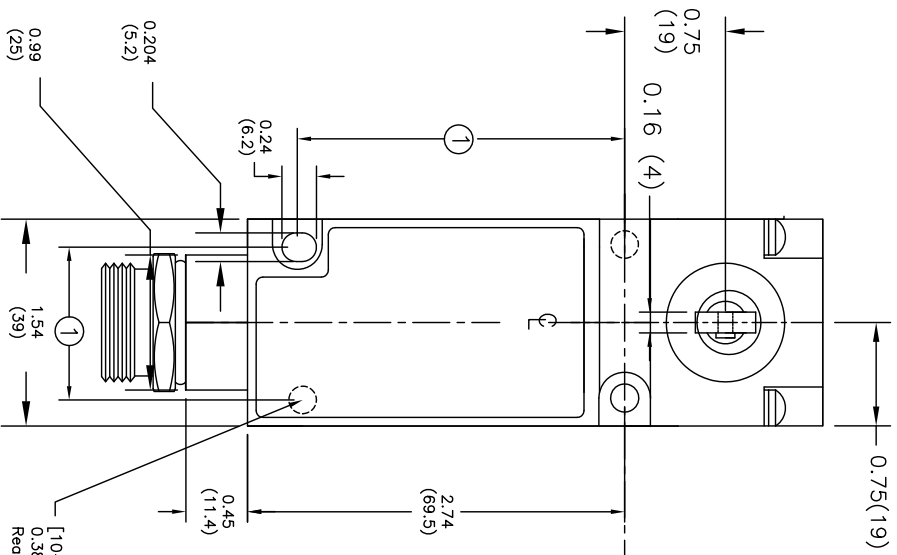


① Can accommodate both U.S. 1.16(29.4) x 2.34(59.5) and DIN, 1.18(30) x 3.26(60), mounting dimensions.

DATE	REV	DESCRIPTION	DWN	ENG	MFG	OTHR	<b>PROPRIETARY NOTICE</b> NOTICE TO ALL PERSONS RECEIVING THIS INFORMATION: THE INFORMATION DISCLOSED HEREIN IS THE PROPERTY OF EATON CORPORATION AND SHALL NOT BE REPRODUCED, DISCLOSED OR USED IN ANY MANNER WITHOUT THE WRITTEN CONSENT OF EATON CORPORATION. ALL RIGHTS RESERVED.		<b>UNLESS OTHERWISE SPECIFIED DIMENSIONS ARE IN INCHES TOLERANCES ARE:</b> DECIMAL: .01 ANGULAR: $\angle \pm 30'$ FINISH:		DWN	H.	W.	<b>EATON</b> 6500 HARBOUR HT'S PKWY SUITE 320 WA, 98275 MOULTON (425) 349-3240	
							<b>THIRD ANGLE PROJECTION</b> 		DATE 05/05/2007 CHK ENG MFG OTHR OTHR					<b>E50 Heavy-Duty Sealed 6P+ Adjustable Side-PushLimit Switch</b> SIZE DRAWING NO. <b>90-26802-016</b> REV <b>01</b>	
							<b>CRITICAL DIMENSION TO BE INSPECTED</b>		SCALE: SHT 1 OF 1					AutoCAD REV	



**Model:**  
**E50ASS36PC**



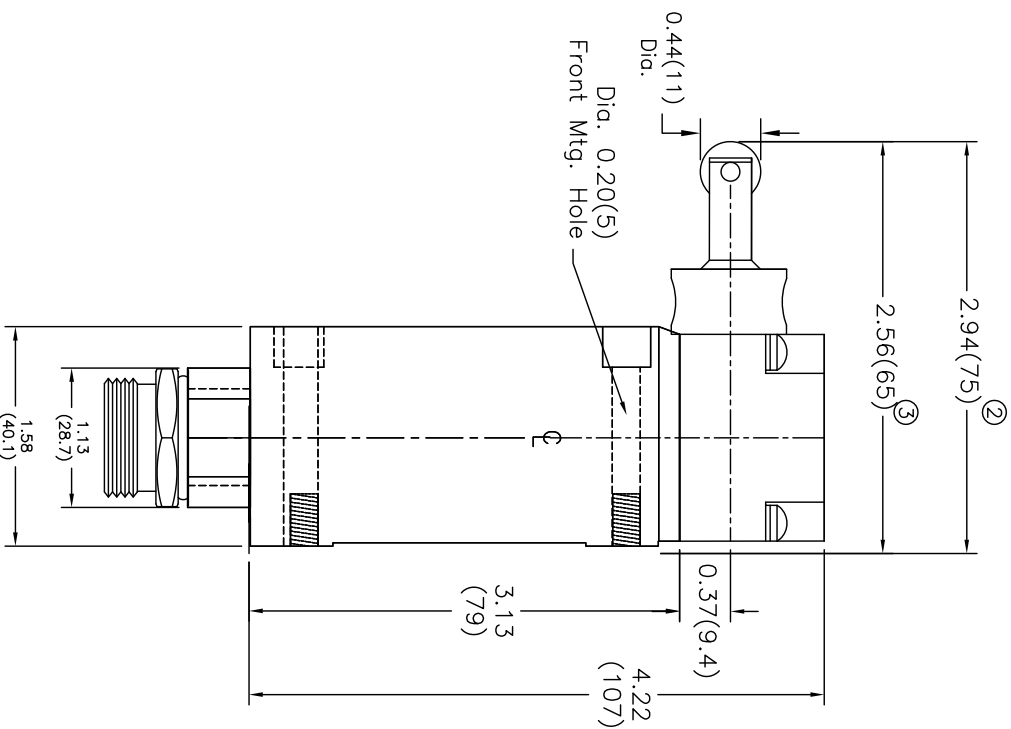
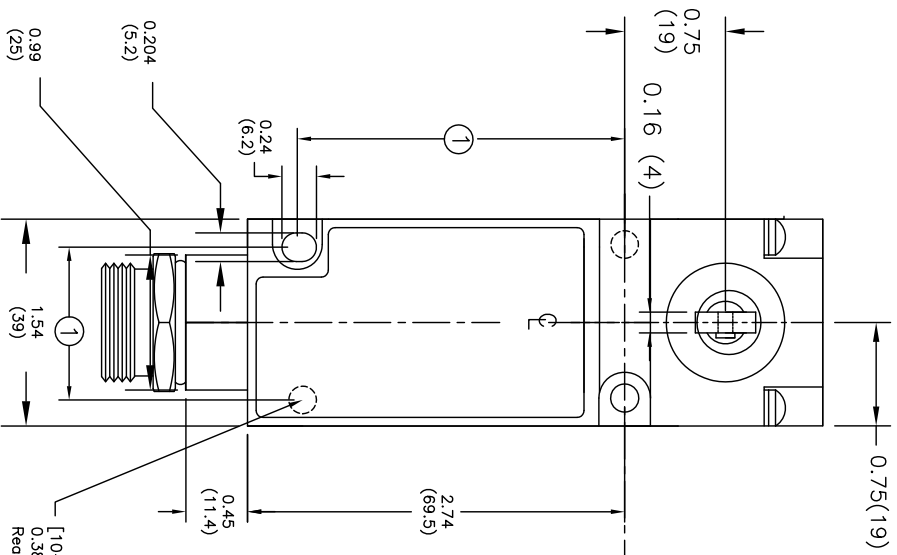
① Can accommodate both U.S. 1.16(29.4) x 2.34(59.5) and DIN, 1.18(30) x 3.26(60), mounting dimensions.

② For E50DS4.

③ For E50DS3.

DATE	REV	DESCRIPTION	DWN	ENG	MFG	OTHR	<b>PROPRIETARY NOTICE</b> NOTICE TO ALL PERSONS RECEIVING THIS INFORMATION: THE INFORMATION DISCLOSED HEREIN IS THE PROPERTY OF EATON CORPORATION AND IS NOT TO BE REPRODUCED, DISCLOSED OR USED IN ANY MANNER WITHOUT THE WRITTEN CONSENT OF EATON CORPORATION. ALL RIGHTS RESERVED.		UNLESS OTHERWISE SPECIFIED DIMENSIONS ARE IN INCHES TOLERANCES ARE: DECIMAL: .01 ANGULAR: $\angle \pm 30'$ FINISH:		DWN	H.	WEYMOUTH
..	..	..	..	..	..	..	THIRD ANGLE PROJECTION 		MATL:		DATE	05/05/2007	
..	..	..	..	..	..	..	CRITICAL DIMENSION TO BE INSPECTED		.XXX ± .005 .XXXX ± .001		CHK	---	
..	..	..	..	..	..	..	CRITICAL DIMENSION TO BE INSPECTED		.XXX ± .005 .XXXX ± .001		ENG	---	
..	..	..	..	..	..	..	CRITICAL DIMENSION TO BE INSPECTED		.XXX ± .005 .XXXX ± .001		MFG	---	
..	..	..	..	..	..	..	CRITICAL DIMENSION TO BE INSPECTED		.XXX ± .005 .XXXX ± .001		OTHR	---	
..	..	..	..	..	..	..	CRITICAL DIMENSION TO BE INSPECTED		.XXX ± .005 .XXXX ± .001		OTHR	---	
..	..	..	..	..	..	..	CRITICAL DIMENSION TO BE INSPECTED		.XXX ± .005 .XXXX ± .001		SCALE:	SHT 1 OF 1	
<b>EATON</b> 6500 HARBOUR HT'S PKWY SUITE 320 WA, 98275 (425) 349-3240											SIZE DRAWING NO. <b>A 90-26802-017 01</b>		
<b>E50 Heavy-Duty Sealed 6P+ Side-Push Roller Limit Switch</b>											AutoCAD REV		

**Model:**  
**E50AS46PC**



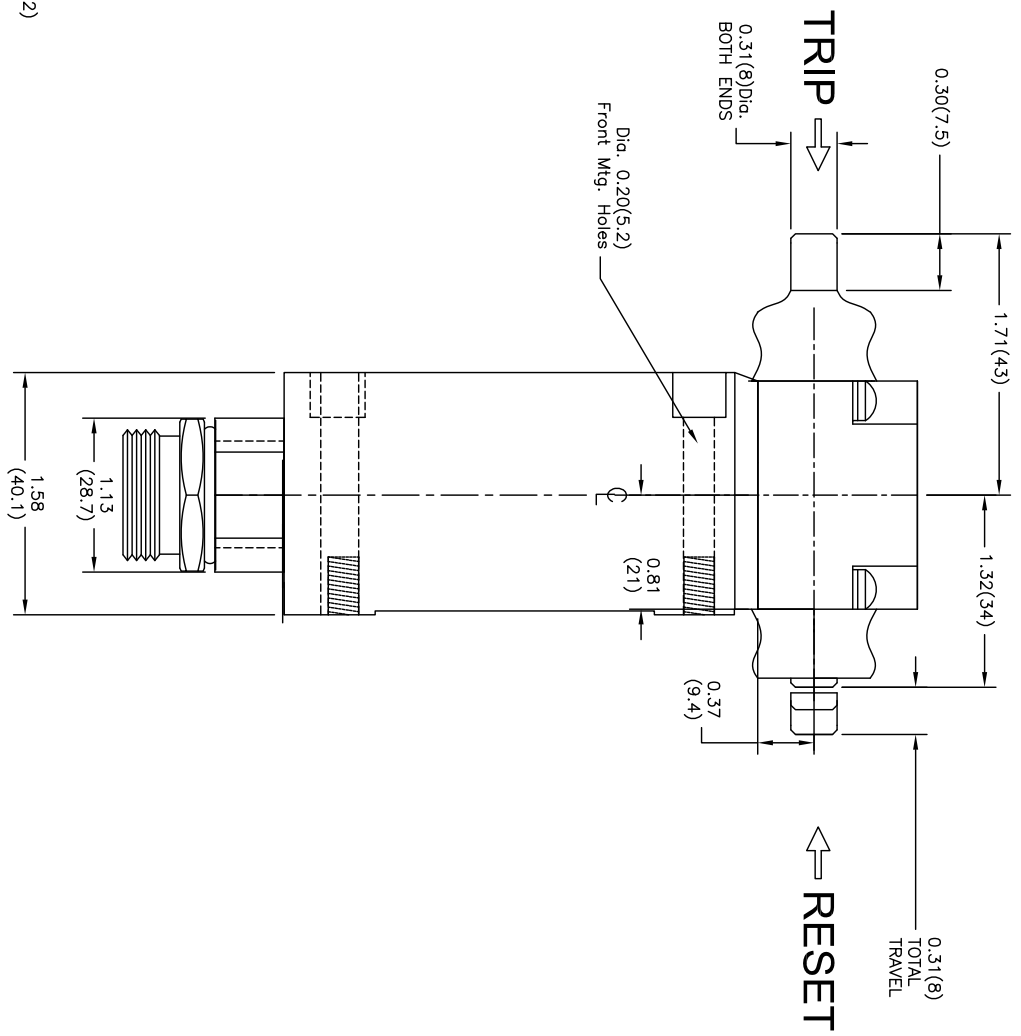
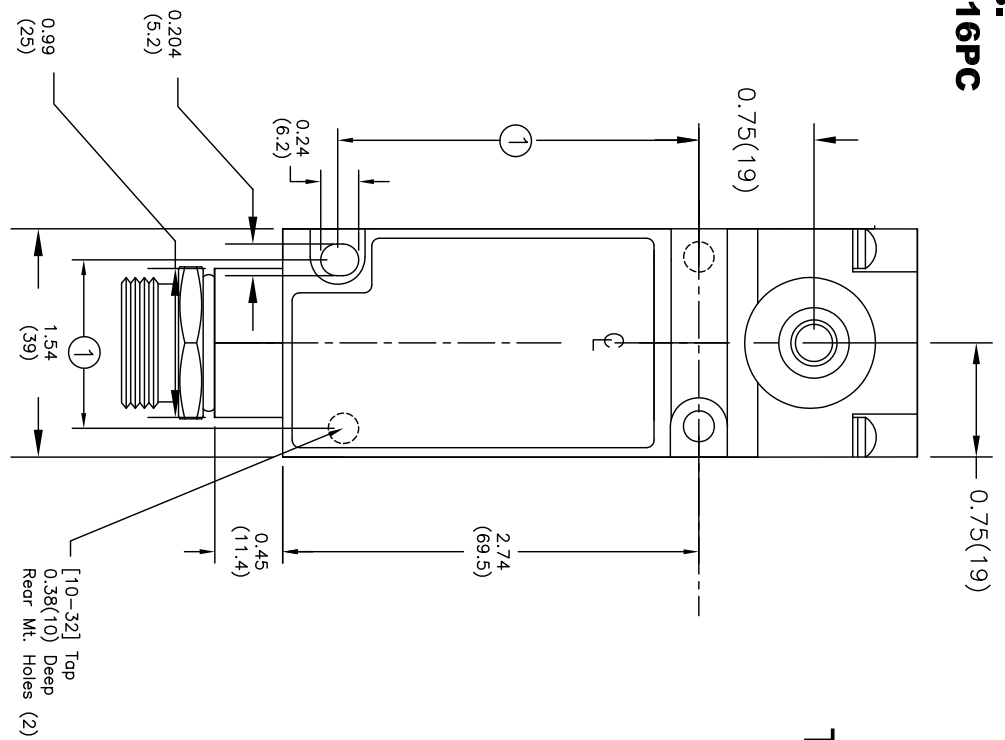
① Can accommodate both U.S. 1.16(29.4) x 2.34(59.5) and DIN, 1.18(30) x 3.26(60), mounting dimensions.

② For E50DS4.

③ For E50DS3.

DATE	REV	DESCRIPTION	DWN	ENG	MFG	OTHR	<b>PROPRIETARY NOTICE</b> NOTICE TO ALL PERSONS RECEIVING THIS INFORMATION: THE INFORMATION DISCLOSED HEREIN IS THE PROPERTY OF EATON CORPORATION AND IS NOT TO BE REPRODUCED, DISCLOSED OR USED IN ANY MANNER WITHOUT THE WRITTEN CONSENT OF EATON CORPORATION. ALL RIGHTS RESERVED.		UNLESS OTHERWISE SPECIFIED DIMENSIONS ARE IN INCHES TOLERANCES ARE: DECIMAL: .01 ANGULAR: $\angle \pm 30'$ FINISH:		DWN	H.	WEYMOUTH	<b>EATON</b> 6500 HARBOUR HT'S PKWY SUITE 320 WA, 98275 MOULTON (425) 349-3240	
..	..	..	..	..	..	-	THIRD ANGLE PROJECTION 		..	..	..	..	<b>E50 Heavy-Duty Sealed 6P+ Side-Push Roller Limit Switch</b> SIZE DRAWING NO. <b>90-26802-018 01</b>		
..	..	..	..	..	..	-	CRITICAL DIMENSION TO BE INSPECTED		..	..	..	..	AutoCAD REV		

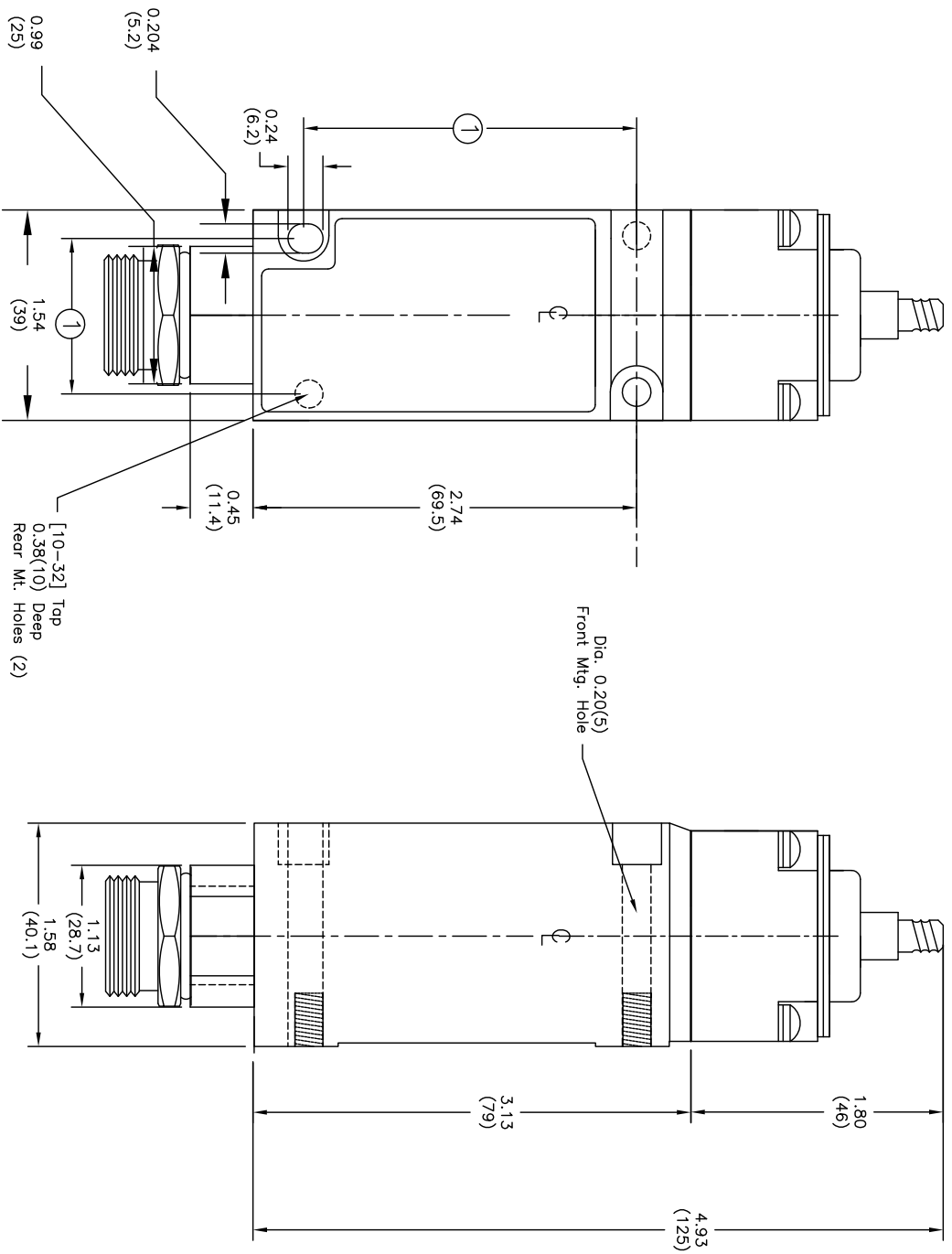
**Models:  
E50AH16PC**



① Can accommodate both U.S. 1.16(29.4) x 2.34(59.5) and DIN, 1.18(30) x 3.26(60), mounting dimensions.

DATE	REV	DESCRIPTION	DWN	ENG	MFG	OTHR	<b>PROPRIETARY NOTICE</b> NOTICE TO ALL PERSONS RECEIVING THIS INFORMATION: THE INFORMATION DISCLOSED HEREIN IS THE PROPERTY OF EATON CORPORATION AND SHALL NOT BE REPRODUCED, DISCLOSED OR USED IN ANY MANNER WITHOUT THE WRITTEN CONSENT OF EATON CORPORATION. ALL RIGHTS RESERVED.		UNLESS OTHERWISE SPECIFIED DIMENSIONS ARE IN INCHES TOLERANCES ARE: DECIMAL: .01 ANGULAR: $\angle \pm 30'$ FINISH:		DWN H. WEYMOUTH DATE 05/05/2007		<b>EATON</b> 6500 HARBOUR HT'S PKWY SUITE 320 WA, 98275 MOULTON (425) 349-3240		<b>E50 Heavy-Duty Sealed 6P+ Maintained Limit Switch</b>		SIZE A DRAWING NO. 90-26802-019 01	AutoCAD REV
..	..	-	..	..	..	-	<b>CRITICAL DIMENSION TO BE INSPECTED</b>		MATL:		SHT 1 OF 1		AutoCAD REV		AutoCAD REV			
..	..	-	..	..	..	-	THIRD ANGLE PROJECTION		.XXX ± .005 .XXX ± .001		SCALE:		AutoCAD REV		AutoCAD REV			
..	..	-	..	..	..	-	FINISH:		.XXX ± .005 .XXX ± .001		SHT 1 OF 1		AutoCAD REV		AutoCAD REV			

**Models:  
E50AW16PC  
E50AW26PC**



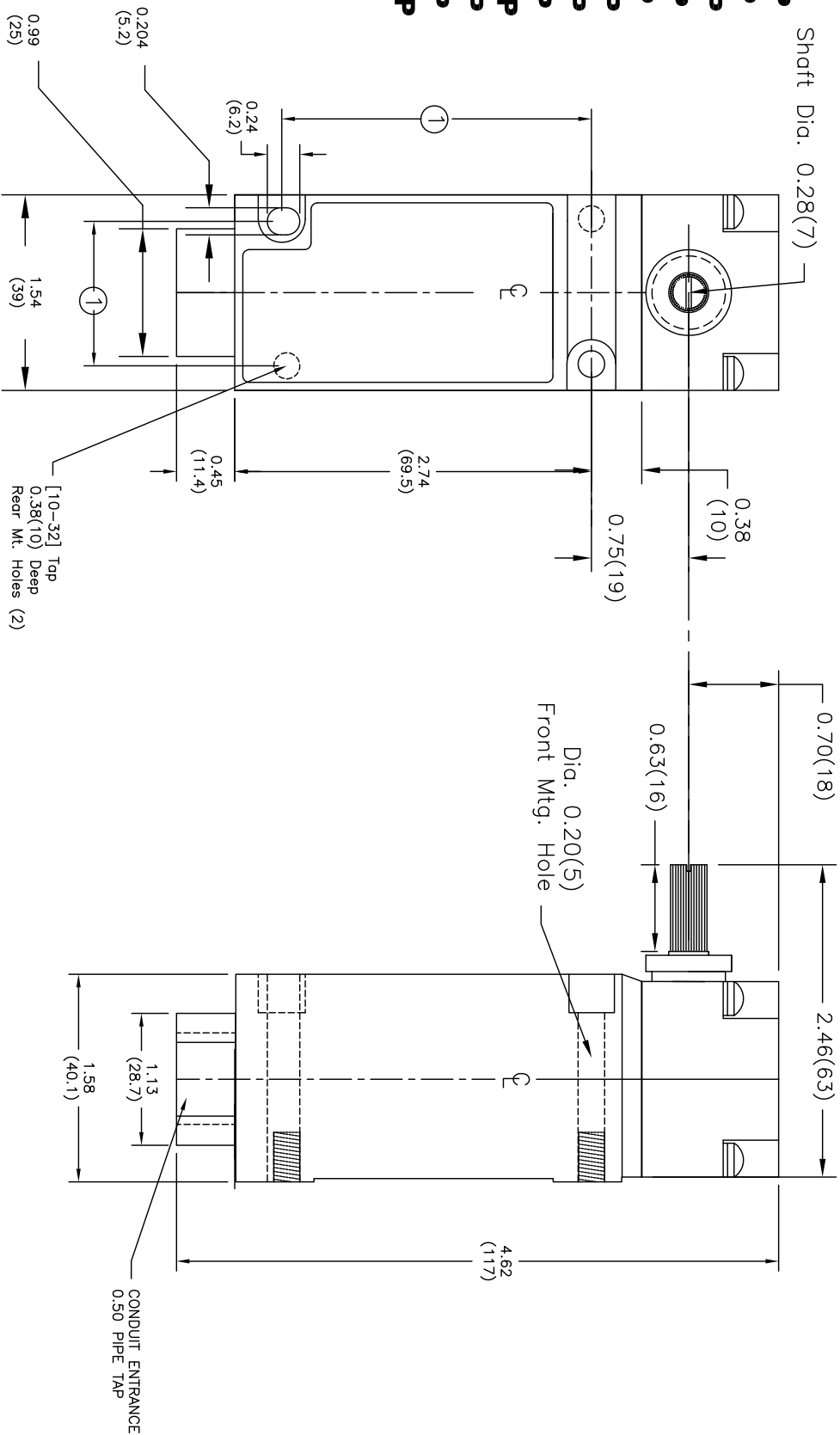
① Can accommodate both U.S. 1.16(29.4) x 2.34(59.5) and DIN, 1.18(30) x 3.26(60), mounting dimensions.

<p><b>PROPRIETARY NOTICE</b> NOTICE TO ALL PERSONS RECEIVING THIS INFORMATION: THE INFORMATION DISCLOSED HEREIN IS THE PROPERTY OF EATON CORPORATION AND IS NOT TO BE REPRODUCED, DISCLOSED OR USED IN ANY MANNER WITHOUT THE WRITTEN CONSENT OF EATON CORPORATION. ALL RIGHTS RESERVED.</p>				<p><b>UNLESS OTHERWISE SPECIFIED DIMENSIONS ARE IN INCHES TOLERANCES ARE:</b></p> <table border="1"> <tr> <td>DECIMAL:</td> <td>ANGULAR:</td> </tr> <tr> <td>.XX ± .01</td> <td>∠ ± 30'</td> </tr> <tr> <td>.XXX ± .005</td> <td></td> </tr> <tr> <td>.XXXX ± .001</td> <td></td> </tr> </table> <p>MATL: _____</p> <p>FINISH: _____</p>				DECIMAL:	ANGULAR:	.XX ± .01	∠ ± 30'	.XXX ± .005		.XXXX ± .001	
DECIMAL:	ANGULAR:														
.XX ± .01	∠ ± 30'														
.XXX ± .005															
.XXXX ± .001															
<p>DATE REV</p>		<p>DESCRIPTION</p>		<p>DWN H. WEYMOUTH</p> <p>DATE 05/05/2007</p>		<p>SIZE DRAWING NO. <b>A</b></p> <p>AutoCAD REV</p>									
DWN	ENG	MFG	OTHR	CRITICAL DIMENSION TO BE INSPECTED	SCALE:	SHT 1	OF 1								

**EATON** 6500 HARBOUR HT'S PKWY  
SUITE 320 WA, 98275  
MOULTON (425) 349-3240

**E50 Heavy-Duty Sealed 6P+ Wobble Stick Limit Switch**

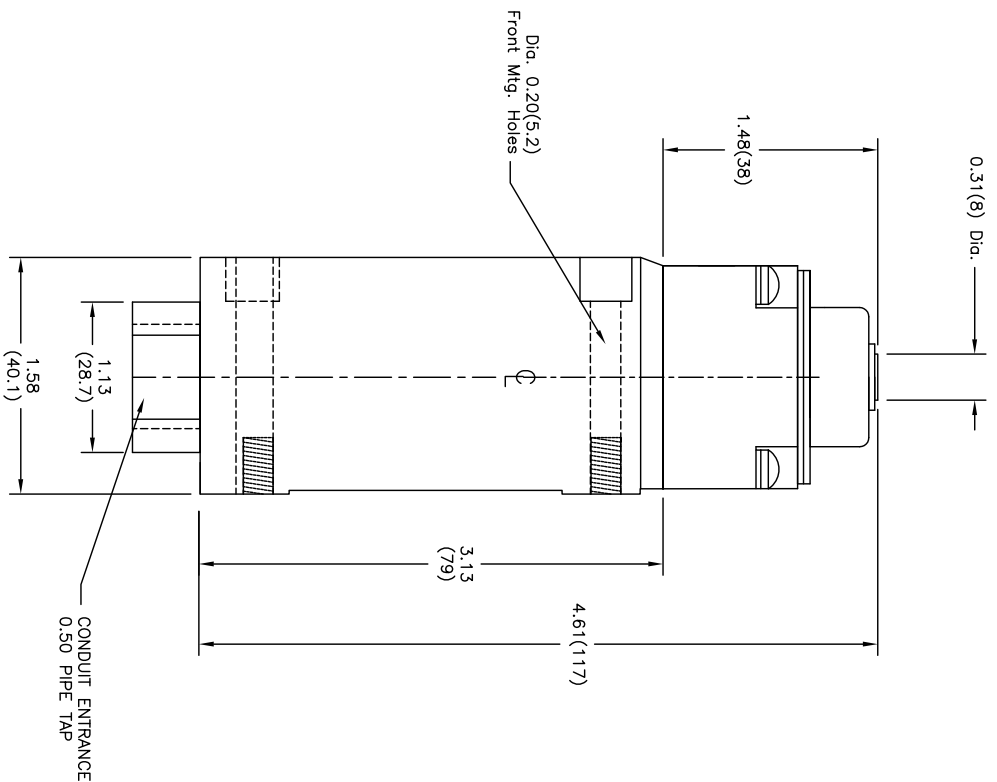
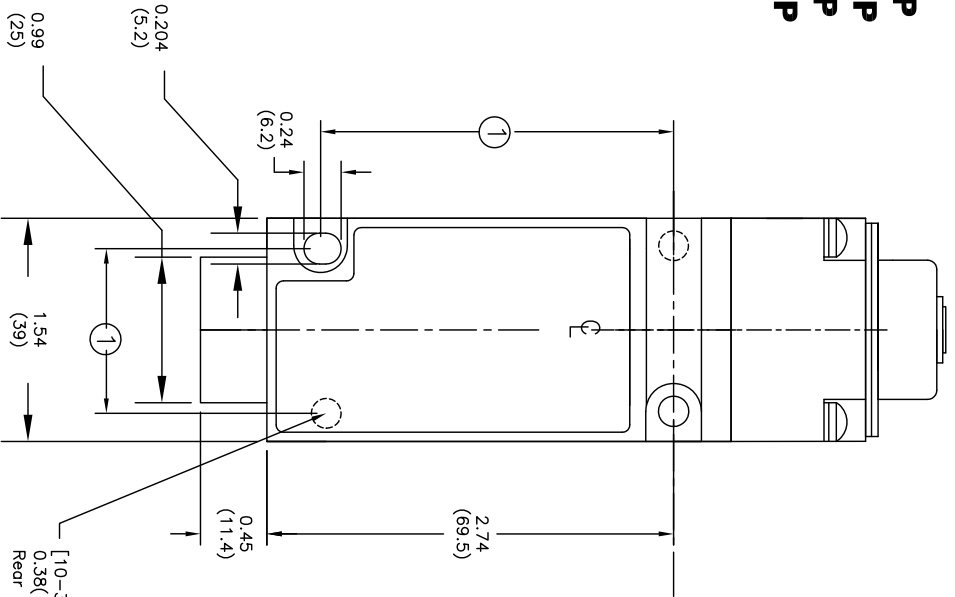
**Models:**  
**E50ALR16P**  
**E50ALL16P**  
**E50ALM16P**  
**E50BLR16P**  
**E50BL16P**  
**E50BLM16P**  
**E50ANR16P**  
**E50ANL16P**  
**E50ANM16P**  
**E50BNR16P**  
**E50BNL16P**  
**E50BNM16P**



① Can accommodate both U.S. 1.16(29.4) x 2.34(59.5) and DIN, 1.18(30) x 3.26(60), mounting dimensions.

<p><b>PROPRIETARY NOTICE</b>          NOTICE TO ALL PERSONS RECEIVING THIS INFORMATION: THE INFORMATION DISCLOSED HEREIN IS THE CONFIDENTIAL INFORMATION OF EATON CORPORATION AND IS NOT TO BE REPRODUCED, DISCLOSED OR USED IN ANY MANNER WITHOUT THE WRITTEN CONSENT OF EATON CORPORATION. ALL RIGHTS RESERVED.</p>				<p>UNLESS OTHERWISE SPECIFIED DIMENSIONS ARE IN INCHES TOLERANCES ARE:</p> <table border="1"> <tr> <td>DECIMAL:</td> <td>ANGULAR:</td> </tr> <tr> <td>XX ± .01</td> <td>∠ ± 30'</td> </tr> <tr> <td>XXX ± .005</td> <td></td> </tr> <tr> <td>XXXX ± .001</td> <td></td> </tr> </table>				DECIMAL:	ANGULAR:	XX ± .01	∠ ± 30'	XXX ± .005		XXXX ± .001	
DECIMAL:	ANGULAR:														
XX ± .01	∠ ± 30'														
XXX ± .005															
XXXX ± .001															
<p>THIRD ANGLE PROJECTION</p>				<p>DWN H. WEYMOUTH</p> <p>DATE 05/05/2007</p>											
<p>FINISH:</p>				<p>SCALE: SHT 1 OF 1</p>											
<p>DATE REV</p>				<p>SIZE DRAWING NO. <b>A</b></p>											
<p>DESCRIPTION</p>				<p>AutoCAD REV</p>											
<p>DWN ENG MFG OTHER</p>				<p><b>E50 Heavy-Duty Sealed 6P+ Side Rotary Limit Switch</b></p>											
<p>90-26802-021</p>				<p>AutoCAD REV</p>											
<p>01</p>				<p>5500 HARBOUR HT'S PKWY          SUITE 320 WA 98275          MUKLITZ, WA 98275          (425) 349-5240</p>											

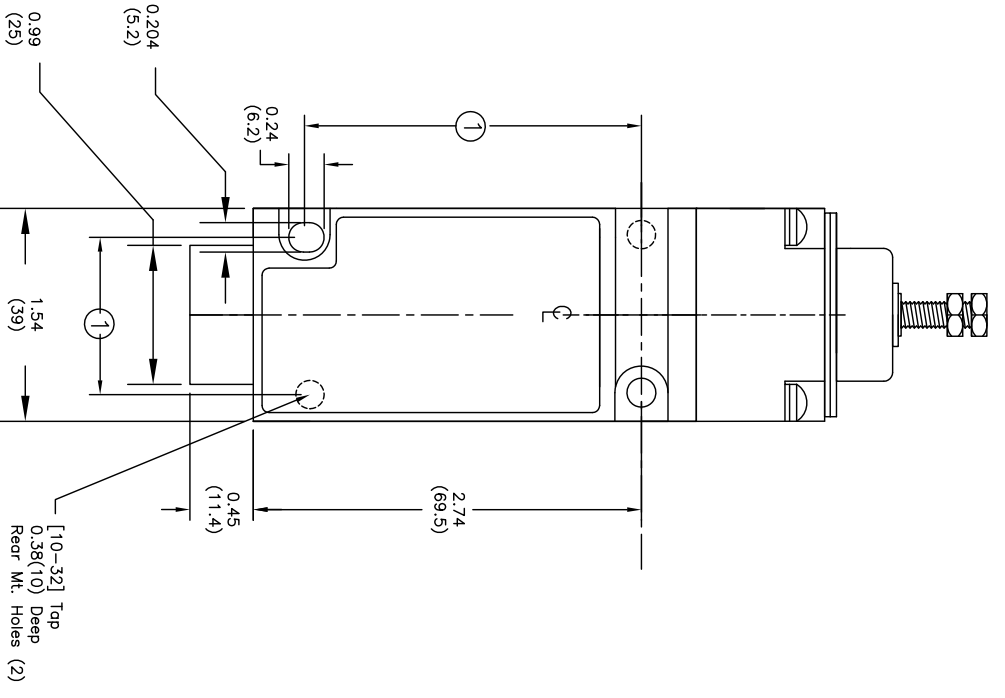
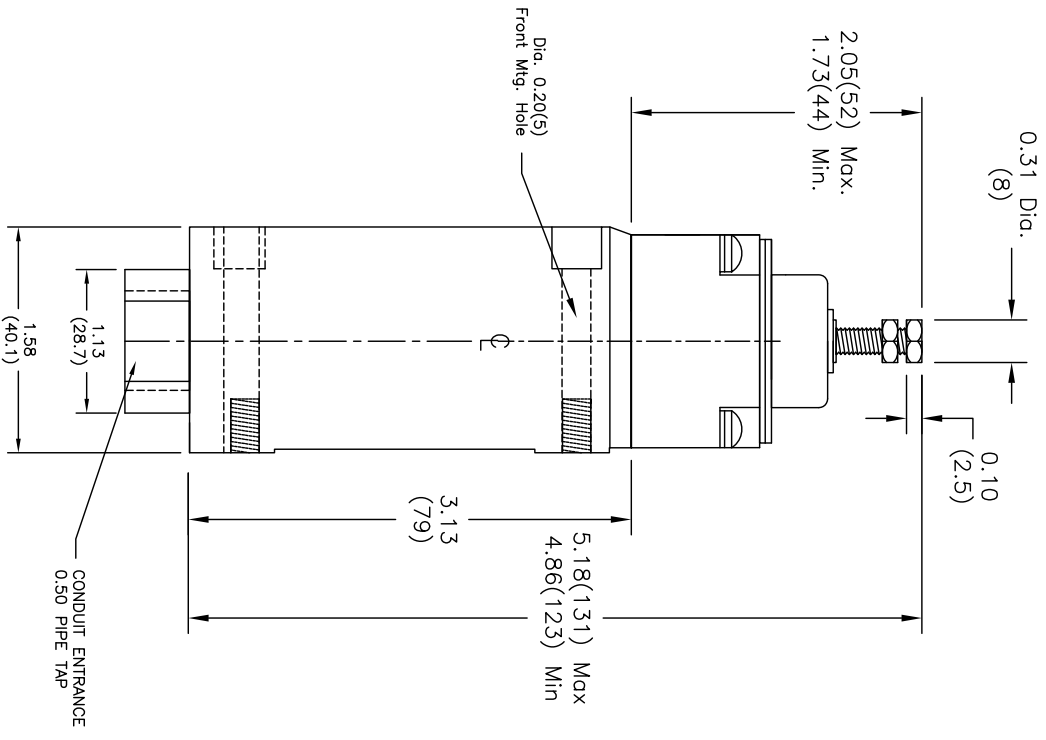
**Models:**  
**E50ALT16P**  
**E50ANT16P**  
**E50BLT16P**  
**E50BNT16P**



① Can accommodate both U.S. 1.16(29.4) x 2.34(59.5) and DIN, 1.18(30) x 3.26(60), mounting dimensions.

DATE	REV	DESCRIPTION	DWN	ENG	MFG	OTHR	<b>PROPRIETARY NOTICE</b> NOTICE TO ALL PERSONS RECEIVING THIS INFORMATION: THE INFORMATION DISCLOSED HEREIN IS THE PROPERTY OF EATON CORPORATION AND SHALL NOT BE REPRODUCED, DISCLOSED OR USED IN ANY MANNER WITHOUT THE WRITTEN CONSENT OF EATON CORPORATION. ALL RIGHTS RESERVED.		UNLESS OTHERWISE SPECIFIED DIMENSIONS ARE IN INCHES TOLERANCES ARE: DECIMAL: .01 ± .005 ANGULAR: ∠ ± 30' MATL: .XXXX ± .001		DWN	H.	WEYMOUTH	<b>EATON</b> 6500 HARBOUR HT'S PKWY SUITE 320 WA, 98275 (425) 349-3240		<b>E50 Heavy-Duty Sealed 6P+ Top-Push Limit Switch</b> SIZE DRAWING NO. <b>90-26802-022</b> AutoCAD REV <b>01</b>
..	..	-	..	..	..	-	THIRD ANGLE PROJECTION 		FINISH:		SCALE:	SHT	OF	A <b>90-26802-022</b> <b>01</b>		
..	..	-	..	..	..	-	<input checked="" type="checkbox"/> = TO BE INSPECTED		DATE 05/05/2007		CHK	..	..	REV		
..	..	-	..	..	..	-	CRITICAL DIMENSION		DATE 05/05/2007		ENG	..	..	REV		
..	..	-	..	..	..	-	TO BE INSPECTED		DATE 05/05/2007		MFG	..	..	REV		
..	..	-	..	..	..	-	TO BE INSPECTED		DATE 05/05/2007		OTHR	..	..	REV		
..	..	-	..	..	..	-	TO BE INSPECTED		DATE 05/05/2007		OTHR	..	..	REV		
..	..	-	..	..	..	-	TO BE INSPECTED		DATE 05/05/2007		OTHR	..	..	REV		

**Models:**  
**E50ALTT26P**  
**E50ANT26P**  
**E50BLT26P**  
**E50BNT26P**



① Can accommodate both U.S. 1.16(29.4) x 2.34(59.5) and DIN, 1.18(30) x 3.26(60), mounting dimensions.

DATE	REV	DESCRIPTION	DWN	ENG	MFG	OTHR	<p><b>PROPRIETARY NOTICE</b></p> <p>NOTICE TO ALL PERSONS RECEIVING THIS INFORMATION: THE INFORMATION DISCLOSED HEREIN IS THE PROPERTY OF EATON CORPORATION. IT IS TO BE KEPT IN CONFIDENTIALITY AND NOT REPRODUCED, DISCLOSED OR USED IN ANY MANNER WITHOUT THE WRITTEN CONSENT OF EATON CORPORATION. COPYRIGHT © EATON CORPORATION. ALL RIGHTS RESERVED.</p> <p>THIRD ANGLE PROJECTION</p> <p>CRITICAL DIMENSION TO BE INSPECTED</p>

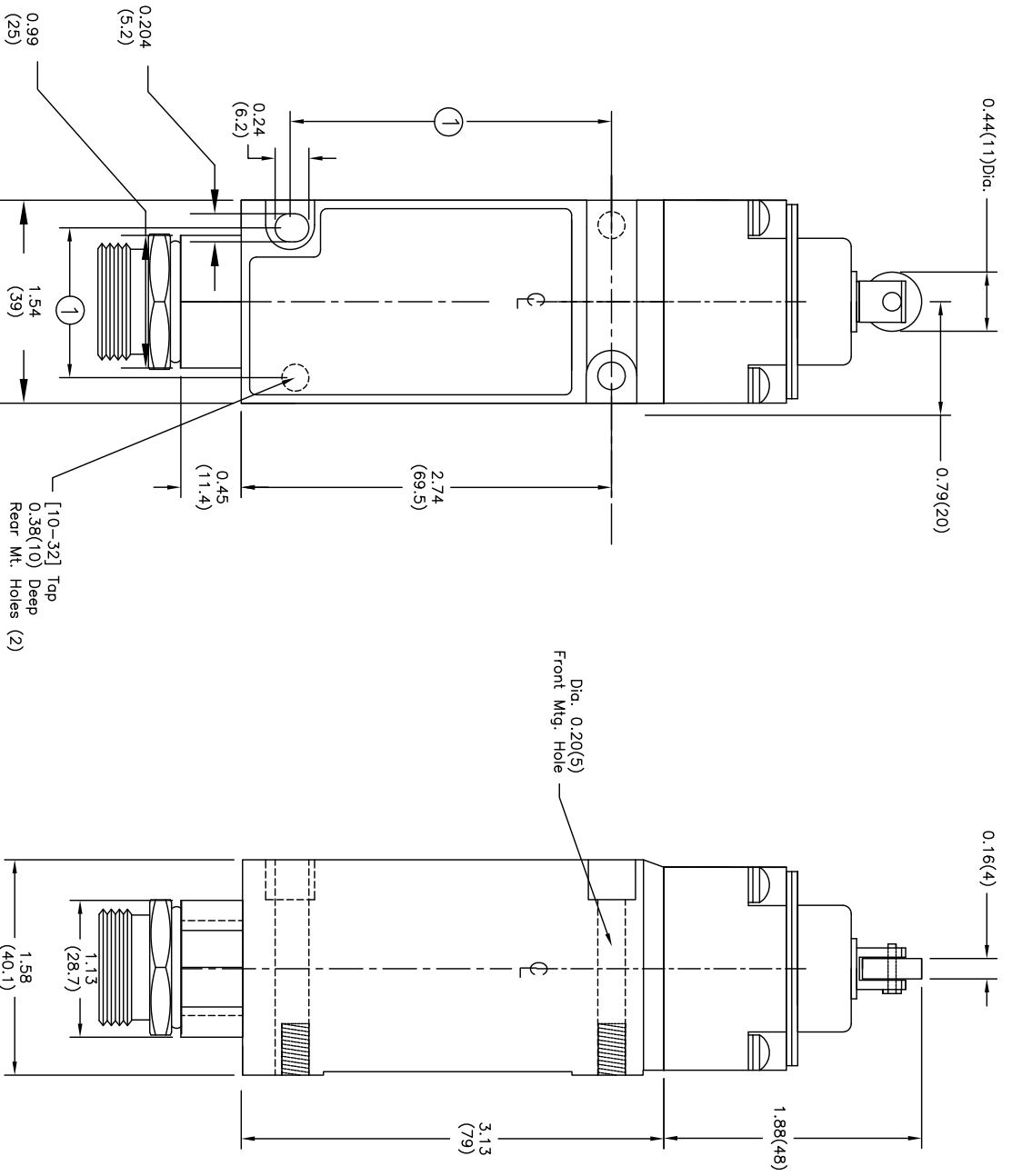
UNLESS OTHERWISE SPECIFIED DIMENSIONS ARE IN INCHES TOLERANCES ARE:		DWN	H.	WEYMOUTH
DECIMAL:	ANGULAR:	DATE	05/05/2007	
XX ± .01	∠ ± 30'	CHK		
.XXX ± .005		ENG		
.XXXX ± .001		MFG		
MATL:		OTHR		
FINISH:		OTHR		
SCALE:	SHT 1 OF 1			

**EATON** 6500 HARBOUR HT'S PKWY  
 SUITE 320 WA, 98275  
 (425) 349-3240

**E50 Heavy-Duty Sealed 6P+ Adjustable Top Push Limit Switch**

SIZE DRAWING NO. **A 90-26802-023 01** AutoCAD REV

**Models:**  
**E50AL T36P**  
**E50ANT36P**  
**E50BL T36P**  
**E50BNT36P**

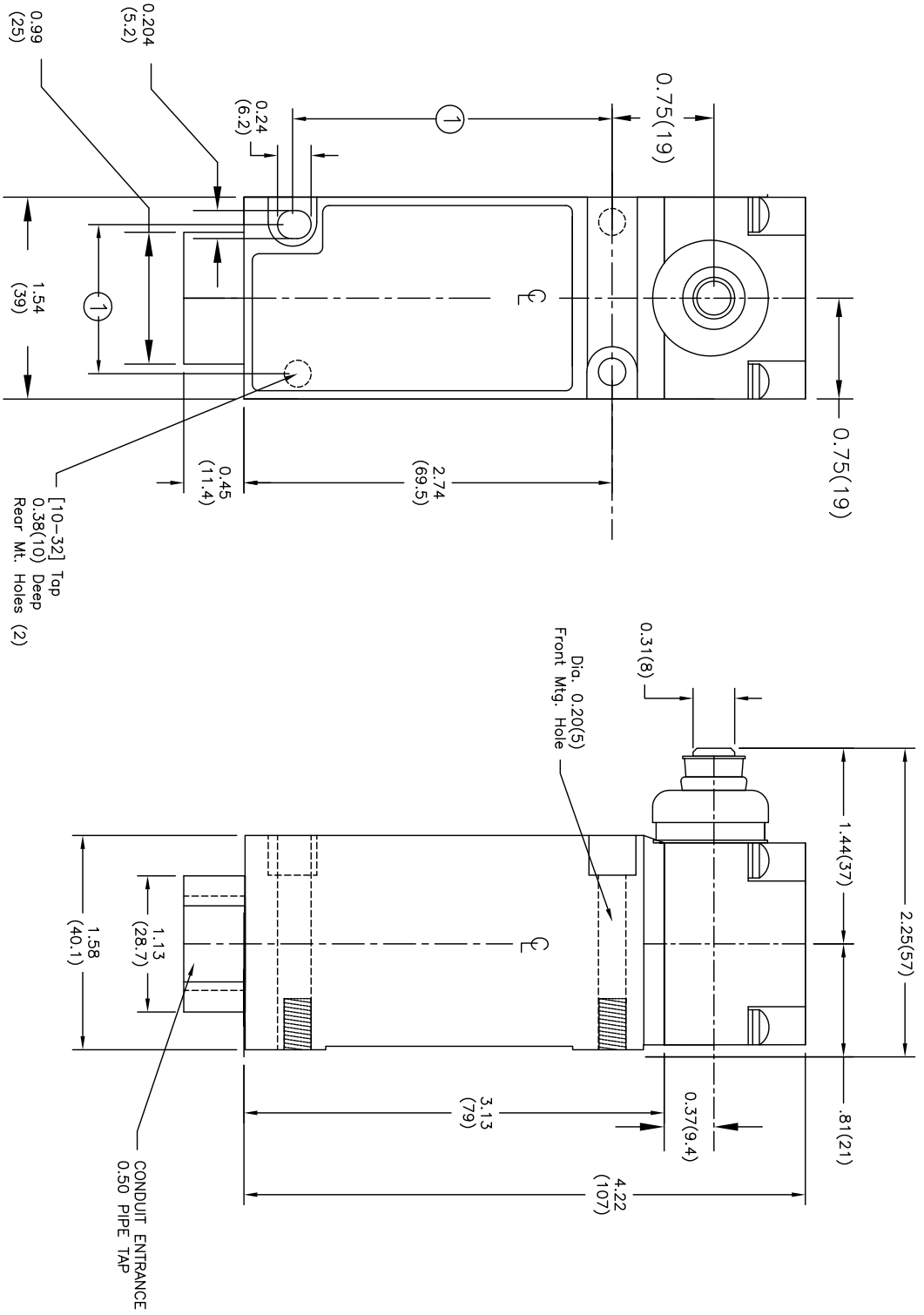


① Can accommodate both U.S. 1.16(29.4) x 2.34(59.5) and DIN, 1.18(30) x 3.26(60), mounting dimensions.

<p><b>PROPRIETARY NOTICE</b>                  NOTICE TO ALL PERSONS RECEIVING THIS INFORMATION: THE INFORMATION DISCLOSED HEREIN IS THE PROPERTY OF EATON CORPORATION AND SHALL NOT BE REPRODUCED, DISCLOSED OR USED IN ANY MANNER WITHOUT THE WRITTEN CONSENT OF EATON CORPORATION. COPYRIGHT EATON CORPORATION. ALL RIGHTS RESERVED.</p>		<p><b>UNLESS OTHERWISE SPECIFIED DIMENSIONS ARE IN INCHES TOLERANCES ARE:</b></p> <table border="1"> <tr> <td>DECIMAL:</td> <td>ANGULAR:</td> </tr> <tr> <td>XX ± .01</td> <td>∠ ± 30'</td> </tr> <tr> <td>.XXX ± .005</td> <td></td> </tr> <tr> <td>.XXXX ± .001</td> <td></td> </tr> </table>		DECIMAL:	ANGULAR:	XX ± .01	∠ ± 30'	.XXX ± .005		.XXXX ± .001	
DECIMAL:	ANGULAR:										
XX ± .01	∠ ± 30'										
.XXX ± .005											
.XXXX ± .001											
<p><b>THIRD ANGLE PROJECTION</b></p>		<p><b>CRITICAL DIMENSION TO BE INSPECTED</b></p>									
DATE	REV	DWN	ENG	MFG	OTHR	SCALE:	SHT	OF	SIZE	DRAWING NO.	REV
							1	1	A	90-26802-024	01
<p><b>EATON</b> 6500 HARBOUR HT'S PKWY                  SUITE 320 WA, 98275                  MOULTON (425) 349-3240</p>						<p><b>E50 Heavy-Duty Sealed 6P+ Top-Push Roller Limit Switch</b></p>					



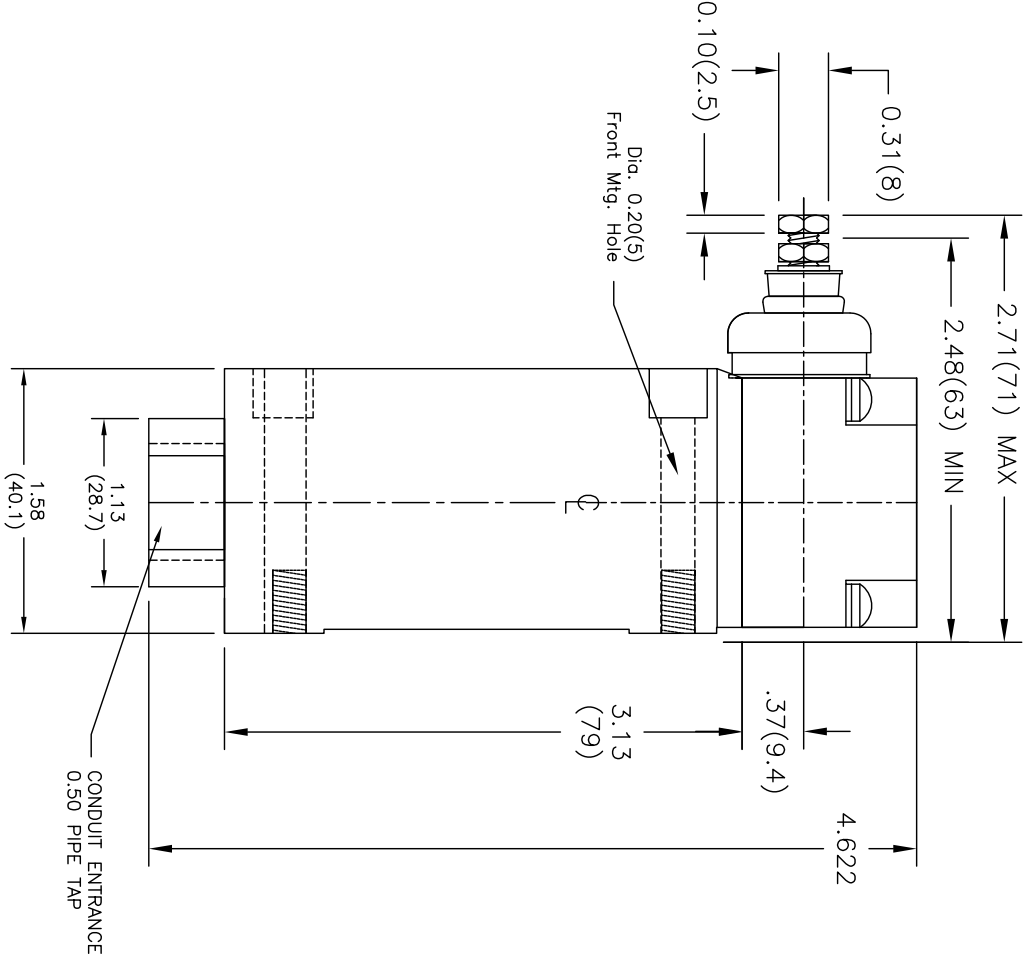
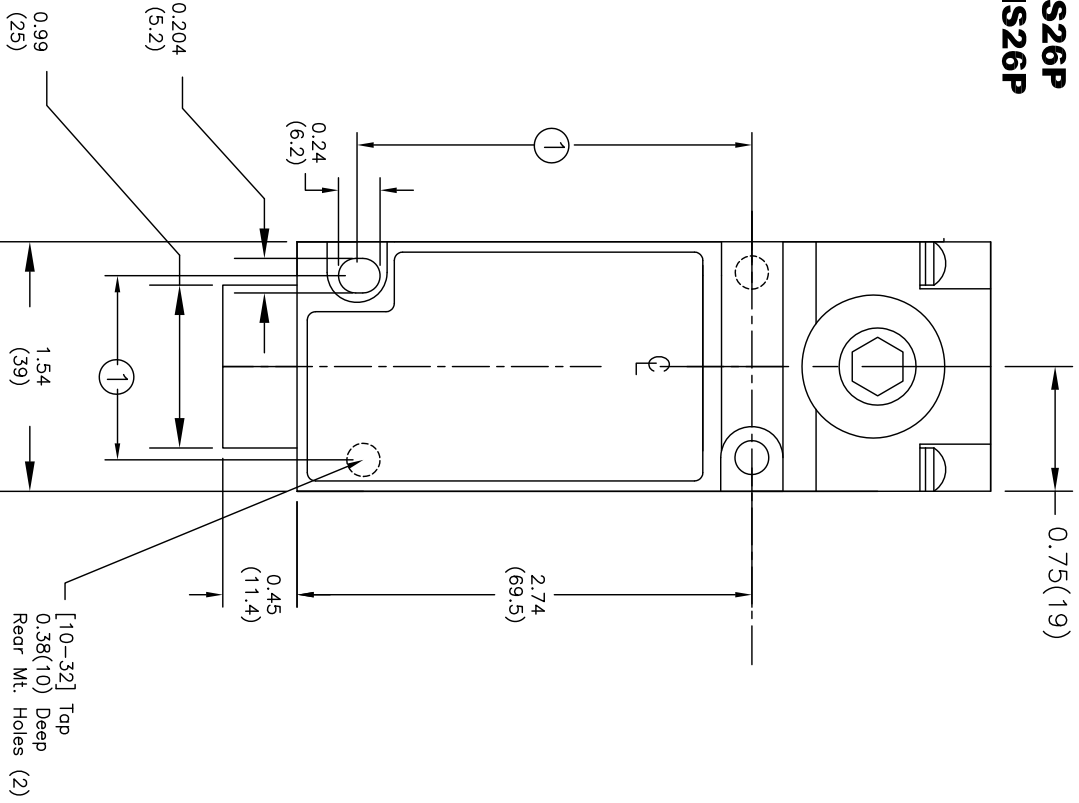
**Models:**  
**E50ALS16P**  
**E50ANS16P**  
**E50BLS16P**  
**E50BNS16P**



① Can accommodate both U.S. 1.16(29.4) x 2.34(59.5) and DIN, 1.18(30) x 3.26(60), mounting dimensions.

DATE	REV	DESCRIPTION	DWN	ENG	MFG	OTHR	<b>PROPRIETARY NOTICE</b> NOTICE TO ALL PERSONS RECEIVING THIS INFORMATION: THE INFORMATION DISCLOSED HEREIN IS THE PROPERTY OF EATON CORPORATION AND IS NOT TO BE REPRODUCED, DISCLOSED OR USED IN ANY MANNER WITHOUT THE WRITTEN CONSENT OF EATON CORPORATION. ALL RIGHTS RESERVED.		<b>UNLESS OTHERWISE SPECIFIED DIMENSIONS ARE IN INCHES TOLERANCES ARE:</b> DECIMAL: .01 ANGULAR: $\angle \pm 30'$ FINISH:		DWN H. WEYMOUTH DATE 05/05/2007 CHK ENG MFG OTHR OTHR SCALE: SHT 1 OF 1		<b>EATON</b> 6500 HARBOUR HT'S PKWY SUITE 320 WA, 98275 MOULTON (425) 349-3240 <b>E50 Heavy-Duty Sealed 6P+ Side-Push Limit Switch</b> SIZE DRAWING NO. <b>90-26802-025</b> AutoCAD REV <b>01</b>	
..	..	..	..	..	..	..	<b>THIRD ANGLE PROJECTION</b> 		MATL:		OTHR		REV	
..	..	..	..	..	..	..	CRITICAL DIMENSION TO BE INSPECTED		OTHR		REV		REV	

**Models:**  
**E50ALS26P**  
**E50ANS26P**  
**E50BLS26P**  
**E50BNS26P**



[10-32] Top  
 0.38(10) Deep  
 Rear Mt. Holes (2)

DATE	REV	DESCRIPTION	DWN	ENG	MFG	OTHR
..	..	..	..	..	..	..
..	..	..	..	..	..	..
..	..	..	..	..	..	..
..	..	..	..	..	..	..
..	..	..	..	..	..	..
..	..	..	..	..	..	..
..	..	..	..	..	..	..
..	..	..	..	..	..	..
..	..	..	..	..	..	..

**PROPRIETARY NOTICE**  
 NOTICE TO ALL PERSONS RECEIVING THIS INFORMATION: THE INFORMATION DISCLOSED HEREIN IS THE PROPERTY OF EATON CORPORATION AND SHALL NOT BE REPRODUCED, DISCLOSED OR USED IN ANY MANNER WITHOUT THE WRITTEN CONSENT OF EATON CORPORATION. COPYRIGHT EATON CORPORATION. ALL RIGHTS RESERVED.

THIRD ANGLE PROJECTION

CRITICAL DIMENSION TO BE INSPECTED

UNLESS OTHERWISE SPECIFIED DIMENSIONS ARE IN INCHES

DECIMAL:	ANGULAR:
.XX ± .01	∠ ± 30'
.XXX ± .005	
.XXXX ± .001	

MATL: \_\_\_\_\_

FINISH: \_\_\_\_\_

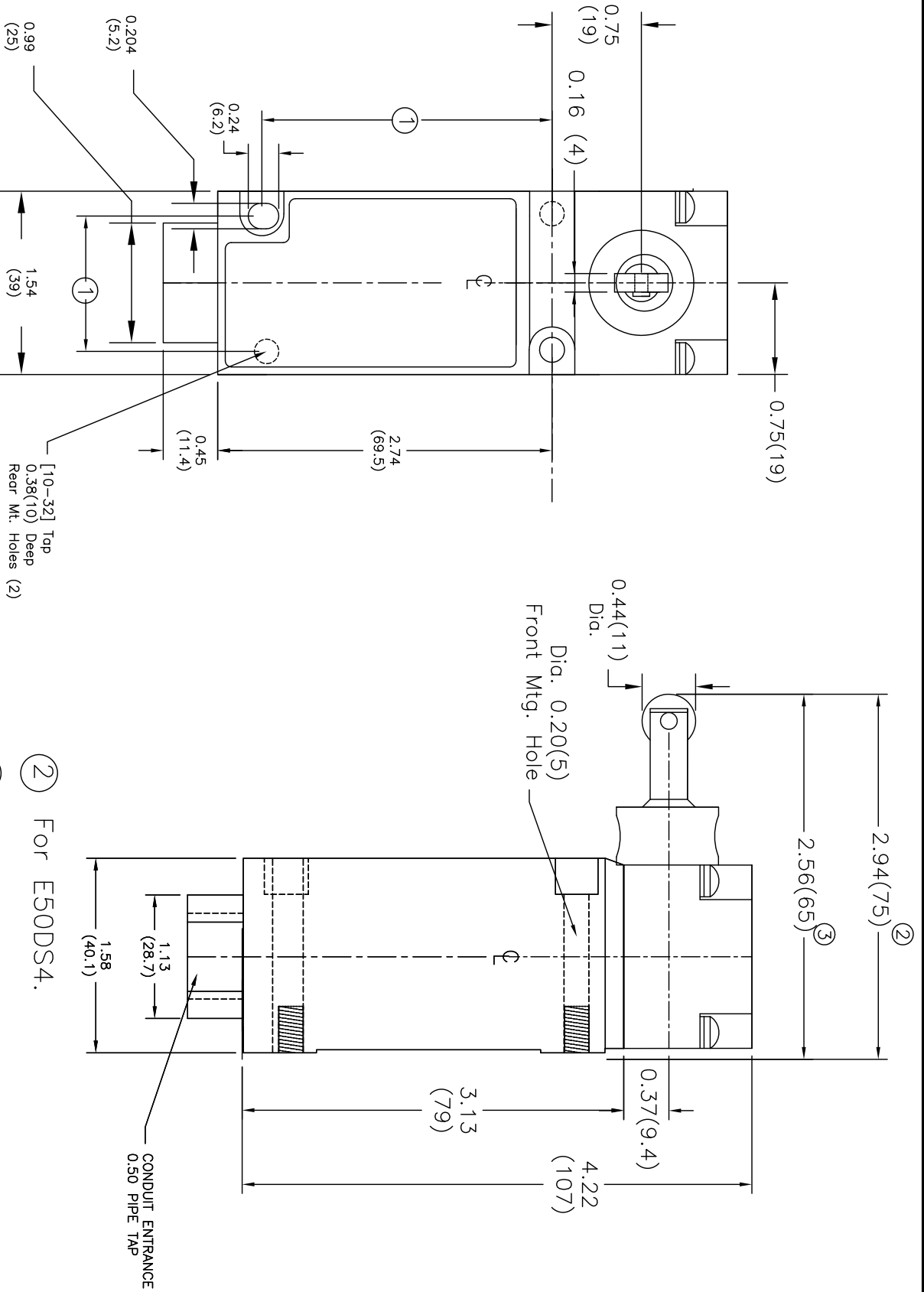
DWN	H. WEYMOUTH
DATE	05/05/2007
SCALE:	SHT 1 OF 1

**EATON** 6500 HARBOUR HT'S PKWY  
 SUITE 320 WA, 98275  
 MOULTON (425) 349-3240

**E50 Heavy-Duty Sealed 6P+ Adjustable Side-PushLimit Switch**

SIZE DRAWING NO. **A 90-26802-026 01** REV

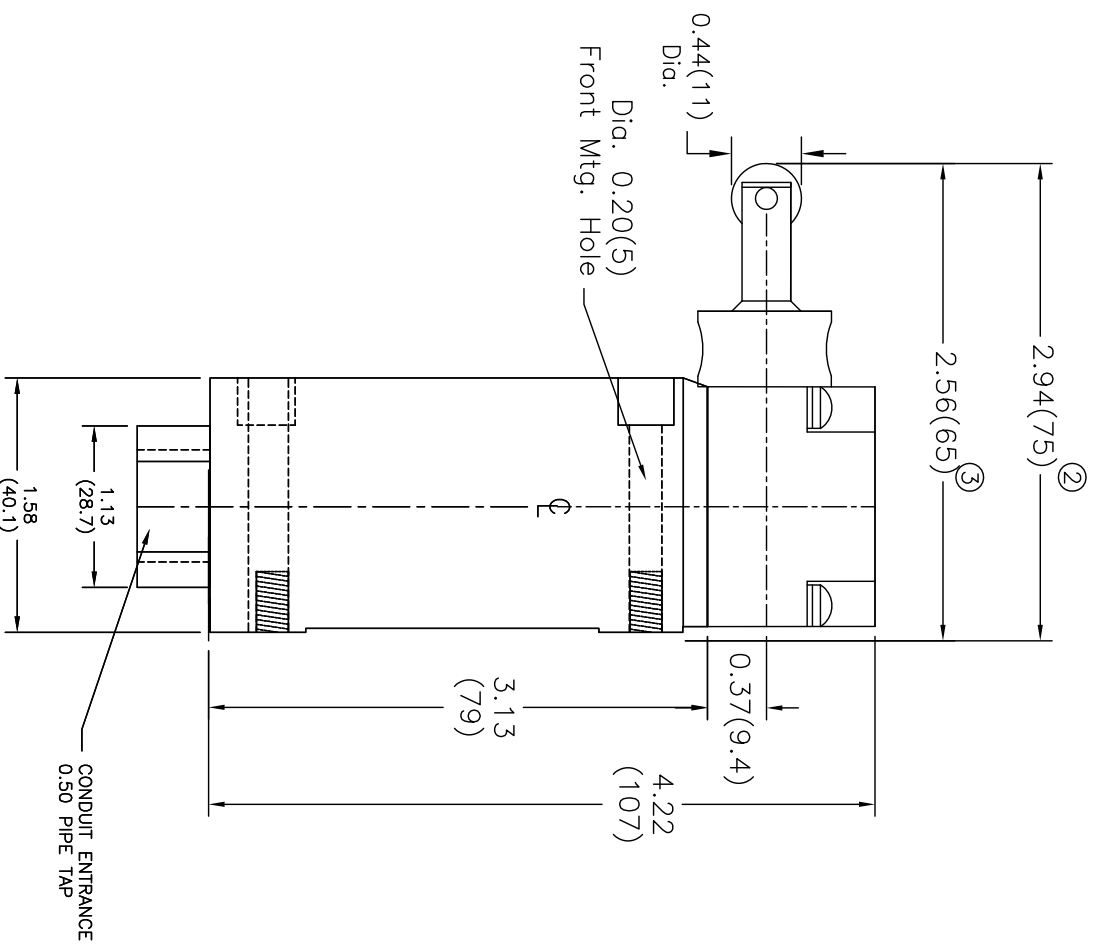
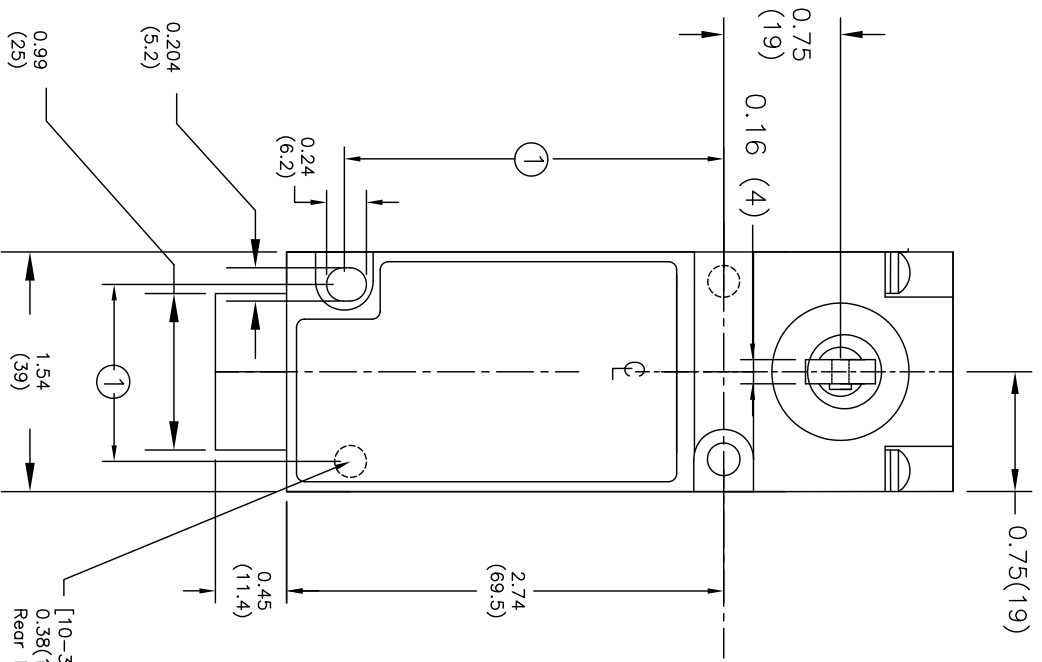
**Models:**  
**E50ALS36P**  
**E50ANS36P**  
**E50BLS36P**  
**E50BNS36P**



- ② For E50DS4.
- ③ For E50DS3.

DATE		REV	DESCRIPTION	DWN	ENG	MFG	OTHER	<b>PROPRIETARY NOTICE</b> NOTICE TO ALL PERSONS RECEIVING THIS INFORMATION: THE INFORMATION DISCLOSED HEREIN IS THE PROPERTY OF EATON CORPORATION AND IS NOT TO BE REPRODUCED, DISCLOSED OR USED IN ANY MANNER WITHOUT THE WRITTEN CONSENT OF EATON CORPORATION. ALL RIGHTS RESERVED.	
DATE		REV	DESCRIPTION	DWN	ENG	MFG	OTHER	<b>UNLESS OTHERWISE SPECIFIED DIMENSIONS ARE IN INCHES</b> TOLERANCES ARE: DECIMAL: .01 ANGULAR: $\angle \pm 30'$ FINISH: MATL:	
DATE		REV	DESCRIPTION	DWN	ENG	MFG	OTHER	THIRD ANGLE PROJECTION <input checked="" type="checkbox"/> = CRITICAL DIMENSION TO BE INSPECTED	
DATE		REV	DESCRIPTION	DWN	ENG	MFG	OTHER	DIM: H. WEYMOUTH DATE 05/05/2007 CHK ENG MFG OTHER SCALE: SHT 1 OF 1	
DATE		REV	DESCRIPTION	DWN	ENG	MFG	OTHER	<b>EATON</b> 6500 HARBOUR HT'S PKWY SUITE 320 WA, 98275 MOULTON (425) 349-3240 <b>E50 Heavy-Duty Sealed 6P+ Side-Push Roller Limit Switch</b> SIZE DRAWING NO. <b>A 90-26802-027</b> REV <b>01</b>	

**Models:**  
**E50ALS46P**  
**E50ANS46P**  
**E50BLS46P**  
**E50BNS46P**



- (2) For E50DS4.
- (3) For E50DS3.

DATE	REV	DESCRIPTION	DWN	ENG	MFG	OTHR
..	..	..	..	..	..	-
..	..	..	..	..	..	-
..	..	..	..	..	..	-
..	..	..	..	..	..	-
..	..	..	..	..	..	-
..	..	..	..	..	..	-
..	..	..	..	..	..	-
..	..	..	..	..	..	-
..	..	..	..	..	..	-
..	..	..	..	..	..	-
..	..	..	..	..	..	-

**PROPRIETARY NOTICE**  
 NOTICE TO ALL PERSONS RECEIVING THIS INFORMATION: THE INFORMATION DISCLOSED HEREIN IS THE PROPERTY OF EATON CORPORATION AND IS NOT TO BE REPRODUCED, DISCLOSED OR USED IN ANY MANNER WITHOUT THE WRITTEN CONSENT OF EATON CORPORATION. ALL RIGHTS RESERVED.

**THIRD ANGLE PROJECTION**

CRITICAL DIMENSION TO BE INSPECTED

UNLESS OTHERWISE SPECIFIED DIMENSIONS ARE IN INCHES	TOLERANCES ARE:
DECIMAL:	ANGULAR:
.XX ± .01	∠ ± 30'
.XXX ± .005	
.XXXX ± .001	
MATL:	
FINISH:	

DWN: H. WEYMOUTH  
 DATE: 05/05/2007

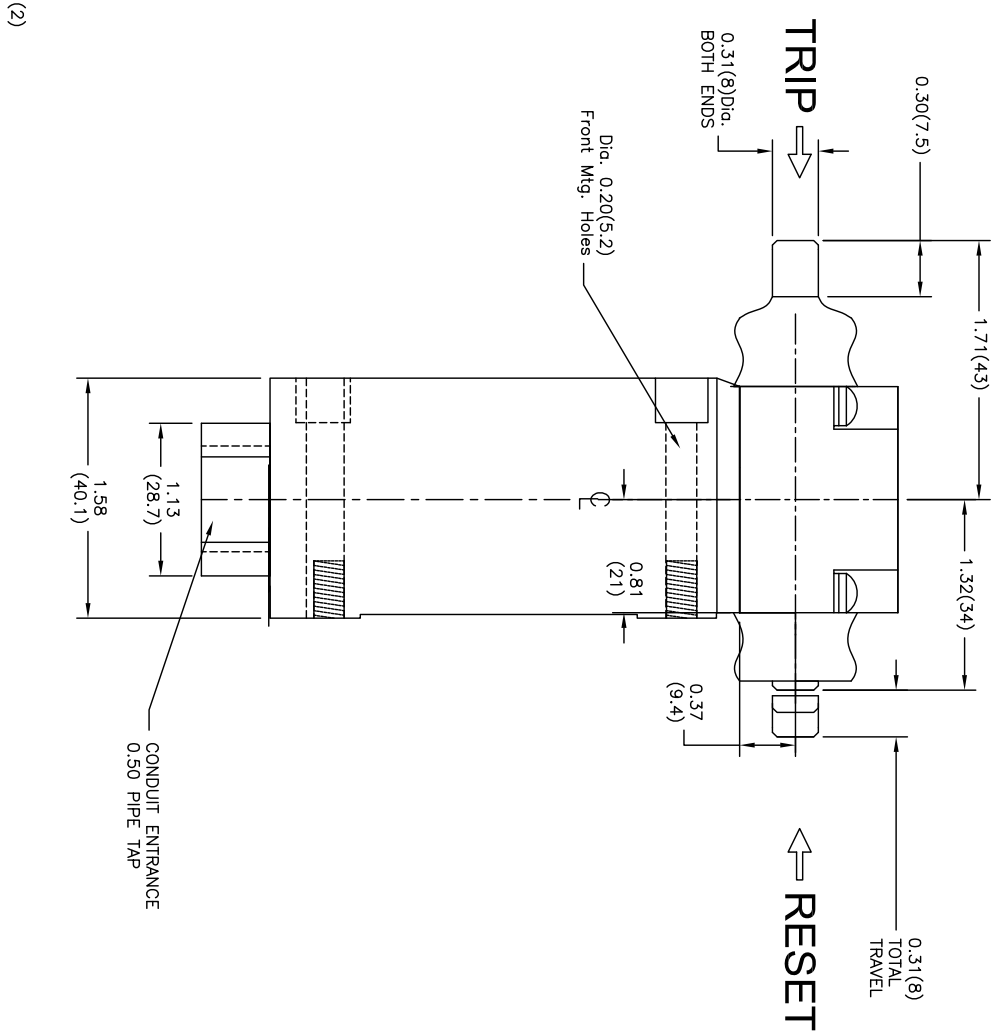
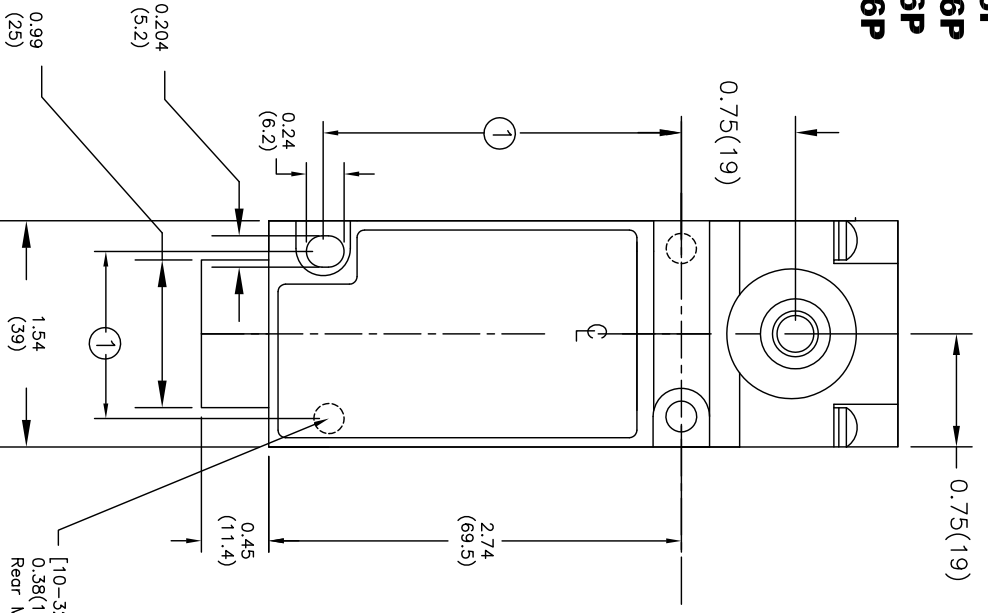
**EATON**  
 6500 HARBOUR HT'S PKWY  
 SUITE 320 WA, 98275  
 MOULTON (425) 349-3240

**E50 Heavy-Duty Sealed 6P+ Side-Push Roller Limit Switch**

SIZE: DRAWING NO. **A 90-26802-028 01**

AutoCAD REV

**Models:**  
**E50ALH16P**  
**E50ANHH16P**  
**E50BLH16P**  
**E50BNHH16P**



① Can accommodate both U.S. 1.16(29.4) x 2.34(59.5) and DIN, 1.18(30) x 3.26(60), mounting dimensions.

DATE	REV	DESCRIPTION	DWN	ENG	MFG	OTHR
..	..	-	..	..	..	-
..	..	-	..	..	..	-
..	..	-	..	..	..	-
..	..	-	..	..	..	-
..	..	-	..	..	..	-
..	..	-	..	..	..	-
..	..	-	..	..	..	-
..	..	-	..	..	..	-
..	..	-	..	..	..	-
..	..	-	..	..	..	-

**PROPRIETARY NOTICE**  
 NOTICE TO ALL PERSONS RECEIVING THIS INFORMATION: THE INFORMATION DISCLOSED HEREIN IS THE PROPERTY OF EATON CORPORATION AND SHALL NOT BE REPRODUCED, DISCLOSED OR USED IN ANY MANNER WITHOUT THE WRITTEN CONSENT OF EATON CORPORATION. COPYRIGHT © EATON CORPORATION. ALL RIGHTS RESERVED.

THIRD ANGLE PROJECTION

CRITICAL DIMENSION TO BE INSPECTED

UNLESS OTHERWISE SPECIFIED DIMENSIONS ARE IN INCHES  
 TOLERANCES ARE:  
 DECIMAL: .01  
 .XX ± .01  
 .XXX ± .005  
 .XXXX ± .001  
 ANGULAR: ∠ ± 30'

FINISH:

MATL:

DWN H. WEYMOUTH  
 DATE 05/05/2007  
 SHT 1 OF 1

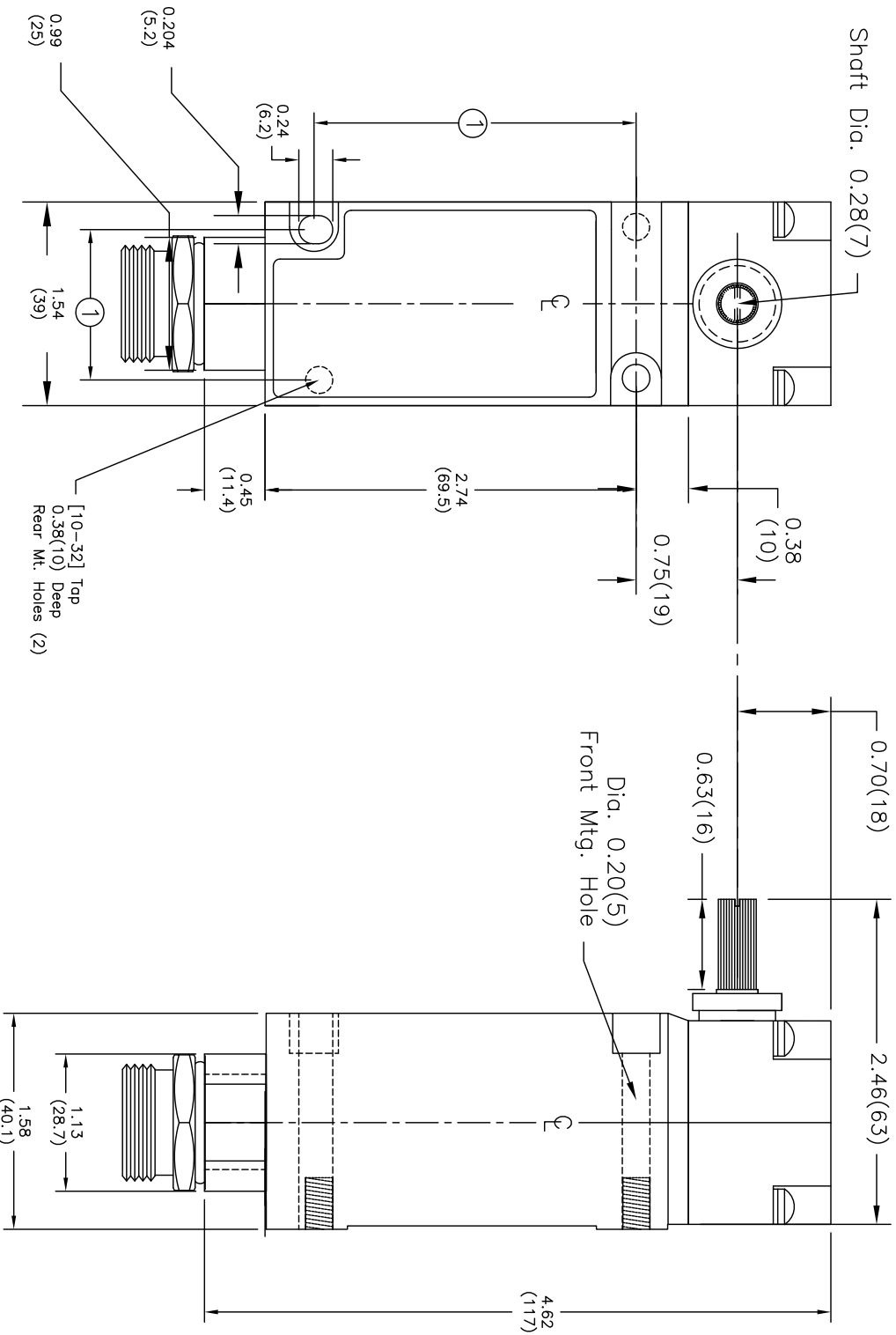
**EATON** 6500 HARBOUR HT'S PKWY  
 SUITE 320 WA, 98275  
 MOULTON (425) 349-3240

**E50 Heavy-Duty Sealed 6P+ Maintained Limit Switch**

SIZE DRAWING NO. **90-26802-029** AutoCAD REV **01**



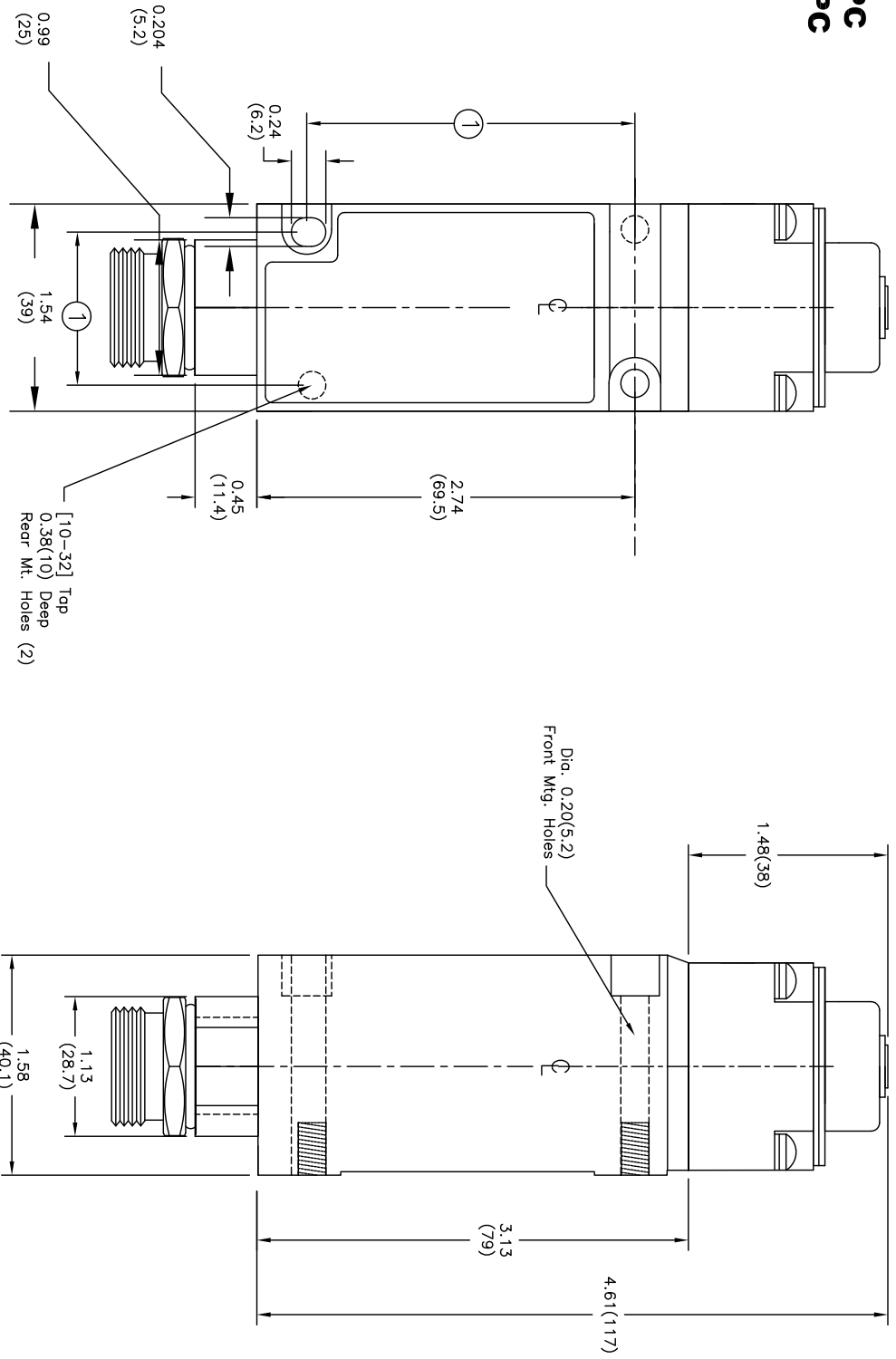
**Models:**  
**E50ALR16PC**  
**E50ALL16PC**  
**E50ALM16PC**  
**E50ANR16PC**  
**E50ANL16PC**  
**E50ANM16PC**



① Can accommodate both U.S. 1.16(29.4) x 2.34(59.5) and DIN, 1.18(30) x 3.26(60), mounting dimensions.

DATE		REV	DESCRIPTION	DWN	ENG	MFG	OTHR	<b>PROPRIETARY NOTICE</b> NOTICE TO ALL PERSONS RECEIVING THIS INFORMATION: THE INFORMATION DISCLOSED HEREIN IS THE CONFIDENTIAL INFORMATION OF EATON CORPORATION AND IS NOT TO BE REPRODUCED, DISCLOSED OR USED IN ANY MANNER WITHOUT THE WRITTEN CONSENT OF EATON CORPORATION. ALL RIGHTS RESERVED.		UNLESS OTHERWISE SPECIFIED DIMENSIONS ARE IN INCHES TOLERANCES ARE: DECIMAL: .01 ± .005 ANGULAR: ∠ ± 30'		DWN	H.	WEYMOUTH	<b>EATON</b> 6500 HARBOUR HT'S PKWY SUITE 320 WA 98275 MUKLTEN 349-5240 (425)	
DATE		REV	DESCRIPTION	DWN	ENG	MFG	OTHR	<b>THIRD ANGLE PROJECTION</b> 		FINISH:		SCALE:	SHT	OF	SIZE DRAWING NO. <b>A 90-26802-031</b> REV <b>01</b>	

**Models:  
E50ALT16PC  
E50ANT16PC**

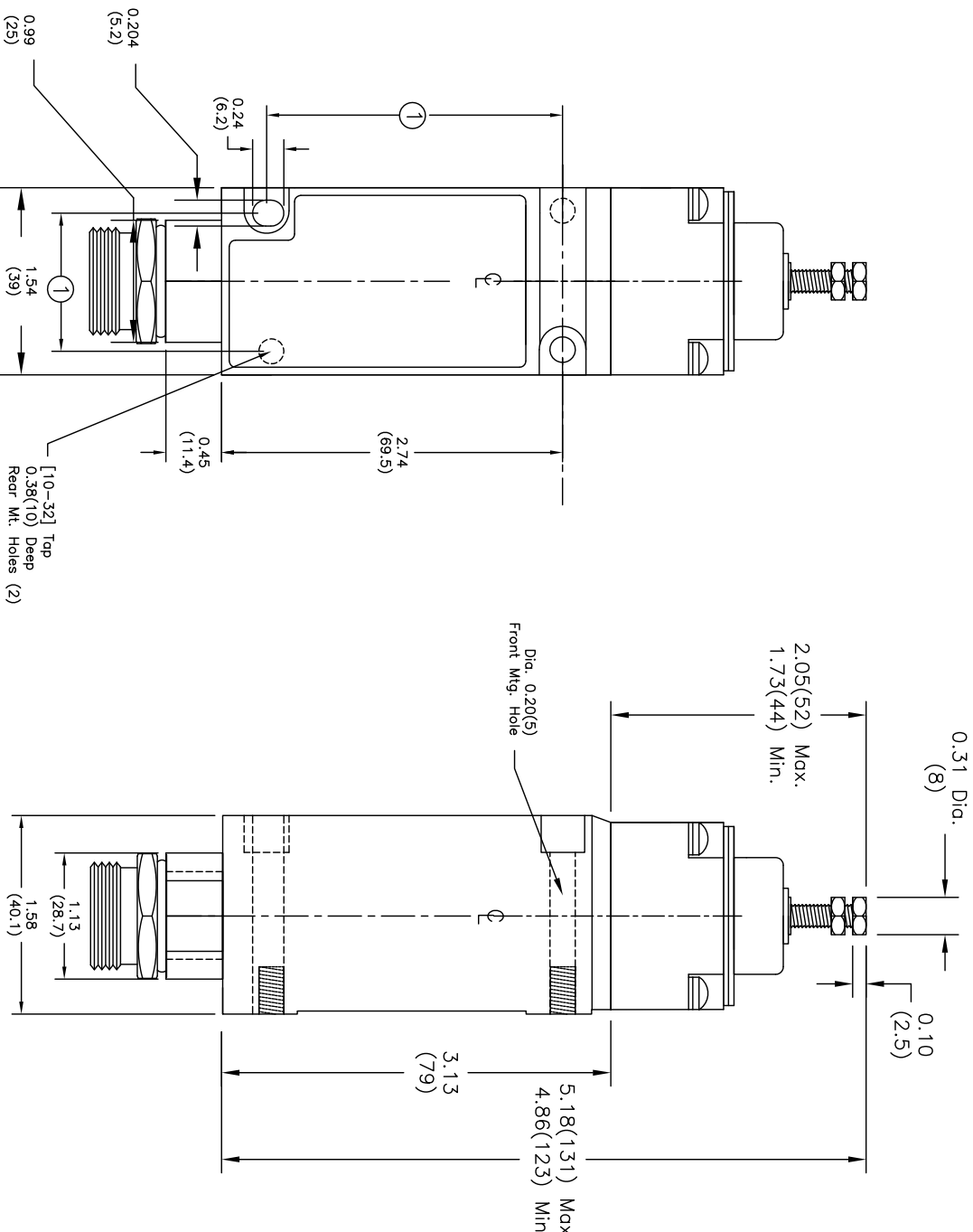


① Can accommodate both U.S. 1.16(29.4) x 2.34(59.5) and DIN, 1.18(30) x 3.26(60), mounting dimensions.

DATE	REV	DESCRIPTION	DWN	ENG	MFG	OTHR	<b>PROPRIETARY NOTICE</b> NOTICE TO ALL PERSONS RECEIVING THIS INFORMATION: THE INFORMATION DISCLOSED HEREIN IS THE PROPERTY OF EATON CORPORATION AND SHALL NOT BE REPRODUCED, DISCLOSED OR USED IN ANY MANNER WITHOUT THE WRITTEN CONSENT OF EATON CORPORATION. ALL RIGHTS RESERVED.		<b>UNLESS OTHERWISE SPECIFIED DIMENSIONS ARE IN INCHES TOLERANCES ARE:</b> DECIMAL: .01 ± .005 ANGULAR: ∠ ± 30' FINISH:		DWN H. WEYMOUTH DATE 05/05/2007		<b>EATON</b> 6500 HARBOUR HT'S PKWY SUITE 320 WA, 98275 MOULTON (425) 349-3240	
..	..	-	..	..	..	-	<b>THIRD ANGLE PROJECTION</b> 		MATL:		<b>90-2602-032</b>		<b>Sealed 6P+ Top-Push Limit Switch</b>	
..	..	-	..	..	..	-	<input checked="" type="checkbox"/> CRITICAL DIMENSION TO BE INSPECTED		SCALE: SHT 1 OF 1		SIZE DRAWING NO.		AutoCAD REV	
..	..	-	..	..	..	-					<b>A</b>		<b>01</b>	



**Models:  
E50ALTT26PC  
E50ANT26PC**



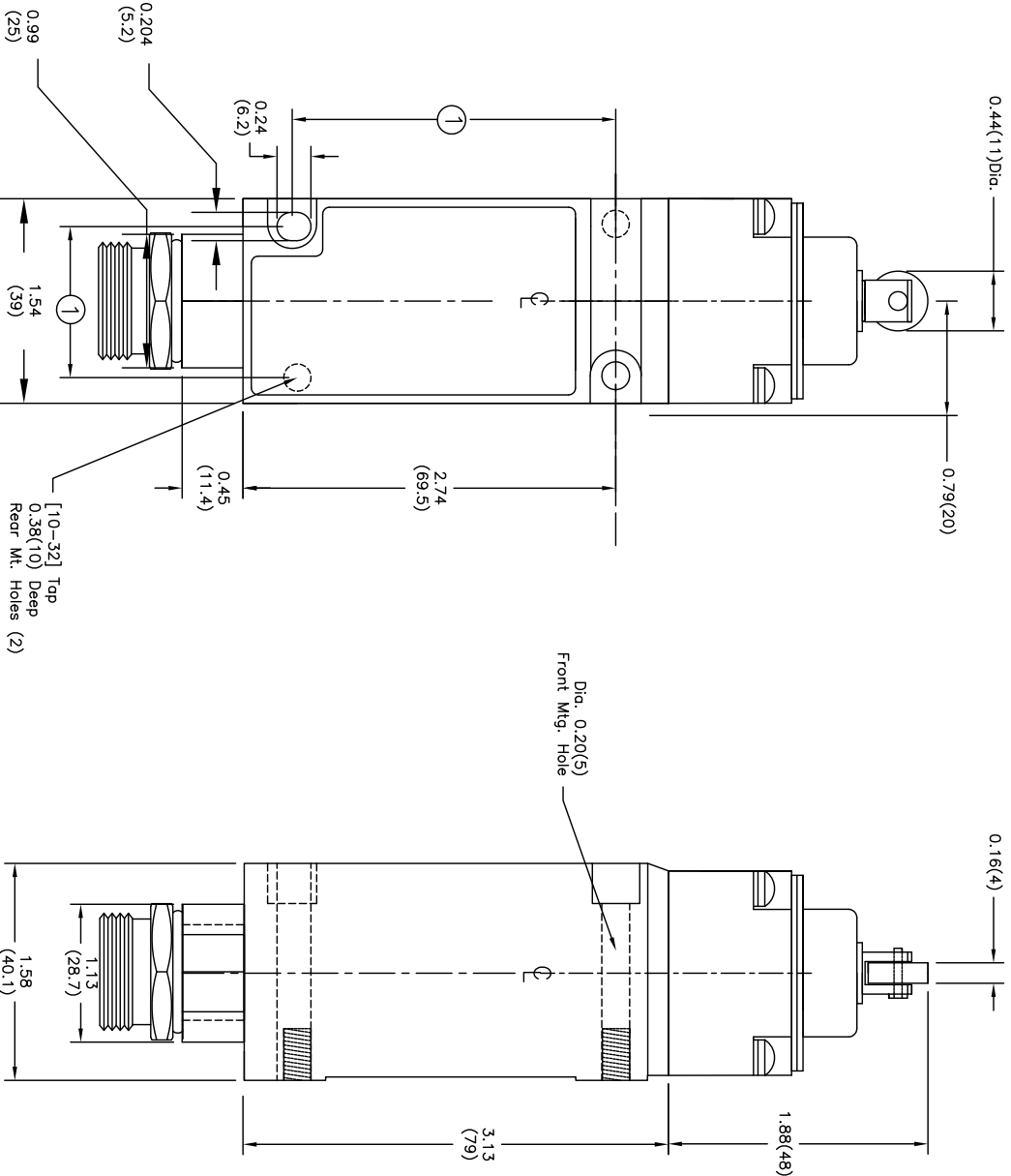
① Can accommodate both U.S. 1.16(29.4) x 2.34(59.5) and DIN, 1.18(30) x 3.26(60), mounting dimensions.

<p><b>PROPRIETARY NOTICE</b> NOTICE TO ALL PERSONS RECEIVING THIS INFORMATION: THE INFORMATION DISCLOSED HEREIN IS THE PROPERTY OF EATON CORPORATION AND SHALL NOT BE REPRODUCED, DISCLOSED OR USED IN ANY MANNER WITHOUT THE WRITTEN CONSENT OF EATON CORPORATION. COPYRIGHT © EATON CORPORATION. ALL RIGHTS RESERVED.</p>				<p>UNLESS OTHERWISE SPECIFIED DIMENSIONS ARE IN INCHES TOLERANCES ARE: DECIMAL: ± .01 ANGULAR: ∠ ± 30'</p>				<p>DWN H. WEYMOUTH DATE 05/05/2007</p>				<p><b>EATON</b> 6500 HARBOUR HT'S PKWY SUITE 320 WVA 98275 MUKILTEO WA 98275 (425) 349-3240</p>								
<p>THIRD ANGLE PROJECTION</p>				<p>FINISH:</p>				<p>SCALE: SHT 1 OF 1</p>				<p>SIZE DRAWING NO. <b>A</b> <b>90-26802-033</b> REV <b>01</b></p>								
DATE	REV	DESCRIPTION	DWN	ENG	MFG	OTHR	DATE	REV	DESCRIPTION	DWN	ENG	MFG	OTHR	DATE	REV	DESCRIPTION	DWN	ENG	MFG	OTHR

**E50 Heavy-Duty  
Sealed 6P+ Adjustable  
Top Push Limit Switch**

AutoCAD REV

**Models:  
E50ALT36PC  
E50ANT36PC**



① Can accommodate both U.S. 1.16(29.4) x 2.34(59.5) and DIN, 1.18(30) x 3.26(60), mounting dimensions.

<p><b>PROPRIETARY NOTICE</b>          NOTICE TO ALL PERSONS RECEIVING THIS INFORMATION: THE INFORMATION DISCLOSED HEREIN IS THE PROPERTY OF EATON CORPORATION AND SHALL NOT BE REPRODUCED, DISCLOSED OR USED IN ANY MANNER WITHOUT THE WRITTEN CONSENT OF EATON CORPORATION. ALL RIGHTS RESERVED.</p>		<p><b>UNLESS OTHERWISE SPECIFIED DIMENSIONS ARE IN INCHES TOLERANCES ARE:</b></p> <table border="1"> <tr> <td>DECIMAL:</td> <td>ANGULAR:</td> </tr> <tr> <td>XX ± .01</td> <td>∠ ± 30'</td> </tr> <tr> <td>.XXX ± .005</td> <td></td> </tr> <tr> <td>.XXXX ± .001</td> <td></td> </tr> </table>		DECIMAL:	ANGULAR:	XX ± .01	∠ ± 30'	.XXX ± .005		.XXXX ± .001		<p><b>DATE</b> H. WEYMOUTH 05/05/2007</p>		<p><b>DATE</b> H. WEYMOUTH 05/05/2007</p>	
DECIMAL:	ANGULAR:														
XX ± .01	∠ ± 30'														
.XXX ± .005															
.XXXX ± .001															
<p><b>FINISH:</b></p>		<p><b>SCALE:</b> SHT 1 OF 1</p>		<p><b>SIZE</b> DRAWING NO. <b>A</b></p>											
<p><b>THIRD ANGLE PROJECTION</b></p>		<p><b>REV</b></p>		<p><b>REV</b></p>											
<p><b>CRITICAL DIMENSION TO BE INSPECTED</b></p>		<p><b>REV</b></p>		<p><b>REV</b></p>											
<p><b>DESCRIPTION</b></p>		<p><b>DESCRIPTION</b></p>		<p><b>DESCRIPTION</b></p>											
<p><b>DWN</b></p>		<p><b>DWN</b></p>		<p><b>DWN</b></p>											
<p><b>ENG</b></p>		<p><b>ENG</b></p>		<p><b>ENG</b></p>											
<p><b>MFG</b></p>		<p><b>MFG</b></p>		<p><b>MFG</b></p>											
<p><b>OTHR</b></p>		<p><b>OTHR</b></p>		<p><b>OTHR</b></p>											

**EATON** 6500 HARBOUR HT'S PKWY  
SUITE 320 WA, 98275  
(425) 349-3240

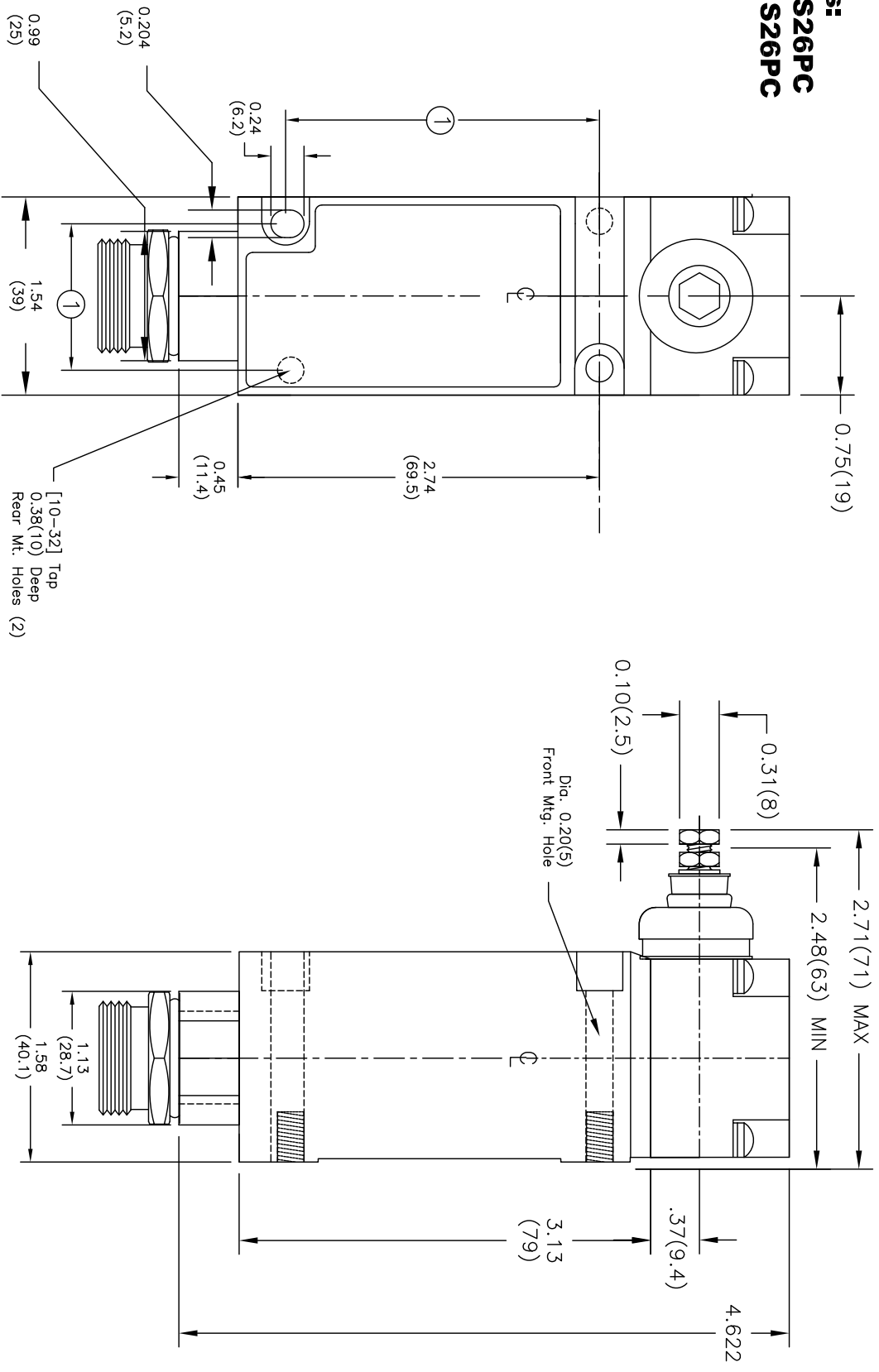
**E50 Heavy-Duty Sealed 6P+ Top-Push Roller Limit Switch**

AutoCAD REV

**90-26802-034 01**



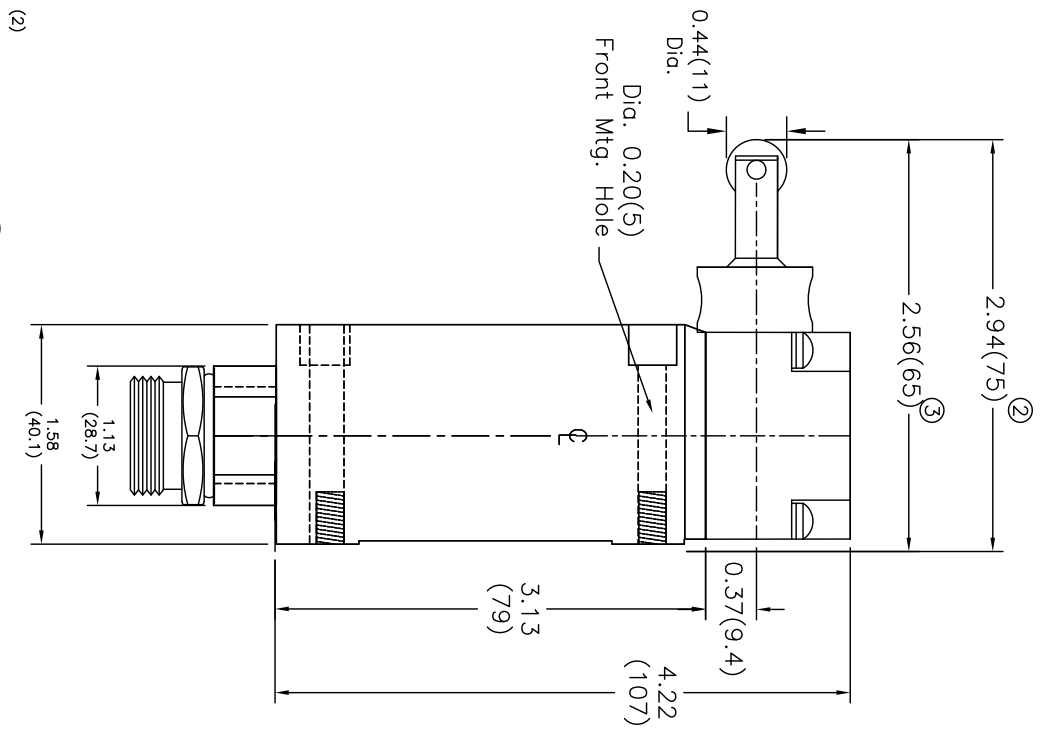
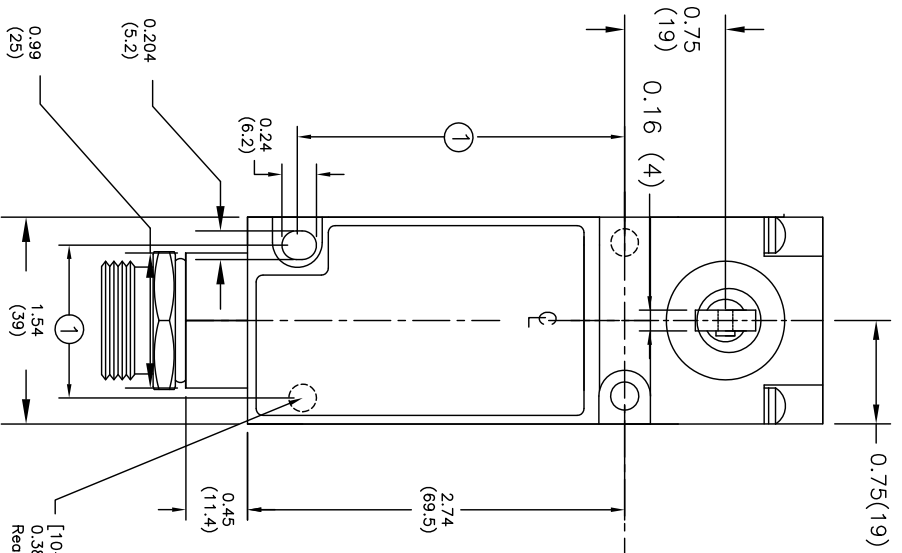
**Models:  
E50ALS26PC  
E50ANSS26PC**



① Can accommodate both U.S. 1.16(29.4) x 2.34(59.5) and DIN, 1.18(30) x 3.26(60), mounting dimensions.

DATE	REV	DESCRIPTION	DWN	ENG	MFG	OTHR	<b>PROPRIETARY NOTICE</b> NOTICE TO ALL PERSONS RECEIVING THIS INFORMATION: THE INFORMATION DISCLOSED HEREIN IS THE PROPERTY OF EATON CORPORATION AND SHALL NOT BE REPRODUCED, DISCLOSED OR USED IN ANY MANNER WITHOUT THE WRITTEN CONSENT OF EATON CORPORATION. ALL RIGHTS RESERVED.		UNLESS OTHERWISE SPECIFIED DIMENSIONS ARE IN INCHES TOLERANCES ARE: DECIMAL: .01 ANGULAR: $\angle \pm 30'$ FINISH:		DWN	H.	WEYMOUTH	<b>EATON</b> 6500 HARBOUR HT'S PKWY SUITE 320 WA, 98275 MOULTON (425) 349-3240	
..	..	..	..	..	..	..	THIRD ANGLE PROJECTION 		DATE 05/05/2007 CHK ENG MFG OTHR OTHR		SCALE:	SHT	OF	<b>E50 Heavy-Duty Sealed 6P+ Adjustable Side-PushLimit Switch</b> SIZE DRAWING NO. <b>90-26802-036</b> REV <b>01</b>	
..	..	..	..	..	..	..	CRITICAL DIMENSION TO BE INSPECTED		MATL:		1	1	AutoCAD REV		

**Model:**  
**E50ALS36PC**  
**E50ANS36PC**



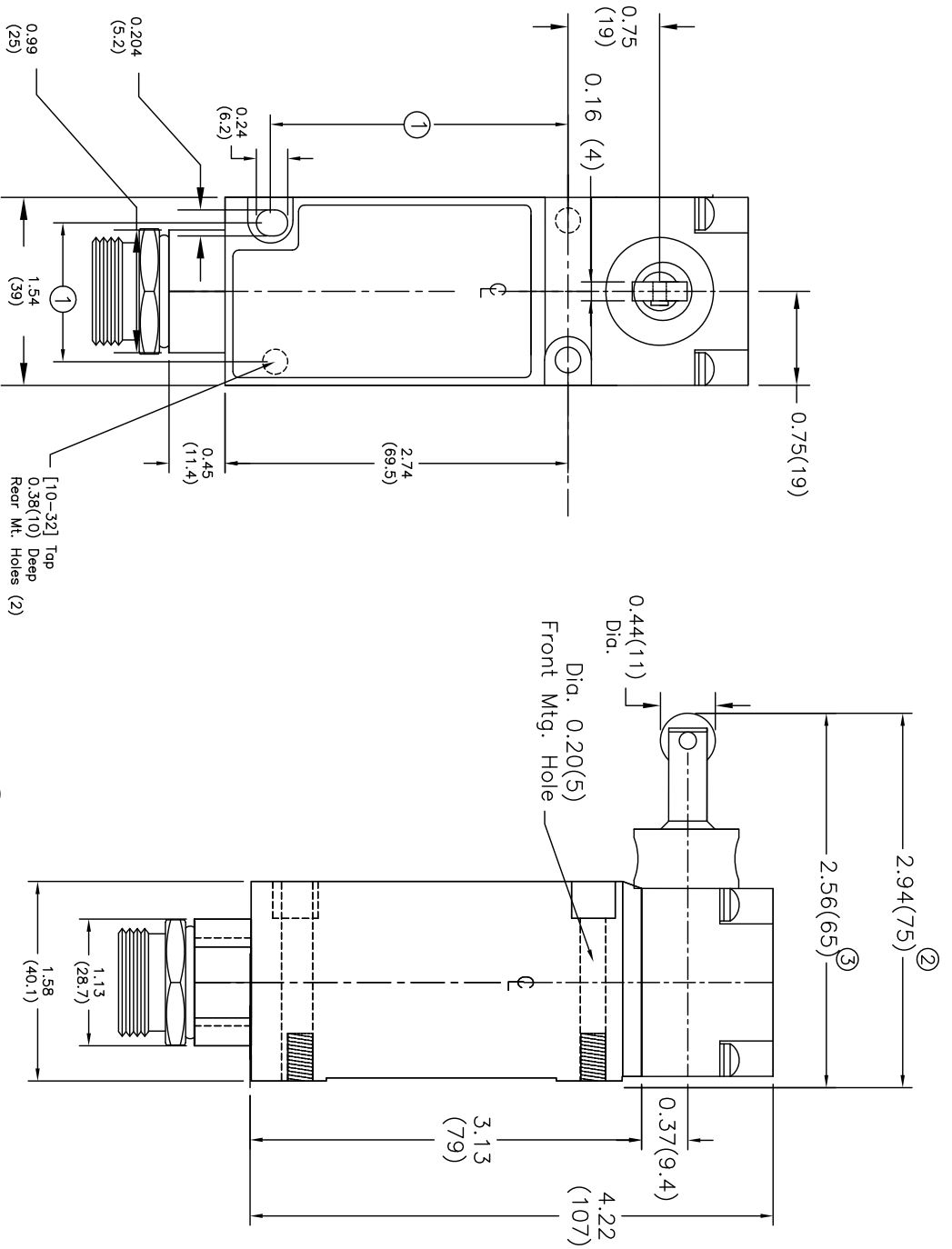
① Can accommodate both U.S. 1.16(29.4) x 2.34(59.5) and DIN, 1.18(30) x 3.26(60), mounting dimensions.

② For E50DS4.

③ For E50DS3.

DATE	REV	DESCRIPTION	DWN	ENG	MFG	OTHR	<b>PROPRIETARY NOTICE</b> NOTICE TO ALL PERSONS RECEIVING THIS INFORMATION: THE INFORMATION DISCLOSED HEREIN IS THE PROPERTY OF EATON CORPORATION AND IS NOT TO BE REPRODUCED, DISCLOSED OR USED IN ANY MANNER WITHOUT THE WRITTEN CONSENT OF EATON CORPORATION. ALL RIGHTS RESERVED.		UNLESS OTHERWISE SPECIFIED DIMENSIONS ARE IN INCHES TOLERANCES ARE: DECIMAL: .01 ANGULAR: $\angle \pm 30'$ FINISH:		DWN	H.	WEYMOUTH	<b>EATON</b> 6500 HARBOUR HT'S PKWY SUITE 320 WA, 98275 MOULTON (425) 349-3240	
..	..	..	..	..	..	-	THIRD ANGLE PROJECTION 		DATE	05/05/2007	CHK	..	<b>E50 Heavy-Duty Sealed 6P+ Side-Push Roller Limit Switch</b> SIZE DRAWING NO. <b>90-26802-037</b> AutoCAD REV		
..	..	..	..	..	..	-	CRITICAL DIMENSION TO BE INSPECTED		SCALE:	SHT 1	OF 1	REV	<b>A 90-26802-037 01</b>		

**Model:**  
**E50ALS46PC**  
**E50ANS46PC**



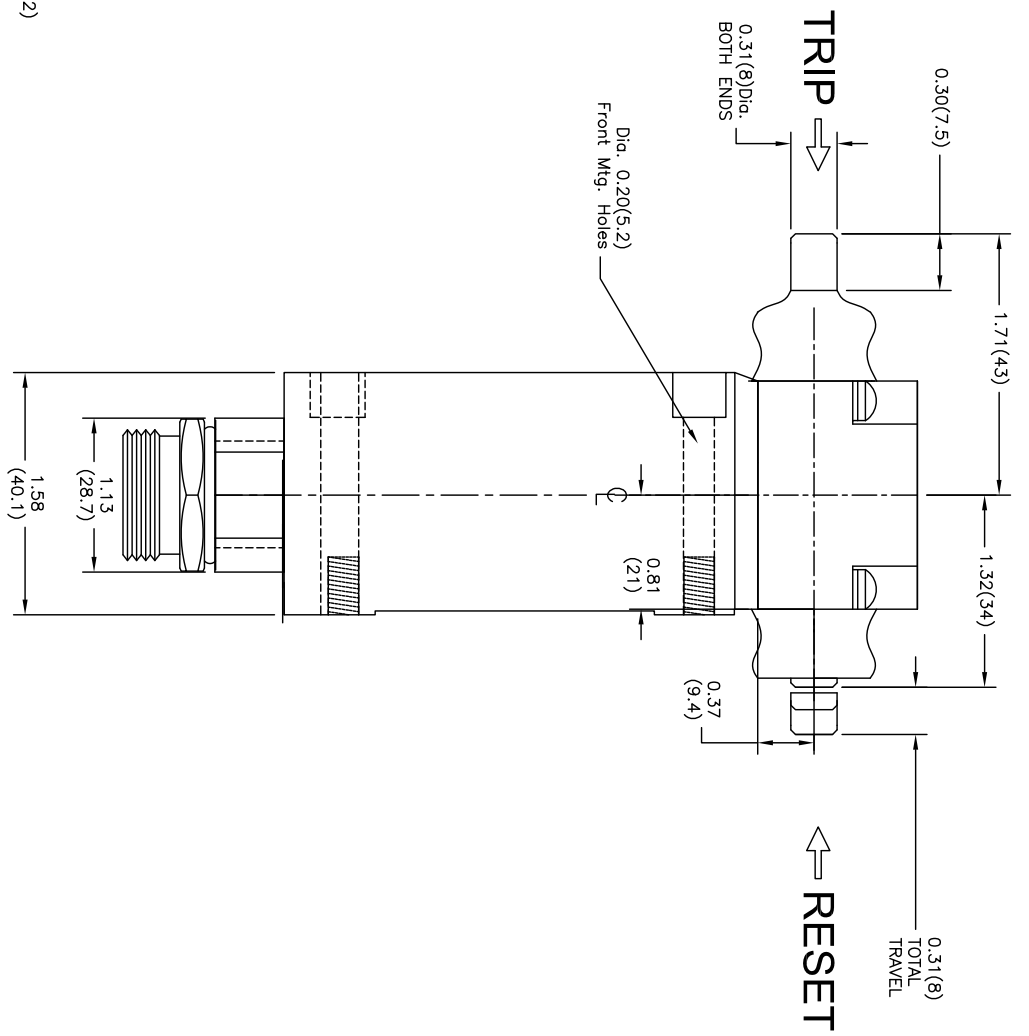
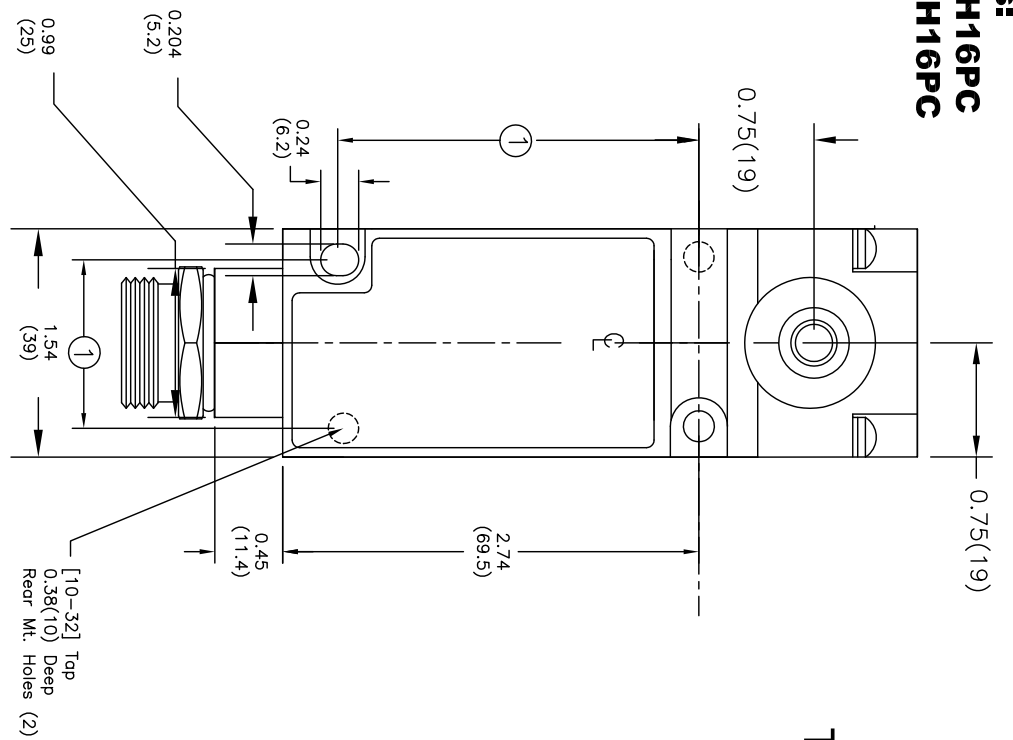
① Can accommodate both U.S. 1.16(29.4) x 2.34(59.5) and DIN, 1.18(30) x 3.26(60), mounting dimensions.

② For E50DS4.

③ For E50DS3.

DATE	REV	DESCRIPTION	DWN	ENG	MFG	OTHR	<b>PROPRIETARY NOTICE</b> NOTICE TO ALL PERSONS RECEIVING THIS INFORMATION: THE INFORMATION DISCLOSED HEREIN IS THE PROPERTY OF EATON CORPORATION AND IS NOT TO BE REPRODUCED, DISCLOSED OR USED IN ANY MANNER WITHOUT THE WRITTEN CONSENT OF EATON CORPORATION. ALL RIGHTS RESERVED.		UNLESS OTHERWISE SPECIFIED DIMENSIONS ARE IN INCHES TOLERANCES ARE: DECIMAL: .01 ± .005 ANGULAR: ∠ ± 30' FINISH:		DWN	H.	WEYMOUTH	<b>EATON</b> 6500 HARBOUR HT'S PKWY SUITE 320 WA, 98275 MOULTON (425) 349-3240	
..	..	..	..	..	..	-	THIRD ANGLE PROJECTION 		DATE	05/05/2007	CHK	..	<b>E50 Heavy-Duty Sealed 6P+ Side-Push Roller Limit Switch</b> SIZE DRAWING NO. <b>90-26802-038 01</b>		
..	..	..	..	..	..	-	CRITICAL DIMENSION TO BE INSPECTED		SCALE:	SHT 1	OF 1	REV	AutoCAD	REV	

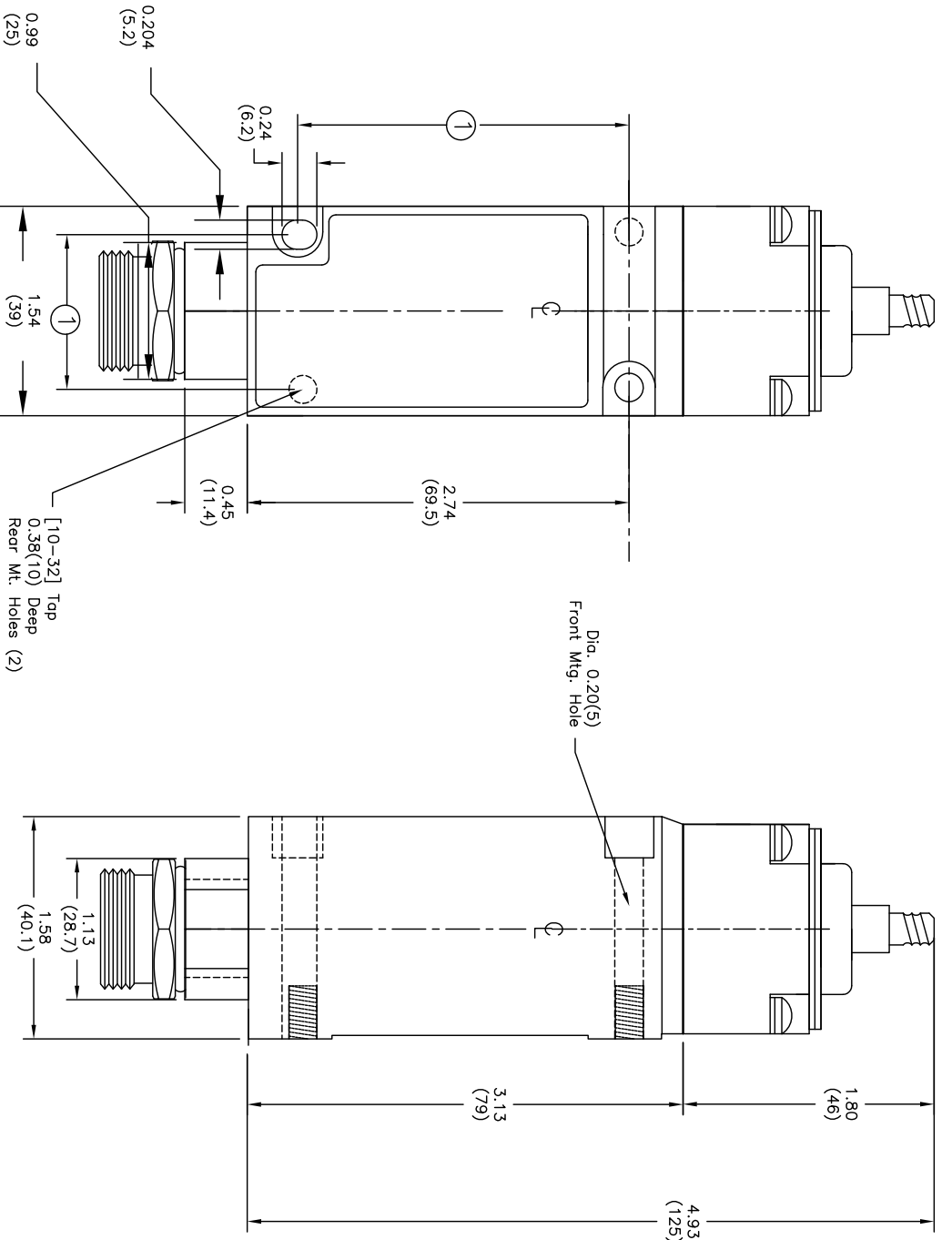
**Models:**  
**E50ALH16PC**  
**E50ANH16PC**



① Can accommodate both U.S. 1.16(29.4) x 2.34(59.5) and DIN, 1.18(30) x 3.26(60), mounting dimensions.

DATE	REV	DESCRIPTION	DWN	ENG	MFG	OTHR	<b>PROPRIETARY NOTICE</b> NOTICE TO ALL PERSONS RECEIVING THIS INFORMATION: THE INFORMATION DISCLOSED HEREIN IS THE PROPERTY OF EATON CORPORATION AND SHALL NOT BE REPRODUCED, DISCLOSED OR USED IN ANY MANNER WITHOUT THE WRITTEN CONSENT OF EATON CORPORATION. ALL RIGHTS RESERVED.		<b>UNLESS OTHERWISE SPECIFIED DIMENSIONS ARE IN INCHES TOLERANCES ARE:</b> DECIMAL: .01 ANGULAR: $\angle \pm 30'$ FINISH:		DWN H. WEYMOUTH DATE 05/05/2007 CHK ENG MFG OTHR OTHR SCALE: SHT 1 OF 1		<b>EATON</b> 6500 HARBOUR HT'S PKWY SUITE 320 WA, 98275 MOULTON (425) 349-3240		<b>E50 Heavy-Duty Sealed 6P+ Maintained Limit Switch</b> SIZE DRAWING NO. <b>90-26802-039 01</b> AutoCAD REV	
..	..	-	..	..	..	-	<b>THIRD ANGLE PROJECTION</b> 		CRITICAL DIMENSION TO BE INSPECTED		DATE REV		DESCRIPTION DWN ENG MFG OTHR		DATE REV	

**Models:**  
**E50ALW16PC**  
**E50ANW16PC**  
**E50ALW26PC**  
**E50ANW26PC**

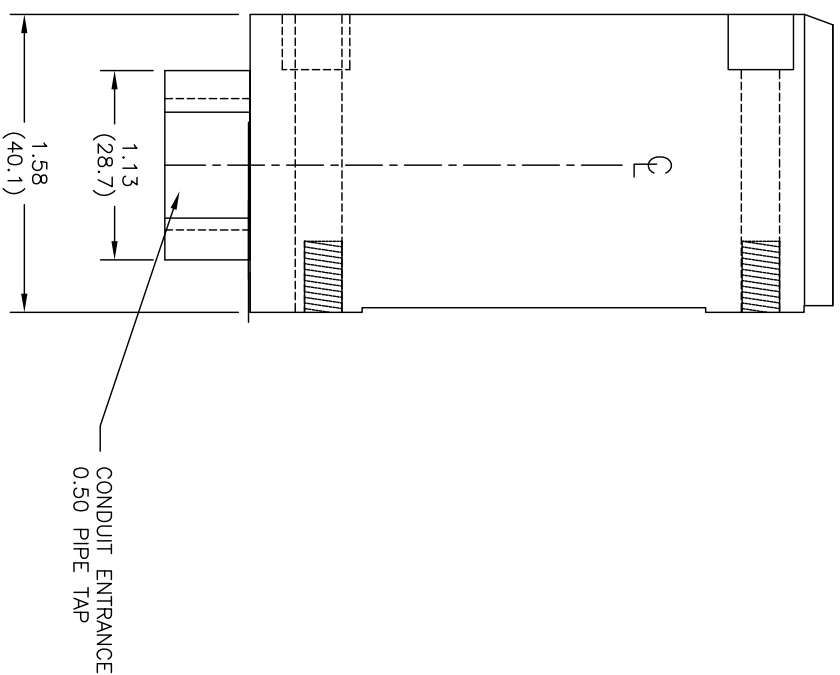
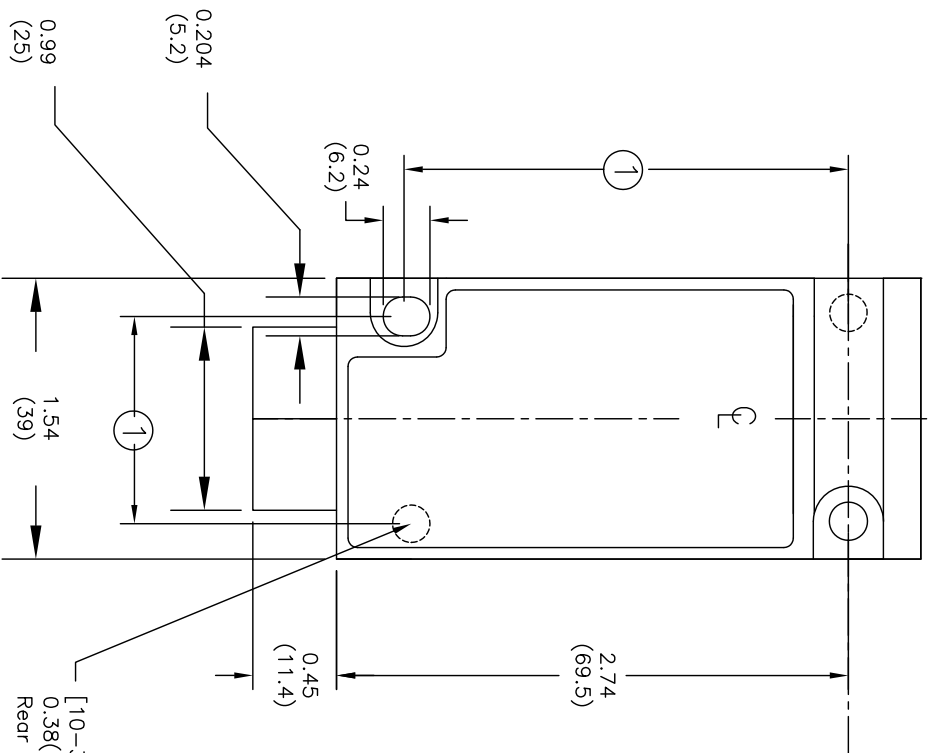


① Can accommodate both U.S. 1.16(29.4) x 2.34(59.5) and DIN, 1.18(30) x 3.26(60), mounting dimensions.

DATE		REV	DESCRIPTION	DWN	ENG	MFG	OTHR	<b>PROPRIETARY NOTICE</b> NOTICE TO ALL PERSONS RECEIVING THIS INFORMATION: THE INFORMATION DISCLOSED HEREIN IS THE PROPERTY OF EATON CORPORATION AND IS NOT TO BE REPRODUCED, DISCLOSED OR USED IN ANY MANNER WITHOUT THE WRITTEN CONSENT OF EATON CORPORATION. ALL RIGHTS RESERVED.		<b>UNLESS OTHERWISE SPECIFIED DIMENSIONS ARE IN INCHES TOLERANCES ARE:</b> DECIMAL: .01 ± .005 ANGULAR: ∠ ± 30' FINISH:		DWN H. WEYMOUTH DATE 05/05/2007 CHK ENG MFG OTHR OTHR		<b>EATON</b> 6500 HARBOUR HT'S PKWY SUITE 320 WA, 98275 MOULTON (425) 349-3240		<b>E50 Heavy-Duty Sealed 6P+ Wobble Stick Limit Switch</b> SIZE DRAWING NO. <b>90-26802-040</b> AutoCAD REV	
DATE		REV	DESCRIPTION	DWN	ENG	MFG	OTHR	<b>THIRD ANGLE PROJECTION</b> 		SCALE: SHT 1 OF 1		<b>A 90-26802-040 01</b>					



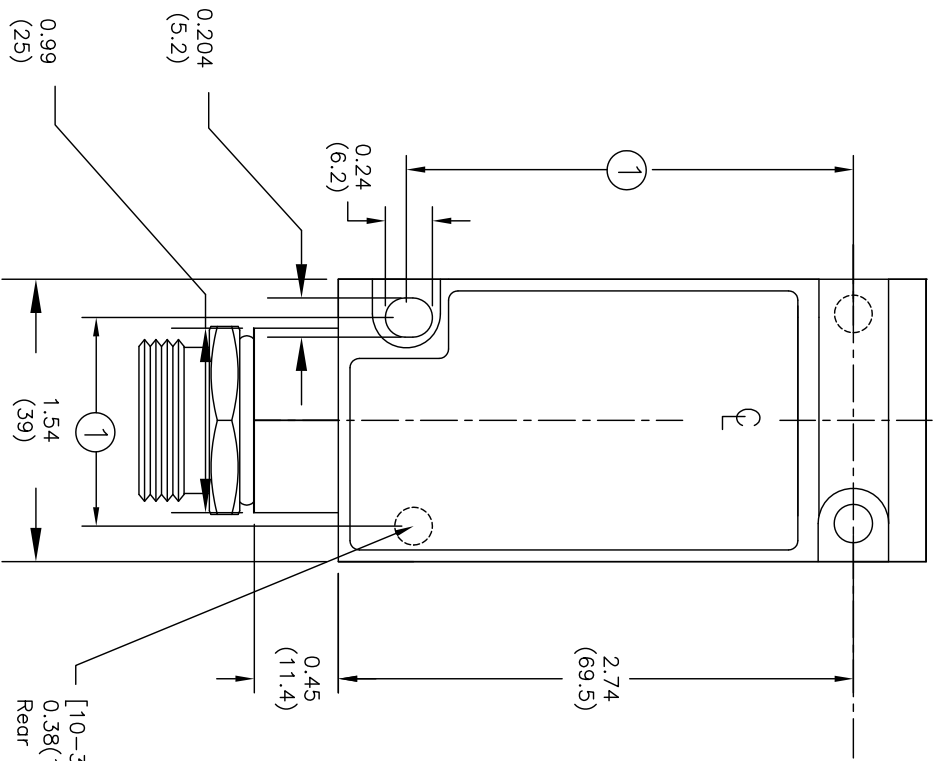
**Models:  
E50SA6P  
E50SB6P**



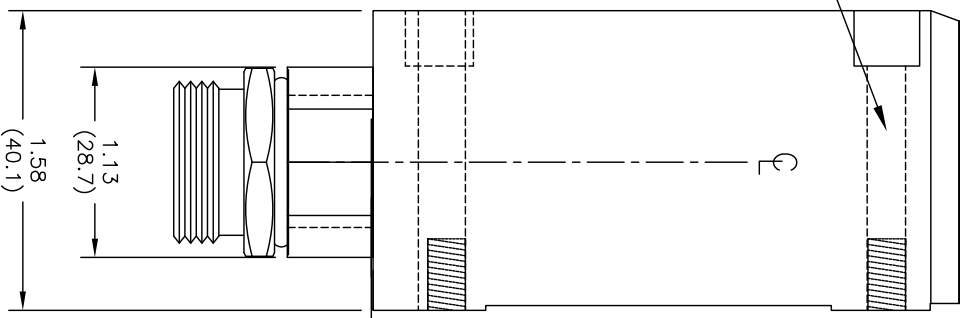
① Can accommodate both U.S. 1.16(29.4) x 2.34(59.5) and DIN, 1.18(30) x 3.26(60), mounting dimensions.

DATE	REV	DESCRIPTION	DWN	ENG	MFG	OTHR	<b>PROPRIETARY NOTICE</b> NOTICE TO ALL PERSONS RECEIVING THIS INFORMATION: THE INFORMATION DISCLOSED HEREIN IS THE PROPERTY OF EATON CORPORATION AND SHALL NOT BE REPRODUCED, DISCLOSED OR USED IN ANY MANNER WITHOUT THE WRITTEN CONSENT OF EATON CORPORATION. COPYRIGHT © EATON CORPORATION. ALL RIGHTS RESERVED.		UNLESS OTHERWISE SPECIFIED DIMENSIONS ARE IN INCHES TOLERANCES ARE: DECIMAL: .01 .XXX ± .005 .XXXX ± .001 ANGULAR: ∠ ± 30'		DWN	H.	W.	WEYMOUTH
..	..	-	..	..	..	-	<b>THIRD ANGLE PROJECTION</b> 		DATE 05/05/2007 CHK ENG MFG OTHR OTHR		SCALE:	SHT	OF	
..	..	-	..	..	..	-	FINISH: .		MATL: .		1	1		
..	..	-	..	..	..	-	CRITICAL DIMENSION TO BE INSPECTED		SIZE DRAWING NO. <b>A</b> <b>90-26802-041</b>		REV			
..	..	-	..	..	..	-	EATON 6500 HARBOUR HT'S PKWY SUITE 320 WA, 98275 WA 98275 (425) 349-3240		<b>E50 Heavy-Duty Sealed 6P Switch Body Cable Versions</b>		01			

**Models:  
E50SA6PC**



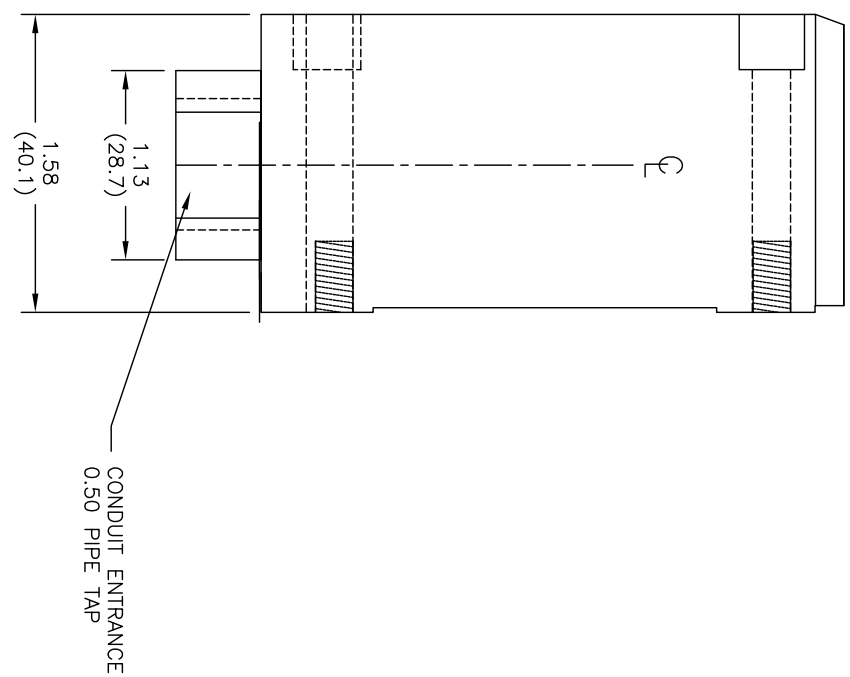
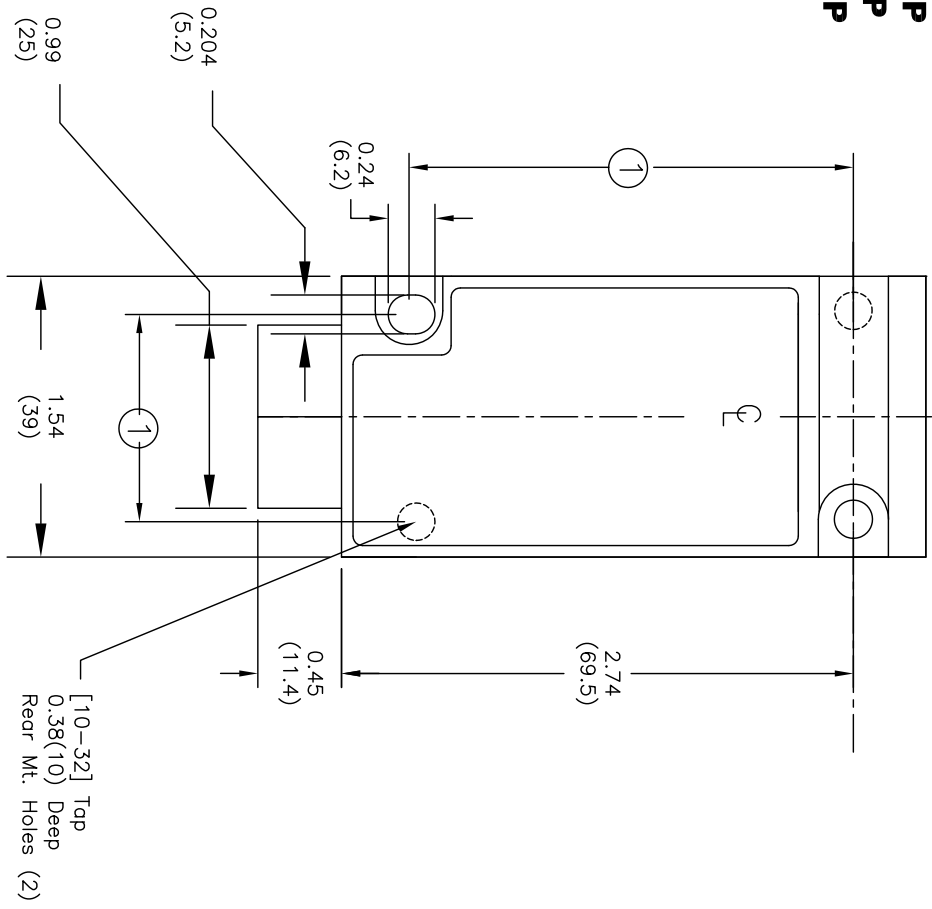
Dia. 0.20(5)  
Front Mtg. Hole



① Can accommodate both U.S. 1.16(29.4) x 2.34(59.5) and DIN, 1.18(30) x 3.26(60), mounting dimensions.

DATE REV		DESCRIPTION		DWN	ENG	MFG	OTHR	<b>PROPRIETARY NOTICE</b> NOTICE TO ALL PERSONS RECEIVING THIS INFORMATION: THE INFORMATION DISCLOSED HEREIN IS THE PROPERTY OF EATON CORPORATION AND SHALL NOT BE REPRODUCED, DISCLOSED OR USED IN ANY MANNER WITHOUT THE WRITTEN CONSENT OF EATON CORPORATION. COPYRIGHT © EATON CORPORATION. ALL RIGHTS RESERVED.	
DATE REV		DESCRIPTION		DWN	ENG	MFG	OTHR	<b>UNLESS OTHERWISE SPECIFIED DIMENSIONS ARE IN INCHES TOLERANCES ARE:</b> DECIMAL: .01 .XXX ± .005 .XXXX ± .001 ANGULAR: ∠ ± 30' FINISH: MATL: OTHR OTHR SCALE: SHT 1 OF 1	
DATE REV		DESCRIPTION		DWN	ENG	MFG	OTHR	<b>THIRD ANGLE PROJECTION</b> <input checked="" type="checkbox"/> CRITICAL DIMENSION TO BE INSPECTED	
DATE REV		DESCRIPTION		DWN	ENG	MFG	OTHR	<b>EATON</b> 6500 HARBOUR HT'S PKWY SUITE 320 WA, 98275 MOULTON (425) 349-3240 <b>E50 Heavy-Duty Sealed 6P Switch Body 5 Pin Connector</b> SIZE DRAWING NO. <b>90-26802-042</b> REV <b>01</b>	

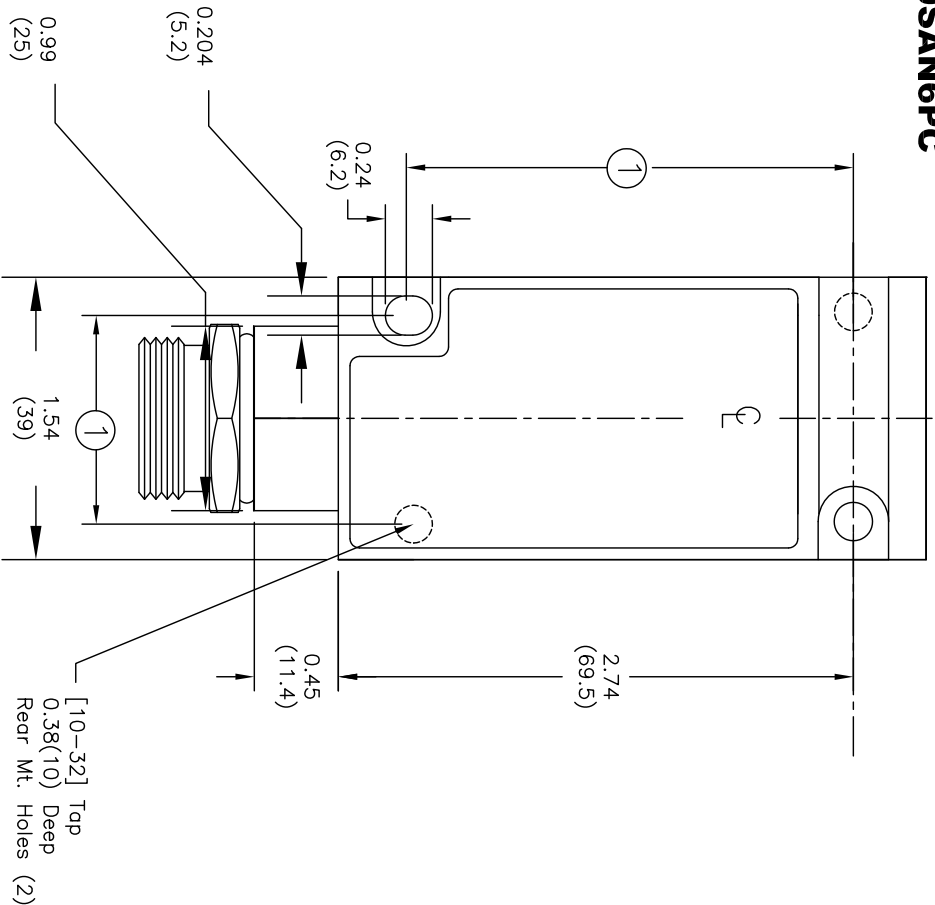
**Models:**  
**E50SAL6P**  
**E50SAN6P**  
**E50SBL6P**  
**E50SBN6P**



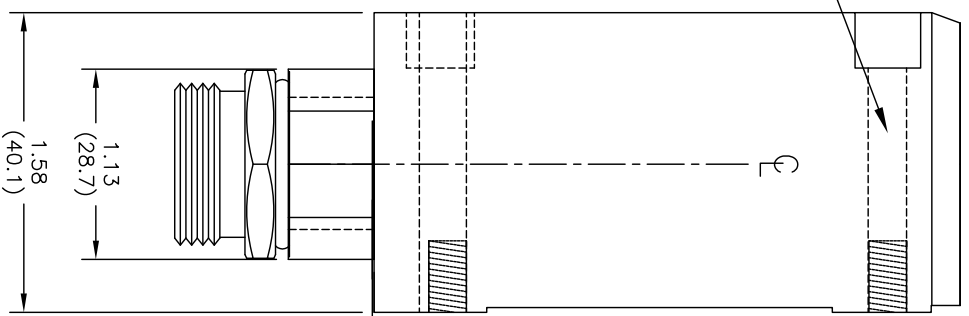
① Can accommodate both U.S. 1.16(29.4) x 2.34(59.5) and DIN, 1.18(30) x 3.26(60), mounting dimensions.

DATE	REV	DESCRIPTION	DWN	ENG	MFG	OTHR	<b>PROPRIETARY NOTICE</b> NOTICE TO ALL PERSONS RECEIVING THIS INFORMATION: THE INFORMATION DISCLOSED HEREIN IS THE PROPERTY OF EATON CORPORATION AND SHALL NOT BE REPRODUCED, DISCLOSED OR USED IN ANY MANNER WITHOUT THE WRITTEN CONSENT OF EATON CORPORATION. COPYRIGHT © EATON CORPORATION. ALL RIGHTS RESERVED.		UNLESS OTHERWISE SPECIFIED DIMENSIONS ARE IN INCHES TOLERANCES ARE: DECIMAL: .01 .XXX ± .005 .XXXX ± .001 ANGULAR: ∠ ± 30'		DWN	H.	W.	WEYMOUTH	<b>EATON</b> 6500 HARBOUR HT'S PKWY SUITE 320 WA, 98275 MUKDLEO (425) 349-3240		<b>E50 Heavy-Duty Sealed 6P Switch Body Cable Versions</b> SIZE: A DRAWING NO.: 90-26802-043 AutoCAD REV 01
..	..	-	..	..	..	-	THIRD ANGLE PROJECTION 		FINISH: . . . . .		SCALE:	SHT	OF	AutoCAD REV			
..	..	-	..	..	..	-	<input checked="" type="checkbox"/> = TO BE INSPECTED		MATL:		1	1	AutoCAD REV				

**Models:  
E50SAL6PC  
E50SAN6PC**



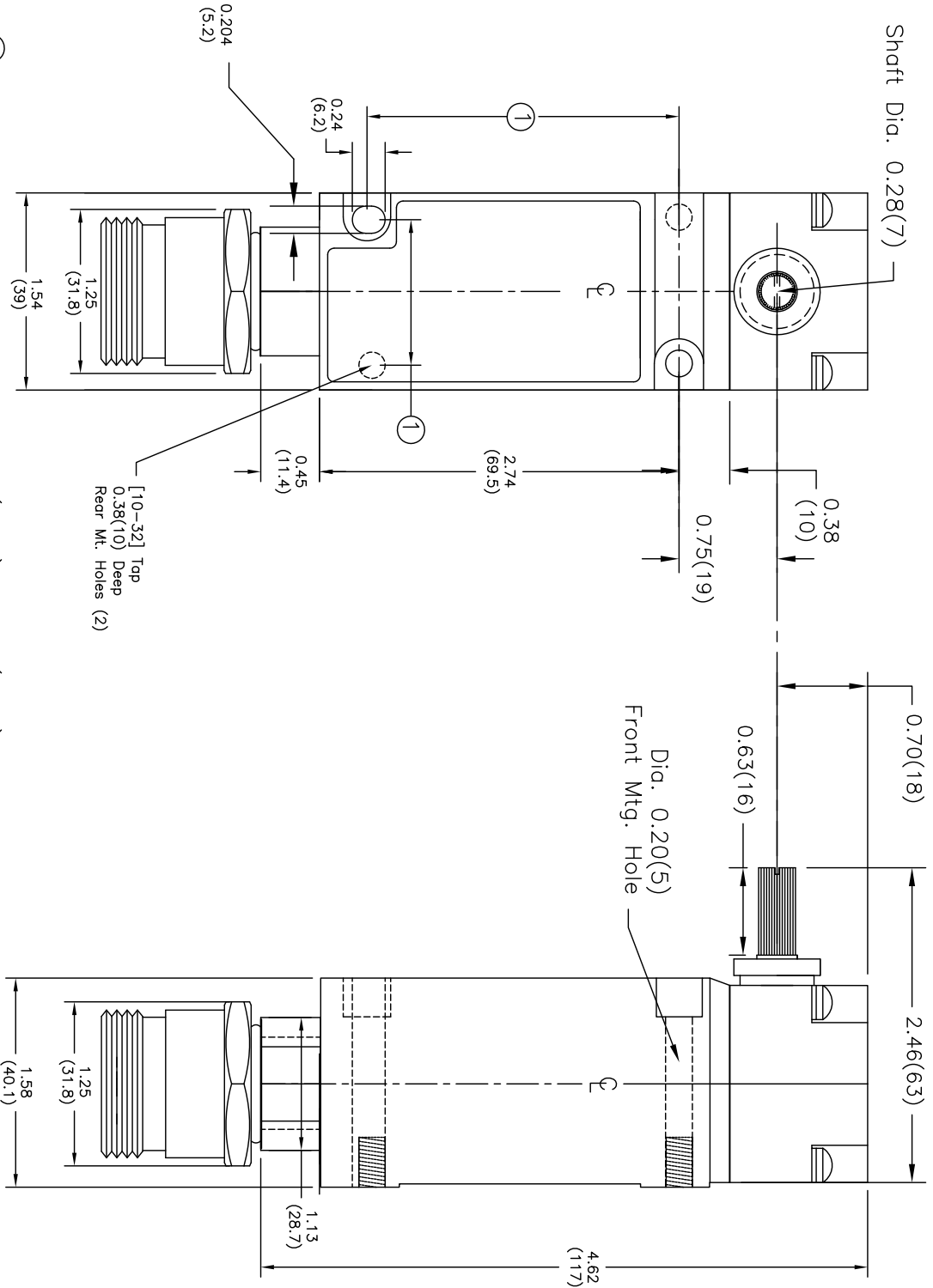
Dia. 0.20(5)  
Front Mtg. Hole



① Can accommodate both U.S. 1.16(29.4) x 2.34(59.5) and DIN, 1.18(30) x 3.26(60), mounting dimensions.

<p><b>PROPRIETARY NOTICE</b> NOTICE TO ALL PERSONS RECEIVING THIS INFORMATION: THE INFORMATION DISCLOSED HEREIN IS THE PROPERTY OF EATON CORPORATION AND SHALL NOT BE REPRODUCED, DISCLOSED OR USED IN ANY MANNER WITHOUT THE WRITTEN CONSENT OF EATON CORPORATION. COPYRIGHT © EATON CORPORATION. ALL RIGHTS RESERVED.</p>		<p>UNLESS OTHERWISE SPECIFIED DIMENSIONS ARE IN INCHES TOLERANCES ARE:</p> <table border="1"> <tr> <td>DECIMAL:</td> <td>ANGULAR:</td> </tr> <tr> <td>XX ± .01</td> <td>∠ ± 30'</td> </tr> <tr> <td>XXX ± .005</td> <td></td> </tr> <tr> <td>XXXX ± .001</td> <td></td> </tr> </table>		DECIMAL:	ANGULAR:	XX ± .01	∠ ± 30'	XXX ± .005		XXXX ± .001	
DECIMAL:	ANGULAR:										
XX ± .01	∠ ± 30'										
XXX ± .005											
XXXX ± .001											
<p>THIRD ANGLE PROJECTION</p>		<p>DWN H. WEYMOUTH DATE 05/05/2007</p>									
<p>CRITICAL DIMENSION TO BE INSPECTED</p>		<p>SCALE: SHT 1 OF 1</p>									
<p>FINISH:</p>		<p>SIZE DRAWING NO. <b>A</b></p>									
<p>DATE REV DESCRIPTION DWN ENG MFG OTHER</p>		<p><b>EATON</b> 6500 HARBOUR HT'S PKWY SUITE 320 WA, 98275 (425) 349-3240</p>									
<p>Sealed 6P Switch Body 5 Pin Connector</p>		<p>AutoCAD REV</p>									
<p>90-26802-044 01</p>		<p>AutoCAD REV</p>									

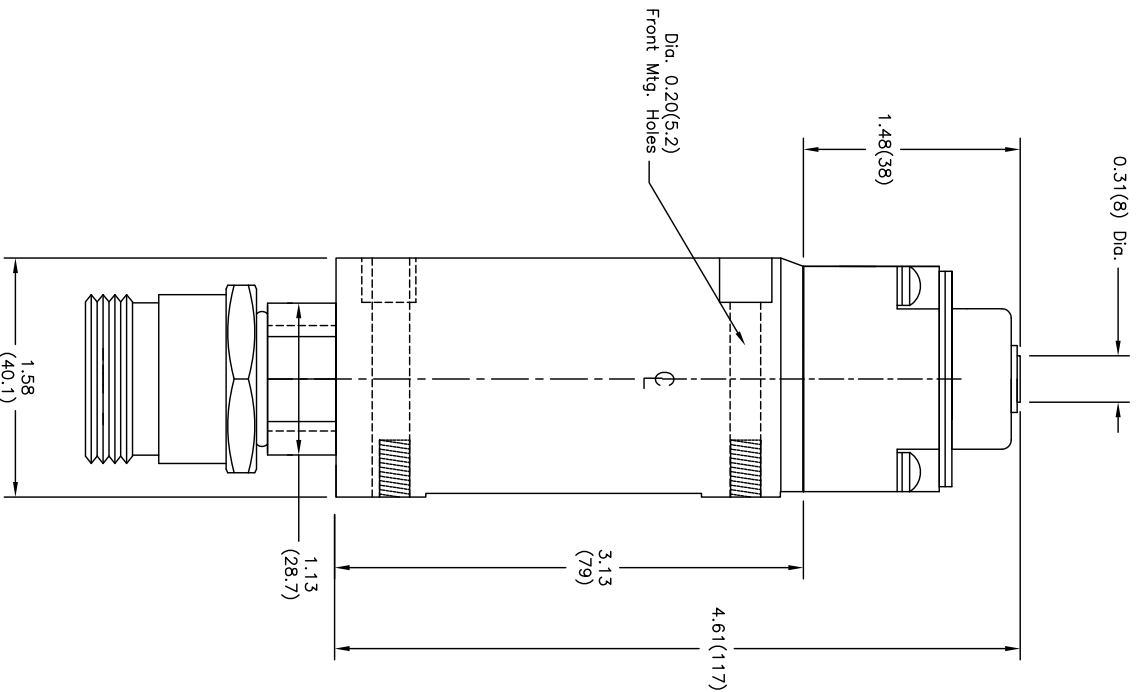
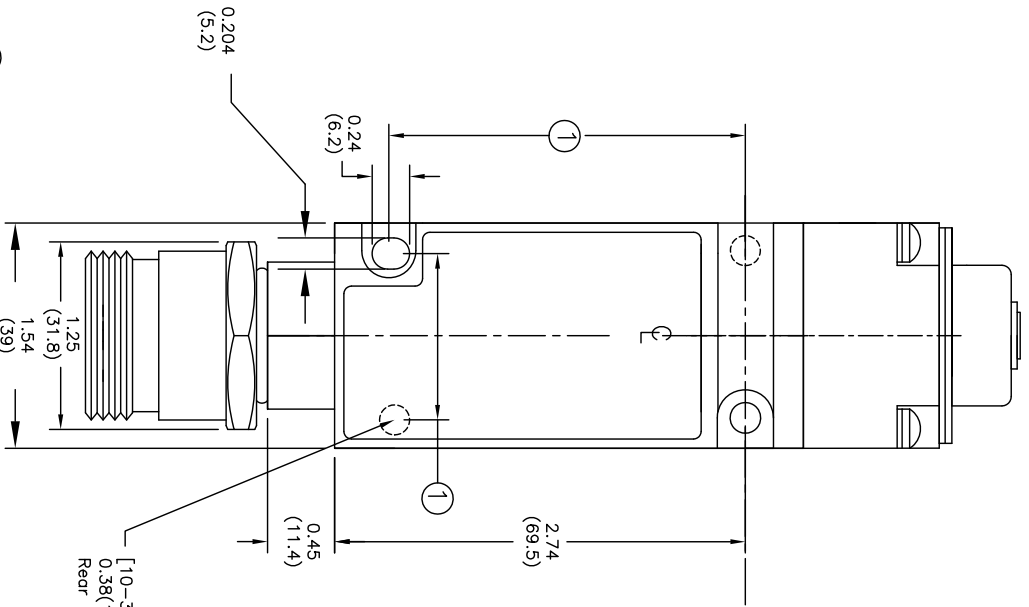
**Models:**  
**E50BR16PC**  
**E50BL16PC**  
**E50BM16PC**



① Can accommodate both U.S. 1.16(29.4) x 2.34(59.5) and DIN, 1.18(30) x 3.26(60), mounting dimensions.

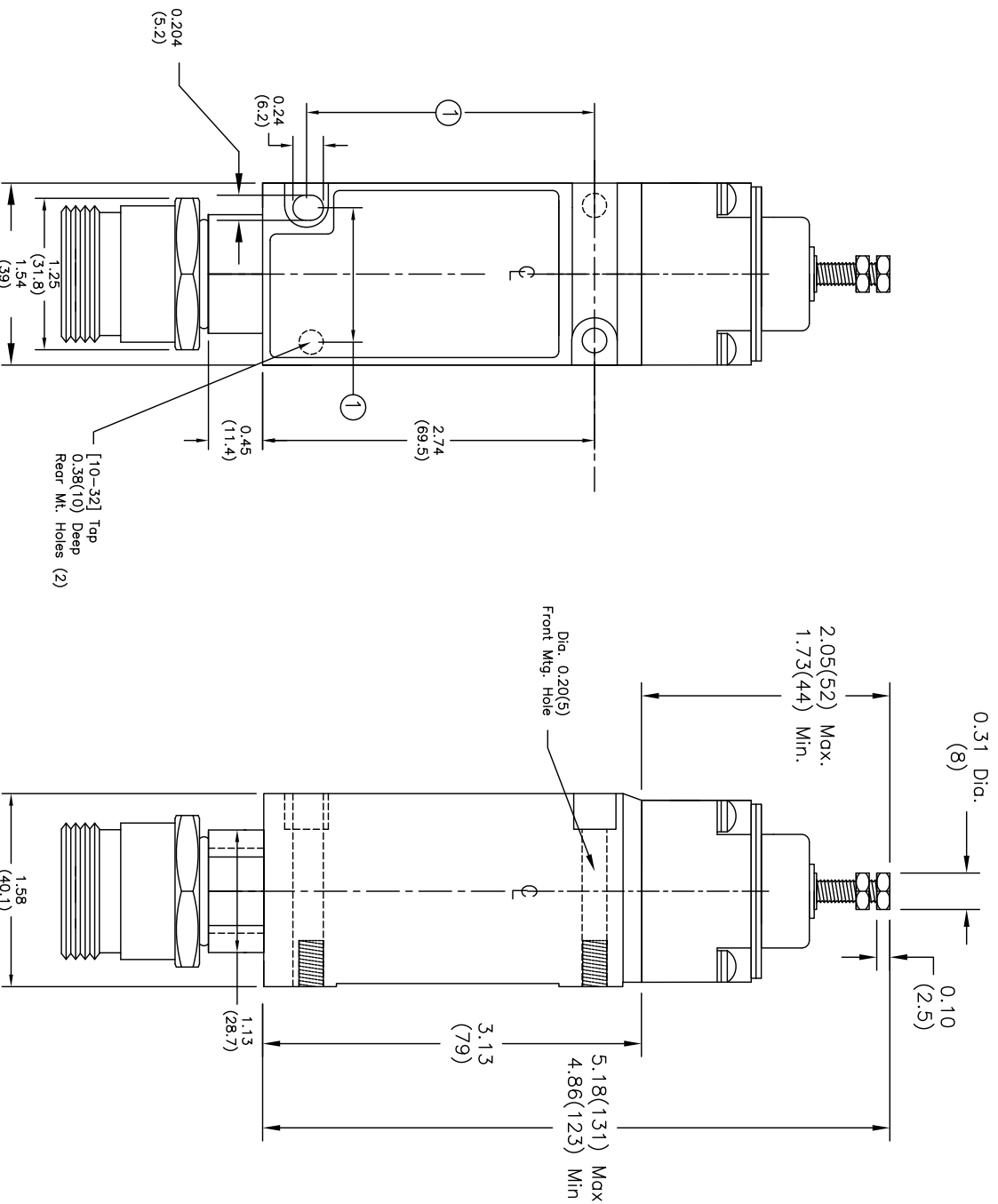
DATE		REV	DESCRIPTION	DWN	ENG	MFG	OTHR	<b>PROPRIETARY NOTICE</b> NOTICE TO ALL PERSONS RECEIVING THIS INFORMATION: THE INFORMATION DISCLOSED HEREIN IS THE CONFIDENTIAL INFORMATION OF EATON CORPORATION AND IS NOT TO BE REPRODUCED, DISCLOSED OR USED IN ANY MANNER WITHOUT THE WRITTEN CONSENT OF EATON CORPORATION. ALL RIGHTS RESERVED.		<b>UNLESS OTHERWISE SPECIFIED DIMENSIONS ARE IN INCHES TOLERANCES ARE:</b> DECIMAL: .01 .XXX ± .005 .XXXX ± .001 ANGULAR: ∠ ± 30' FINISH:		DWN H. WEYMOUTH DATE 05/05/2007 CHK ENG MFG OTHR OTHR SCALE: SHT 1 OF 1		<b>EATON</b> 6500 HARBOUR HT'S PKWY SUITE 320 WA 98275 MUKLETTA WA 98275 (425) 349-5240		<b>E50 Heavy-Duty Sealed 6P+ Side Rotary Limit Switch</b> SIZE DRAWING NO. <b>A 90-26802-045 01</b> AutoCAD REV	
------	--	-----	-------------	-----	-----	-----	------	--	--	--	--	--	--	---	--	---	--

# Models: E50BT16PC



DATE	REV	DESCRIPTION	DWN	ENG	MFG	OTHR	<b>PROPRIETARY NOTICE</b> NOTICE TO ALL PERSONS RECEIVING THIS INFORMATION: THE INFORMATION DISCLOSED HEREIN IS THE PROPERTY OF EATON CORPORATION AND IS NOT TO BE REPRODUCED, DISCLOSED OR USED IN ANY MANNER WITHOUT THE WRITTEN CONSENT OF EATON CORPORATION. ALL RIGHTS RESERVED.		UNLESS OTHERWISE SPECIFIED DIMENSIONS ARE IN INCHES TOLERANCES ARE: DECIMAL: .01 .XXX ± .005 .XXXX ± .001 ANGULAR: ∠ ± 30' FINISH:		DWN	H.	W.	WEYMOUTH	<b>EATON</b> 6500 HARBOUR HT'S PKWY SUITE 320 WA, 98275 MOULTON (425) 349-3240		<b>AutoCAD</b> SIZE DRAWING NO. <b>90-2602-046</b> REV <b>01</b>
..	..	-	..	..	..	-	<b>THIRD ANGLE PROJECTION</b> 		CRITICAL DIMENSION TO BE INSPECTED		..	..	..	..	<b>50 Heavy-Duty Sealed 6P+ Top-Push Limit Switch</b>		

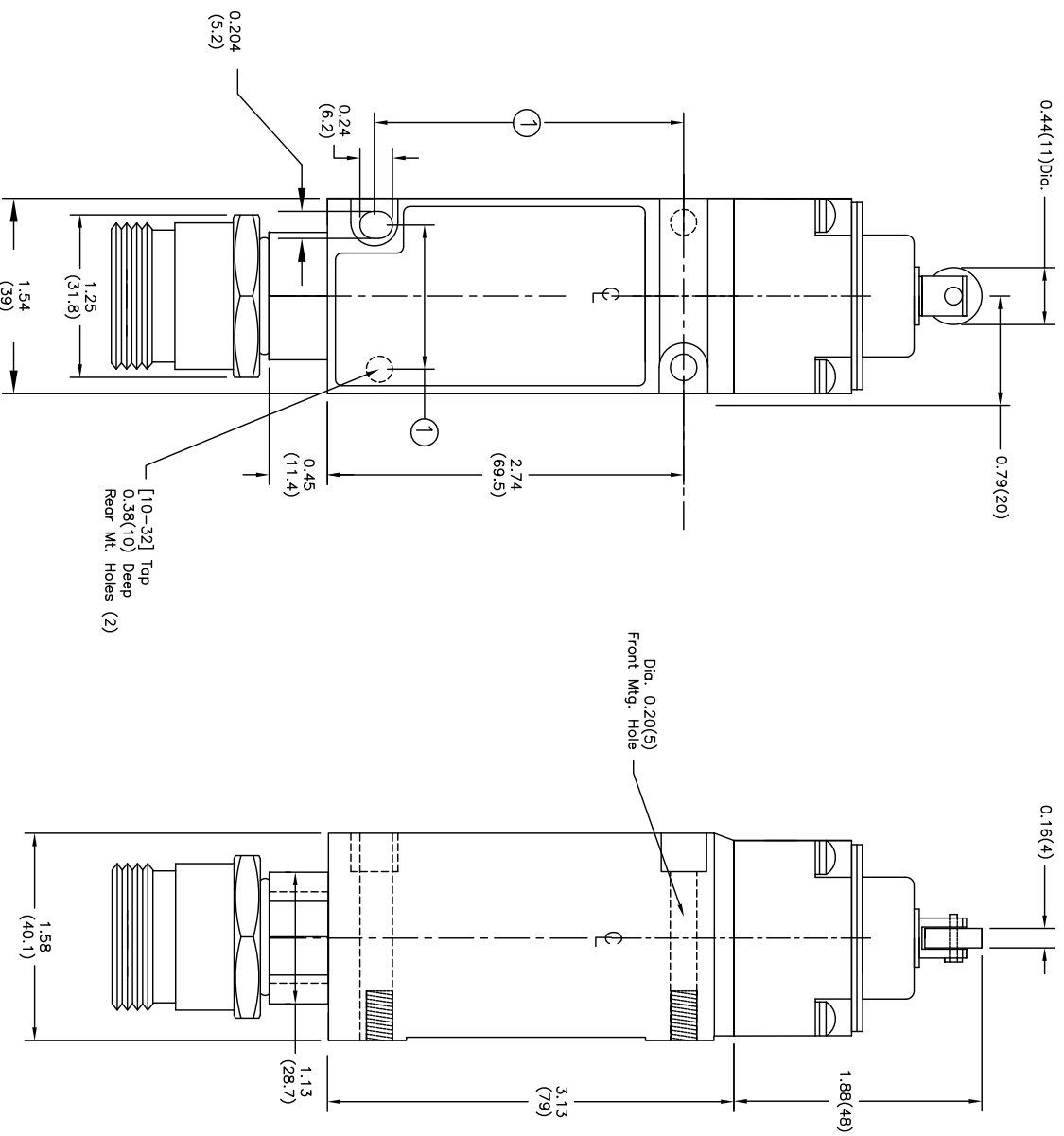
# Models: E50BT26PC



① Can accommodate both U.S. 1.16(29.4) x 2.34(59.5) and DIN, 1.18(30) x 3.26(60), mounting dimensions.

DATE		REV	DESCRIPTION	DWN	ENG	MFG	OTHR	<b>PROPRIETARY NOTICE</b> NOTICE TO ALL PERSONS RECEIVING THIS INFORMATION: THE INFORMATION DISCLOSED HEREIN IS THE PROPERTY OF EATON CORPORATION AND IS NOT TO BE REPRODUCED, DISCLOSED OR USED IN ANY MANNER WITHOUT THE WRITTEN CONSENT OF EATON CORPORATION. ALL RIGHTS RESERVED.		<b>UNLESS OTHERWISE SPECIFIED DIMENSIONS ARE IN INCHES TOLERANCES ARE:</b> DECIMAL: .01 ANGULAR: $\angle \pm 30'$ FINISH:		DWN H. WEYMOUTH DATE 05/05/2007		<b>EATON</b> 6500 HARBOUR HT'S PKWY SUITE 320 WA, 98275 MOULTON (425) 349-3240	
DATE		REV	DESCRIPTION	DWN	ENG	MFG	OTHR	<b>THIRD ANGLE PROJECTION</b> 		SCALE: SHT 1 OF 1		<b>E50 Heavy-Duty Sealed 6P+ Top-Push Limit Switch</b> SIZE DRAWING NO. <b>90-2602-047</b> AutoCAD REV <b>01</b>			

# Models: E50BT36PC

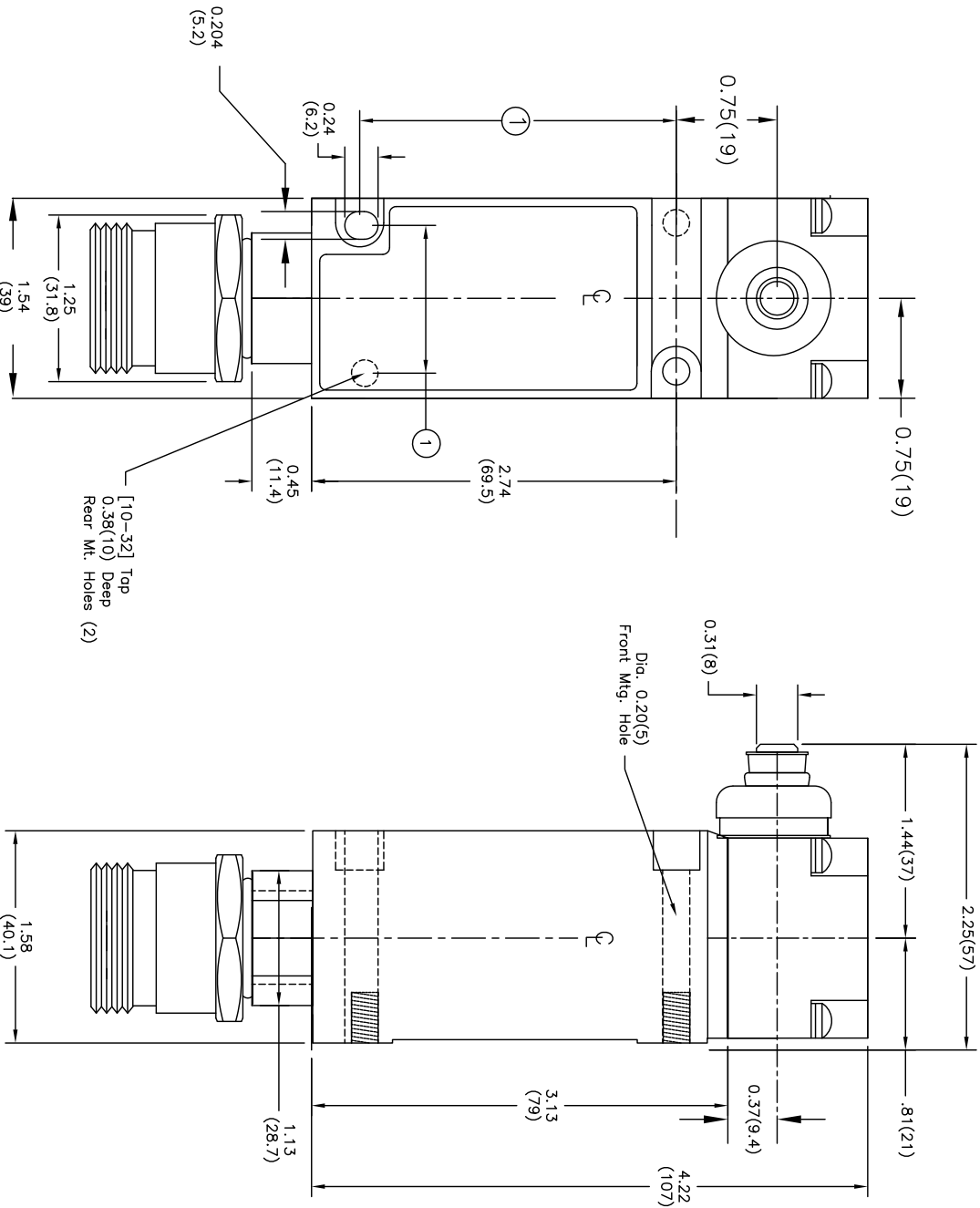


① Can accommodate both U.S. 1.16(29.4) x 2.34(59.5) and DIN, 1.18(30) x 3.26(60), mounting dimensions.

DATE	REV	DESCRIPTION	DWN	ENG	MFG	OTHR	<b>PROPRIETARY NOTICE</b> NOTICE TO ALL PERSONS RECEIVING THIS INFORMATION: THE INFORMATION DISCLOSED HEREIN IS THE PROPERTY OF EATON CORPORATION. IT IS NOT TO BE REPRODUCED, DISCLOSED OR USED IN ANY MANNER WITHOUT THE WRITTEN CONSENT OF EATON CORPORATION. ALL RIGHTS RESERVED.		UNLESS OTHERWISE SPECIFIED DIMENSIONS ARE IN INCHES TOLERANCES ARE: DECIMAL: .01 ANGULAR: $\angle \pm 30'$ FINISH:		DWN H. WEYMOUTH DATE 05/05/2007 CHK ENG MFG OTHR OTHR SCALE: SHT 1 OF 1		<b>EATON</b> 6500 HARBOUR HT'S PKWY SUITE 320 WA, 98275 MOULTON (425) 349-3240 <b>E50 Heavy-Duty Sealed 6P+ Top-Push Limit Switch</b> SIZE DRAWING NO. <b>90-2602-048</b> AutoCAD REV <b>01</b>	
..	..	-	..	..	..	-	<b>CRITICAL DIMENSION TO BE INSPECTED</b>		MATL:		OTHR		REV	
..	..	-	..	..	..	-	THIRD ANGLE PROJECTION		.005 .001		OTHR		REV	
..	..	-	..	..	..	-	THIRD ANGLE PROJECTION		.005 .001		OTHR		REV	
..	..	-	..	..	..	-	THIRD ANGLE PROJECTION		.005 .001		OTHR		REV	
..	..	-	..	..	..	-	THIRD ANGLE PROJECTION		.005 .001		OTHR		REV	
..	..	-	..	..	..	-	THIRD ANGLE PROJECTION		.005 .001		OTHR		REV	
..	..	-	..	..	..	-	THIRD ANGLE PROJECTION		.005 .001		OTHR		REV	
..	..	-	..	..	..	-	THIRD ANGLE PROJECTION		.005 .001		OTHR		REV	
..	..	-	..	..	..	-	THIRD ANGLE PROJECTION		.005 .001		OTHR		REV	
..	..	-	..	..	..	-	THIRD ANGLE PROJECTION		.005 .001		OTHR		REV	
..	..	-	..	..	..	-	THIRD ANGLE PROJECTION		.005 .001		OTHR		REV	
..	..	-	..	..	..	-	THIRD ANGLE PROJECTION		.005 .001		OTHR		REV	
..	..	-	..	..	..	-	THIRD ANGLE PROJECTION		.005 .001		OTHR		REV	
..	..	-	..	..	..	-	THIRD ANGLE PROJECTION		.005 .001		OTHR		REV	
..	..	-	..	..	..	-	THIRD ANGLE PROJECTION		.005 .001		OTHR		REV	
..	..	-	..	..	..	-	THIRD ANGLE PROJECTION		.005 .001		OTHR		REV	
..	..	-	..	..	..	-	THIRD ANGLE PROJECTION		.005 .001		OTHR		REV	
..	..	-	..	..	..	-	THIRD ANGLE PROJECTION		.005 .001		OTHR		REV	
..	..	-	..	..	..	-	THIRD ANGLE PROJECTION		.005 .001		OTHR		REV	
..	..	-	..	..	..	-	THIRD ANGLE PROJECTION		.005 .001		OTHR		REV	
..	..	-	..	..	..	-	THIRD ANGLE PROJECTION		.005 .001		OTHR		REV	
..	..	-	..	..	..	-	THIRD ANGLE PROJECTION		.005 .001		OTHR		REV	
..	..	-	..	..	..	-	THIRD ANGLE PROJECTION		.005 .001		OTHR		REV	
..	..	-	..	..	..	-	THIRD ANGLE PROJECTION		.005 .001		OTHR		REV	
..	..	-	..	..	..	-	THIRD ANGLE PROJECTION		.005 .001		OTHR		REV	
..	..	-	..	..	..	-	THIRD ANGLE PROJECTION		.005 .001		OTHR		REV	
..	..	-	..	..	..	-	THIRD ANGLE PROJECTION		.005 .001		OTHR		REV	
..	..	-	..	..	..	-	THIRD ANGLE PROJECTION		.005 .001		OTHR		REV	
..	..	-	..	..	..	-	THIRD ANGLE PROJECTION		.005 .001		OTHR		REV	
..	..	-	..	..	..	-	THIRD ANGLE PROJECTION		.005 .001		OTHR		REV	
..	..	-	..	..	..	-	THIRD ANGLE PROJECTION		.005 .001		OTHR		REV	
..	..	-	..	..	..	-	THIRD ANGLE PROJECTION		.005 .001		OTHR		REV	
..	..	-	..	..	..	-	THIRD ANGLE PROJECTION		.005 .001		OTHR		REV	
..	..	-	..	..	..	-	THIRD ANGLE PROJECTION		.005 .001		OTHR		REV	
..	..	-	..	..	..	-	THIRD ANGLE PROJECTION		.005 .001		OTHR		REV	
..	..	-	..	..	..	-	THIRD ANGLE PROJECTION		.005 .001		OTHR		REV	
..	..	-	..	..	..	-	THIRD ANGLE PROJECTION		.005 .001		OTHR		REV	
..	..	-	..	..	..	-	THIRD ANGLE PROJECTION		.005 .001		OTHR		REV	
..	..	-	..	..	..	-	THIRD ANGLE PROJECTION		.005 .001		OTHR		REV	
..	..	-	..	..	..	-	THIRD ANGLE PROJECTION		.005 .001		OTHR		REV	
..	..	-	..	..	..	-	THIRD ANGLE PROJECTION		.005 .001		OTHR		REV	
..	..	-	..	..	..	-	THIRD ANGLE PROJECTION		.005 .001		OTHR		REV	
..	..	-	..	..	..	-	THIRD ANGLE PROJECTION		.005 .001		OTHR		REV	
..	..	-	..	..	..	-	THIRD ANGLE PROJECTION		.005 .001		OTHR		REV	
..	..	-	..	..	..	-	THIRD ANGLE PROJECTION		.005 .001		OTHR		REV	
..	..	-	..	..	..	-	THIRD ANGLE PROJECTION		.005 .001		OTHR		REV	
..	..	-	..	..	..	-	THIRD ANGLE PROJECTION		.005 .001		OTHR		REV	
..	..	-	..	..	..	-	THIRD ANGLE PROJECTION		.005 .001		OTHR		REV	
..	..	-	..	..	..	-	THIRD ANGLE PROJECTION		.005 .001		OTHR		REV	
..	..	-	..	..	..	-	THIRD ANGLE PROJECTION		.005 .001		OTHR		REV	
..	..	-	..	..	..	-	THIRD ANGLE PROJECTION		.005 .001		OTHR		REV	
..	..	-	..	..	..	-	THIRD ANGLE PROJECTION		.005 .001		OTHR		REV	
..	..	-	..	..	..	-	THIRD ANGLE PROJECTION		.005 .001		OTHR		REV	
..	..	-	..	..	..	-	THIRD ANGLE PROJECTION		.005 .001		OTHR		REV	
..	..	-	..	..	..	-	THIRD ANGLE PROJECTION		.005 .001		OTHR		REV	
..	..	-	..	..	..	-	THIRD ANGLE PROJECTION		.005 .001		OTHR		REV	
..	..	-	..	..	..	-	THIRD ANGLE PROJECTION		.005 .001		OTHR		REV	
..	..	-	..	..	..	-	THIRD ANGLE PROJECTION		.005 .001		OTHR		REV	
..	..	-	..	..	..	-	THIRD ANGLE PROJECTION		.005 .001		OTHR		REV	
..	..	-	..	..	..	-	THIRD ANGLE PROJECTION		.005 .001		OTHR		REV	
..	..	-	..	..	..	-	THIRD ANGLE PROJECTION		.005 .001		OTHR		REV	
..	..	-	..	..	..	-	THIRD ANGLE PROJECTION		.005 .001		OTHR		REV	
..	..	-	..	..	..	-	THIRD ANGLE PROJECTION		.005 .001		OTHR		REV	
..	..	-	..	..	..	-	THIRD ANGLE PROJECTION		.005 .001		OTHR		REV	
..	..	-	..	..	..	-	THIRD ANGLE PROJECTION		.005 .001		OTHR		REV	
..	..	-	..	..	..	-	THIRD ANGLE PROJECTION		.005 .001		OTHR		REV	
..	..	-	..	..	..	-	THIRD ANGLE PROJECTION		.005 .001		OTHR		REV	
..	..	-	..	..	..	-	THIRD ANGLE PROJECTION		.005 .001		OTHR		REV	
..	..	-	..	..	..	-	THIRD ANGLE PROJECTION		.005 .001		OTHR		REV	
..	..	-	..	..	..	-	THIRD ANGLE PROJECTION		.005 .001		OTHR		REV	
..	..	-	..	..	..	-	THIRD ANGLE PROJECTION		.005 .001		OTHR		REV	
..	..	-	..	..	..	-	THIRD ANGLE PROJECTION		.005 .001		OTHR		REV	
..	..	-	..	..	..	-	THIRD ANGLE PROJECTION		.005 .001		OTHR		REV	
..	..	-	..	..	..	-	THIRD ANGLE PROJECTION		.005 .001		OTHR		REV	
..	..	-	..	..	..	-	THIRD ANGLE PROJECTION		.005 .001		OTHR		REV	
..	..	-	..	..	..	-	THIRD ANGLE PROJECTION		.005 .001		OTHR		REV	
..	..	-	..	..	..	-	THIRD ANGLE PROJECTION		.005 .001		OTHR		REV	
..	..	-	..	..	..	-	THIRD ANGLE PROJECTION		.005 .001		OTHR		REV	
..	..	-	..	..	..	-	THIRD ANGLE PROJECTION		.005 .001		OTHR		REV	
..	..	-	..	..	..	-	THIRD ANGLE PROJECTION		.005 .001		OTHR		REV	
..	..	-	..	..	..	-	THIRD ANGLE PROJECTION		.005 .001		OTHR		REV	
..	..	-	..	..	..	-	THIRD ANGLE PROJECTION		.005 .001		OTHR		REV	
..	..	-	..	..	..	-	THIRD ANGLE PROJECTION		.005 .001		OTHR		REV	
..	..	-	..	..	..	-	THIRD ANGLE PROJECTION		.005 .001		OTHR		REV	
..	..	-	..	..	..	-	THIRD ANGLE PROJECTION		.005 .001		OTHR		REV	
..	..	-	..	..	..	-	THIRD ANGLE PROJECTION		.005 .001		OTHR		REV	
..	..	-	..	..	..	-	THIRD ANGLE PROJECTION		.005 .001		OTHR		REV	
..	..	-	..	..	..	-	THIRD ANGLE PROJECTION		.005 .001		OTHR		REV	
..	..	-	..	..	..	-	THIRD ANGLE PROJECTION		.005 .001		OTHR		REV	
..	..	-	..	..	..	-	THIRD ANGLE PROJECTION		.005 .001		OTHR		REV	
..	..	-	..	..	..	-	THIRD ANGLE PROJECTION							



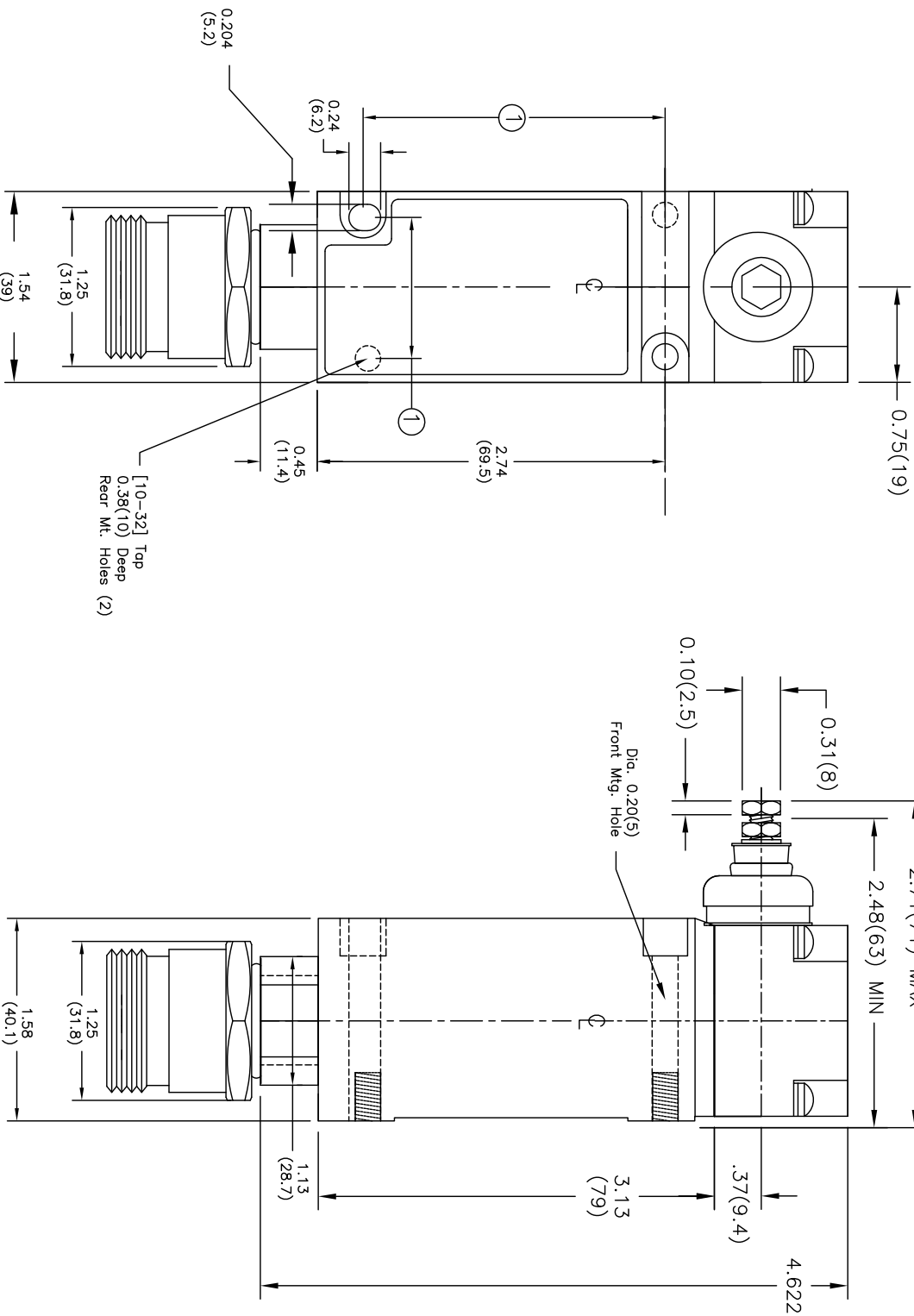
**Models:  
E50BS16PC**



① Can accommodate both U.S. 1.16(29.4) x 2.34(59.5) and DIN, 1.18(30) x 3.26(60), mounting dimensions.

DATE	REV	DESCRIPTION	DWN	ENG	MFG	OTHER	<b>PROPRIETARY NOTICE</b> NOTICE TO ALL PERSONS RECEIVING THIS INFORMATION: THE INFORMATION DISCLOSED HEREIN IS THE PROPERTY OF EATON CORPORATION AND SHALL NOT BE REPRODUCED, DISCLOSED OR USED IN ANY MANNER WITHOUT THE WRITTEN CONSENT OF EATON CORPORATION. ALL RIGHTS RESERVED.		<b>UNLESS OTHERWISE SPECIFIED DIMENSIONS ARE IN INCHES TOLERANCES ARE:</b> DECIMAL: .01 ± .005 ANGULAR: ∠ ± 30' MATL: XXXX ± .001 FINISH:		DWN H. WEYMOUTH DATE 05/05/2007		<b>EATON</b> 6500 HARBOUR HT'S PKWY SUITE 320 WA, 98275 MOULTON (425) 349-3240		<b>E50 Heavy-Duty Sealed 6P+ Side-Push Limit Switch</b>		SIZE DRAWING NO. <b>A 90-26802-049</b>	REV <b>01</b>
..	..	..	..	..	..	-	<b>THIRD ANGLE PROJECTION</b> 		SCALE: SHT 1 OF 1		AutoCAD		REV					
..	..	..	..	..	..	-	CRITICAL DIMENSION TO BE INSPECTED		DATE		REV		DESCRIPTION					

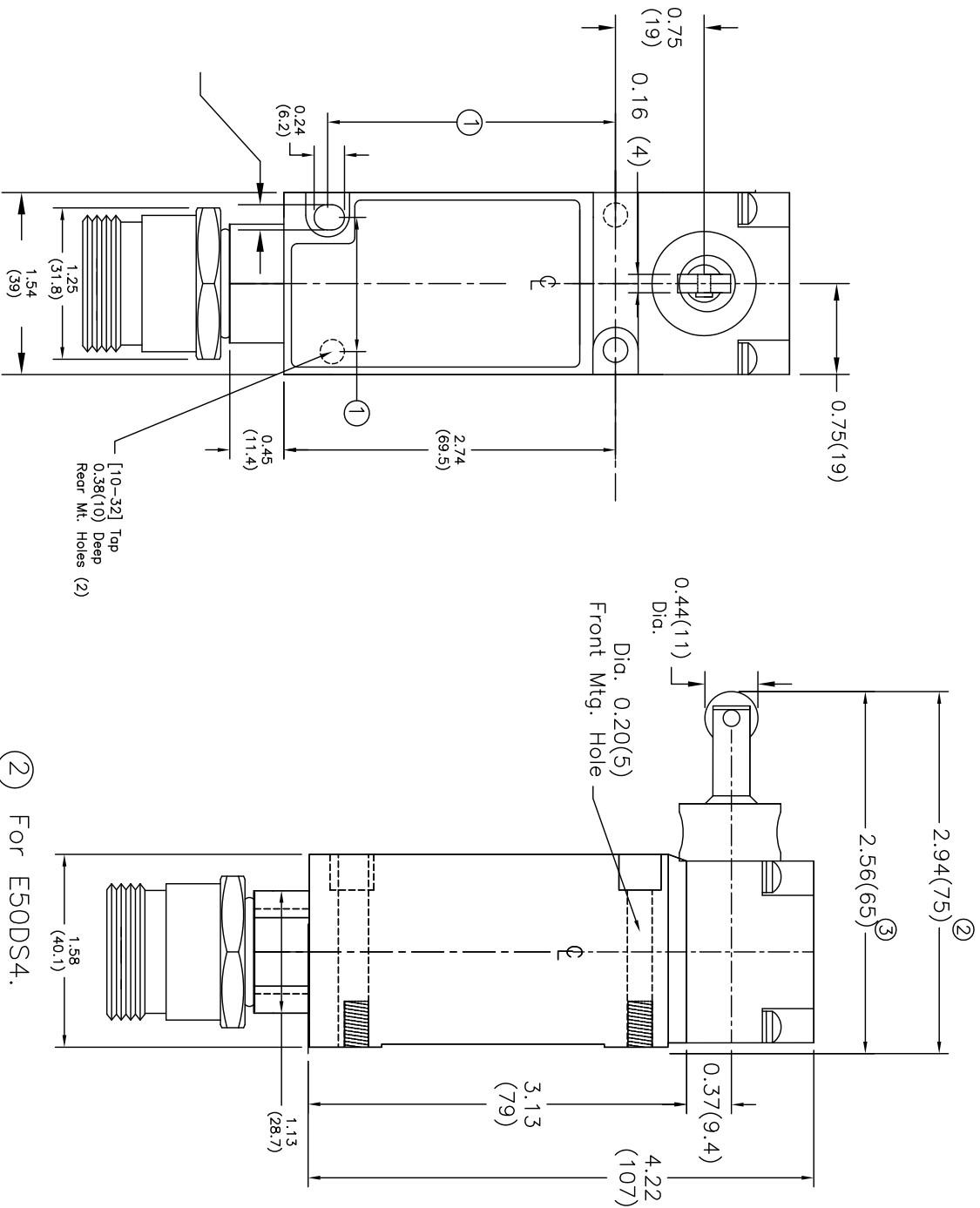
**Models:  
E50BS26PC**



DATE	REV	DESCRIPTION	DWN	ENG	MFG	OTHR	<b>PROPRIETARY NOTICE</b> NOTICE TO ALL PERSONS RECEIVING THIS INFORMATION: THE INFORMATION DISCLOSED HEREIN IS THE PROPERTY OF EATON CORPORATION AND SHALL NOT BE REPRODUCED, DISCLOSED OR USED IN ANY MANNER WITHOUT THE WRITTEN CONSENT OF EATON CORPORATION. ALL RIGHTS RESERVED.		<b>UNLESS OTHERWISE SPECIFIED DIMENSIONS ARE IN INCHES TOLERANCES ARE:</b> DECIMAL: .01 ± .005 ANGULAR: ∠ ± 30' MATL: XXXX ± .001 FINISH:		DWN H. WEYMOUTH DATE 05/05/2007		<b>EATON</b> 6500 HARBOUR HT'S PKWY SUITE 320 WA, 98275 MOULTON (425) 349-3240	
DATE	REV	DESCRIPTION	DWN	ENG	MFG	OTHR	<b>THIRD ANGLE PROJECTION</b> 		SCALE: SHT 1 OF 1		<b>E50 Heavy-Duty Sealed 6P+ Adjustable Side-PushLimit Switch</b> SIZE DRAWING NO. <b>90-26802-050</b> AutoCAD REV <b>01</b>			



**Models:  
E50BS46PC**



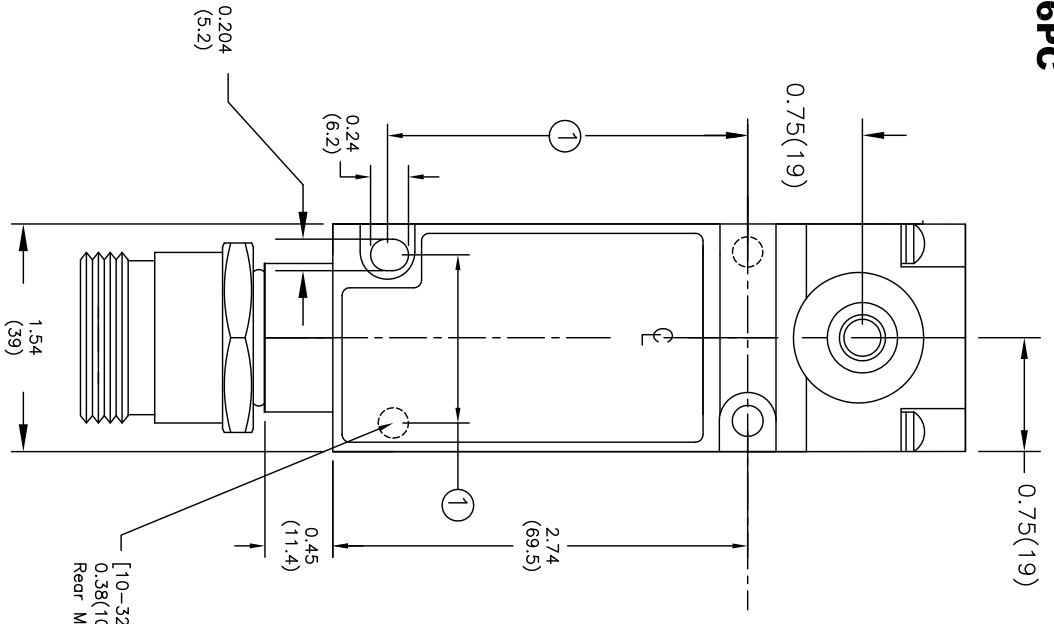
① Can accommodate both U.S. 1.16(29.4) x 2.34(59.5) and DIN, 1.18(30) x 3.26(60), mounting dimensions.

② For E50DS4.

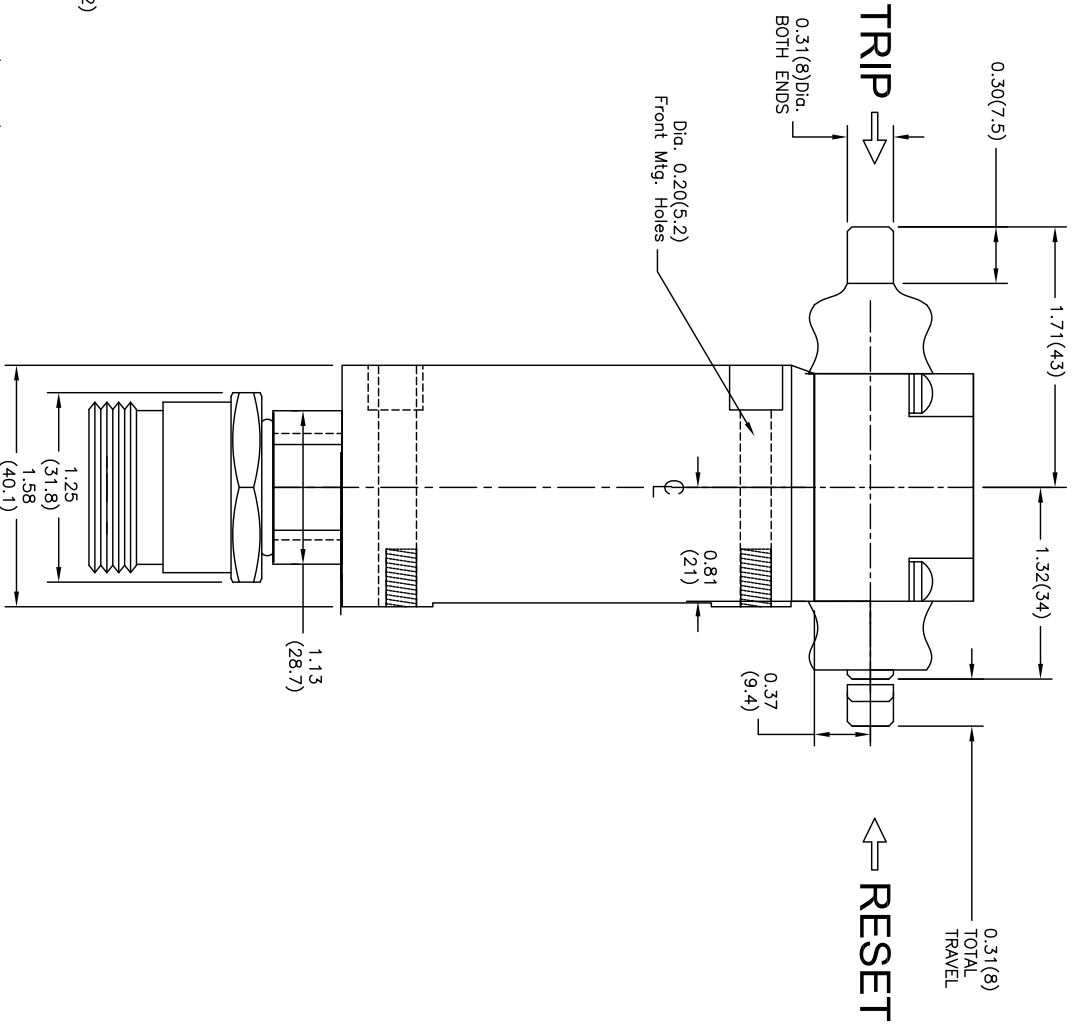
③ For E50DS3.

DATE	REV	DESCRIPTION	DWN	ENG	MFG	OTHR	<b>PROPRIETARY NOTICE</b> NOTICE TO ALL PERSONS RECEIVING THIS INFORMATION: THE INFORMATION DISCLOSED HEREIN IS THE PROPERTY OF EATON CORPORATION AND IS NOT TO BE REPRODUCED, DISCLOSED OR USED IN ANY MANNER WITHOUT THE WRITTEN CONSENT OF EATON CORPORATION. ALL RIGHTS RESERVED.		<b>UNLESS OTHERWISE SPECIFIED DIMENSIONS ARE IN INCHES TOLERANCES ARE:</b> DECIMAL: .01 ANGULAR: $\angle \pm 30'$ FINISH:		DWN	H.	WEYMOUTH	<b>EATON</b> 6500 HARBOUR HT'S PKWY SUITE 320 WA, 98275 MOULTON (425) 349-3240	
..	..	..	..	..	..	-	<b>THIRD ANGLE PROJECTION</b> 		DATE 05/05/2007 CHK ENG MFG OTHR OTHR		SCALE:	SHT	OF	<b>SIZE</b> DRAWING NO. <b>90-26802-052</b> REV <b>01</b>	
..	..	..	..	..	..	-	<b>CRITICAL DIMENSION TO BE INSPECTED</b>		MATL:		1	1	<b>AutoCAD</b>		

**Models:  
E50BH16PC**

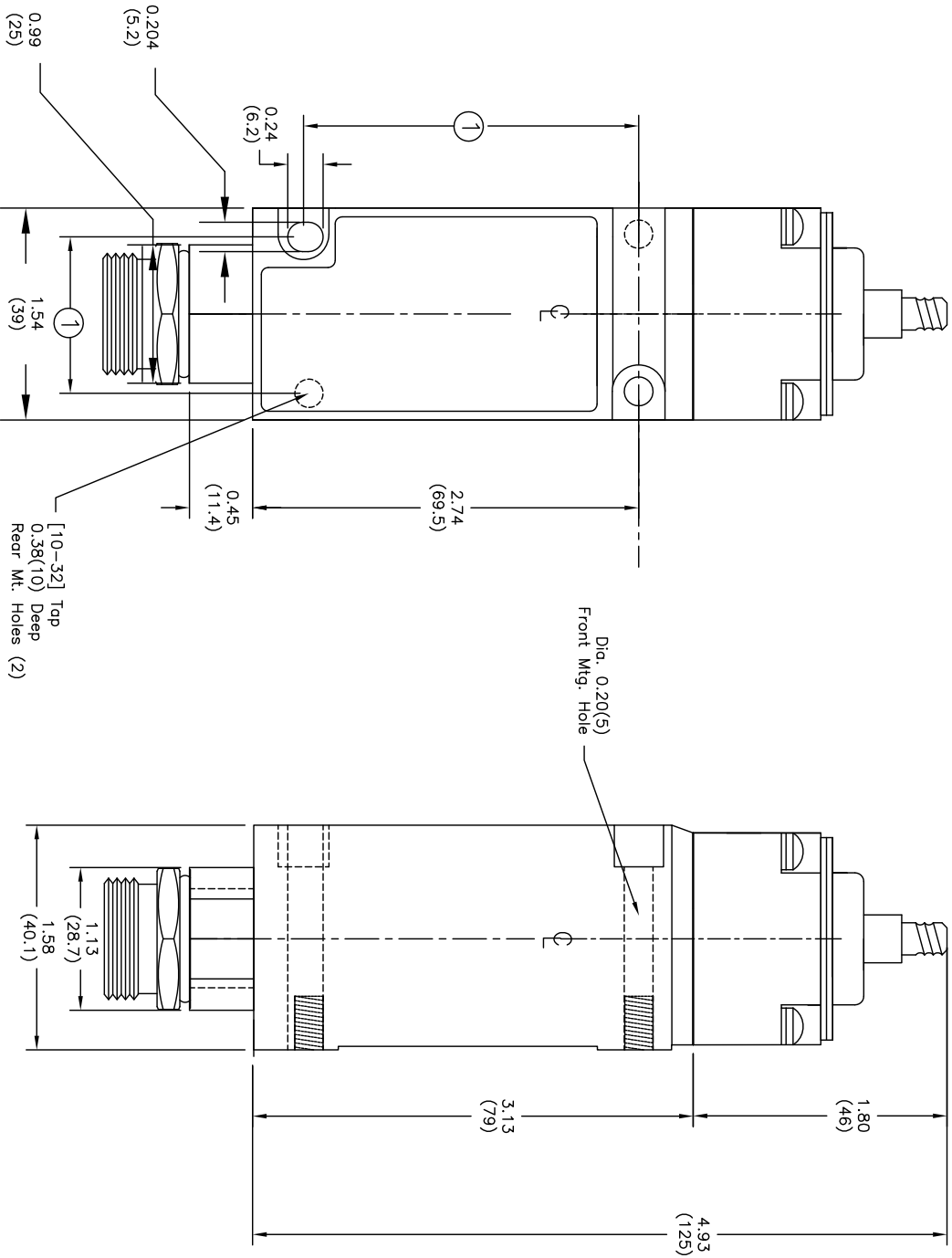


① Can accommodate both U.S. 1.16(29.4) x 2.34(59.5) and DIN, 1.18(30) x 3.26(60), mounting dimensions.



DATE	REV	DESCRIPTION	DWN	ENG	MFG	OTHR	<b>PROPRIETARY NOTICE</b> NOTICE TO ALL PERSONS RECEIVING THIS INFORMATION: THE INFORMATION DISCLOSED HEREIN IS THE PROPERTY OF EATON CORPORATION AND SHALL NOT BE REPRODUCED, DISCLOSED OR USED IN ANY MANNER WITHOUT THE WRITTEN CONSENT OF EATON CORPORATION. ALL RIGHTS RESERVED.		<b>UNLESS OTHERWISE SPECIFIED DIMENSIONS ARE IN INCHES TOLERANCES ARE:</b> DECIMAL: .01 .XX ± .005 .XXX ± .001 ANGULAR: ∠ ± 30' FINISH:		DWN H. WEYMOUTH DATE 05/05/2007 CHK ENG MFG OTHR OTHR SCALE: SHT 1 OF 1		<b>EATON</b> 6500 HARBOUR HT'S PKWY SUITE 320 WA, 98275 MOULTON (425) 349-3240 <b>E50 Heavy-Duty Sealed 6P+ Maintained Limit Switch</b> SIZE DRAWING NO. <b>90-26802-053 01</b> AutoCAD REV	
------	-----	-------------	-----	-----	-----	------	--	--	--	--	--	--	---	--

**Models:**  
**E50BW16PC**  
**E50BW26PC**



① Can accommodate both U.S. 1.16(29.4) x 2.34(59.5) and DIN, 1.18(30) x 3.26(60), mounting dimensions.

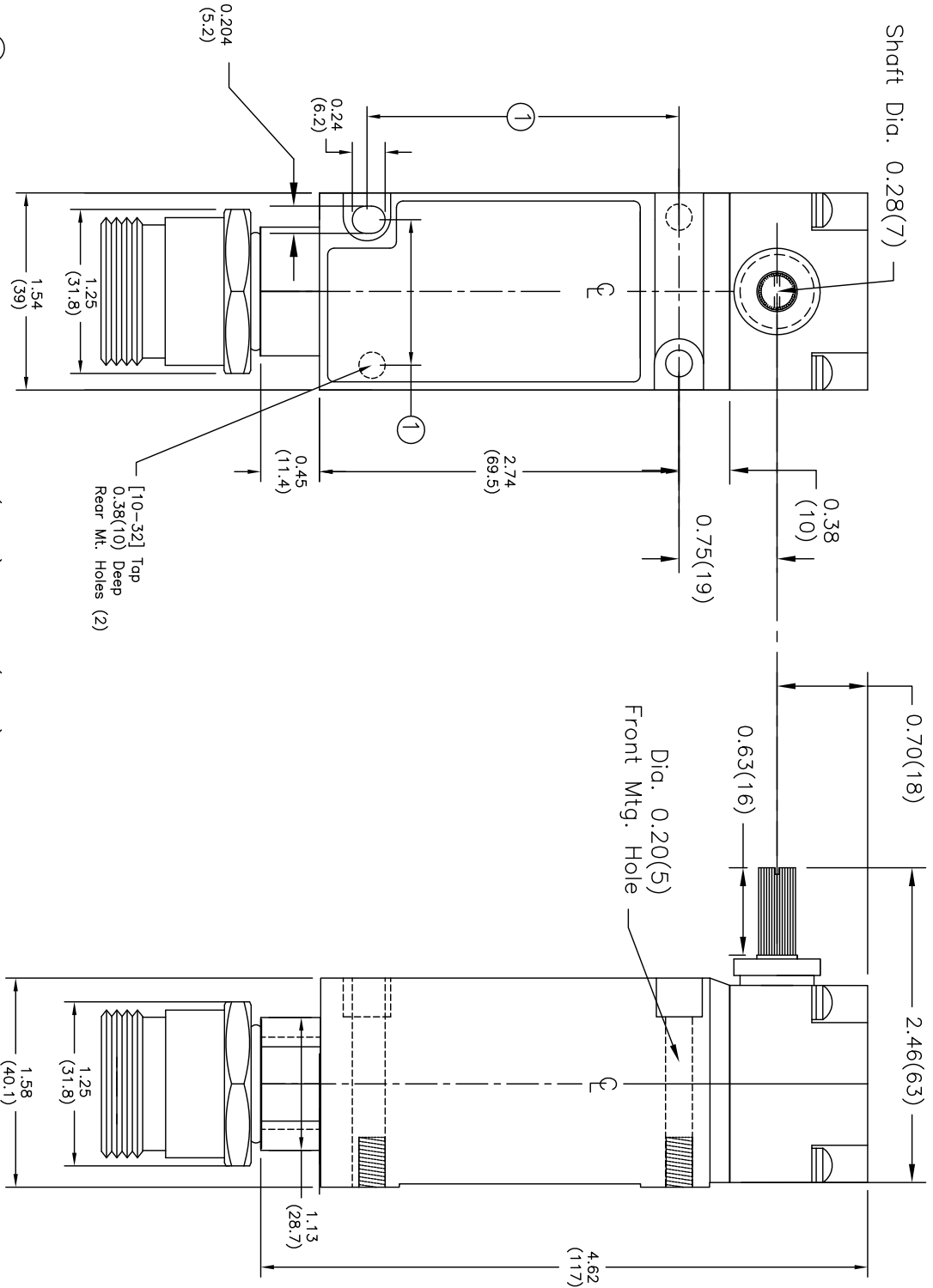
<p><b>PROPRIETARY NOTICE</b>          NOTICE TO ALL PERSONS RECEIVING THIS INFORMATION: THE INFORMATION DISCLOSED HEREIN IS THE PROPERTY OF EATON CORPORATION AND IS NOT TO BE REPRODUCED, DISCLOSED OR USED IN ANY MANNER WITHOUT THE WRITTEN CONSENT OF EATON CORPORATION. ALL RIGHTS RESERVED.</p>		<p><b>UNLESS OTHERWISE SPECIFIED DIMENSIONS ARE IN INCHES TOLERANCES ARE:</b></p> <table border="1"> <tr> <td>DECIMAL:</td> <td>ANGULAR:</td> </tr> <tr> <td>XX ± .01</td> <td>∠ ± 30'</td> </tr> <tr> <td>XXX ± .005</td> <td></td> </tr> <tr> <td>XXXX ± .001</td> <td></td> </tr> </table>		DECIMAL:	ANGULAR:	XX ± .01	∠ ± 30'	XXX ± .005		XXXX ± .001		<p><b>DATE</b> 05/05/2007</p>		<p><b>DATE</b> 05/05/2007</p>	
DECIMAL:	ANGULAR:														
XX ± .01	∠ ± 30'														
XXX ± .005															
XXXX ± .001															
<p><b>THIRD ANGLE PROJECTION</b></p>		<p><b>FINISH:</b></p>		<p><b>SCALE:</b> SHT 1 OF 1</p>											
<p><b>CRITICAL DIMENSION TO BE INSPECTED</b></p>		<p><b>DATE</b> 05/05/2007</p>		<p><b>DATE</b> 05/05/2007</p>											
<p><b>DESCRIPTION</b></p>		<p><b>DWN</b> H. WEYMOUTH</p>		<p><b>SIZE</b> DRAWING NO. <b>A</b></p>											
<p><b>REV</b></p>		<p><b>ENG</b></p>		<p><b>REV</b></p>											
<p><b>DWN</b></p>		<p><b>CHK</b></p>		<p><b>AutoCAD</b></p>											
<p><b>ENG</b></p>		<p><b>MFG</b></p>		<p><b>REV</b></p>											
<p><b>MFG</b></p>		<p><b>OTHER</b></p>		<p><b>REV</b></p>											
<p><b>OTHER</b></p>		<p><b>OTHER</b></p>		<p><b>REV</b></p>											
<p><b>DATE</b></p>		<p><b>DATE</b></p>		<p><b>REV</b></p>											

**EATON**  
 6500 HARBOUR HT'S PKWY  
 SUITE 320 WA, 98275  
 MOULTON (425) 349-3240

**E50 Heavy-Duty Sealed 6P+ Wobble Stick Limit Switch**

**90-26802-054 01**

**Models:**  
**E50BLR16PC**  
**E50BLL16PC**  
**E50BLM16PC**  
**E50BNR16PC**  
**E50BNL16PC**  
**E50BNM16PC**



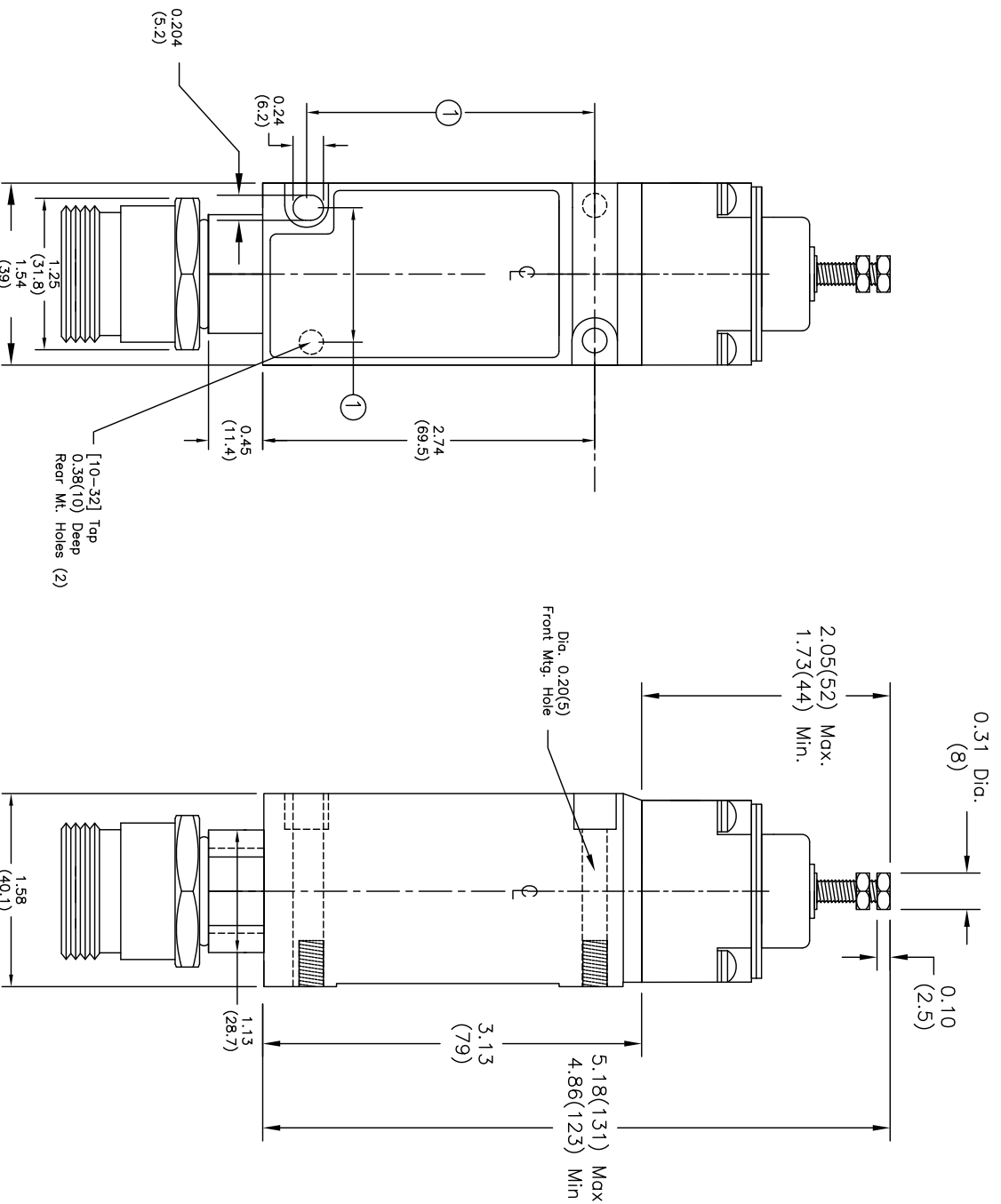
① Can accommodate both U.S. 1.16(29.4) x 2.34(59.5) and DIN, 1.18(30) x 3.26(60), mounting dimensions.

DATE		REV	DESCRIPTION	DWN	ENG	MFG	OTHR	<b>PROPRIETARY NOTICE</b> NOTICE TO ALL PERSONS RECEIVING THIS INFORMATION: THE INFORMATION DISCLOSED HEREIN IS THE CONFIDENTIAL INFORMATION OF EATON CORPORATION AND IS NOT TO BE REPRODUCED, DISCLOSED OR USED IN ANY MANNER WITHOUT THE WRITTEN CONSENT OF EATON CORPORATION. ALL RIGHTS RESERVED.		<b>UNLESS OTHERWISE SPECIFIED DIMENSIONS ARE IN INCHES TOLERANCES ARE:</b> DECIMAL: .01 .XXX ± .005 .XXXX ± .001 ANGULAR: ∠ ± 30' FINISH:		DWN H. WEYMOUTH DATE 05/05/2007 CHK ENG MFG OTHR OTHR SCALE: SHT 1 OF 1		<b>EATON</b> 6500 HARBOUR HT'S PKWY SUITE 320 WA 98275 MULTN 425 349-5240		<b>E50 Heavy-Duty Sealed 6P+ Side Rotary Limit Switch</b> SIZE DRAWING NO. <b>A 90-26802-055 01</b> AutoCAD REV	
------	--	-----	-------------	-----	-----	-----	------	--	--	--	--	--	--	--	--	---	--





**Models:  
E50BLT26PC  
E50BNT26PC**

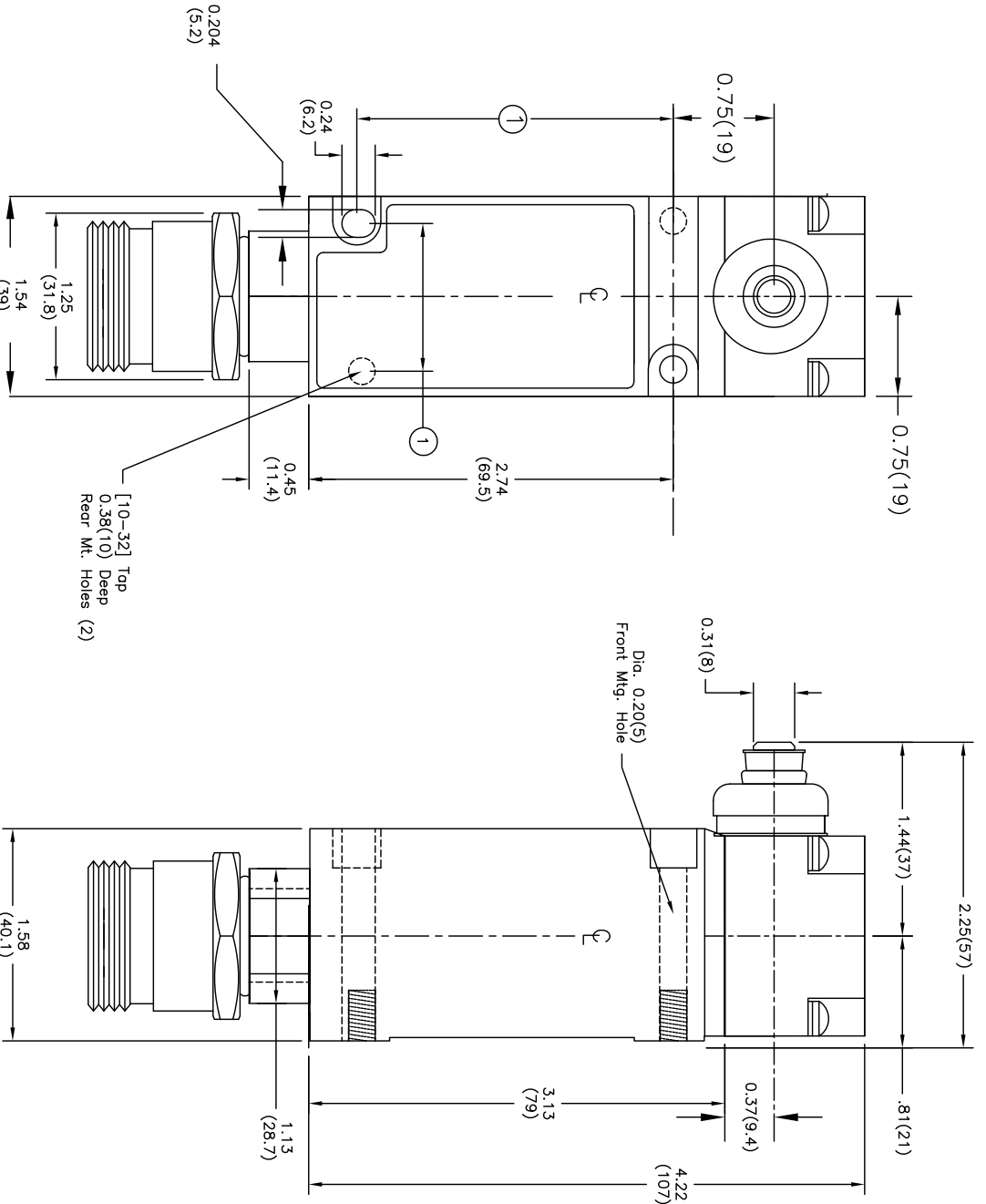


① Can accommodate both U.S. 1.16(29.4) x 2.34(59.5) and DIN, 1.18(30) x 3.26(60), mounting dimensions.

DATE	REV	DESCRIPTION	DWN	ENG	MFG	OTHR	<b>PROPRIETARY NOTICE</b> NOTICE TO ALL PERSONS RECEIVING THIS INFORMATION: THE INFORMATION DISCLOSED HEREIN IS THE PROPERTY OF EATON CORPORATION AND IS NOT TO BE REPRODUCED, DISCLOSED OR USED IN ANY MANNER WITHOUT THE WRITTEN CONSENT OF EATON CORPORATION. ALL RIGHTS RESERVED.		<b>UNLESS OTHERWISE SPECIFIED DIMENSIONS ARE IN INCHES TOLERANCES ARE:</b> DECIMAL: .01 ± .005 ANGULAR: ∠ ± 30' FINISH:		DWN H. WEYMOUTH DATE 05/05/2007		<b>EATON</b> 6500 HARBOUR HT'S PKWY SUITE 320 WA, 98275 MOULTON (425) 349-3240	
..	..	-	..	..	..	-	<b>THIRD ANGLE PROJECTION</b> 		MATL:		<b>90-2602-057</b>		<b>Limit Switch</b>	
..	..	-	..	..	..	-	CRITICAL DIMENSION TO BE INSPECTED		SCALE: SHT 1 OF 1		SIZE DRAWING NO.		AutoCAD REV	
..	..	-	..	..	..	-	THIRD ANGLE PROJECTION		SCALE: SHT 1 OF 1		<b>90-2602-057</b>		<b>01</b>	



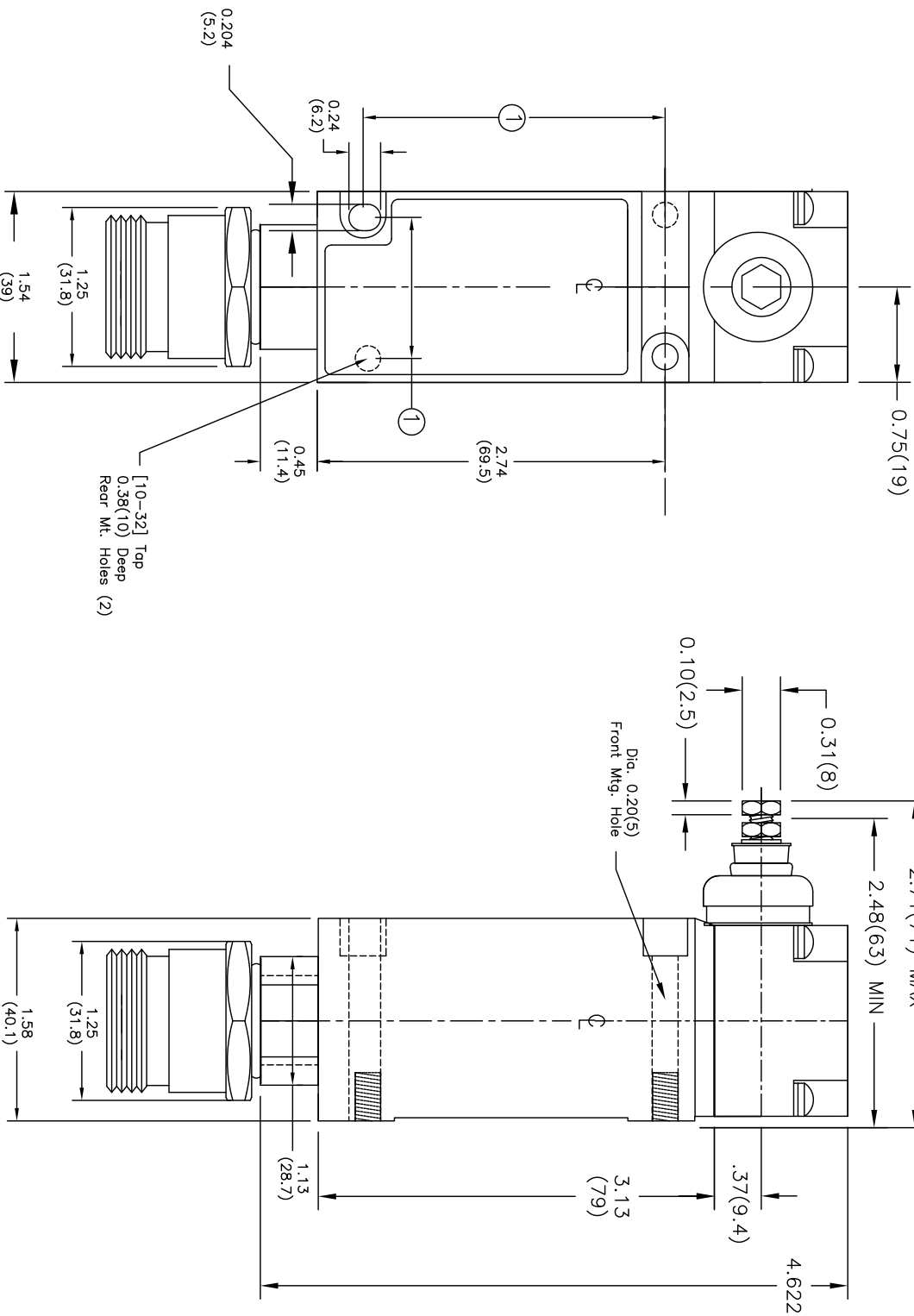
**Models:  
E50BLS16PC  
E50BNS16PC**



① Can accommodate both U.S. 1.16(29.4) x 2.34(59.5) and DIN, 1.18(30) x 3.26(60), mounting dimensions.

DATE	REV	DESCRIPTION	DWN	ENG	MFG	OTHER	<b>PROPRIETARY NOTICE</b> NOTICE TO ALL PERSONS RECEIVING THIS INFORMATION: THE INFORMATION DISCLOSED HEREIN IS THE PROPERTY OF EATON CORPORATION AND SHALL NOT BE REPRODUCED, DISCLOSED OR USED IN ANY MANNER WITHOUT THE WRITTEN CONSENT OF EATON CORPORATION. ALL RIGHTS RESERVED.		<b>UNLESS OTHERWISE SPECIFIED DIMENSIONS ARE IN INCHES TOLERANCES ARE:</b> DECIMAL: .01 ± .005 ANGULAR: ∠ ± 30' MATL:		DWN	H.	WEYMOUTH	<b>EATON</b> 6500 HARBOUR HT'S PKWY SUITE 320 WA, 98275 (425) 349-3240	
..	..	..	..	..	..	..	<b>THIRD ANGLE PROJECTION</b> 		FINISH:	SCALE:	SHT	OF	<b>E50 Heavy-Duty Sealed 6P+ Side-Push Limit Switch</b> SIZE DRAWING NO. <b>90-26802-059</b> REV <b>01</b>		
..	..	..	..	..	..	..	<input checked="" type="checkbox"/> = CRITICAL DIMENSION TO BE INSPECTED		..	..	1	1	AutoCAD REV		

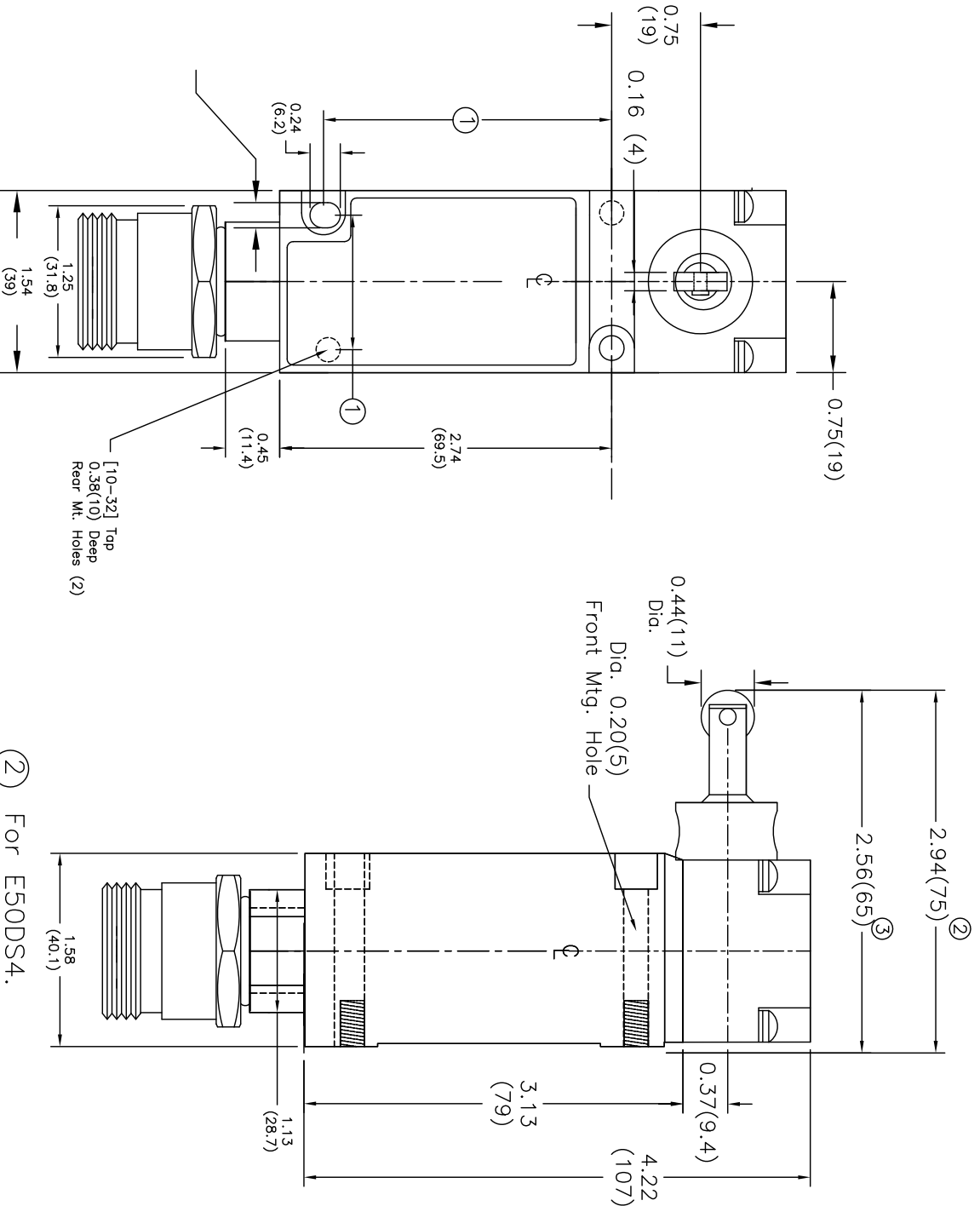
**Models:  
E50BLS26PC  
E50BNS26PC**



DATE	REV	DESCRIPTION	DWN	ENG	MFG	OTHR	<b>PROPRIETARY NOTICE</b> NOTICE TO ALL PERSONS RECEIVING THIS INFORMATION: THE INFORMATION DISCLOSED HEREIN IS THE PROPERTY OF EATON CORPORATION AND SHALL NOT BE REPRODUCED, DISCLOSED OR USED IN ANY MANNER WITHOUT THE WRITTEN CONSENT OF EATON CORPORATION. ALL RIGHTS RESERVED.		UNLESS OTHERWISE SPECIFIED DIMENSIONS ARE IN INCHES TOLERANCES ARE: DECIMAL: .01 ± .005 ANGULAR: ∠ ± 30' MATL: XXXX ± .001 FINISH:		DWN	H.	W.	<b>EATON</b> 6500 HARBOUR HT'S PKWY SUITE 320 WA, 98275 MOULTON (425) 349-3240		<b>E50 Heavy-Duty Sealed 6P+ Adjustable Side-PushLimit Switch</b> SIZE DRAWING NO. <b>90-26802-060</b> REV <b>01</b>
..	..	..	..	..	..	..	<b>THIRD ANGLE PROJECTION</b> 		CRITICAL DIMENSION TO BE INSPECTED		..	..	..	..	AutoCAD REV	



**Models:  
E50BLS46PC  
E50BNS46PC**



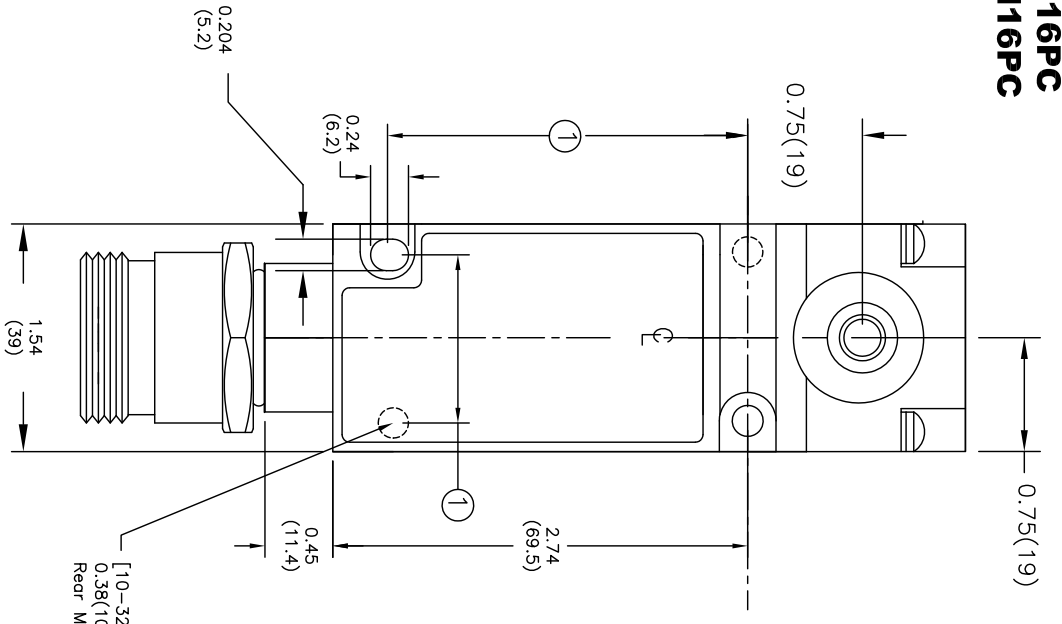
① Can accommodate both U.S. 1.16(29.4) x 2.34(59.5) and DIN, 1.18(30) x 3.26(60), mounting dimensions.

② For E50DS4.

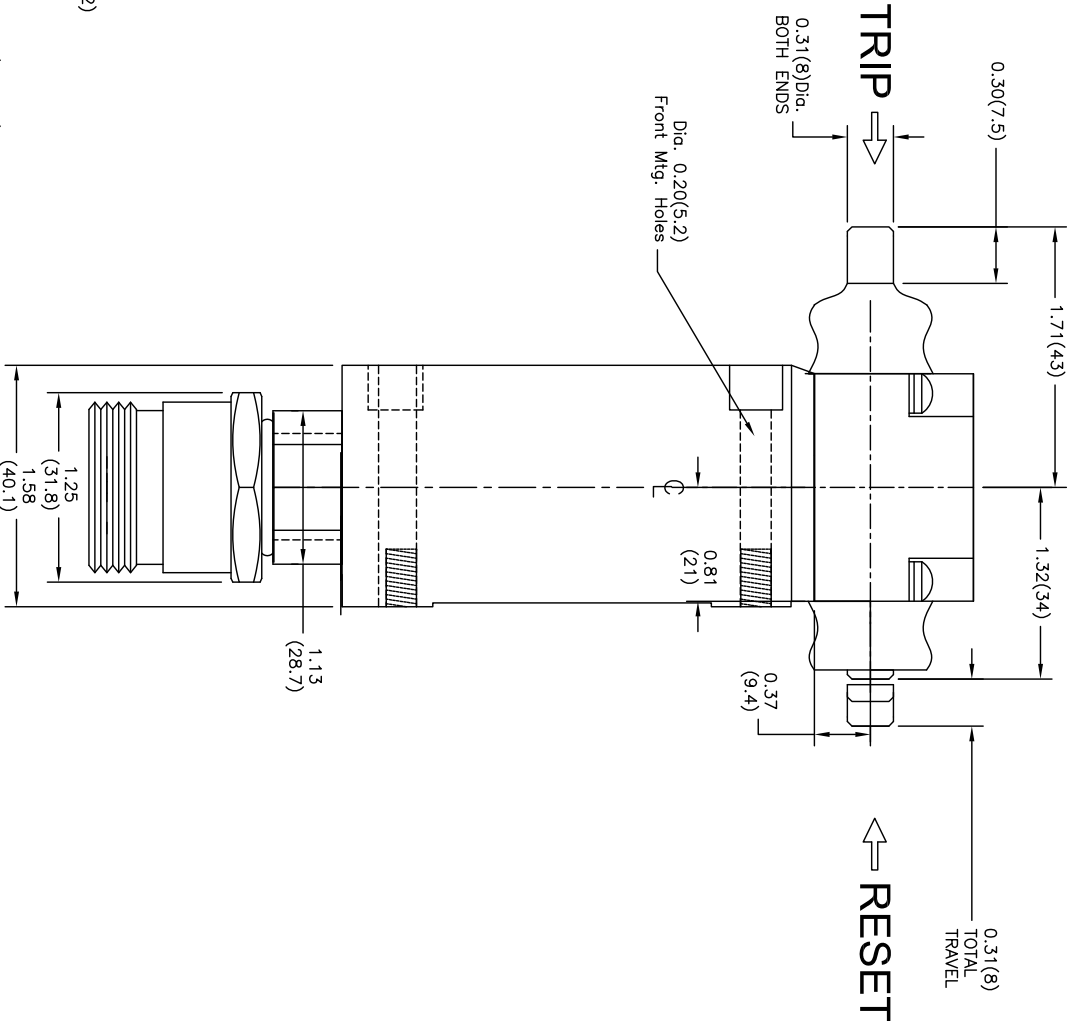
③ For E50DS3.

<p><b>PROPRIETARY NOTICE</b> NOTICE TO ALL PERSONS RECEIVING THIS INFORMATION: THE INFORMATION DISCLOSED HEREIN IS CONFIDENTIAL AND NOT TO BE REPRODUCED, DISCLOSED OR USED IN ANY MANNER WITHOUT THE WRITTEN CONSENT OF EATON CORPORATION. ALL RIGHTS RESERVED.</p>		<p>UNLESS OTHERWISE SPECIFIED DIMENSIONS ARE IN INCHES TOLERANCES ARE: DECIMAL: ± .01 ANGULAR: ∠ ± 30'</p>		<p>DWN H. WEYMOUTH DATE 05/05/2007</p>		<p><b>EATON</b> 6500 HARBOUR HT'S PKWY SUITE 320 WA, 98275 MOULTON (425) 349-3240</p>	
<p>THIRD ANGLE PROJECTION</p>		<p>FINISH:</p>		<p>SCALE: SHT 1 OF 1</p>		<p>SIZE DRAWING NO. <b>A</b></p>	
<p>CRITICAL DIMENSION TO BE INSPECTED</p>		<p>MATL:</p>		<p>OTHER</p>		<p>AutoCAD REV</p>	
<p>DATE REV</p>		<p>DESCRIPTION</p>		<p>DWN ENG MFG OTHER</p>		<p>90-26802-062 01</p>	

**Models:  
E50BLH16PC  
E50BNH16PC**

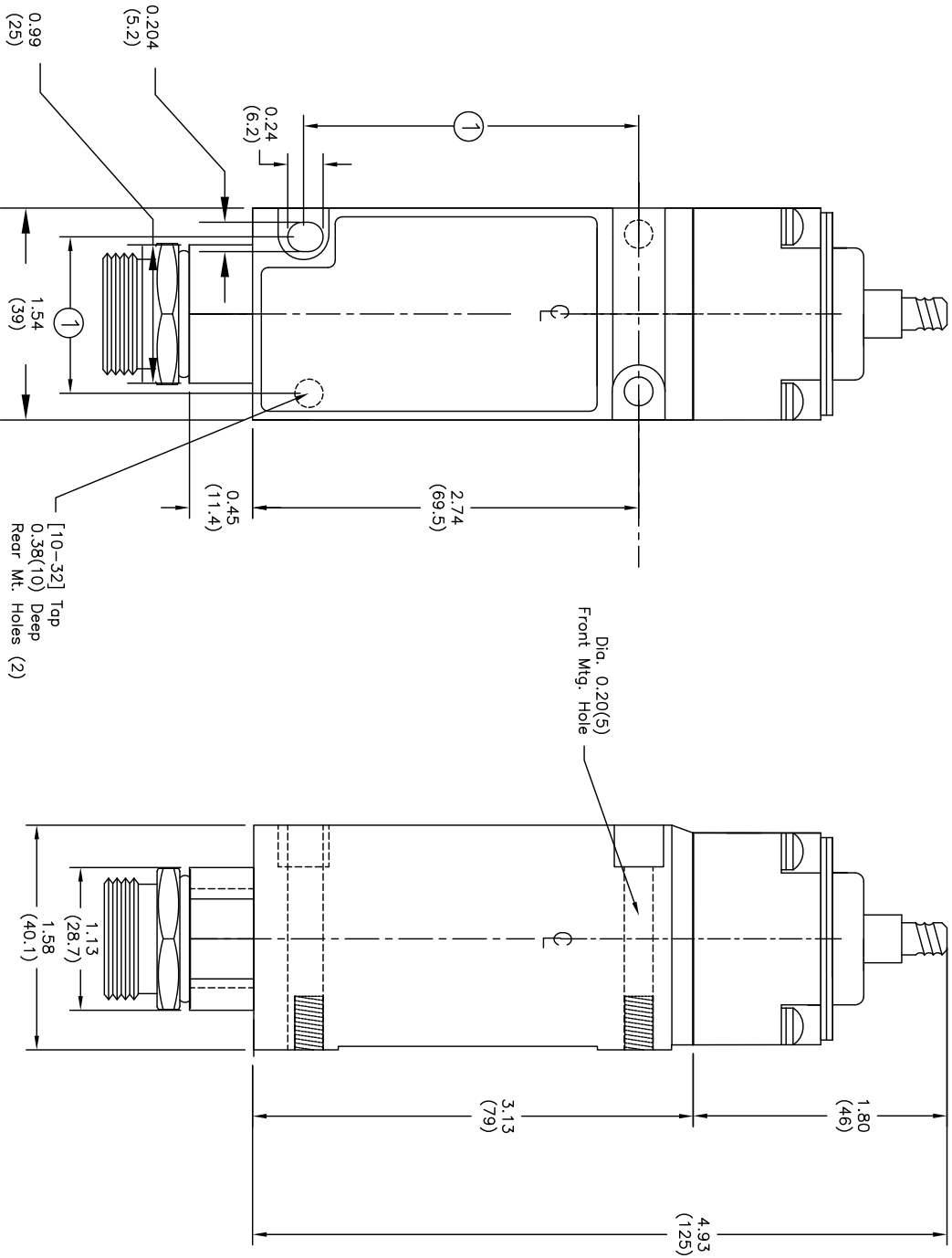


① Can accommodate both U.S. 1.16(29.4) x 2.34(59.5) and DIN, 1.18(30) x 3.26(60), mounting dimensions.



DATE	REV	DESCRIPTION	DWN	ENG	MFG	OTHR	<b>PROPRIETARY NOTICE</b> NOTICE TO ALL PERSONS RECEIVING THIS INFORMATION: THE INFORMATION DISCLOSED HEREIN IS THE PROPERTY OF EATON CORPORATION AND SHALL NOT BE REPRODUCED, DISCLOSED OR USED IN ANY MANNER WITHOUT THE WRITTEN CONSENT OF EATON CORPORATION. ALL RIGHTS RESERVED.		<b>UNLESS OTHERWISE SPECIFIED DIMENSIONS ARE IN INCHES TOLERANCES ARE:</b> DECIMAL: .01 .XX ± .01 .XXX ± .005 .XXXX ± .001 ANGULAR: ∠ ± 30' FINISH:		DWN H. WEYMOUTH DATE 05/05/2007 CHK ENG MFG OTHR OTHR SCALE: SHT 1 OF 1		<b>EATON</b> 6500 HARBOUR HT'S PKWY SUITE 320 WA, 98275 MOULTON (425) 349-3240 <b>E50 Heavy-Duty Sealed 6P+ Maintained Limit Switch</b> SIZE DRAWING NO. <b>90-26802-063 01</b> AutoCAD REV	
------	-----	-------------	-----	-----	-----	------	--	--	---	--	--	--	---	--

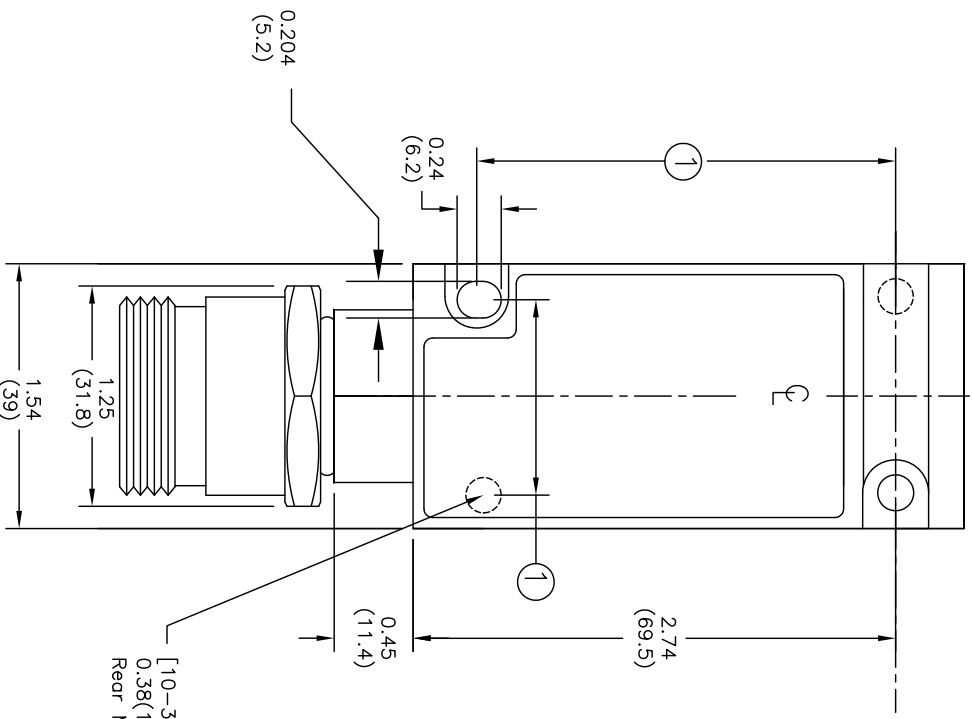
**Models:**  
**E50BLW16PC**  
**E50BNW16PC**  
**E50BLW26PC**  
**E50BNW26PC**



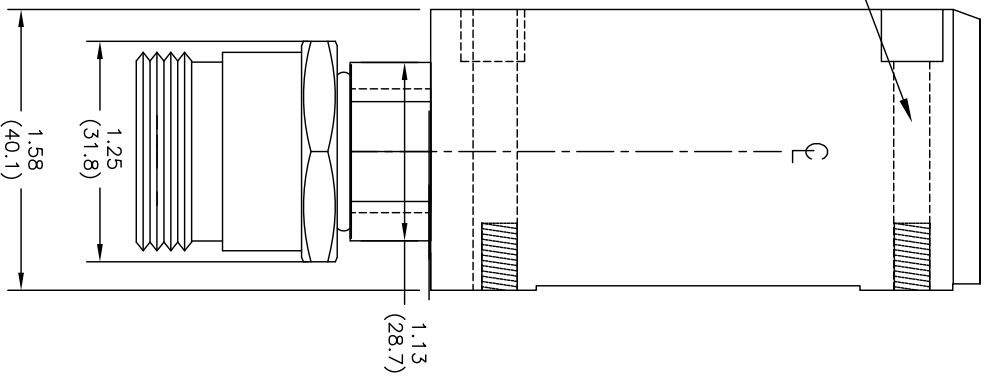
DATE	REV	DESCRIPTION	DWN	ENG	MFG	OTHR	<b>PROPRIETARY NOTICE</b> NOTICE TO ALL PERSONS RECEIVING THIS INFORMATION: THE INFORMATION DISCLOSED HEREIN IS THE PROPERTY OF EATON CORPORATION AND IS NOT TO BE REPRODUCED, DISCLOSED OR USED IN ANY MANNER WITHOUT THE WRITTEN CONSENT OF EATON CORPORATION. ALL RIGHTS RESERVED.		<b>UNLESS OTHERWISE SPECIFIED DIMENSIONS ARE IN INCHES TOLERANCES ARE:</b> DECIMAL: .01 .XX ± .005 .XXX ± .001 .XXXX ± .001 ANGULAR: ∠ ± 30' FINISH:		DWN H. WEYMOUTH DATE 05/05/2007		<b>EATON</b> 6500 HARBOUR HT'S PKWY SUITE 320 WA, 98275 MOULTON (425) 349-3240		<b>E50 Heavy-Duty Sealed 6P+ Wobble Stick Limit Switch</b> SIZE DRAWING NO. <b>90-26802-064</b> REV <b>01</b>	
..	..	-	..	..	..	-	THIRD ANGLE PROJECTION 		MATL:		SCALE: SHT 1 OF 1		AutoCAD			
..	..	-	..	..	..	-	<input checked="" type="checkbox"/> CRITICAL DIMENSION TO BE INSPECTED		OTHER:		OTHER:		REV			



**Models:  
E50SB6PC**



① Can accommodate both U.S. 1.16(29.4) x 2.34(59.5) and DIN, 1.18(30) x 3.26(60), mounting dimensions.

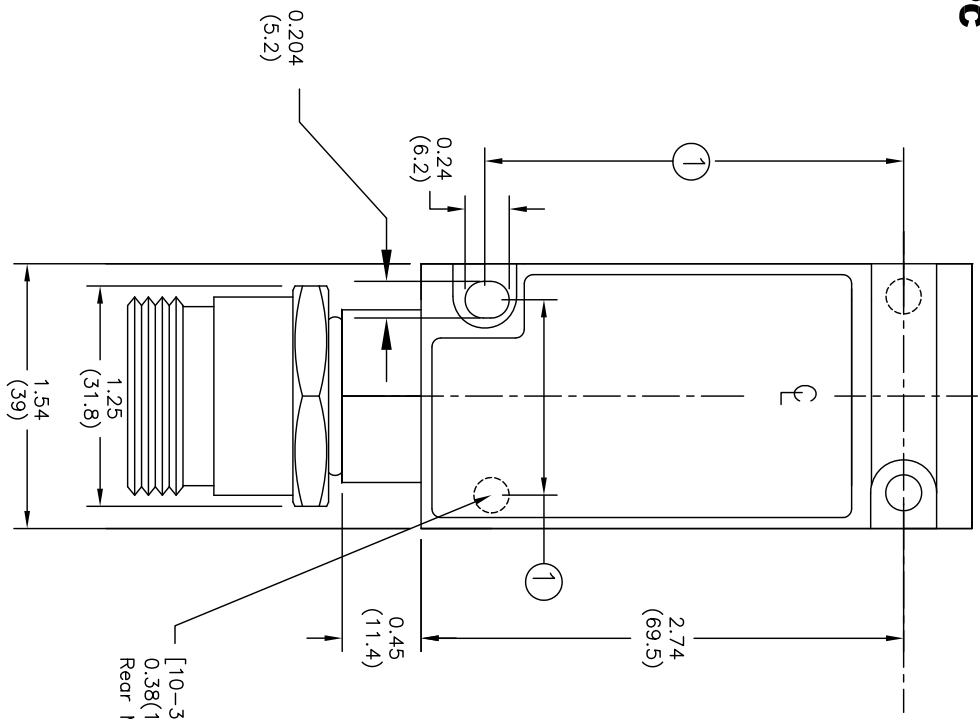


DATE	REV	DESCRIPTION	DWN	ENG	MFG	OTHR	<b>PROPRIETARY NOTICE</b> NOTICE TO ALL PERSONS RECEIVING THIS INFORMATION: THE INFORMATION DISCLOSED HEREIN IS THE PROPERTY OF EATON CORPORATION AND IS NOT TO BE REPRODUCED, DISCLOSED OR USED IN ANY MANNER WITHOUT THE WRITTEN CONSENT OF EATON CORPORATION. COPYRIGHT © EATON CORPORATION. ALL RIGHTS RESERVED.		UNLESS OTHERWISE SPECIFIED DIMENSIONS ARE IN INCHES TOLERANCES ARE: DECIMAL: .01 .XX ± .005 .XXX ± .001 ANGULAR: ∠ ± 30' FINISH:		DWN H. WEYMOUTH DATE 05/05/2007 CHK ENG MFG OTHR OTHR	SCALE: SHT 1 OF 1	SIZE DRAWING NO. <b>A 90-26802-065 01</b> AutoCAD REV
..	..	-	..	..	..	-	<b>THIRD ANGLE PROJECTION</b> 		CRITICAL DIMENSION TO BE INSPECTED				

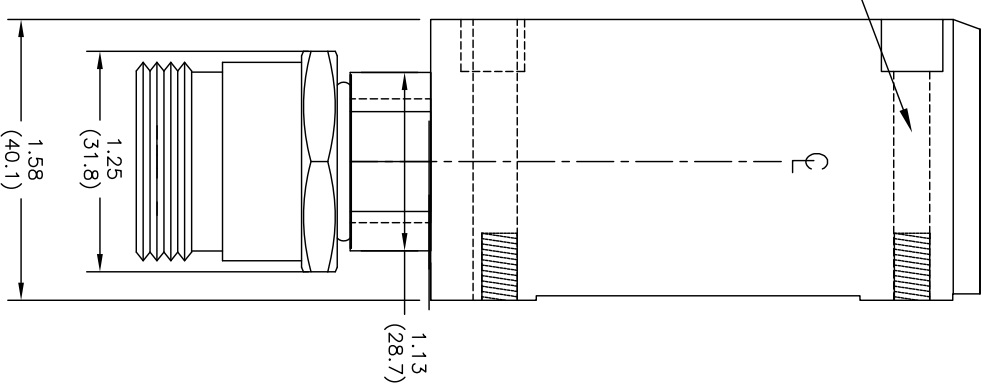
**EATON**  
 6500 HARBOUR HT'S PKWY  
 SUITE 320 WA, 98275  
 MOULTON (425) 349-3240

**E50 Heavy-Duty Sealed 6P Switch Body 9 Pin Connector**

**Models:  
E50SBL6PC  
E50SBN6PC**



Diag. 0.20(5)  
Front Mtg. Hole



① Can accommodate both U.S. 1.16(29.4) x 2.34(59.5) and DIN, 1.18(30) x 3.26(60), mounting dimensions.

DATE	REV	DESCRIPTION	DWN	ENG	MFG	OTHR	<b>PROPRIETARY NOTICE</b> NOTICE TO ALL PERSONS RECEIVING THIS INFORMATION: THE INFORMATION DISCLOSED HEREIN IS THE PROPERTY OF EATON CORPORATION AND IS NOT TO BE REPRODUCED, DISCLOSED OR USED IN ANY MANNER WITHOUT THE WRITTEN CONSENT OF EATON CORPORATION. COPYRIGHT © EATON CORPORATION. ALL RIGHTS RESERVED.		UNLESS OTHERWISE SPECIFIED DIMENSIONS ARE IN INCHES TOLERANCES ARE: DECIMAL: .01 .XX ± .005 .XXX ± .001 ANGULAR: ∠ ± 30' FINISH:		DWN H. WEYMOUTH DATE 05/05/2007 CHK ENG MFG OTHR OTHR	SCALE: SHT 1 OF 1	SIZE DRAWING NO. <b>A 90-26802-066 01</b> AutoCAD REV
..	..	-	..	..	..	-	<b>THIRD ANGLE PROJECTION</b> 		CRITICAL DIMENSION TO BE INSPECTED				

**EATON**  
 6500 HARBOUR HT'S PKWY  
 SUITE 320 WA, 98275  
 MOULTON (425) 349-3240

**E50 Heavy-Duty Sealed 6P Switch Body 9 Pin Connector**