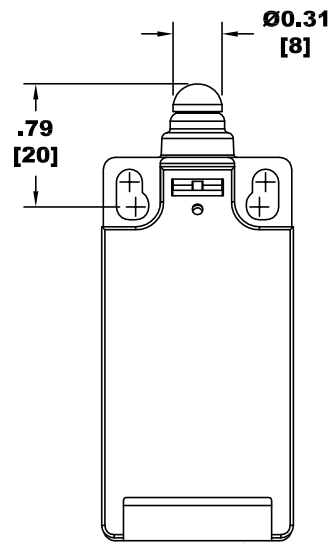
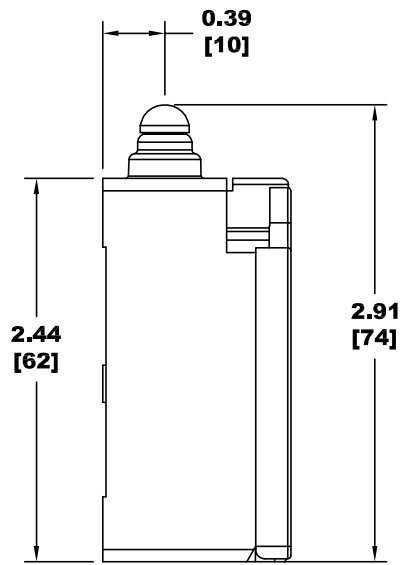
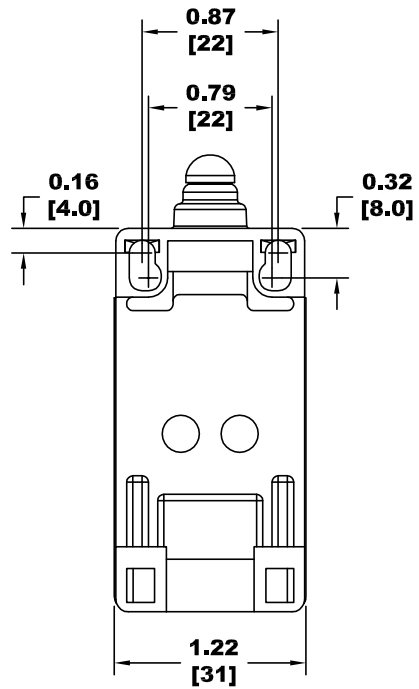
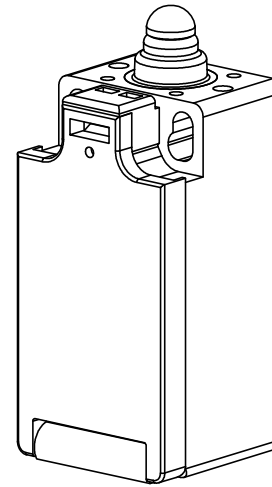
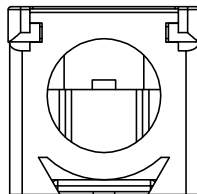


| |
|---|
| E49 Series Mini DIN Limit Switches |
| E49S71 |
| E49S73 |
| E49S74 |

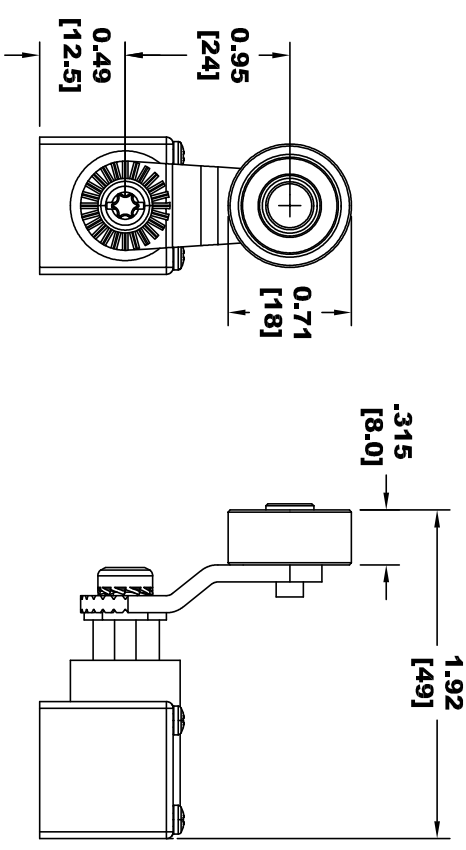
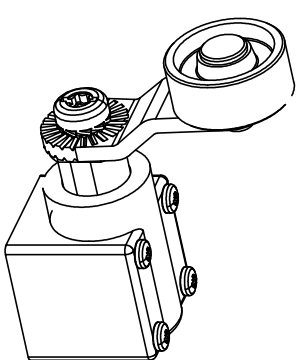


1/2" NPT CONDUIT THREADS



| | | | | | |
|---|---|---|--|--|--|
| UNLESS OTHERWISE SPECIFIED DIMENSIONS IN INCHES X.X ±0.1 X.XX ±0.01 X.XXX ±0.005 X' ±1.0 X.X' ±0.1 | DRAFTER/DESIGNER H. WEYMOUTH | | DATE (YYYY/MM/DD) 2017/09/01 | | EATON CORPORATION - CONFIDENTIAL AND PROPRIETARY NOTICE TO PERSONS RECEIVING THIS DOCUMENT AND/OR TECHNICAL INFORMATION THIS DOCUMENT, INCLUDING THE DRAWING AND INFORMATION CONTAINED THEREON, IS CONFIDENTIAL AND IS THE EXCLUSIVE PROPERTY OF EATON CORPORATION, AND IS MERELY ON LOAN AND SUBJECT TO RECALL BY EATON AT ANY TIME. BY TAKING POSSESSION OF THIS DOCUMENT, THE RECIPIENT ACKNOWLEDGES AND AGREES THAT THIS DOCUMENT CANNOT BE USED IN ANY MANNER ADVERSE TO THE INTERESTS OF EATON AND THAT NO PORTION OF THIS DOCUMENT MAY BE COPIED OR OTHERWISE REPRODUCED WITHOUT THE PRIOR WRITTEN CONSENT OF EATON. IN THE CASE OF CONFLICTING CONTRACTUAL PROVISIONS, THIS NOTICE SHALL GOVERN THE STATUS OF THIS DOCUMENT. © 2013 Eaton Corporation, All Rights Reserved |
| | ENGINEERING APPROVED H. WEYMOUTH | | MANUFACTURING M. HERNANDEZ | | |
| | REVISION DESCRIPTION | | ECO # ECO-126837 | | |
| | DRAWING IN ACCORDANCE WITH ASME Y14.5M-1994 | | | | |
| (X.XX±XX) SYMBOLS PER (ST) 468-1143 | | INITIAL RELEASE --- --- --- --- --- --- --- | | | TITLE E49 Series Mini DIN Limit Switches |
| ENG/MFG REFERENCE --- --- --- | | SIZE B | | | DRAWING NUMBER 90-30088-001 |
| | | REVISION 01 | | | |
| | | CHANGE RESPONSIBILITY SWB-SE-GLOBAL | | | |
| | | EATON | | | |
| | | CLASS CODE NA | | | SCALE 1:1 |
| | | SHEET 1 OF 1 | | | |

E49 Series Mini DIN
Limit Switches
E49AP7



4 3 2 1

A B C D

| | | | | | |
|---|--------|----------------------|--|---------------------|--|
| UNLESS OTHERWISE SPECIFIED DIMENSIONS IN INCHES | | DRAFTER/DESIGNER | | DATE (YYYY/MM/DD) | |
| X.X | ±0.1 | H. WEYMOUTH | | 2017/09/01 | |
| X.XX | ±0.01 | ENGINEERING APPROVED | | MANUFACTURING | |
| X.XXX | ±0.005 | H. WEYMOUTH | | M. HERNANDEZ | |
| X" | ±1.0 | REVISION DESCRIPTION | | ECO # | |
| X.X" | ±0.1 | | | ECO-126837 | |

| | | | |
|--|-----|-----------------|-----|
| DRAWING IN ACCORDANCE WITH ASME Y14.5M-1994 | | INITIAL RELEASE | |
| --- | --- | --- | --- |
| (X.XXX) SYMBOLS PER (ST) 468-1143 | | | |
| ENG/MFG REFERENCE | | | |

EATON CORPORATION - CONFIDENTIAL AND PROPRIETARY

NOTICE TO PERSONS RECEIVING THIS DOCUMENT AND/OR TECHNICAL INFORMATION
THIS DOCUMENT, INCLUDING THE DRAWING AND INFORMATION CONTAINED THEREON, IS CONFIDENTIAL AND IS THE EXCLUSIVE PROPERTY OF EATON CORPORATION, AND IS MERELY ON LOAN AND SUBJECT TO RECALL BY EATON AT ANY TIME. BY TAKING POSSESSION OF THIS DOCUMENT, THE RECIPIENT ACKNOWLEDGES AND AGREES THAT THIS DOCUMENT CANNOT BE USED IN ANY MANNER ADVERSE TO THE INTERESTS OF EATON AND THAT NO PORTION OF THIS DOCUMENT MAY BE COPIED OR OTHERWISE REPRODUCED WITHOUT THE PRIOR WRITTEN CONSENT OF EATON. IN THE CASE OF CONFLICTING CONTRACTUAL PROVISIONS, THIS NOTICE SHALL GOVERN THE STATUS OF THIS DOCUMENT.

© 2013 Eaton Corporation. All Rights Reserved

| | | | |
|---|--|--|--|
| TITLE | | EATON CORPORATION - CONFIDENTIAL AND PROPRIETARY | |
| E49 Series Mini DIN Limit Switches | | | |

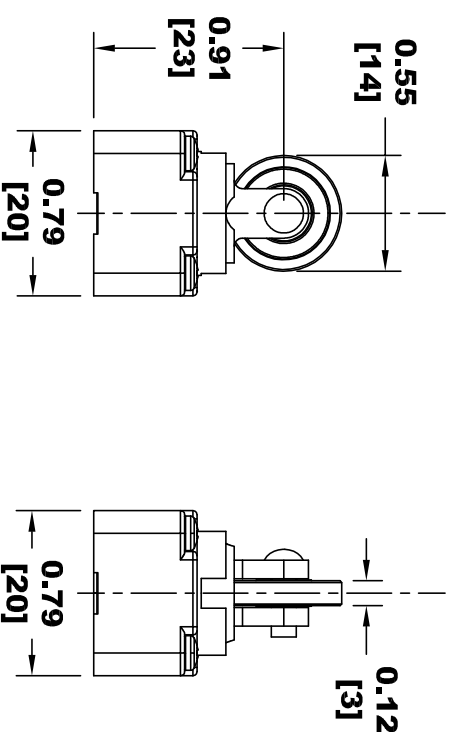
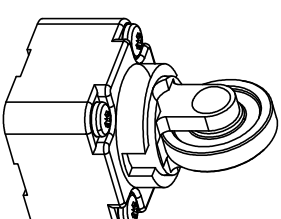
| | | |
|----------|---------------------|-----------|
| SIZE | DRAWING NUMBER | REVISION |
| B | 90-30088-002 | 01 |

| | | |
|-----------------------|-------|--------|
| CHANGE RESPONSIBILITY | | |
| SWB-SE-GLOBAL | | |
| CLASS CODE | SCALE | SHEET |
| NA | 1:1 | 1 OF 1 |



4 3 2 1

E49 Series Mini DIN
Limit Switches
E49CP7



| | | | | | |
|----------------------------|--------|----------------------|--|---------------------|--|
| UNLESS OTHERWISE SPECIFIED | | DRAFTER/DESIGNER | | DATE (YYYY/MM/DD) | |
| DIMENSIONS IN INCHES | | H. WEYMOUTH | | 2017/09/01 | |
| X.X | ±0.1 | ENGINEERING APPROVED | | MANUFACTURING | |
| X.XX | ±0.01 | H. WEYMOUTH | | M. HERNANDEZ | |
| X.XXX | ±0.005 | REVISION DESCRIPTION | | ECO # | |
| X"X" | ±0.1 | | | ECO-126837 | |

DRAWING IN ACCORDANCE WITH
ASME Y14.5M-1994

INITIAL RELEASE

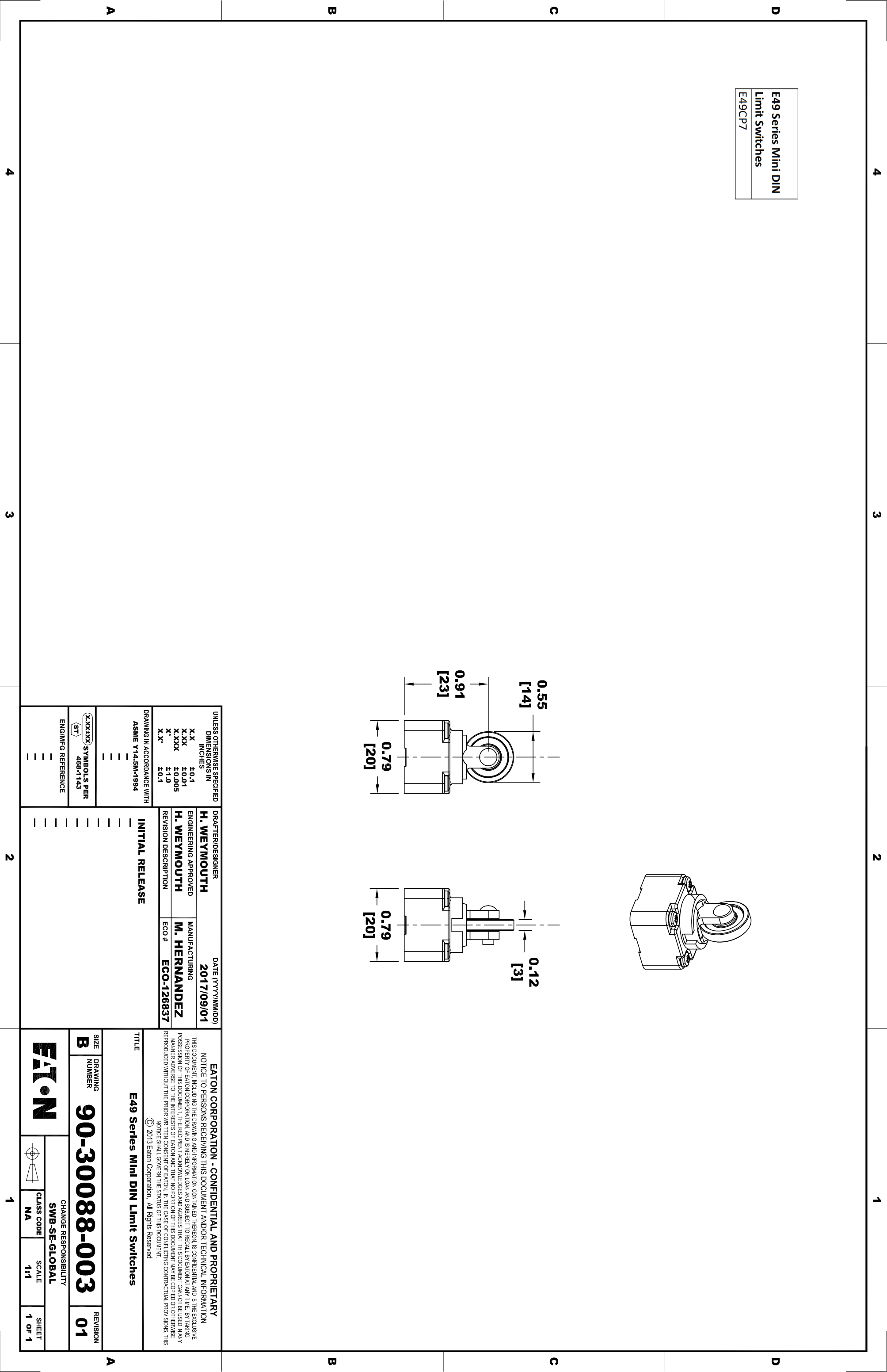
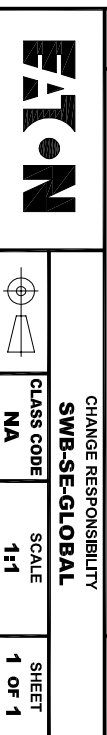
| | |
|--------------------------|---------|
| (X.XXX) SYMBOLS PER (ST) | 468-143 |
| ENG/MFG REFERENCE | |

EATON CORPORATION - CONFIDENTIAL AND PROPRIETARY

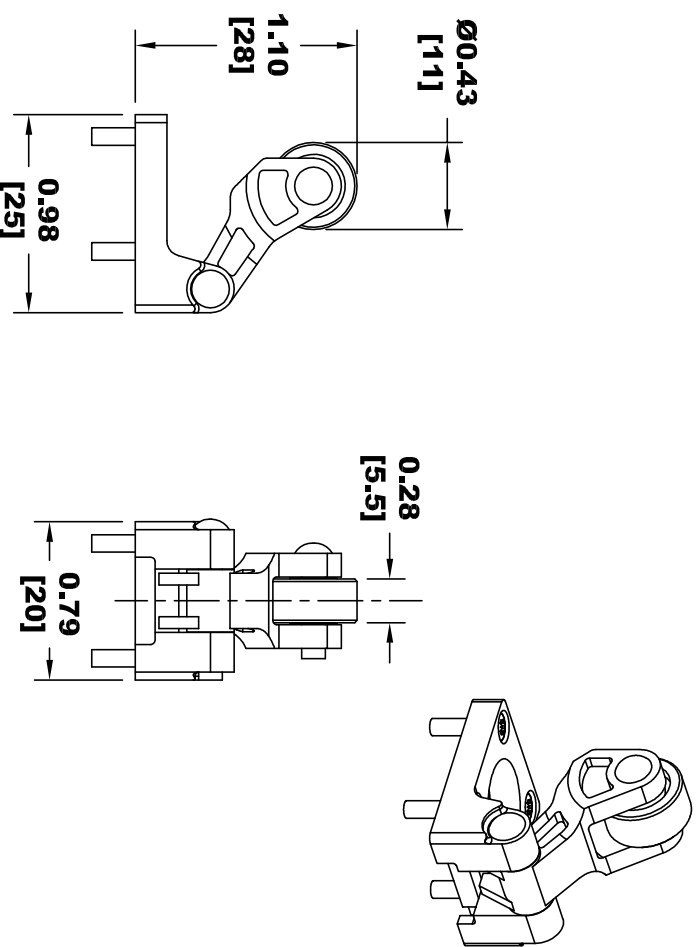
NOTICE TO PERSONS RECEIVING THIS DOCUMENT AND/OR TECHNICAL INFORMATION
THIS DOCUMENT, INCLUDING THE DRAWING AND INFORMATION CONTAINED THEREON, IS CONFIDENTIAL AND IS THE EXCLUSIVE PROPERTY OF EATON CORPORATION, AND IS MERELY ON LOAN AND SUBJECT TO RECALL BY EATON AT ANY TIME. BY TAKING POSSESSION OF THIS DOCUMENT, THE RECIPIENT ACKNOWLEDGES AND AGREES THAT THIS DOCUMENT CANNOT BE USED IN ANY MANNER ADVERSE TO THE INTERESTS OF EATON AND THAT NO PORTION OF THIS DOCUMENT MAY BE COPIED OR OTHERWISE REPRODUCED WITHOUT THE PRIOR WRITTEN CONSENT OF EATON. IN THE CASE OF CONFLICTING CONTRACTUAL PROVISIONS, THIS NOTICE SHALL GOVERN THE STATUS OF THIS DOCUMENT.

© 2013 Eaton Corporation. All Rights Reserved

| | | |
|-----------------------|---------------------|-----------|
| SIZE | DRAWING NUMBER | REVISION |
| B | 90-30088-003 | 01 |
| CHANGE RESPONSIBILITY | | |
| CLASS CODE | SCALE | SHEET |
| NA | 1:1 | 1 OF 1 |



E49 Series Mini DIN
Limit Switches
E49EP7



| | | | | | |
|---|--------|----------------------|--|---------------------|--|
| UNLESS OTHERWISE SPECIFIED DIMENSIONS IN INCHES | | DRAFTER/DESIGNER | | DATE (YYYY/MM/DD) | |
| X.X | ±0.1 | H. WEYMOUTH | | 2017/09/01 | |
| X.XX | ±0.01 | ENGINEERING APPROVED | | MANUFACTURING | |
| X.XXX | ±0.005 | H. WEYMOUTH | | M. HERNANDEZ | |
| X" | ±1.0 | REVISION DESCRIPTION | | ECO # | |
| X.X" | ±0.1 | | | ECO-126837 | |

| | | | |
|--|-----|-----------------|-----|
| DRAWING IN ACCORDANCE WITH ASME Y14.5M-1994 | | INITIAL RELEASE | |
| --- | --- | --- | --- |
| (X.XXX) SYMBOLS PER (ST) 468-1143 | --- | --- | --- |
| ENG/MFG REFERENCE | --- | --- | --- |

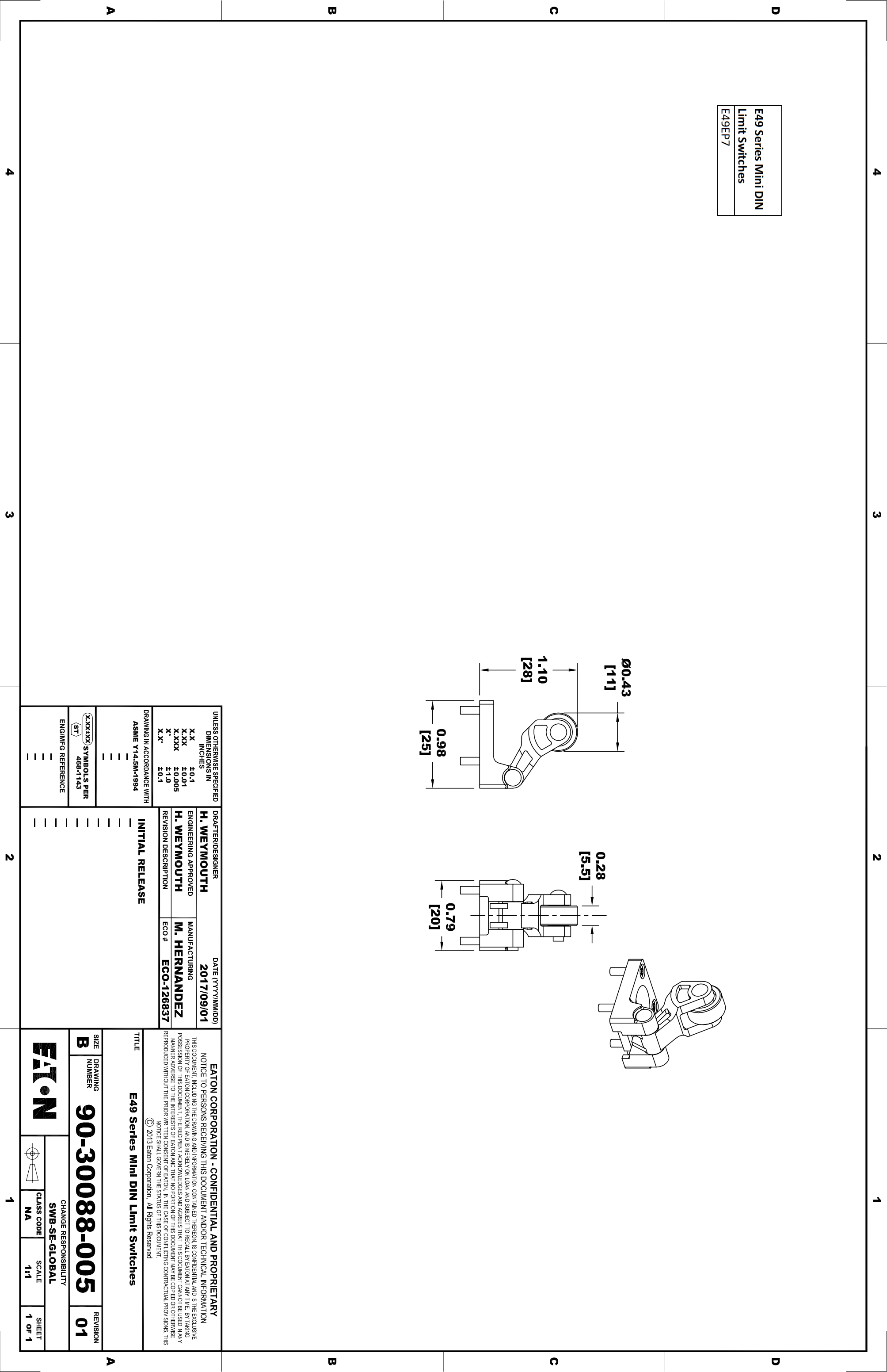
EATON CORPORATION - CONFIDENTIAL AND PROPRIETARY

NOTICE TO PERSONS RECEIVING THIS DOCUMENT AND/OR TECHNICAL INFORMATION
THIS DOCUMENT, INCLUDING THE DRAWING AND INFORMATION CONTAINED THEREON, IS CONFIDENTIAL AND IS THE EXCLUSIVE PROPERTY OF EATON CORPORATION, AND IS MERELY ON LOAN AND SUBJECT TO RECALL BY EATON AT ANY TIME. BY TAKING POSSESSION OF THIS DOCUMENT, THE RECIPIENT ACKNOWLEDGES AND AGREES THAT THIS DOCUMENT CANNOT BE USED IN ANY MANNER ADVERSE TO THE INTERESTS OF EATON AND THAT NO PORTION OF THIS DOCUMENT MAY BE COPIED OR OTHERWISE REPRODUCED WITHOUT THE PRIOR WRITTEN CONSENT OF EATON. IN THE CASE OF CONFLICTING CONTRACTUAL PROVISIONS, THIS NOTICE SHALL GOVERN THE STATUS OF THIS DOCUMENT.

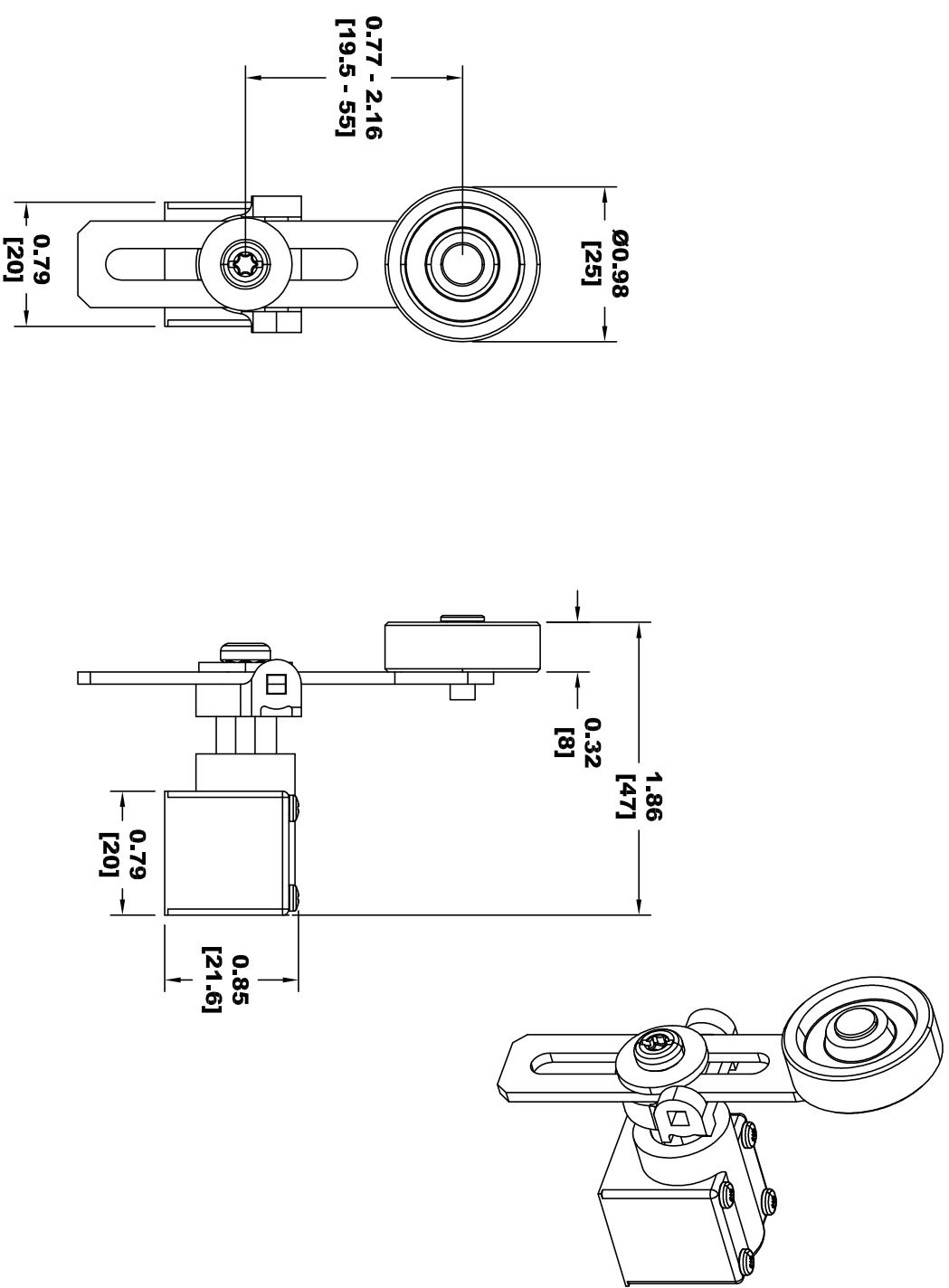
© 2013 Eaton Corporation. All Rights Reserved

| | | | |
|----------|---------------------|------------------------------------|--|
| TITLE | | E49 Series Mini DIN Limit Switches | |
| SIZE | DRAWING NUMBER | REVISION | |
| B | 90-30088-005 | 01 | |

| | | | |
|-----------------------|------------|--------|--|
| CHANGE RESPONSIBILITY | | SHEET | |
| CLASS CODE | SCALE | 1 OF 1 | |
| NA | 1:1 | | |



**E49 Series Mini DIN
Limit Switches**
E49UP7



| | | | |
|---|--------|----------------------|-------------------------|
| UNLESS OTHERWISE SPECIFIED DIMENSIONS IN INCHES | | DRAFTER/DESIGNER | |
| X.X | ±0.1 | H. WEYMOUTH | |
| X.XX | ±0.01 | ENGINEERING APPROVED | DATE (YYYY/MM/DD) |
| X.XXX | ±0.005 | H. WEYMOUTH | 2017/09/01 |
| X" | ±1.0 | REVISION DESCRIPTION | MANUFACTURING |
| X.X" | ±0.1 | | M. HERNANDEZ |
| | | | ECO # ECO-126837 |

DRAWING IN ACCORDANCE WITH
ASME Y14.5M-1994

INITIAL RELEASE

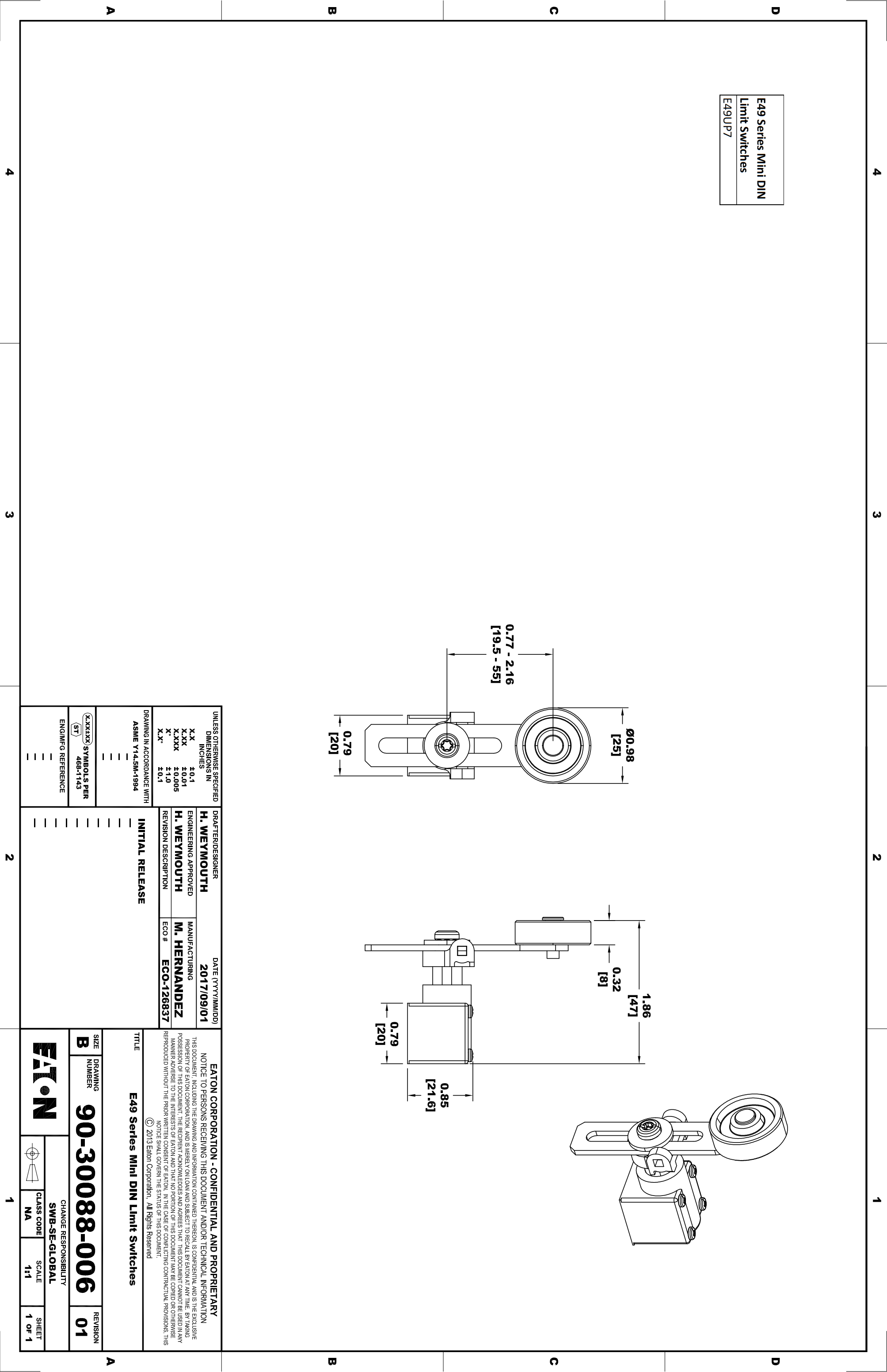
| | |
|-------------------------------------|-------------------|
| (X.XXX) SYMBOLS PER (ST) 468-143 | ENG/MFG REFERENCE |
| --- | --- |
| --- | --- |
| --- | --- |

EATON CORPORATION - CONFIDENTIAL AND PROPRIETARY

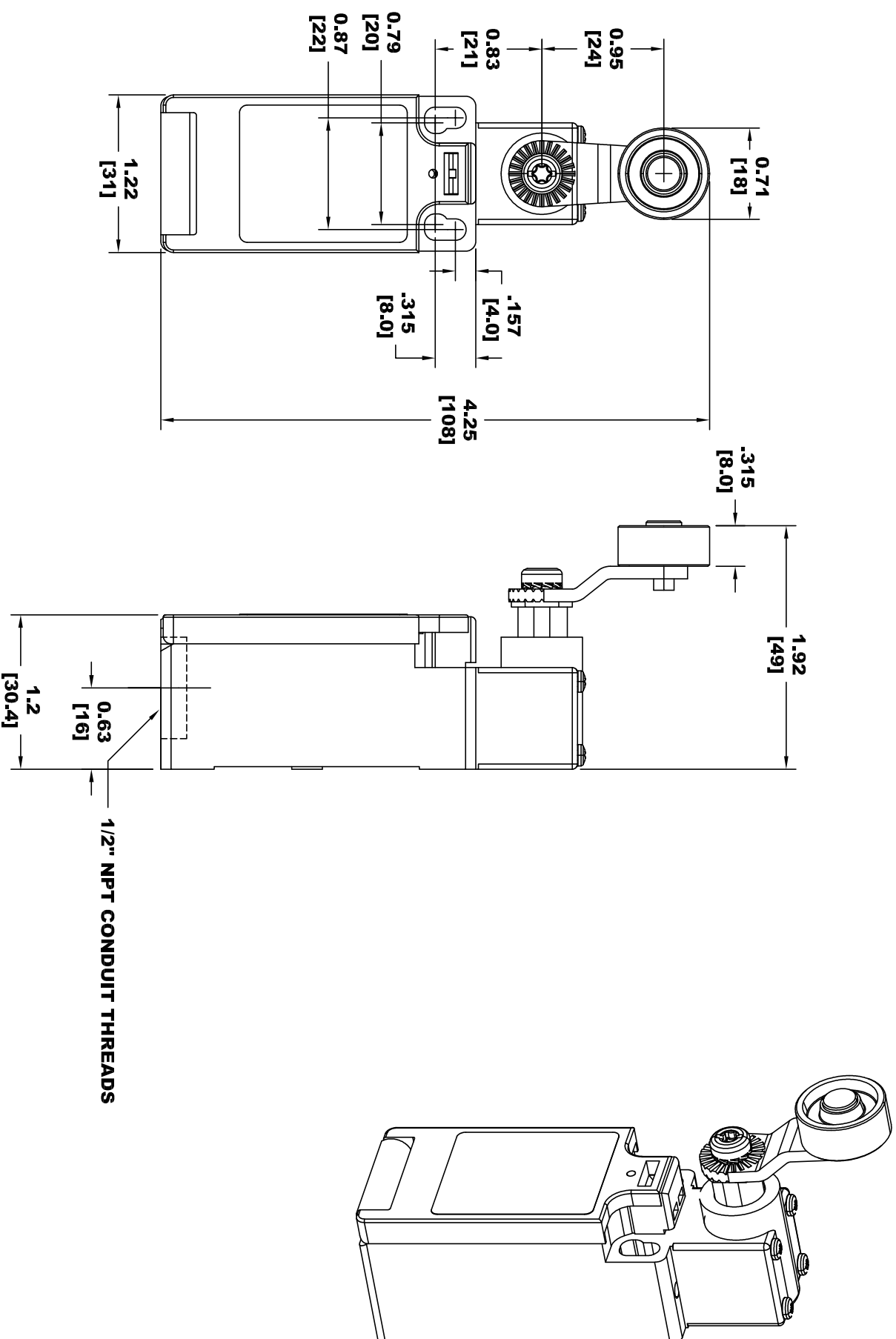
NOTICE TO PERSONS RECEIVING THIS DOCUMENT AND/OR TECHNICAL INFORMATION
THIS DOCUMENT, INCLUDING THE DRAWING AND INFORMATION CONTAINED THEREON, IS CONFIDENTIAL AND IS THE EXCLUSIVE
PROPERTY OF EATON CORPORATION, AND IS MERELY ON LOAN AND SUBJECT TO RECALL BY EATON AT ANY TIME. BY TAKING
POSSESSION OF THIS DOCUMENT, THE RECIPIENT ACKNOWLEDGES AND AGREES THAT THIS DOCUMENT CANNOT BE USED IN ANY
MANNER ADVERSE TO THE INTERESTS OF EATON AND THAT NO PORTION OF THIS DOCUMENT MAY BE COPIED OR OTHERWISE
REPRODUCED WITHOUT THE PRIOR WRITTEN CONSENT OF EATON. IN THE CASE OF CONFLICTING CONTRACTUAL PROVISIONS, THIS
NOTICE SHALL GOVERN THE STATUS OF THIS DOCUMENT.

© 2013 Eaton Corporation. All Rights Reserved

| | | |
|-----------------------|---------------------|-----------|
| SIZE | DRAWING NUMBER | REVISION |
| B | 90-30088-006 | 01 |
| CHANGE RESPONSIBILITY | | |
| CLASS CODE | SCALE | SHEET |
| NA | 1:1 | 1 OF 1 |



| |
|---|
| E49 Series Mini DIN Limit Switches |
| E49S71AP7 |
| E49S73AP7 |
| E49S74AP7 |



| | | |
|---|--|--|
| UNLESS OTHERWISE SPECIFIED DIMENSIONS IN INCHES | DRAFTER/DESIGNER H. WEYMOUTH | DATE (YYYY/MM/DD) 2017/09/01 |
| X.X ±0.1 | ENGINEERING APPROVED H. WEYMOUTH | MANUFACTURING M. HERNANDEZ |
| X.XX ±0.01 | REVISION DESCRIPTION | ECO # ECO-126837 |
| X.XXX ±0.005 | | |
| X" ±1.0 | | |
| X.X" ±0.1 | | |

DRAWING IN ACCORDANCE WITH
ASME Y14.5M-1994

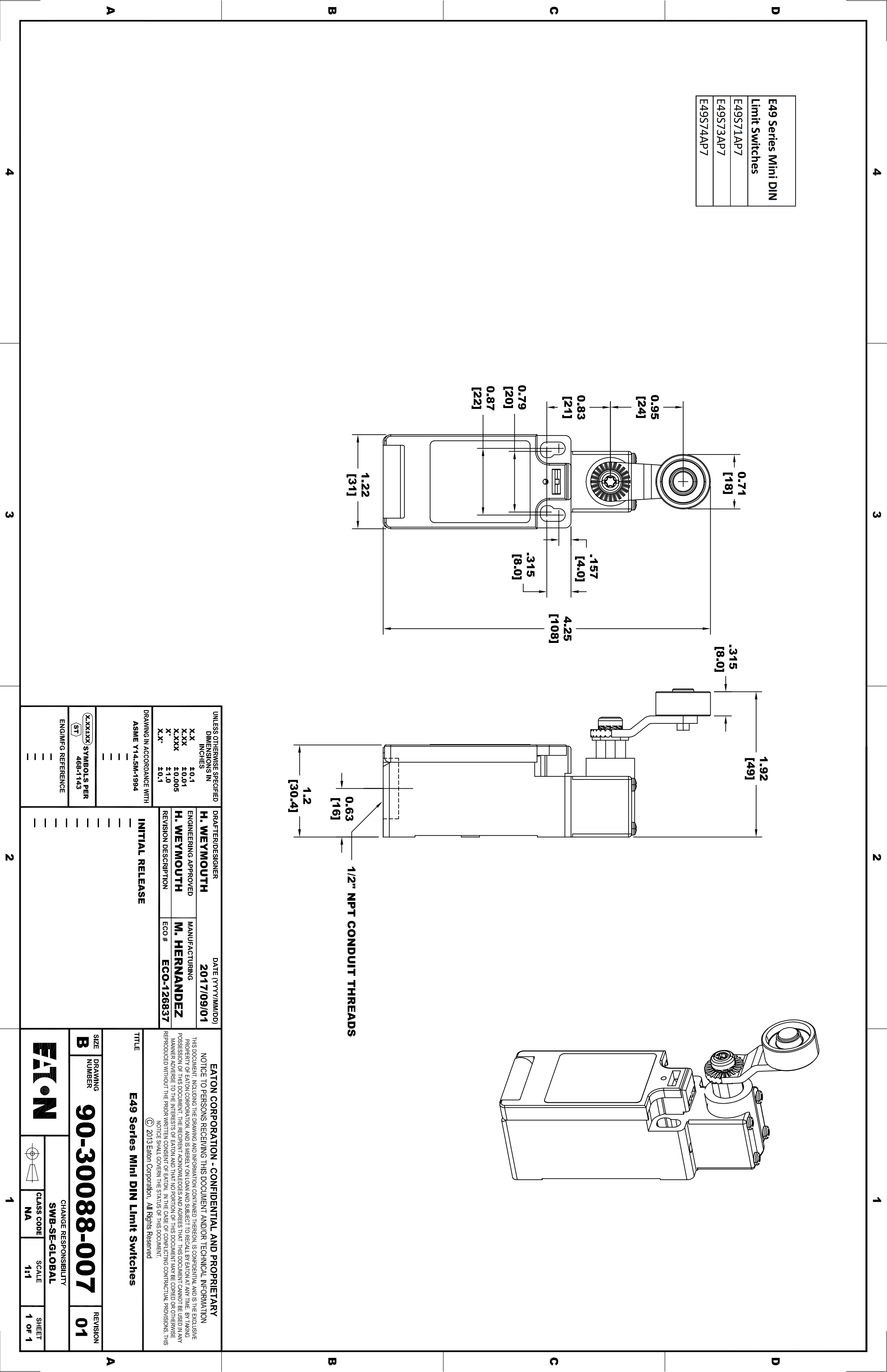
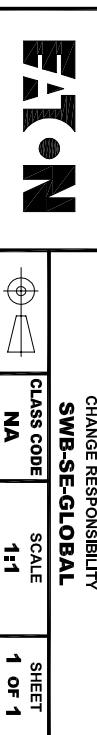
| | |
|--------------------------------------|-----------------|
| (X.XXX) SYMBOLS PER (ST) 468-1143 | INITIAL RELEASE |
| ENG/MFG REFERENCE | |

EATON CORPORATION - CONFIDENTIAL AND PROPRIETARY

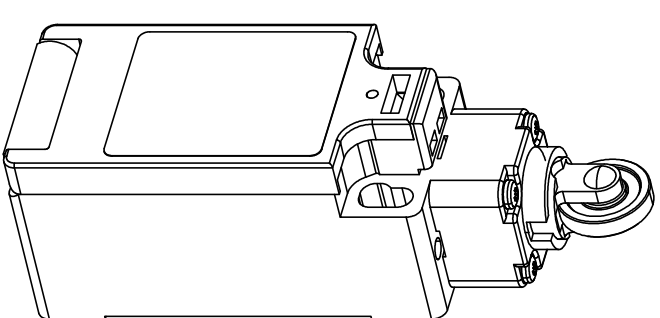
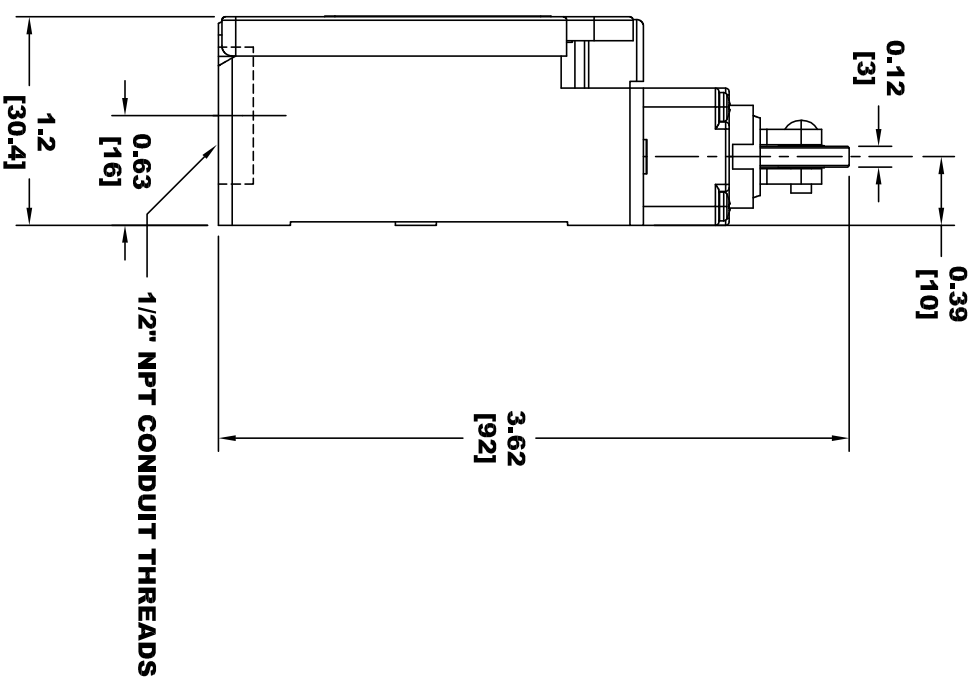
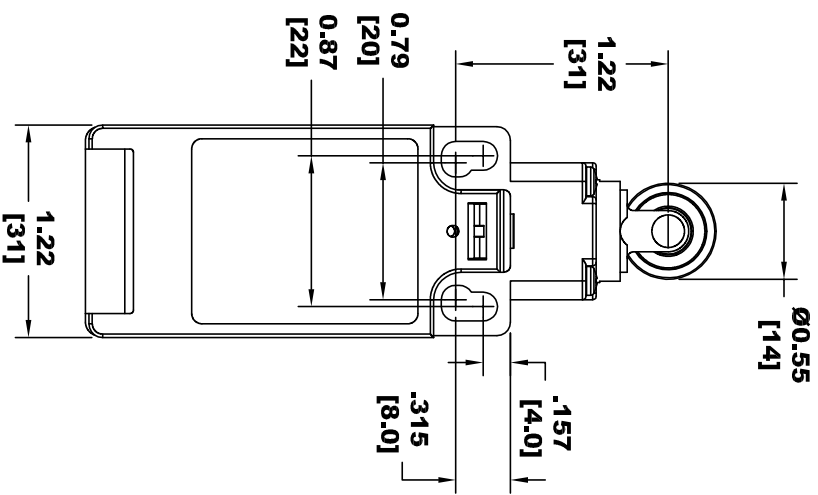
NOTICE TO PERSONS RECEIVING THIS DOCUMENT AND/OR TECHNICAL INFORMATION
THIS DOCUMENT, INCLUDING THE DRAWING AND INFORMATION CONTAINED THEREON, IS CONFIDENTIAL AND IS THE EXCLUSIVE PROPERTY OF EATON CORPORATION, AND IS MERELY ON LOAN AND SUBJECT TO RECALL BY EATON AT ANY TIME. BY TAKING POSSESSION OF THIS DOCUMENT, THE RECIPIENT ACKNOWLEDGES AND AGREES THAT THIS DOCUMENT CANNOT BE USED IN ANY MANNER ADVERSE TO THE INTERESTS OF EATON AND THAT NO PORTION OF THIS DOCUMENT MAY BE COPIED OR OTHERWISE REPRODUCED WITHOUT THE PRIOR WRITTEN CONSENT OF EATON. IN THE CASE OF CONFLICTING CONTRACTUAL PROVISIONS, THIS NOTICE SHALL GOVERN THE STATUS OF THIS DOCUMENT.

© 2013 Eaton Corporation. All Rights Reserved.

| | | |
|------------------------------------|---|------------------------|
| SIZE DRAWING NUMBER B | CHANGE RESPONSIBILITY SWB-SE-GLOBAL | REVISION 01 |
| 90-30088-007 | | |
| CLASS CODE NA | SCALE 1:1 | SHEET 1 OF 1 |



| |
|---|
| E49 Series Mini DIN Limit Switches |
| E49S71CP7 |
| E49S73CP7 |
| E49S74CP7 |



| | | | | | |
|---|--------|--|---------------------|--|--|
| UNLESS OTHERWISE SPECIFIED DIMENSIONS IN INCHES | | DRAFTER/DESIGNER H. WEYMOUTH | | DATE (YYYY/MM/DD) 2017/09/01 | |
| X.X | ±0.1 | ENGINEERING APPROVED | MANUFACTURING | | |
| X.XX | ±0.01 | H. WEYMOUTH | M. HERNANDEZ | | |
| X.XXX | ±0.005 | REVISION DESCRIPTION | ECO # | ECO-126837 | |
| X" | ±1.0 | INITIAL RELEASE | | | |
| X.X" | ±0.1 | DRAWING IN ACCORDANCE WITH ASME Y14.5M-1994 | | | |

EATON CORPORATION - CONFIDENTIAL AND PROPRIETARY

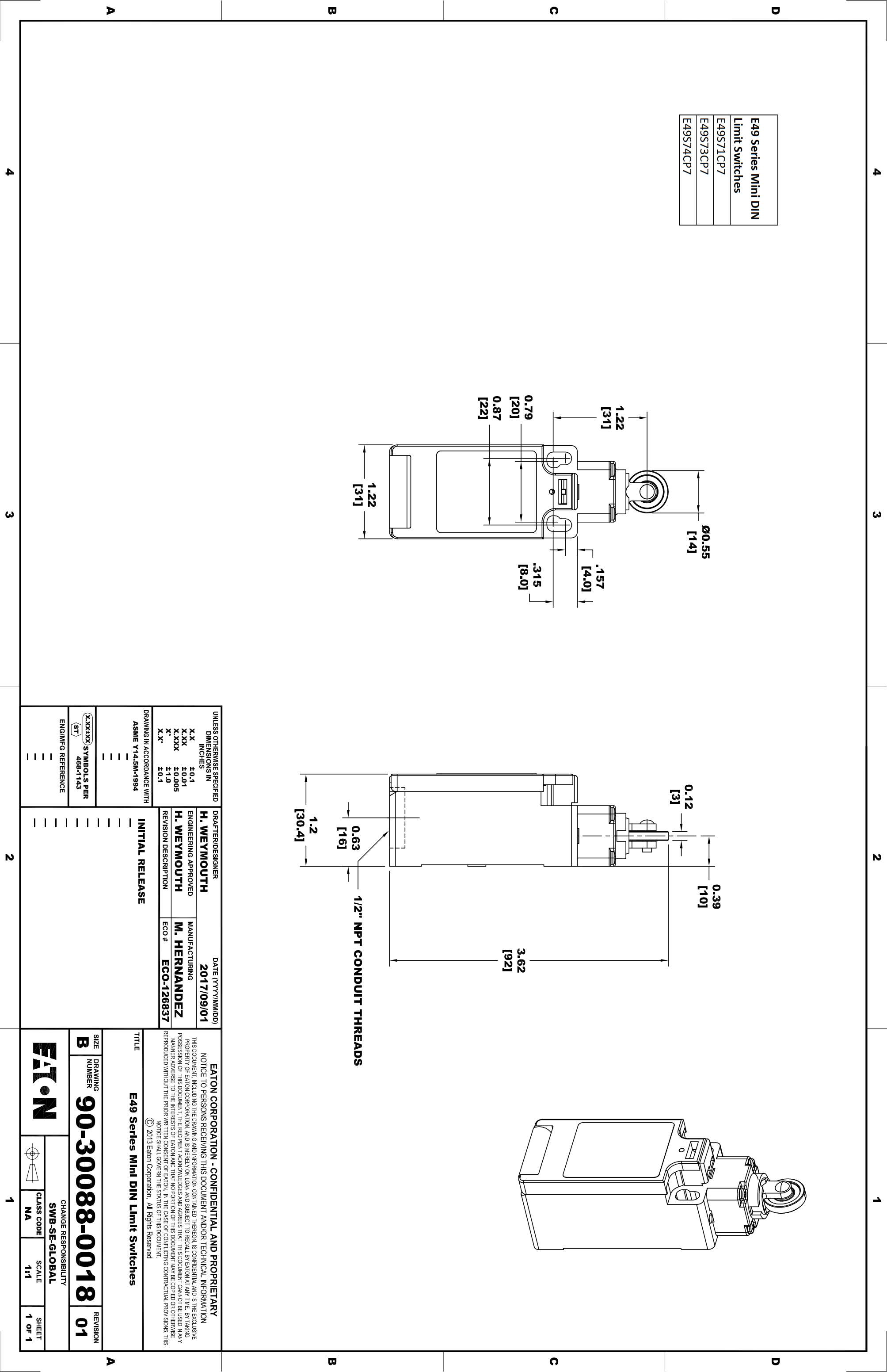
NOTICE TO PERSONS RECEIVING THIS DOCUMENT AND/OR TECHNICAL INFORMATION
THIS DOCUMENT, INCLUDING THE DRAWING AND INFORMATION CONTAINED THEREON, IS CONFIDENTIAL AND IS THE EXCLUSIVE PROPERTY OF EATON CORPORATION, AND IS MERELY ON LOAN AND SUBJECT TO RECALL BY EATON AT ANY TIME. BY TAKING POSSESSION OF THIS DOCUMENT, THE RECIPIENT ACKNOWLEDGES AND AGREES THAT THIS DOCUMENT CANNOT BE USED IN ANY MANNER ADVERSE TO THE INTERESTS OF EATON, AND THAT NO PORTION OF THIS DOCUMENT MAY BE COPIED OR OTHERWISE REPRODUCED WITHOUT THE PRIOR WRITTEN CONSENT OF EATON. IN THE CASE OF CONFLICTING CONTRACTUAL PROVISIONS, THIS NOTICE SHALL GOVERN THE STATUS OF THIS DOCUMENT.

© 2013 Eaton Corporation. All Rights Reserved.

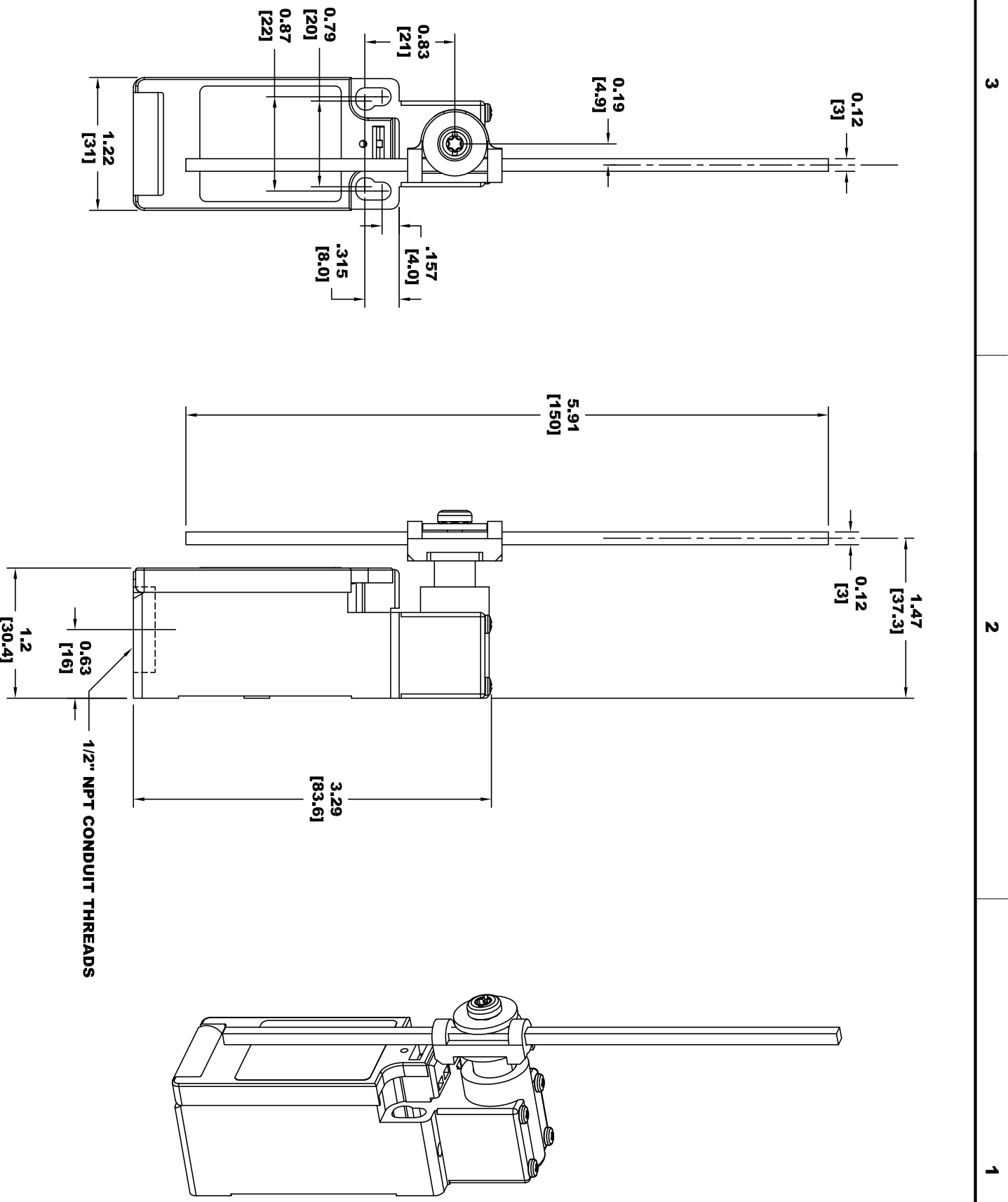
TITLE
E49 Series Mini DIN Limit Switches

| | |
|-----------------------------------|-----|
| ENGINE/MFG REFERENCE | --- |
| (X.XXX) SYMBOLS PER (ST) 468-1143 | --- |

| | | |
|---|--|------------------------|
| SIZE B | DRAWING NUMBER 90-30088-0018 | REVISION 01 |
| CHANGE RESPONSIBILITY SWB-SE-GLOBAL | | |
| CLASS CODE NA | SCALE 1:1 | SHEET 1 OF 1 |



| |
|---------------------------------------|
| E49 Series Mini DIN Limit Switches |
| E49S71DP7 |
| E49S73DP7 |
| E49S74DP7 |



| | | | | | |
|---|--------|--|---------------------|--|--|
| UNLESS OTHERWISE SPECIFIED DIMENSIONS IN INCHES | | DRAFTER/DESIGNER H. WEYMOUTH | | DATE (YYYY/MM/DD) 2017/09/01 | |
| X.X | ±0.1 | ENGINEERING APPROVED | MANUFACTURING | | |
| X.XX | ±0.01 | H. WEYMOUTH | M. HERNANDEZ | | |
| X.XXX | ±0.005 | REVISION DESCRIPTION | ECO # | | |
| X.X" | ±0.1 | | ECO-126837 | | |

DRAWING IN ACCORDANCE WITH
ASME Y14.5M-1994

INITIAL RELEASE

| |
|--------------------------------------|
| (X.XXX) SYMBOLS PER (ST) 468-1143 |
| ENG/MFG REFERENCE |

EATON CORPORATION - CONFIDENTIAL AND PROPRIETARY

NOTICE TO PERSONS RECEIVING THIS DOCUMENT AND/OR TECHNICAL INFORMATION
THIS DOCUMENT, INCLUDING THE DRAWING AND INFORMATION CONTAINED THEREON, IS CONFIDENTIAL AND IS THE EXCLUSIVE
PROPERTY OF EATON CORPORATION, AND IS MERELY ON LOAN AND SUBJECT TO RECALL BY EATON AT ANY TIME. BY TAKING
POSSESSION OF THIS DOCUMENT, THE RECIPIENT ACKNOWLEDGES AND AGREES THAT THIS DOCUMENT CANNOT BE USED IN ANY
MANNER ADVERSE TO THE INTERESTS OF EATON, AND THAT NO PORTION OF THIS DOCUMENT MAY BE COPIED OR OTHERWISE
REPRODUCED WITHOUT THE PRIOR WRITTEN CONSENT OF EATON. IN THE CASE OF CONFLICTING CONTRACTUAL PROVISIONS, THIS
NOTICE SHALL GOVERN THE STATUS OF THIS DOCUMENT.

© 2013 Eaton Corporation. All Rights Reserved.

| | |
|---|-----------------|
| SIZE DRAWING NUMBER | REVISION |
| B | 01 |
| CHANGE RESPONSIBILITY SWB-SE-GLOBAL | |
| CLASS CODE NA | SHEET 1 OF 1 |

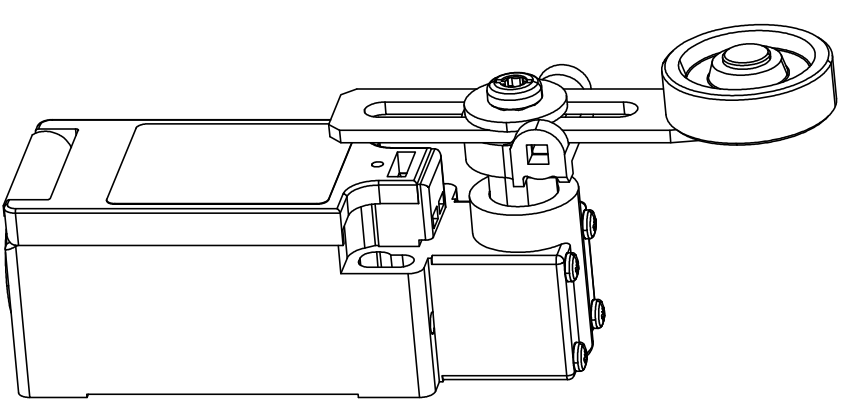
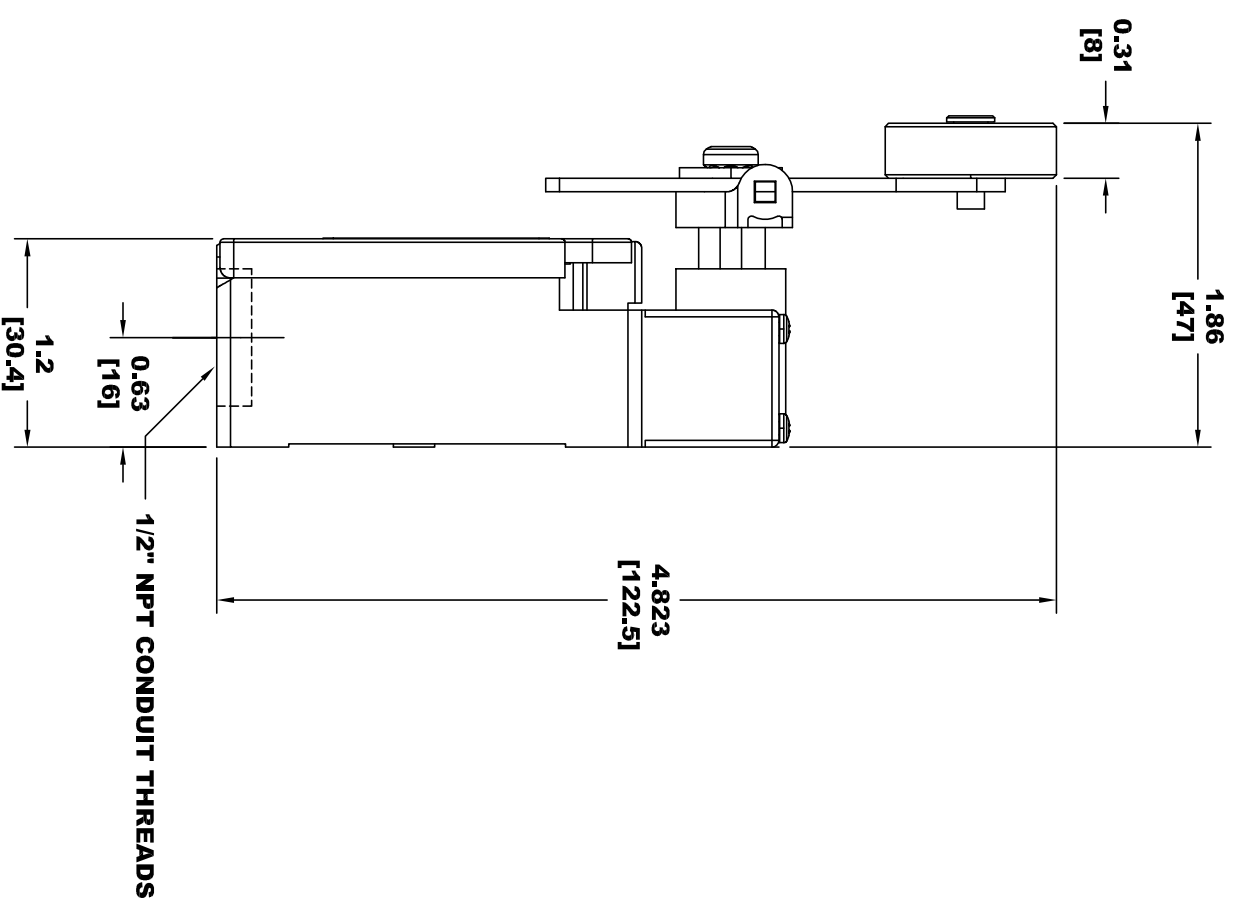
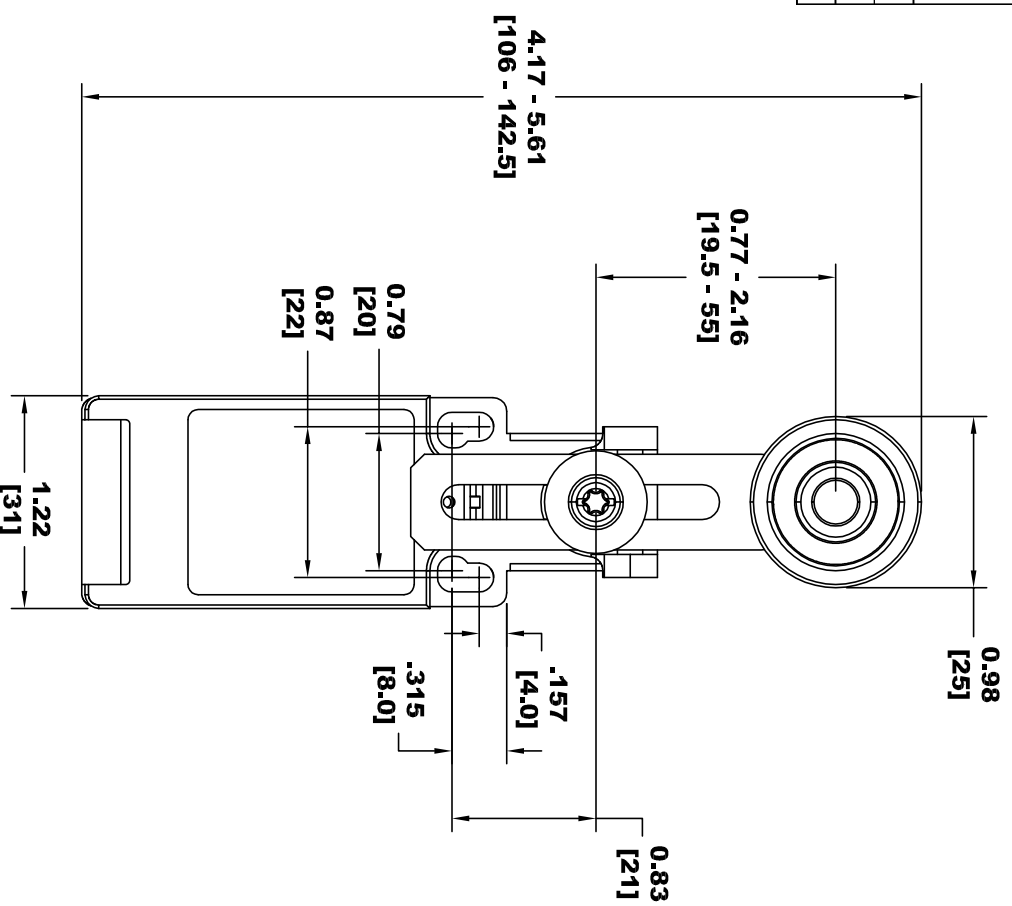
EATON

SCALE 1:1

4 3 2 1

A B C D

| |
|---------------------------------------|
| E49 Series Mini DIN Limit Switches |
| E49S71UP7 |
| E49S73UP7 |
| E49S74UP7 |



| | |
|--|------------------------------------|
| UNLESS OTHERWISE SPECIFIED | |
| DIMENSIONS IN INCHES | |
| X.X | ±0.1 |
| X.XX | ±0.01 |
| X.XXX | ±0.005 |
| X" | ±1.0 |
| X.X" | ±0.1 |
| DRAWING IN ACCORDANCE WITH ASME Y14.5M-1994 | |
| DRAFTER/DESIGNER: H. WEYMOUTH DATE: 2017/09/01 | |
| ENGINEERING APPROVED: H. WEYMOUTH | MANUFACTURING: M. HERNANDEZ |
| REVISION DESCRIPTION: X.X" | ECO #: ECO-126837 |
| INITIAL RELEASE | |

EATON CORPORATION - CONFIDENTIAL AND PROPRIETARY

NOTICE TO PERSONS RECEIVING THIS DOCUMENT AND/OR TECHNICAL INFORMATION: THIS DOCUMENT, INCLUDING THE DRAWING AND INFORMATION CONTAINED THEREON, IS CONFIDENTIAL AND IS THE EXCLUSIVE PROPERTY OF EATON CORPORATION, AND IS MERELY ON LOAN AND SUBJECT TO RECALL BY EATON AT ANY TIME. BY TAKING POSSESSION OF THIS DOCUMENT, THE RECIPIENT ACKNOWLEDGES AND AGREES THAT THIS DOCUMENT CANNOT BE USED IN ANY MANNER ADVERSE TO THE INTERESTS OF EATON, AND THAT NO PORTION OF THIS DOCUMENT MAY BE COPIED OR OTHERWISE REPRODUCED WITHOUT THE PRIOR WRITTEN CONSENT OF EATON. IN THE CASE OF CONFLICTING CONTRACTUAL PROVISIONS, THIS NOTICE SHALL GOVERN THE STATUS OF THIS DOCUMENT.

© 2013 Eaton Corporation. All Rights Reserved.

TITLE: **E49 Series Mini DIN Limit Switches**

| | |
|-----------------------|-------|
| CHANGE RESPONSIBILITY | |
| CLASS CODE | SCALE |
| NA | 1:1 |
| SHEET 1 OF 1 | |

| | | |
|--------------|---------------------|----------|
| SIZE | DRAWING NUMBER | REVISION |
| B | 90-30088-011 | 01 |
| EATON | | |

