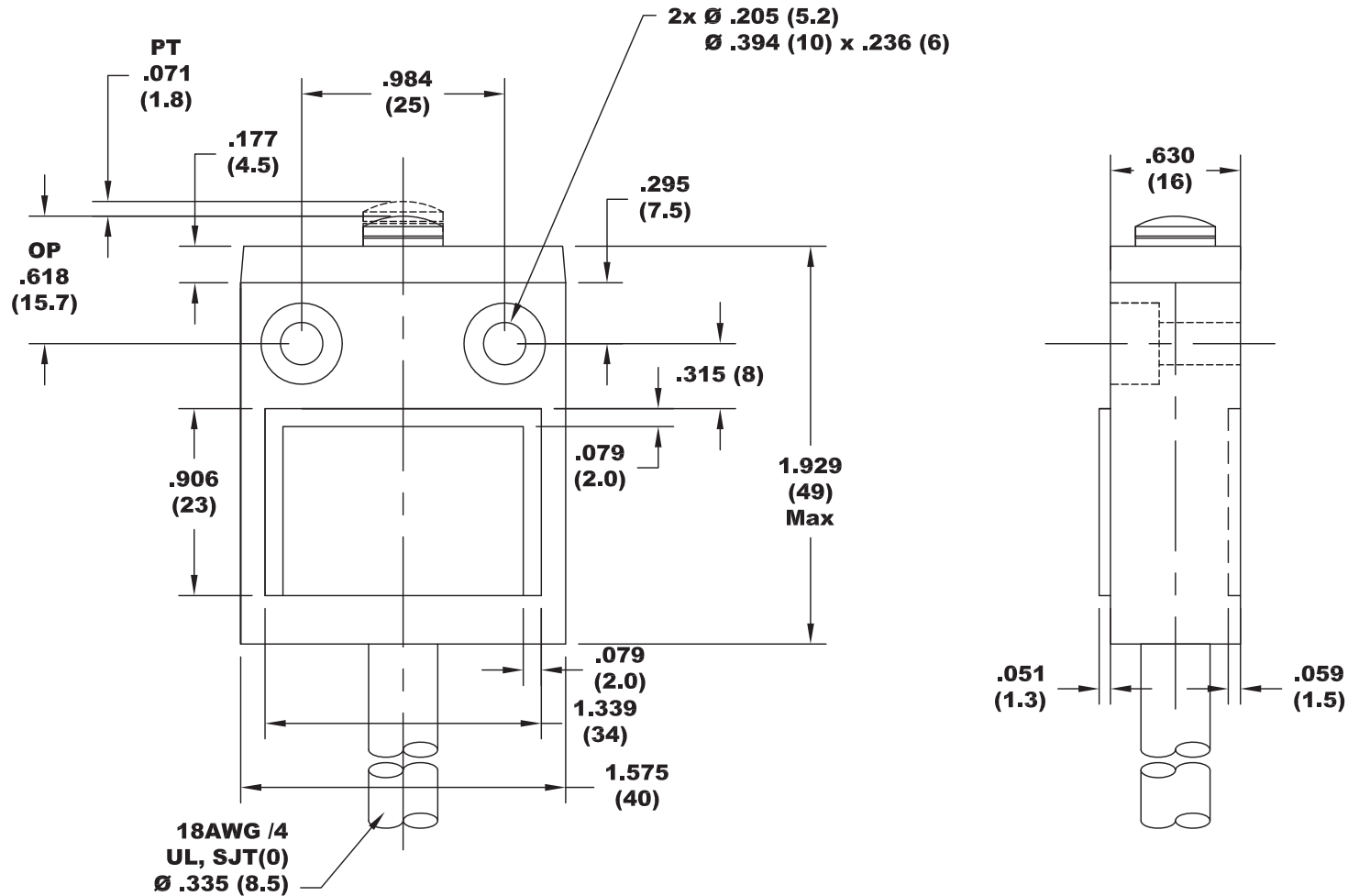


**E47BCC05**



-	-	-	-	-	-	-
-	-	-	-	-	-	-
-	-	-	-	-	-	-
-	-	-	-	-	-	-
-	-	-	-	-	-	-
-	-	-	-	-	-	-
DATE	REV	DESCRIPTION	DWN	ENG	MFG	OTHR

**PROPRIETARY NOTICE**  
 NOTICE TO ALL PERSONS RECEIVING THIS INFORMATION. THE INFORMATION DISCLOSED HEREIN IS THE CONFIDENTIAL INFORMATION OF EATON CORP. IS DISCLOSED IN STRICT CONFIDENCE AND SHALL NOT BE REPRODUCED, DISCLOSED OR USED IN ANY MANNER WITHOUT THE WRITTEN CONSENT OF EATON CORPORATION. COPYRIGHT EATON CORPORATION. ALL RIGHTS RESERVED.

THIRD ANGLE PROJECTION

☑ = CRITICAL DIMENSION TO BE INSPECTED

UNLESS OTHERWISE SPECIFIED DIMENSIONS ARE IN INCHES TOLERANCES ARE:

DECIMAL:	ANGULAR:
.XX ± .01	∠ ± 30'
.XXX ± .005	
.XXXX ± .001	

MATL:  
 .  
 .

FINISH:  
 .  
 .

DWN H. WEYMOUTH  
 DATE 07/01/2007

CHK ---  
 ENG ---  
 MFG ---  
 OTHR ---  
 OTHR ---

SCALE: SHT 1 OF 1

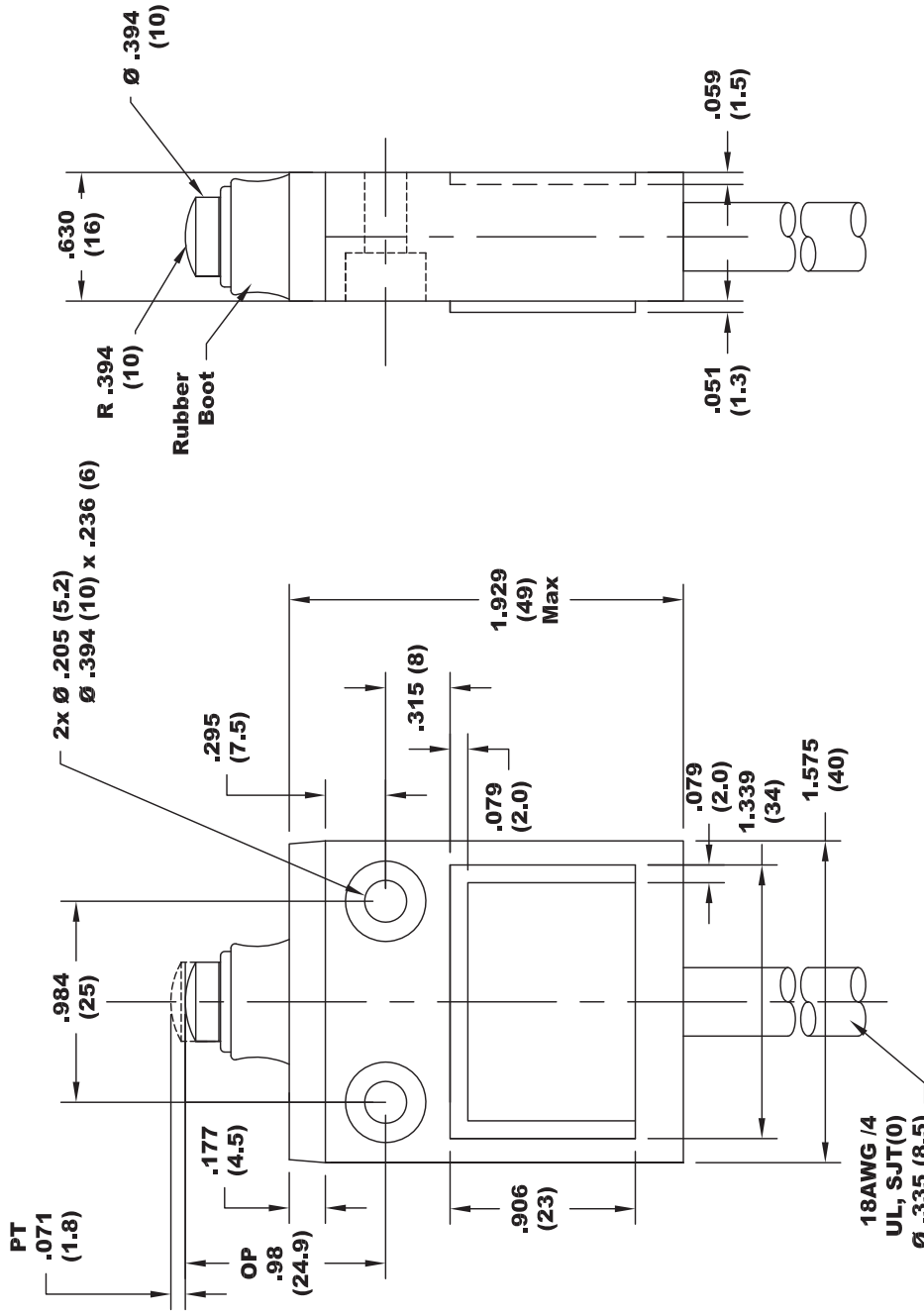
6500 HARBOUR HT'S PKWY  
 SUITE 320  
 MUKILTEO, WA 98275  
 (425) 349-5240

**E47 Compact Pre-Wired Pin Plunger Limit Switch**

SIZE	DRAWING NO.	AutoCAD	REV
<b>A</b>	<b>90-26808-001</b>		<b>01</b>



**E47BCC06**

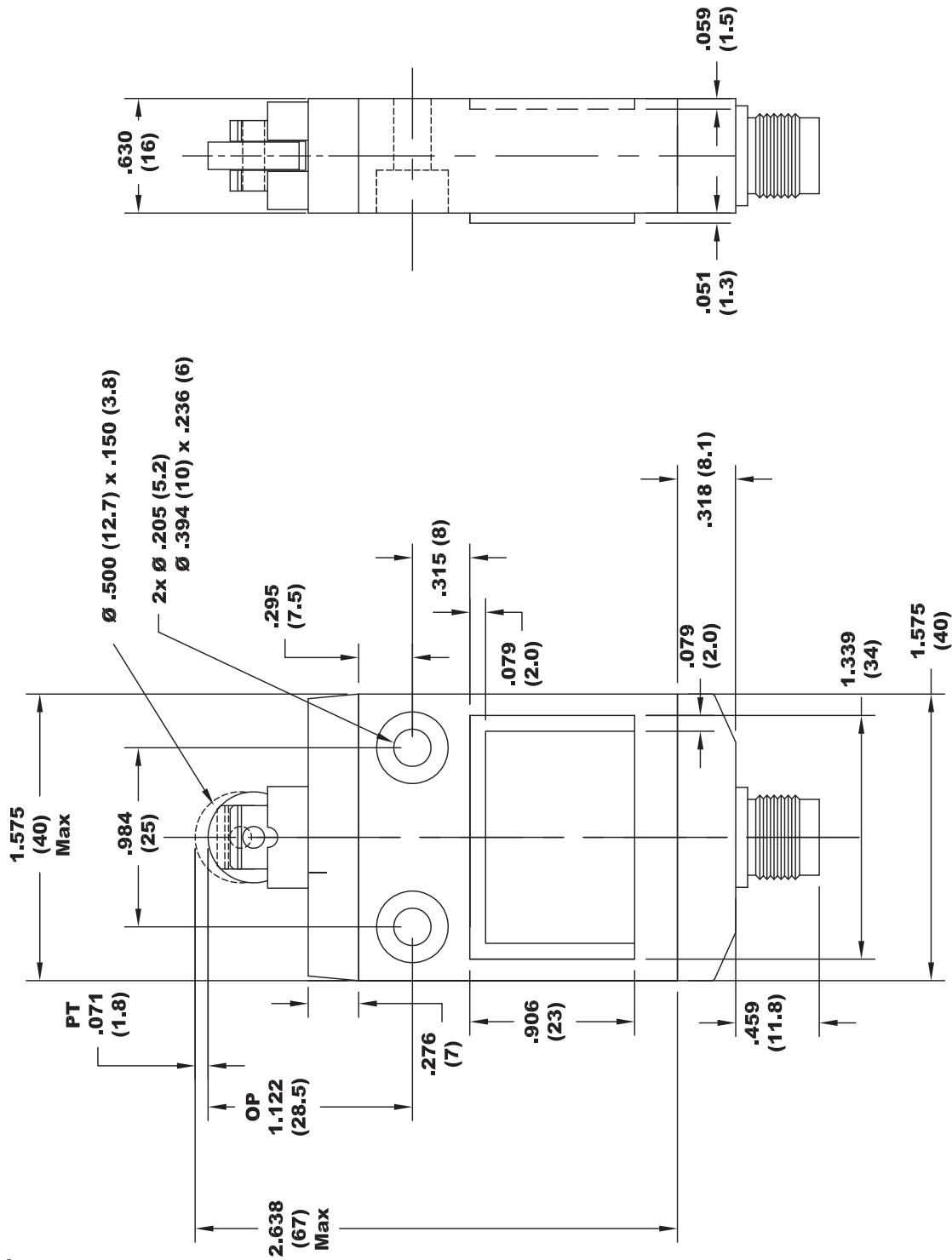


EATON		6500 HARBOUR HT'S PKWY SUITE 300 WA 98275 MUKILTEO (425) 349-5240	
E47 Compact Pre-Wired Sealed Plunger Limit Switch		AutoCAD	
SIZE		DRAWING NO.	
A		90-26808-003 01	
REV		REV	
DATE		REV	
DESCRIPTION		REV	
DWN		REV	
ENG		REV	
MFG		REV	
OTHER		REV	
OTHER		REV	
SCALE:		SHT OF	
.		1 1	
UNLESS OTHERWISE SPECIFIED DIMENSIONS ARE IN INCHES		DWN H. WEYMOUTH	
TOLERANCES ARE:		DATE 07/01/2007	
DECIMAL:		CHK	
.01		ENG	
.005		MFG	
.001		OTHER	
ANGULAR:		OTHER	
XX ±		SCALE:	
XXX ±		SHT OF	
XXXX ±		1 1	
XXXXX ±		REV	
MATERIAL:		REV	
.		REV	
FINISH:		REV	
.		REV	
THIRD ANGLE PROJECTION		REV	
CRITICAL DIMENSION TO BE INSPECTED		REV	





**E47BCC07P4**

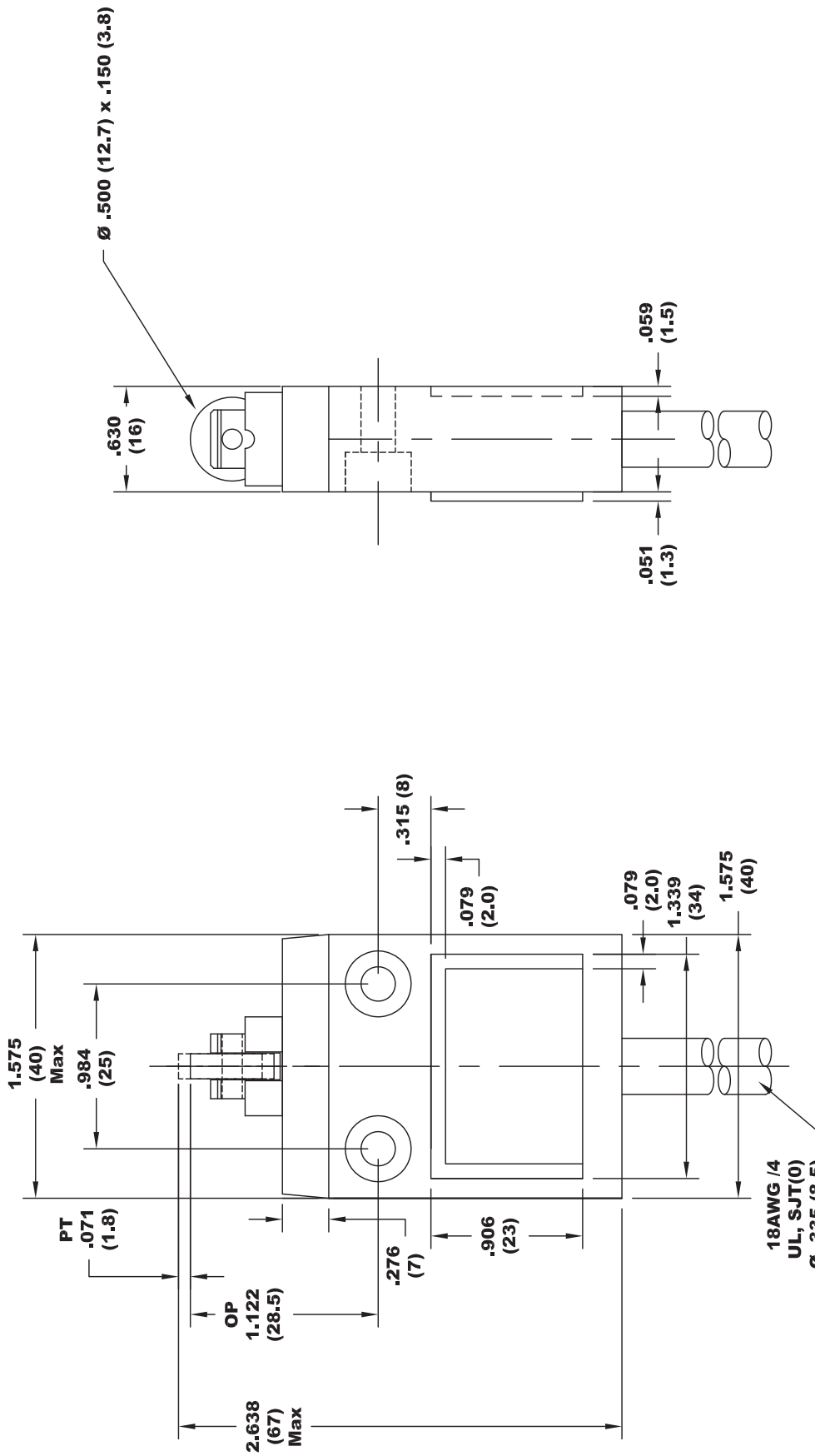


<p><b>EATON</b>          6500 HARBOUR HT'S PKWY          SUITE 300 WA 98275          MUKILTEO          (425) 349-5240</p>		<p><b>E47 Compact Pre Wired          Pin Plunger          Limit Switch</b></p>		<p>SIZE DRAWING NO. <b>A</b>          REV <b>90-26808-006 01</b></p>	
<p>UNLESS OTHERWISE SPECIFIED          DIMENSIONS ARE IN INCHES          TOLERANCES ARE:</p>		<p>DWN H. WEYMOUTH          DATE 07/01/2007</p>		<p>CHK ---          ENG ---          MFG ---          OTHR ---          OTHR ---</p>	
<p>PROPRIETARY NOTICE          NOTICE TO ALL PERSONS RECEIVING          THIS INFORMATION: THE          INFORMATION DISCLOSED HEREIN IS THE          PROPERTY OF EATON CORPORATION AND SHALL          BE KEPT CONFIDENTIAL. IT IS NOT TO          BE REPRODUCED, DISCLOSED OR USED IN          ANY MANNER WITHOUT THE WRITTEN CONSENT          OF EATON CORPORATION. COPYRIGHT EATON          CORPORATION. ALL RIGHTS RESERVED.</p>		<p>DECIMAL: .01          ANGULAR: ± .005          ∠ ± 30'</p>		<p>SCALE: SHT 1 OF 1</p>	
<p>THIRD ANGLE PROJECTION</p>		<p>MATL: .</p>		<p>FINISH: .</p>	
<p>CRITICAL DIMENSION          TO BE INSPECTED</p>		<p>DESCRIPTION</p>		<p>DWN ENG MFG OTHR</p>	
DATE	REV				



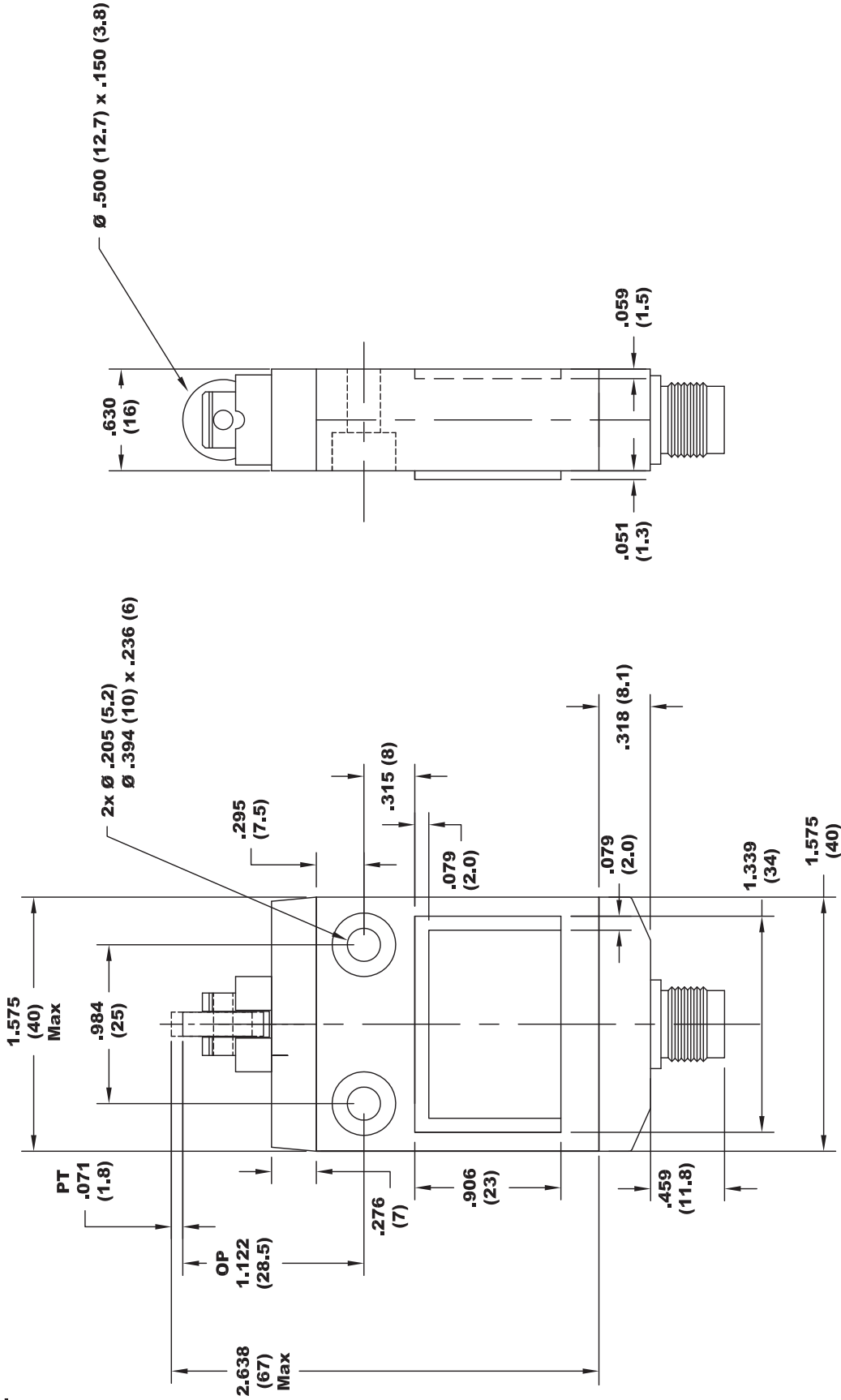


**E47BCC11**



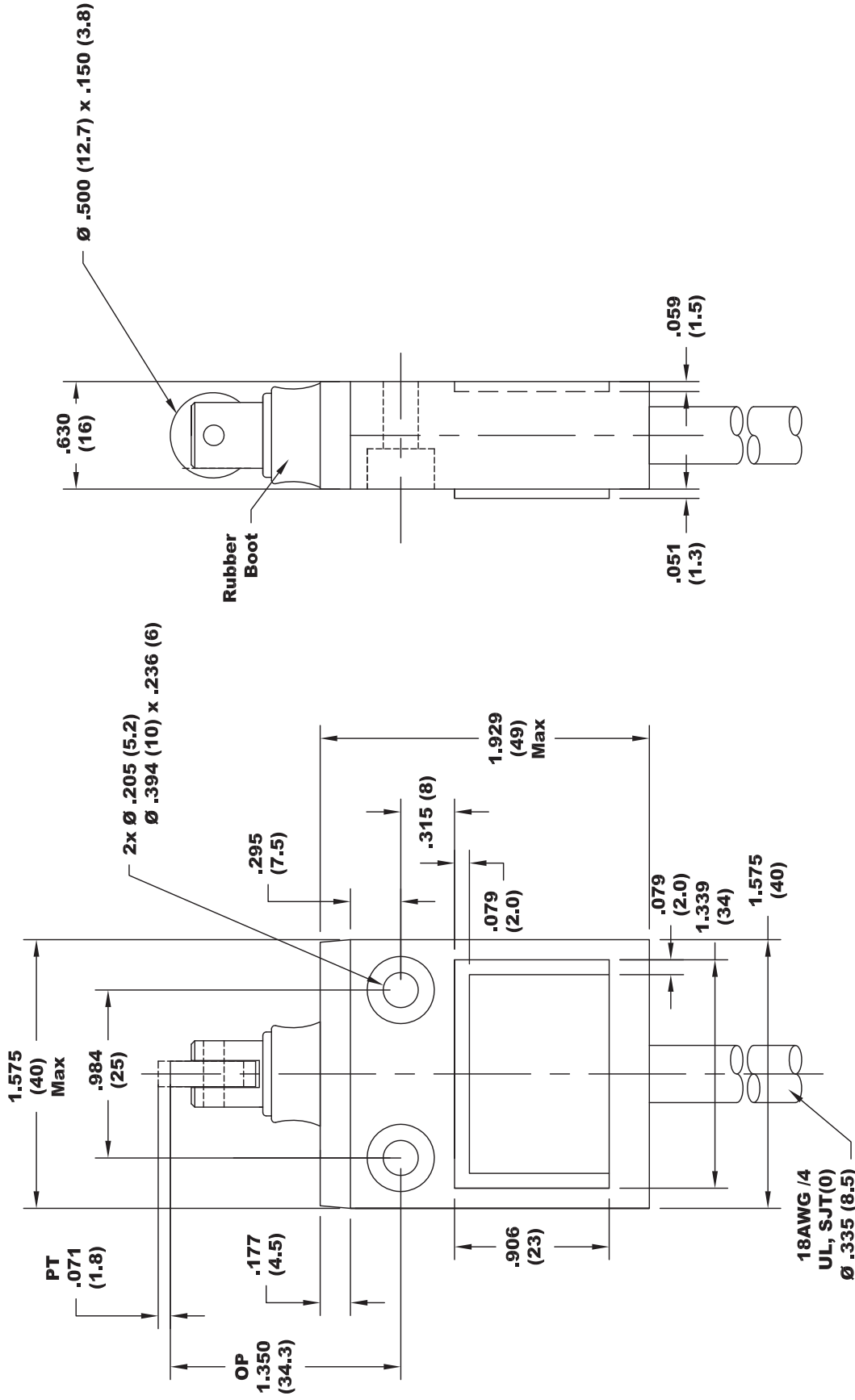
DATE	REV	DESCRIPTION	DWN	ENG	MFG	OTHR	<p><b>PROPRIETARY NOTICE</b>          NOTICE TO ALL PERSONS RECEIVING THIS INFORMATION: THE INFORMATION DISCLOSED HEREIN IS THE PROPERTY OF EATON CORPORATION AND SHALL BE KEPT CONFIDENTIAL AND SHALL NOT BE REPRODUCED, DISCLOSED OR USED IN ANY MANNER WITHOUT THE WRITTEN CONSENT OF EATON CORPORATION. COPYRIGHT EATON CORPORATION. ALL RIGHTS RESERVED.</p>		<p>UNLESS OTHERWISE SPECIFIED DIMENSIONS ARE IN INCHES          TOLERANCES ARE:          DECIMAL: .01          XX ± .005          .XXX ± .001          .XXXX ± .001          MATL: .          FINISH: .</p>		<p>DWN H. WEYMOUTH          DATE 07/01/2007          CHK ---          ENG ---          MFG ---          OTHR ---          OTHR ---</p>		<p>6500 HARBOUR HT'S PKWY          SUITE 300 WA 98275          MUKILTEO          (425) 349-5240</p>	
							<p>THIRD ANGLE PROJECTION</p>		<p>SCALE: SHT 1 OF 1</p>		<p>AutoCAD REV</p>			
							<p>CRITICAL DIMENSION TO BE INSPECTED</p>		<p>SIZE DRAWING NO. <b>A</b></p>		<p><b>EATON</b></p>			
							<p>18AWG /4          UL, SJT(0)          Ø .335 (8.5)</p>		<p><b>E47 Compact Pre-Wired          Cross Roller Plunger          Limit Switch</b></p>		<p><b>90-26808-009 01</b></p>			

**E47BCC11P4**



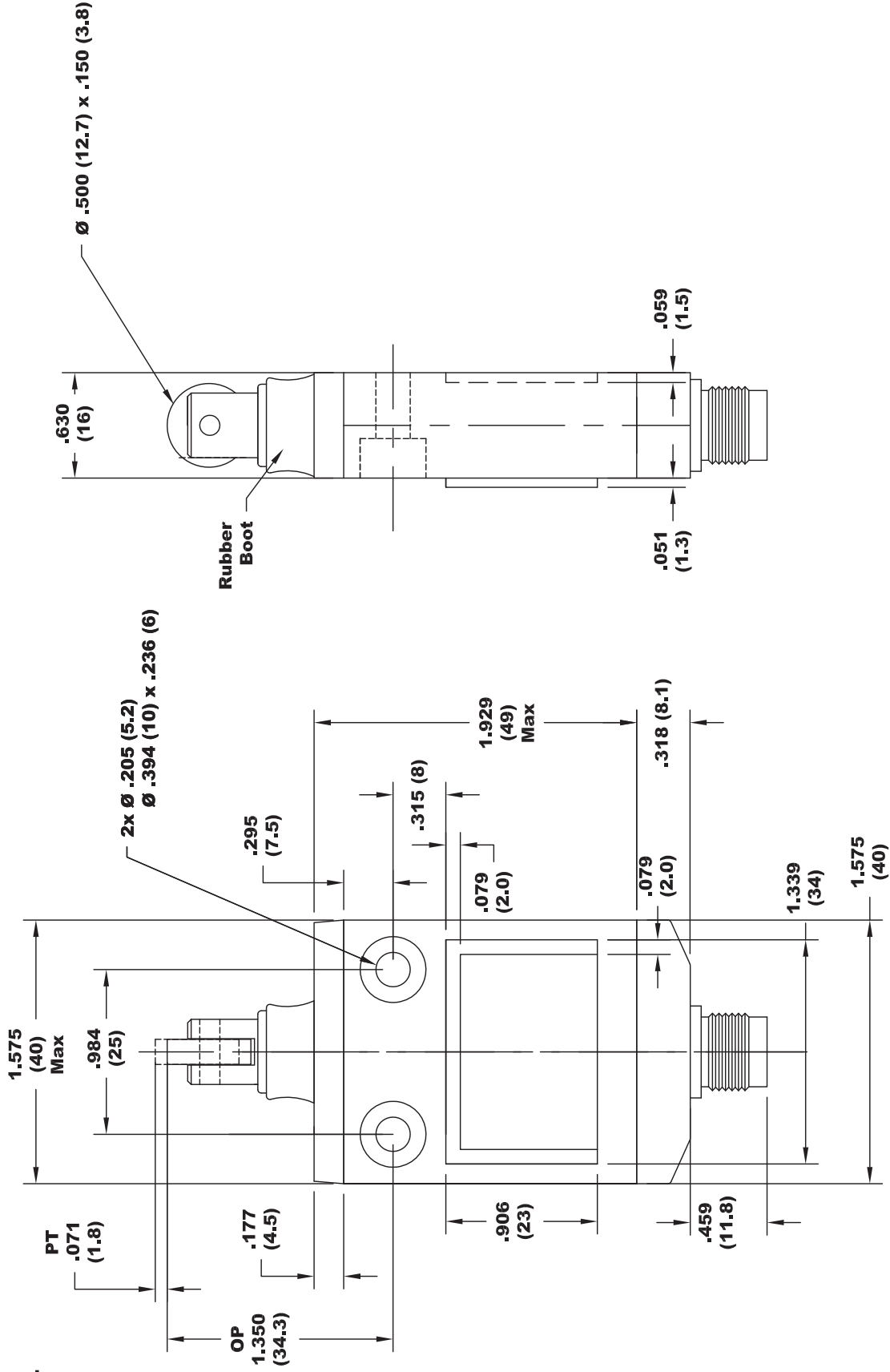
<p><b>EATON</b>          6500 HARBOUR HT'S PKWY          SUITE 300 WA 98275          MUKILTEO          (425) 349-5240</p>		<p><b>E47 Compact Pre-Wired          Pin Plunger          Limit Switch</b></p>		<p>SIZE <b>A</b> DRAWING NO. <b>90-26808-010</b> REV <b>01</b></p>		
<p>UNLESS OTHERWISE SPECIFIED          DIMENSIONS ARE IN INCHES</p>		<p>DWN H. WEYMOUTH          DATE 07/01/2007</p>		<p>CHK ---          ENG ---          MFG ---          OTHR ---</p>		
<p>TOLERANCES ARE:</p>		<p>DECIMAL: .01          .005          .001</p>		<p>ANGULAR: <math>\angle \pm 30^\circ</math></p>		
<p>PROPRIETARY NOTICE          NOTICE TO ALL PERSONS RECEIVING          THIS INFORMATION: THE          INFORMATION DISCLOSED HEREIN IS THE          PROPERTY OF EATON CORPORATION AND SHALL          BE KEPT CONFIDENTIAL AND SHALL          NOT BE REPRODUCED, DISCLOSED OR USED IN          ANY MANNER WITHOUT THE WRITTEN CONSENT          OF EATON CORPORATION. COPYRIGHT EATON          CORPORATION. ALL RIGHTS RESERVED.</p>		<p>MATL:</p>		<p>FINISH:</p>		
<p>THIRD ANGLE PROJECTION</p>		<p>CRITICAL DIMENSION          TO BE INSPECTED</p>		<p>SCALE: SHT 1 OF 1</p>		
DATE	REV	DESCRIPTION	DWN	ENG	MFG	OTHR

# E47BCC12



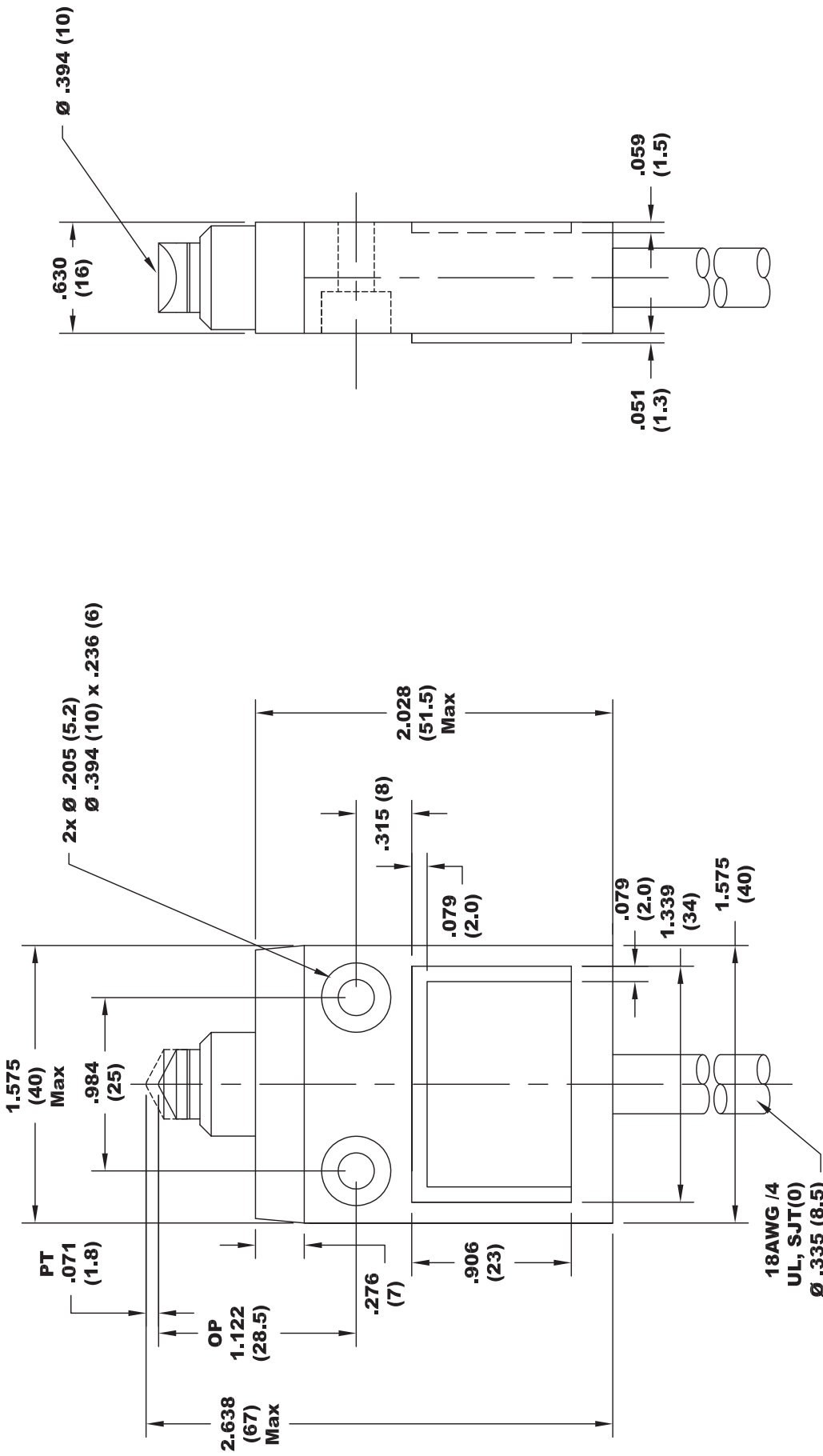
<b>EATON</b> 6500 HARBOUR HT'S PKWY SUITE 300 WA 98275 MUKILTEO (425) 349-5240		<b>E47 Compact Pre-Wired Seal Cross Roller Plunger Limit Switch</b>		SIZE <b>A</b> DRAWING NO. <b>90-26808-011</b> REV <b>01</b>		
DATE	REV	DESCRIPTION	DWN	ENG	MFG	OTHR
-	-	-	-	-	-	-
-	-	-	-	-	-	-
-	-	-	-	-	-	-
-	-	-	-	-	-	-
-	-	-	-	-	-	-
-	-	-	-	-	-	-
-	-	-	-	-	-	-
UNLESS OTHERWISE SPECIFIED DIMENSIONS ARE IN INCHES		DWN H. WEYMOUTH		DATE 07/01/2007		
TOLERANCES ARE:		CHK ---		ENG ---		
DECIMAL:		XX ± .01		MFG ---		
ANGULAR:		XXX ± .005		OTHR ---		
		XXXX ∠ ±30°		OTHR ---		
		XXXXX ± .001		SCALE: SHT 1 OF 1		
MATERIAL:		FINISH:		AutoCAD		
THIRD ANGLE PROJECTION		CRITICAL DIMENSION TO BE INSPECTED		REV		

**E47BCC12P4**



DATE	REV	DESCRIPTION	DWN	ENG	MFG	OTHR	<p>PROPRIETARY NOTICE NOTICE TO ALL PERSONS RECEIVING THIS INFORMATION: THE INFORMATION DISCLOSED HEREIN IS THE PROPERTY OF EATON CORPORATION AND SHALL NOT BE REPRODUCED, DISCLOSED OR USED IN ANY MANNER WITHOUT THE WRITTEN CONSENT OF EATON CORPORATION. COPYRIGHT EATON CORPORATION. ALL RIGHTS RESERVED.</p> <p>THIRD ANGLE PROJECTION</p> <p>○ = CRITICAL DIMENSION TO BE INSPECTED</p>	<p>UNLESS OTHERWISE SPECIFIED DIMENSIONS ARE IN INCHES</p> <p>TOLERANCES ARE:</p> <p>DECIMAL: .01</p> <p>ANGULAR: <math>\angle \pm 30'</math></p> <p>XX <math>\pm .005</math></p> <p>XXX <math>\pm .001</math></p> <p>XXXX</p> <p>MATL:</p> <p>FINISH:</p>	<p>DWN H. WEYMOUTH</p> <p>DATE 07/01/2007</p> <p>CHK ---</p> <p>ENG ---</p> <p>MFG ---</p> <p>OTHR ---</p> <p>SCALE: SHT 1 OF 1</p>	<p><b>EATON</b></p> <p>6500 HARBOUR HT'S PKWY SUITE 300 WA 98275 MUKILTEO (425) 349-5240</p> <p><b>E47 Compact Pre-Wired Pin Plunger Limit Switch</b></p> <p>SIZE DRAWING NO. <b>A</b> 90-26808-012 01</p> <p>AutocAD REV</p>
------	-----	-------------	-----	-----	-----	------	--	--	---	---

# E47BCC13



DATE	REV	DESCRIPTION	DWN	ENG	MFG	OTHR	SCALE:	SHT	OF	
-	-	-	-	-	-	-	1	1	1	
<p><b>PROPRIETARY NOTICE</b>          NOTICE TO ALL PERSONS RECEIVING THIS INFORMATION: THE INFORMATION DISCLOSED HEREIN IS THE PROPERTY OF EATON CORPORATION AND SHALL BE KEPT IN STRICT CONFIDENCE AND SHALL NOT BE REPRODUCED, DISCLOSED OR USED IN ANY MANNER WITHOUT THE WRITTEN CONSENT OF EATON CORPORATION. COPYRIGHT EATON CORPORATION. ALL RIGHTS RESERVED.</p>							<p>UNLESS OTHERWISE SPECIFIED DIMENSIONS ARE IN INCHES          TOLERANCES ARE:</p>		<p>DWN H. WEYMOUTH          DATE 07/01/2007</p>	
<p>THIRD ANGLE PROJECTION</p>							<p>DECIMAL: .01          .005          .001</p>		<p>CHK ---          ENG ---          MFG ---          OTHR ---</p>	
<p>CRITICAL DIMENSION TO BE INSPECTED</p>							<p>ANGULAR: <math>\angle \pm 30^\circ</math></p>		<p>AutoCAD</p>	
<p>FINISH:</p>							<p>MATL:</p>		<p>SIZE DRAWING NO. REV</p>	
<p>EATON</p>							<p>8500 HARBOUR HT'S PKWY          SUITE 300 WA 98275          MUKILTEO (425) 349-5240</p>		<p><b>E47 Compact Pre-Wired Bevel Plunger Limit Switch</b></p>	
<p>A 90-26808-013 01</p>							<p>SCALE: .</p>		<p>REV</p>	

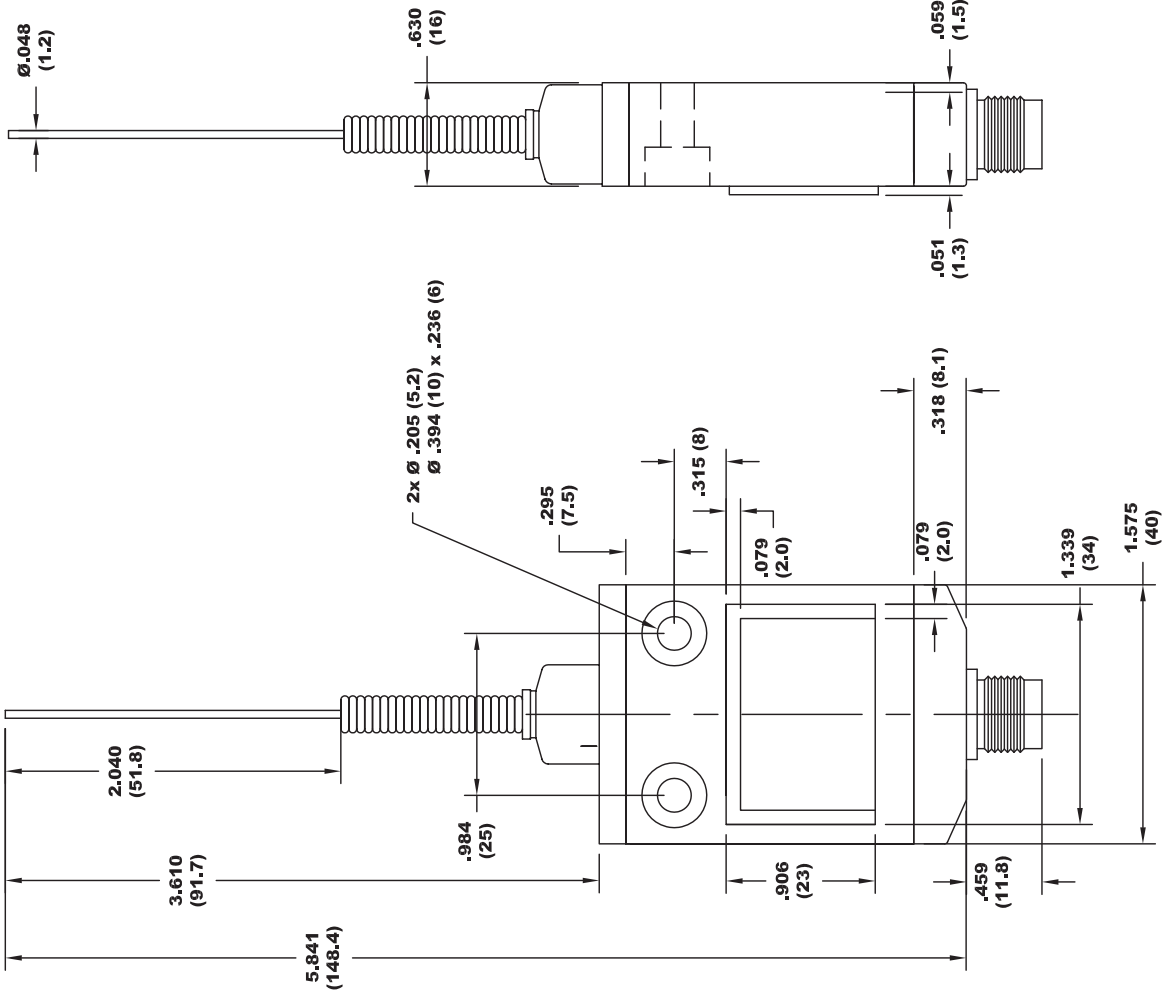






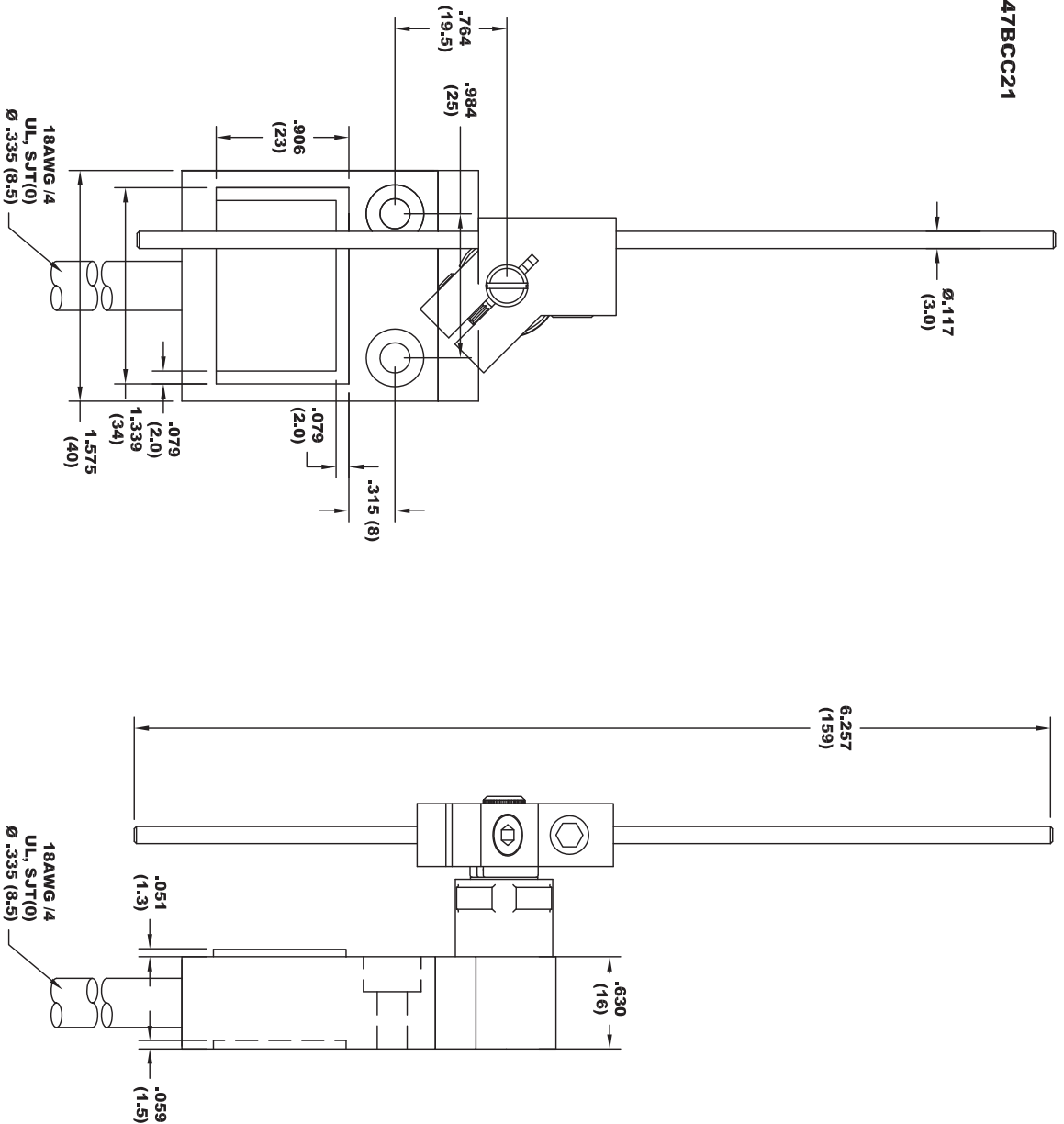


**E47BCC20P4**



DATE	REV	DESCRIPTION	DWN	ENG	MFG	OTHR	SCALE:	SHT	OF
-	-	-	-	-	-	-	1	1	1
<p><b>PROPRIETARY NOTICE</b>          NOTICE TO ALL PERSONS RECEIVING THIS INFORMATION: THE INFORMATION DISCLOSED HEREIN IS THE PROPERTY OF EATON CORPORATION AND SHALL BE DISCLOSED IN STRICT CONFIDENCE AND SHALL NOT BE REPRODUCED, DISCLOSED OR USED IN ANY MANNER WITHOUT THE WRITTEN CONSENT OF EATON CORPORATION. COPYRIGHT EATON CORPORATION. ALL RIGHTS RESERVED.</p>			<p>UNLESS OTHERWISE SPECIFIED DIMENSIONS ARE IN INCHES          TOLERANCES ARE:          DECIMAL: .01          ANGULAR: <math>\angle \pm 30^\circ</math></p>			<p>FINISH: .</p>			
<p>THIRD ANGLE PROJECTION</p>			<p>DATE: 07/01/2007</p>			<p>CHK: ---          ENG: ---          MFG: ---          OTHR: ---</p>			
<p>CRITICAL DIMENSION TO BE INSPECTED</p>			<p>DWN: H. WEYMOUTH</p>			<p>SIZE: A</p>			
<p>DESCRIPTION</p>			<p>E47 Compact Pre-Wired Pin Plunger Limit Switch</p>			<p>AutoCAD REV</p>			
<p>DRAWING NO.</p>			<p>90-26808-018</p>			<p>REV</p>			
<p>DATE</p>			<p>REV</p>			<p>98275</p>			
<p>DESCRIPTION</p>			<p>98275</p>			<p>425) 349-5240</p>			
<p>DWN</p>			<p>ENG</p>			<p>HT'S PKMY</p>			
<p>MFG</p>			<p>OTHR</p>			<p>SUITE 300 WA</p>			
<p>OTHR</p>			<p>OTHR</p>			<p>MUKILTEO</p>			
<p>SCALE</p>			<p>SCALE</p>			<p>(425) 349-5240</p>			

**E47BCC21**



DATE		REV	DESCRIPTION	DWN	ENG	MFG	OTHR	<b>PROPRIETARY NOTICE</b> NOTICE TO ALL PERSONS RECEIVING THIS INFORMATION, THE INFORMATION DISCLOSED HEREIN IS THE PROPERTY OF EATON CORPORATION AND SHALL NOT BE REPRODUCED OR USED IN ANY MANNER WITHOUT THE WRITTEN CONSENT OF EATON CORPORATION. COPYRIGHT EATON CORPORATION. ALL RIGHTS RESERVED. THIRD ANGLE PROJECTION		UNLESS OTHERWISE SPECIFIED DIMENSIONS ARE IN INCHES TOLERANCES ARE: DECIMAL: .01 .005 .001 ANGULAR: $\angle \pm 30'$		DWN	H.	WETMOUTH	DATE	07/01/2007	SCALE:	SHT	OF	REV
-	-	-	-	-	-	-	-	<input checked="" type="checkbox"/> = CRITICAL DIMENSION TO BE INSPECTED		XX	±	.01	∠	±30'	FINISH:					
-	-	-	-	-	-	-	-	THE INFORMATION DISCLOSED HEREIN IS THE PROPERTY OF EATON CORPORATION AND SHALL NOT BE REPRODUCED OR USED IN ANY MANNER WITHOUT THE WRITTEN CONSENT OF EATON CORPORATION. COPYRIGHT EATON CORPORATION. ALL RIGHTS RESERVED.		XXX	±	.005								
-	-	-	-	-	-	-	-	THIRD ANGLE PROJECTION		XXX	±	.001								
-	-	-	-	-	-	-	-	THIRD ANGLE PROJECTION		MATL:										
-	-	-	-	-	-	-	-	THIRD ANGLE PROJECTION		OTHER										
-	-	-	-	-	-	-	-	THIRD ANGLE PROJECTION		OTHER										
-	-	-	-	-	-	-	-	THIRD ANGLE PROJECTION		SCALE:										
-	-	-	-	-	-	-	-	THIRD ANGLE PROJECTION		SIZE	A									
-	-	-	-	-	-	-	-	THIRD ANGLE PROJECTION		DRAWING NO.	90-26808-019									
-	-	-	-	-	-	-	-	THIRD ANGLE PROJECTION		REV	01									

**EATON**  
 6500 HARBOUR HT'S PKWY  
 SUITE 120 WA 98275  
 (425) 349-5240

**E47 Compact Pre-Wired Pin Plunger Limit Switch**

Autocad  
 SIZE A  
 DRAWING NO. 90-26808-019  
 REV 01





