



HJS8 DUAL AXIS CONTROLLER

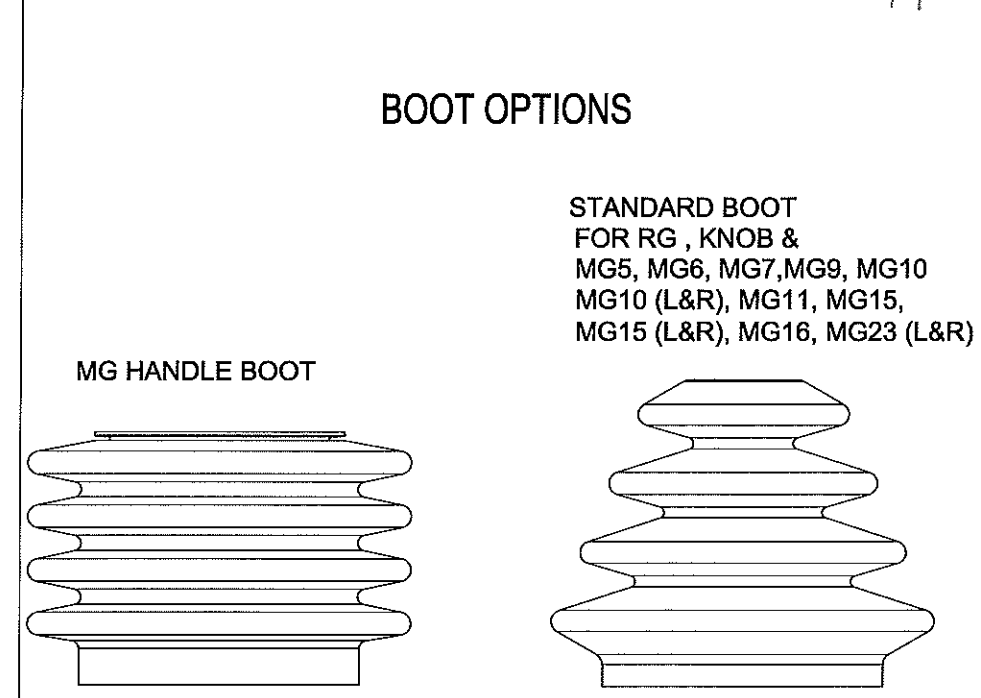
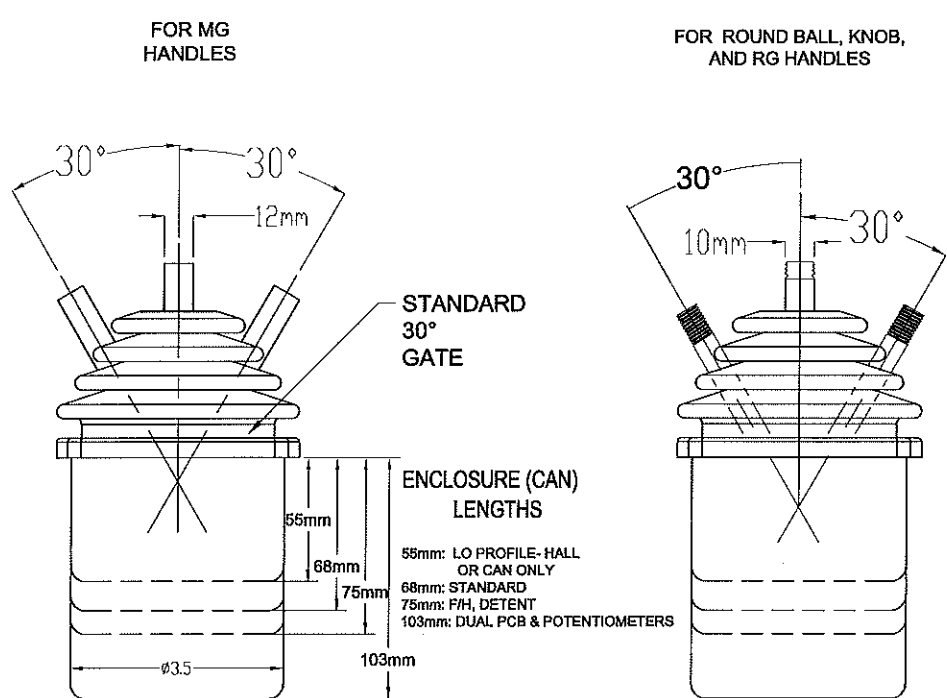
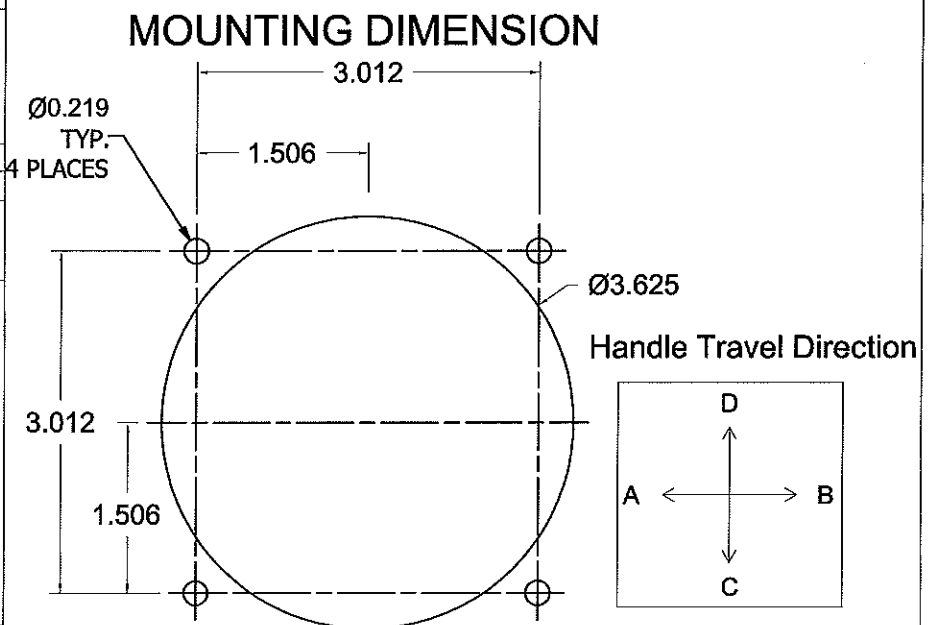
DATA SHEET

MECHANICAL OPTIONS

THIS DRAWING IS THE SOLE PROPERTY OF OEM CONTROLS INC., 10 CONTROLS DRIVE, SHELTON, CT 06484, USA. THIS DOCUMENT CONTAINS OEM PROPRIETARY INFORMATION. WRITTEN PERMISSION TO USE OR DISCLOSE ANY INFORMATION HEREIN MUST BE OBTAINED FROM OEM.

REVISIONS			
ZONE	REV	DESCRIPTION	DATE
C		S12 ADDED PER ECN#28913	MER*5/3/17
			APPROVED <i>[Signature]</i>

HANDLE OPERATION	
A-B AXIS	C-D AXIS
SPRING RETURN	
HEAVY DUTY SPRING RETURN	
LIGHT SPRING RETURN	
FRICTION HOLD & DETENT	
DETENT	
A-B AXIS	C-D AXIS
CENTER	
1 - 5 POSITION SPECIAL	
GATE OPTIONS	
CROSS GATE	
SINGLE AXIS	
SIMULTANEOUS	
SPECIAL	
EXAMPLE'S	



ELECTRICAL CONFIGURATIONS

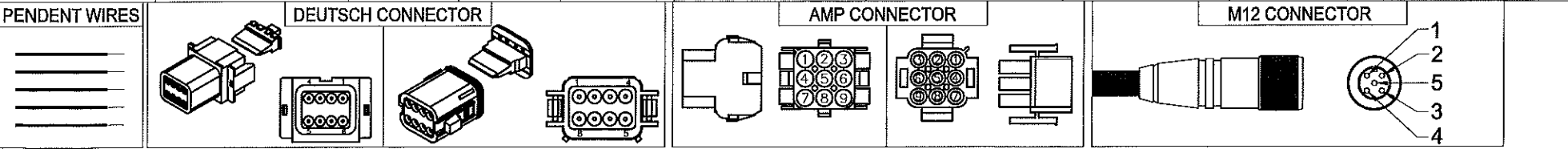
Name	Power Supply Range	Output Type	#Digital Inputs	#Analog Inputs	#Sourcing Digital Outputs	#Sinking Digital Outputs (thumper)	Handle Multiplex (Mux) Interface	Friction Hold Capable	ID Resistor Capable	Notes
OCI-31	9V - 32V	CAN Open (DS401), J1939	15*	5*	0	1	Yes	No	Yes	*Ten digital-only inputs plus five inputs that are either digital or analog
OCI-8	9V - 32V	CAN Open (DS401), J1939	6*	3*	2	0	Yes	Yes	Yes	*Three digital only inputs plus three inputs that are either digital or analog
OCI-5	9V - 32V	CAN Open (DS401), J1939	4	3*	4	1	No	No	Yes	*Analog inputs read a maximum voltage of 5V
OCI-3	9V - 32V	CAN Open (DS401), J1939	15*	1*	1	1	No	No	Yes	*Thirteen digital-only inputs plus one that is either a standard active high or active low digital input, and plus one that is either digital or analog

Analog Output	Tolerance
0V	(+0.1V), -0V
0V < OUT ≤ 4.5V	+/-0.1V
4.5V < OUT ≤ 6V	+/-0.15V
6V < OUT ≤ 8V	+/-0.2V
8V < OUT ≤ 10V	+/-0.25V
10V < OUT ≤ 12V	+/-0.3V
12V < OUT ≤ 14V	+/-0.35V
14V < OUT ≤ 16V	+/-0.4V
16V < OUT ≤ 18V	+/-0.45V
18V < OUT ≤ 20V	+/-0.5V
4mA ≤ OUT ≤ 12mA	+/-0.25mA
12mA < OUT ≤ 20mA	+/-0.50mA

Wiring Options: Pendent wires (6-12" Std) with Deutsch connectors, AMP connectors standard or Customer Specific. Direct can enclosure mount: 75mm or 103mm only Deutsch or AMP Std.

Power Supply Range	Output Type	#Digital Inputs	#Digital Outputs	#Analog Outputs	Analog Output Range	Ratiometric Output Capable	Friction Hold Capable	Notes
9V - 32V	Voltage Output	2	4	2	0V to Vbat - 1V*	Yes	Yes	*Actual Output values and curve shape set by software. Analog Output tolerances per chart on right.
9V - 30V	Voltage Output	2	4	2	0V to Vbat - 1V*	Yes	No	
9V - 32V	Voltage Output	2	2	2	-10V to +10V	No	No	
4.8V - 5.5V	Voltage Output	0	0	2	0V to Vbat -0.1V*	Yes	Yes	
9V - 30V	PLC Current Output	0	4	2	4mA to 20mA*	No	No	

Specs:
 IP rating: IP67
 Temperature Rating: -40 TO 60°C
 Mechanical life: 10 million cycles
 Max load: 300 lb *Tested with 12mm shaft
 EMC test per EN61000-4-3:2006 and ISO 11452-2



DRAWN BY	ALB	DATE	5-17-16
CHECKED	DDO		5/17/16
APVD ENG.			
APVD DESN			
APVD SALES			
PROJECTION:			

OEM CONTROLS
 10 Controls Drive - Shelton, CT 06484
 Phone: (203) 929-8431 Fax: (203) 929-3867

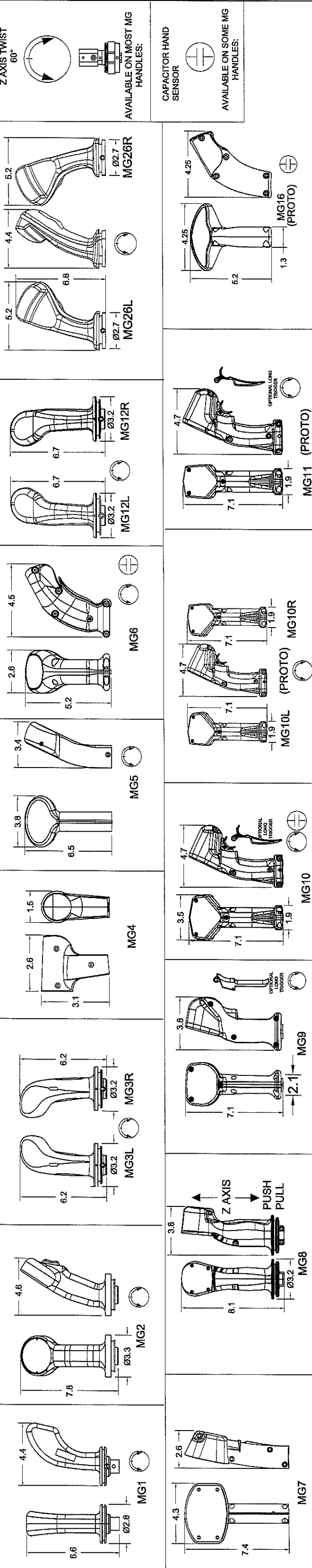
MG HANDLE OPTIONS

ALL DIMENSIONS SHOWN ARE IN INCHES UNLESS OTHERWISE STATED

THIS DRAWING IS THE SOLE PROPERTY OF OEM CONTROLS INC., 10 CONTROLS DRIVE, SHELTON, CT 06484, USA. THIS DOCUMENT CONTAINS OEM PROPRIETARY INFORMATION. WRITTEN PERMISSION TO USE OR DISCLOSE ANY INFORMATION HEREIN MUST BE OBTAINED FROM OEM.

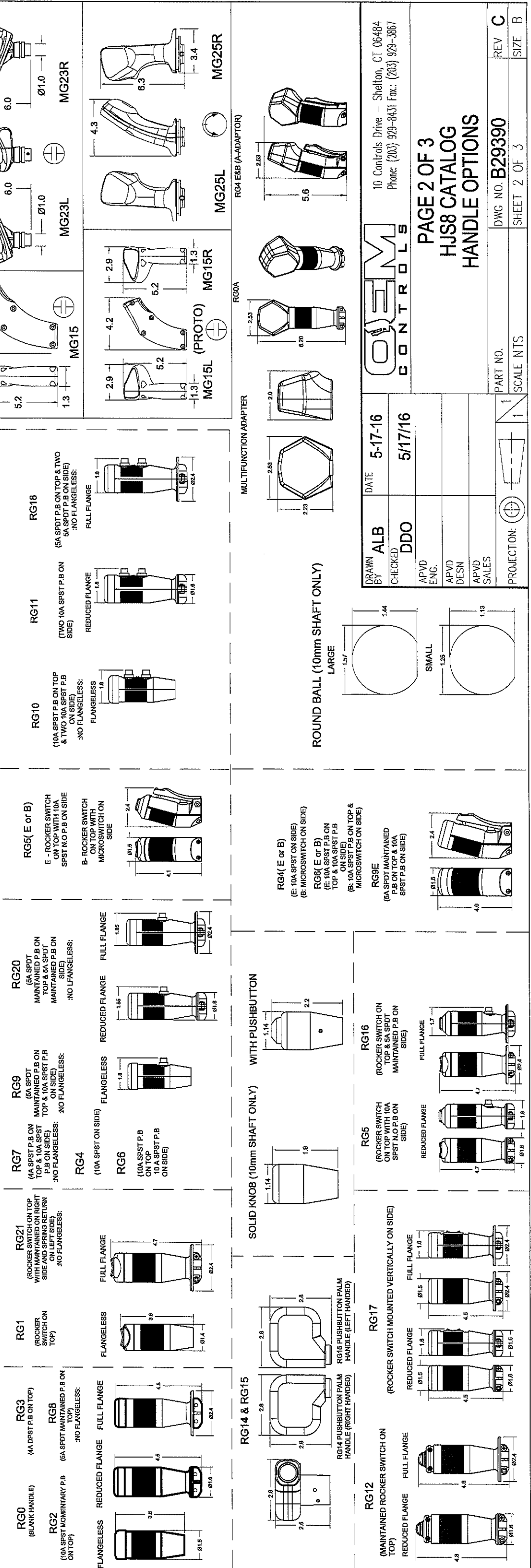
REVISIONS

ZONE	REV	DESCRIPTION	DATE	APPROVED BY
C	S12	ADDED PER ECN#28913	MER*5/3/17	[Signature]



RG HANDLE OPTIONS

ALL RG HANDLES ARE AVAILABLE IN FLANGELESS, REDUCED, OR FULL FLANGE CONFIGURATIONS



OEM CONTROLS

10 Controls Drive - Shelton, CT 06484
 Phone: (203) 929-8431 Fax: (203) 929-3867

PAGE 2 OF 3
HJS8 CATALOG
HANDLE OPTIONS

DWG NO. B29390
 SHEET 2 OF 3

DATE: 5-17-16
 5/17/16

PROJECTION: [Symbol]

SCALE: NTS

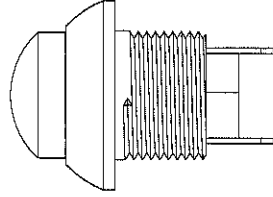
PART NO. [Symbol]

REV C
 SIZE B

THIS DRAWING IS THE SOLE PROPERTY OF OEM CONTROLS INC., 10 CONTROLS DRIVE, SHELTON, CT 06484, USA. THIS DOCUMENT CONTAINS OEM PROPRIETARY INFORMATION. WRITTEN PERMISSION TO USE OR DISCLOSE ANY INFORMATION HEREIN MUST BE OBTAINED FROM OEM.

STANDARD COMPONENTS SHOWN. OTHERS AVAILABLE UPON REQUEST

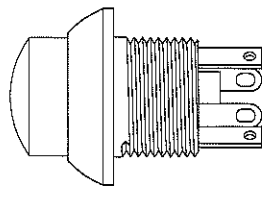
RAISED DOME PUSHBUTTON (SPST)



AVAILABLE COLORS

- RED
- BLACK
- YELLOW
- WHITE
- GRAY
- ORANGE

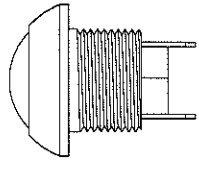
RAISED DOME PUSHBUTTON (SPDT)



AVAILABLE COLORS

- WHITE
- YELLOW
- GRAY
- ORANGE
- BLUE
- GREEN

FLUSH DOME PUSHBUTTON



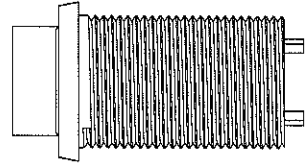
AVAILABLE COLORS

- YELLOW
- RED
- BLUE
- GREEN
- BLACK

PROPORTIONAL PUSHBUTTON

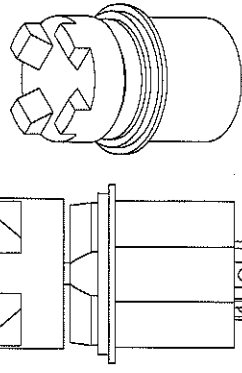
AVAILABLE COLORS

- WHITE
- BLACK

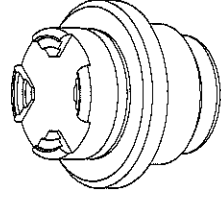


OUTPUT 1: 0.5V - 4.5V
OUTPUT 2: 4.5V - 0.5V

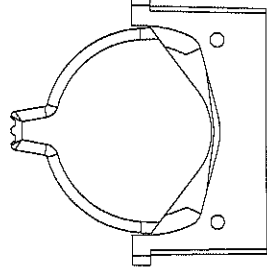
4 WAY ROCKER AVAILABLE OPTIONS



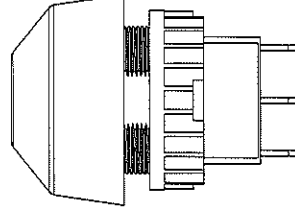
- TACTILE
- NO TACTILE



OTHER OPTIONS

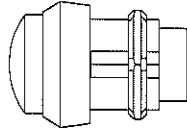


S12 SWITCH

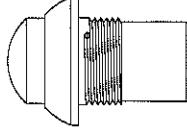


PUSHBUTTON WITH MINI MICRO

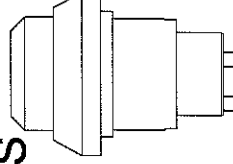
HALL EFFECT (ON/OFF) PUSHBUTTONS



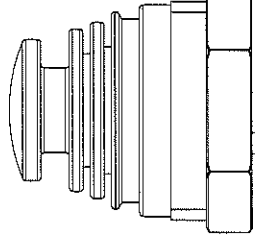
HALL EFFECT



TACTILE/NO TACTILE

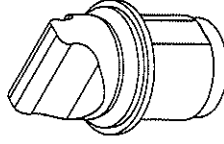


RAISED & FLUSH DOME

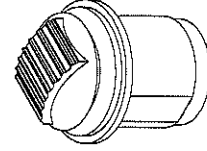


JS20 (SEE MAIN CATALOG)

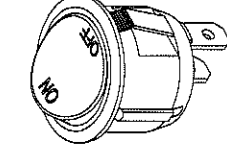
ROCKER SWITCHES



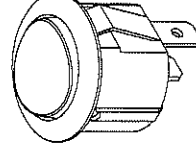
- OPTIONS
- MOM-OFF-MOM
 - MAINT ON-ON
 - MAINT ON-OFF-ON



- OPTIONS
- MOM-OFF-MOM
 - MAINT ON-ON
 - MAINT ON-OFF-ON

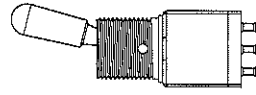


- OPTIONS
- ON-OFF

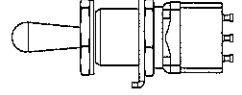


- OPTIONS
- MOM-OFF-MOM
 - MA-OFF-MA
 - GREEN AND RED LED AVAILABLE

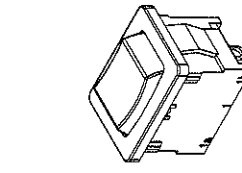
TOGGLE SWITCHES



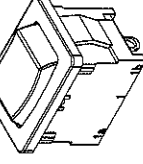
MOM-OFF-MOM



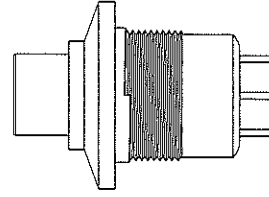
MAINT ON-ON



MAINT ON-OFF-ON



- OPTIONS
- MOM-MOM
 - MAINT-OFF-MAINT



MAINTAINED PUSHBUTTON

AVAILABLE COLORS

- BLACK
- WHITE

ZONE	REV	DESCRIPTION	DATE	APPROVED
C	S12	ADDED PER ECN#28913	MER*5/3/17	<i>[Signature]</i>

DRAWN BY	ALB	DATE	5-17-16
CHECKED	DDO	DATE	5/17/16
APVD ENG.			
APVD DESN			
APVD SALES			
PROJECTION:			
		1	1
		1	1

10 Controls Drive - Shelton, CT 06484
Phone: (203) 929-8431 Fax: (203) 929-3667

OEM
CONTROLS

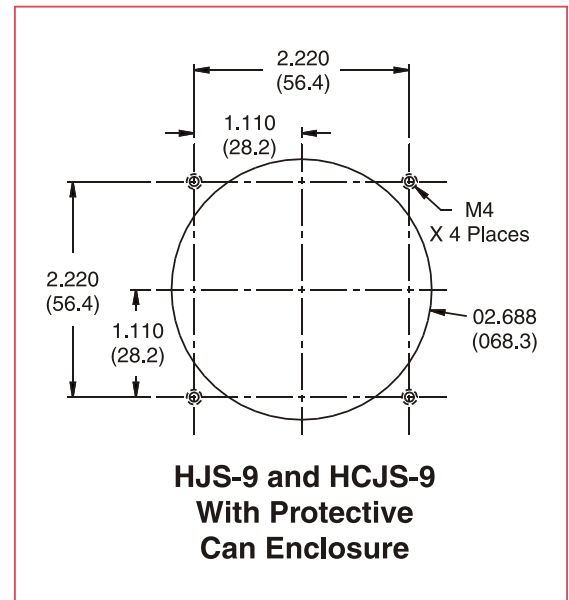
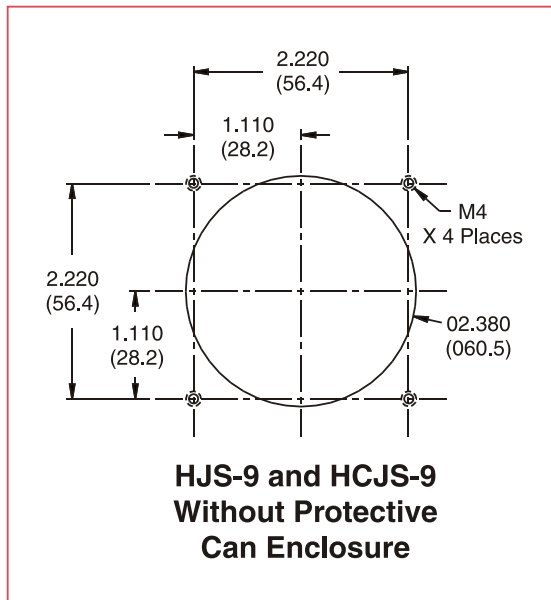
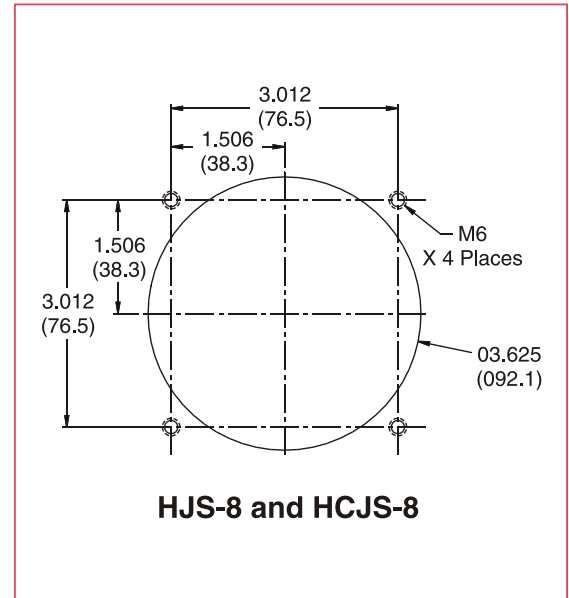
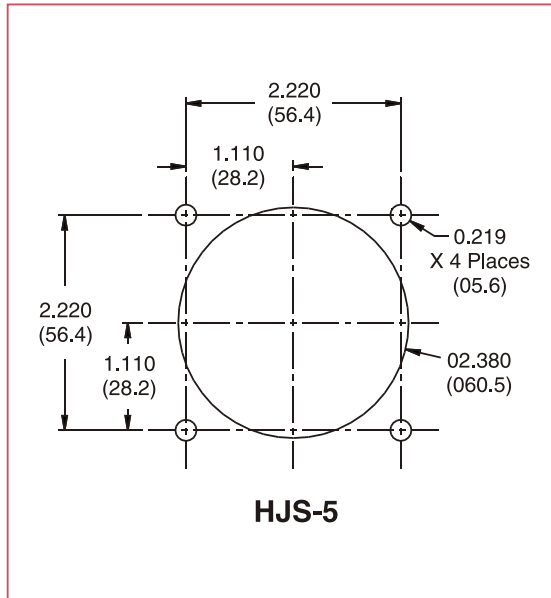
PAGE 3 OF 3
HJS8 CATALOG
HANDLE COMPONENT OPTIONS

DWG NO. B29390
SHEET 3 OF 3

REV C
SIZE B

Panel Mounting Dimensions

HJS-5, HJS-8, HCJS-8, HJS-9 and HCJS-9 Multiple-Axis Controllers



- Notes:**
1. **DO NOT** use acidic cure silicone to seal enclosures. If sealing is required, use GE Silicone II or equivalent.
 2. When ordering spare parts, please provide the controller part number for which they are being used.
 3. If controller provided comes with friction hold, the force to move the handle is not adjustable on HMS-7 products.
 4. The information contained in this bulletin is for reference only and is subject to change without notice.

WARNING: It is the purchaser's responsibility to determine the suitability of any OEM Controls product for an intended application, and to insure that it is installed and guarded in accordance with all federal, state, local and private safety and health regulations, codes and standards.

Due to the unlimited variety of machines, vehicles and equipment on which our controls are used, and the numerous standards which are frequently the subject of varying interpretation, it is impossible for OEM Controls personnel to provide expert advice regarding the suitability of a given controller for a specific application. The flexibility of our products allows us to offer thousands of custom configurations. We can advise you of the various features that are available and you can examine models to see what meets your needs. We believe our customers' engineering departments should be the qualified experts in their own product field. If the product will be used in a safety critical application, the customer must undertake appropriate testing and evaluation to prevent injury to the ultimate user.

Should you have any questions or if any of the above warning is unclear, please contact OEM Controls at 10 Controls Drive, Shelton, CT 06484, FAX: 203.929.3867, TEL: 203.929.8431.



10 Controls Drive • Shelton, CT 06484

Phone: 203.929.8431

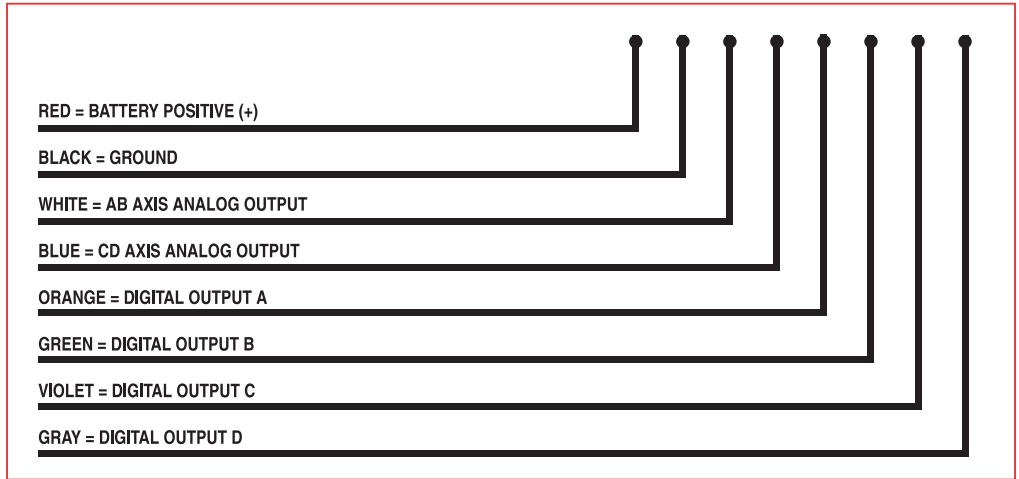
Telefax: 203.929.3867

Internet: www.oemcontrols.com

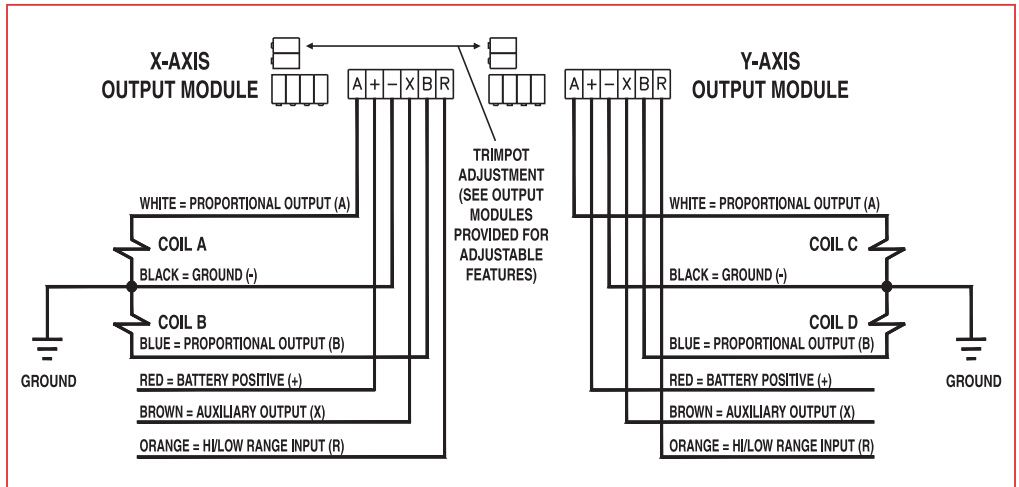
OEM Standard Electrical Wiring Hook-up HJS, HCJS and HEJS Multiple-Axis Controllers

Note: Wiring shown is for standard configuration only, custom wiring may vary.

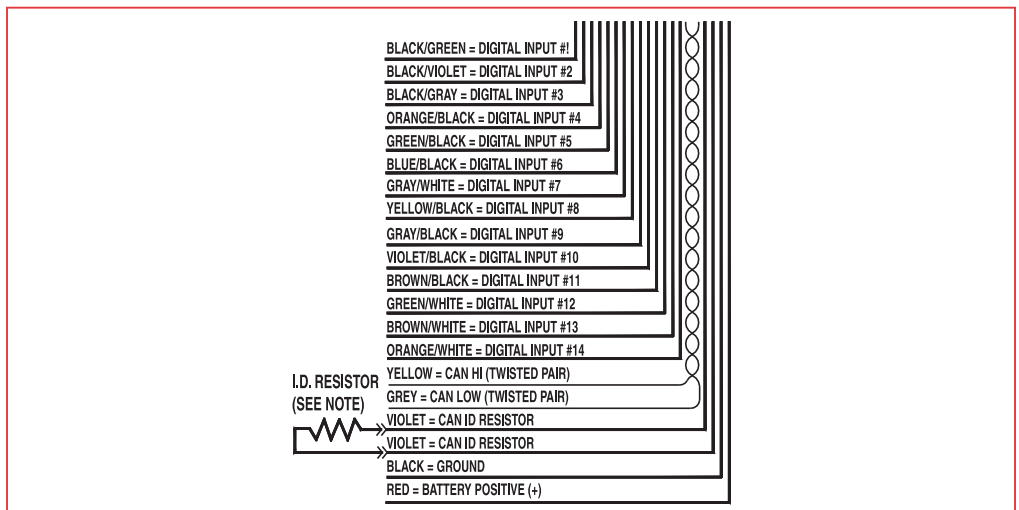
HJS



HEJS

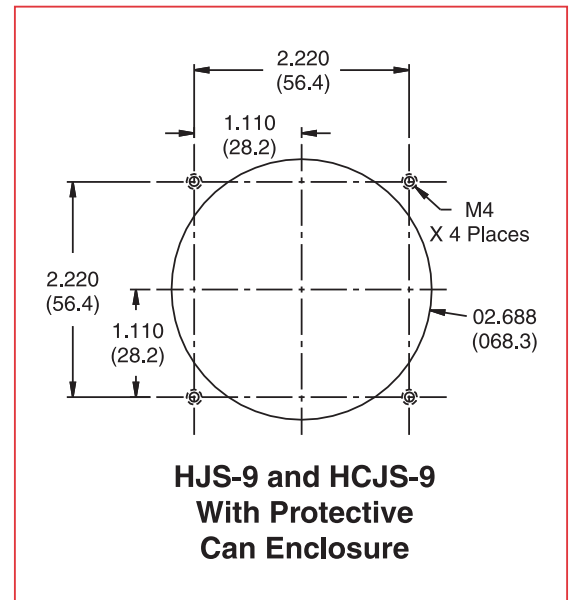
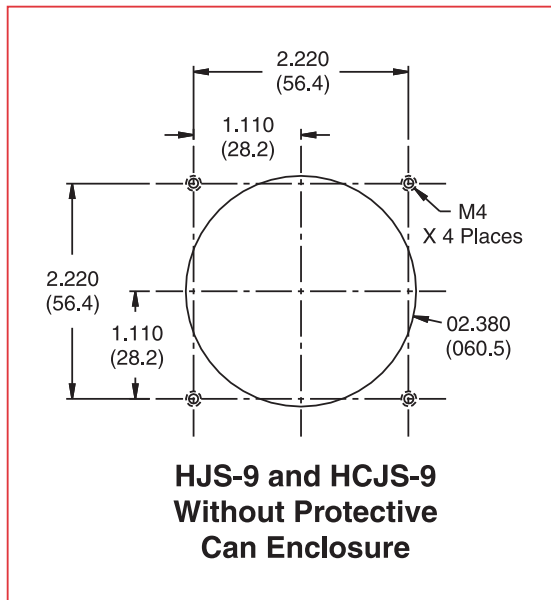
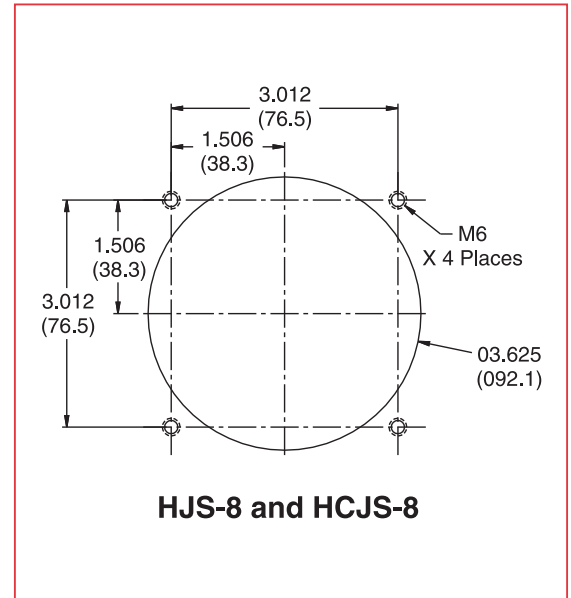
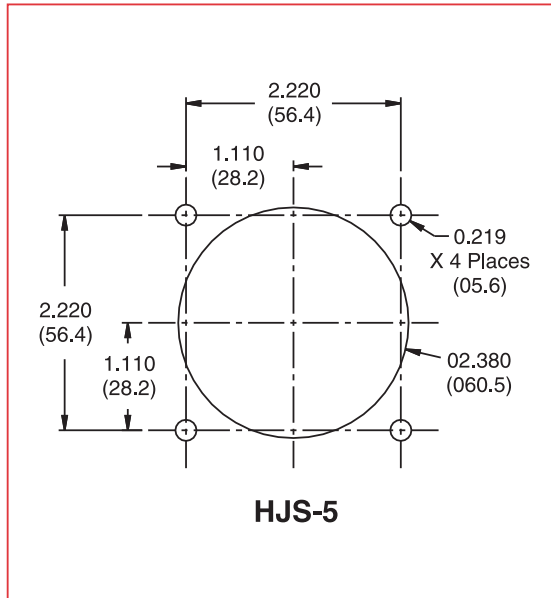


HCJS



Panel Mounting Dimensions

HJS-5, HJS-8, HCJS-8, HJS-9 and HCJS-9 Multiple-Axis Controllers



- Notes:**
1. **DO NOT** use acidic cure silicone to seal enclosures. If sealing is required, use GE Silicone II or equivalent.
 2. When ordering spare parts, please provide the controller part number for which they are being used.
 3. If controller provided comes with friction hold, the force to move the handle is not adjustable on HMS-7 products.
 4. The information contained in this bulletin is for reference only and is subject to change without notice.

WARNING: It is the purchaser's responsibility to determine the suitability of any OEM Controls product for an intended application, and to ensure that it is installed and guarded in accordance with all federal, state, local and private safety and health regulations, codes and standards.

Due to the unlimited variety of machines, vehicles and equipment on which our controls are used, and the numerous standards which are frequently the subject of varying interpretation, it is impossible for OEM Controls personnel to provide expert advice regarding the suitability of a given controller for a specific application. The flexibility of our products allows us to offer thousands of custom configurations. We can advise you of the various features that are available and you can examine models to see what meets your needs. We believe our customers' engineering departments should be the qualified experts in their own product field. If the product will be used in a safety critical application, the customer must undertake appropriate testing and evaluation to prevent injury to the ultimate user.

Should you have any questions or if any of the above warning is unclear, please contact OEM Controls at 10 Controls Drive, Shelton, CT 06484, FAX: 203.929.3867, TEL: 203.929.8431.



10 Controls Drive • Shelton, CT 06484

Phone: 203.929.8431

Telefax: 203.929.3867

Internet: www.oemcontrols.com