



# CUSTOMIZABLE SEAT ASSEMBLIES

*Different Controls  
Consistent Solutions*

## YOUR TRUSTED RESOURCE

GS Global Resources is trusted by OEMs who demand a competitive advantage for every solution. From system and component design to production and market support, we help OEMs interpret, adapt, and adopt technology. Solving OEM challenges at the intersection of fluid power and electronic control, our customers profit from our continuous technology and innovation transfer.

### PERFORMANCE

Access to the foremost machine performance resource trusted by OEMs ensuring a competitive advantage from every solution.

### PROFITABILITY

Continuous technology and innovation transfer through a single point of accountability provides OEMs unmatched value.

### PRAGMATIC

Problem solvers, renowned by our customers, we relentlessly pursue and develop fresh ideas to benefit OEMs.

### TALENT

Rare technical talent, scalability, and flexibility, coupled with incomparable ability to understand and overcome OEM challenges.

### CONFIDENCE

Support to help OEMs best integrate and utilize technology from system and component design to production and market support.

### VALUE

A rare combination of speed to market, improved safety, higher productivity, greater predictability and unbeatable efficiency.

### COMMITMENT

A comprehensive resource where the complex simplifies. Where peace of mind and mutual respect grow relationships. Where competitive advantage and machine performance improve—every time.



# CUSTOMIZABLE OPERATOR CONTROL STATIONS

For Maximum Comfort & Productivity

Heavy equipment operators are in the seat of their machine & utilizing its controls for extended periods of time. A well thought-out seat design, taking into consideration suspension, integrated controls, & materials, is crucial to the overall human machine interface (HMI). At GS Global Resources, we have experience with variations and customizations of every aspect of a seat and its functionality. We take the time to fully understand your safety concerns, desired base level of comfort, and branding standards to create a complete solution that seamlessly integrates into your machine. And perhaps most importantly, our engineering team will work with you to design innovative and efficient controls, including custom joysticks, ergonomic armrests, programmable displays and more to optimize machine control and operator efficiency.



# SCALABLE SOLUTIONS

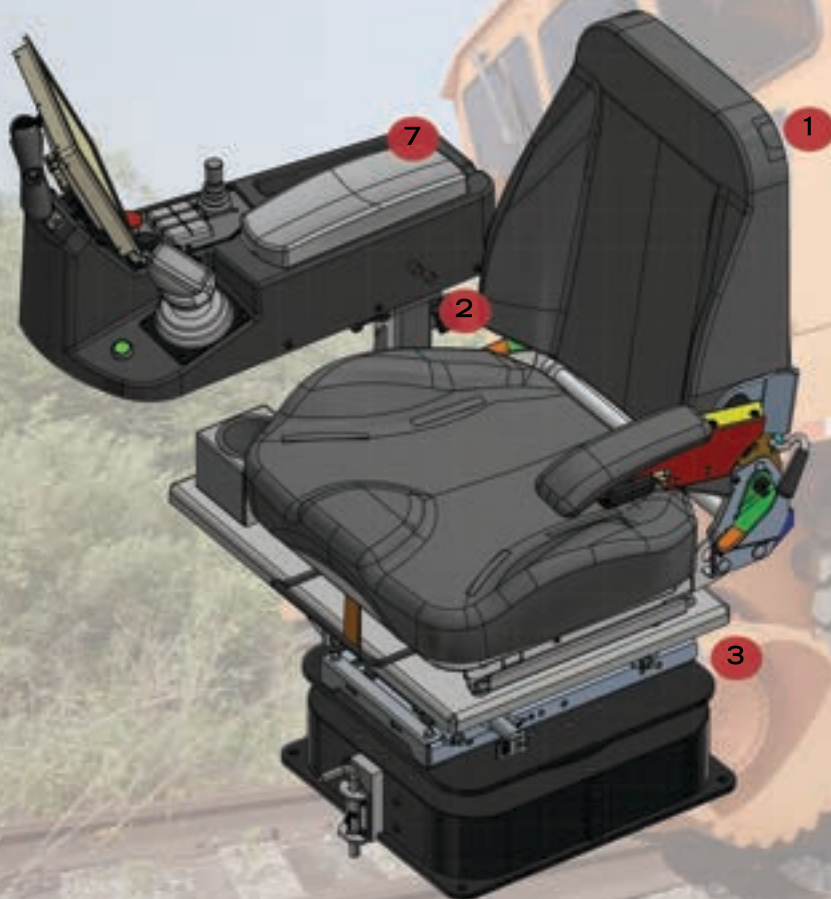
To Create Consistency Across a Machine Line

1	Mechanical Seat
2	Custom Dual Axis Joystick
3	Custom Dual Slider Joystick
4	Angled, Ergonomic Joystick Mounting Bracket



1	Air Ride Seat
2	Custom Joystick Assembly
3	Custom Joystick Pod with CAN Rocker Switches
4	Multi Adjustable Armrest
5	Proportional Thumb Slider on Joysticks





1	Air Ride Seat
2	Heavy Duty Welded Support Sub Structure
3	Power Rotational Function
4	Custom Ergonomic Joystick Assembly
5	Attached Programmable 12 in. Touch Screen Display
6	Custom Switch Panels, Fingertip Controls, & E-Stop
7	Storage Compartment Under Armrest with Power Outlets

# OPTIMAL ERGONOMICS

Decreasing Fatigue & Improving Overall Experience



1	Air Ride Seat
2	Heavy Duty Welded Support Sub Structure
3	Park Brake & Hazard Light
4	4 Single Axis CAN Based Joysticks
5	E-Stop Function

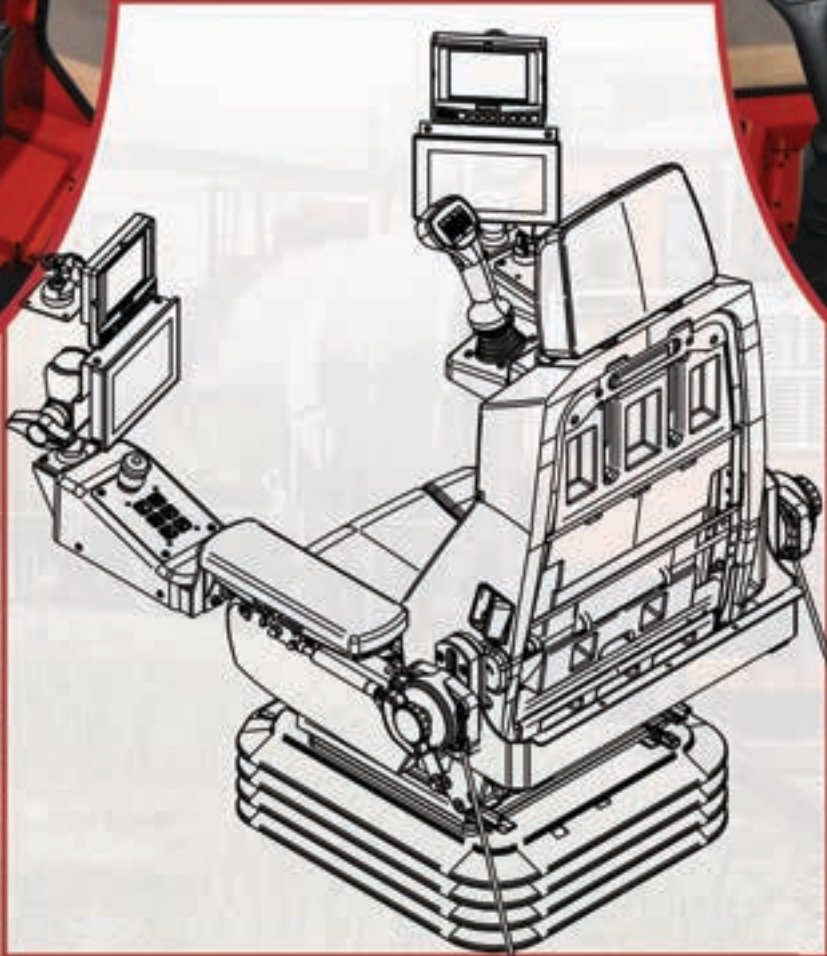
# DESIGNED FOR YOUR APPLICATION

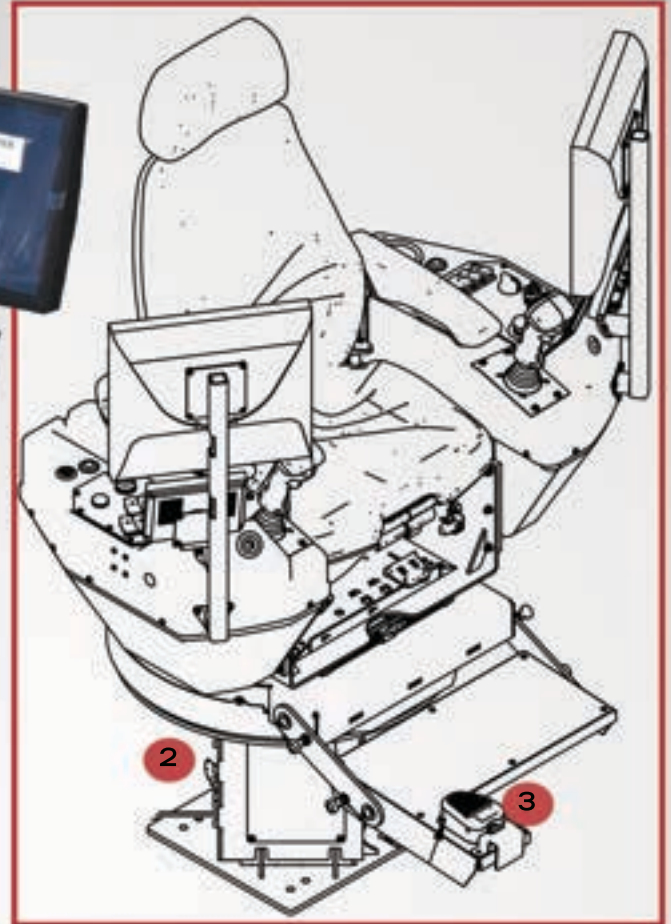
Considering Specific Environmental & Safety Needs

1	Heated Air Ride Seat
2	Height Adjustable Armrest Assembly
3	26 LED CAN Push Buttons
4	A Post Pillar Attached Programmable Touch Screen Display
5	Custom Printed Circuit Board with Push Button Rotary Sensors
6	Storage Compartment Under Armrest with Power Outlets

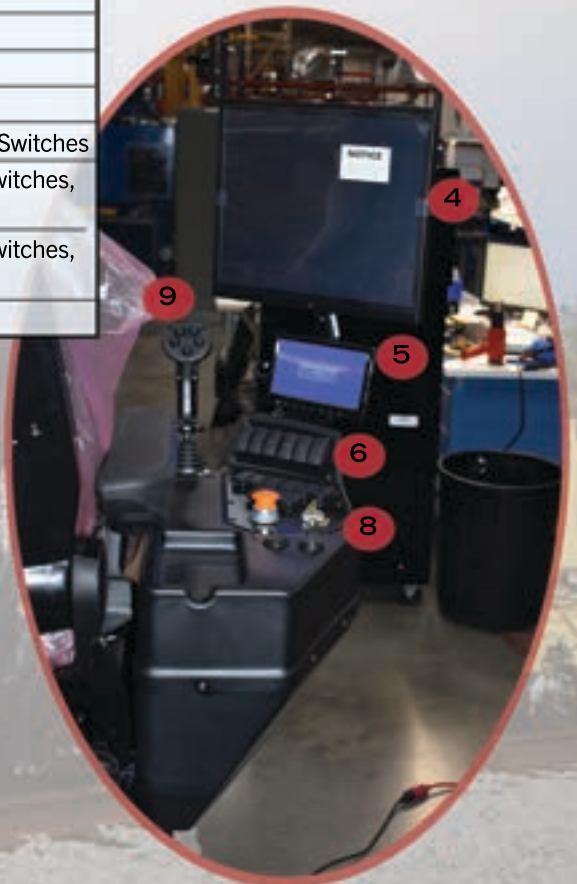


1	180 Degree Air Ride Swivel Seat
2	5 Inch LCD Backup System Monitor
3	RAM Mounted 7 inch Touch Screen
4	Emergency Stop
5	6 Button Functional Switch Panel
6	CAN Joystick with G3-C Handle
7	8 Button Functional Switch Panel





1	Air Ride Seat Assembly
2	Power Rotation & Lifting Functionality
3	Foot Switch
4	17 In Touch Screen Monitor
5	7 Inch LCD Color Monitor
6	Custom Switch Plate with 6 CAN Rocker Switches
7	Custom Switch Plate with CAN Rocker Switches, 4-Position Rotary Switch
8	Custom Switch Plate with CAN Rocker Switches, Ignition Key, & Push Pull Control
9	J1939 CAN Joystick with Custom Handle



# COMPLETE MACHINE CONTROL

With Extensive Custom, Programmable Components



1	Air Ride Seat
2	Dual Axis CAN Joystick
3	3 On/Off Rocker Switches
4	Custom Joystick Pod
5	12 LED Push Button Switch Panel
6	Custom Switch Panel with Push Buttons, USBs & E-Stop
7	Programmable Control Display



## ABOUT GS GLOBAL RESOURCES

GS Global Resources is the foremost machine performance resource. We are trusted by the world's most recognizable OEMs who demand a competitive advantage from every solution. Our integrated application solutions perform for the life of the machine, and for the lives of the people who touch it.

From system and component design to production and market support, GS Global Resources helps OEMs interpret, adapt, and adopt technology.

Our leading engineering minds in hydraulic, electronic, mechanical and software applications simplify the complex. We use innovative & reliable technologies to speed solutions to market. Whether reacting to market forces or changing markets altogether, GS Global Resources is essential to achieving total machine performance.



## CONTACT

Please visit [GSGlobalResources.com](http://GSGlobalResources.com) or contact us directly for more information. Our dedicated team of long-term, invested employees look forward to working with you.

926 Perkins Drive  
Mukwonago, WI 53149

1-262-378-5200 Main Phone  
1-262-378-5400 Main Fax  
1-800-261-8735 Toll Free  
[sales@gsg.com](mailto:sales@gsg.com) E-Mail Us

## AFFILIATIONS

ADC Equipment Innovations  
7102 Zinser Street  
Weston, WI 54476

1-920-975-1200 Main Phone  
1-715-355-4440 Main Fax  
[http://adcequipmentinnovations.com/  
sales@adcequipment.com](http://adcequipmentinnovations.com/sales@adcequipment.com) E-Mail Us



GS Global Resources • 1-800-261-8735 • [GSGlobalResources.com](http://GSGlobalResources.com)

926 Perkins Drive, Mukwonago WI 53149

© Copyright 2021 GS Global Resources, Inc. All Rights Reserved.